



1 Watt RF Load Up to 18 GHz With SMA
Female Input Passivated Stainless Steel

RF Terminations Technical Data Sheet

PE6073

Features

- DC to 18 GHz Frequency Range
- VSWR 1.25:1 Max
- Max Power 1 Watt (CW)
- SMA Female Coaxial Interface

Applications

- Wireless
- SatCom
- Radar Systems
- Test and Measurement
- Commercial and Military Communication

Description

Pasternack's PE6073 is an RF termination (also called RF load or dummy load) that operates from DC to 18 GHz and handles up to 1 Watt (CW). Our SMA termination / load has a female gender. PE6073 SMA load termination offers 1.25:1 max VSWR. RF load / terminations are indispensable components in many RF, microwave and millimeter wave systems where signal reflection from unused ports can potentially damage the device or reduce the signal integrity. By using a terminator on an unused port with a matched load (dummy load), the incident energy will be absorbed with minimal reflection. These termination components are commonly used to terminate devices such as couplers, circulators, and switches. They are also widely used in measurement systems to ensure accurate results. Pasternack offers a huge selection of RF, microwave and millimeter wave terminations up to 65 GHz with excellent performance over the entire operating range and power handling capabilities up to 800 Watt (CW).

Electrical Specifications

Description	Minimum	Typical	Maximum	Units
Frequency Range	DC		18	GHz
Impedance		50		Ohms
VSWR			1.25:1	
Input Power (CW) derated linearly to 0W at +125°C			1	Watts
Input Power (Peak) 5µs pulse, 0.05% duty cycle			1	KWatts

Mechanical Specifications

Size	
Length	0.54 in [13.72 mm]
Width	0.25 in [6.35 mm]
Weight	0.006 lbs [2.72 g]

Configuration

Connector	SMA Female
Connector Specification	MIL-STD-348

Click the following link (or enter part number in "SEARCH" on website) to obtain additional part information including price, inventory and certifications: [1 Watt RF Load Up to 18 GHz With SMA Female Input Passivated Stainless Steel PE6073](#)



1 Watt RF Load Up to 18 GHz With SMA
Female Input Passivated Stainless Steel

RF Terminations Technical Data Sheet

PE6073

Material Specifications

Description	Material	Plating
Connector 1 Contact	Beryllium Copper	Gold
Body	Passivated Stainless Steel	
Housing	Passivated Stainless Steel	

Environmental Specifications

Temperature

Operating Range -65 to +125 deg C

Compliance Certifications (visit www.Pasternack.com for current document)

RoHS Compliant

REACH Compliant 12/17/2015

Plotted and Other Data

Notes:

1 Watt RF Load Up to 18 GHz With SMA Female Input Passivated Stainless Steel from Pasternack Enterprises has same day shipment for domestic and International orders. Our RF, microwave and millimeter wave products maintain a 99% availability and are part of the broadest selection in the industry.

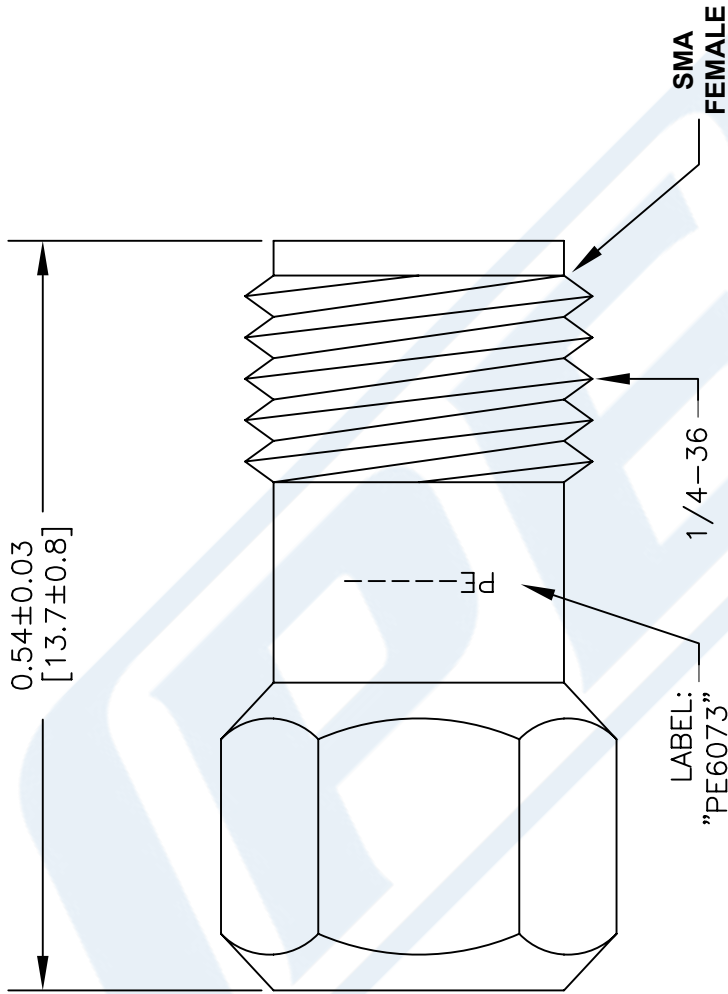
Click the following link (or enter part number in "SEARCH" on website) to obtain additional part information including price, inventory and certifications: [1 Watt RF Load Up to 18 GHz With SMA Female Input Passivated Stainless Steel PE6073](#)

URL: <http://www.pasternack.com/1-watts-sma-female-rf-load-up-to-18-ghz-precision-pe6073-p.aspx>

The information contained in this document is accurate to the best of our knowledge and representative of the part described herein. It may be necessary to make modifications to the part and/or the documentation of the part, in order to implement improvements. Pasternack reserves the right to make such changes as required. Unless otherwise stated, all specifications are nominal. Pasternack does not make any representation or warranty regarding the suitability of the part described herein for any particular purpose, and Pasternack does not assume any liability arising out of the use of any part or documentation.

PE6073 CAD Drawing

1 Watt RF Load Up to 18 GHz With SMA Female Input Passivated Stainless Steel



STANDARD TOLERANCES

DECIMAL
 .XX ± 0.01
 .XXX ± 0.005

*STANDARD TOLERANCES APPLY ONLY TO DIMENSIONS IN INCHES



Pasternack Enterprises, Inc.
 P.O. Box 16759 | Irvine | CA | 92623
Phone: (949) 261-1920 | **Fax:** (949) 261-7451
Website: www.pasternack.com | **E-Mail:** sales@pasternack.com

DWG TITLE

PE6073

NOTES:
 1. UNLESS OTHERWISE SPECIFIED ALL DIMENSIONS ARE NOMINAL.
 2. ALL SPECIFICATIONS ARE SUBJECT TO CHANGE WITHOUT NOTICE AT ANY TIME.
 3. DIMENSIONS ARE IN INCHES [mm].

FSCM NO. 53919

CAD FILE 052516

SCALE N/A

SIZE A

3045