



## In-Line Surge Protector 50 Ohm N Female to N Female Surge Protector

### TECHNICAL DATA SHEET

PE7301-1

#### In-Line Surge Protector 50 Ohm N Female to N Female Surge Protector

##### Configuration

Design	In-Line Surge Protector
Impedance	50 Ohms
Connector 1	N Female
Connector 2	N Female

##### Electrical Specifications

Frequency Range, GHz	DC to 3
Impedance, Ohms	50
Maximum Insertion Loss, dB	0.5
Maximum Input Power, Watts	200
Maximum DC Voltage, Volts	150
Firing Point	350V ±15% @ <100V/S>1000@5kv/µsRise
Breakdown Voltage, Vdc	30
Surge Current, Amps	5,000

##### Frequency 1

Frequency, MHz	DC to 1,000
VSWR	1.1:1
Insertion Loss, dB	0.1

##### Frequency 2

Frequency, GHz	1 to 2
VSWR	1.3:1
Insertion Loss, dB	0.2

##### Frequency 3

Frequency, GHz	2 to 3
Insertion Loss, dB	0.5

##### Mechanical Specifications

###### Size

Length, in [mm]	2.372 [60.25]
Width/Dia., in [mm]	1 [25.4]
Height, in [mm]	2.625 [66.68]

###### Connector 1

Type	N Female
------	----------

###### Connector 2

Type	N Female
------	----------

Click the following link (or enter part number in "SEARCH" on website) to obtain additional part information including price, inventory and certifications: [In-Line Surge Protector 50 Ohm N Female to N Female Surge Protector PE7301-1](#)

The information contained in this document is accurate to the best of our knowledge and representative of the part described herein. It may be necessary to make modifications to the part and/or the documentation of the part, in order to implement improvements. Pasternack reserves the right to make such changes as required. Unless otherwise stated, all specifications are nominal.





## In-Line Surge Protector 50 Ohm N Female to N Female Surge Protector

### TECHNICAL DATA SHEET

PE7301-1

**Compliance Certifications** (visit [www.Pasternack.com](http://www.Pasternack.com) for current document)

#### Plotted and Other Data

Notes:

Values at 25 °C, sea level

In-Line Surge Protector 50 Ohm N Female to N Female Surge Protector from Pasternack Enterprises has same day shipment for domestic and International orders. Our RF, microwave and fiber optic products maintain a 99% availability and are part of the broadest selection in the industry.

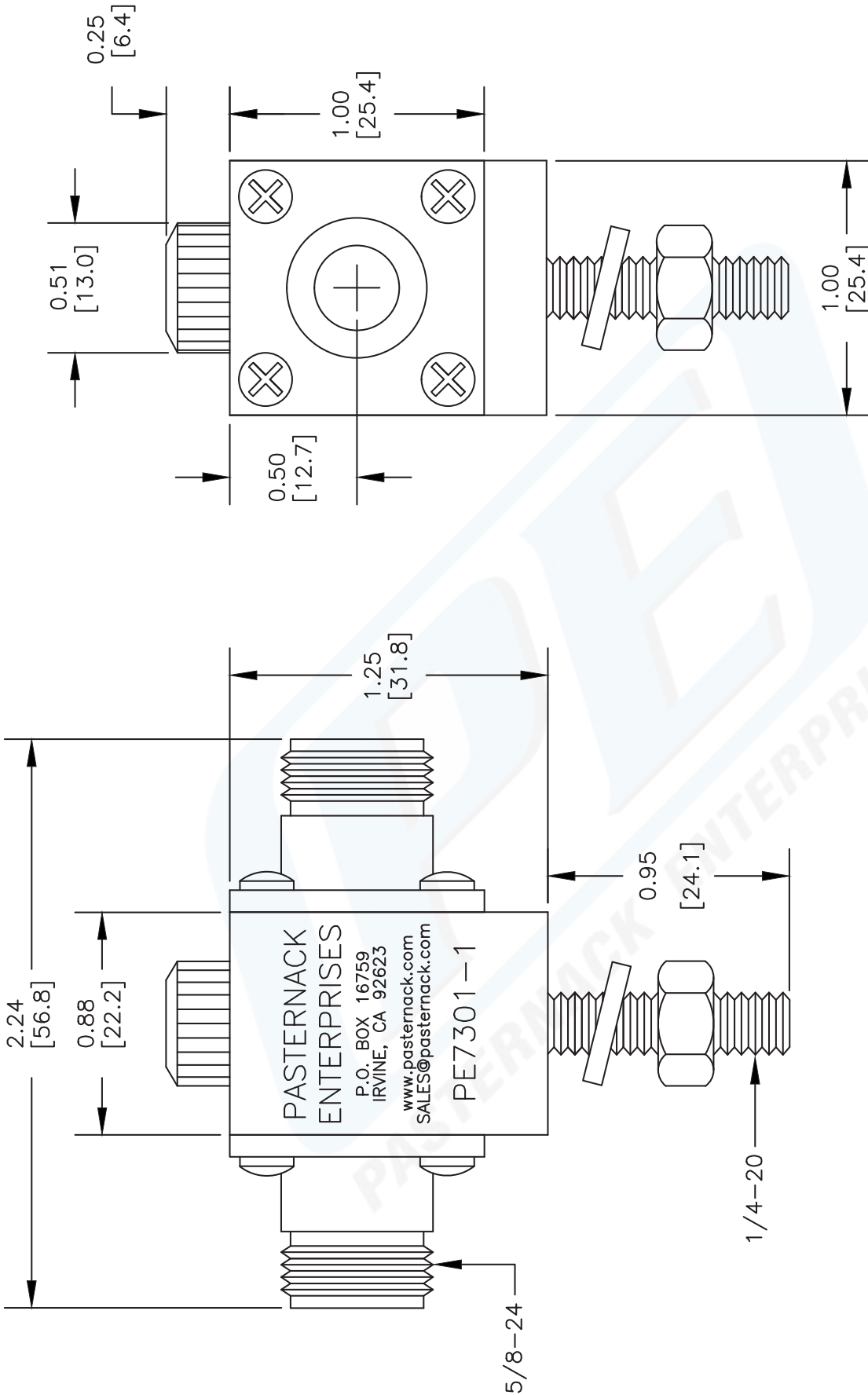
Click the following link (or enter part number in "SEARCH" on website) to obtain additional part information including price, inventory and certifications: [In-Line Surge Protector 50 Ohm N Female to N Female Surge Protector PE7301-1](#)

URL: <http://www.pasternack.com/n-female-coax-surge-protector-pe7301-1-p.aspx>

The information contained in this document is accurate to the best of our knowledge and representative of the part described herein. It may be necessary to make modifications to the part and/or the documentation of the part, in order to implement improvements. Pasternack reserves the right to make such changes as required. Unless otherwise stated, all specifications are nominal.

# PE7301-1 CAD Drawing

In-Line Surge Protector 50 Ohm N Female to N Female Surge Protector



NOTES:  
 1. UNLESS OTHERWISE SPECIFIED ALL DIMENSIONS ARE NOMINAL.  
 2. ALL SPECIFICATIONS ARE SUBJECT TO CHANGE WITHOUT NOTICE AT ANY TIME.  
 3. DIMENSIONS ARE IN INCHES [mm].

DWG TITLE  
**PE7301-1**

FSCM NO. 53919

CAD FILE 021508

SCALE N/A

SIZE A

XXXX

**PE PASTERNAK®**  
 Pasternack Enterprises, Inc.  
 P.O. Box 16759 | Irvine | CA | 92623  
 Phone: (949) 261-1920 | Fax: (949) 261-7451  
 Website: www.pasternack.com | E-Mail: sales@pasternack.com