



## 2.92mm Female to 2.4mm Female Adapter

### RF Adapters Technical Data Sheet

PE91499

#### Configuration

- 2.92mm Female Connector 1
- 2.4mm Female Connector 2
- 50 Ohm
- Straight Body Geometry

#### Features

- Max VSWR of 1.2:1 up to 40 GHz
- Contact plating according to MIL-G-45204
- Gold over Nickel Plated Beryllium Copper Contact

#### Applications

- Allows Connection Between Series
- General Purpose Test

#### Description

Pasternack's PE91499 2.92mm female to 2.4mm female adapter is part of our full line of RF components available for same-day shipping. The 2.92mm connector mates mechanically with commercially available SMA and 3.5mm connectors. The 2.4mm connector mates mechanically with commercially available 1.85mm (V) connectors. Our 2.92mm to 2.4mm adapter has a female to female gender configuration built of durable stainless steel. PE91499 2.92mm female to 2.4mm female adapter operates to 40 GHz. The Pasternack RF adapter provides excellent VSWR of 1.2:1 maximum.

RF adapters are often used to enable connections between two connector types that would otherwise not mate. Certain adapter configurations can also be used to protect connectors on expensive equipment where the number of connect/disconnect cycles is high. An RF, microwave or millimeter wave adapter is connected to the equipment, and the commonly changed connection is made with the adapter which can be easily replaced when it wears out after high usage; such adapters are referred to as connector savers. Pasternack also offers bulkhead, panel mount, hermetically sealed, reverse polarity, and isolated ground adapter varieties to serve all of your RF, microwave and millimeter wave needs.

#### Electrical Specifications

Description	Minimum	Typical	Maximum	Units
Frequency Range	DC		40	GHz
VSWR			1.2:1	
Insertion Loss			0.32	dB

Electrical Specification Notes:  
Insertion Loss =  $0.05 * \sqrt{\text{fGHz}}$

#### Mechanical Specifications

Size	
Length	0.748 in [19 mm]
Width	0.25 in [6.35 mm]
Weight	0.0114 lbs [5.17 g]

Click the following link (or enter part number in "SEARCH" on website) to obtain additional part information including price, inventory and certifications: [2.92mm Female to 2.4mm Female Adapter PE91499](#)



## 2.92mm Female to 2.4mm Female Adapter

### RF Adapters Technical Data Sheet

PE91499

Description	Connector 1	Connector 2
Type	2.92mm Female	2.4mm Female
Polarity	Standard	Standard
Mating Cycles	500	500
Mating Torque	8 in-lbs [0.90 Nm] max	8 in-lbs 0.90 Nm max

#### Material Specifications

Description	Connector 1		Connector 2	
	Material	Plating	Material	Plating
Type	2.92mm Female		2.4mm Female	
Contact	Beryllium Copper	Gold over Nickel MIL-G-45204	Beryllium Copper	Gold over Nickel MIL-G-45204
Insulation	Oxide-Noryl		Oxide-Noryl	
Outer Conductor	Passivated Stainless Steel	ASTM A380	Passivated Stainless Steel	ASTM A380
Body	Passivated Stainless Steel	ASTM A380	Passivated Stainless Steel	ASTM A380

#### Environmental Specifications

##### Temperature

Operating Range -55 to +150 deg C

**Compliance Certifications** (see [product page](#) for current document)

#### Plotted and Other Data

Notes:

Click the following link (or enter part number in "SEARCH" on website) to obtain additional part information including price, inventory and certifications: [2.92mm Female to 2.4mm Female Adapter PE91499](#)



## 2.92mm Female to 2.4mm Female Adapter

### RF Adapters Technical Data Sheet

PE91499

2.92mm Female to 2.4mm Female Adapter from Pasternack Enterprises has same day shipment for domestic and International orders. Our RF, microwave and millimeter wave products maintain a 99.4% availability and are part of the broadest selection in the industry.

Click the following link (or enter part number in "SEARCH" on website) to obtain additional part information including price, inventory and certifications: [2.92mm Female to 2.4mm Female Adapter PE91499](https://www.pasternack.com/2.92mm-female-2.4mm-female-straight-adapter-pe91499-p.aspx)

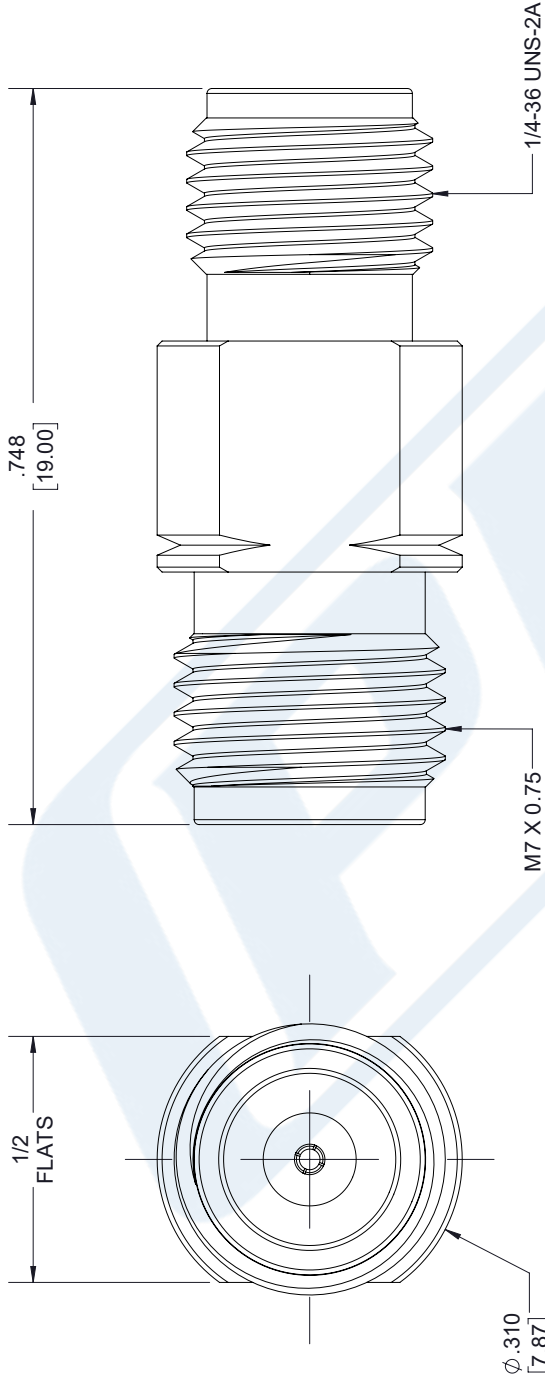
URL: <https://www.pasternack.com/2.92mm-female-2.4mm-female-straight-adapter-pe91499-p.aspx>

The information contained in this document is accurate to the best of our knowledge and representative of the part described herein. It may be necessary to make modifications to the part and/or the documentation of the part, in order to implement improvements. Pasternack reserves the right to make such changes as required. Unless otherwise stated, all specifications are nominal. Pasternack does not make any representation or warranty regarding the suitability of the part described herein for any particular purpose, and Pasternack does not assume any liability arising out of the use of any part or documentation.

# PE91499 CAD Drawing

## 2.92mm Female to 2.4mm Female Adapter

REVISIONS			
REV.	DESCRIPTION	DATE	APPROVED
A	INITIAL RELEASE	04/25/19	J.GARCIA



2.92mm FEMALE

2.4mm FEMALE

<p>UNLESS OTHERWISE SPECIFIED LEADING DIMENSIONS ARE INCHES DIMENSIONS IN [ ] ARE MILLIMETERS</p> <p>TOLERANCES:</p> <table border="0"> <tr> <td>X±.2</td> <td>[5.08]</td> <td>FRACTIONS</td> </tr> <tr> <td>.XX±.01</td> <td>[.25]</td> <td>±132</td> </tr> <tr> <td>.XXX±.005</td> <td>[.13]</td> <td>ANGLES ± 1°</td> </tr> </table> <p>ALL DIMENSIONS SHOWN ARE FOR REFERENCE ONLY.</p> <p>THIRD-ANGLE PROJECTION</p>		X±.2	[5.08]	FRACTIONS	.XX±.01	[.25]	±132	.XXX±.005	[.13]	ANGLES ± 1°	<p>THE INFORMATION AND DESIGN IN THIS DOCUMENT IS THE PROPERTY OF PASTERNAK CORPORATION. ALL RIGHTS RESERVED.</p> <p>SHEET 1 OF 1</p> <p>SCALE N/A</p>	
X±.2	[5.08]	FRACTIONS										
.XX±.01	[.25]	±132										
.XXX±.005	[.13]	ANGLES ± 1°										
<p><b>PE PASTERNAK</b> an INFINITO brand</p> <p>Pasternack Enterprises, Inc. P.O. Box 16759, Irvine, CA 92623. Phone: 1.949.261.1920   1.866.727.8376 Fax: 1.949.261.7451 www.pasternack.com   e-mail: sales@pasternack.com</p>		<p>REV A</p>										
SIZE	CAGE	DRAWN BY	PART NUMBER									
A	53919	K.DANG	PE91499									

THESE COMMODITIES, TECHNOLOGY OR SOFTWARE WERE EXPORTED FROM THE UNITED STATES IN ACCORDANCE WITH THE EXPORT ADMINISTRATION REGULATIONS. DIVERSION CONTRARY TO U.S. LAW PROHIBITED.