



## 75 Ohm F Female to F Female Adapter

### RF Adapters Technical Data Sheet

PE9164

#### Configuration

- F Female Connector 1
- F Female Connector 2
- 75 Ohms
- Straight Body Geometry

#### Features

- Max VSWR of 1.35:1 up to 500 MHz
- Tin Plated Brass Contact
- 40 μ-in min Tin Contact Plating

#### Applications

- General Purpose Test

#### Description

Pasternack's PE9164 75 ohm type F to type F female adapter is part of our full line of RF components available for same-day shipping. Our type F to type F adapter has a female to female gender configuration. PE9164 type F female to type F female adapter operates to 500 MHz. The Pasternack RF adapter provides good VSWR of 1.35:1 maximum.

RF adapters are often used to enable connections between two connector types that would otherwise not mate. Certain adapter configurations can also be used to protect connectors on expensive equipment where the number of connect/disconnect cycles is high. An RF, microwave or millimeter wave adapter is connected to the equipment, and the commonly changed connection is made with the adapter which can be easily replaced when it wears out after high usage; such adapters are referred to as connector savers. Pasternack also offers bulkhead, panel mount, hermetically sealed, reverse polarity, and isolated ground adapter varieties to serve all of your RF, microwave and millimeter wave needs.

#### Electrical Specifications

Description	Minimum	Typical	Maximum	Units
Frequency Range	DC		500	MHz
VSWR			1.35:1	
Operating Voltage (AC)			500	Vrms

#### Mechanical Specifications

##### Size

Length	0.82 in [20.83 mm]
Width	0.435 in [11.05 mm]
Weight	0.019 lbs [8.62 g]

Description	Connector 1	Connector 2
Type	F Female	F Female
Polarity	Standard	Standard

Click the following link (or enter part number in "SEARCH" on website) to obtain additional part information including price, inventory and certifications: [75 Ohm F Female to F Female Adapter PE9164](#)



## 75 Ohm F Female to F Female Adapter

### RF Adapters Technical Data Sheet

PE9164

#### Material Specifications

Description	Connector 1		Connector 2	
	Material	Plating	Material	Plating
Type	F Female		F Female	
Contact	Brass	Tin 40 μ-in minimum	Brass	Tin 40 μ-in minimum
Insulation	PP		PP	
Outer Conductor	Brass	Nickel 100 μ-in minimum	Brass	Nickel 100 μ-in minimum

#### Environmental Specifications

##### Temperature

Operating Range

-40 to +60 deg C

**Compliance Certifications** (see [product page](#) for current document)

#### Plotted and Other Data

Notes:

75 Ohm F Female to F Female Adapter from Pasternack Enterprises has same day shipment for domestic and International orders. Our RF, microwave and millimeter wave products maintain a 99% availability and are part of the broadest selection in the industry.

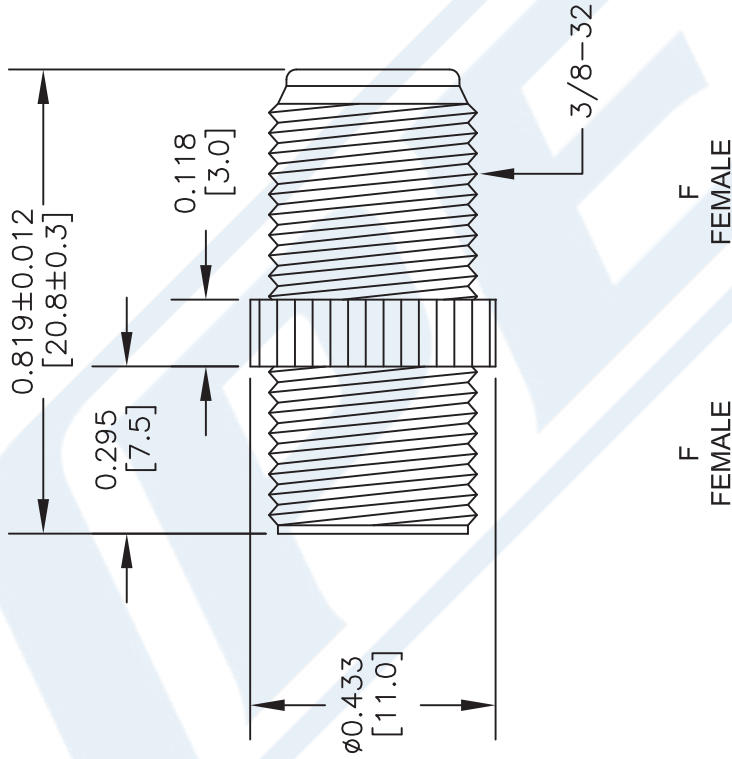
Click the following link (or enter part number in "SEARCH" on website) to obtain additional part information including price, inventory and certifications: [75 Ohm F Female to F Female Adapter PE9164](#)

URL: <https://www.pasternack.com/f-female-f-female-straight-adapter-pe9164-p.aspx>

The information contained in this document is accurate to the best of our knowledge and representative of the part described herein. It may be necessary to make modifications to the part and/or the documentation of the part, in order to implement improvements. Pasternack reserves the right to make such changes as required. Unless otherwise stated, all specifications are nominal. Pasternack does not make any representation or warranty regarding the suitability of the part described herein for any particular purpose, and Pasternack does not assume any liability arising out of the use of any part or documentation.

# PE9164 CAD Drawing

## 75 Ohm F Female to F Female Adapter



### STANDARD TOLERANCES

.X ±0.2  
.XX ±0.1  
.XXX ±0.05

\*STANDARD TOLERANCES APPLY ONLY TO DIMENSIONS IN INCHES



Pasternack Enterprises, Inc.  
P.O. Box 16759 | Irvine | CA | 92623  
Phone: (949) 261-1920 | Fax: (949) 261-7451  
Website: www.pasternack.com | E-Mail: sales@pasternack.com

DWG TITLE

**PE9164**

FSCM NO. 53919

NOTES:  
1. UNLESS OTHERWISE SPECIFIED ALL DIMENSIONS ARE NOMINAL.  
2. ALL SPECIFICATIONS ARE SUBJECT TO CHANGE WITHOUT NOTICE AT ANY TIME.  
3. DIMENSIONS ARE IN INCHES [mm].

CAD FILE 021516

SCALE N/A

SIZE A

3045