



2.92mm Female to 3.5mm Female Adapter

RF Adapters Technical Data Sheet

PE9660

Configuration

- 2.92mm Female Connector 1
- 3.5mm Female Connector 2
- 50 Ohm
- Straight Body Geometry

Features

- Max VSWR of 1.25:1 up to 34 GHz
- Contact plating according to ASTM-B488, ASTM-B689
- Gold over Electrolytic Nickel Plated Beryllium Copper Contact
- Max VSWR of 1.25:1 up to 34 GHz
- Gold over Electrolytic Nickel Plated Beryllium Copper Contact
- Contact Plating per ASTM-B488, ASTM-B689

Applications

- Allows Connection Between Series
- General Purpose Test
- Allows Connection Between Series
- General Purpose Test

Description

Pasternack's PE9660 2.92mm female to 3.5mm female adapter is part of our full line of RF components available for same-day shipping. The 2.92mm connector mates mechanically with commercially available SMA and 3.5mm connectors. Our 2.92mm to 3.5mm adapter has a female to female gender configuration. PE9660 2.92mm female to 3.5mm female adapter operates to 34 GHz. The Pasternack RF adapter provides excellent VSWR of 1.25:1 maximum.

RF adapters are often used to enable connections between two connector types that would otherwise not mate. Certain adapter configurations can also be used to protect connectors on expensive equipment where the number of connect/disconnect cycles is high. An RF, microwave or millimeter wave adapter is connected to the equipment, and the commonly changed connection is made with the adapter which can be easily replaced when it wears out after high usage; such adapters are referred to as connector savers. Pasternack also offers bulkhead, panel mount, hermetically sealed, reverse polarity, and isolated ground adapter varieties to serve all of your RF, microwave and millimeter wave needs.

Electrical Specifications

Description	Minimum	Typical	Maximum	Units
Frequency Range	DC		34	GHz
VSWR			1.25:1	
Insertion Loss			0.24	dB
Operating Voltage (AC)			170	Vrms
Dielectric Withstanding Voltage (AC)			500	Vrms
High Potential Voltage 5 to 7.5 MHz			325	Vrms
Corona Discharge at 70,000 ft			125	Vrms
Insulation Resistance	5,000			MOhms
RF Leakage			-90	dB

Click the following link (or enter part number in "SEARCH" on website) to obtain additional part information including price, inventory and certifications: [2.92mm Female to 3.5mm Female Adapter PE9660](#)



2.92mm Female to 3.5mm Female Adapter

RF Adapters Technical Data Sheet

PE9660

Electrical Specification Notes:
 Values at 25°C, sea level.
 Insertion Loss = 0.04 x sqrt(FGHz) dB Max

Mechanical Specifications

Size

Length	0.75 in [19.05 mm]
Width	0.281 in [7.14 mm]
Weight	0.007 lbs [3.18 g]

Description	Connector 1	Connector 2
Type	2.92mm Female	3.5mm Female
Polarity	Standard	Standard
Mating Cycles	500	500

Material Specifications

Description	Connector 1		Connector 2	
	Material	Plating	Material	Plating
Type	2.92mm Female		3.5mm Female	
Contact	Beryllium Copper	Gold over Electrolytic Nickel ASTM-B488, ASTM-B689	Beryllium Copper	Gold over Electrolytic Nickel ASTM-B488, ASTM-B689
Insulation	PCTFE		PCTFE	
Outer Conductor	Passivated Stainless Steel	SAE-AMS-2700	Passivated Stainless Steel	SAE-AMS-2700

Environmental Specifications

Temperature

Operating Range -65 to +150 deg C

Humidity	MIL-STD-202, Method 106 (No Vibration)
Shock	MIL-STD-202, Method 213, Condition I
Vibration	MIL-STD-202, Method 204, Condition D
Thermal Shock	MIL-STD-202, Method 107, Condition B
Salt Spray	MIL-STD-202, Method 101, Condition B, 5%

Compliance Certifications (see [product page](#) for current document)

Plotted and Other Data

Notes:

Click the following link (or enter part number in "SEARCH" on website) to obtain additional part information including price, inventory and certifications: [2.92mm Female to 3.5mm Female Adapter PE9660](#)

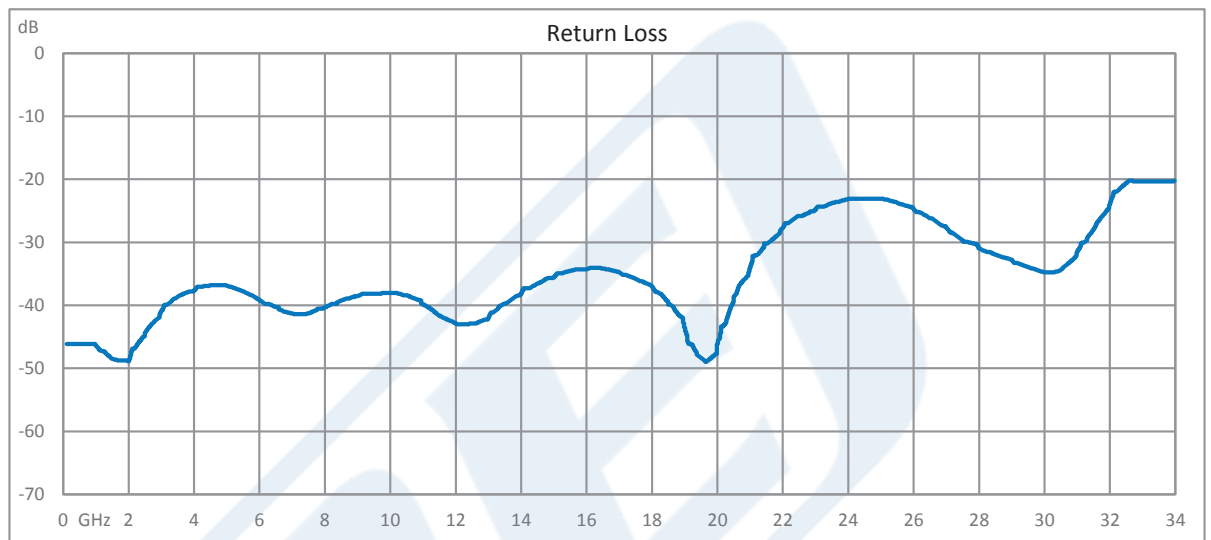


2.92mm Female to 3.5mm Female Adapter

RF Adapters Technical Data Sheet

PE9660

Typical Performance Data



2.92mm Female to 3.5mm Female Adapter from Pasternack Enterprises has same day shipment for domestic and International orders. Our RF, microwave and millimeter wave products maintain a 99.4% availability and are part of the broadest selection in the industry.

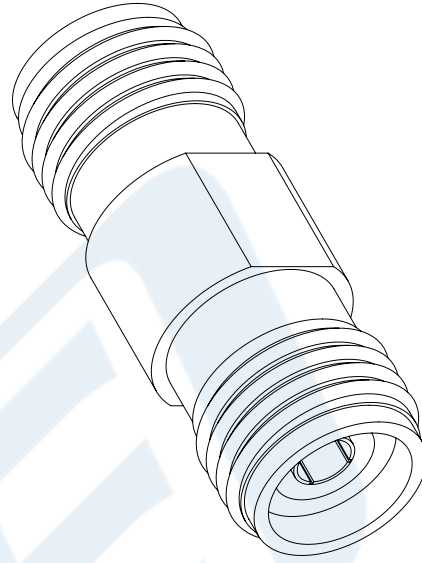
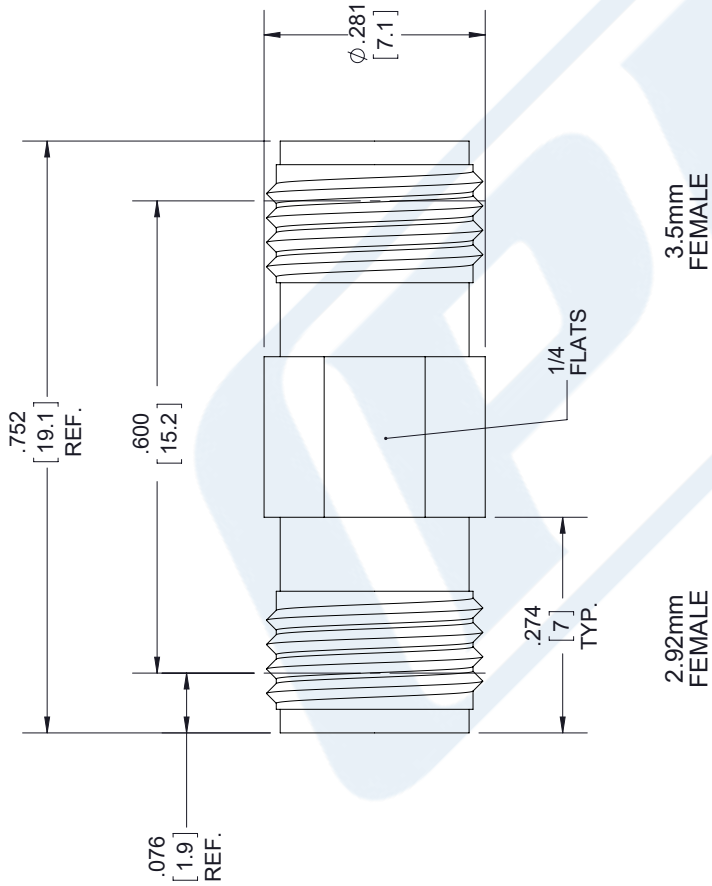
Click the following link (or enter part number in "SEARCH" on website) to obtain additional part information including price, inventory and certifications: [2.92mm Female to 3.5mm Female Adapter PE9660](#)

URL: <https://www.pasternack.com/3.5mm-female-2.92mm-female-straight-adapter-pe9660-p.aspx>

The information contained in this document is accurate to the best of our knowledge and representative of the part described herein. It may be necessary to make modifications to the part and/or the documentation of the part, in order to implement improvements. Pasternack reserves the right to make such changes as required. Unless otherwise stated, all specifications are nominal. Pasternack does not make any representation or warranty regarding the suitability of the part described herein for any particular purpose, and Pasternack does not assume any liability arising out of the use of any part or documentation.

PE9660 CAD Drawing

2.92mm Female to 3.5mm Female Adapter



STANDARD TOLERANCES

.X ±0.2
 .XX ±0.01
 .XXX ±0.005

*STANDARD TOLERANCES APPLY ONLY TO DIMENSIONS IN INCHES



Pasternack Enterprises, Inc.
 P.O. Box 16759 | Irvine | CA | 92623
Phone: (949) 261-1920 | **Fax:** (949) 261-7451
Website: www.pasternack.com | **E-Mail:** sales@pasternack.com

DWG TITLE

PE9660

NOTES:
 1. UNLESS OTHERWISE SPECIFIED ALL DIMENSIONS ARE NOMINAL.
 2. ALL SPECIFICATIONS ARE SUBJECT TO CHANGE WITHOUT NOTICE AT ANY TIME
 3. DIMENSIONS ARE IN INCHES [mm].

CAGE CODE 53919

CAD FILE MDDYY

SCALE N/A

SIZE A

9999