



2.92mm Male to 1.85mm Male Adapter

RF Adapters Technical Data Sheet

PE9667

Configuration

- 2.92mm Male Connector 1
- 1.85mm Male Connector 2
- 50 Ohm
- Straight Body Geometry

Features

- Max VSWR of 1.25:1 up to 40 GHz
- Contact plating according to MIL-G-45204
- Gold over Nickel Plated Beryllium Copper Contact
- Max VSWR of 1.25:1 up to 40 GHz
- Gold over Nickel Plated Beryllium Copper Contact
- Contact Plating per MIL-G-45204

Applications

- Allows Connection Between Series
- General Purpose Test
- Allows Connection Between Series
- General Purpose Test

Description

Pasternack's PE9667 2.92mm male to 1.85mm male adapter is part of our full line of RF components available for same-day shipping. The 2.92mm connector mates mechanically with commercially available SMA and 3.5mm connectors. The 1.85mm connector mates mechanically with commercially available 2.4mm connectors. Our 2.92mm to 1.85mm adapter has a male to male gender configuration built of durable stainless steel. PE9667 2.92mm male to 1.85mm male adapter operates to 40 GHz. The Pasternack RF adapter provides excellent VSWR of 1.25:1 maximum.

RF adapters are often used to enable connections between two connector types that would otherwise not mate. Certain adapter configurations can also be used to protect connectors on expensive equipment where the number of connect/disconnect cycles is high. An RF, microwave or millimeter wave adapter is connected to the equipment, and the commonly changed connection is made with the adapter which can be easily replaced when it wears out after high usage; such adapters are referred to as connector savers. Pasternack also offers bulkhead, panel mount, hermetically sealed, reverse polarity, and isolated ground adapter varieties to serve all of your RF, microwave and millimeter wave needs.

Electrical Specifications

Description	Minimum	Typical	Maximum	Units
Frequency Range	DC		40	GHz
VSWR			1.25:1	
Insertion Loss			0.32	dB

Electrical Specification Notes:
Insertion Loss = 0.05*sqrt (fGHz)

Mechanical Specifications

Size	
Length	0.763 in [19.38 mm]
Width	0.315 in [8 mm]
Weight	0.01 lbs [4.54 g]

Click the following link (or enter part number in "SEARCH" on website) to obtain additional part information including price, inventory and certifications: [2.92mm Male to 1.85mm Male Adapter PE9667](#)



2.92mm Male to 1.85mm Male Adapter

RF Adapters Technical Data Sheet

PE9667

Description	Connector 1	Connector 2
Type	2.92mm Male	1.85mm Male
Polarity	Standard	Standard
Mating Cycles	500	500
Hex Size	5/16 in.	5/16 in.
Mating Torque	8 to 10 in-lbs [0.90 to 1.13 Nm]	8 to 10 in-lbs 0.90 to 1.13 Nm

Material Specifications

Description	Connector 1		Connector 2	
	Material	Plating	Material	Plating
Type	2.92mm Male		1.85mm Male	
Contact	Beryllium Copper	Gold over Nickel MIL-G-45204	Beryllium Copper	Gold over Nickel MIL-G-45204
Insulation	Oxide-Noryl		Oxide-Noryl	
Body	Passivated Stainless Steel	ASTM A380	Passivated Stainless Steel	ASTM A380
Coupling Nut	Passivated Stainless Steel	ASTM A380	Passivated Stainless Steel	ASTM A380

Environmental Specifications

Temperature

Operating Range -55 to +100 deg C

Compliance Certifications (see [product page](#) for current document)

Plotted and Other Data

Notes:

Click the following link (or enter part number in "SEARCH" on website) to obtain additional part information including price, inventory and certifications: [2.92mm Male to 1.85mm Male Adapter PE9667](#)



2.92mm Male to 1.85mm Male Adapter

RF Adapters Technical Data Sheet

PE9667

2.92mm Male to 1.85mm Male Adapter from Pasternack Enterprises has same day shipment for domestic and International orders. Our RF, microwave and millimeter wave products maintain a 99.4% availability and are part of the broadest selection in the industry.

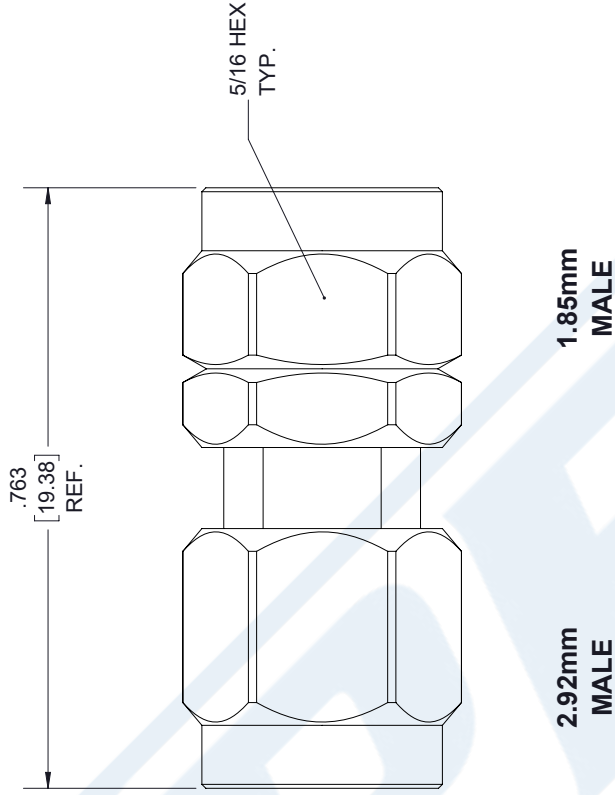
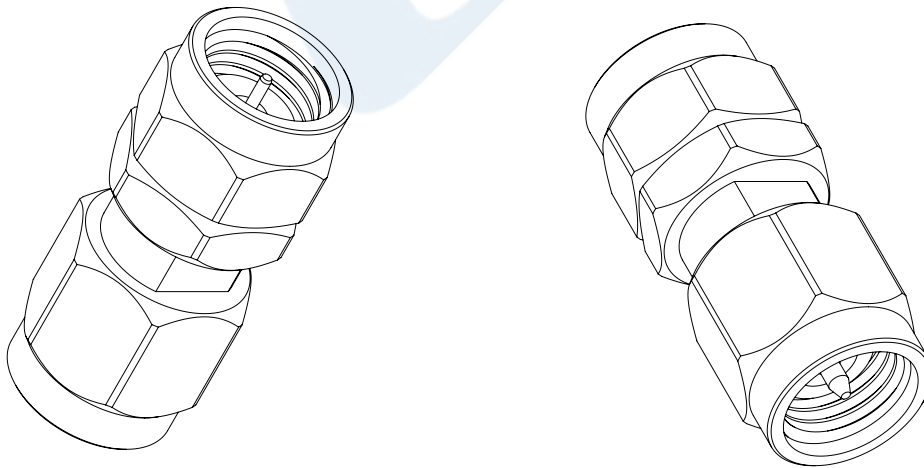
Click the following link (or enter part number in "SEARCH" on website) to obtain additional part information including price, inventory and certifications: [2.92mm Male to 1.85mm Male Adapter PE9667](https://www.pasternack.com/2.92mm-male-1.85mm-male-straight-adapter-pe9667-p.aspx)

URL: <https://www.pasternack.com/2.92mm-male-1.85mm-male-straight-adapter-pe9667-p.aspx>

The information contained in this document is accurate to the best of our knowledge and representative of the part described herein. It may be necessary to make modifications to the part and/or the documentation of the part, in order to implement improvements. Pasternack reserves the right to make such changes as required. Unless otherwise stated, all specifications are nominal. Pasternack does not make any representation or warranty regarding the suitability of the part described herein for any particular purpose, and Pasternack does not assume any liability arising out of the use of any part or documentation.

PE9667 CAD Drawing

2.92mm Male to 1.85mm Male Adapter



STANDARD TOLERANCES

.X ±0.2
 .XX ±0.01
 .XXX ±0.005

*STANDARD TOLERANCES APPLY ONLY TO DIMENSIONS IN INCHES



Pasternack Enterprises, Inc.
 P.O. Box 16759 | Irvine | CA | 92623
Phone: (949) 261-1920 | **Fax:** (949) 261-7451
Website: www.pasternack.com | **E-Mail:** sales@pasternack.com

DWG TITLE

PE9667

NOTES:
 1. UNLESS OTHERWISE SPECIFIED ALL DIMENSIONS ARE NOMINAL.
 2. ALL SPECIFICATIONS ARE SUBJECT TO CHANGE WITHOUT NOTICE AT ANY TIME.
 3. DIMENSIONS ARE IN INCHES [mm].

CAGE CODE 53919

CAD FILE 06/18/18

SCALE N/A

SIZE A

7361