



WR-187 PDR48 Flange to N Female Waveguide to Coax Adapter Operating from 3.94 GHz to 5.99 GHz in Aluminum

Waveguide to Coax Adapters Technical Data Sheet

PEWCA1084

Features

- 3.94 GHz to 5.99 GHz Frequency Range
- WR-187 Waveguide Interface
- PDR48 Flange
- N Female RF Interface
- Comprehensive waveguide offering also include E-Bends, H-Bends, Sections, Filters, Terminations, Couplers, and more.

Applications

- Test Benches
- Radar
- Satellite
- Microwave Radio Systems
- Military and Space
- Communication Systems

Description

The PEWCA1084 is a right angle waveguide to coaxial adapter operating at a frequency range of 3.94 GHz to 5.99 GHz. This adapter offers a WR-187 waveguide interface size coupled with a precision tolerance PDR48 flange. The PEWCA1084 is constructed of aluminum and painted gray to ensure durability. The coaxial connector offered by this adapter uses an N Female connector.

Configuration

| | |
|----------------|-------------|
| Waveguide Size | WR-187 |
| Flange | PDR48 |
| RF Connector | N Female |
| Body Geometry | Right Angle |

Electrical Specifications

| Description | Minimum | Typical | Maximum | Units |
|------------------|---------|---------|---------|-------|
| Frequency Range | 3.94 | | 5.99 | GHz |
| VSWR | | | 1.25:1 | |
| Insertion Loss | | | 0.2 | dB |
| Input Power (CW) | | | 100 | Watts |

Mechanical Specifications

| | |
|----------------------------|-------------------|
| Size | |
| Length | 2.24 in [56.9 mm] |
| Width | 3.5 in [88.9 mm] |
| Height | 2.5 in [63.5 mm] |
| RF Connector | |
| Connector Type | N Female |
| Waveguide Interface | |
| Waveguide Type | WR-187 |

Click the following link (or enter part number in "SEARCH" on website) to obtain additional part information including price, inventory and certifications: [WR-187 PDR48 Flange to N Female Waveguide to Coax Adapter Operating from 3.94 GHz to 5.99 GHz in Aluminum PEWCA1084](#)



WR-187 PDR48 Flange to N Female Waveguide to Coax Adapter Operating from 3.94 GHz to 5.99 GHz in Aluminum

Waveguide to Coax Adapters Technical Data Sheet

PEWCA1084

| | |
|---------------------------|----------|
| Flange Type | PDR48 |
| Body Material and Plating | Aluminum |

Compliance Certifications (see [product page](#) for current document)

Plotted and Other Data

Notes:

- Values at +25 °C, sea level unless stated otherwise

WR-187 PDR48 Flange to N Female Waveguide to Coax Adapter Operating from 3.94 GHz to 5.99 GHz in Aluminum from Pasternack Enterprises has same day shipment for domestic and International orders. Our RF, microwave and millimeter wave products maintain a 99.4% availability and are part of the broadest selection in the industry.

Click the following link (or enter part number in "SEARCH" on website) to obtain additional part information including price, inventory and certifications: [WR-187 PDR48 Flange to N Female Waveguide to Coax Adapter Operating from 3.94 GHz to 5.99 GHz in Aluminum PEWCA1084](#)

URL: <https://www.pasternack.com/wr187-pdr48-flange-to-type-n-female-waveguide-coax-adapter-5.99-ghz-pewca1084-p.aspx>

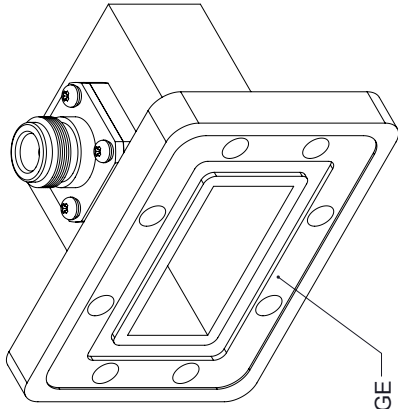
The information contained in this document is accurate to the best of our knowledge and representative of the part described herein. It may be necessary to make modifications to the part and/or the documentation of the part, in order to implement improvements. Pasternack reserves the right to make such changes as required. Unless otherwise stated, all specifications are nominal. Pasternack does not make any representation or warranty regarding the suitability of the part described herein for any particular purpose, and Pasternack does not assume any liability arising out of the use of any part or documentation.

PEWCA1084 CAD Drawing

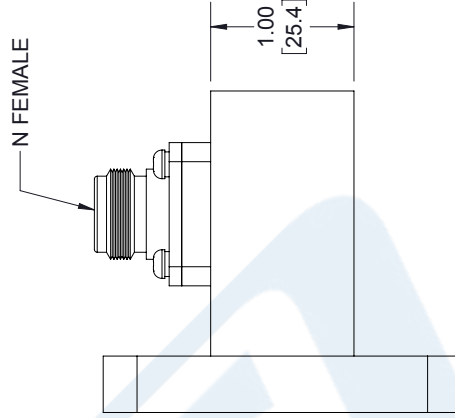
WR-187 PDR48 Flange to N Female Waveguide to Coax Adapter
Operating from 3.94 GHz to 5.99 GHz in Aluminum

REVISIONS

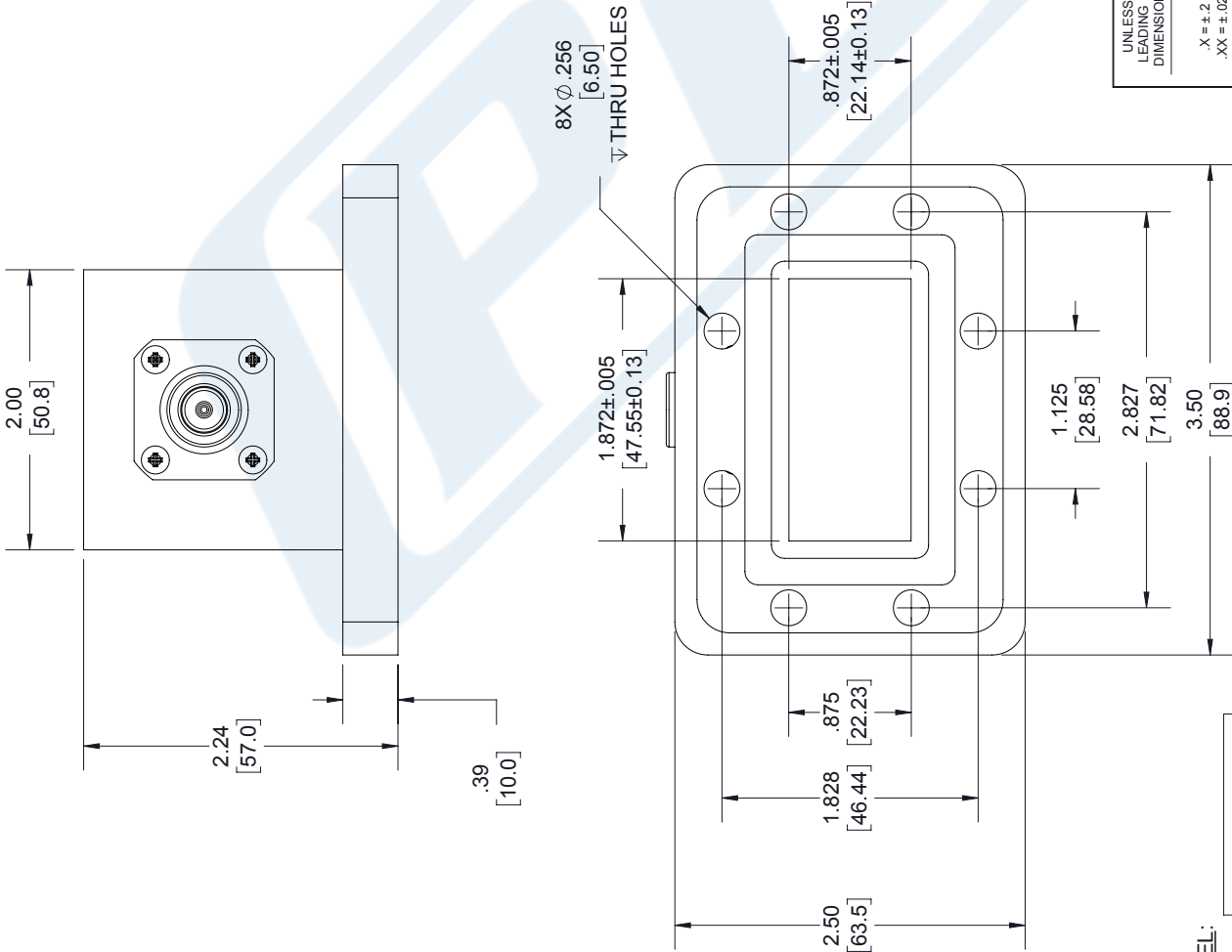
| REV. | DESCRIPTION | DATE | APPROVED |
|------|-----------------|------------|----------|
| A | INITIAL RELEASE | 04/29/2020 | SPONG |



WR-187
PDR48 FLANGE



N FEMALE



LABEL:

PASTERNAK
PEWCA1084
D/C: YYWW

UNLESS OTHERWISE SPECIFIED
LEADING DIMENSIONS ARE INCHES
DIMENSIONS IN [] ARE MILLIMETERS

TOLERANCES:
 .X = ±.2 [5.08]
 .XX = ±.02 [.51]
 .XXX = ±.005 [.13]

FRACTIONS
 ± 1/32

ANGLES ± 1°

CABLE LENGTH (L) TOLERANCES:
 L ≤ 12 [305] = +1 [25] / -0
 12 [305] < L ≤ 60 [1524] = +2 [51] / -0
 60 [1524] < L ≤ 120 [3048] = +4 [102] / -0
 120 [3048] < L ≤ 300 [7620] = +6 [152] / -0
 300 [7620] < L = +5% / L / -0

ALL DIMENSIONS SHOWN
ARE FOR REFERENCE ONLY.

PE **PASTERNAK**
an INFINIT[®] brand

Pasternack Enterprises, Inc.
P. O. Box 16759, Irvine, CA 92623.
Phone: 1.949.261.1920 | 1.866.727.8376
Fax: 1.949.261.7451
Website: www.pasternack.com
E-mail: sales@pasternack.com

SIZE: A CAGE CODE: 53919 DRAWN BY: BPUCHASKI ITEM NO: PEWCA1084 REV: A

THIRD-ANGLE PROJECTION

THE INFORMATION AND DESIGN IN THIS DOCUMENT IS THE PROPERTY OF PASTERNAK CORPORATION. ALL RIGHTS RESERVED.

SHEET 1 OF 1

SCALE: N/A

THESE COMMODITIES, TECHNOLOGY OR SOFTWARE WERE EXPORTED FROM THE UNITED STATES IN ACCORDANCE WITH THE EXPORT ADMINISTRATION REGULATIONS. DIVERSION CONTRARY TO U.S. LAW PROHIBITED.