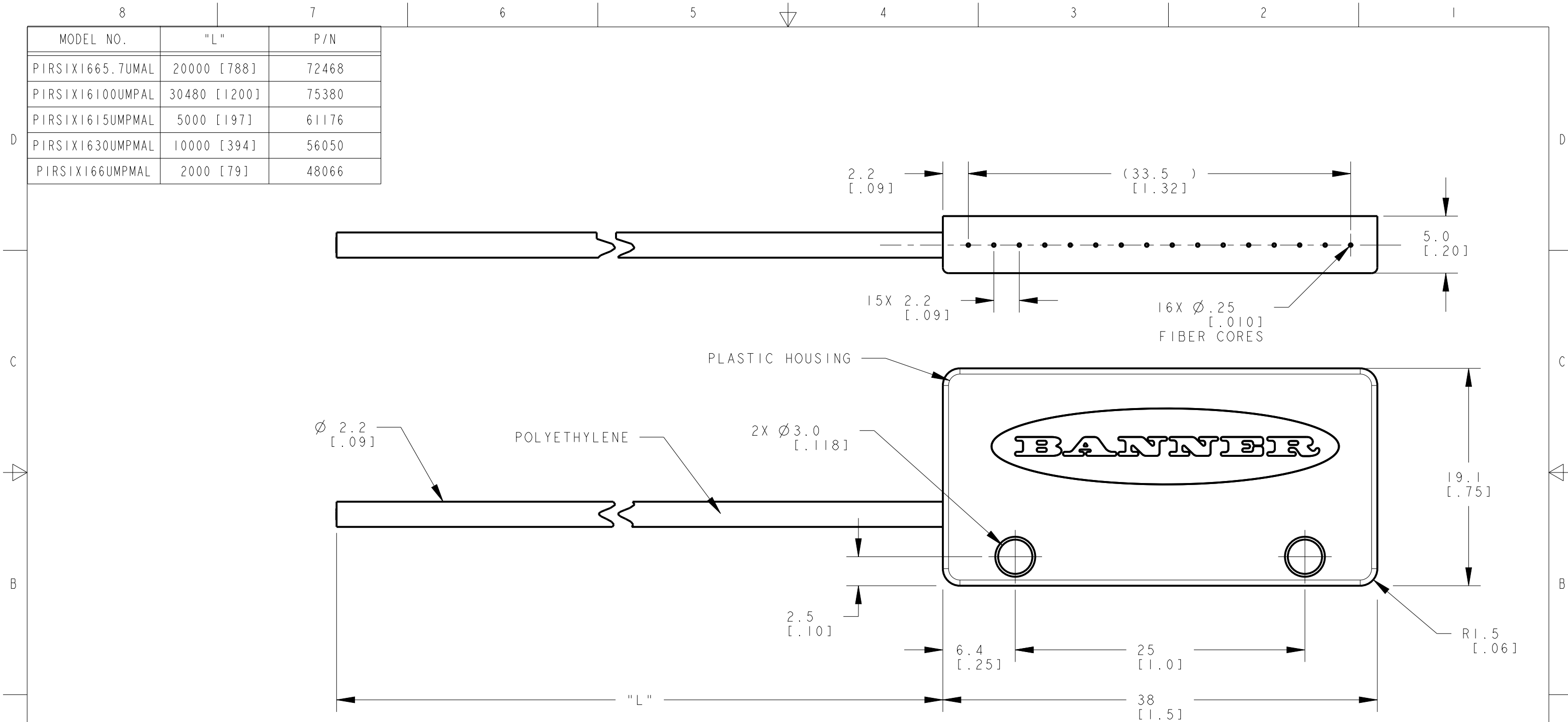


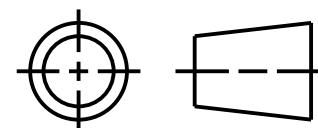
MODEL NO.	"L"	P/N
PIRSIX1665.7UMAL	20000 [788]	72468
PIRSIX16100UMPAL	30480 [1200]	75380
PIRSIX1615UMPAL	5000 [197]	61176
PIRSIX1630UMPAL	10000 [394]	56050
PIRSIX166UMPAL	2000 [79]	48066



NOTES:  
 1. ALL DIMENSIONS ARE MILLIMETERS [INCHES] UNLESS OTHERWISE NOTED.  
 2. REFER TO "www.bannerengineering.com" FOR ADDITIONAL DATA AND SPECIFICATIONS.

This drawing is the property of BANNER ENGINEERING CORP. Any use or reproduction, in any form, without prior written permission of Banner is prohibited.  
 © 2015 Banner Engineering Corp.

THIRD ANGLE PROJECTION



		BANNER ENGINEERING CORP.	
		www.bannerengineering.com	
TITLE			
PIRSIX16 SERIES UNTERMINATED 1.32 ARRAY			
SIZE	DRAWING NO.	REV.	
B	161896	A	
SCALE	SHEET		CREO
3:1	1 OF 1		