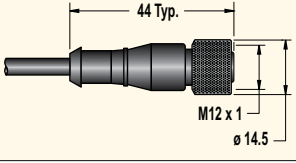
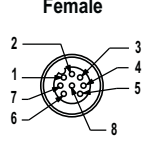
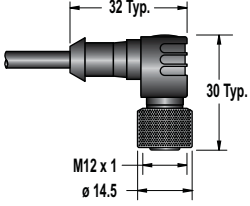


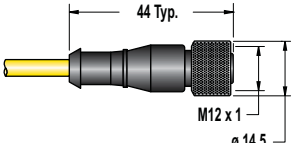
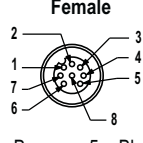
8-Pin Threaded M12/Euro-Style Cordsets with Open-Shield

Cable: PVC jacket, PUR (polyurethane) connector body, nickel-plated brass coupling nut
Conductors: 24 AWG (shielded), gold-plated contacts
Voltage/Current Rating: 75V ac/dc, 2.0 A
Temperature: -40° to +105° C **Environmental Rating:** IP67

Style	Length	Model	Cable Diameter	Dimensions (mm)	Pinout	Used With
Straight	1.83 m	MQDC2S-806	5.60 mm		Female 	<ul style="list-style-type: none"> • QC50 • QCX50 • EZ-LIGHT • iVu TG—Integrated Touch Screen models
	4.57 m	MQDC2S-815				
	9.14 m	MQDC2S-830				
	15.2 m	MQDC2S-850				
Right-Angle	1.83 m	MQDC2S-806RA	5.60 mm		1 = White 2 = Brown 3 = Green 4 = Yellow 5 = Gray 6 = Pink 7 = Blue 8 = Red	
	4.57 m	MQDC2S-815RA				
	9.14 m	MQDC2S-830RA				
	15.2 m	MQDC2S-850RA				

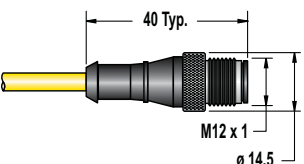
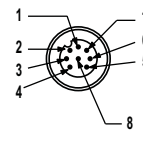
8-Pin Threaded M12/Euro-Style Cordsets

Cable: PVC jacket, PUR (polyurethane) connector body, nickel-plated brass coupling nut
Conductors: 22 AWG, gold-plated contacts
Voltage/Current Rating: 75V ac/dc, 2.0 A
Temperature: -40° to +105° C **Environmental Rating:** IP67

Style	Length	Model*	Cable Diameter	Dimensions (mm)	Pinout	Used With
Straight	4.57 m	QDE-815D	6.00 mm		Female 	<ul style="list-style-type: none"> • EZ-SCREEN w/8-pin QD (14 & 30 mm Resolution) • EZ-SCREEN LP w/8-pin QD (14 & 25 mm Resolution) • EZ-SCREEN w/8-pin QD (Point & Grid) • EZ-SCREEN Type 2
	7.62 m	QDE-825D				
	15.3 m	QDE-850D				
	22.9 m	QDE-875D				
	30.5 m	QDE-8100D				

8-Pin Threaded M12/Euro-Style Cordsets

Cable: PVC jacket, PUR (polyurethane) connector body, nickel-plated brass coupling nut
Conductors: 22 AWG, gold-plated contacts
Voltage/Current Rating: 60V ac/75V dc, 2.0 A
Temperature: -40° to +105° C **Environmental Rating:** IP67

Style	Length	Model*	Cable Diameter	Dimensions (mm)	Pinout	Used With
Straight	4.57 m	QDE2R4-815D	5.50 mm		Male 	<ul style="list-style-type: none"> • EZ-SCREEN Receiver (Cascade) CSSI QD (14 & 30 mm) • EZ-SCREEN LP Receiver (Cascade) CSSI QD and a DELPEF-810 (14 & 25 mm) NOTE: For connection of E-Stop or other hard/relay contacts.
	7.62 m	QDE2R4-825D				
	15.2 m	QDE2R4-850D				

* Standard cordsets are yellow PVC with black overmold. For black PVC and overmold, add suffix **B** to model number (example, **DEE2R-81DB**)