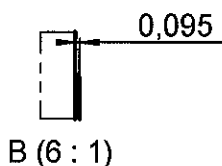
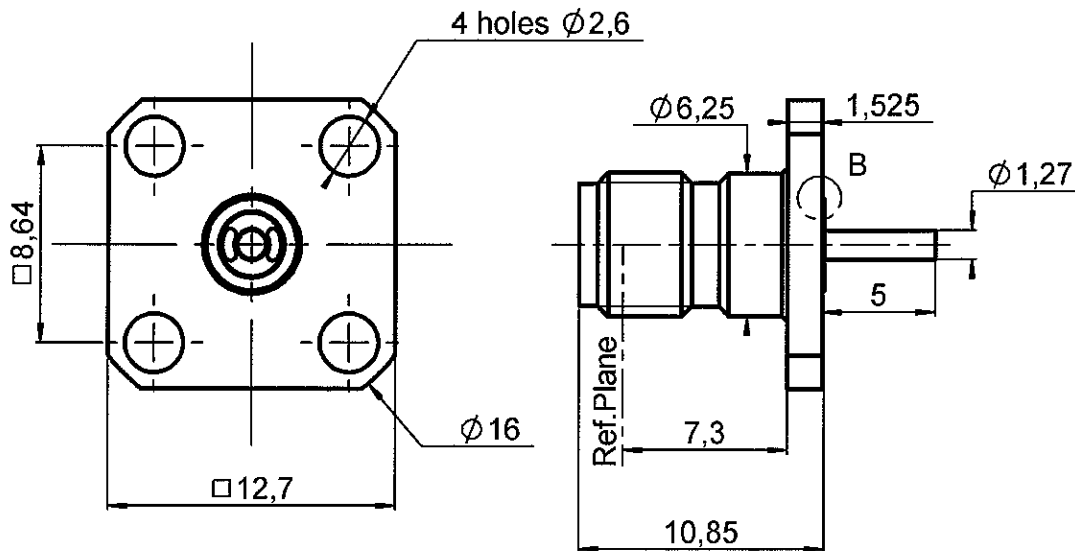


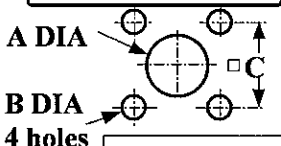
**ADJUSTABLE SQUARE FLANGE JACK RECEPTACLE  
WITH CYLINDRICAL CONTACT**

**R127.840.021**

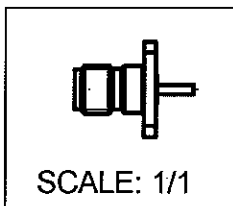
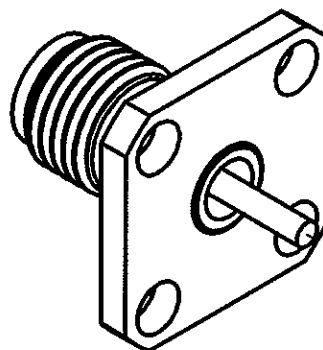
Series : SMA2.9



**PANEL CUT OUT**



	mm	
	Maxi	mini
A	2.95	2.91
B	2.7	2.6
C	8.69	8.59



All dimensions are in mm.



COMPONENTS	MATERIALS	PLATINGS (µm)
BODY	STAINLESS STEEL	PASSIVATED .
CENTER CONTACT	BERYLLIUM COPPER	GOLD 1.3 OVER NICKEL 2
OUTER CONTACT	-	-
INSULATOR	ULTEM	-
GASKET	-	-
OTHERS PARTS	BRASS	GOLD 1.3 OVER NICKEL 2
-	-	-
-	-	-

Issue : 0523 A

In the effort to improve our products, we reserve the right to make changes judged to be necessary.



**ADJUSTABLE SQUARE FLANGE JACK RECEPTACLE  
WITH CYLINDRICAL CONTACT**

**R127.840.021**

Series : SMA2.9

**PACKAGING**

Standard	Unit	Other
1	-	Contact us

**SPECIFICATION**

**ELECTRICAL CHARACTERISTICS**

Impedance		<b>50</b> Ω
Frequency		<b>0-40</b> GHz
VSWR	<b>1.05</b> +	<b>0.005</b> x F(GHz) Maxi
Insertion loss		<b>0.03</b> √F(GHz) dB Maxi
RF leakage	- (	<b>90</b> - F(GHz)) dB Maxi
Voltage rating		<b>350</b> Veff Maxi
Dielectric withstanding voltage		<b>750</b> Veff mini
Insulation resistance		<b>5000</b> MΩ mini

**ENVIRONMENTAL**

Operating temperature	<b>-65/+165</b> °C
Hermetic seal	<b>NA</b> Atm.cm <sup>3</sup> /s
Panel leakage	<b>NA</b>

**OTHERS CHARACTERISTICS**

Assembly instruction

Others :

**MECHANICAL CHARACTERISTICS**

Center contact retention		
Axial force – Mating end		<b>27</b> N mini
Axial force – Opposite end		<b>27</b> N mini
Torque		<b>NA</b> N.cm mini
Recommended torque		
Mating		<b>NA</b> N.cm
Panel nut		<b>NA</b> N.cm
Mating life		<b>500</b> Cycles mini
Weight		<b>2.950</b> g

Issue : 0523 A

In the effort to improve our products, we reserve the right to make changes judged to be necessary.



**RADIALL**®