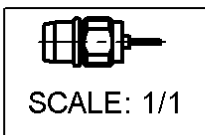
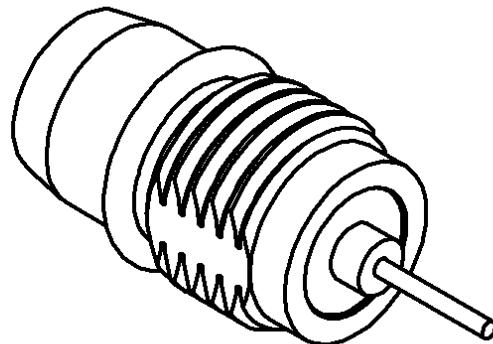
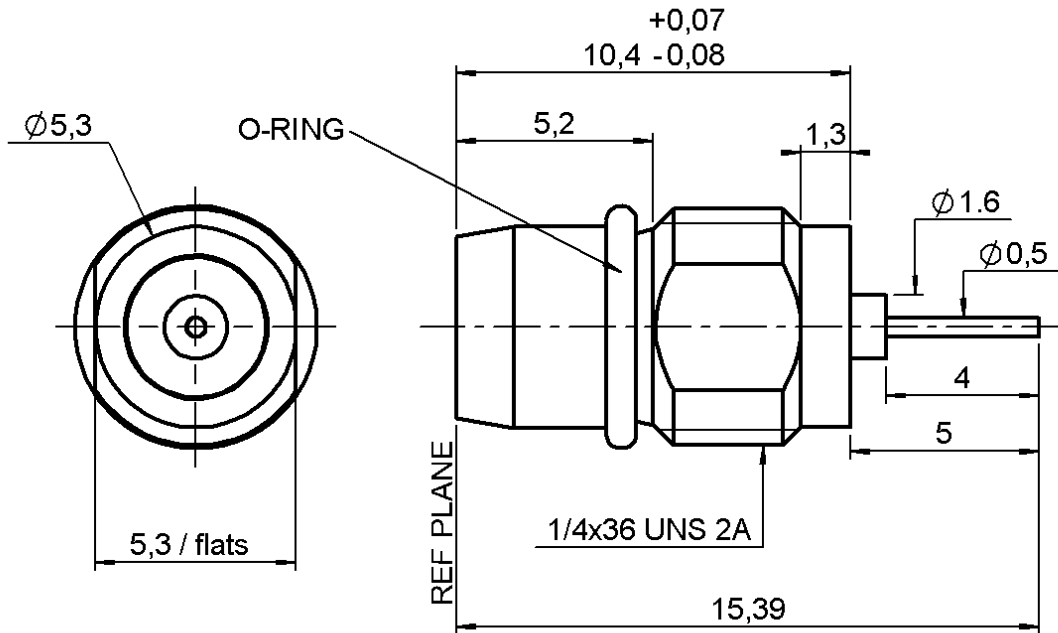


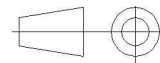
SCREW MALE RECEPTACLE

R128.555.101

Series : BMA



All dimensions are in mm.



COMPONENTS	MATERIALS	PLATINGS (μm)
BODY	STAINLESS STEEL	PASSIVATED .
CENTER CONTACT	BERYLLIUM COPPER	GOLD 1.3 OVER COPPER 2.5
OUTER CONTACT	-	-
INSULATOR	PTFE	-
GASKET	SILICONE RUBBER	-
OTHERS PARTS	-	-
-	-	-
-	-	-

Issue : 0448 B

In the effort to improve our products, we reserve the right to make changes judged to be necessary.



SCREW MALE RECEPTACLE

R128.555.101

Series : **BMA**

PACKAGING

Standard	Unit	Other
1	-	Contact us

SPECIFICATION

25441-38029 - -

ELECTRICAL CHARACTERISTICS

Impedance		50 Ω
Frequency		0-22 GHz
VSWR	1.04* +	0.009 x F(GHz) Maxi
Insertion loss		.03 √F(GHz) dB Maxi
RF leakage	- (-90 - F(GHz)) dB Maxi
Voltage rating		350 Veff Maxi
Dielectric withstanding voltage		1000 Veff mini
Insulation resistance		5000 MΩ mini

ENVIRONMENTAL

Operating temperature	-65/+155 ° C
Hermetic seal	NA Atm.cm3/s
Panel leakage	NA

OTHERS CHARACTERISTICS

Assembly instruction **NA**

Others :

*R.O.S et PERTE à 10Ghz (INTERFACE ONLY)

MECHANICAL CHARACTERISTICS

Center contact retention		
Axial force – Mating end	27	N mini
Axial force – Opposite end	27	N mini
Torque	NA	N.cm mini
Recommended torque		
Mating	NA	N.cm
Panel nut	60	N.cm
Mating life	1000	Cycles mini
Weight	1.080	g

Issue : 0448 B

In the effort to improve our products, we reserve the right to make changes judged to be necessary.

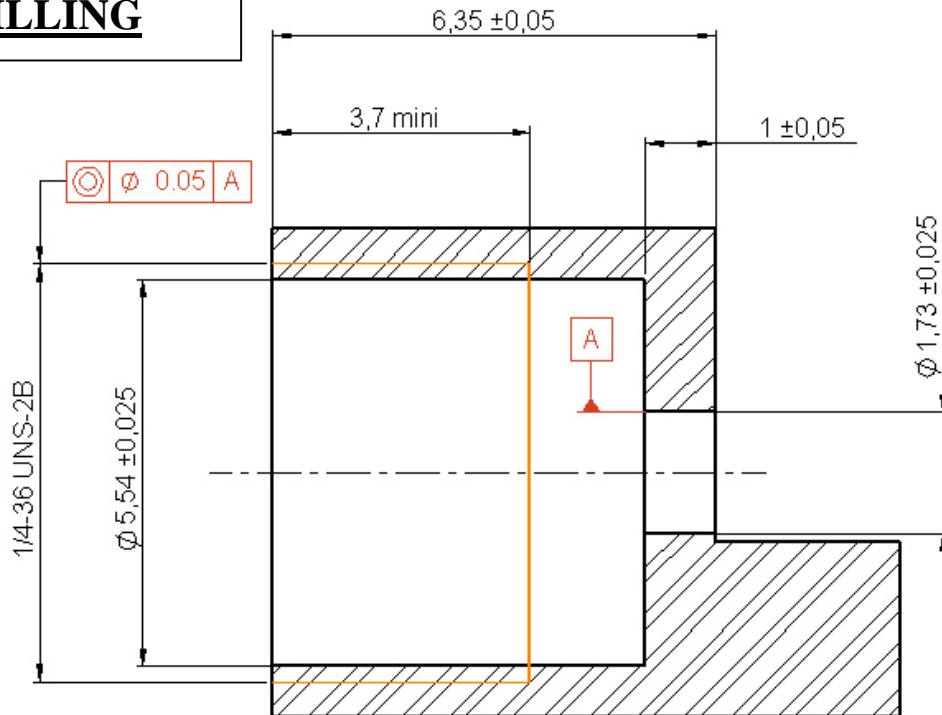


SCREW MALE RECEPTACLE

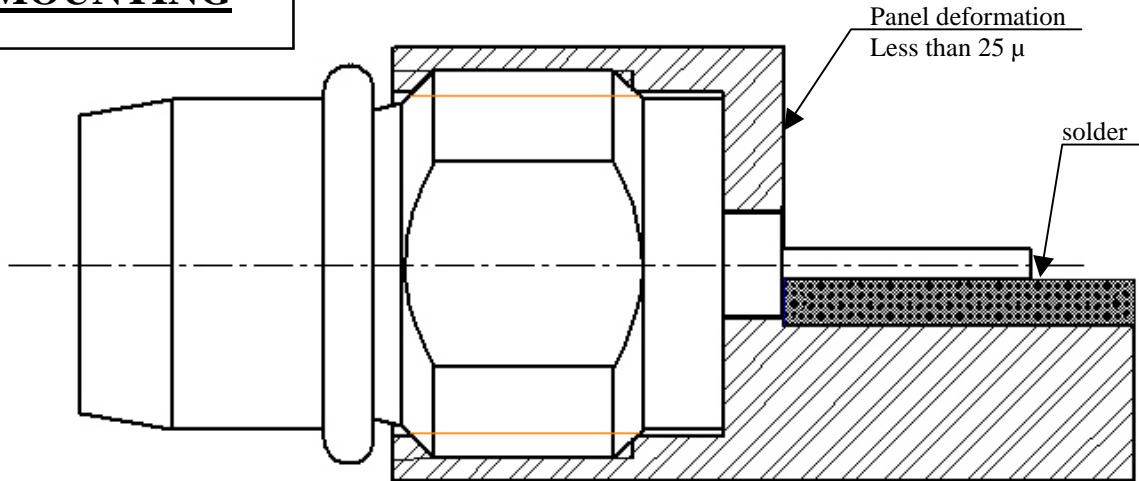
R128.555.101

Series : BMA

PANEL DRILLING



MOUNTING



**Screw the whole into the housing.
Tighten the connector up to 5.4 inch – pounds torque
(use special tooling set RADIAL L R282.340 010).
Then solder the pin on the track.
Beware there is not too much solder.**

Issue : 0448 B

In the effort to improve our products, we reserve the right to make changes judged to be necessary.

