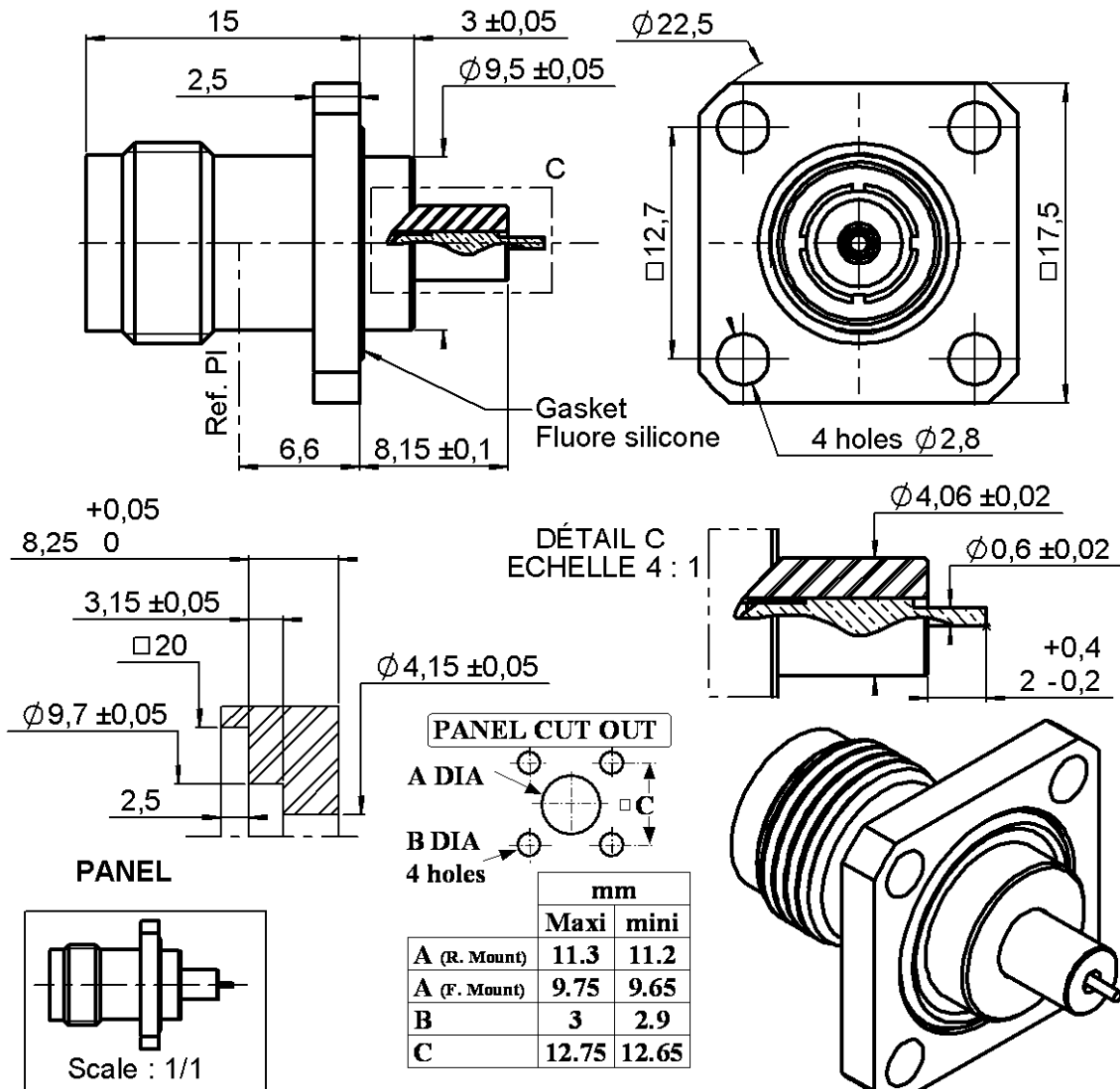


JACK FLANGE RECEPTACLE FRONT MOUNTING

R143.408.040

ETANCHE PANNEAU ET PASSAGE

Series : TNC



All dimensions are in mm.

COMPONENTS	MATERIALS	PLATING (µm)
BODY	BRASS	NICKEL 2
CENTER CONTACT	BERYLLIUM COPPER	GOLD 0.5 OVER NICKEL 2
OUTER CONTACT	-	-
INSULATOR	PTFE	-
GASKET	SILICONE RUBBER	-
OTHERS PARTS	BRASS	SILVER 5 OVER COPPER 0.5
-	-	-
-	-	-

Issue : 1140 A

In the effort to improve our products, we reserve the right to make changes judged to be necessary.



JACK FLANGE RECEPTACLE FRONT MOUNTING

R143.408.040

ETANCHE PANNEAU ET PASSAGE

Series : TNC

PACKAGING

SPECIFICATION

Standard	Unit	Other
100	'W' option	Contact us

ELECTRICAL CHARACTERISTICS

ENVIRONMENTAL

Impedance	50	Ω
Frequency	0-11	GHz
VSWR	*1.7 + 0,0000	x F(GHz) Maxi
Insertion loss	0.15	\sqrt{F} (GHz) dB Maxi
RF leakage	- (NA	- F(GHz)) dB Maxi
Voltage rating	500	Veff Maxi
Dielectric withstanding voltage	1500	Veff mini
Insulation resistance	5000	M Ω mini

Operating temperature	-65/+165	$^{\circ}$ C
Hermetic seal	10-4	Atm.cm3/s
Panel leakage	IP68**	

OTHER CHARACTERISTICS

Assembly instruction **NA**

Others :

*VSWR at 10 GHz : 1.4

Compliant has MIL C 39012

** (2 hours / 1 meter)

MECHANICAL CHARACTERISTICS

Center contact retention		
Axial force – Mating end	18	N mini
Axial force – Opposite end	18	N mini
Torque	2.8	N.cm mini
Recommended torque		
Mating	NA	N.cm
Panel nut	NA	N.cm
Mating life	500	Cycles mini
Weight	9,9500	g

Issue : 1140 A

In the effort to improve our products, we reserve the right to make changes judged to be necessary.

RADIALL 