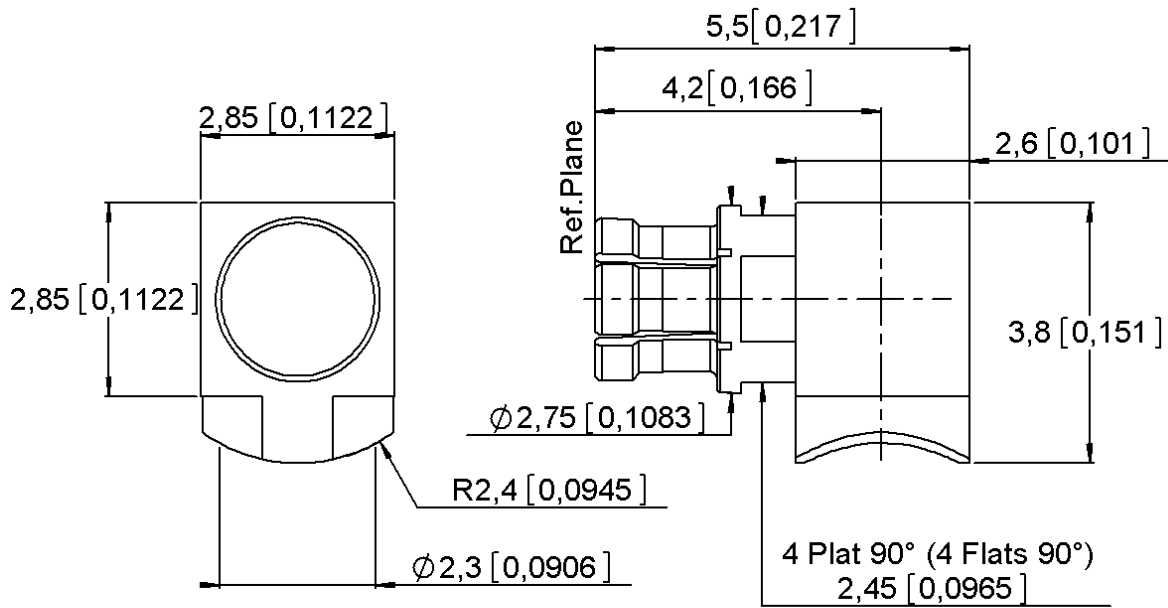
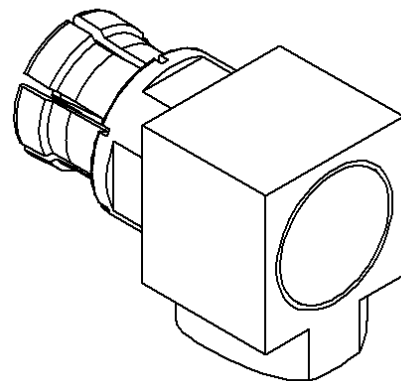


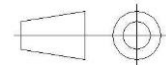
PAGE 1/3	ISSUE 08-06-15A	SERIES SMPM	PART NUMBER R201152000
----------	-----------------	-------------	------------------------



Scale : 1/1



All dimensions are in mm.



COMPONENTS	MATERIALS	PLATING (μm)
Body	BERYLLIUM COPPER	GOLD 1.3 OVER NICKEL2
Center contact	BERYLLIUM COPPER	GOLD 1.3 OVER NICKEL2
Outer contact	-	-
Insulator	PEEK	
Gasket	-	
Others parts	BRASS	GOLD 1.3 OVER NICKEL2
-	-	-
-	-	-

PAGE 2/3	ISSUE 08-06-15A	SERIES SMPM	PART NUMBER R201152000
-----------------	------------------------	--------------------	-------------------------------

PACKAGING

Standard	Unit	Other
100	Contact us	Contact us

ELECTRICAL CHARACTERISTICS

Impedance	50	Ω
Frequency	0-18	GHz
VSWR	*1.3 + 0,0000	x F(GHz) Maxi
Insertion loss	0.12	\sqrt{F} (GHz) dB Maxi
RF leakage	- (NA)	- F(GHz)) dB Maxi
Voltage rating	335	Veff Maxi
Dielectric withstanding voltage	500	Veff mini
Insulation resistance	5000	M Ω mini

MECHANICAL CHARACTERISTICS

Center contact retention		
Axial force – Mating End	6.7	N mini
Axial force – Opposite end	6.7	N mini
Torque	NA	N.cm mini
Recommended torque		
Mating	NA	N.cm
Panel nut	NA	N.cm
Clamp nut	NA	N.cm
A/F clamp nut	0,0000	mm
Mating life	500	Cycles mini
Weight	0,1800	g

ENVIRONMENTAL

Operating temperature	-40/+125	$^{\circ}\text{C}$
Hermetic seal	NA	Atm.cm3/s
Panel leakage	NA	

SPECIFICATION

CABLE ASSEMBLY

Stripping	a	b	c	d	e	f
mm	1,78	0	0	0	0	0

Assembly instruction:

Recommended cable(s)

RG 405
SHF2.4M

Characteristics indicated on this data sheet are those that can be achieved with the highest performance cable. Intrinsic limitations of the cable may diminish the performance of the assembly

Cable retention

- pull off	130	N mini
- torque	NA	N.cm

TOOLING

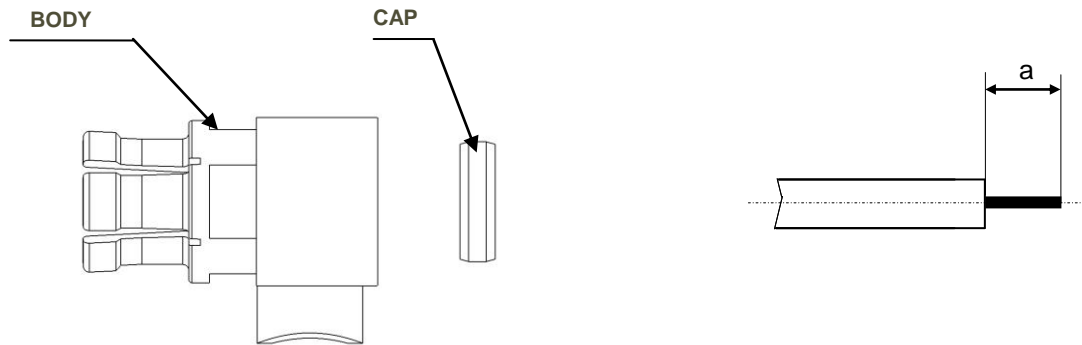
Part Number	Description	Hexagon
R282740020	SOLDERING MOUNTING	

OTHER CHARACTERISTICS

***VSWR 1.25 TO 12 GHz**

PAGE 3/3	ISSUE 08-06-15A	SERIES SMPM	PART NUMBER R201152000
----------	-----------------	-------------	------------------------

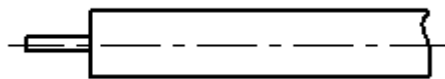
COMPONENT



We recommend a cable thermal preconditioning before assembly

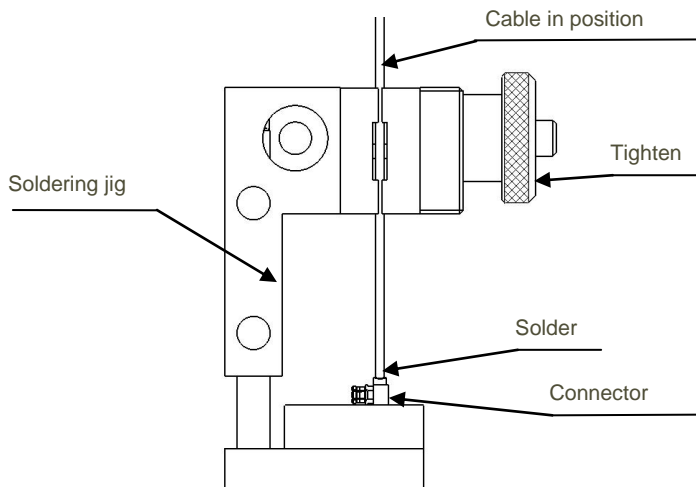
1

- Strip the cable.
- Clean the cable



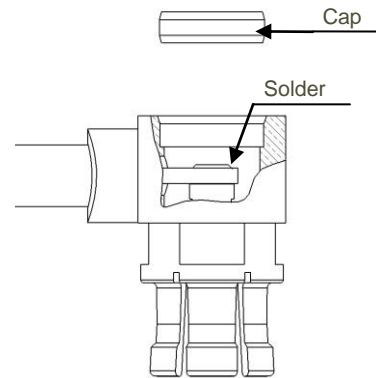
2

- Introduce the cable into the connector body until it stops.
- Place the sub assembly into the assembly and tighten it .
- Solder the body onto the cable.
- After cooling remove cable assembly from the jig.



3

- Solder cable inner conductor into the centre contact.
- Clean soldering area



4

- Put the cap in its place.
- Press cap flush or slightly below surface of body assembly.

