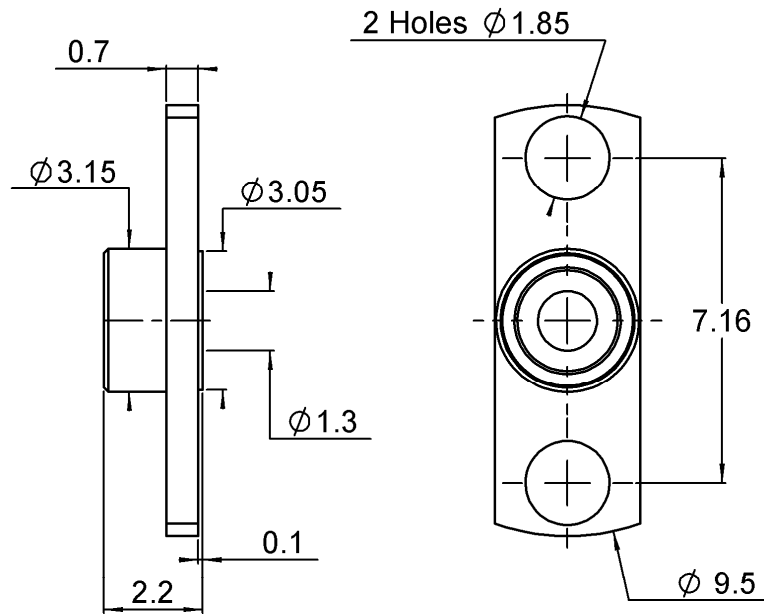


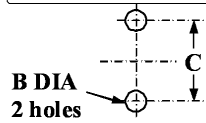
STRAIGHT RECEPTACLE 2 HOLES FLANGE
FOR PIN 0.3 MM SMOOTH BORE

R201.450.701

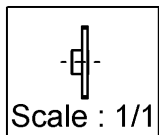
Series : SMPM



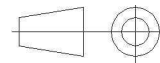
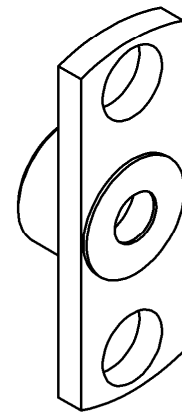
PANEL CUT OUT



	mm	
	Maxi	mini
B	1.9	1.8
C	7.21	7.11



All dimensions are in mm.



COMPONENTS	MATERIALS	PLATING (µm)
BODY	STAINLESS STEEL	PASSIVATED
CENTER CONTACT	-	-
OUTER CONTACT	-	-
INSULATOR	-	-
GASKET	-	-
OTHERS PARTS	-	-
-	-	-
-	-	-

Issue : 1435 A

In the effort to improve our products, we reserve the right to make changes judged to be necessary.



STRAIGHT RECEPTACLE 2 HOLES FLANGE

R201.450.701

FOR PIN 0.3 MM SMOOTH BORE

Series : SMPM

PACKAGING

SPECIFICATION

Standard	Unit	Other
100	'W' option	Contact us

ELECTRICAL CHARACTERISTICS

ENVIRONMENTAL

Impedance	NA	Ω
Frequency	NA	GHz
VSWR	NA + 0,0000	x F(GHz) Maxi
Insertion loss	NA	\sqrt{F} (GHz) dB Maxi
RF leakage	NA - (F(GHz)) dB Maxi
Voltage rating	NA	Veff Maxi
Dielectric withstanding voltage	NA	Veff mini
Insulation resistance	NA	M Ω mini

Operating temperature	-65/+165	$^{\circ}$ C
Hermetic seal	NA	Atm.cm3/s
Panel leakage	NA	

OTHER CHARACTERISTICS

Assembly instruction

Others :

MECHANICAL CHARACTERISTICS

Center contact retention		
Axial force – Mating end	NA	N mini
Axial force – Opposite end	NA	N mini
Torque	NA	N.cm mini
Recommended torque		
Mating	NA	N.cm
Panel nut	NA	N.cm
Mating life	500	Cycles mini
Weight	0,1300	g

Issue : 1435 A

In the effort to improve our products, we reserve the right to make changes judged to be necessary.

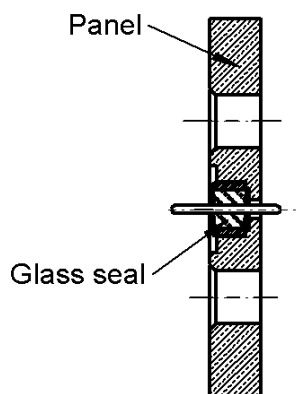


STRAIGHT RECEPTACLE 2 HOLES FLANGE**R201.450.701****FOR PIN 0.3 MM SMOOTH BORE**

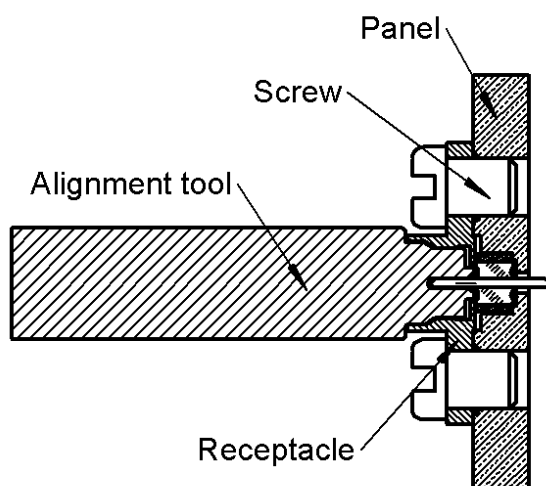
Series : SMPM

**ADDITIONAL INFORMATIONS
MOUNTING INSTRUCTIONS**

Check the quality of the soldering, as well as the position of the glass seal in the package.



Place the receptacle and pre-assemble screw on the package.
Mount the alignment tool R282.860.034 into the flange to ensure a good concentricity.
Screw the receptacle on the package.
Remove the aligning positioner.



Issue : 1435 A

In the effort to improve our products, we reserve the right to make changes judged to be necessary.

RADIALL 