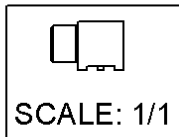
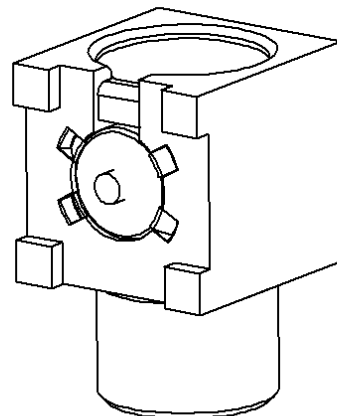
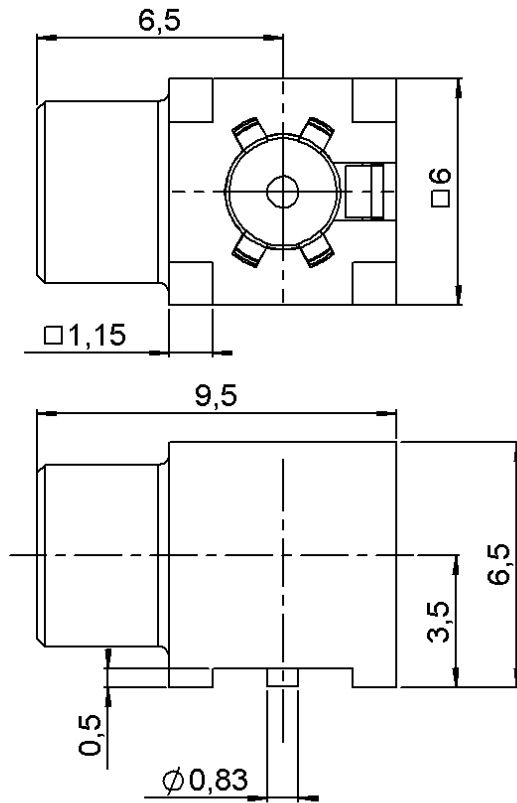


RIGHT ANGLE FEMALE RECEPTACLE FOR PCB

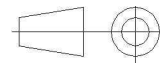
R213.664.800

SOLDER LEGS

Series : MCX 75



All dimensions are in mm.



COMPONENTS	MATERIALS	PLATINGS (µm)
BODY	BRASS	.GOLD 0.2 OVER NICKEL 2
CENTER CONTACT	BERYLLIUM COPPER	GOLD 0.5 OVER NICKEL 2
OUTER CONTACT	-	-
INSULATOR	PTFE	-
GASKET	-	-
OTHERS PARTS	BRASS	.GOLD 0.2 OVER NICKEL 2
-	-	-
-	-	-

Issue : 0740 C

In the effort to improve our products, we reserve the right to make changes judged to be necessary.



RIGHT ANGLE FEMALE RECEPTACLE FOR PCB

R213.664.800

SOLDER LEGS

Series : **MCX 75**

PACKAGING

SPECIFICATION

Standard	Unit	Other
100	'W' option	Contact us

ELECTRICAL CHARACTERISTICS

ENVIRONMENTAL

Impedance	75	Ω
Frequency	0-6	GHz
VSWR	1.45 + 0,0000	x F(GHz) Maxi
Insertion loss	0.1	\sqrt{F} (GHz) dB Maxi
RF leakage	- (NA)	- F(GHz)) dB Maxi
Voltage rating	335	Veff Maxi
Dielectric withstanding voltage	1000	Veff mini
Insulation resistance	1000	M Ω mini

Operating temperature	-55/+155	$^{\circ}$ C
Hermetic seal	NA	Atm.cm3/s
Panel leakage	NA	

OTHERS CHARACTERISTICS

Assembly instruction

Others :

MECHANICAL CHARACTERISTICS

Center contact retention		
Axial force – Mating end	10	N mini
Axial force – Opposite end	10	N mini
Torque	NA	N.cm mini
Recommended torque		
Mating	NA	N.cm
Panel nut	NA	N.cm
Mating life	500	Cycles mini
Weight	1,6600	g

Issue : 0740 C

In the effort to improve our products, we reserve the right to make changes judged to be necessary.



RIGHT ANGLE FEMALE RECEPTACLE FOR PCB

R213.664.800

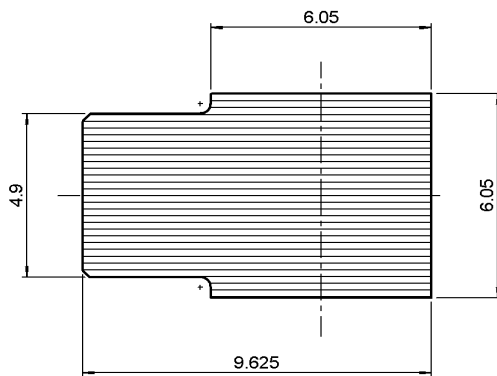
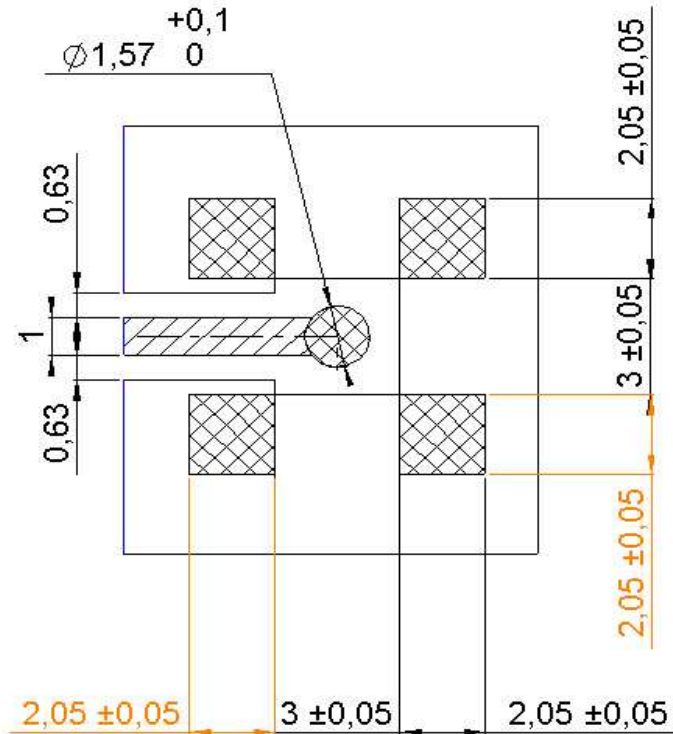
SOLDER LEGS

Series : **MCX 75**

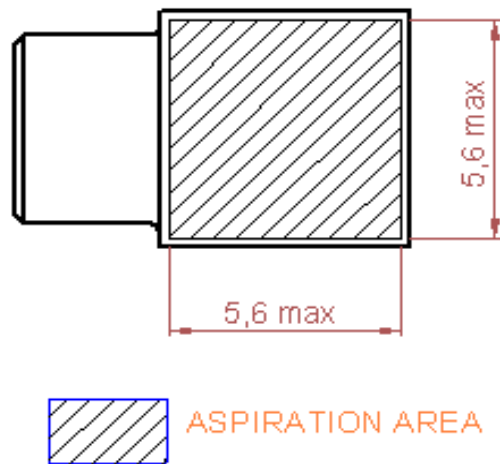
MCX 75 SERIES - INFORMATION

Coplanar line : pattern and signal are on the same side . Thickness of PCB : .063(1.6mm)

The material of PCB is the epoxy resin of glass fabrics bacs . (Er = 4.8) . The solder resist should be printed except for the land pattern on the PCB .



SHADOW OF MCX RECEPTACLE FOR VIDEO CAMERA



ASPIRATION AREA

Issue : 0740 C

In the effort to improve our products, we reserve the right to make changes judged to be necessary.



RIGHT ANGLE FEMALE RECEPTACLE FOR PCB

R213.664.800

SOLDER LEGS

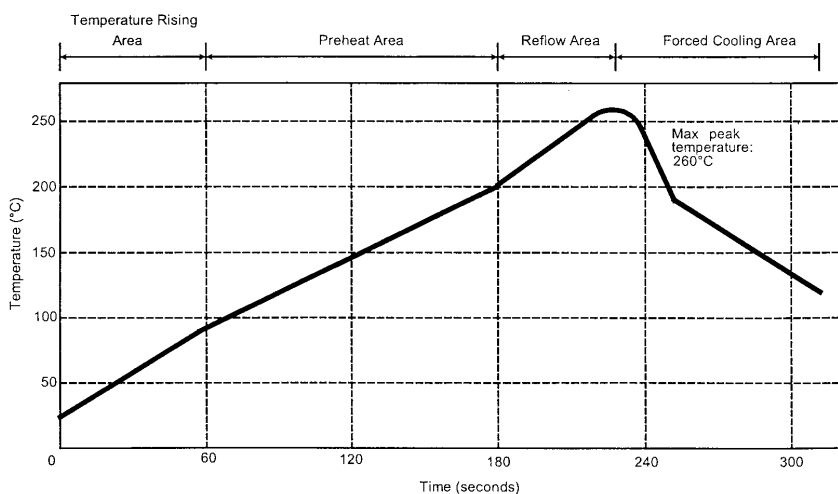
Series : MCX 75

SOLDER PROCEDURE

1. Deposit solder paste ‘SnAg4Cu0.5’ on mounting zone by screen printing application. We recommend a low residue flux.
We advise a thickness of 150 micromm (5.850 microinch). Verify that the edges of the zone are clean.
2. Placement of the receptacle on the mounting zone with an automatic machine of ‘pick and place’ type. A video camera is recommended for positioning of the component . Adhesive agents must not be used on the receptacle.
3. This process of soldering has been tested with convection oven .Below please find ,the typical profile to use.
4. The cleaning of printed circuit boards is not obliged .
5. Verification of solder joints and position of the component by visual inspection.

NOTE : The receptacle and the plug must not be mated before completion of this procedure

TEMPERATURE PROFILE



Parameter	Value	Unit
Temperature rising Area	1 - 4	°C/sec
Max Peak Temperature	260	°C
Max dwell time @260°C	10	sec
Min dwell time @235°C	20	sec
Max dwell time @235°C	60	sec
Temperature drop in cooling Area	-1 to -4	°C/sec
Max dwell time above 100°C	420	sec

Issue : 0740 C

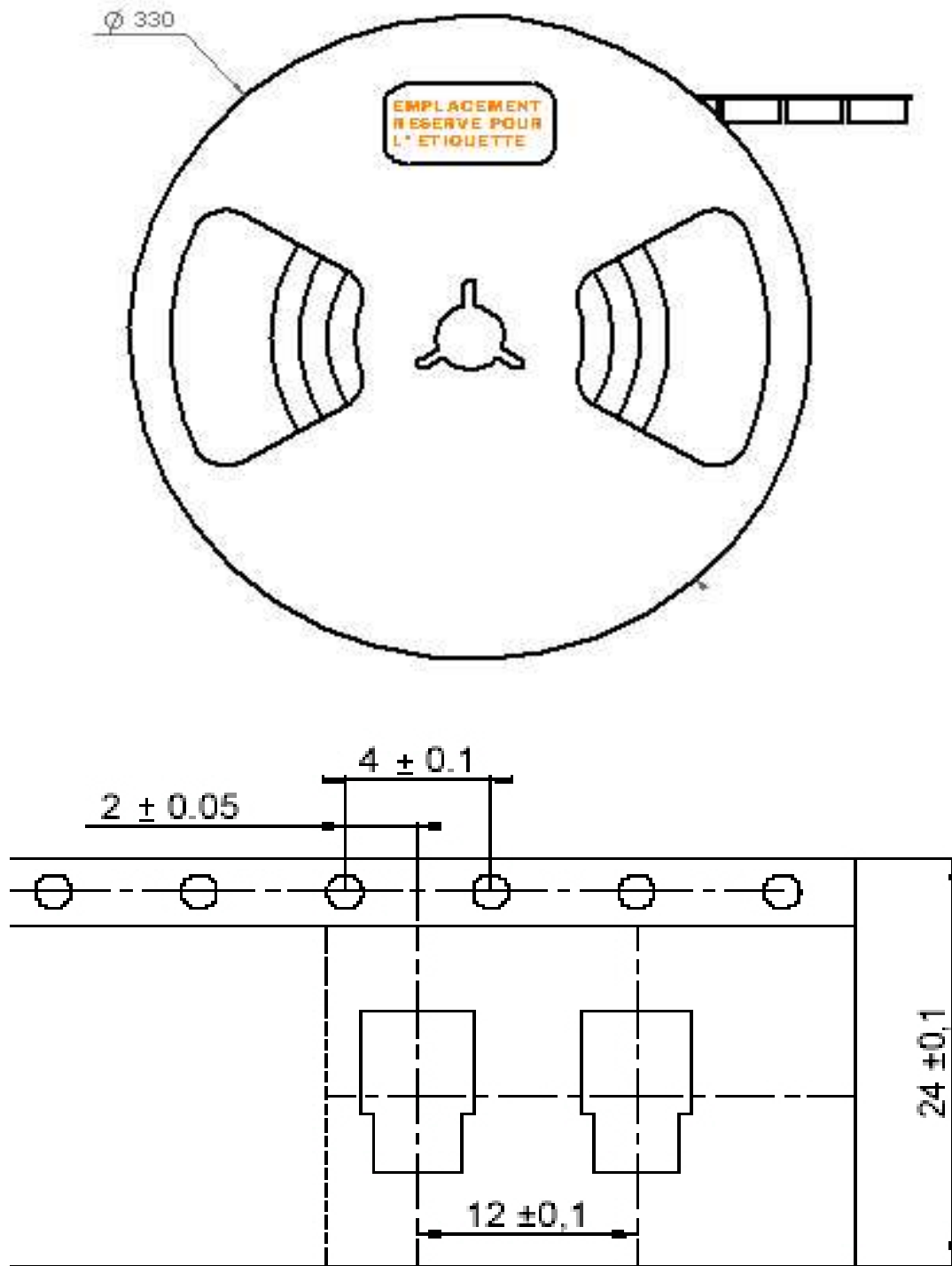
In the effort to improve our products, we reserve the right to make changes judged to be necessary.



RIGHT ANGLE FEMALE RECEPTACLE FOR PCB
SOLDER LEGS

R213.664.800

Series : MCX 75



Issue : 0740 C

In the effort to improve our products, we reserve the right to make changes judged to be necessary.

