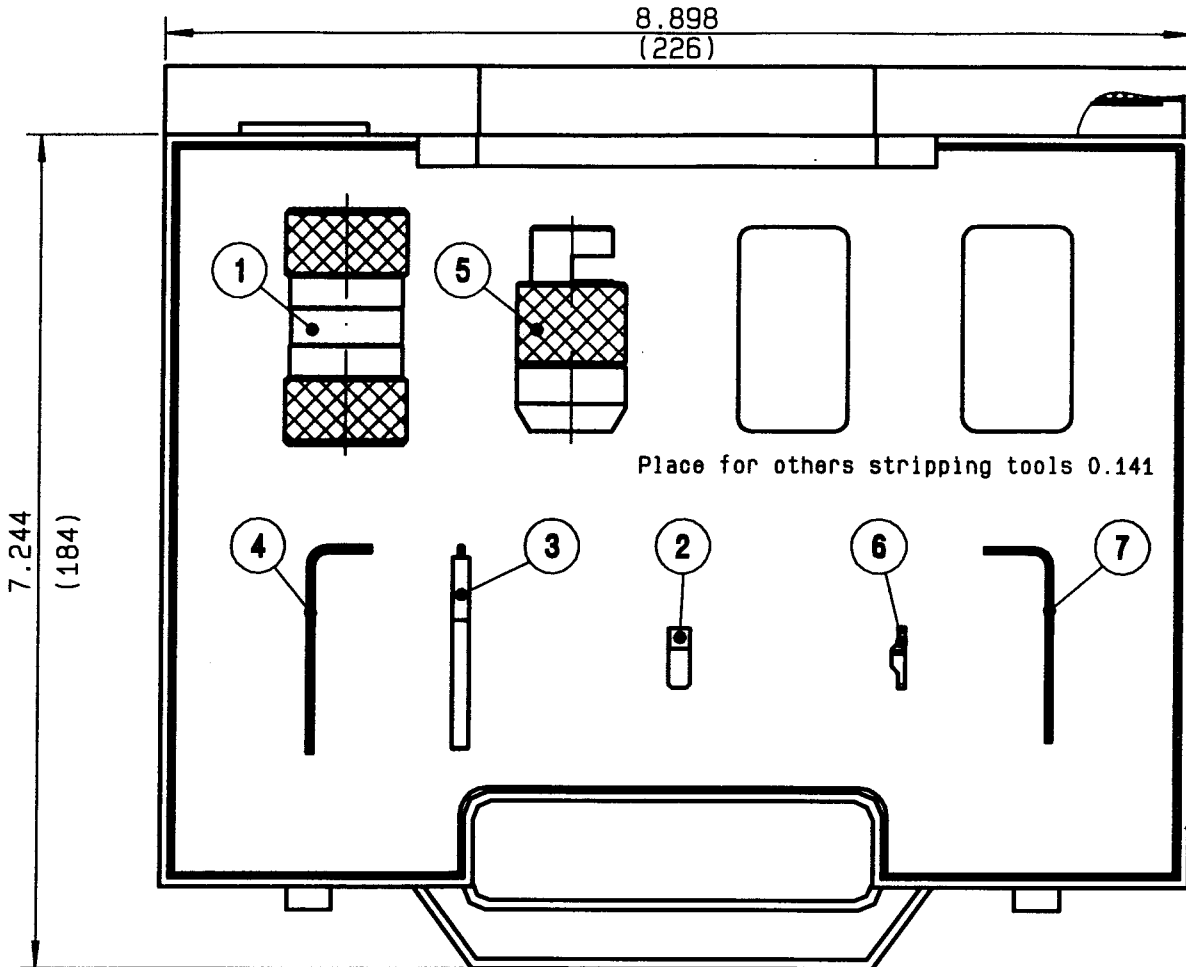




TOOLBOX
STRIPPING TOOL + CONING TOOL .141 - 3.17

Series : TOOLING

1 / 1



All dimensions are inches
Except (mm)

NOMENCLATURE

- 1 - R 282 053 000 Stripping tool 0.141
- 2 - R 282 055 000 Replacement stripping blade
- 3 - R 282 864 120 Blade installation gauge 0.141
- 4 - R 282 344 150 0.059 inch (across flats) male hex key
- 5 - R 282 067 000 Coning and length-setting tool 3.17 long on .141 cable
- 6 - R 282 056 118 Replacement coning blade
- 7 - R 282 344 127 0.05 inch (across flats) male hex key

ISSUE	REVISION No	DESCRIPTION	BY	DATE

Initiated on 13/02/97

The information given here is subject to change without notice. Design changes may be in order to improve the product.



Approval by VIGNARD