



RADIALL

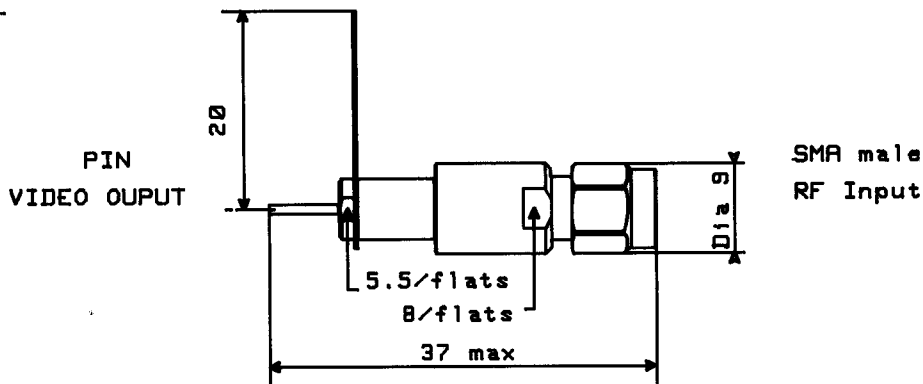
R451 033500

**TECHNICAL
DATA SHEET**

TITLE HIGH SENSITIVITY COAXIAL DETECTOR

LTR. A

DRAWING:



General tolerances ± 0.5 mm

ELECTRICAL CHARACTERISTICS:

IMPEDANCE : 50 Ω
 FREQUENCY RANGE : 1 - 18 GHz
 V.S.W.R. : N / A
 SENSITIVITY LOW LEVEL $P_E = < -20$ dBm : 1500 mV / mW
 TANGENTIAL SENSITIVITY : - 50 dBm mini
 FREQUENCY RESPONSE : ± 2 dB
 VIDEO CAPACITY (Typical) : 20 pF
 MAXIMUM POWER (CW) : 200 mW max.
 POLARITY : Positive
 DIODE : ``ZERO BIAS`` SCHOTTKY

MECHANICAL CHARACTERISTICS:

CONNECTOR RF INPUT : SMA male per MIL C 39012
 VIDEO OUTPUT : Pin and Solder lug
 WEIGHT : 10 grams

ENVIRONMENTAL CHARACTERISTICS:

OPERATING TEMPERATURE RANGE : - 25°C + 70°C
 STORAGE TEMPERATURE RANGE : - 40°C + 85°C

Tentative data subject to change without notice.

3294 - 9011

PEN	QUALITY Dpt App.				
CAT					
PAGE	DATE	NAME	LTR	REVISIONS	DATE APP.
1 / 1	01/04/92	K. LUCIEN			