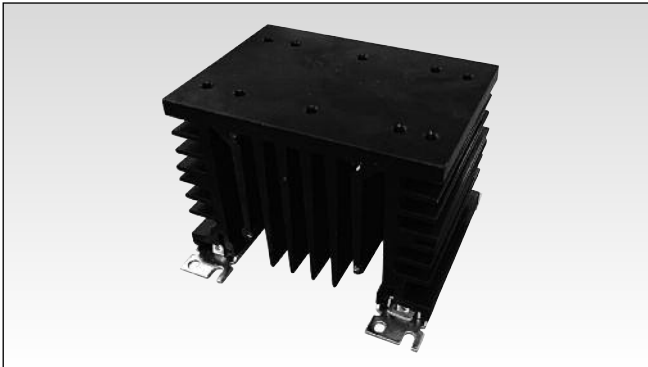


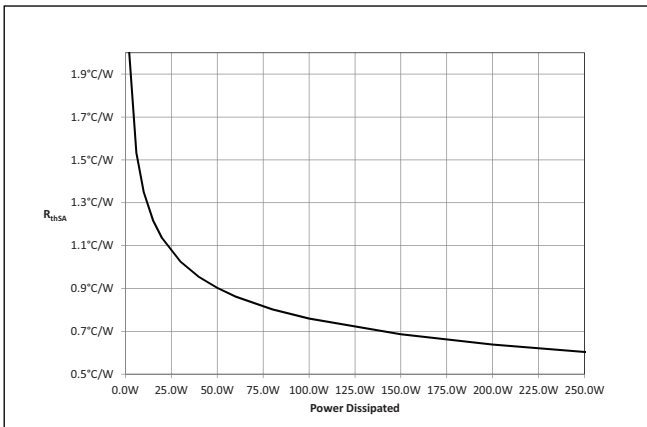
Solid State Relays Accessories, Heatsinks Types RHS112A, RHS112AD

CARLO GAVAZZI



- 0.76 °C/W thermal resistance
- Suitable for mounting of 1-phase or 3-phase SSRs
- Din rail mounting
- Suitable for panel mounting
- Dimensions W x H x D: 112 x 103 x 80 mm
- RoHS compliant

Thermal Resistance Curve



Ordering Key

RHS112A

RHS112AD

Product Description

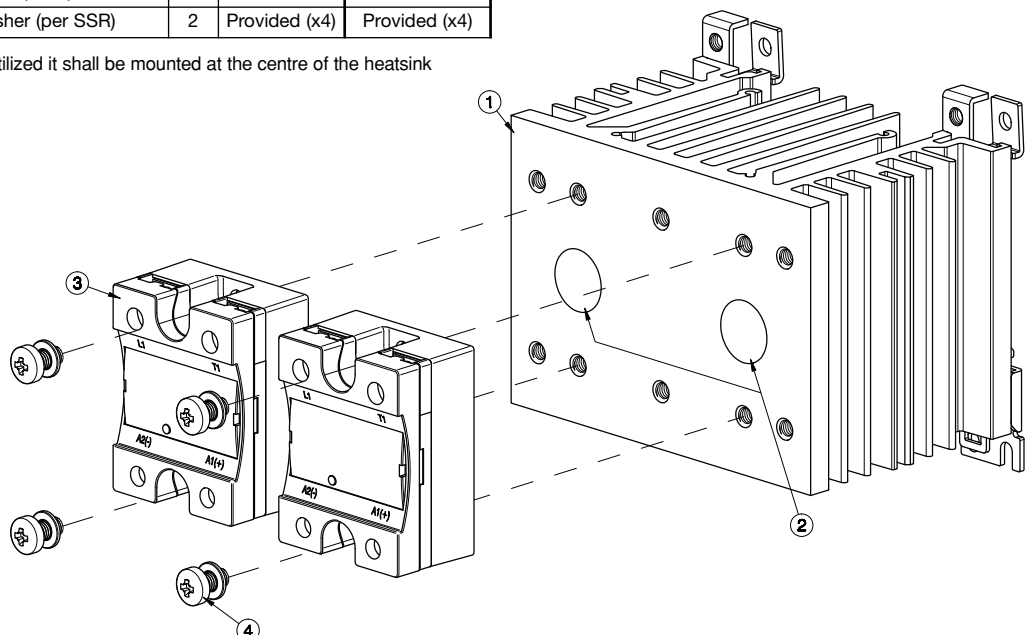
Heatsink assembly suitable for mounting of maximum 2x 1-phase solid state relay (SSR) or 1x 3-phase SSR.

Suffix H17 added to SSR part no. refers to factory mounted heatsink. Conditions apply. Please ask your Sales representative for further details.

Heatsink Assembly

Components for assembly		Qty	RHS112A	RHS112AD
1	RHS112A Heatsink Assembly	1	Provided	Provided
2	Thermal Compound HTS02S	1	Provided	Not Provided
3	1-phase SSR 45x59mm (max.)	2	Not Provided	Not Provided
4	M5x10mm PZ2 + Washer (per SSR)	2	Provided (x4)	Provided (x4)

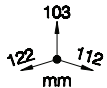
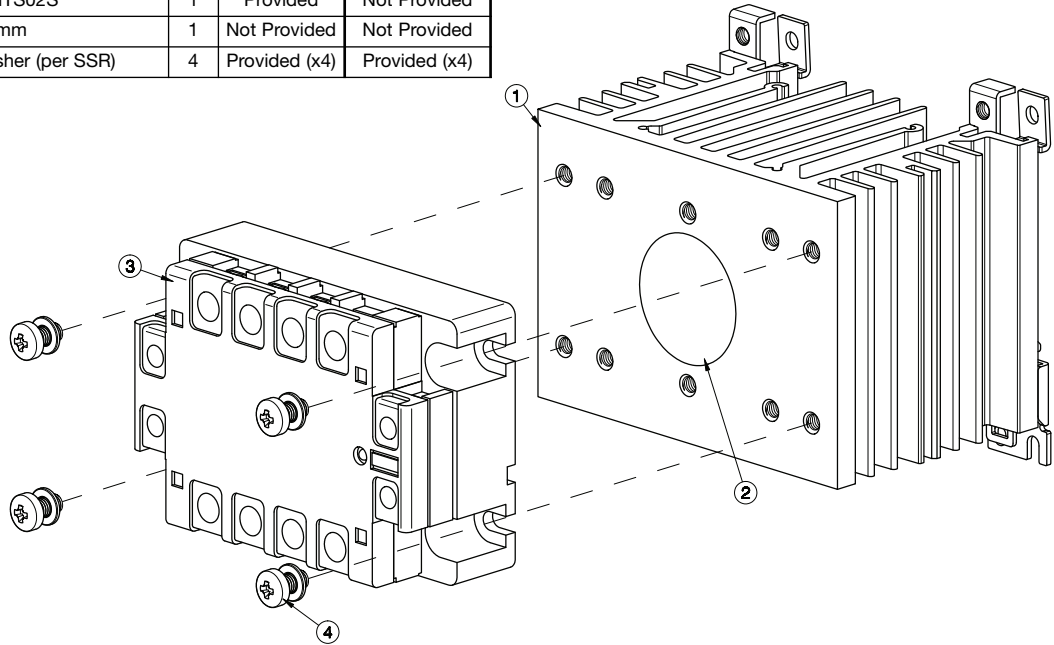
Note: When only 1 SSR is utilized it shall be mounted at the centre of the heatsink



Dimensions including the SSR

Heatsink Assembly

Components for assembly		Qty	RHS112A	RHS112AD
1	RHS112A Heatsink Assembly	1	Provided	Provided
2	Thermal Compound HTS02S	1	Provided	Not Provided
3	3-phase SSR 104x74mm	1	Not Provided	Not Provided
4	M5x10mm PZ2 + Washer (per SSR)	4	Provided (x4)	Provided (x4)

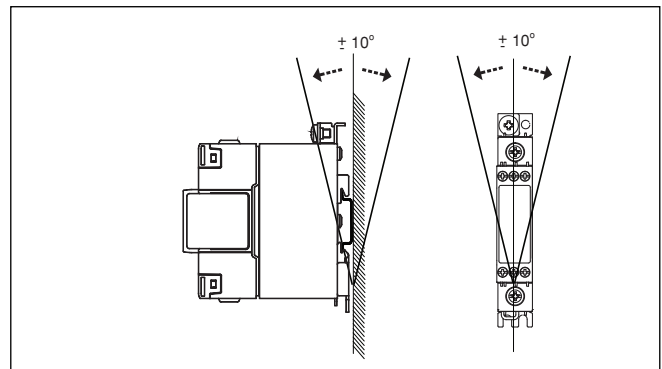


Dimensions including the SSR

General Specifications

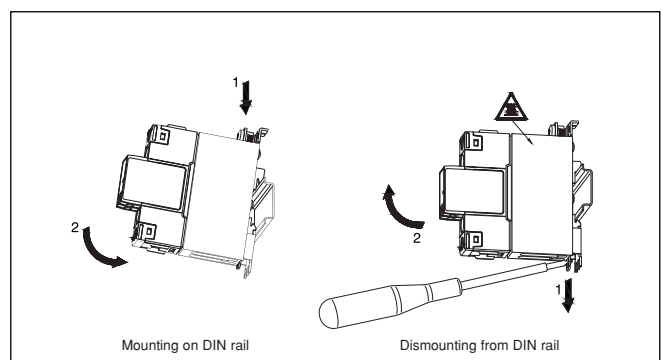
SSR max. mounting torque	1.5Nm (13.3 lb-in)
Weight (excl. SSR)	approx. 840g
Material	Aluminium
Finish	Black anodization
Fan mounting	refer to models: RHS112AF60-24 or RHSF112AF60-230

Mounting Position



Illustrations are for example only

Installation





Recommended Maximum Current Rating (per SSR)

Notes:

- The below recommendations are only valid when the assembly (SSR + heatsink) is mounted as shown in the mounting instructions unless otherwise indicated.
- The indicated ratings are applicable to one SSR, one pole. Please refer to the online selector tool at www.productselection.net for different load currents, surrounding temperatures or multiple units on one heatsink.
- These recommendations are applicable only with the indicated Carlo Gavazzi thermal interface material between SSR and heatsink. In case a different thermal interface is utilised these recommendation may no longer be valid.

Thermal interface = Thermal compound, HTS02S

Thermal interface = Thermal pad, KK071CUT

1x 1-phase SSR	Surrounding temperature							
	°C	20	30	40	50	60	70	80
	°F	68	86	104	122	140	158	176
RD..	1	1	1	1	1	1	1	n/a
	5	5	5	5	5	5	5	n/a
RA..L	10	10	10	10	10	10	10	n/a
RA..T	25	25	25	24	21	17.5	14.5	n/a
RA..	25	25	25	25	23.5	19.5	15	n/a
	50	47.5	44.5	38.5	32.5	26	20	n/a
	90	64.5	60.5	52	43.5	35	26.5	n/a
	110	73.5	68.5	59	49	39	29	n/a
RA60..	50	46.5	44	38	32.5	26.5	20.5	n/a
RA2A..*	25	25	25	25	24.5	20.5	14	n/a
	40	36.5	35	31	27.0	22.5	15	n/a
	25M	25	25	25	24.5	20.5	14	n/a
	40M	37.5	35.5	32	28	22.5	15	n/a
RS1A..	10	10	10	10	10	8	6	n/a
	25	25	25	25	25	25	21	n/a
	40	40	40	40	40	32.5	22.5	n/a
RS1A..E	25	24	22.5	20	17	14.5	11.5	n/a
	40	29	27.5	24	20.5	17.5	14.0	n/a
RM1A..	25	25	25	25	25	25	21	n/a
RM1B..	50	50	50	50	42.5	32.5	22.5	n/a
RM1C..	75	75	74	64	51.5	39.5	27	n/a
	100	90.5	84.5	70.5	56.5	42.5	29	n/a
RM1A60..								
RM1B60..	50	50	49.5	44.5	39	33	23	n/a
RM1C60..								
RM1E60..								
RAM1A..	25	25	25	25	25	25	21	12
	50	50	50	50	42.5	32.5	22.5	12.5
	75	75	74	64	51.5	39.5	27	15
	100	78	74	64	51.5	39.5	27	15
	125	90.5	84.5	70.5	56.5	42.5	29	16

1x 1-phase SSR	Surrounding temperature							
	°C	20	30	40	50	60	70	80
	°F	68	86	104	122	140	158	176
RD..	1	1	1	1	1	1	1	n/a
	5	5	5	5	5	5	5	n/a
RA..L	10	10	10	10	10	10	10	n/a
RA..T	25	25	23.5	21	18.5	15.5	12.5	n/a
RA..	25	25	25	25	21.5	17.5	13.5	n/a
	50	41.5	39	34	28.5	23	17.5	n/a
	90	52.5	49.5	42.5	36	29	22	n/a
	110	59	55	47.5	39.5	32	24	n/a
RA60..	50	41	38.5	33.5	28.5	23.5	18	n/a
RA2A..*	25	25	25	25	22	19	14	n/a
	40	33	31	27.5	24.5	21	15.5	n/a
	25M	25	25	25	22	19	14	n/a
	40M	33.5	31.5	28.5	25	21	15.5	n/a
RS1A..	10	10	10	10	9.5	7.5	5.5	n/a
	25	25	25	25	25	23.5	17	n/a
	40	40	40	40	33.5	25.5	18	n/a
RS1A..E	25	21.5	20	17.5	15	13	10.5	n/a
	40	25	23.5	20.5	17.5	15	12	n/a
RM1A..	25	25	25	25	25	23.5	17	n/a
RM1B..	50	50	48	41	33.5	25.5	18	n/a
RM1C..	75	60	56	47	38.5	29.5	20.5	n/a
	100	66	61	51.5	41.5	31.5	22	n/a
RM1A60..								
RM1B60..	50	45.5	43.5	39	33.5	26.5	18.5	n/a
RM1C60..								
RM1E60..								
RAM1A..	25	25	25	25	25	23.5	17	9.5
	50	50	48	41	33.5	25.5	18	10
	75	60	56	47	38.5	29.5	20.5	11.5
	100	60	56	47	38.5	29.5	20.5	11.5
	125	66	61	51.5	41.5	31.5	22	12.5

* per pole

Recommended Maximum Current Rating (per SSR)

Thermal interface = Thermal compound, **HTS02S**

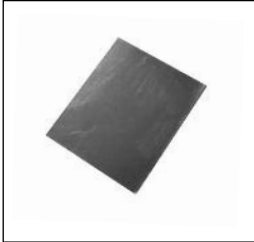
1x 3-phase SSR	Surrounding temperature							
	°C	20	30	40	50	60	70	80
	°F	68	86	104	122	140	158	176
RZ3A..	25	25	24	21	18	13	8	3.5
	55	35	33	28.5	23	17	11.5	6
	75	43.5	40.5	34	27.5	21.5	15.5	9.5

Thermal interface = Thermal pad, **RZHT**

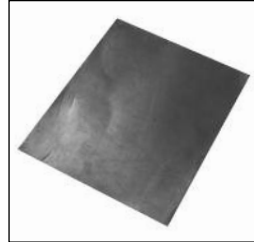
1x 3-phase SSR	Surrounding temperature							
	°C	20	30	40	50	60	70	80
	°F	68	86	104	122	140	158	176
RZ3..	25	23	21.5	19	16	13	8.5	3.5
	55	31	29.5	26	23	17.5	12	6.5
	75	42	40	34.5	28	22	15.5	9.5

Accessories

Thermal Pads



- Ordering key: **KK071CUT**
- Packing qty. 50 pcs.
- Suitable for 1-phase SSRs
- Dimensions: 35 x 43mm



- Ordering key: **RZHT**
- Packing qty. 10 pcs.
- Suitable for 3-phase SSR
- Dimensions: 70 x 77mm

Thermal Compound



- Ordering key: **HTS02S**
- 2ml syringe of silicone based thermal compound

Fans



- Ordering key: **RHSF60-24**
- Fan 60x60mm, 24VDC
- Ordering key: **RHSF60-230**
- Fan 60x60mm, 240VAC

Screw Kits



- Ordering key: **SRWKITM5X10MM**
- M5x10mm PZ2 screws + washers
- Packing qty. 20pcs.