

# Solid State Relays Industrial, 1-Phase ZS (IO) w. LED and Built-in Varistor Types RM 23, RM 40, RM 48, RM 60



- Zero switching (RM1A) or instant-on switching (RM1B) AC Solid State Relay
- Direct copper bonding (DCB) technology
- LED indication
- Built-in varistor
- Clip-on IP 20 protection cover
- Self-lifting terminals
- Housing free of moulding mass
- 2 input ranges: 3-32\* VDC and 20-280VAC/22-48VDC
- Operational ratings: Up to 100AACrms and 600VACrms
- Blocking voltage: Up to 1400V<sub>p</sub>
- Opto-isolation: > 4000VACrms
- CE, RoHS compliant
- cURus, CSA, CCC

## Product Description

The industrial, 1-phase relay with antiparallel thyristor output is the most widely used industrial SSR due to its multiple application possibilities. The relay can be used for resistive, inductive and capacitive loads. The zero switching relay switches ON when the sinusoidal curve crosses zero and switches OFF when the current crosses zero. The instant-on relay

with DC control input can be used for phase control. The built-in varistor secures transient protection for the heavy industrial applications, and the LED indicates the status of the control input. The clip-on cover is securing touch protection to IP 20. Protected output terminals can handle cables up to 16mm<sup>2</sup>.

## Ordering Key

**RM 1 A 23 D 25**

- Solid State Relay
- Number of poles
- Switching mode
- Rated operational voltage
- Control voltage
- Rated operational current

## Type Selection

Switching mode	Rated operational voltage	Control voltage	Rated operational current
A: Zero Switching B: Instant-on switching (DC Control only)	23: 230VACrms 40: 400VACrms 48: 480VACrms 60: 600VACrms	A: 20-280VAC/22-48VDC D: 3-32VDC* <small>*4 to 32VDC for 400, 480 and 600VAC types *4 to 32VDC for RM1B types</small>	25: 25AACrms 50: 50AACrms 75: 75AACrms 100: 100AACrms

## Selection Guide

Rated operational voltage	Blocking voltage	Control voltage	Rated operational current			
			25A	50A	75A	100A
230VACrms	650V <sub>p</sub>	3 - 32VDC	<b>RM1A23D25</b>	<b>RM1A23D50</b>	<b>RM1A23D75</b>	<b>RM1A23D100</b>
		20 to 280VAC 22 to 48VDC	<b>RM1A23A25</b>	<b>RM1A23A50</b>	<b>RM1A23A75</b>	<b>RM1A23A100</b>
400VACrms	850V <sub>p</sub>	4 - 32VDC	<b>RM1A40D25</b>	<b>RM1A40D50</b>	<b>RM1A40D75</b>	<b>RM1A40D100</b>
		20 to 280VAC 22 to 48VDC	<b>RM1A40A25</b>	<b>RM1A40A50</b>	<b>RM1A40A75</b>	<b>RM1A40A100</b>
480VACrms	1200V <sub>p</sub>	4 - 32VDC	<b>RM1A48D25</b>	<b>RM1A48D50</b>	<b>RM1A48D75</b>	<b>RM1A48D100</b>
		20 to 280 VAC 22 to 48VDC	<b>RM1A48A25</b>	<b>RM1A48A50</b>	<b>RM1A48A75</b>	<b>RM1A48A100</b>
600VACrms	1400V <sub>p</sub>	4 - 32VDC	<b>RM1A60D25</b>	<b>RM1A60D50</b>	<b>RM1A60D75</b>	<b>RM1A60D100</b>
		20 to 280VAC 22 to 48VDC	<b>RM1A60A25</b>	<b>RM1A60A50</b>	<b>RM1A60A75</b>	<b>RM1A60A100</b>

## General Specifications

	RM1.23...	RM1.40...	RM1.48...	RM1.60...
<b>Operational voltage range</b>				
RM1A...	24 to 265VACrms	42 to 440VACrms	42 to 530VACrms	42 to 660VACrms
RM1B...	42 to 265VACrms	42 to 440VACrms	42 to 530VACrms	42 to 660VACrms
<b>Blocking voltage</b>	≥ 650V <sub>p</sub>	≥ 850V <sub>p</sub>	≥ 1200V <sub>p</sub>	≥ 1400V <sub>p</sub>
<b>Zero voltage turn-on</b>	≤ 10V	≤ 10V	≤ 10V	≤ 10V
<b>Operational frequency range</b>	45 to 65Hz	45 to 65Hz	45 to 65Hz	45 to 65Hz
<b>Power factor</b>	> 0.5 @ 230VACrms	> 0.5 @ 400VACrms	> 0.5 @ 480VACrms	> 0.5 @ 600VACrms
<b>Approvals</b>	UR, cUR, CSA, CCC	UR, cUR, CSA, CCC	UR, cUR, CSA, CCC	UR, cUR, CSA, CCC
<b>CE-marking</b>	Yes	Yes	Yes	Yes *
<b>Isolation</b>				
Input to Output	4000 Vrms	4000 Vrms	4000 Vrms	4000 Vrms
input and Output to case	4000 Vrms	4000 Vrms	4000 Vrms	4000 Vrms

\* Heatsink must be connected to ground

## Input Specifications

	RM1...D..	RM1...A..
<b>Control voltage range</b>		
RM1A23...	3 - 32VDC	20 - 280VAC, 22 - 48VDC
RM1A40... RM1A48... RM1A60...	4 - 32VDC	20 - 280VAC, 22 - 48VDC
RM1B...	4 - 32VDC	-
<b>Pick-up voltage @ Ta = 25°C</b>		
RM1A23...	2.5VDC	18VAC/DC
RM1A40... RM1A48... RM1A60...	3.5VDC	18VAC/DC
RM1B ...	3.5VDC	-
<b>Reverse voltage</b>	32VDC	-
<b>Drop out voltage</b>	1.2VDC	6VAC/DC
<b>Input current @ max input voltage</b>		
RM1A	≤12 mA	≤ 20mA
RM1B	≤15 mA	-
<b>Response time pick-up</b>		
RM1A	1/2 cycle	12ms
RM1B	0.1ms	-
<b>Response time drop-out</b>	1/2 cycle	40ms

## Output Specifications

	RM1....25	RM....50	RM1....75	RM1....100
<b>Rated operational current</b>				
AC51 @ Ta=25°C	25Arms	50Arms	75Arms	100Arms
AC53a @ Ta=25°C	5Arms	15Arms	20Arms	30Arms
<b>Min. operational current</b>	150mA	250mA	400mA	500mA
<b>Rep. overload current t=1 s</b>	< 55AACrms	< 125AACrms	< 150AACrms	< 200AACrms
<b>Non-rep. surge current t=10 ms</b>	325A <sub>p</sub>	600A <sub>p</sub>	1150A <sub>p</sub>	1900A <sub>p</sub>
<b>Off-state leakage current @ rated voltage and frequency</b>	< 3mArms	< 3mArms	< 3mArms	< 3mArms
<b>I<sup>2</sup>t for fusing t=10 ms</b>	< 525A <sup>2</sup> s	< 1800A <sup>2</sup> s	< 6600A <sup>2</sup> s	< 18000A <sup>2</sup> s
<b>On-state voltage drop @ rated current</b>	1.6Vrms	1.6Vrms	1.6Vrms	1.6Vrms
<b>Critical dV/dt off-state min.</b>	1000V/μs	1000V/μs	1000V/μs	1000V/μs
<b>Endurance testing acc. to UL508</b>	100,000 cycles	100,000 cycles	100,000 cycles	6,000 cycles

Note: UL requirement for General Use Endurance testing is 6,000 cycles



## Motor Ratings\*: HP (UL508)

	230VAC	400VAC	480VAC	600VAC
RM1..25	1.5HP	3HP	3HP	5HP
RM1..50	3HP	5HP	7.5HP	10HP
RM1..75	5HP	10HP	10HP	15HP
RM1..100	7.5HP	15HP	20HP	25HP

\* with suitable heatsink

## Electromagnetic Compatibility

<b>EMC Immunity</b>	IEC/EN 61000-6-2	<b>Radiated Radio Frequency Immunity</b>	IEC/EN 61000-4-3
<b>Electrostatic Discharge (ESD)</b>		10V/m, 80 - 1000 MHz	Performance Criteria 1
<b>Immunity</b>	IEC/EN 61000-4-2	10V/m, 1.4 - 2.0GHz	Performance Criteria 1
Air discharge, 8kV	Performance Criteria 2	3 V/m, 2.0 - 2.7GHz	Performance Criteria 1
Contact, 4kV	Performance Criteria 2	<b>Conducted Radio Frequency Immunity</b>	IEC/EN 61000-4-6
<b>Electrical Fast Transient (Burst) Immunity</b>	IEC/EN 61000-4-4	10V/m, 0.15 - 80 MHz	Performance Criteria 1
Output: 2kV, 5kHz	Performance Criteria 1	<b>Voltage Dips Immunity</b>	IEC/EN 61000-4-11
Input: 1kV, 5kHz	Performance Criteria 1	0% for 10ms	Performance Criteria 2
<b>Electrical Surge Immunity</b>	IEC/EN 61000-4-5	70% for 500ms	Performance Criteria 2
Output, line to line, 1kV	Performance Criteria 2	<b>Voltage Interruptions Immunity</b>	IEC/EN 61000-4-11
Output, line to earth, 2kV	Performance Criteria 2	0% for 5000ms	Performance Criteria 2
Input, line to line, 1kV (RM1..D..)	Performance Criteria 2		
Input, line to earth, 2kV (RM1..D..)	Performance Criteria 2		
Input, line to line, 500V <sup>1</sup> (RM1..A..)	Performance Criteria 2		
Input, line to earth, 500V <sup>1</sup> (RM1..A..)	Performance Criteria 2		
<b>EMC Emission</b>	IEC/EN 61000-6-4	<b>Radio Interference Field Emission (Radiated)</b>	IEC/EN 55011
<b>Radio Interference</b>		<b>30 - 1000MHz</b>	Class B
<b>Voltage Emission (Conducted)</b>	IEC/EN 55011		
<b>0.15 - 30MHz</b>	Class A (industrial) with filters IEC/EN 60947-4-3 Class A (no filtering needed up to 75AAC)		

\* For higher surge voltage levels a varistor should be connected across the control terminals.

Notes:

- Control input lines must be installed together to maintain products' susceptibility to Radio Frequency interference.
- Performance Criteria 1: No degradation of performance or loss of function is allowed when the product is operated as intended.
- Performance Criteria 2: During the test, degradation of performance or partial loss of function is allowed. However, when the test is complete the product should return operating as intended by itself.
- Performance Criteria 3: Temporary loss of function is allowed, provided the function can be restored by manual operation of the controls.

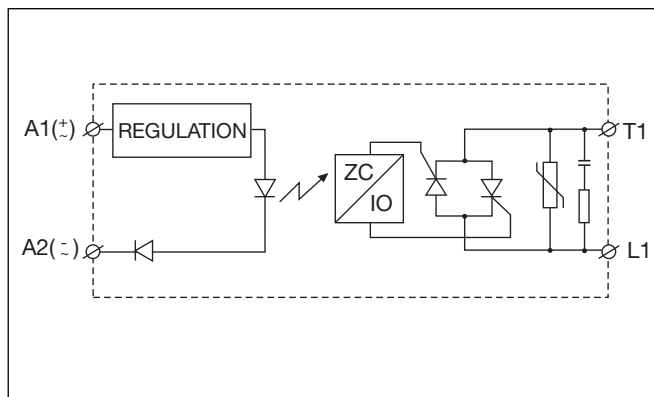
## Thermal Specifications

	RM1....25	RM1....50	RM1.60.50	RM1....75	RM1....100
Operating temperature range	-20° to 70°C	-20° to 70°C	-20° to 70°C	-20° to 70°C	-20° to 70°C
Storage temperature range	-40° to 100°C	-40° to 100°C	-40° to 100°C	-40° to 100°C	-40° to 100°C
Junction temperature	≤ 125°C	≤ 125°C	≤ 125°C	≤ 125°C	≤ 125°C
R <sub>th</sub> junction to case	≤ 0.80°C/W	≤ 0.50°C/W	≤ 0.72°C/W	≤ 0.35°C/W	≤ 0.30°C/W
R <sub>th</sub> junction to ambient	≤ 20.0°C/W	≤ 20.0°C/W	≤ 20.0°C/W	≤ 20.0°C/W	≤ 20.0°C/W

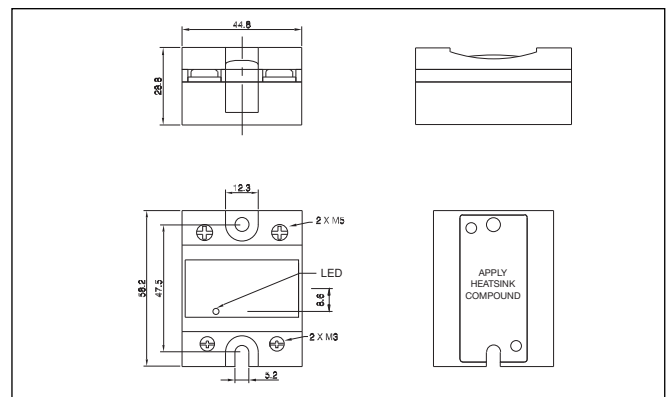
## Housing Specifications

<b>Weight</b> 25A, 50A 75A, 100A	Approx. 60g Approx. 100g	<b>Relay</b> Mounting screws Mounting torque	M5 1.5-2.0Nm
<b>Baseplate</b> 25A, 50A 75A, 100A	Aluminium Copper, nickel-plated	<b>Control terminal</b> Mounting screws Mounting torque	M3 x 9 0.5Nm
<b>Potting compound</b>	None	<b>Power terminal</b> Mounting screws Mounting torque	M5 x 9 2.4Nm

## Functional Diagram

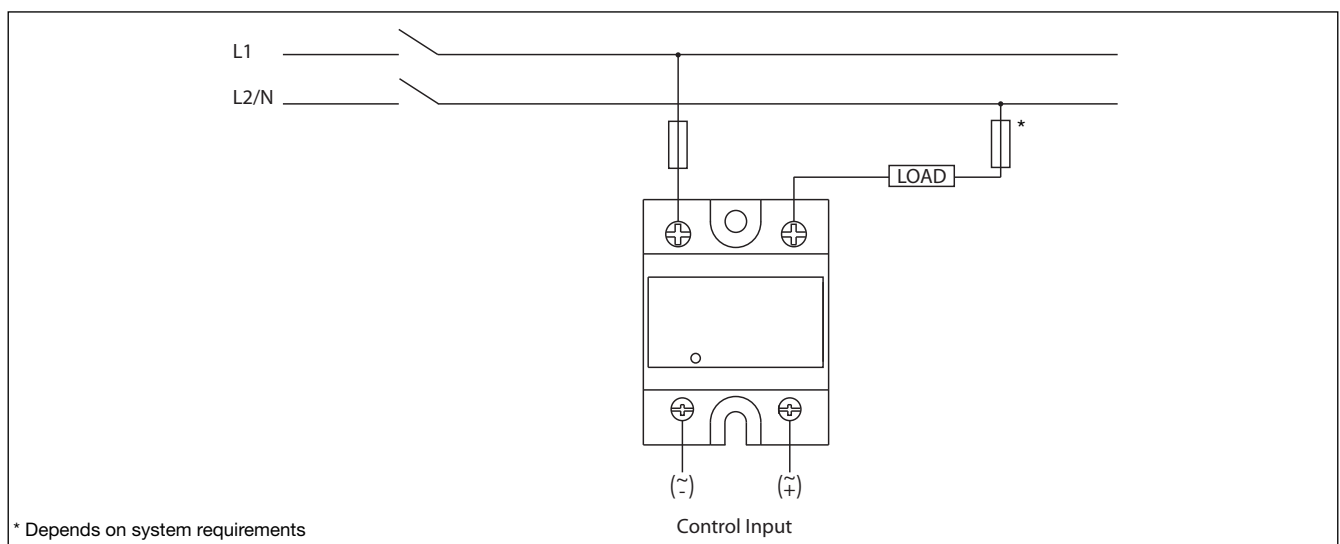


## Dimensions



All dimensions in mm

## Connection Diagram



## Heatsink Dimensions (load current versus ambient temperature)

### RM....25

Load current [A]	Thermal resistance [°C/W]						Power dissipation [W]
	20	30	40	50	60	70	
25.0	2.70	2.34	1.98	1.61	1.25	0.89	28
22.5	3.10	2.69	2.28	1.86	1.45	1.04	24
20.0	3.61	3.13	2.65	2.18	1.70	1.23	21
17.5	4.26	3.70	3.14	2.59	2.03	1.47	18
15.0	5.14	4.47	3.80	3.14	2.47	1.80	15
12.5	6.38	5.56	4.73	3.91	3.09	2.27	12
10.0	8.25	7.19	6.14	5.08	4.02	2.97	9
7.5	11.4	9.94	8.49	7.04	5.59	4.14	7
5.0	17.7	15.4	13.2	11.0	8.74	6.51	4
2.5	-	-	-	-	18.2	13.6	2

$T_A$   
 Ambient temp. [°C]

### RM....50

Load current [A]	Thermal resistance [°C/W]						Power dissipation [W]
	20	30	40	50	60	70	
50.0	1.03	0.86	0.70	0.53	0.37	0.20	61
45.0	1.27	1.09	0.90	0.71	0.52	0.33	53
40.0	1.54	1.32	1.10	0.89	0.67	0.45	46
35.0	1.85	1.59	1.34	1.08	0.82	0.57	39
30.0	2.26	1.95	1.65	1.34	1.03	0.72	33
25.0	2.85	2.47	2.08	1.70	1.32	0.94	26
20.0	3.73	3.24	2.75	2.26	1.77	1.27	20
15.0	5.22	4.54	3.86	3.19	2.51	1.83	15
10.0	8.21	7.16	6.11	5.05	4.00	2.95	10
5.0	17.2	15.0	12.9	10.7	8.51	6.33	5

$T_A$   
 Ambient temp. [°C]

Junction to ambient thermal resistance, $R_{th\ j-a}$	< 20.0	°C/W
Junction to case thermal resistance, $R_{th\ j-c}$	< 0.80	°C/W
Case to heatsink thermal resistance, $R_{th\ c-s^2}$	< 0.20	°C/W
Maximum allowable case temperature	100	°C
Maximum allowable junction temperature	125	°C

Junction to ambient thermal resistance, $R_{th\ j-a}$	< 20.0	°C/W
Junction to case thermal resistance, $R_{th\ j-c}$	< 0.50	°C/W
Case to heatsink thermal resistance, $R_{th\ c-s^2}$	< 0.20	°C/W
Maximum allowable case temperature	100	°C
Maximum allowable junction temperature	125	°C

### RM1.60..50

Load current [A]	Thermal resistance [°C/W]						Power dissipation [W]
	20	30	40	50	60	70	
50.0	0.99	0.81	0.63	0.44	0.26	0.08	55
45.0	1.28	1.07	0.86	0.65	0.44	0.23	48
40.0	1.64	1.40	1.15	0.91	0.67	0.42	41
35.0	2.11	1.82	1.54	1.25	0.96	0.67	35
30.0	2.60	2.25	1.90	1.55	1.20	0.85	29
25.0	3.30	2.86	2.43	1.99	1.55	1.11	23
20.0	4.36	3.79	3.22	2.65	2.08	1.51	18
15.0	6.1	5.4	4.6	3.77	2.97	2.18	13
10.0	9.76	8.52	7.3	6.0	4.8	3.54	8
5.0	--	--	15.47	12.85	10.24	7.6	4

$T_A$   
 Ambient temp. [°C]

### RM....75

Load current [A]	Thermal resistance [°C/W]						Power dissipation [W]
	20	30	40	50	60	70	
75.0	0.91	0.78	0.65	0.52	0.39	0.26	77
67.5	1.10	0.96	0.81	0.66	0.51	0.36	68
60.0	1.34	1.17	1.00	0.83	0.66	0.49	59
52.5	1.60	1.40	1.20	1.00	0.80	0.60	50
45.0	1.93	1.68	1.44	1.20	0.96	0.72	42
37.5	2.38	2.08	1.78	1.49	1.19	0.89	34
30.0	3.06	2.68	2.30	1.91	1.53	1.15	26
22.5	4.21	3.68	3.16	2.63	2.10	1.58	19
15.0	6.51	5.70	4.88	4.07	3.26	2.44	12
7.5	13.5	11.77	10.09	8.41	6.73	5.04	6

$T_A$   
 Ambient temp. [°C]

Junction to ambient thermal resistance, $R_{th\ j-a}$	< 20.0	°C/W
Junction to baseplate case thermal resistance, $R_{th\ j-c}$	< 0.72	°C/W
Case to heatsink thermal resistance, $R_{th\ c-s^2}$	< 0.20	°C/W
Maximum allowable heatsink temperature	100	°C
Maximum allowable junction temperature	125	°C

Junction to ambient thermal resistance, $R_{th\ j-a}$	< 20.0	°C/W
Junction to case thermal resistance, $R_{th\ j-c}$	< 0.35	°C/W
Case to heatsink thermal resistance, $R_{th\ c-s^2}$	< 0.10	°C/W
Maximum allowable heatsink temperature	100	°C
Maximum allowable junction temperature	125	°C

## Heatsink Dimensions (load current versus ambient temperature) cont.

### RM...100

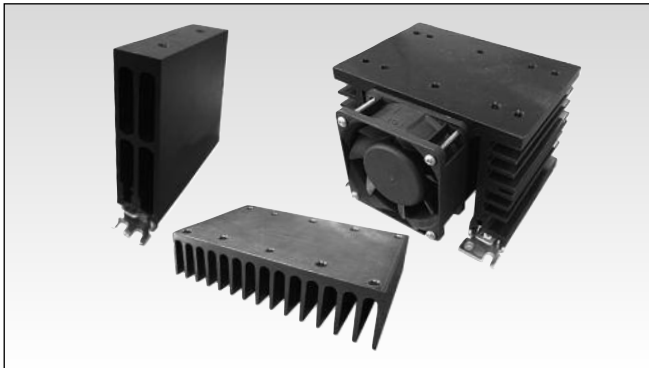
Load current [A]	Thermal resistance [°C/W]						Power dissipation [W]
	20	30	40	50	60	70	
100.0	0.54	0.45	0.36	0.27	0.18	0.09	111
90.0	0.68	0.58	0.47	0.37	0.27	0.17	97
80.0	0.86	0.74	0.62	0.50	0.38	0.26	84
70.0	1.08	0.94	0.80	0.66	0.52	0.38	71
60.0	1.37	1.20	1.03	0.85	0.68	0.51	59
50.0	1.70	1.49	1.28	1.06	0.85	0.64	47
40.0	2.21	1.93	1.66	1.38	1.10	0.83	36
30.0	3.06	2.68	2.30	1.91	1.53	1.15	26
20.0	4.78	4.18	3.59	2.99	2.39	1.79	17
10.0	9.98	8.73	7.49	6.24	4.99	3.74	8

Ambient temp. [°C]

Junction to ambient thermal resistance, $R_{th\ j-a}$	< 20.0	°C/W
Junction to case thermal resistance, $R_{th\ j-c}$	< 0.30	°C/W
Case to heatsink thermal resistance, $R_{th\ c-s}^2$	< 0.10	°C/W
Maximum allowable heatsink temperature	100	°C
Maximum allowable junction temperature	125	°C

2. Thermal resistance case to heatsink valves are applicable upon application of a fine layer of silicon based thermal paste HTS02S from Electrolube between SSR and heatsink.

## Heatsink Selection



### Ordering Key

**RHS..**

- Heatsinks and fans
- 5.40°C/W to 0.12°C/W thermal resistance
- DIN, panel or thru wall mounting
- Single or multiple SSR mounting

#### Heatsink Range Overview:

[http://www.productselection.net/PDF/UK/ssr\\_accessories.pdf](http://www.productselection.net/PDF/UK/ssr_accessories.pdf)

#### Heatsink Selector Tool:

<http://www.productselection.net/heatsink/heatsinkselector.php?LANG=UK>

## Short Circuit Protection

### Protection Co-ordination, Type 1 vs. Type 2:

Type 1 protection implies that after a short circuit, the device under test will no longer be in a functioning state. In type 2 co-ordination the device under test will still be functional after the short circuit. In both cases, however, the short circuit has to be interrupted. The fuse between enclosure and supply shall not open. The door or cover of the enclosure shall not be blown open. There shall be no damage to conductors of terminals and the conductors shall not separate from terminals. There shall be no breakage or cracking of insulating bases to the extent that the integrity of the mounting of live parts is impaired. Discharge of parts or any risk of fire shall not occur.

The product variants listed in the table hereunder are suitable for use on a circuit capable of delivering not more than 65,000A rms Symmetrical Amperes, 600Volts maximum when protected by fuses. Tests at 65,000A were performed with Class J, fast acting: please refer to the table below for maximum allowed ampere rating of the fuse. Use fuses only.

### Co-ordination type 1 (UL508)

Part No.	Prospective short circuit current [kArms]	Max. fuse size [A]	Class/ Model	Voltage [VAC]
RM1..25..	65	30	J or CC	600
RM1..50..	65	30 20	J HSJ20 (Mersen*)	600 600
RM1..75..	65	80 60	J HSJ60 (Mersen*)	600 600
RM1..100..	65	80 60	J HSJ60 (Mersen*)	600 600

### Co-ordination type 2 (IEC/EN60947-4-3)

Part No.	Prospective short circuit current [kArms]	Max. fuse size [A]	Brand	Model	Size
RM1.xx.25.. (xx = 23, 40 or 48)	10	25	Mersen*	6.9 gRB 10-25	10.3 x 38
RM1.60.25..	10	20	Mersen*	6.9 gRB 10-20	10.3 x 38
RM1.xx.50.. (xx = 23 or 40)	10	50	Mersen*	6.9zz CP gRC 14x51/50	14 x 51
RM1.xx.50.. (xx = 48 or 60)	10	50	Mersen*	6.9zz CP gRC 22x58/50	22 x 58
RM1.xx.75.. (xx = 23, 40, 48 or 60)	10	63	Mersen*	6.9zz CP gRC 22x58/63	22 x 58
RM1.xx.100.. (xx = 23, 40, 48 or 60)	10	100	Mersen*	6.9zz CP gRC 22x58/100	22 x 58

zz = 00, without fuse trip indication

zz = 21, with fuse trip indication

\* Formerly Ferraz Shawmut

## Type 2 Protection with Miniature Circuit Breakers (M.C.B.s)

Solid State Relay type	ABB Model no. for Z - type M. C. B. (rated current)	ABB Model no. for B - type M. C. B. (rated current)	Wire cross sectional area [mm <sup>2</sup> ]	Minimum length of Cu wire conductor [m]	
<b>RM1..25..</b>	<b>1-pole</b>				
	S201-Z4 (4A)	S201-B2 (2A)	1.0	21.0	
	S201-Z6 UC (6A)	S201-B2 (2A)	1.0	21.0	
			1.5	31.5	
<b>RM1..50..</b>	<b>1-pole</b>				
	S201-Z10 (10A)	S201-B4 (4A)	1.0	7.6	
			1.5	11.4	
			2.5	19.0	
	S201-Z16 (16A)	S201-B6 (6A)	1.0	5.2	
			1.5	7.8	
			2.5	13.0	
			4.0	20.8	
	S201-Z20 (20A)	S201-B10 (10A)	1.5	12.6	
			2.5	21.0	
	S201-Z25 (25A)	S201-B13 (13A)	2.5	25.0	
			4.0	40.0	
	<b>RM1..75..</b>	<b>2-pole</b>			
		S202-Z25 (25A)	S202-B13 (13A)	2.5	19.0
4.0				30.4	
<b>1-pole</b>					
S201-Z20 (20A)		S201-B10 (10A)	1.5	4.2	
			2.5	7.0	
			4.0	11.2	
S201-Z32 (32A)		S201-B16 (16A)	2.5	13.0	
			4.0	20.8	
			6.0	31.2	
<b>2-pole</b>					
S202-Z20 (20A)	S202-B10 (10A)	1.5	1.8		
		2.5	3.0		
		4.0	4.8		
S202-Z32 (32A)	S202-B16 (16A)	2.5	5.0		
		4.0	8.0		
		6.0	12.0		
		10.0	20.0		
S202-Z50 (50A)	S202-B25 (25A)	4.0	14.8		
		6.0	22.2		
		10.0	37.0		
<b>RM1..100..</b>	<b>1-pole</b>				
	S201-Z50 (50A)	S201-B25 (25A)	4.0	4.8	
			6.0	7.2	
			10.0	12.0	
			16.0	19.2	
	S201-Z63 (63A)	S201-B32 (32A)	6.0	7.2	
			10.0	12.0	
			16.0	19.2	

\* Between MCB and Load (including return path which goes back to the mains).

Note: A prospective current of 6kA and a 230/400V power supply system is assumed for the above suggested specifications. For cables with different cross section than those mentioned above please consult Carlo Gavazzi's Technical Support Group.



## FASTON terminals



- Faston tabs
- Tab dimensions according to DIN 46342 part 1
- Pure tin-plated brass

### Ordering Key

#### Screw mounted Faston terminals

**RM1A48D25 | F 4\***

RS, RM Solid State Relay  
Faston terminals  
Tab orientation

Input Tab width: 4.8mm  
Output Tab width: 6.3mm

#### Faston terminals in packs of 20

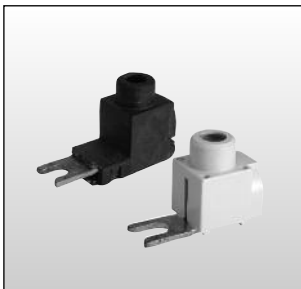
**RM48 \*\* | F4\***

RS, RM Solid State Relay  
Tab orientation

\* 0: Flat (0°)  
4: Angled (45°)

\*\* 48: 4.8mm faston for input  
63: 6.3mm faston for output

## Fork Terminals



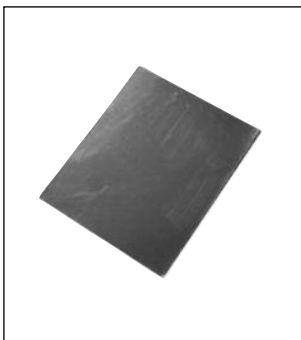
- Terminal adaptors for 35mm<sup>2</sup> cable
- Type RM635FK
- Pack size: 20 pieces

### Ordering Key

**RM635FK | P**

RM terminal adaptor  
Touch protected (optional)

## Other Accessories



- Graphite thermal pad with adhesive on one side
- Type KK071CUT
- Dimensions: 35 x 43 x 0.25mm
- Packing quantity: 50pcs.



- Touch safety cover
- Type RMP20
- IP20 protection degree
- Pack size: 20 pieces

All accessories can be ordered pre-assembled with Solid State Relays.  
Other accessories include DIN rail adaptors, fuses, varistors and spacers.

For further information refer to Accessories datasheets at:  
[www.productselection.net/PDF/UK/SSR\\_Accessories.pdf](http://www.productselection.net/PDF/UK/SSR_Accessories.pdf)