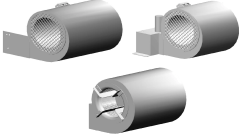


Radial Fans

Types	Ident No.		f Hz	V ₁ V	Max volume m ³ /h	P W	T _{amb} max °C	Weight kg	Noise dB
SKF 16 A-230-01	VE001030 ¹⁾		50 / 60	230	615 / 575	135 / 154	50 / 40	3,6	55 / 57
SKF 16 A-230-11	30756640		50 / 60	230	615 / 575	135 / 154	50 / 40	3,6	55 / 57
SKF 16 B-230-01	30119362		50 / 60	230	610 / 565	170 / 197	40	3,6	58 / 57
SKF 16 O-230-01	30119366		50	230	1000	300	40	4,4	

¹⁾ without air duct

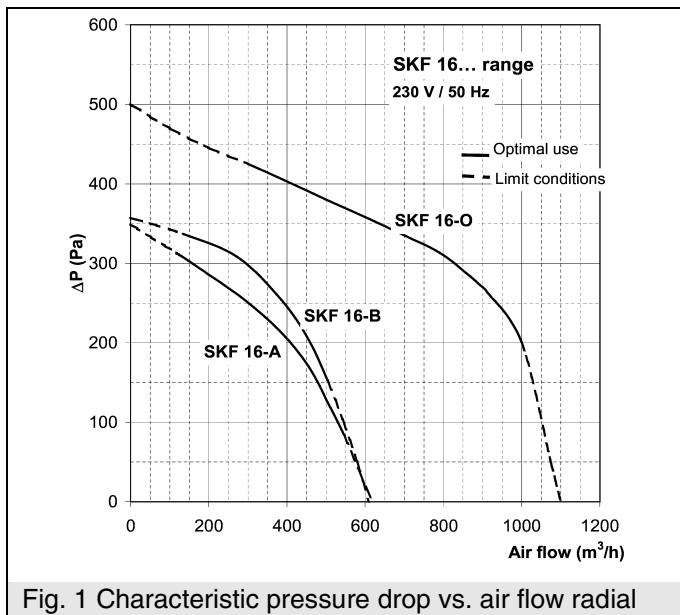
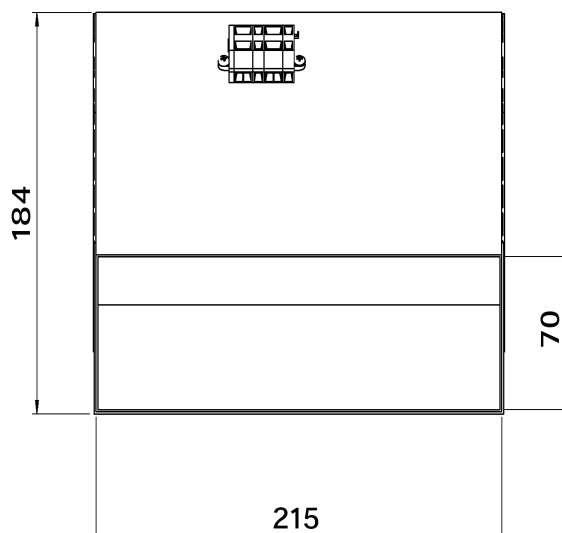
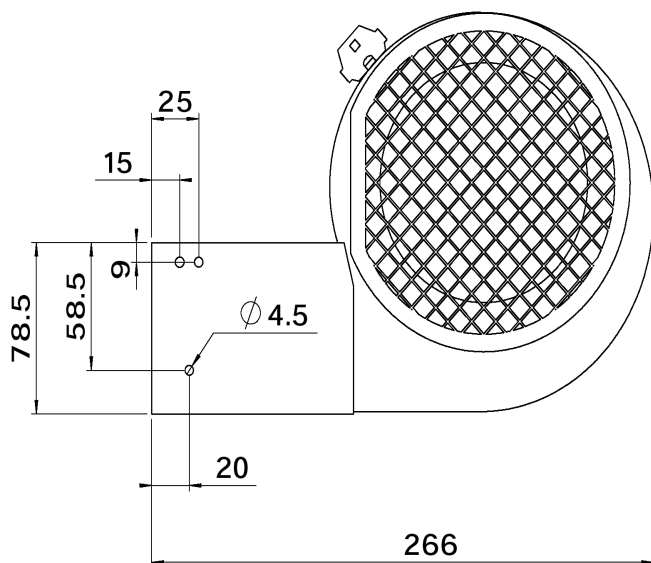


Fig. 1 Characteristic pressure drop vs. air flow radial

Features

- Low noise level
- Long-life, maintenance free ball bearings
- Blowing fan
- Integrated capacitor (when needed)

Dimensions in mm



SKF 16 A

Radial Fans

