



# 60x60x25 mm

San Ace 60WF 9WF<sub>type</sub>

DC Oil Proof Fan 60 mm sq.

## General Specifications

- Material ..... Frame: Plastic (Flammability: UL 94V-0), Impeller: Plastic (Flammability: UL 94V-0)
- Expected life ..... See the table below. (L10 life: 90% survival rate for continuous operation in free air at 60°C, rated voltage)  
Expected life at 40°C is for reference only.
- Motor protection function ..... Locked rotor burnout protection, Reverse polarity protection  
For details, please refer to p. 599.
- Dielectric strength ..... 50/60 Hz, 500 VAC, for 1 minute (between lead wire conductors and frame)
- Insulation resistance ..... 10 MΩ or more with a 500 VDC megger (between lead wire conductors and frame)
- Sound pressure level (SPL) ..... At 1 m away from the air inlet
- Storage temperature ..... -30 to +70°C (Non-condensing)
- Lead wire ..... ⊕Red ⊖Black Sensor Yellow
- Mass ..... 110 g

This fan can be used in environments with oil mist.\*

\* Environment where cutting oil creates oil mist. Conduct a product evaluation with the type of oil to be used.

## Specifications

The models listed below **have ribs and pulse sensors.**

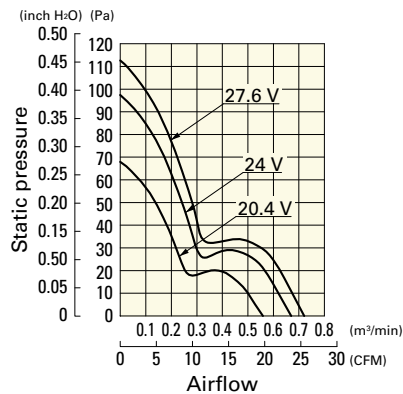
Model no.	Rated voltage [V]	Operating voltage range [V]	Rated current [A]	Rated input [W]	Rated speed [min <sup>-1</sup> ]	Max. airflow		Max. static pressure		SPL [dB (A)]	Operating temperature [°C]	Expected life [h]
						[m <sup>3</sup> /min]	[CFM]	[Pa]	[inchH <sub>2</sub> O]			
<b>9WF0624H401</b>	24	20.4 to 27.6	0.15	3.6	6500	0.67	23.6	97	0.38	41	-20 to +70	40000/60°C (70000/40°C)

Note: Sensor and control options are available for selection. Refer to the table on p. 637.

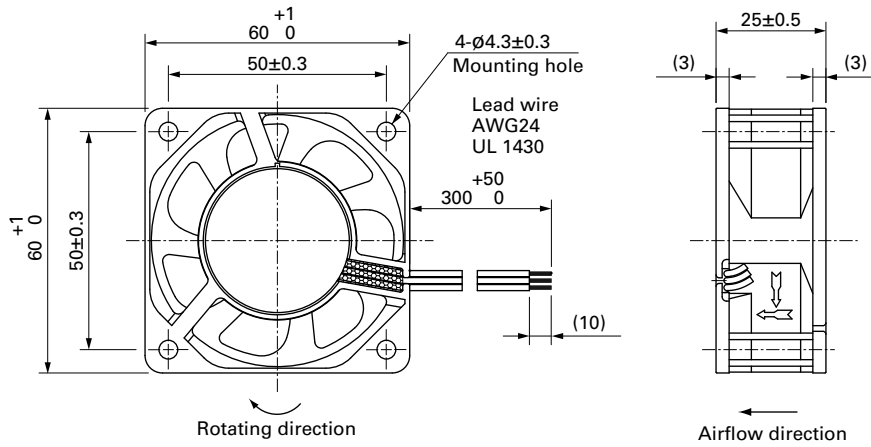
## Airflow - Static Pressure Characteristics

**9WF0624H401** With pulse sensor

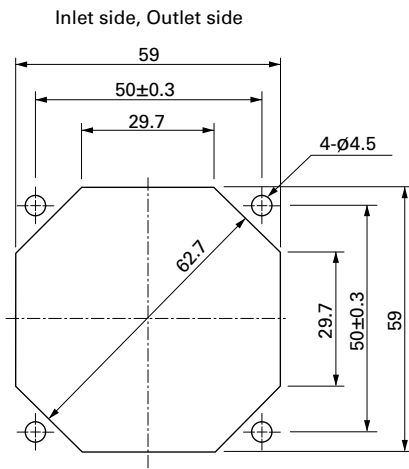
Operating voltage range



## Dimensions (unit: mm)



## Reference Dimensions of Mounting Holes and Vent Opening (unit: mm)



## Options

Finger guards

page: p. 584

Model no.: 109-139E, 109-139H