

COOLING FAN

San Ace



2017

SANYO DENKI

San Ace COOLING SYSTEMS

Details on new and recommended products

NEW

High Static Pressure Fan DC

New high static pressure fans have been added to our product lineup. These fans feature improved static pressure compared with our current models. They deliver perfect solutions for efficiently cooling servers, ICT devices and power supplies.



60×60×38mm
⇒pp. 77 to 78

80×80×38mm
⇒pp. 123 to 124

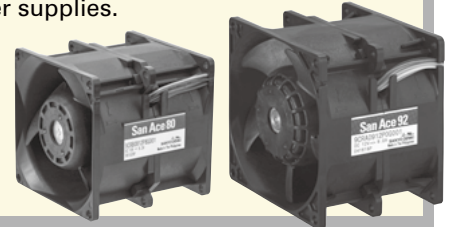
NEW

Counter Rotating Fan DC

Counter rotating fan lineup has been enriched with the addition of this new model that features higher airflow and higher static pressure than our current models. It provides effective cooling especially for high density equipment such as servers, data storage systems, ICT devices, and power supplies.

80×80×80mm
⇒pp. 229 to 230

92×92×76mm
⇒pp. 235 to 236



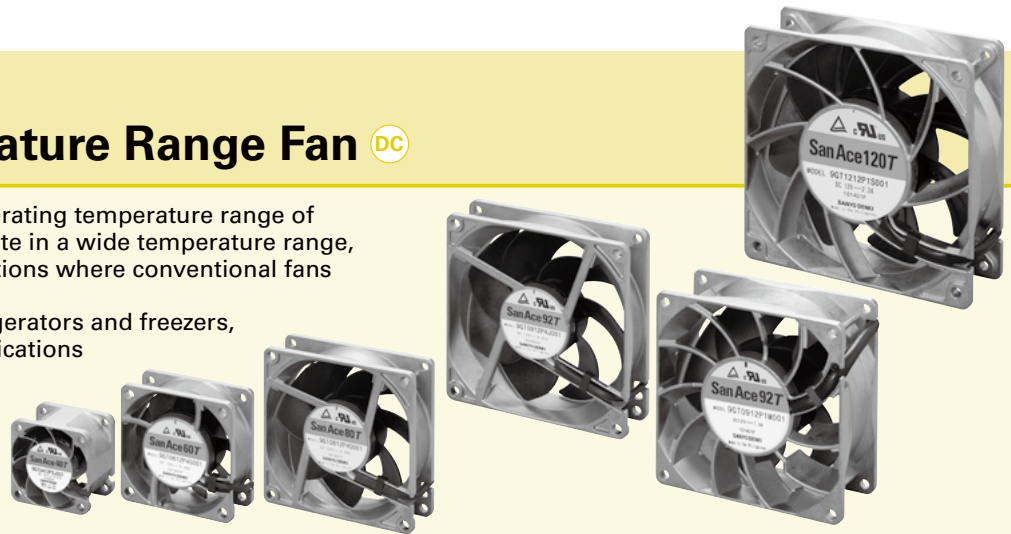
9GT type

Wide Temperature Range Fan DC

These fans achieve an operating temperature range of -40°C to +85°C. They operate in a wide temperature range, serving in various applications where conventional fans could not be used.

They are suitable for refrigerators and freezers, lighting devices, communications devices, PV inverters, and rapid EV charging stations.

40mm sq. to 120mm sq.
⇒pp. 359 to 370



9AD type

ACDC Fan AC

This fan operates by internally converting AC power into DC power. It provides the superior performance of a DC fan with the flexibility of AC input.

92×92×38mm
⇒pp. 413 to 416

120×120×38mm
⇒pp. 417 to 420



9RF type

Reversible Flow Fan DC

Multiple fans are usually used to blow air in both directions to ventilate houses, and to cool drink vending machines, and food display cases. With reversible flow fans, the wind direction can be switched so fewer fans are required.

φ136×28mm
⇒pp. 243 to 244





9T type

Centrifugal Fan DC

NEW

Product lineup has been expanded for centrifugal fans, that blow air in a centrifugal course. These fans deliver high airflow and high static pressure with low noise and low power consumption. It is suitable for use in ICT equipment, large-scale inverters, refrigeration units, dust collectors, and air conditioners.



$\phi 175 \times 69 \text{mm}$
⇒pp. 379 to 380



$\phi 221 \times 71 \text{mm}$
⇒pp. 383 to 384



$\phi 225 \times 99 \text{mm}$
⇒pp. 385 to 386

NEW

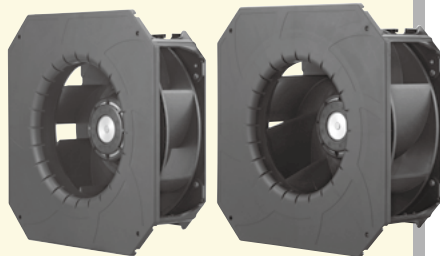
9B1T type

Bracket-mounted Centrifugal Fan DC

Centrifugal fan comes equipped with an air inlet, making the installation to your device easy.

$270 \times 270 \times 99 \text{mm}$
⇒pp. 387 to 388

$270 \times 270 \times 119 \text{mm}$
⇒pp. 389 to 390



NEW

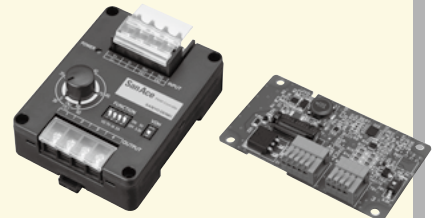
PWM Controller

This device provides external control of the rotational speed of fans that have PWM control function. By using this product, PWM control function fans can be fully utilized without the need for preparing new circuits, contributing to reducing the system power consumption and the fan noise.

⇒pp. 457 to 462

BOX type

PCB type

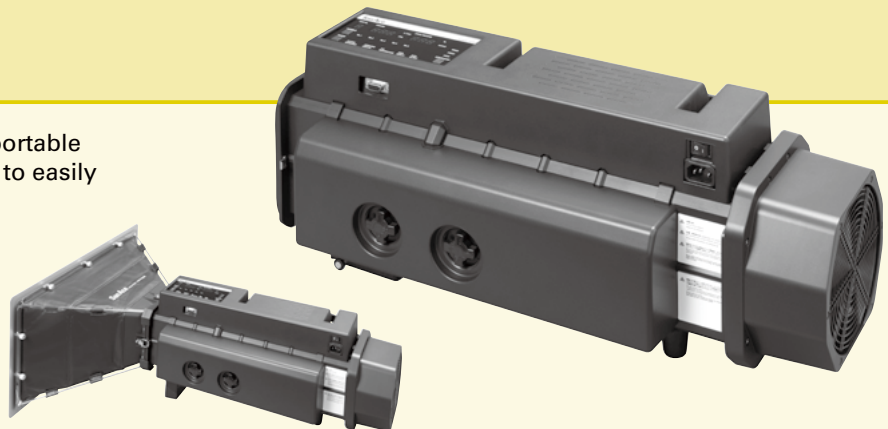


NEW

Airflow Tester

This product is the industry's first portable measuring device that enables you to easily measure the system impedance and operating airflow of devices.

⇒pp. 463 to 468



With connection duct mounted

DC

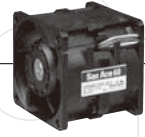
DC Fan

Cooling fan operating at 5V, 12V, 24V, and 48VDC. Wide lineup including low power consumption fans, silent fans, and high airflow and high static pressure fans 36mm sq. to φ200mm.



Counter Rotating Fan

Airflow and static pressure become higher than two conventional products of the same size connected in a series 38mm sq. to φ172mm.



Reversible Flow Fan

The wind directions can be switched with these fans. Equivalent cooling performance can be obtained in both directions. φ136mm



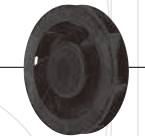
Splash Proof Fan

Cooling fan of IP54, IP55 and IP68 waterproof capability 40mm sq. to φ172mm.



Splash Proof Centrifugal Fan

IP54 splash proof centrifugal fan φ100mm to φ175mm.



Oil Proof Fan

Cooling fan capable of operating in an oil-mist environment 40mm sq. to 120mm sq.



Long Life Fan

Cooling fan with Max. 200,000 hours of expected life 40mm sq. to φ172mm.



Wide Temperature Range Fan

These fans can be used in a wide temperature range of -40°C to +85°C. 40mm sq. to 120mm sq.



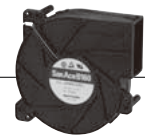
Centrifugal Fan

Cooling fan blows air in a centrifugal course. It features high static pressure. φ100mm to 270mm sq.



Blower

Cooling fan specialized for high static pressure 52mm to 160mm



AC

ACDC Fan

This fan works while internally converting AC power into DC power, providing the superior performance of a DC fan with the flexibility of AC input. 92mm sq. to 120mm sq.



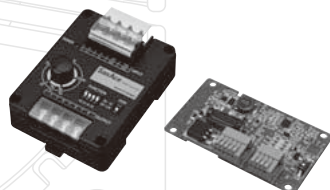
AC Fan

The cooling fan operates at 100V to 230V AC. 60mm sq. to φ172mm



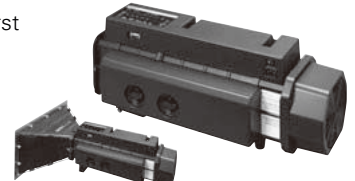
PWM Controller

This device provides external control of the rotational speed of fans that have PWM control function.



Airflow Tester

This product is the industry's first portable measuring device that enables you to easily measure the system impedance and operating airflow of devices.



Domain Diagram 5 to 8

DC

DC Fan 9

36mm sq. 11 to 12
 38mm sq. 13 to 16
 40mm sq. 17 to 46
 52mm sq. 47 to 52
 60mm sq. 53 to 88
 70mm sq. 89 to 90
 80mm sq. 91 to 136
 92mm sq. 137 to 156
 120mm sq. 157 to 178
 127mm sq. 179 to 182
 140mm sq. 183 to 188
 150mm sq. 189 to 190
 φ 172mm 191 to 202
 φ 200mm 203 to 206

Counter Rotating Fan 207

38mm sq. 209 to 210
 40mm sq. 211 to 220
 60mm sq. 221 to 228
 80mm sq. 229 to 234
 92mm sq. 235 to 236
 120mm sq. 237 to 238
 φ 172mm 239 to 240

Reversible Flow Fan 241

φ 136mm 243 to 244

Splash Proof Fan 245

40mm sq. 247 to 250
 60mm sq. 251 to 256
 80mm sq. 257 to 266
 92mm sq. 267 to 276
 120mm sq. 277 to 284
 140mm sq. 285 to 288
 φ 172mm 289 to 292

Splash Proof Centrifugal Fan 293

φ 100mm 295 to 296
 φ 133mm 297 to 298
 φ 150mm 299 to 300
 φ 175mm 301 to 302

Oil Proof Fan 303

40mm sq. 305 to 306
 60mm sq. 307 to 309
 80mm sq. 310
 92mm sq. 311 to 314
 120mm sq. 315 to 316

Long Life Fan 317

40mm sq. 319 to 320
 60mm sq. 321 to 328
 80mm sq. 329 to 334
 92mm sq. 335 to 340
 120mm sq. 341 to 348
 140mm sq. 349 to 352
 φ 172mm 353 to 356

Wide Temperature Range Fan 357

40mm sq. 359 to 360
 60mm sq. 361 to 362
 80mm sq. 363 to 364

DC

92mm sq. 365 to 368
 120mm sq. 369 to 370

Centrifugal Fan 371

φ 100mm 373 to 374
 φ 133mm 375 to 376
 φ 150mm 377 to 378
 φ 175mm 379 to 382
 φ 221mm 383 to 384
 φ 225mm 385 to 386
 270mm sq. 387 to 390

Blower 391

52mm 393 to 394
 76mm 395 to 398
 97mm 399 to 406
 120mm 407 to 408
 127mm 409
 160mm 410

AC

ACDC Fan 411

92mm sq. 413 to 416
 120mm sq. 417 to 420

AC Fan 421

60mm sq. 423 to 426
 80mm sq. 427 to 434
 92mm sq. 435 to 438
 120mm sq. 439 to 446
 160mm sq. 447 to 448
 φ 172mm 449 to 452

Sale Notice of Cooling Fan Set Models ... 453 to 456

PWM Controller 457 to 462

Airflow Tester 463 to 468

Option 469 to 479

Technical Material

Overview and Characteristics of Fan 480
 Guideline in Selecting a Fan 480
 Characteristics Calculation Method
 and Description 481 to 482
 Splash Proof Fan 483
 Cautions for Use of a Cooling Fan in the
 Vicinity of a Power Switching Circuit 484

Specifications for Sensor/PWM Control Function

Specifications for DC Fan Sensors 485 to 486
 Specifications for AC Fan Sensor 486
 Fans with PWM Control Function 487 to 488

Please Read:

Operating Precautions 489
 Fan Mounting Using Self-tapping Screw 490
 Safety Precautions 491 to 492
 Safety Standards 493
 RoHS Directive 494

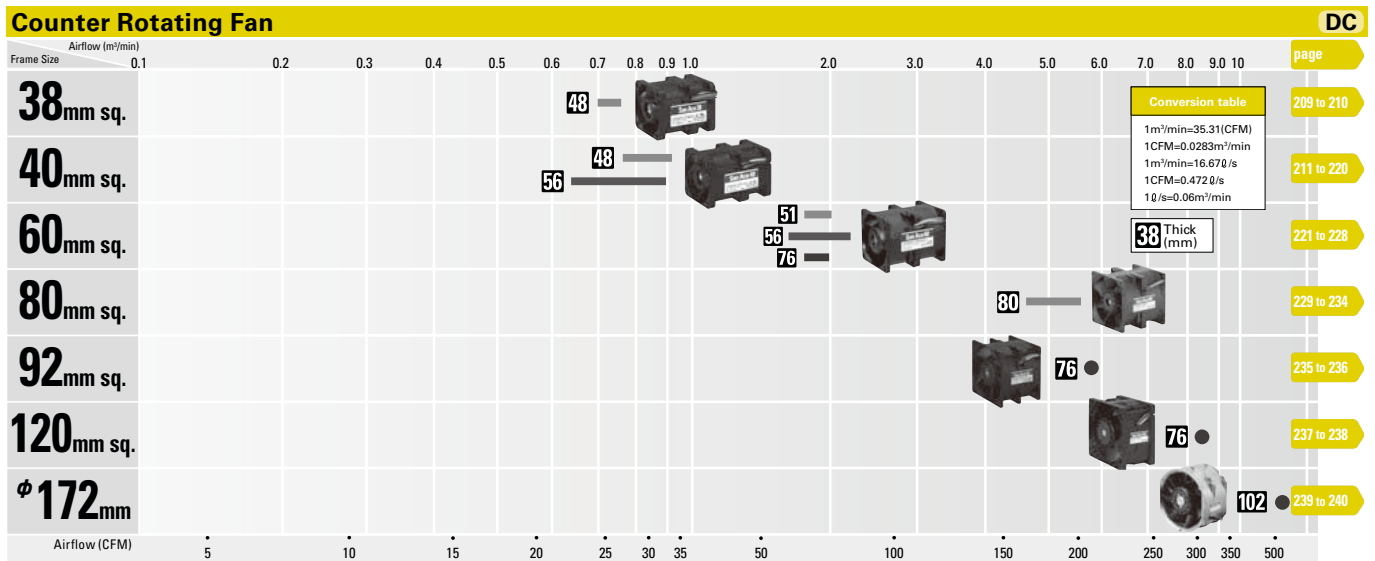
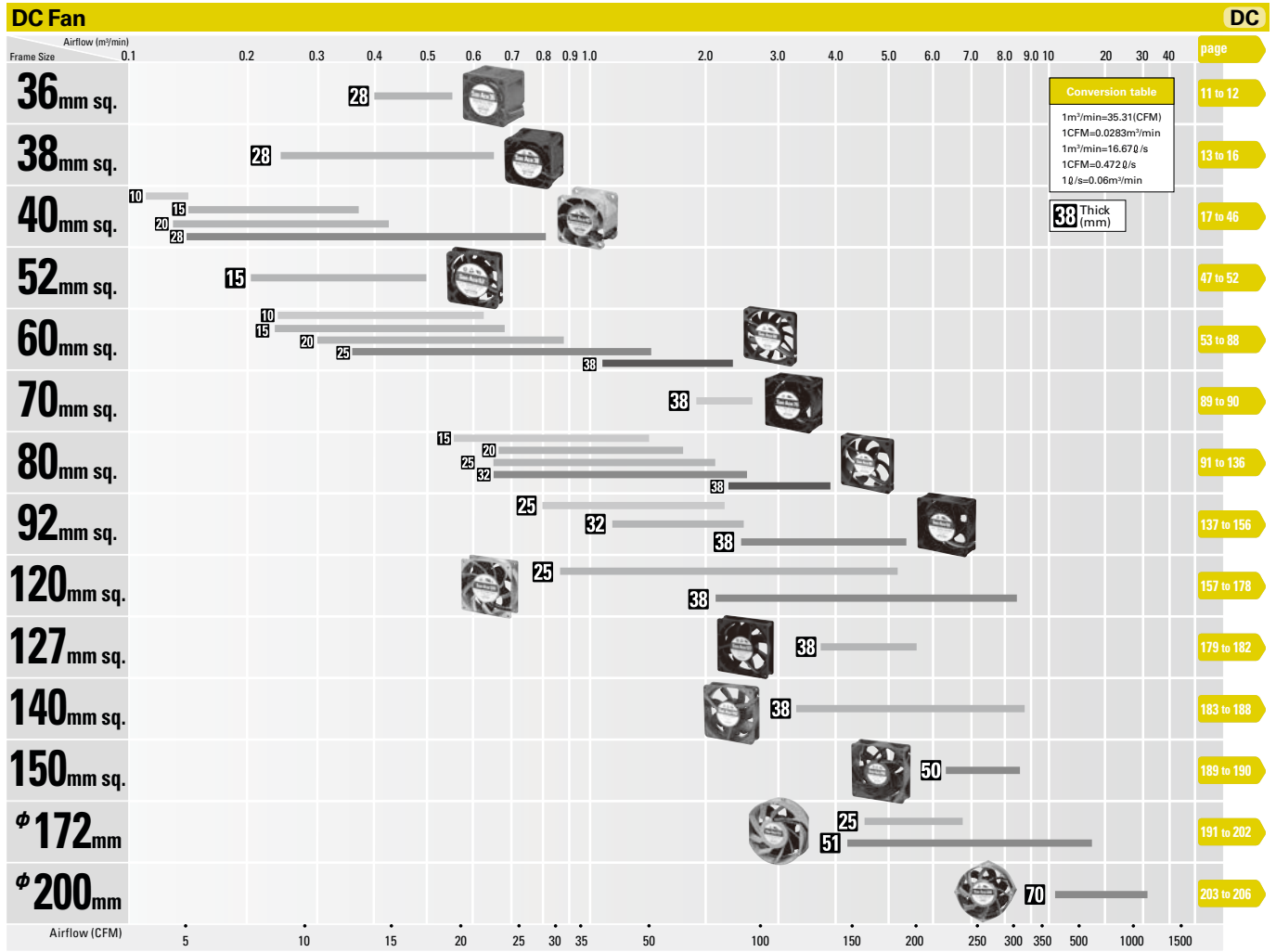
Index by Model No./Safety Standards List

DC Fan 495 to 513
 ACDC Fan 514
 AC Fan 514 to 515
 Option 516 to 517

Deleted Models in this Catalog 518 to 520

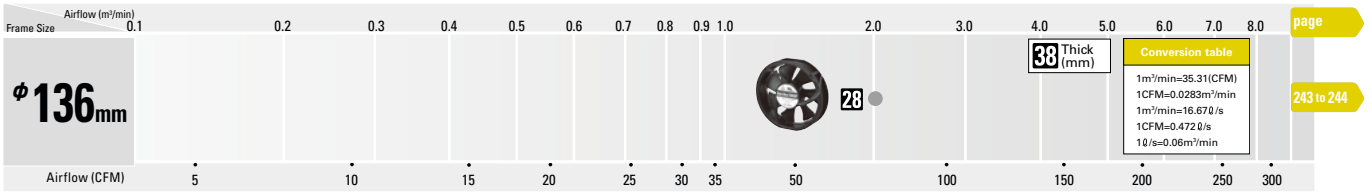
Distributors 521 to 524

Domain Diagram



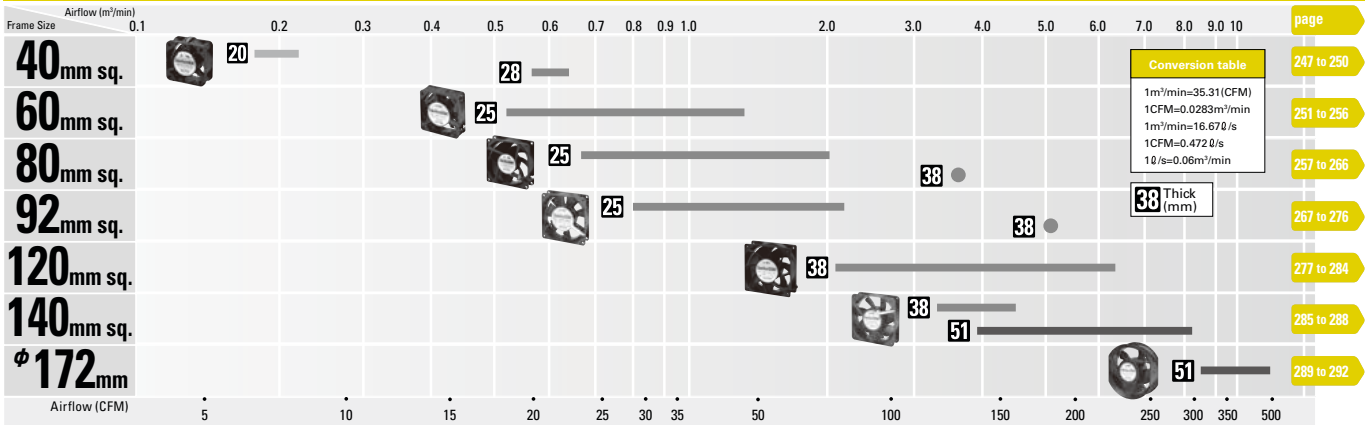
Reversible Flow Fan

DC



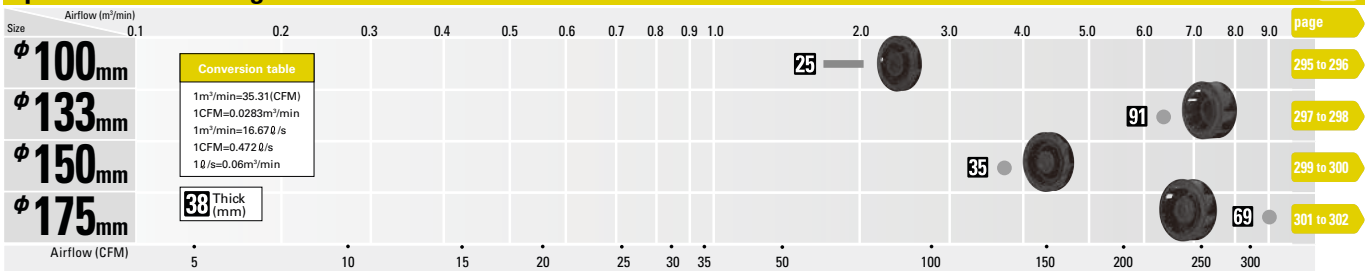
Splash Proof Fan

DC



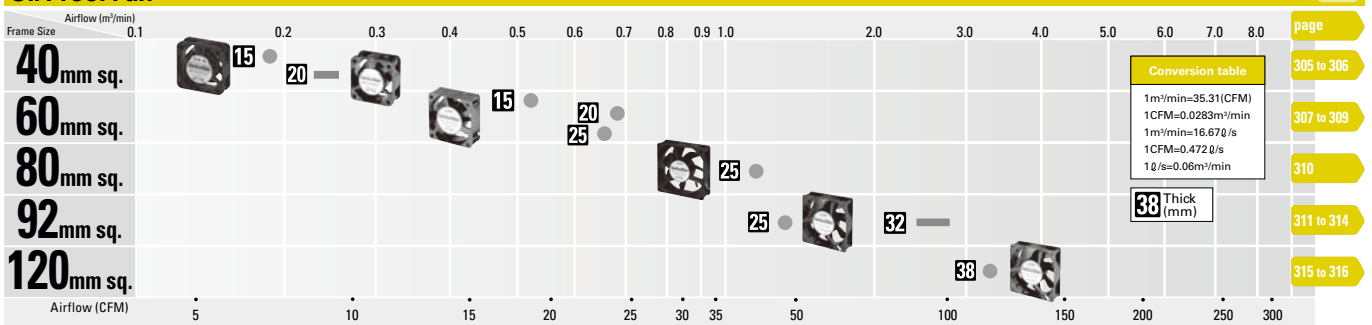
Splash Proof Centrifugal Fan

DC

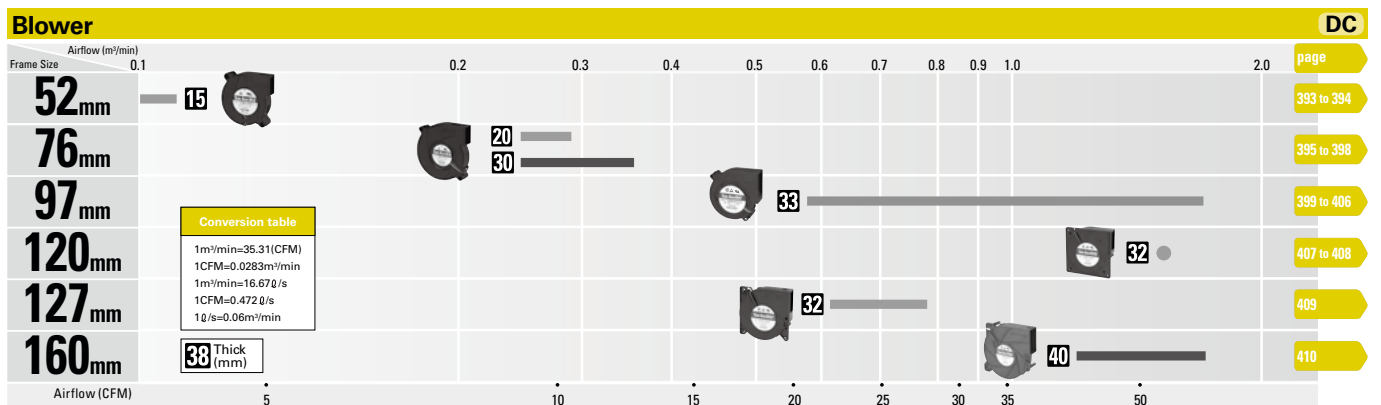
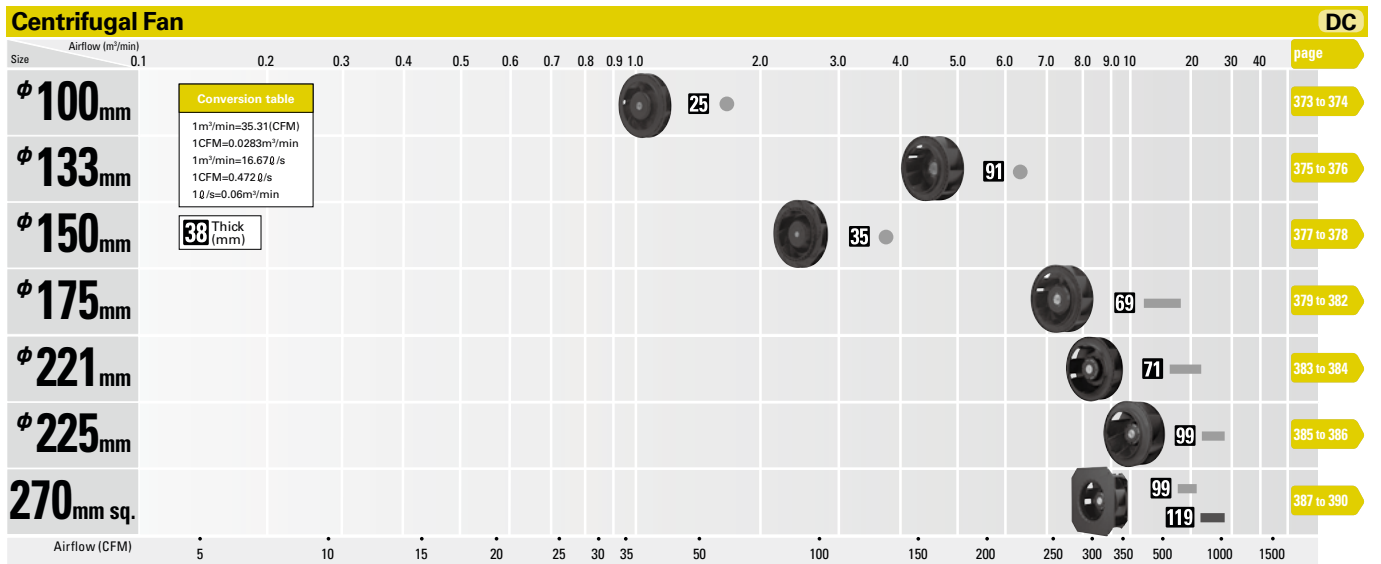
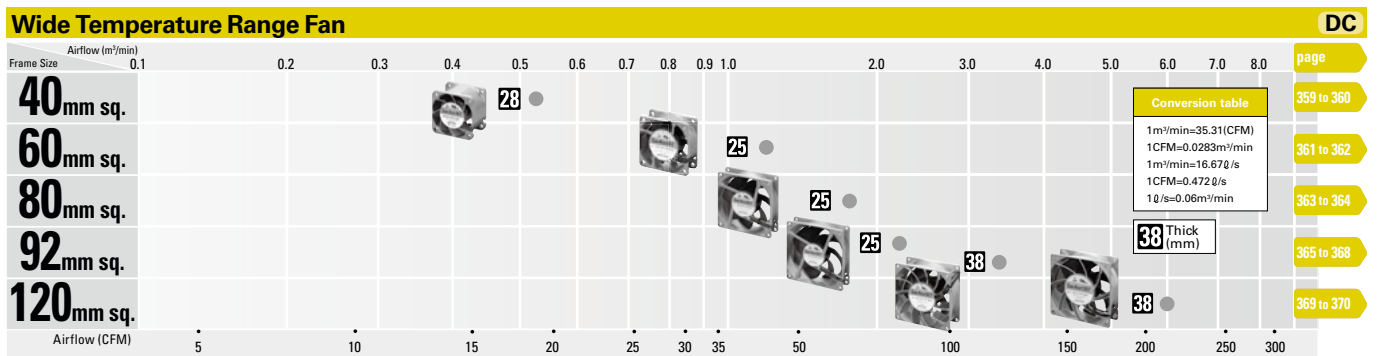
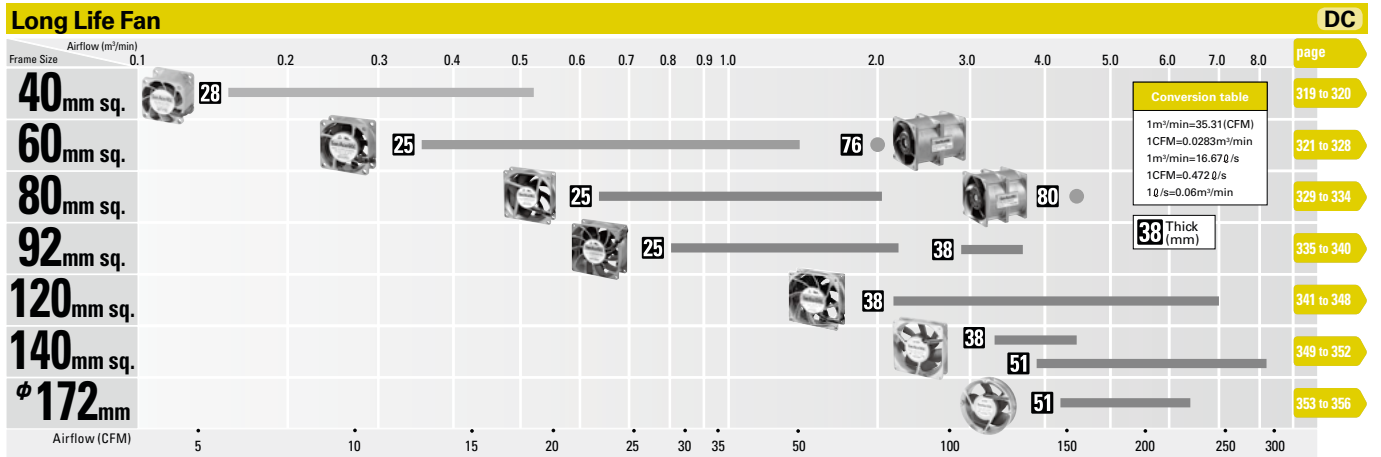


Oil Proof Fan

DC

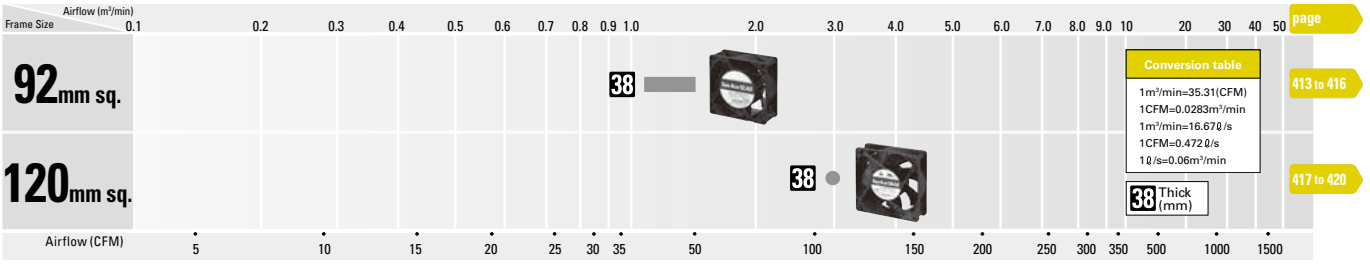


Domain Diagram



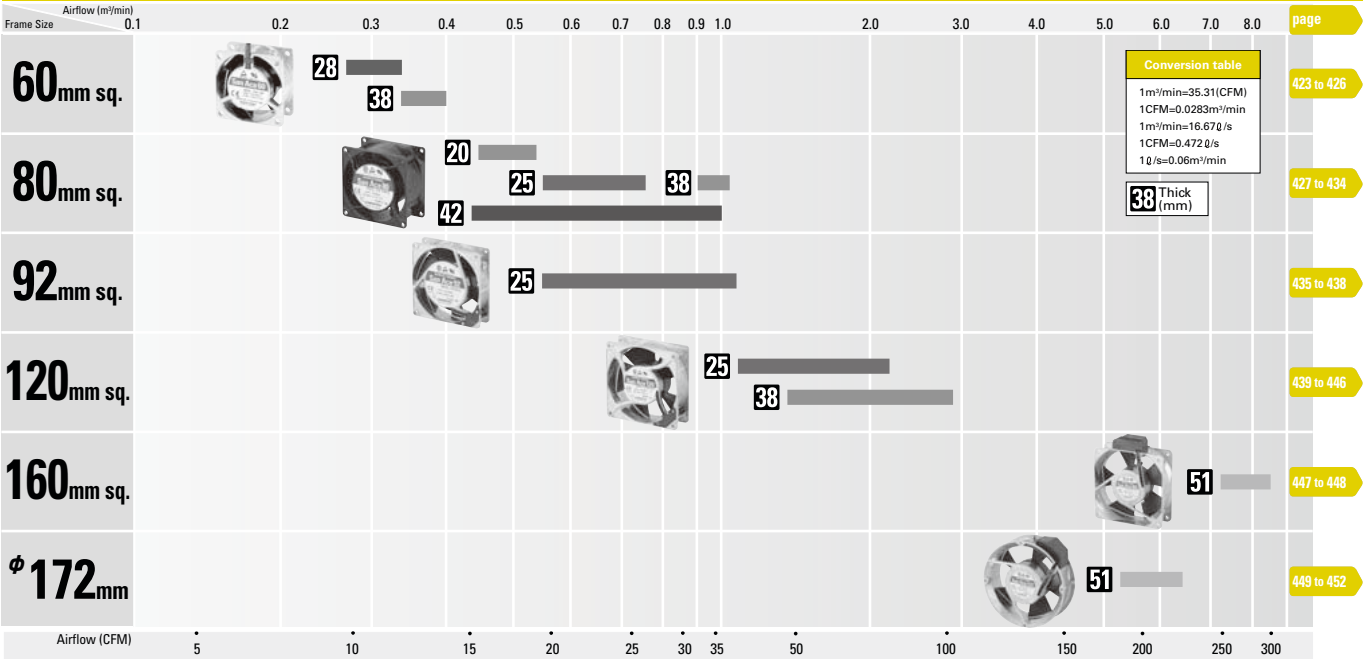
ACDC Fan

AC



AC Fan

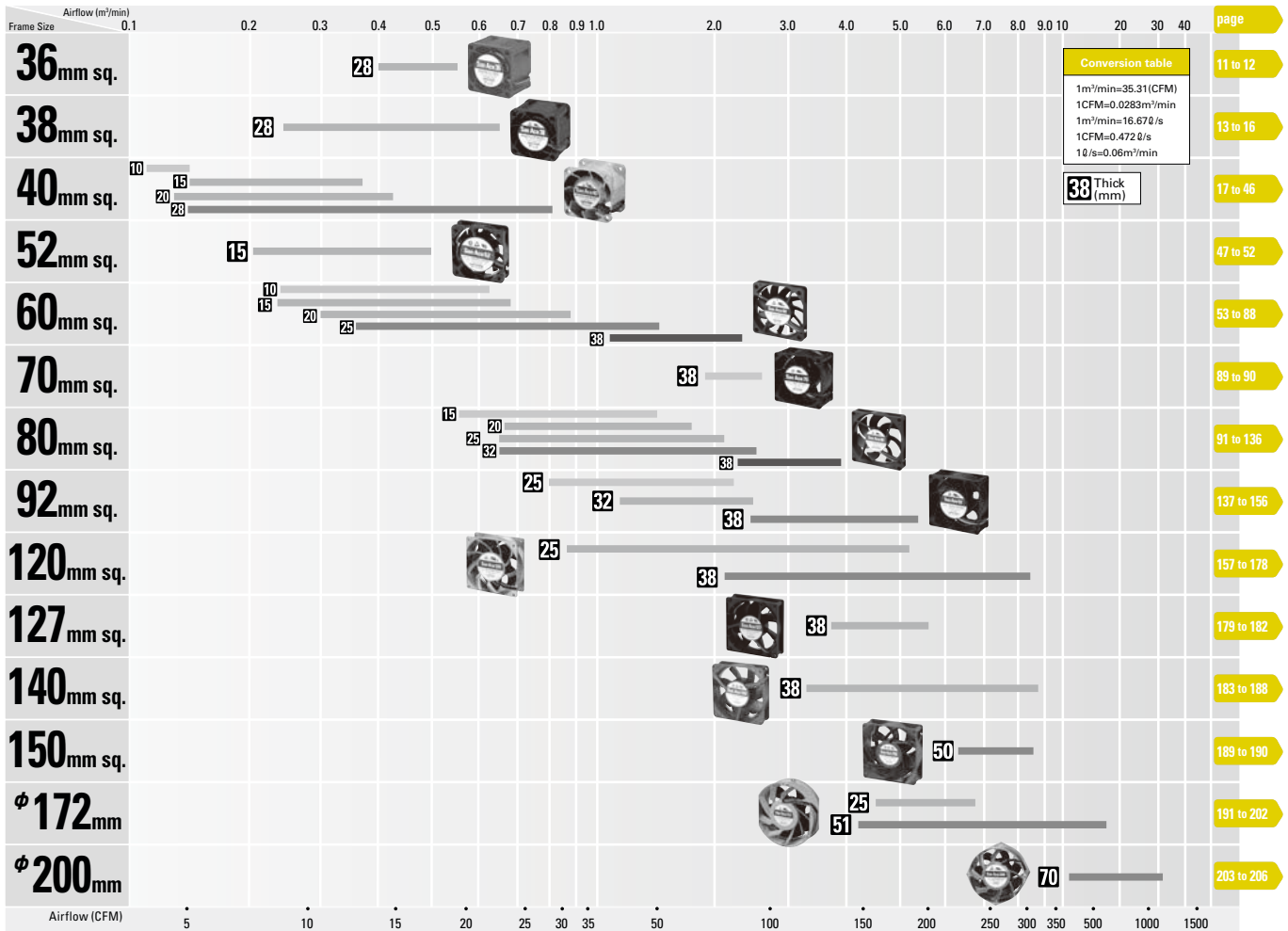
AC



DC Fan

Wide lineup including low power consumption fans (9GA type), silent fans (9S type), and high airflow and high static pressure fans.

Domain Diagram



Model Numbering System

Not every combination of the following codes or characters is available. Contact us for an available combination.

9GV	12	12	J	1	01	1
Type name / frame material 109P / Plastics 109R / Plastics 9GA / Plastics 9S / Plastics 9GV / Plastics Aluminum 9GE / Aluminum 9G / Plastics 9A / Plastics 9SG / Aluminum 109E / Aluminum 9EC / Aluminum 9GX / Plastics 9GAX / Plastics 9HV / Plastics Aluminum 9HVA / Plastics	Frame size 36: 36×36mm 03: 38×38mm 04: 40×40mm 05: 52×52mm 06: 60×60mm 08: 80×80mm 09: 92×92mm 12: 120×120mm 13: 127×127mm 14: 140×140mm 15: 150×150mm 17: φ172mm 47: φ172mm×147mm (sidecut) 57: φ172mm×150mm (sidecut) 20: φ200mm	Voltage 05: 5V 12: 12V 24: 24V 48: 48V etc	Speed code A,B,C,D,E,F,G,H,J,K, L,M,S,W etc	Frame thickness 0: 70mm thick 1: 38mm thick 2: 32mm thick 3: 28mm thick 4: 25mm thick 5: 50mm thick 51mm thick 6: 20mm thick 7: 15mm thick 9: 10mm thick	Sensor specifications 01 or 001: With a pulse sensor 02 or 002: Without a sensor D01 or D001: With a lock sensor	Frame form Nil: Plastics frame: Ribbed frame Aluminum frame: Ribless frame 1: Plastics frame: Ribless frame 3: 40×40×28mm for 1U applications Plastics frame: Ribbed frame

Fans with PWM control function

Example :

9GV	12	12	P	4	G	01	
Type name / frame material 9GV / Plastics Aluminum	Frame size 12: 120×120mm	Voltage 12: 12V	PWM control function	Frame thickness	Speed code	Individual customer's spec 2 to 4 digits	Frame form Nil: Plastics frame: Ribbed frame Aluminum frame: Ribless frame

How to Read Specifications

DC Fan											DC	
Model No.	① Rated Voltage [V]	② Operating Voltage Range [V]	③ Rated Current [A]	④ Rated Input [W]	⑤ Rated Speed [min ⁻¹]	⑥ Max. Airflow [m ³ /min] [CFM]		⑦ Max. Static Pressure [Pa] [inchH ₂ O]		⑧ SPL [dB(A)]	⑨ Operating Temperature [°C]	⑩ Expected Life [h]
9GA0412G7001	12	7 to 13.8	0.17	2.04	13,100	0.36	12.7	192	0.77	42	-20 to +70	40,000/60°C (70,000/40°C)

- ① Rated Voltage This is the necessary voltage to drive the fan. 12VDC, 24VDC and 48VDC are available.
- ② Operating Voltage Range The voltage range over which fan operation is guaranteed
- ③ Rated Current The current value during the fan's rated operation without load
- ④ Rated Input The input value during the fan's rated operation without load
- ⑤ Rated Speed The rotating speed during the fan's rated operation without load
- ⑥ Max. Airflow The maximum air volume that the fan can output during rated operation (according to the company's dual-chamber device).
The volume of air generated by the fan in a given time period
- ⑦ Max. Static Pressure The maximum static pressure value that the fan can output during rated operation (according to the company's dual-chamber device). The static pressure is the fan's force to propel air by overcoming the resistance of the device that uses the fan when it propels air.
- ⑧ SPL "SPL" is Sound Pressure Level. The noise level during the fan's rated operation.
Please refer to the technical material section for the method used to measure the noise level.
- ⑨ Operating Temperature The temperature range over which fan operation is guaranteed (Non- condensing)
- ⑩ Expected Life The fan's expected operating life when the fan operates continuously at the rated voltage at a temperature of 60°C and at relative humidity of 90%. Expected life at 40°C ambient is just reference value.
Please refer to the technical material section for the expected operating life.

DC Fan Common Specifications

Material Frame,Impeller:Plastics / Frame:Aluminum,Impeller:Plastics

* For details, refer to the appropriate page.

Expected Life Varies for each model (L10:Survival rate:90% at 60°C ,rated voltage, and continuously run in a free air state)

* Splash proof fan: Varies for each model (Indoor, L10:Survival rate:90% at 60°C ,rated voltage, and continuously run in a free air state)

Motor Protection Burnout protection at locked rotor condition and Reverse polarity protection

Dielectric Strength AC50/60Hz 500VAC 1minute(between lead conductor and frame)

Insulation Resistance 10M Ω or more at 500VDC megger (between lead conductor and frame)

Sound Pressure Level(SPL) Expressed as the value at 1m from air inlet side

Lead Wire For details, refer to the appropriate page.

Overheating protection function

Protection Functions:

If the fan blades are restricted, an overcurrent occurs and leads to a rise in the fan coil temperature. This can result in reduced performance, damage, or a fire. To prevent this from occurring, SANYO DENKI's fans incorporate an overheating protection function. Refer to the catalog for the types of protection functions.

Burnout protection function at locked rotor condition

- Current cutoff system

If the fan blades are restricted, the coil current is cut off at regular cycles to prevent overheating of the coil. When the hindrance is removed, the fan restarts automatically.

Reverse polarity protection function

No problem about fan even if positive & negative lead are connected in reverse.

However, when wiring fans with sensors or PWM speed control function, connecting positive and negative leads in reverse may damage the fans.

36 mm sq.

San Ace 36



General Specifications

- Material Frame: Plastics (Flammability: UL94V-0),
Impeller: Plastics (Flammability: UL94V-1)
- Expected Life Refer to specifications (L10:Survival rate:90% at 60°C ,
rated voltage, and continuously run in a free air state)
- Lead Wire ⊕red ⊖black (Sensor) yellow (Control) brown
(For models without PWM control function, there is no
speed control wiring.)
- Storage Temperature -20°C to +70°C (Non-condensing)

36×36×28mm (Mass : 46g) **9GX type** **9GV type**

Specifications

The following nos. **have PWM controls, pulse sensors, and ribs.**

Model No.	Rated Voltage [V]	Operating Voltage Range [V]	PWM duty cycle [%]	Rated Current [A]	Rated Input [W]	Rated Speed [min ⁻¹]	Max. Airflow [m ³ /min] [CFM]	Max. Static Pressure [Pa] [inchH ₂ O]	SPL [dB(A)]	Operating Temperature [°C]	Expected Life [h]
9GX3612P3K001	12	10.8 to 13.2	100	1.3	15.6	24,000	0.69 24.4	838 3.367	66	-10 to +60	40,000/60°C (70,000/40°C)
			0	0.07	0.84	3,200	0.09 3.2	14.0 0.056	32		

※PWM Frequency : 25kHz

Specifications

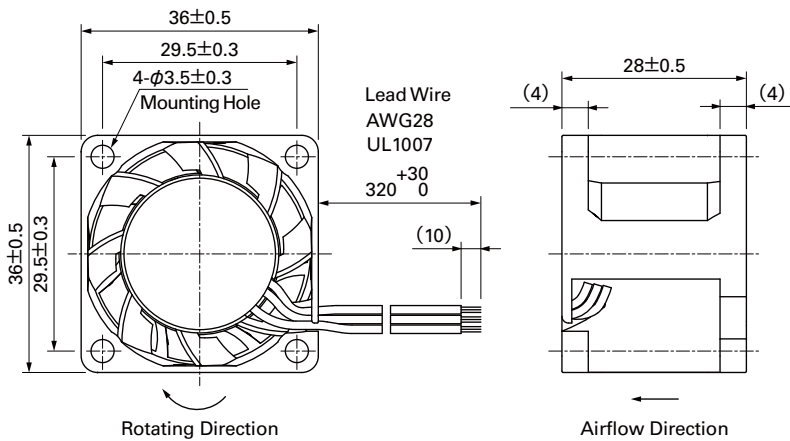
The following nos. **have pulse sensors and ribs.**

Other sensor specifications are available as options. Please refer to the index (p. 508).

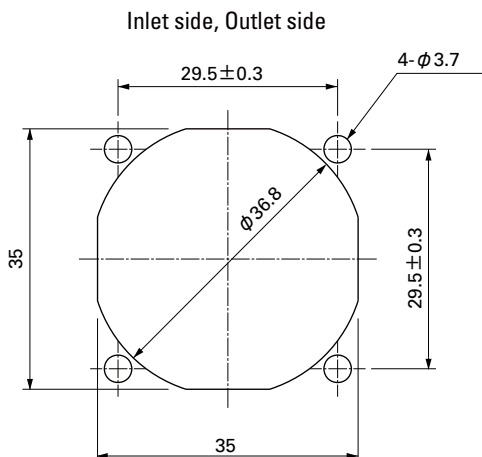
Model No.	Rated Voltage [V]	Operating Voltage Range [V]	Rated Current [A]	Rated Input [W]	Rated Speed [min ⁻¹]	Max. Airflow [m ³ /min] [CFM]	Max. Static Pressure [Pa] [inchH ₂ O]	SPL [dB(A)]	Operating Temperature [°C]	Expected Life [h]
9GV3612J301	12	7.0 to 13.2	0.75	9.0	19,000	0.55 19.4	525 2.108	58.5	-20 to +60	40,000/60°C
9GV3612G301			0.34	4.08	14,000	0.40 14.1	275 1.104	52.0		

Dimensions (unit: mm)

(With pulse sensor)



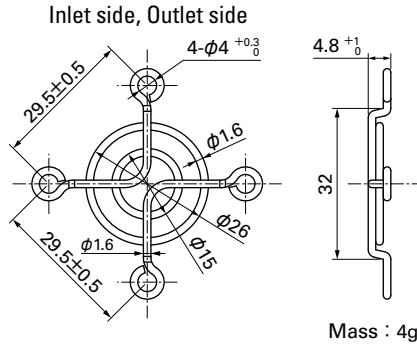
Reference Dimensions of Mounting Holes and Vent Opening (unit: mm)



Options (unit: mm)

Finger Guards

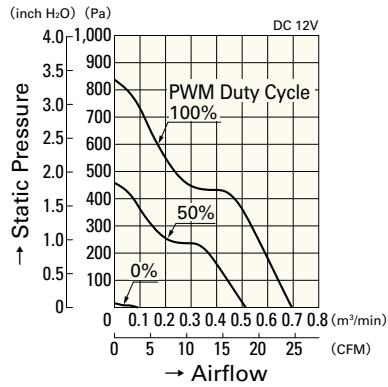
Model : 109-1050 Surface treatment : Nickel-chrome plating (silver) Color



Airflow - Static Pressure Characteristics

PWM Duty Cycle

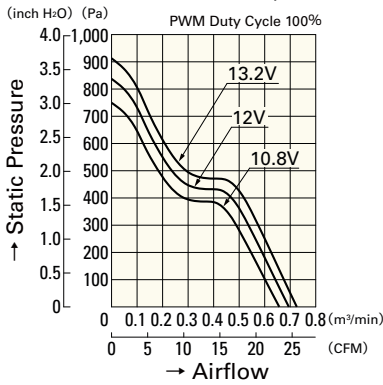
With PWM control function · With pulse sensor



9GX3612P3K001

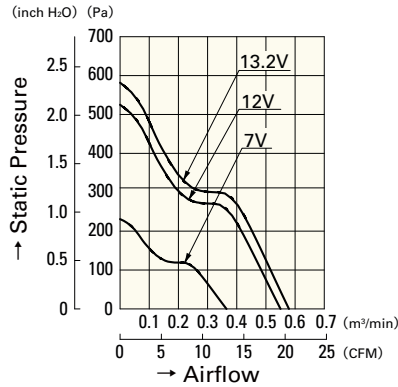
Operating Voltage Range

With PWM control function · With pulse sensor



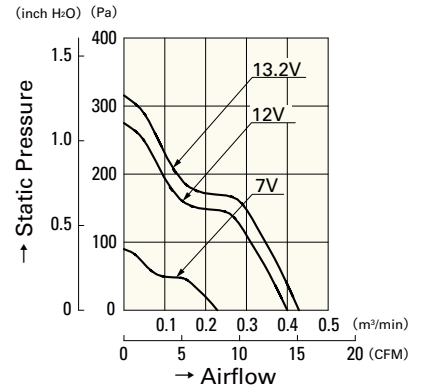
9GX3612P3K001

J speed



9GV3612J301

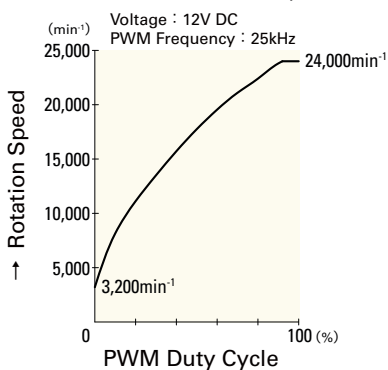
G speed



9GV3612G301

PWM Duty - Speed Characteristics Example

With PWM control function · With pulse sensor



9GX3612P3K001

38 mm sq.

San Ace 38



General Specifications

- Material Frame: Plastics (Flammability: UL94V-0),
Impeller: Plastics (Flammability: UL94V-0)
- Expected Life Refer to specifications (L10: Survival rate: 90% at 60°C ,
rated voltage, and continuously run in a free air state)
- Lead Wire ⊕red ⊖black (Sensor) yellow (Control) brown
- Storage Temperature -30°C to +70°C (Non-condensing)

38×38×28mm (Mass : 52g) **9GA type** **Low Power Consumption Fan**



Specifications

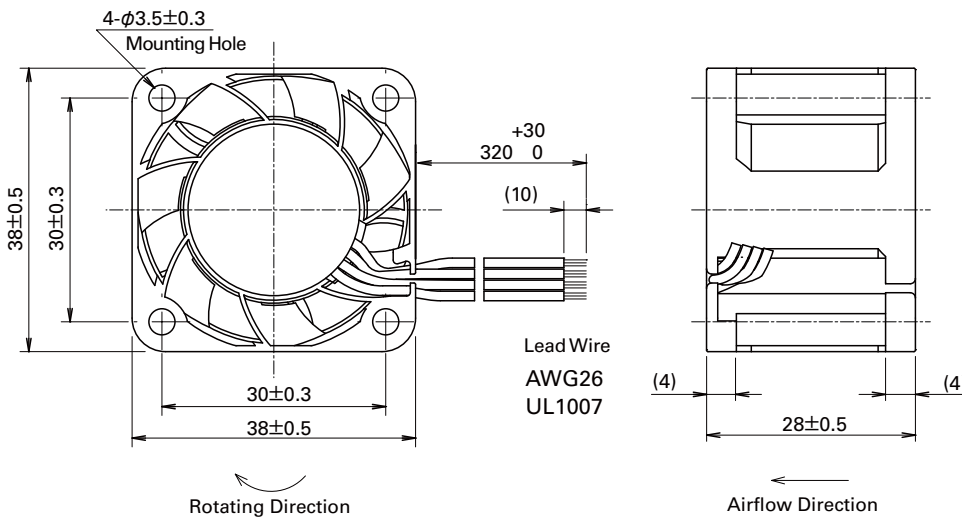
The following nos. **have PWM controls, pulse sensors, and ribs.** For ribless, append "1" to the model no.

Model No.	Rated Voltage [V]	Operating Voltage Range [V]	PWM duty cycle [※] [%]	Rated Current [A]	Rated Input [W]	Rated Speed [min ⁻¹]	Max. Airflow [m ³ /min] [CFM]		Max. Static Pressure [Pa] [inchH ₂ O]		SPL [dB(A)]	Operating Temperature [°C]	Expected Life [h]
9GA0312P3K001	12	10.8 to 13.2	100	0.62	7.4	25,000	0.60	21.2	800	3.21	59.0	-20 to +70	40,000/60°C (70,000/40°C)
			0	0.06	0.7	3,000	0.07	2.5	11	0.04	15.0		
9GA0312P3J001			100	0.52	6.2	23,500	0.57	20.1	720	2.89	57.5		
			0	0.06	0.7	3,000	0.07	2.5	11	0.04	15.0		
9GA0312P3G001			100	0.33	4.0	19,000	0.45	15.9	460	1.85	53.0		
			0	0.06	0.7	3,000	0.07	2.5	11	0.04	15.0		

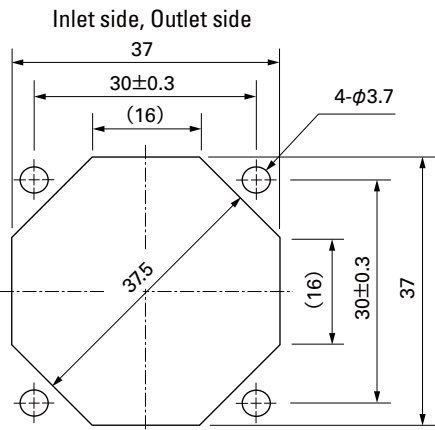
※PWM Frequency : 25kHz

Other sensor specifications are available as options. Please refer to the index (p. 504).

Dimensions (unit: mm) (With ribs)



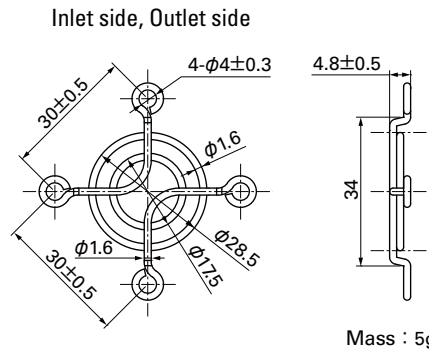
Reference Dimensions of Mounting Holes and Vent Opening (unit: mm)



Options (unit: mm)

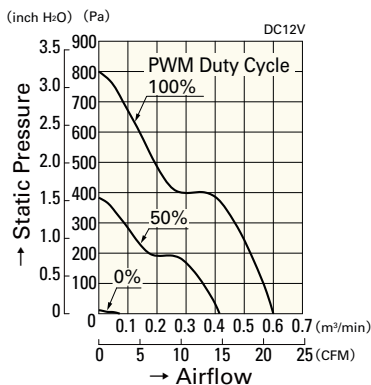
Finger Guards

Model : 109-1065 Surface treatment : Nickel-chrome plating Color

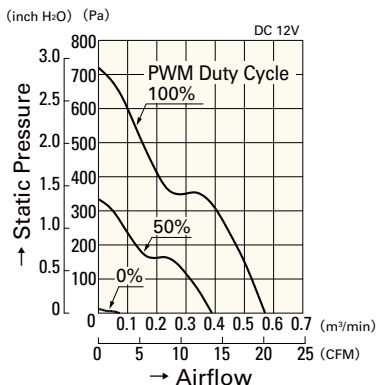


Airflow - Static Pressure Characteristics

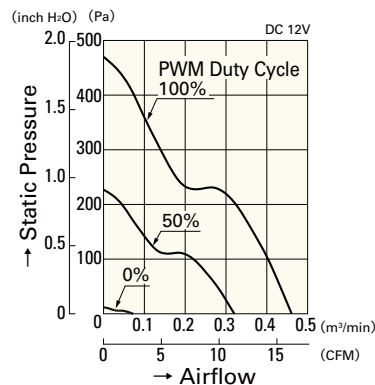
PWM Duty Cycle



9GA0312P3K001

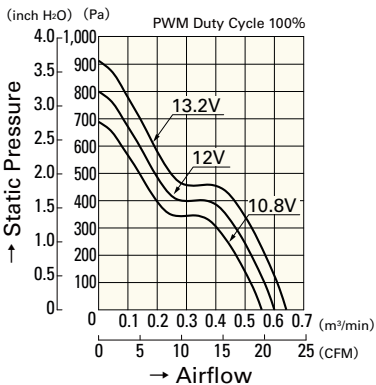


9GA0312P3J001

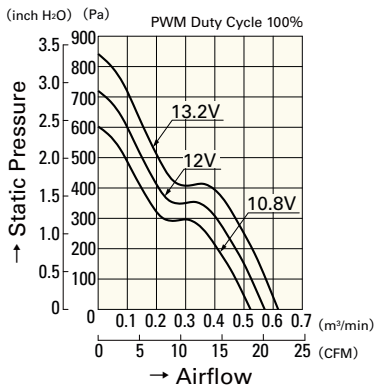


9GA0312P3G001

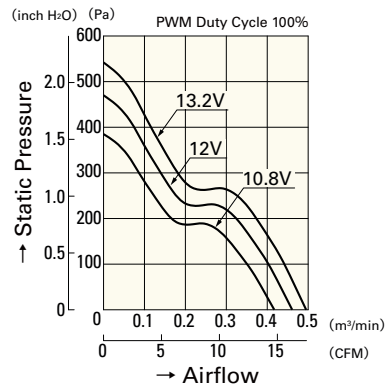
Operating Voltage Range



9GA0312P3K001

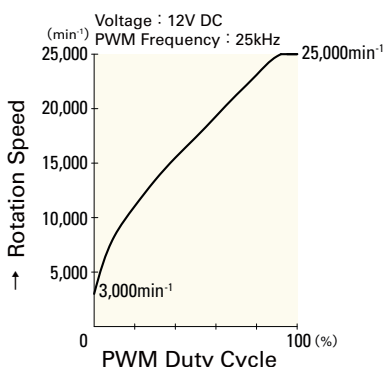


9GA0312P3J001

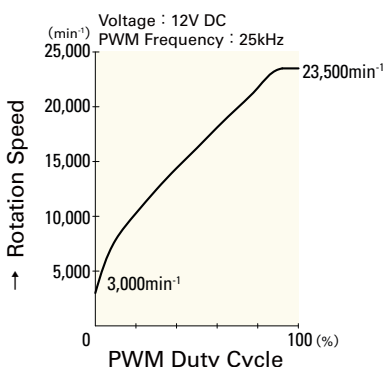


9GA0312P3G001

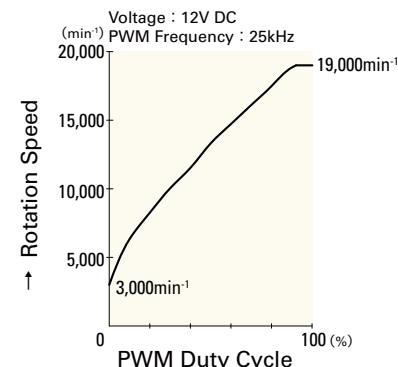
PWM Duty - Speed Characteristics Example



9GA0312P3K001



9GA0312P3J001



9GA0312P3G001

38mm sq.

San Ace 38



General Specifications

- Material Frame: Plastics (Flammability: UL94V-0),
Impeller: Plastics (Flammability: UL94V-1)
- Expected Life Refer to specifications (L10:Survival rate:90% at 60°C ,
rated voltage, and continuously run in a free air state)
- Lead Wire ⊕red ⊖black (Sensor) yellow
- Storage Temperature -20°C to +70°C (Non-condensing)

38×38×28mm (Mass : 50g) **9GV type**

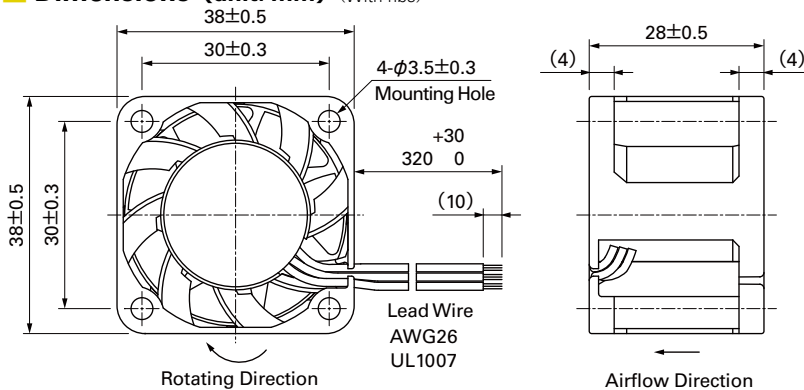
Specifications

The following nos. **have pulse sensors and ribs**. For ribless, append "1" to the model no.

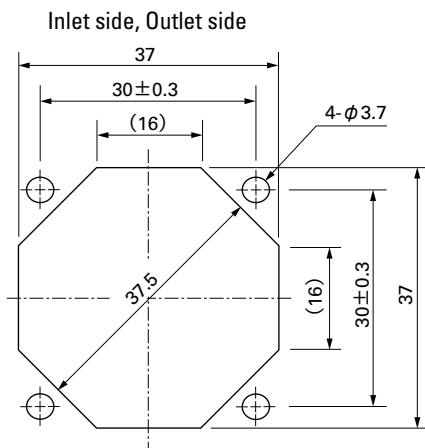
Model No.	Rated Voltage [V]	Operating Voltage Range [V]	Rated Current [A]	Rated Input [W]	Rated Speed [min ⁻¹]	Max. Airflow [m ³ /min] [CFM]	Max. Static Pressure [Pa] [inchH ₂ O]	SPL [dB(A)]	Operating Temperature [°C]	Expected Life [h]
9GV0312K301	12	7 to 13.2	0.79	9.48	18,200	0.65	23	425	1.707	59
9GV0312J301			0.6	7.2	15,900	0.57	20	315	1.265	54
9GV0312G301			0.4	4.8	13,500	0.48	17	220	0.924	50
9GV0312E301		4.5 to 13.2	0.21	2.52	10,500	0.37	13.1	130	0.522	43
9GV0312H301			0.16	1.92	7,000	0.24	8.5	60	0.241	34

Other sensor specifications are available as options. Please refer to the index (p. 507).

Dimensions (unit: mm) (With ribs)



Reference Dimensions of Mounting Holes and Vent Opening (unit: mm)

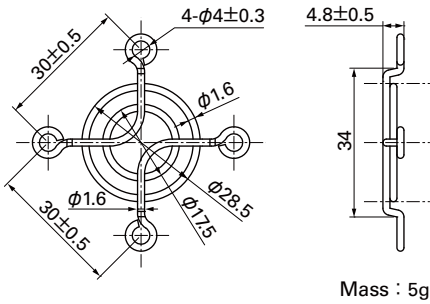


Options (unit: mm)

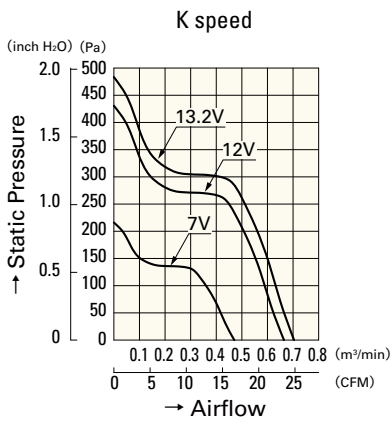
Finger Guards

Model : 109-1065 Surface treatment : Nickel-chrome plating (silver) Color

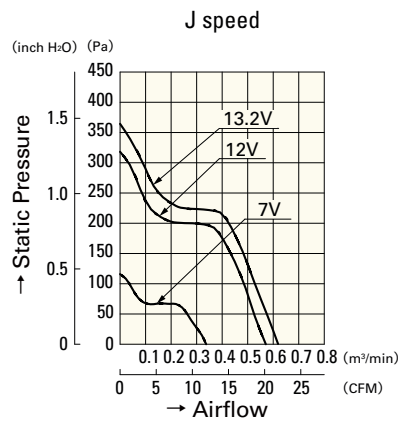
Inlet side, Outlet side



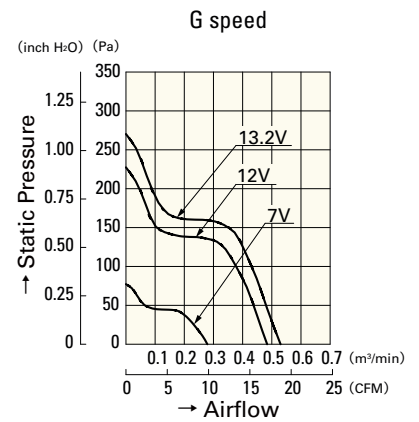
Airflow - Static Pressure Characteristics



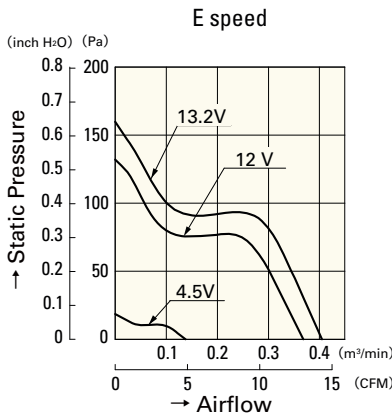
9GV0312K301



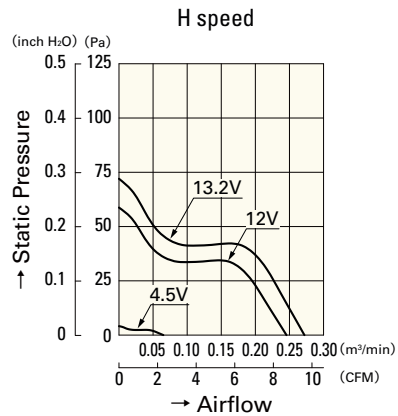
9GV0312J301



9GV0312G301



9GV0312E301



9GV0312H301

40mm sq.

San Ace 40



General Specifications

- Material Frame: Plastics (Flammability: UL94V-0),
Impeller: Plastics (Flammability: UL94V-1)
- Expected Life Refer to specifications (L10:Survival rate:90% at 60°C ,
rated voltage, and continuously run in a free air state)
- Lead Wire ⊕red ⊖black or blue (Sensor) yellow
- Storage Temperature -30°C to +70°C (Non-condensing)

40×40×10mm (Mass : 19g) **9P** type

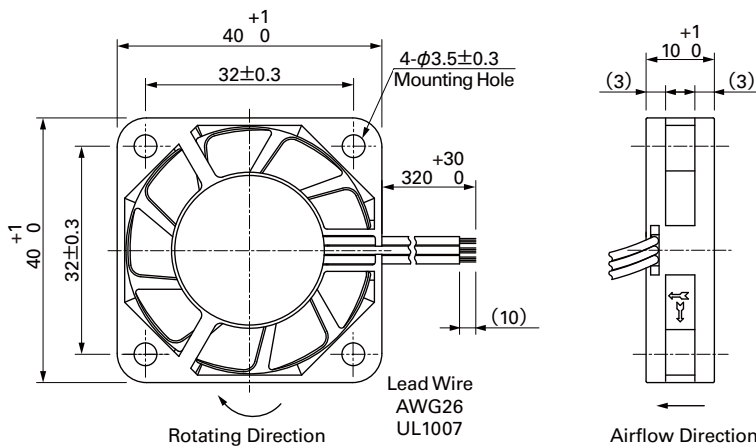
Specifications

The following nos. have pulse sensors and ribs.

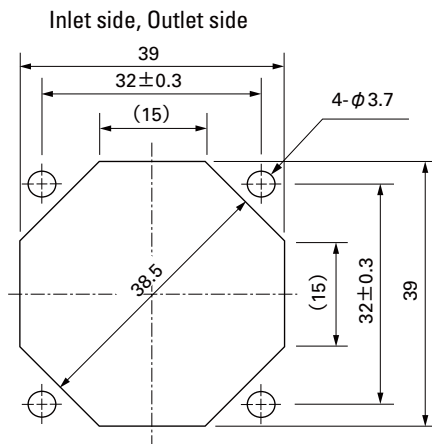
Model No.	Rated Voltage [V]	Operating Voltage Range [V]	Rated Current [A]	Rated Input [W]	Rated Speed [min ⁻¹]	Max. Airflow [m ³ /min] [CFM]	Max. Static Pressure [Pa] [inchH ₂ O]	SPL [dB(A)]	Operating Temperature [°C]	Expected Life [h]
109P0405H901	5	4.5 to 5.5	0.16	0.8	6,200	0.15	5.3	41.2	-10 to +60	40,000/60°C
109P0405M901			0.11	0.55	5,000	0.12	4.2	27		
109P0412H901	12	7 to 13.8	0.07	0.84	6,200	0.15	5.3	41.2		
109P0412M901			0.06	0.72	5,000	0.12	4.2	27		

Other sensor specifications are available as options. Please refer to the index (pp. 496 to 497).

Dimensions (unit: mm)



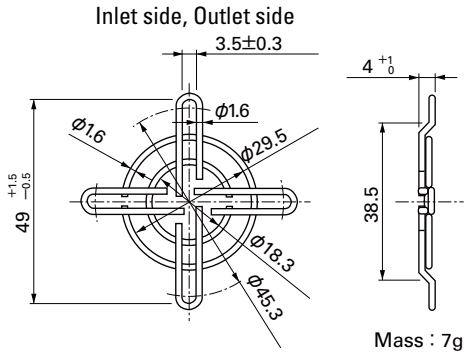
Reference Dimensions of Mounting Holes and Vent Opening (unit: mm)



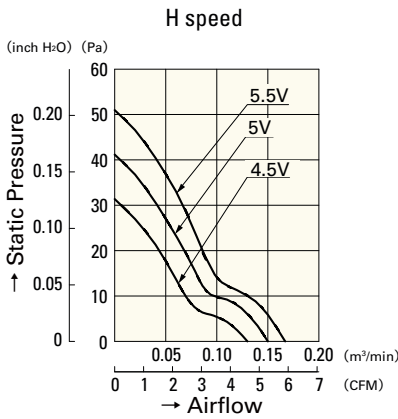
Options (unit: mm)

Finger Guards

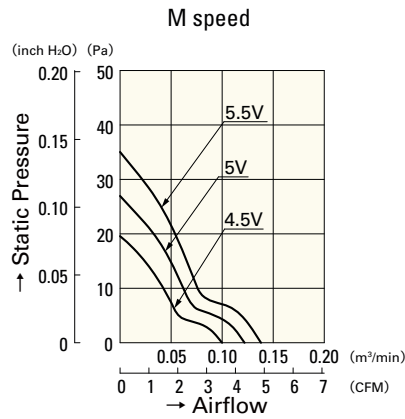
Model : 109-059 Surface treatment : Nickel-chrome plating (silver) Color
 : 109-059H : Cation electropainting (black)



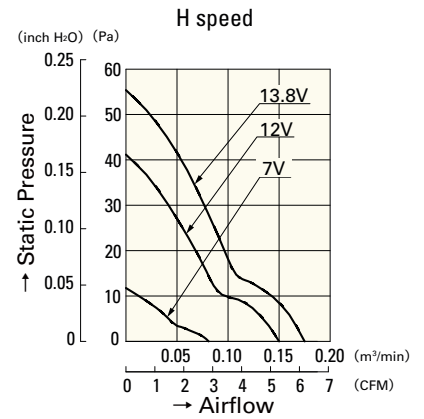
Airflow - Static Pressure Characteristics



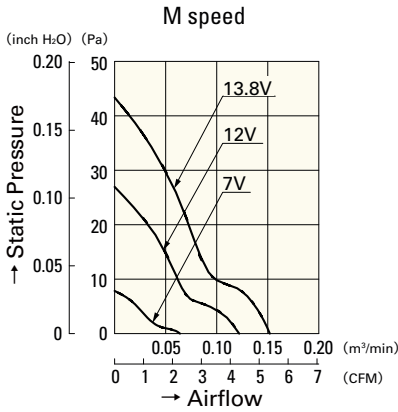
109P0405H901



109P0405M901



109P0412H901



109P0412M901

40mm sq.

San Ace 40



General Specifications

- Material Frame: Plastics (Flammability: UL94V-0),
Impeller: Plastics (Flammability: UL94V-0)
- Expected Life Refer to specifications (L10: Survival rate: 90% at 60°C ,
rated voltage, and continuously run in a free air state)
- Lead Wire ⊕red ⊖black (Sensor) yellow (Control) brown
(For models without PWM control function, there is no speed control wiring.)
- Storage Temperature -30°C to +70°C (Non-condensing)

40×40×15mm (Mass : 28g) **9GA type** High Airflow Low Power Consumption Fan



Specifications

The following nos. **have PWM controls, pulse sensors, and ribs.**

Model No.	Rated Voltage [V]	Operating Voltage Range [V]	PWM duty cycle ^{Note①} [%]	Rated Current [A]	Rated Input [W]	Rated Speed [min ⁻¹]	Max. Airflow [m ³ /min] [CFM]	Max. Static Pressure [Pa] [inchH ₂ O]	SPL [dB(A)]	Operating Temperature [°C]	Expected Life [h]
9GA0412P7G001	12	10.2 to 13.8	100	0.17	2.04	13,100	0.36 12.7	192 0.77	42	-20 to +70	40,000/60°C (70,000/40°C)

Note: Fan does not rotate when PWM duty cycle is 0%.

※PWM Frequency : 25kHz

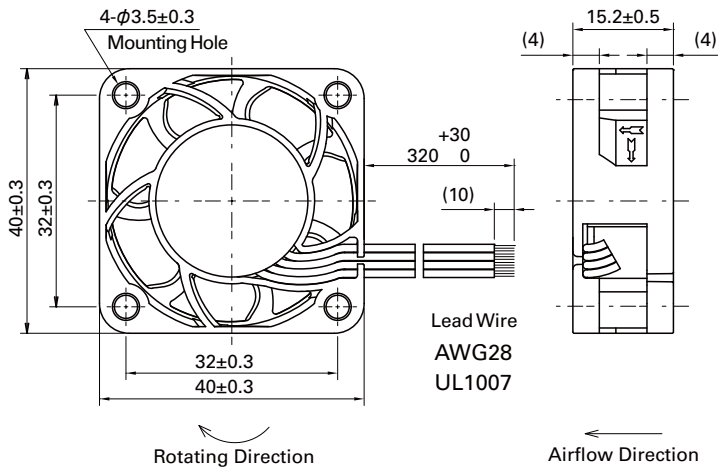
The following nos. **have pulse sensors and ribs.**

Model No.	Rated Voltage [V]	Operating Voltage Range [V]	Rated Current [A]	Rated Input [W]	Rated Speed [min ⁻¹]	Max. Airflow [m ³ /min] [CFM]	Max. Static Pressure [Pa] [inchH ₂ O]	SPL [dB(A)]	Operating Temperature [°C]	Expected Life [h]
9GA0412G7001	12	7 to 13.8	0.17	2.04	13,100	0.36 12.7	192 0.77	42	-20 to +70	40,000/60°C (70,000/40°C)
9GA0412H7001			0.06	0.72	7,300	0.2 7.1	59.6 0.24	28		

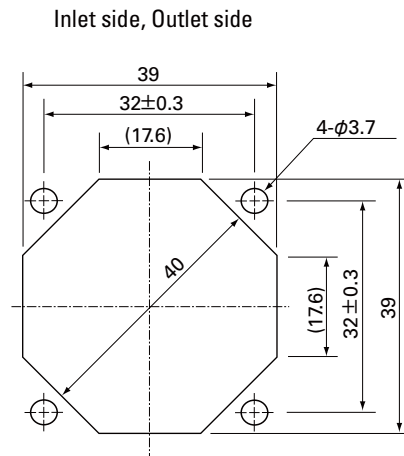
Other sensor specifications are available as options. Please refer to the index (p. 504).

Dimensions (unit: mm)

(With PWM control function · With pulse sensor)



Reference Dimensions of Mounting Holes and Vent Opening (unit: mm)

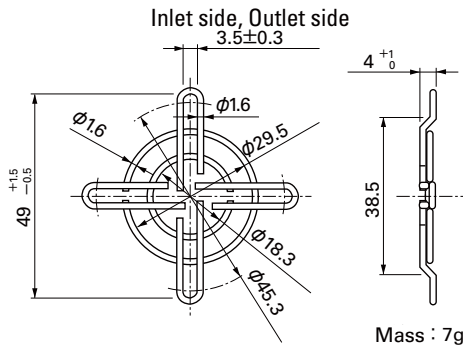


Options (unit: mm)

Finger Guards

Model : 109-059 Surface treatment : Nickel-chrome plating (silver)
 : 109-059H : Cation electropainting (black)

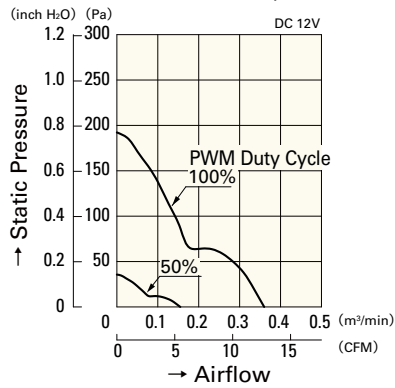
Color



Airflow - Static Pressure Characteristics

PWM Duty Cycle

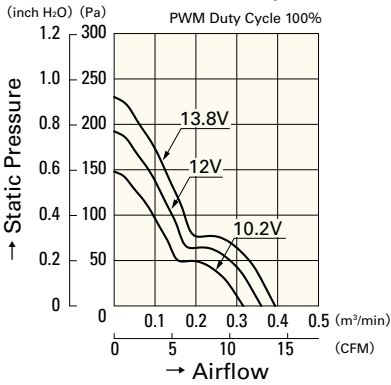
With PWM control function · With pulse sensor



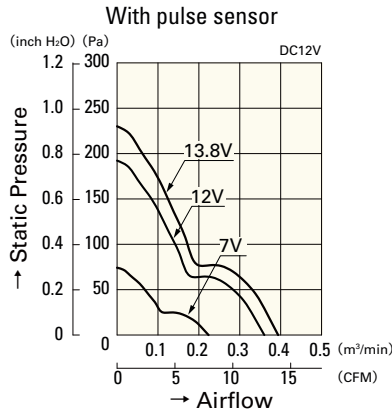
9GA0412P7G001

Operating Voltage Range

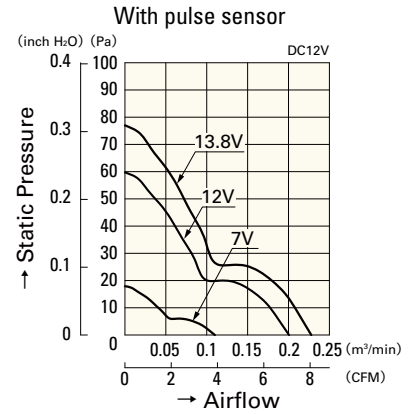
With PWM control function · With pulse sensor



9GA0412P7G001



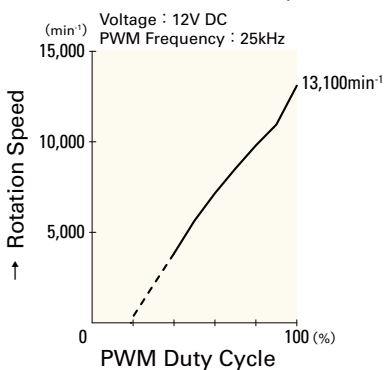
9GA0412G7001



9GA0412H7001

PWM Duty - Speed Characteristics Example

With PWM control function · With pulse sensor



9GA0412P7G001

40mm sq.

San Ace 40



General Specifications

- Material Frame: Plastics (Flammability: UL94V-0),
Impeller: Plastics (Flammability: UL94V-1)
- Expected Life Refer to specifications (L10:Survival rate:90% at 60°C ,
rated voltage, and continuously run in a free air state)
- Lead Wire ⊕red ⊖black or blue (Sensor) yellow
- Storage Temperature -30°C to +70°C (Non-condensing)

40×40×15mm (Mass : 32g) **9P** type

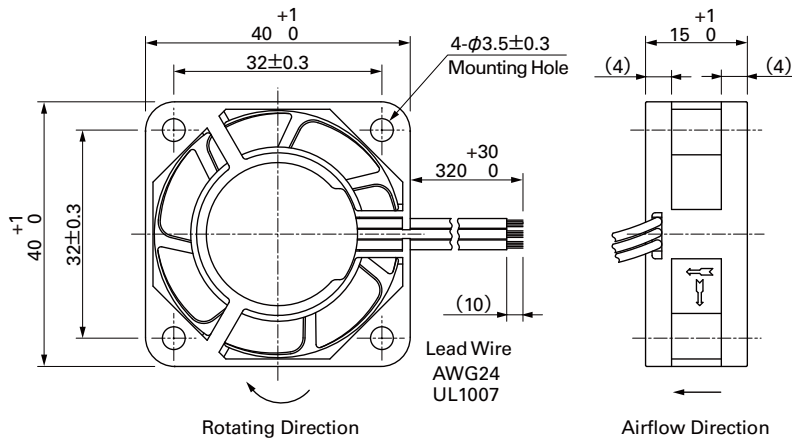
Specifications

The following nos. **have pulse sensors and ribs.**

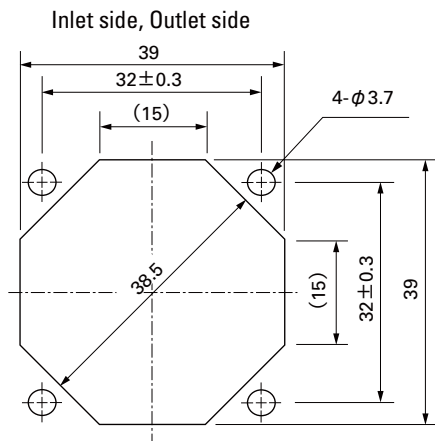
Model No.	Rated Voltage [V]	Operating Voltage Range [V]	Rated Current [A]	Rated Input [W]	Rated Speed [min ⁻¹]	Max. Airflow [m ³ /min] [CFM]	Max. Static Pressure [Pa] [inchH ₂ O]	SPL [dB(A)]	Operating Temperature [°C]	Expected Life [h]		
109P0405H701	5	4.5 to 5.5	0.28	1.4	7,700	0.18	6.4	75.5	0.303	28	-20 to +60	60,000/60°C
109P0405M701			0.21	1.05	6,500	0.15	5.3	53	0.213	24		
109P0412R701	12	7 to 13.8	0.13	1.56	9,700	0.227	8.0	111.9	0.449	34	-20 to +70	60,000/60°C
109P0412S701			0.18	2.16	8,600	0.2	7.06	92.1	0.369	32		
109P0412H701			0.13	1.56	7,700	0.18	6.4	75.5	0.303	28		
109P0412M701			0.095	1.14	6,500	0.15	5.3	53	0.213	24		
109P0424H701	24	20.4 to 27.6	0.08	1.92	7,700	0.18	6.4	75.5	0.303	28		

Other sensor specifications are available as options. Please refer to the index (pp. 496 to 497).

Dimensions (unit: mm)



Reference Dimensions of Mounting Holes and Vent Opening (unit: mm)

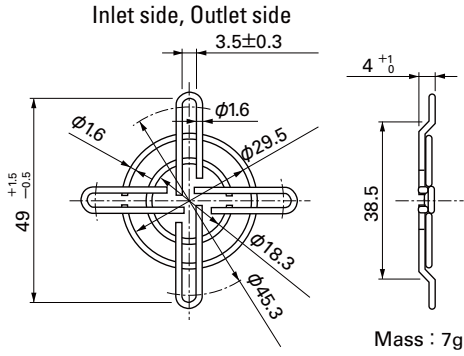


Options (unit: mm)

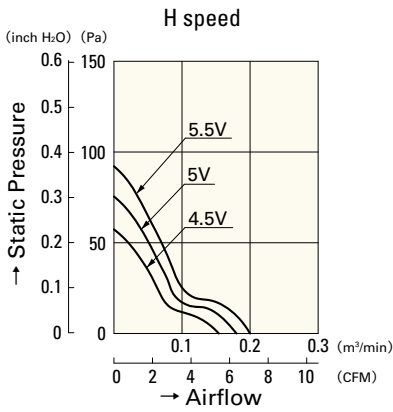
Finger Guards

Model : 109-059 Surface treatment : Nickel-chrome plating (silver)
 : 109-059H : Cation electropainting (black)

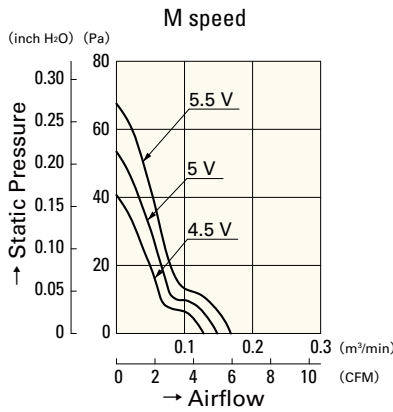
Color



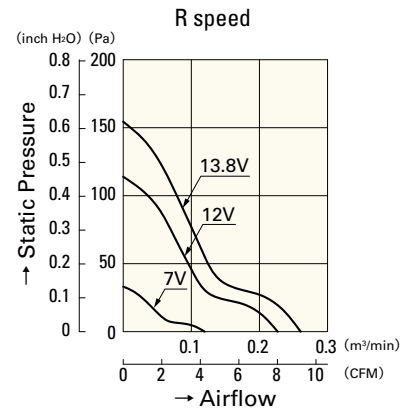
Airflow - Static Pressure Characteristics



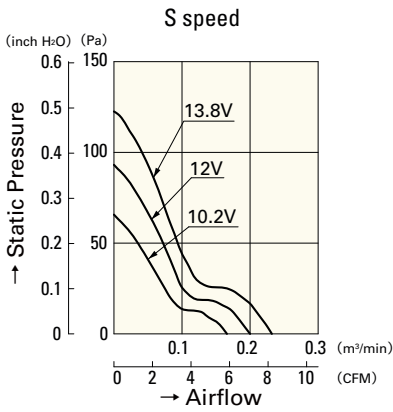
109P0405H701



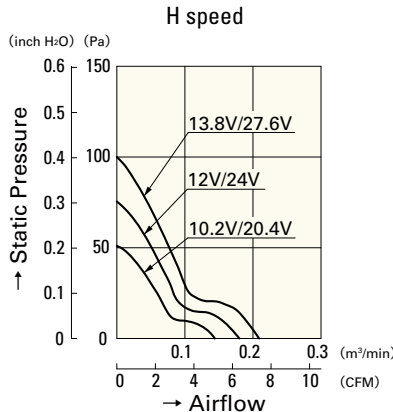
109P0405M701



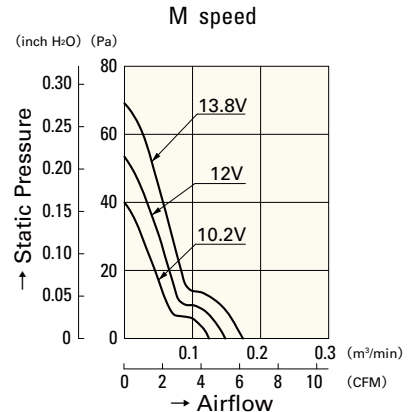
109P0412R701



109P0412S701



109P0412H701
109P0424H701



109P0412M701

40mm sq.

San Ace 40



General Specifications

- Material Frame: Plastics (Flammability: UL94V-0),
Impeller: Plastics (Flammability: UL94V-0)
- Expected Life Refer to specifications (L10: Survival rate: 90% at 60°C ,
rated voltage, and continuously run in a free air state)
- Lead Wire ⊕red ⊖black (Sensor) yellow (Control) brown
- Storage Temperature -30°C to +70°C (Non-condensing)

40×40×20mm (Mass : 35g) **9GA type** High Airflow Low Power Consumption Fan



Specifications The following nos. have PWM controls, pulse sensors, and ribs.

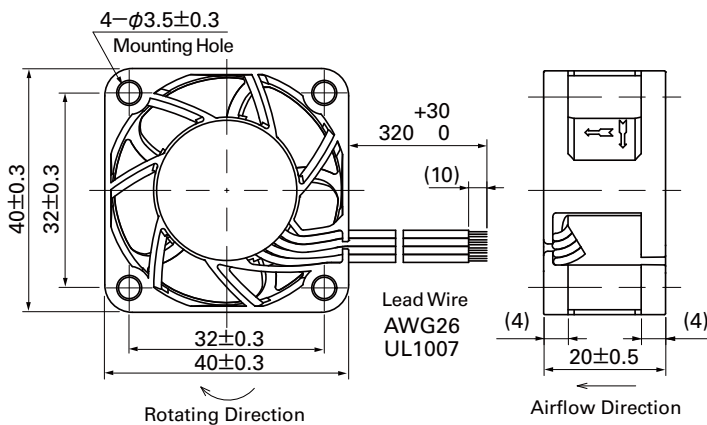
Model No.	Rated Voltage [V]	Operating Voltage Range [V]	PWM duty cycle* [%]	Rated Current [A]	Rated Input [W]	Rated Speed [min ⁻¹]	Max. Airflow [m ³ /min] [CFM]	Max. Static Pressure [Pa] [inchH ₂ O]	SPL [dB(A)]	Operating Temperature [°C]	Expected Life [h]
9GA0405P6H001 ^(Note)	5	4.5 to 5.5	100	0.35	1.75	12,400	0.33 11.7	191 0.77	40	-20 to +70	40,000/60°C
9GA0405P6F001 ^(Note)			100	0.18	0.9	8,000	0.21 7.4	79.5 0.32	28		60,000/60°C
9GA0412P6G001	12	10.2 to 13.8	100	0.23	2.76	16,000	0.42 14.8	318 1.28	47		40,000/60°C
			0	0.04	0.48	3,800	0.10 3.5	17.9 0.07	14		60,000/60°C
100			0.14	1.68	12,400	0.33 11.7	191 0.77	40			
0			0.04	0.48	3,800	0.10 3.5	17.9 0.07	14			
100			0.08	0.96	8,000	0.21 7.4	79.5 0.32	28			
9GA0412P6F001			0	0.03	0.36	2,200	0.06 2.1	6.0 0.02	10		
9GA0424P6G001 ^(Note)	24	20.4 to 27.6	100	0.13	3.12	16,000	0.42 14.8	318 1.28	47		40,000/60°C
9GA0424P6H001 ^(Note)			100	0.08	1.92	12,400	0.33 11.7	191 0.77	40		60,000/60°C
9GA0424P6F001 ^(Note)			100	0.04	0.96	8,000	0.21 7.4	79.5 0.32	28		

Note: Rated voltage 5V and 24V fans do not rotate when PWM duty cycle is 0%.

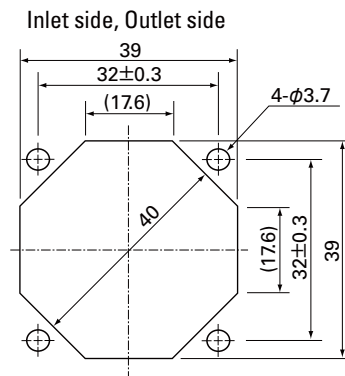
*PWM Frequency : 25kHz

Other sensor specifications are available as options. Please refer to the index (p. 504).

Dimensions (unit: mm)



Reference Dimensions of Mounting Holes and Vent Opening (unit: mm)

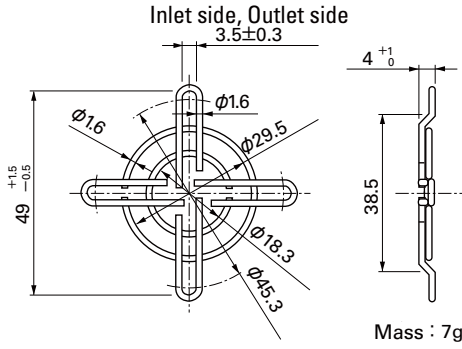


Options (unit: mm)

Finger Guards

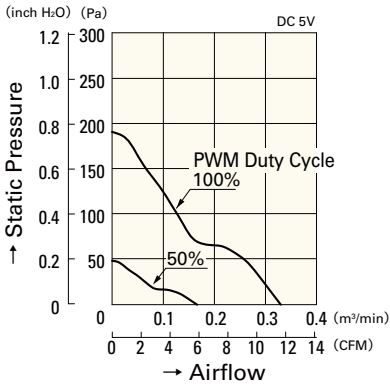
Model : 109-059 Surface treatment : Nickel-chrome plating (silver)
 : 109-059H : Cation electropainting (black)

Color

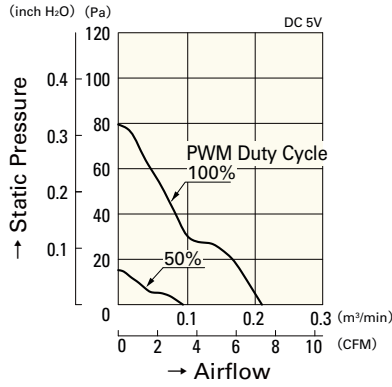


Airflow - Static Pressure Characteristics

PWM Duty Cycle

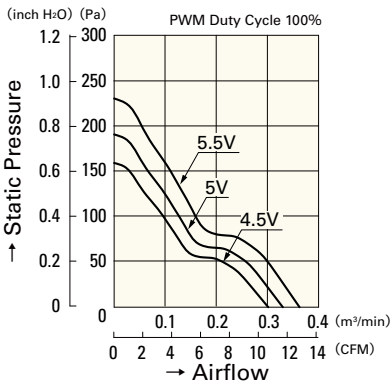


9GA0405P6H001

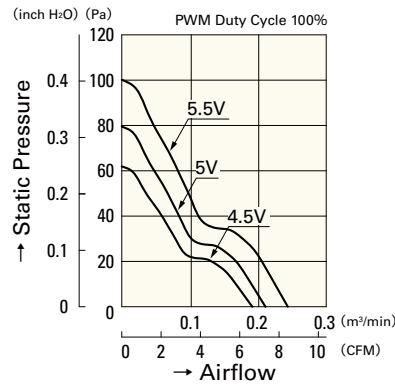


9GA0405P6F001

Operating Voltage Range

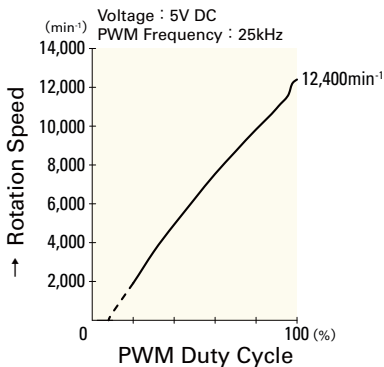


9GA0405P6H001

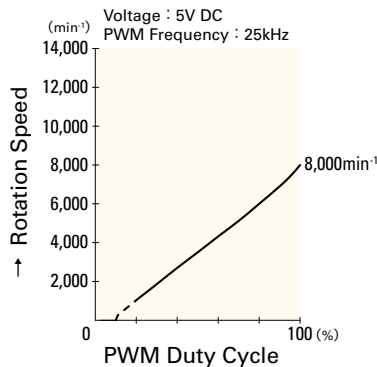


9GA0405P6F001

PWM Duty - Speed Characteristics Example



9GA0405P6H001



9GA0405P6F001

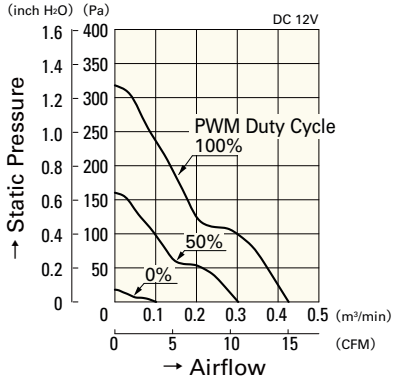
40mm sq.

San Ace 40

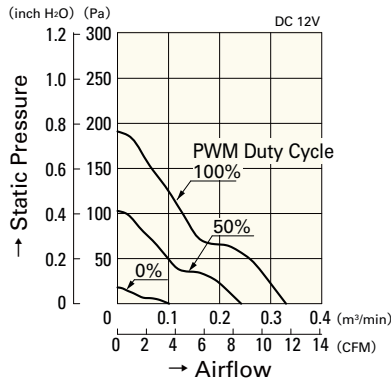
40×40×20mm [Mass : 35g]

Airflow - Static Pressure Characteristics

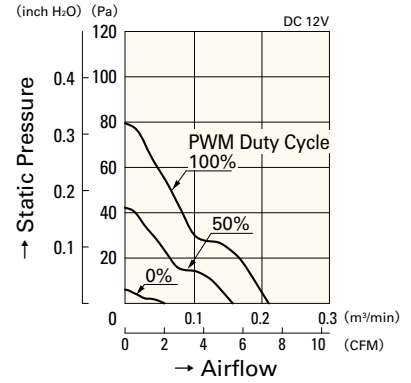
PWM Duty Cycle



9GA0412P6G001

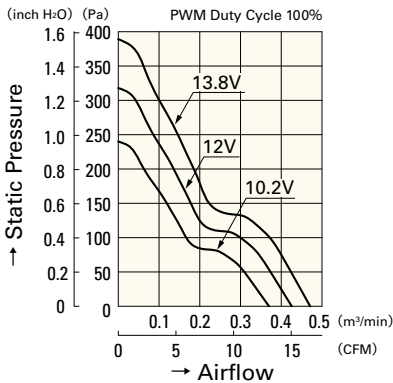


9GA0412P6H001

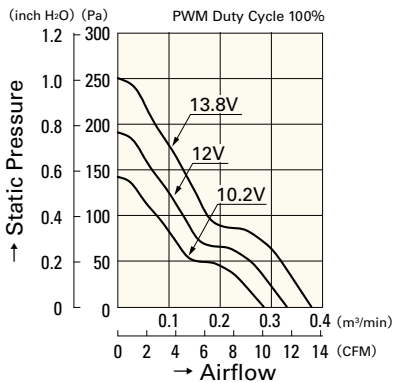


9GA0412P6F001

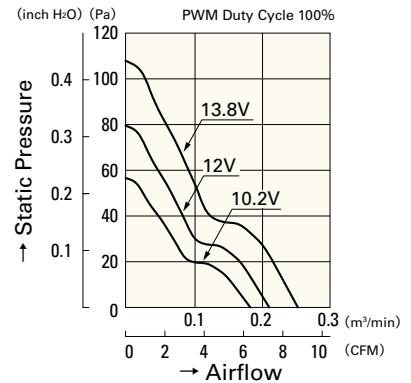
Operating Voltage Range



9GA0412P6G001

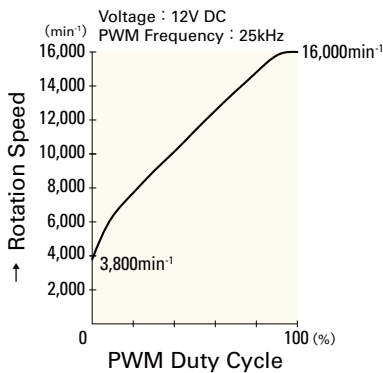


9GA0412P6H001

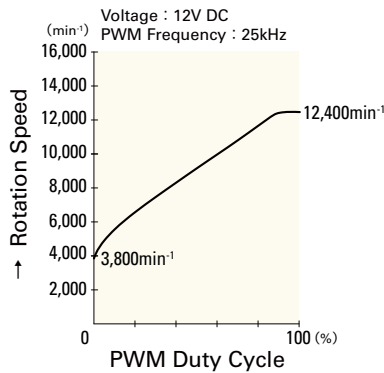


9GA0412P6F001

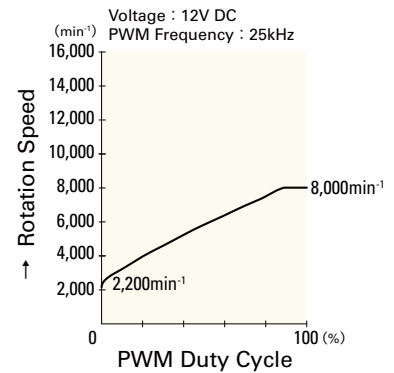
PWM Duty - Speed Characteristics Example



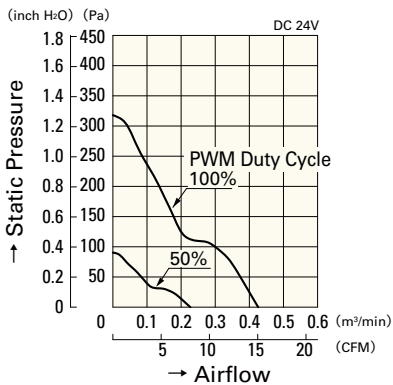
9GA0412P6G001



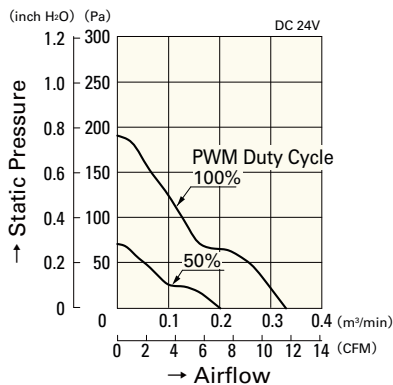
9GA0412P6H001



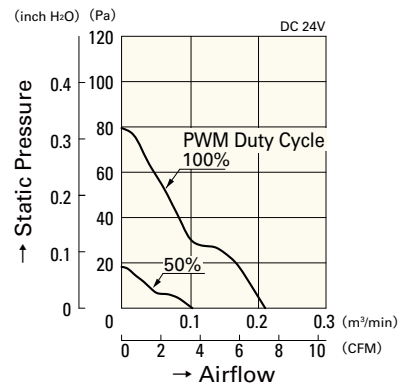
9GA0412P6F001



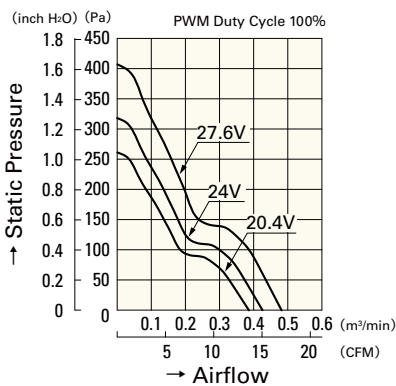
9GA0424P6G001



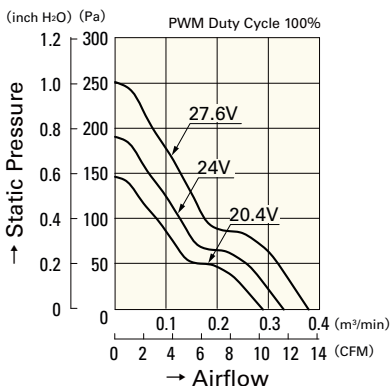
9GA0424P6H001



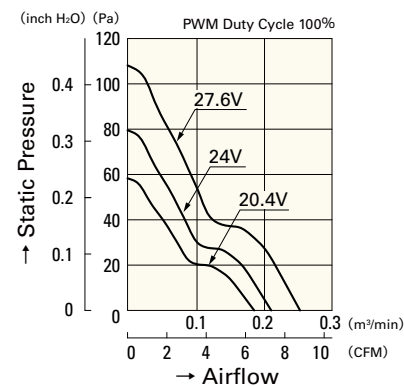
9GA0424P6F001



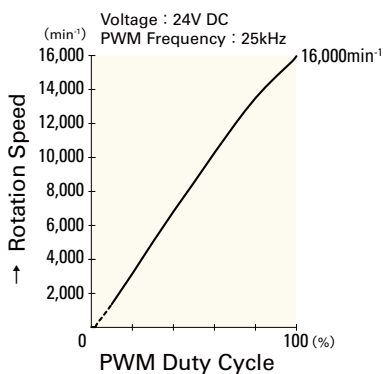
9GA0424P6G001



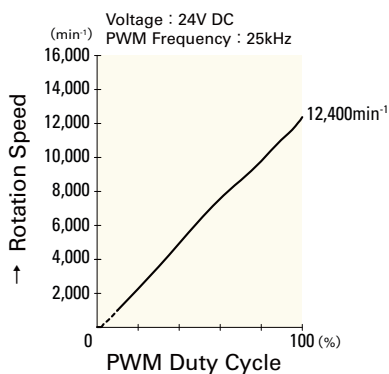
9GA0424P6H001



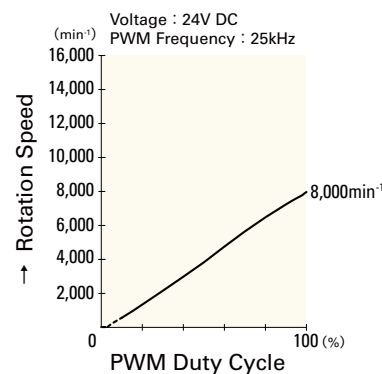
9GA0424P6F001



9GA0424P6G001



9GA0424P6H001



9GA0424P6F001

40mm sq.

San Ace 40



General Specifications

- Material Frame: Plastics (Flammability: UL94V-0),
Impeller: Plastics (Flammability: UL94V-1)
- Expected Life Refer to specifications (L10:Survival rate:90% at 60°C ,
rated voltage, and continuously run in a free air state)
- Lead Wire ⊕red ⊖black or blue (Sensor) yellow
- Storage Temperature -30°C to +70°C (Non-condensing)

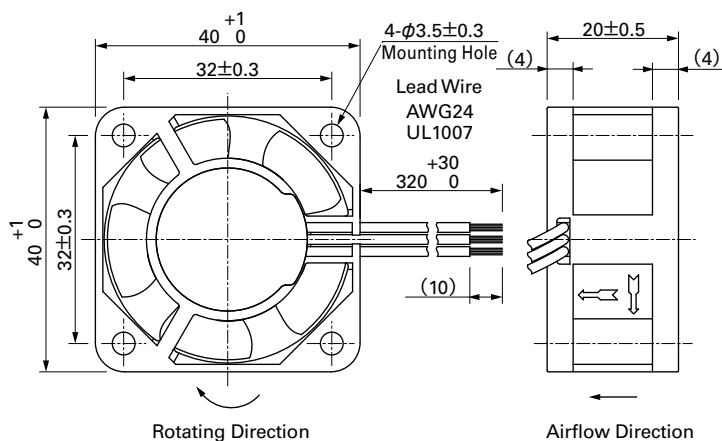
40×40×20mm (Mass : 45g) **9P type**

Specifications The following nos. have pulse sensors and ribs.

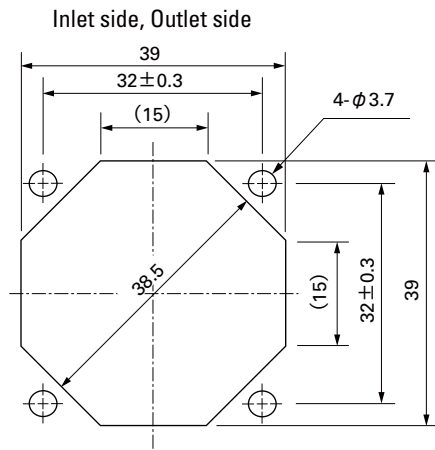
Model No.	Rated Voltage [V]	Operating Voltage Range [V]	Rated Current [A]	Rated Input [W]	Rated Speed [min ⁻¹]	Max. Airflow [m ³ /min] [CFM]	Max. Static Pressure [Pa] [inchH ₂ O]	SPL [dB(A)]	Operating Temperature [°C]	Expected Life [h]
109P0405J601	5	4.5 to 5.5	0.46	2.3	9,800	0.28 9.9	98.5 0.396	39	-20 to +70	40,000/60°C
109P0405H601			0.32	1.6	8,000	0.225 8.0	65.7 0.264	33		
109P0405F601			0.25	1.25	6,500	0.183 6.5	45.1 0.181	28		60,000/60°C
109P0405M601			0.12	0.60	5,000	0.136 4.8	26.5 0.106	24		
109P0412G601	12	7 to 13.8	0.28	3.36	12,500	0.35 12.4	153.8 0.618	44	-20 to +60	40,000/60°C
109P0412D601			0.18	2.16	11,000	0.31 10.9	124 0.498	42		
109P0412E601			0.13	1.8	9,200	0.26 9.2	87.3 0.351	37	-20 to +70	60,000/60°C
109P0412H601			0.11	1.32	8,000	0.225 8.0	65.7 0.264	33		
109P0412F601			0.09	1.08	6,500	0.183 6.5	45.1 0.181	28		
109P0412M601			0.06	0.72	5,000	0.136 4.8	26.5 0.106	24		
109P0424G601	24	12 to 27.6	0.15	3.6	12,500	0.35 12.4	153.8 0.618	44	-20 to +60	40,000/60°C
109P0424D601		12 to 27.6	0.13	3.12	11,000	0.31 10.9	124 0.498	42		
109P0424H601		12 to 27.6	0.07	1.68	8,300	0.233 8.2	69.6 0.280	35	-20 to +70	60,000/60°C
109P0424F601		14 to 27.6	0.06	1.44	6,500	0.183 6.5	45.1 0.181	28		
109P0424B601		20.4 to 27.6	0.06	1.44	5,200	0.14 4.9	28.3 0.114	25		

Other sensor specifications are available as options. Please refer to the index (pp. 496 to 497).

Dimensions (unit: mm)



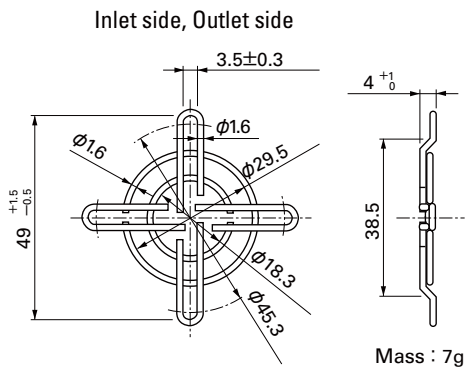
Reference Dimensions of Mounting Holes and Vent Opening (unit: mm)



Options (unit: mm)

Finger Guards

Model : 109-059 Surface treatment : Nickel-chrome plating (silver) Color
 : 109-059H : Cation electropainting (black)

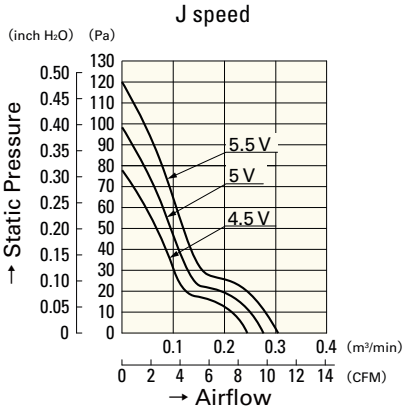


40mm sq.

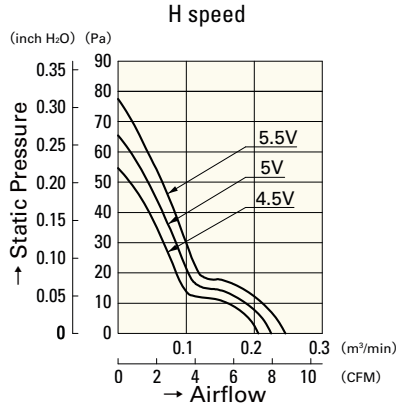
San Ace 40

40×40×20mm [Mass : 45g]

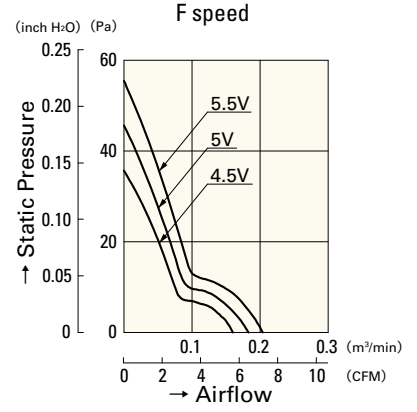
Airflow - Static Pressure Characteristics



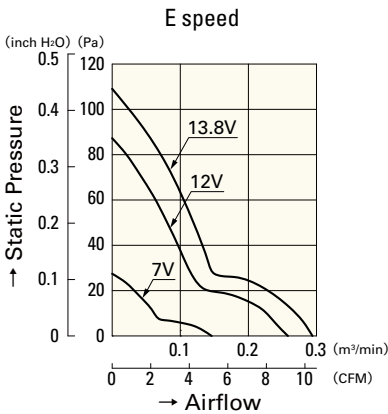
109P0405J601



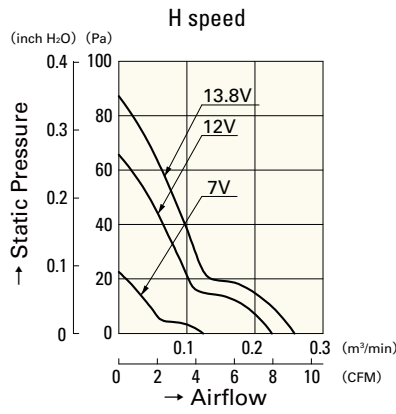
109P0405H601



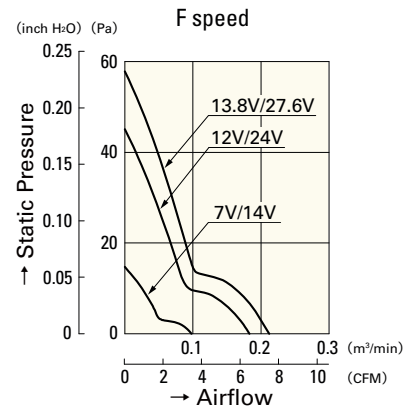
109P0405F601



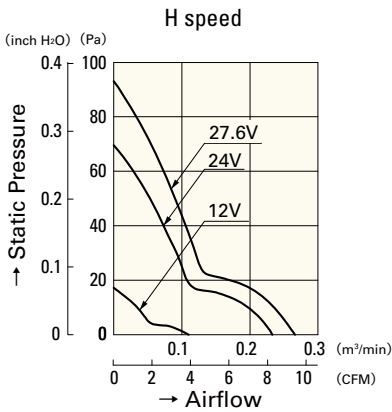
109P0412E601



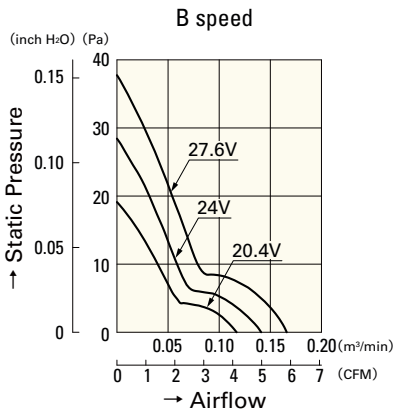
109P0412H601



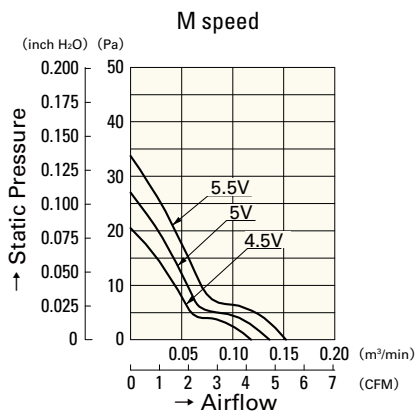
109P0412F601
109P0424F601



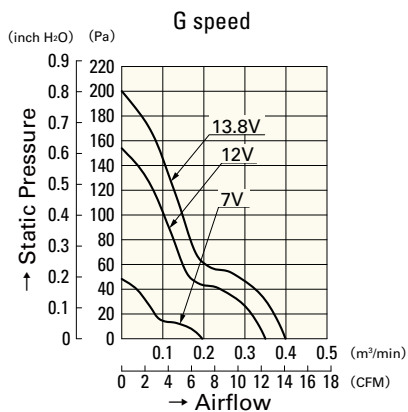
109P0424H601



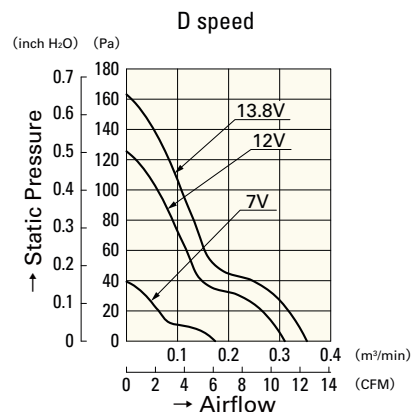
109P0424B601



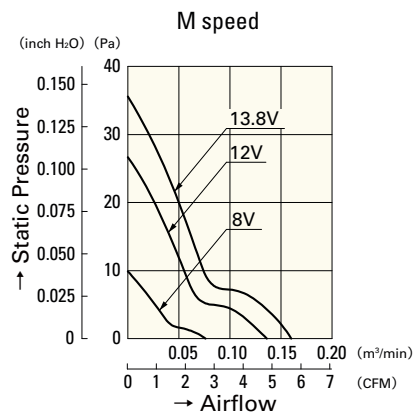
109P0405M601



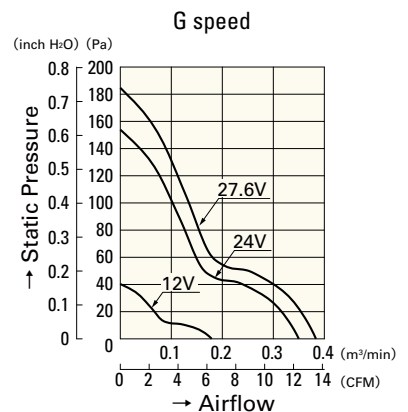
109P0412G601



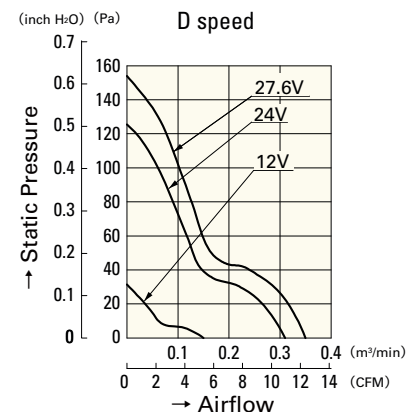
109P0412D601



109P0412M601



109P0424G601



109P0424D601

40 mm sq.

San Ace 40



General Specifications

- Material Frame: Aluminum, Impeller: Plastics (Flammability: UL94V-0)
- Expected Life Refer to specifications (L10: Survival rate: 90% at 60°C, rated voltage, and continuously run in a free air state)
- Lead Wire ⊕ red ⊖ black (Sensor) yellow (Control) brown
- Storage Temperature -30°C to +70°C (Non-condensing)

40×40×28mm [Mass : 60g] **9HV type**

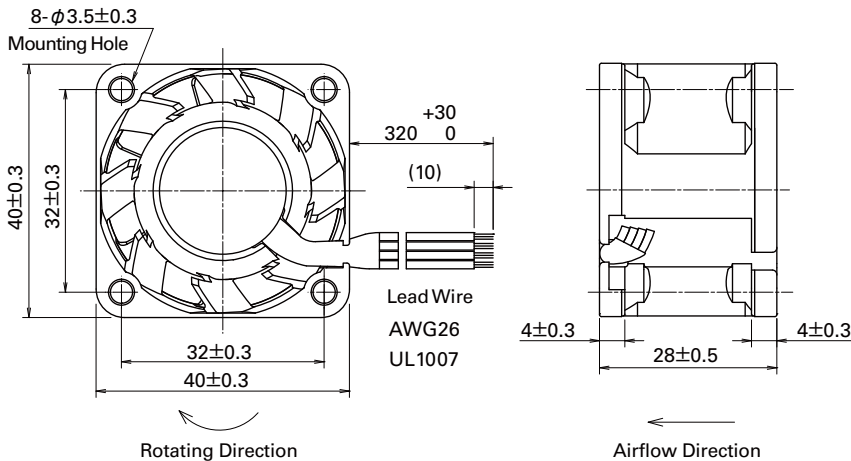
Specifications

The following nos. have PWM controls and pulse sensors.

Model No.	Rated Voltage [V]	Operating Voltage Range [V]	PWM duty cycle* [%]	Rated Current [A]	Rated Input [W]	Rated Speed [min ⁻¹]	Max. Airflow [m ³ /min] [CFM]	Max. Static Pressure [Pa] [inchH ₂ O]	SPL [dB(A)]	Operating Temperature [°C]	Expected Life [h]
9HV0412P3K001	12	10.8 to 12.6	100	1.52	18.3	25,000	0.83 29.3	1,100 4.42	65	-20 to +60	40,000/60°C
			0	0.2	2.4	7,500	0.25 8.8	99 0.40	37		

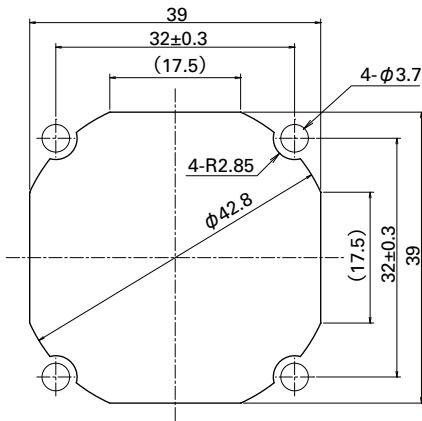
*PWM Frequency : 25kHz

Dimensions (unit: mm)



Reference Dimensions of Mounting Holes and Vent Opening (unit: mm)

Inlet side, Outlet side



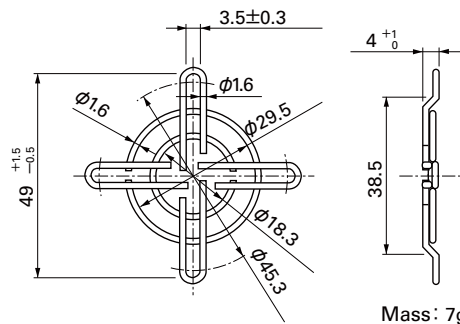
Options (unit: mm)

Finger Guards

Model : 109-059 Surface treatment : Nickel-chrome plating (silver)
: 109-059H : Cation electroplating (black)

Color

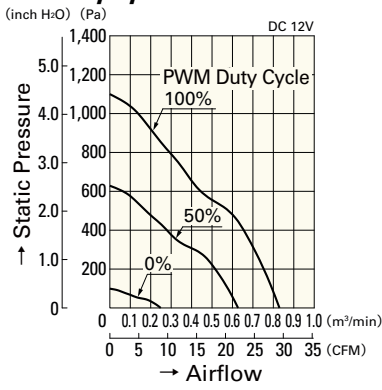
Inlet side, Outlet side



Mass: 7g

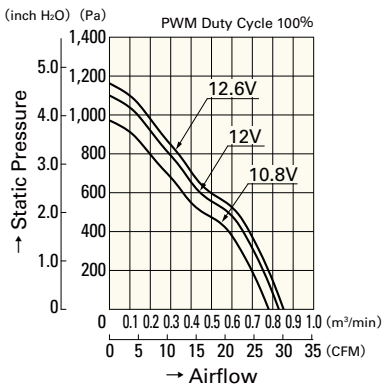
Airflow - Static Pressure Characteristics

PWM Duty Cycle



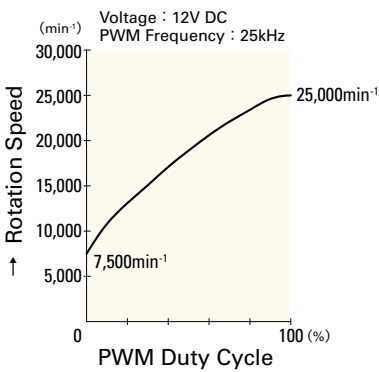
9HV0412P3K001

Operating Voltage Range



9HV0412P3K001

PWM Duty - Speed Characteristics Example



9HV0412P3K001

40 mm sq.

San Ace 40



General Specifications

- Material Frame: Plastics (Flammability: UL94V-0),
Impeller: Plastics (Flammability: UL94V-0)
- Expected Life Refer to specifications (L10: Survival rate: 90% at 60°C ,
rated voltage, and continuously run in a free air state)
- Lead Wire ⊕red ⊖black (Sensor) yellow (Control) brown
- Storage Temperature -30°C to +70°C (Non-condensing)

40×40×28mm (Mass: 53g) **9GAX** type **Low Power Consumption Fan**

Specifications

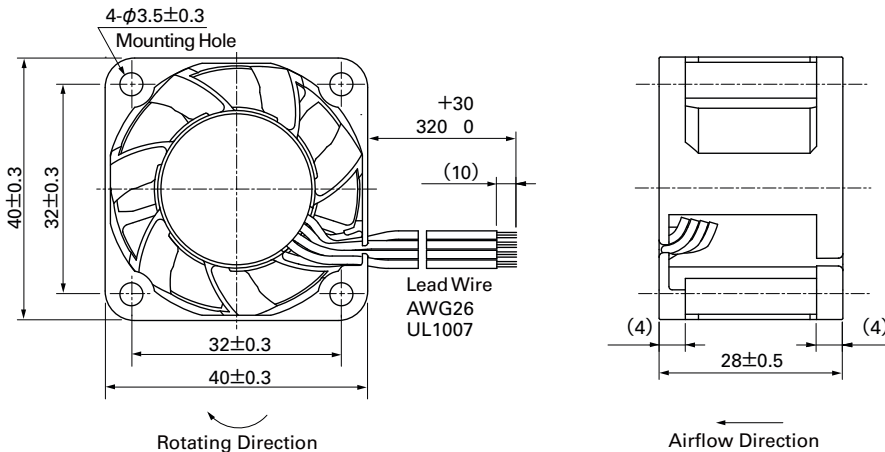
The following nos. **have PWM controls, pulse sensors, and ribs.** For ribless, append "1" to the model no.

Model No.	Rated Voltage [V]	Operating Voltage Range [V]	PWM duty cycle ^{Note①} [%]	Rated Current [A]	Rated Input [W]	Rated Speed [min ⁻¹]	Max. Airflow [m ³ /min] [CFM]	Max. Static Pressure [Pa] [inchH ₂ O]	SPL [dB(A)]	Operating Temperature [°C]	Expected Life [h]
9GAX0412P3S001	12	10.8 to 12.6	100	1.30	15.60	25,000	0.90 31.8	1,000 4.02	64	-20 to +60	30,000/60°C
			20	0.07	0.84	4,400	0.155 5.5	32 0.125	21.5		
9GAX0412P3S003			100	1.30	15.60	25,000	0.90 31.8	1,000 4.02	64		
			0	0.11	1.32	7,800	0.26 9.2	87 0.35	38		
9GAX0412P3K001		10.8 to 13.2	100	0.92	11.04	22,000	0.81 28.6	800 3.21	61		
			20	0.07	0.84	4,200	0.15 5.3	28 0.11	21		
9GAX0412P3K003	100		0.92	11.04	22,000	0.81 28.6	800 3.21	61			
	0		0.10	1.20	6,500	0.24 8.5	70 0.28	32			

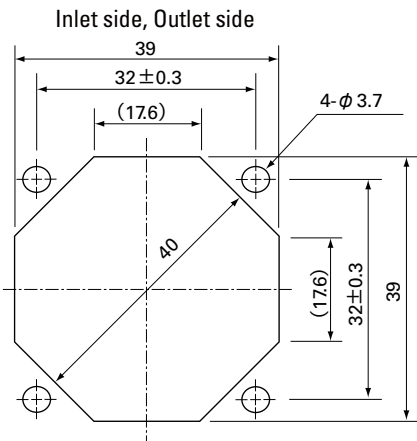
Note: 9GAX0412P3S001, 9GAX0412P3K001 does not rotate when PWM duty cycle is 0%.

※PWM Frequency: 25kHz

Dimensions (unit: mm) (With ribs)



Reference Dimensions of Mounting Holes and Vent Opening (unit: mm)



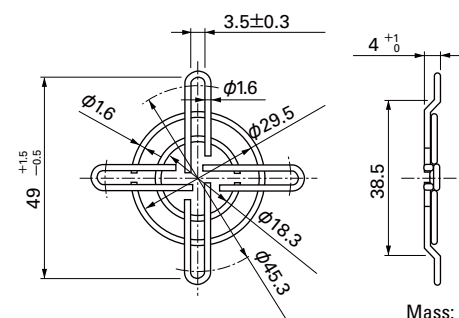
Options (unit: mm)

Finger Guards

Model : 109-059 Surface treatment : Nickel-chrome plating (silver)
: 109-059H : Cation electroplating (black)

Color

Inlet side, Outlet side



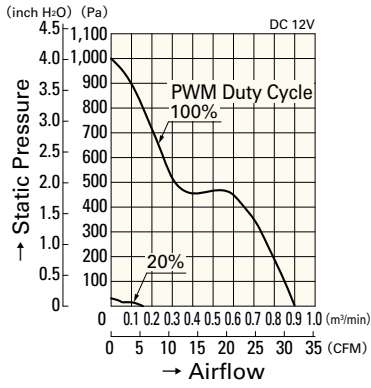
Mass: 7g

Airflow - Static Pressure Characteristics

PWM Duty - Speed Characteristics Example

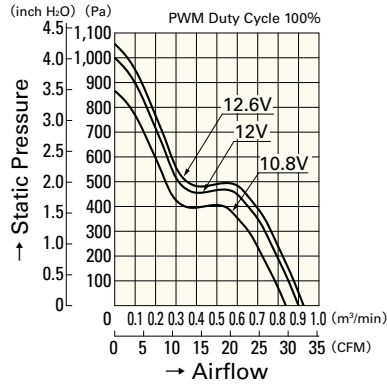
DC
DC Fan 40mm

PWM Duty Cycle

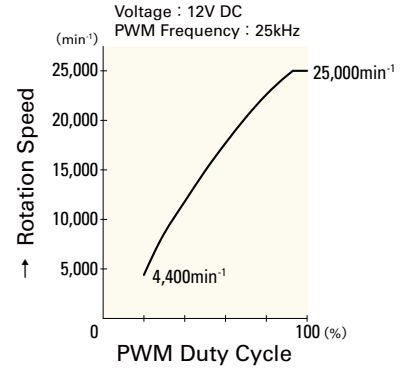


9GAX0412P3S001

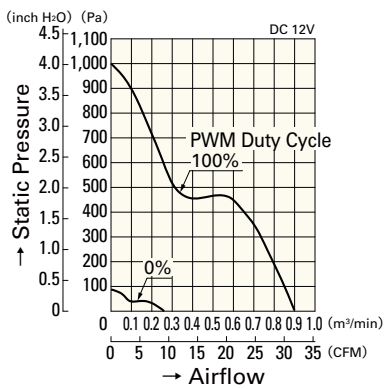
Operating Voltage Range



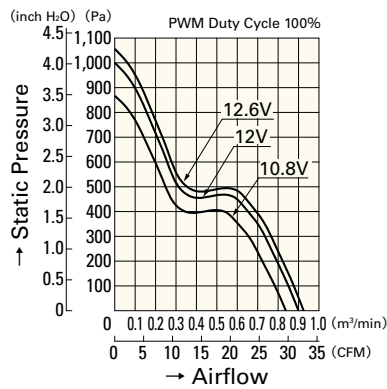
9GAX0412P3S001



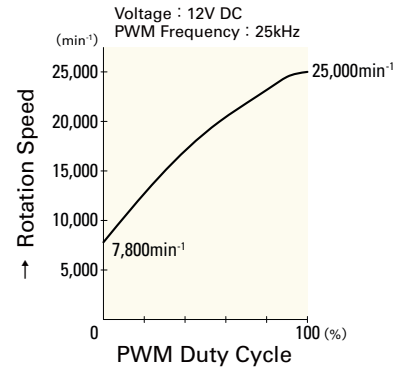
9GAX0412P3S001



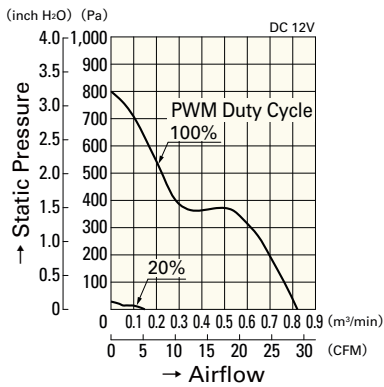
9GAX0412P3S003



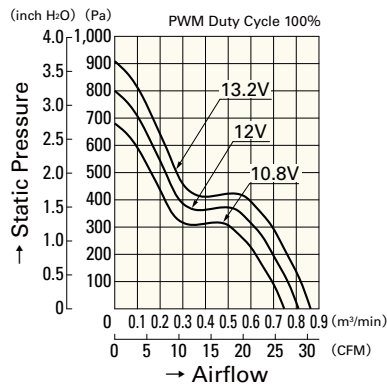
9GAX0412P3S003



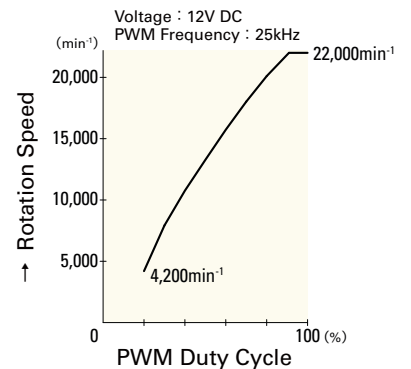
9GAX0412P3S003



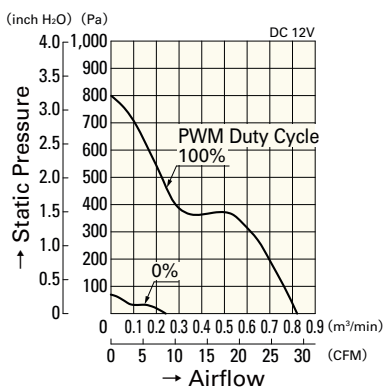
9GAX0412P3K001



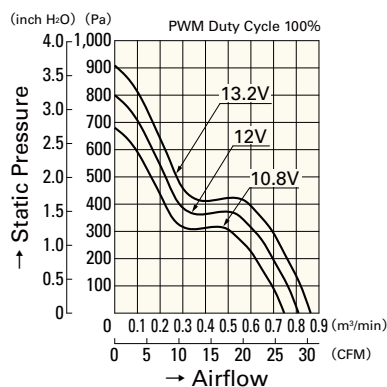
9GAX0412P3K001



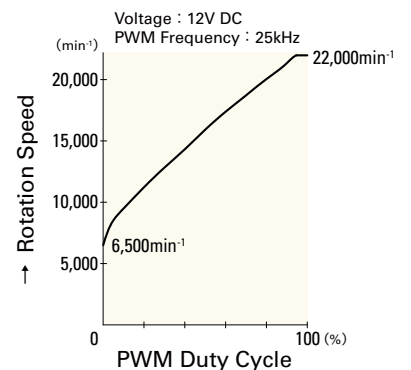
9GAX0412P3K001



9GAX0412P3K003



9GAX0412P3K003



9GAX0412P3K003

40mm sq.

San Ace 40



General Specifications

- Material Frame: Plastics (Flammability: UL94V-0),
Impeller: Plastics (Flammability: UL94V-0)
- Expected Life Refer to specifications (L10: Survival rate: 90% at 60°C ,
rated voltage, and continuously run in a free air state)
- Lead Wire ⊕red ⊖black (Sensor) yellow (Control) brown
- Storage Temperature -30°C to +70°C (Non-condensing)

40×40×28mm (Mass : 53g) **9GA type** **Low Power Consumption Fan**



Specifications

The following nos. **have PWM controls, pulse sensors, and ribs.** For ribless, append "1" to the model no.

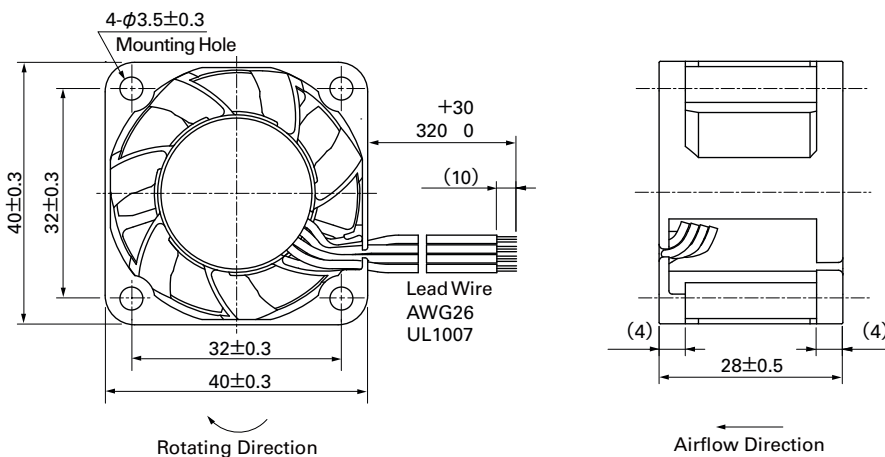
Model No.	Rated Voltage [V]	Operating Voltage Range [V]	PWM duty cycle* [%]	Rated Current [A]	Rated Input [W]	Rated Speed [min ⁻¹]	Max. Airflow [m ³ /min] [CFM]	Max. Static Pressure [Pa] [inchH ₂ O]	SPL [dB(A)]	Operating Temperature [°C]	Expected Life [h]				
9GA0412P3K01	12	10.8 to 13.2	100	0.92	11.04	22,000	0.81 28.6	799 3.21	61	-20 to +60	30,000/60°C				
			0	0.10	1.2	6,500	0.23 8.12	68 0.27	32						
9GA0412P3J01			100	0.49	5.88	18,000	0.67 23.7	535 2.15	54			-20 to +70	40,000/60°C		
			0	0.05	0.6	4,500	0.16 5.7	33 0.13	22						
9GA0412P3G01			100	0.39	4.68	16,500	0.61 21.5	450 1.81	53						
			0	0.05	0.6	4,500	0.16 5.7	33 0.13	22						
9GA0412P3H01			100	0.28	3.36	14,500	0.54 19.1	347 1.39	50						
			0	0.04	0.48	3,500	0.13 4.6	20 0.08	17						
9GA0412P3M01			100	0.21	2.52	12,500	0.46 16.2	258 1.04	47						
			0	0.04	0.48	3,500	0.13 4.6	20 0.08	17						
9GA0424P3J001 ^(Note)			24	21.6 to 26.4	100	0.27	6.48	18,000	0.67 23.7	535 2.15	54			-20 to +70	40,000/60°C
9GA0424P3G001 ^(Note)					100	0.22	5.28	16,500	0.61 21.5	450 1.81	53				
9GA0424P3H001 ^(Note)	100	0.16			3.84	14,500	0.54 19.1	347 1.39	50						
9GA0424P3M001 ^(Note)	100	0.11			2.64	12,500	0.46 16.2	258 1.04	47						
	100	0.11			2.64	12,500	0.46 16.2	258 1.04	47						

Note: Rated voltage 24V fans do not rotate when PWM duty cycle is 0% .

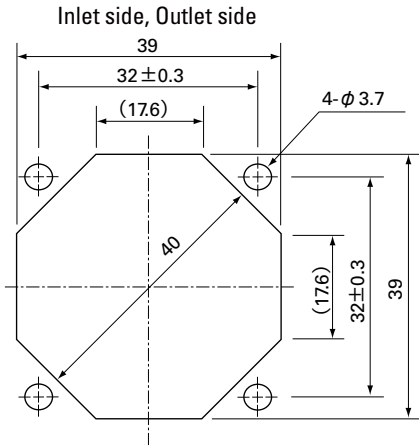
※PWM Frequency : 25kHz

Other sensor specifications are available as options. Please refer to the index (p. 504).

Dimensions (unit: mm) (With ribs)



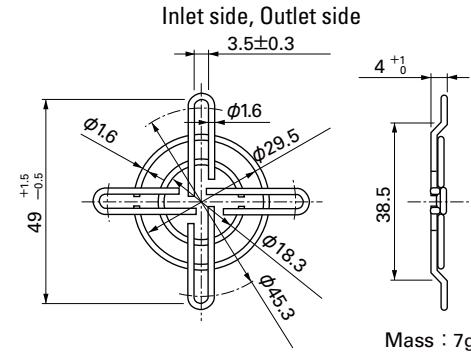
Reference Dimensions of Mounting Holes and Vent Opening (unit: mm)



Options (unit: mm)

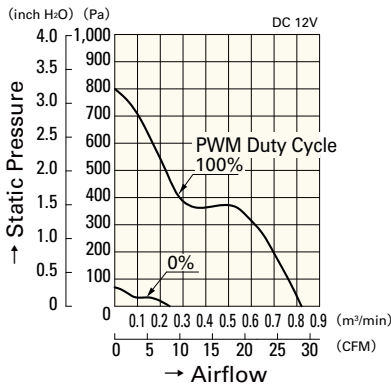
Finger Guards

Model : 109-059 Surface treatment : Nickel-chrome plating (silver)
: 109-059H : Cation electropainting (black)

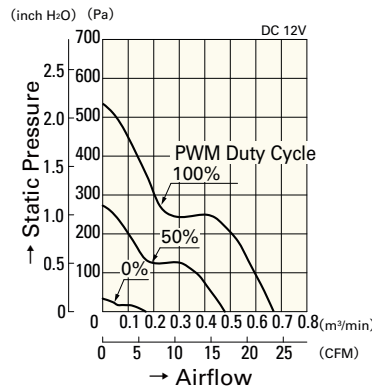


Airflow - Static Pressure Characteristics

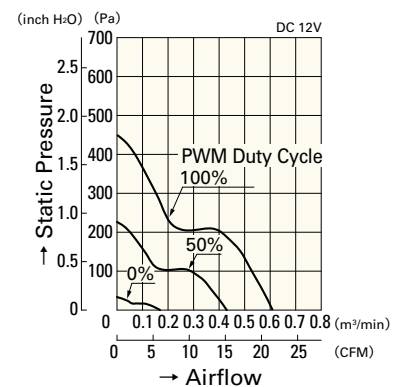
PWM Duty Cycle



9GA0412P3K01

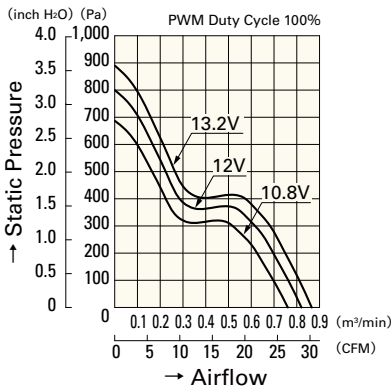


9GA0412P3J01

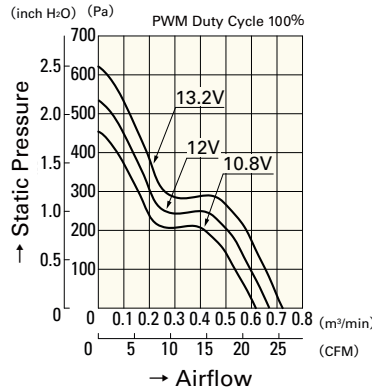


9GA0412P3G01

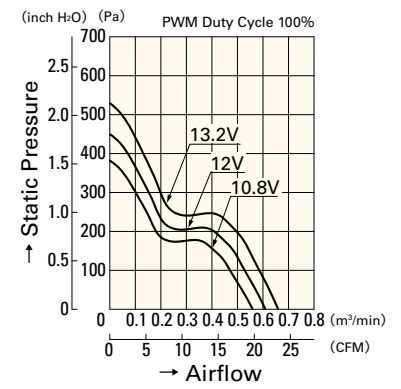
Operating Voltage Range



9GA0412P3K01

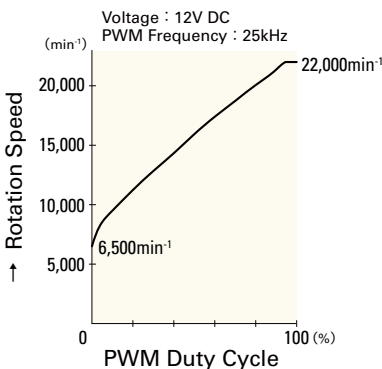


9GA0412P3J01

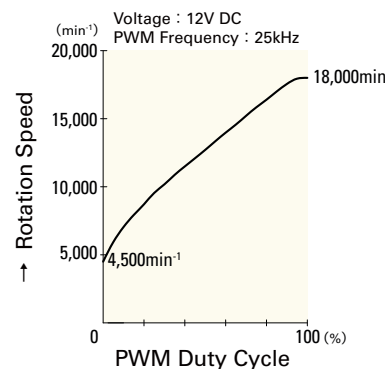


9GA0412P3G01

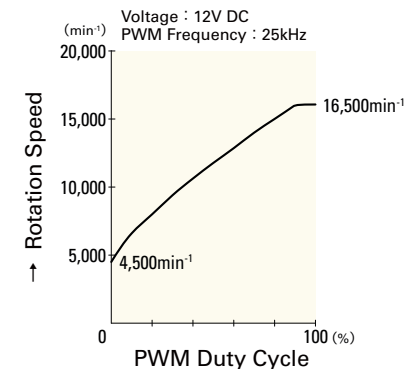
PWM Duty - Speed Characteristics Example



9GA0412P3K01



9GA0412P3J01



9GA0412P3G01

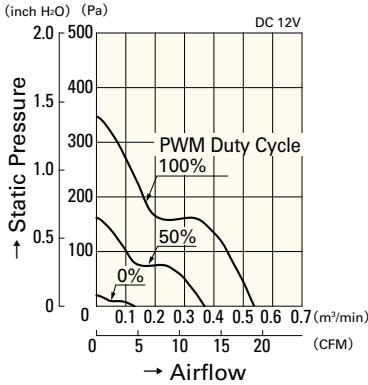
40mm sq.

San Ace 40

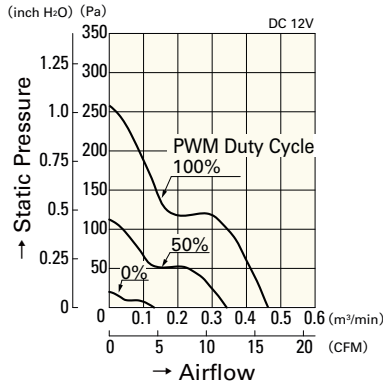
40×40×28mm [Mass : 53g]

Airflow - Static Pressure Characteristics

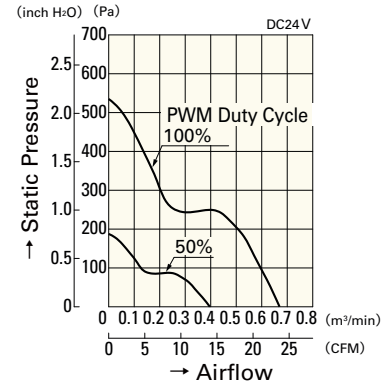
PWM Duty Cycle



9GA0412P3H01

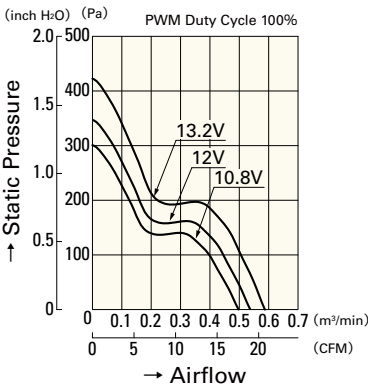


9GA0412P3M01

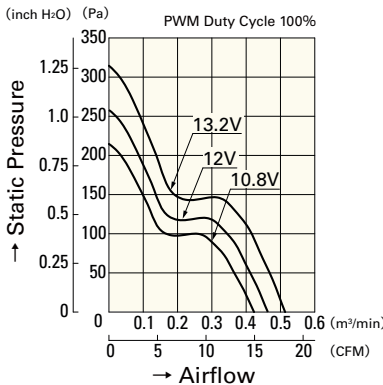


9GA0424P3J001

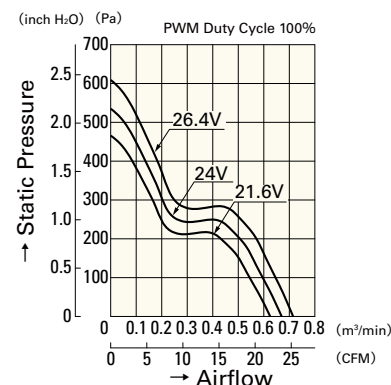
Operating Voltage Range



9GA0412P3H01

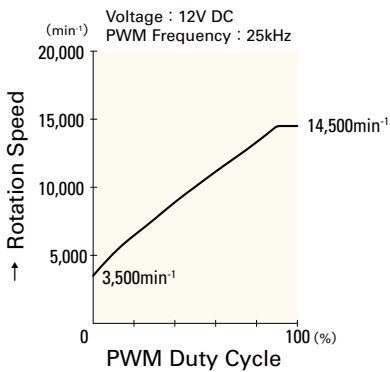


9GA0412P3M01

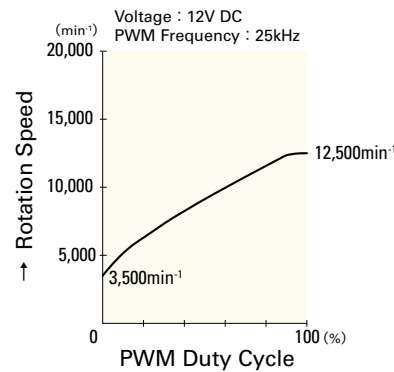


9GA0424P3J001

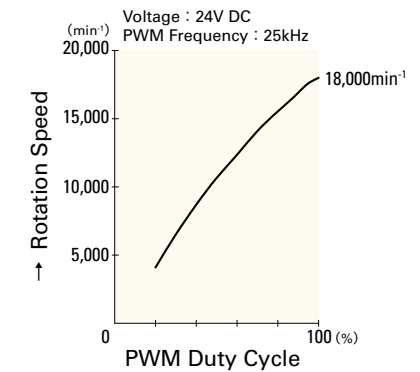
PWM Duty - Speed Characteristics Example



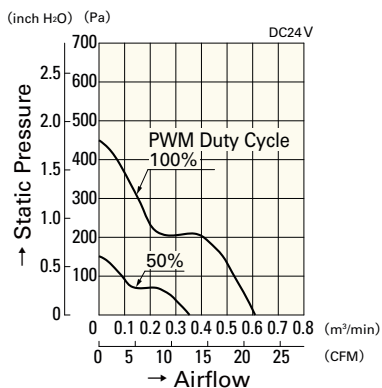
9GA0412P3H01



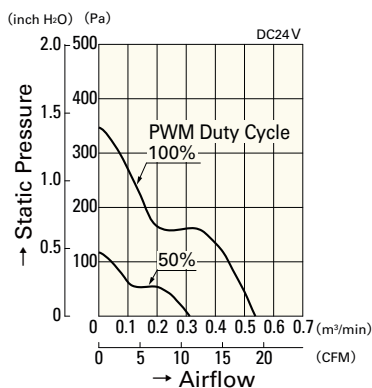
9GA0412P3M01



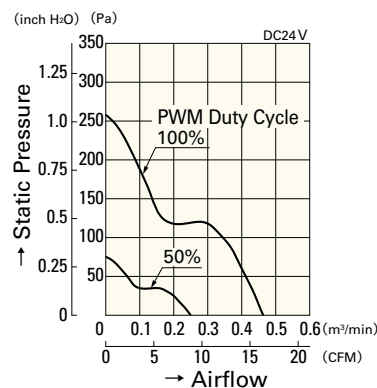
9GA0424P3J001



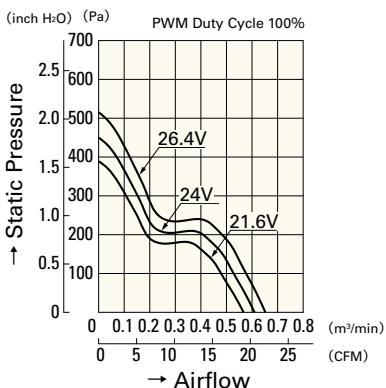
9GA0424P3G001



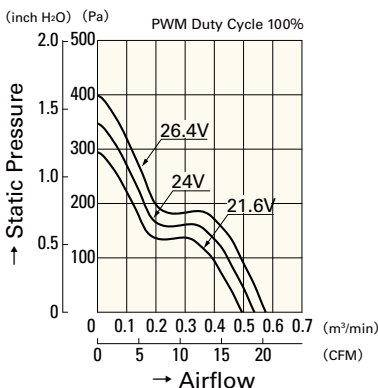
9GA0424P3H001



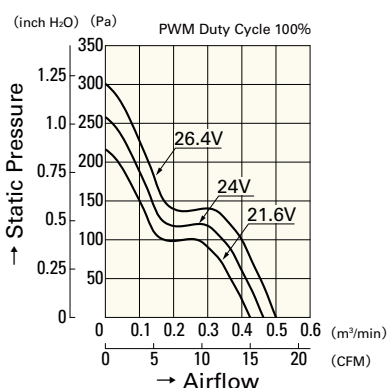
9GA0424P3M001



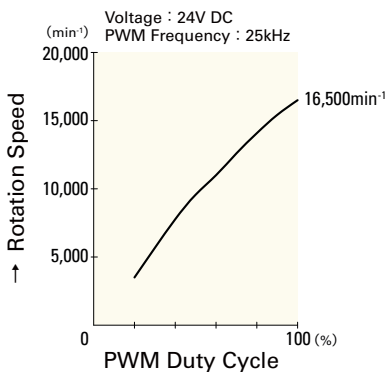
9GA0424P3G001



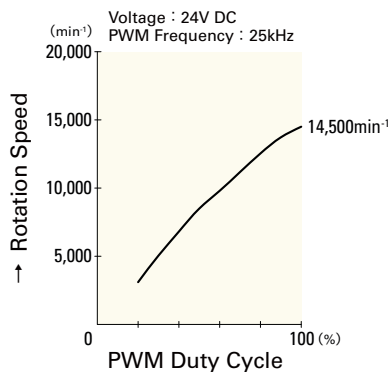
9GA0424P3H001



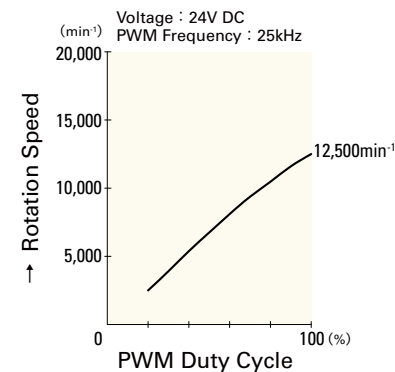
9GA0424P3M001



9GA0424P3G001



9GA0424P3H001



9GA0424P3M001

40mm sq.

San Ace 40



General Specifications

- Material Frame: Aluminum, Impeller: Plastics (Flammability: UL94V-0)
- Expected Life Refer to specifications (L10:Survival rate:90% at 60°C ,
rated voltage, and continuously run in a free air state)
- Lead Wire ⊕red ⊖black (Sensor) yellow (Control) brown
- Storage Temperature -30°C to +70°C (Non-condensing)

40×40×28mm (Mass : 55g) **9GE type** **Low vibration**

Specifications

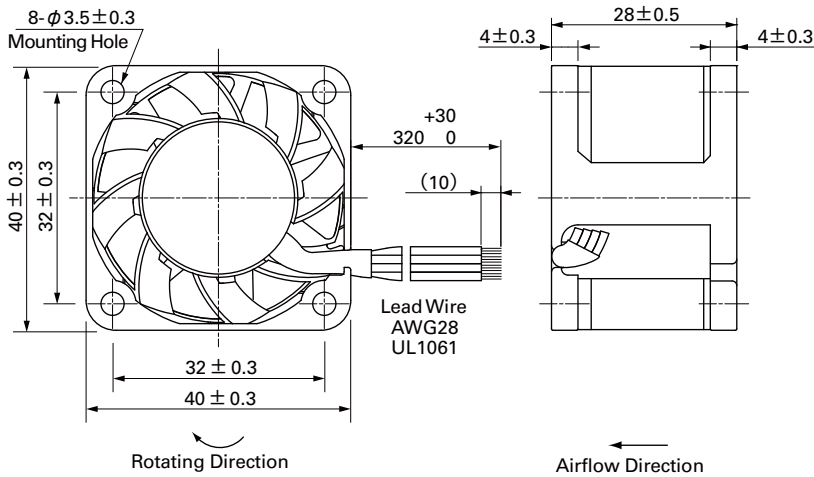
The following nos. have PWM controls and pulse sensors.

Model No.	Rated Voltage [V]	Operating Voltage Range [V]	PWM duty cycle* [%]	Rated Current [A]	Rated Input [W]	Rated Speed [min ⁻¹]	Max. Airflow [m ³ /min] [CFM]	Max. Static Pressure [Pa] [inchH ₂ O]	SPL [dB(A)]	Operating Temperature [°C]	Expected Life [h]
9GE0412P3K03	12	10.8 to 13.2	100	0.84	10.08	16,500	0.76 26.8	415 1.666	58	-20 to +60	40,000/60°C
			0	0.07	0.84	3,000	0.13 4.6	13 0.052	17		
9GE0412P3J03			100	0.65	7.8	15,000	0.69 24.4	343.0 1.378	56		
			0	0.05	0.6	2,650	0.12 4.2	10.7 0.042	14		
9GE0412P3G03			100	0.47	5.64	13,000	0.60 21.2	260 1.044	52		
			0	0.05	0.6	2,400	0.11 3.9	8.2 0.033	13		

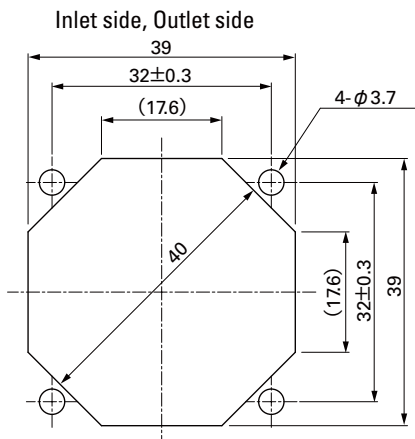
*PWM Frequency : 25kHz

Other sensor specifications are available as options. Please refer to the index (p. 506).

Dimensions (unit: mm)



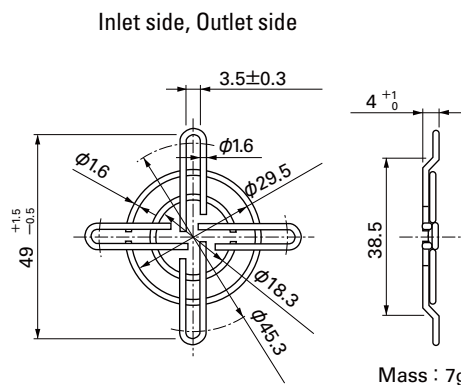
Reference Dimensions of Mounting Holes and Vent Opening (unit: mm)



Options (unit: mm)

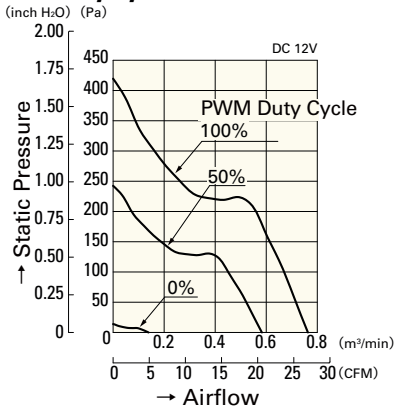
Finger Guards

Model : 109-059 Surface treatment : Nickel-chrome plating (silver)
: 109-059H : Cation electropainting (black)

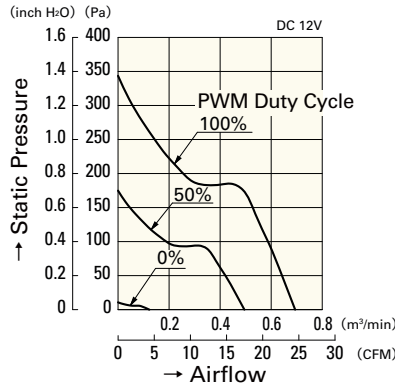


Airflow - Static Pressure Characteristics

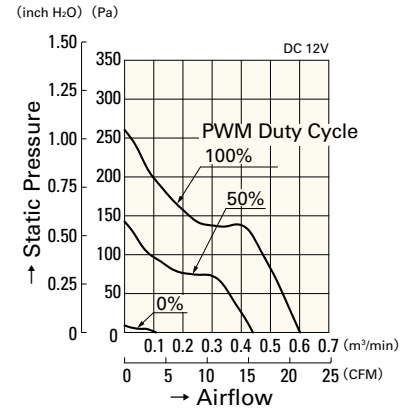
PWM Duty Cycle



9GE0412P3K03

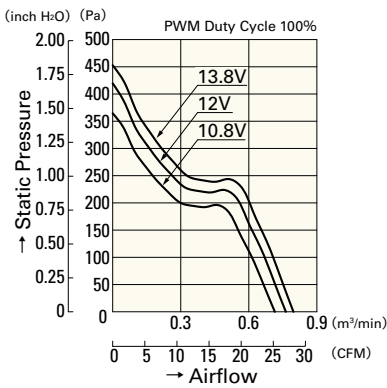


9GE0412P3J03

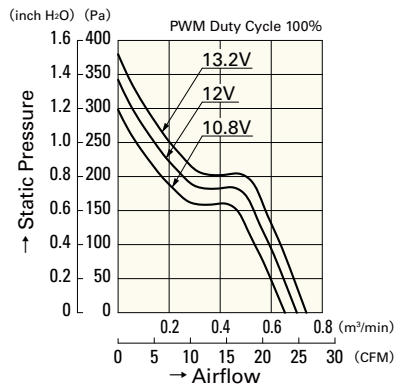


9GE0412P3G03

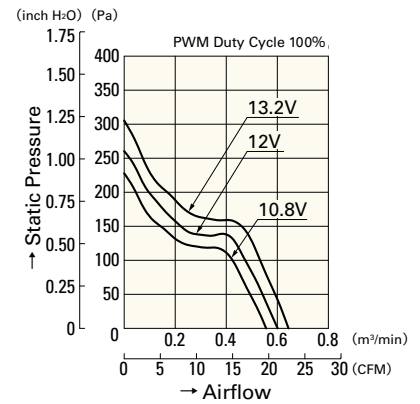
Operating Voltage Range



9GE0412P3K03

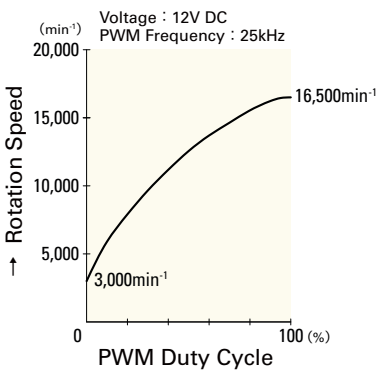


9GE0412P3J03

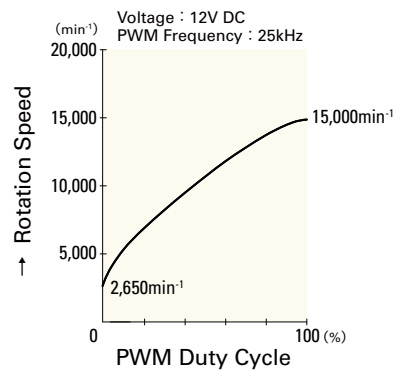


9GE0412P3G03

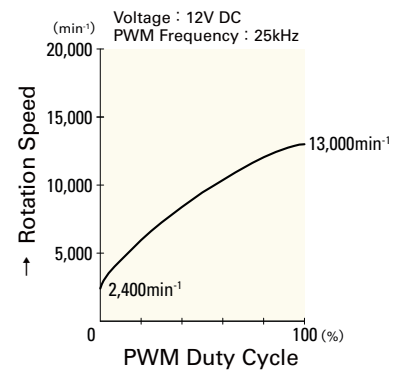
PWM Duty - Speed Characteristics Example



9GE0412P3K03



9GE0412P3J03



9GE0412P3G03

40 mm sq.

San Ace 40



General Specifications

- Material Frame: Plastics (Flammability: UL94V-0),
Impeller: Plastics (Flammability: UL94V-0)
- Expected Life Refer to specifications (L10:Survival rate:90% at 60°C ,
rated voltage, and continuously run in a free air state)
- Lead Wire ⊕red ⊖black or blue (Sensor) yellow
- Storage Temperature -20°C to +70°C (Non-condensing)

40×40×28mm (Mass : 50g) **9GV type**

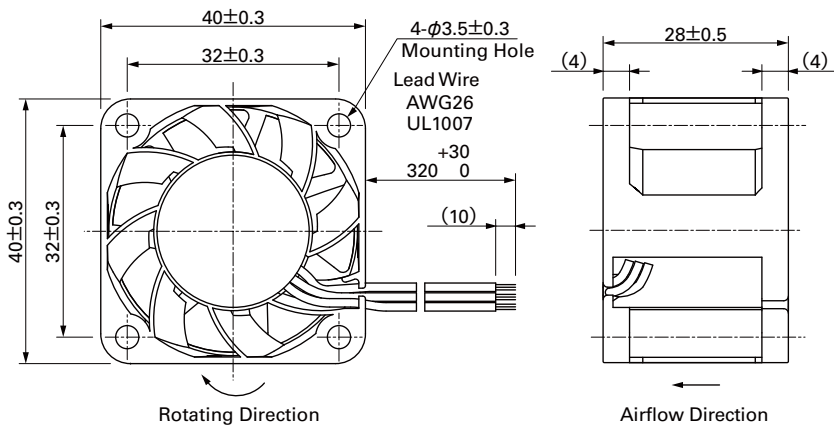
Specifications

The following nos. **have pulse sensors and ribs**. For ribless, append "1" to the model no.

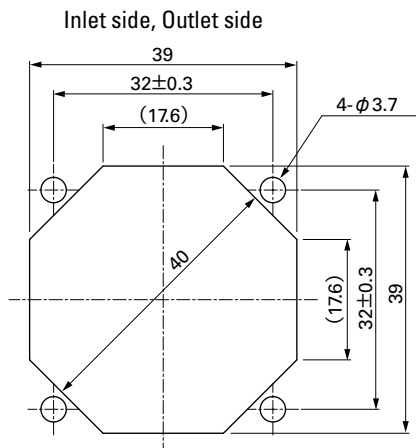
Model No.	Rated Voltage [V]	Operating Voltage Range [V]	Rated Current [A]	Rated Input [W]	Rated Speed [min ⁻¹]	Max. Airflow [m ³ /min] [CFM]	Max. Static Pressure [Pa] [inchH ₂ O]	SPL [dB(A)]	Operating Temperature [°C]	Expected Life [h]	
9GV0412K301	12	10.8 to 12.6	0.84	10.08	16,500	0.76	26.8	415	1.668	58	40,000/60°C
9GV0412J301			0.60	7.20	14,700	0.68	24.0	330	1.325	55	
9GV0412G301		7 to 13.2	0.47	5.64	13,000	0.60	21.1	260	1.044	52	
9GV0412H301			0.31	3.72	11,600	0.53	18.7	207	0.831	49	
9GV0412C301			0.15	1.80	8,300	0.37	13.1	100	0.402	41	

Other sensor specifications are available as options. Please refer to the index (p. 507).

Dimensions (unit: mm) (With ribs)



Reference Dimensions of Mounting Holes and Vent Opening (unit: mm)



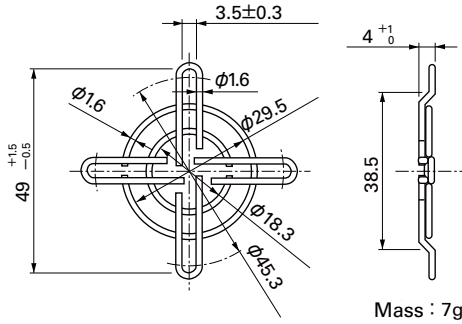
Options (unit: mm)

Finger Guards

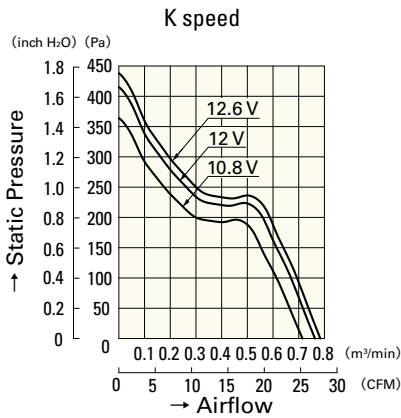
Model : 109-059 Surface treatment : Nickel-chrome plating (silver)
 : 109-059H : Cation electropainting (black)

Color

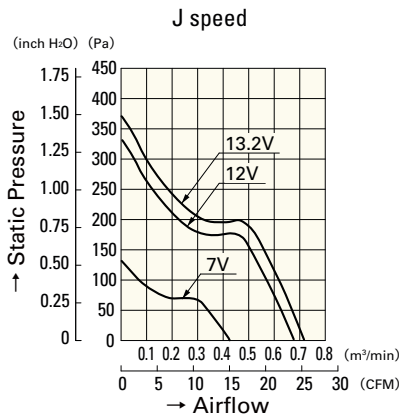
Inlet side, Outlet side



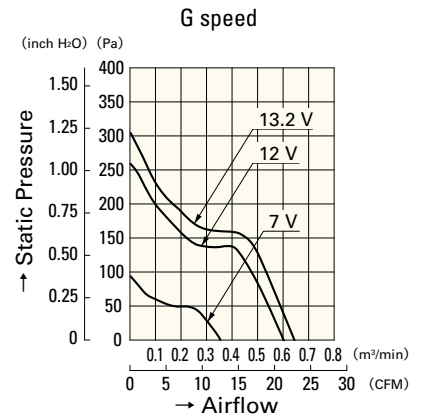
Airflow - Static Pressure Characteristics



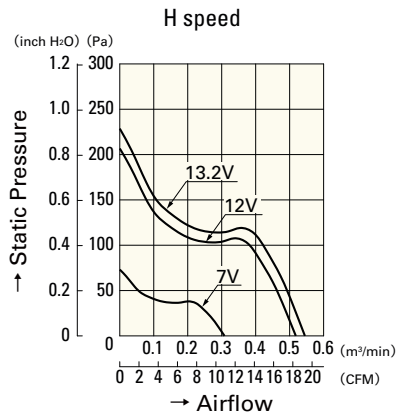
9GV0412K301



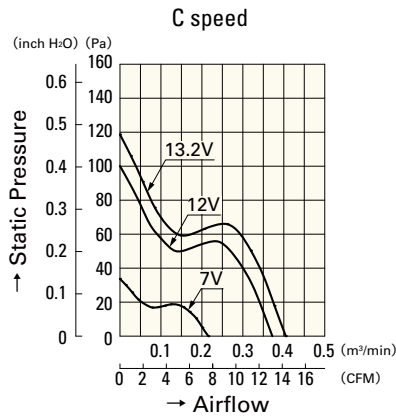
9GV0412J301



9GV0412G301



9GV0412H301



9GV0412C301

40 mm sq.

San Ace 40



Model no. 109P0424R3013 is not certified.

General Specifications

- Material Frame: Plastics (Flammability: UL94V-0),
Impeller: Plastics (Flammability: UL94V-1)
- Expected Life Refer to specifications (L10:Survival rate:90% at 60°C ,
rated voltage, and continuously run in a free air state)
- Lead Wire ⊕red ⊖black or blue (Sensor) yellow
- Storage Temperature -30°C to +70°C (Non-condensing)

40×40×28mm (Mass : 52g) **9P type**

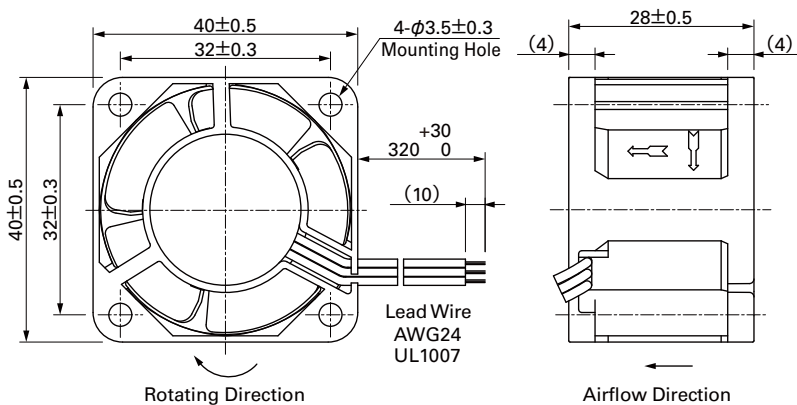
Specifications

The following nos. have pulse sensors and ribs.

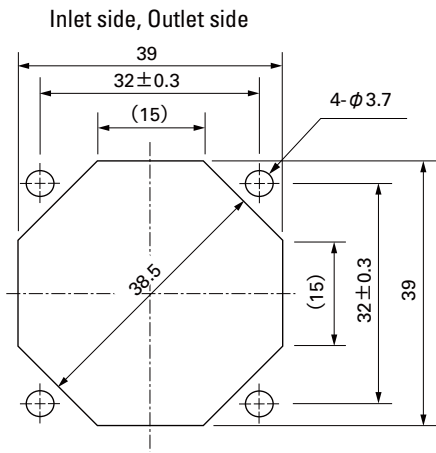
Model No.	Rated Voltage [V]	Operating Voltage Range [V]	Rated Current [A]	Rated Input [W]	Rated Speed [min ⁻¹]	Max. Airflow [m ³ /min] [CFM]	Max. Static Pressure [Pa] [inchH ₂ O]	SPL [dB(A)]	Operating Temperature [°C]	Expected Life [h]
109P0405H3013	5	4.5 to 5.5	0.68	3.4	8,700	0.32 11.3	102.9 0.414	37	-20 to +70	40,000/60°C
109P0405F3013			0.28	1.4	6,700	0.244 8.6	58.8 0.236	30		60,000/60°C
109P0412K3013	12	8 to 13.2	0.55	6.6	15,500	0.59 20.8	340 1.365	50	-20 to +60	40,000/60°C
109P0412J3013			0.35	4.2	12,500	0.46 16.2	210 0.843	44		
109P0412G3013		7 to 13.2	0.31	3.72	11,500	0.42 14.8	179 0.719	42	-20 to +70	60,000/60°C
109P0412B3013			0.28	3.36	10,300	0.38 13.4	143 0.574	40		
109P0412H3013		7 to 13.8	0.195	2.34	8,700	0.32 11.3	102.9 0.414	37	-20 to +70	60,000/60°C
109P0412F3013			0.105	1.26	6,700	0.244 8.6	58.8 0.236	30		
109P0412M3013		10.2 to 13.8	0.045	0.54	4,100	0.15 5.3	21.6 0.087	20		
109P0424R3013		24	12 to 26.4	0.25	6	14,000	0.51 18.0	263.4 1.057	47	-20 to +60
109P0424J3013	0.18			4.32	12,500	0.46 16.2	210 0.843	44		
109P0424G3013	0.19			4.56	11,500	0.42 14.8	179 0.719	42		
109P0424B3013	12 to 27.6		0.13	3.12	10,300	0.38 13.4	143 0.574	40	-20 to +70	60,000/60°C
109P0424H3013			0.095	2.28	8,700	0.32 11.3	102.9 0.414	37		
109P0424F3013			14 to 27.6	0.055	1.32	6,700	0.244 8.6	58.8 0.236		

Other sensor specifications are available as options. Please refer to the index (pp. 496 to 497).

Dimensions (unit: mm)



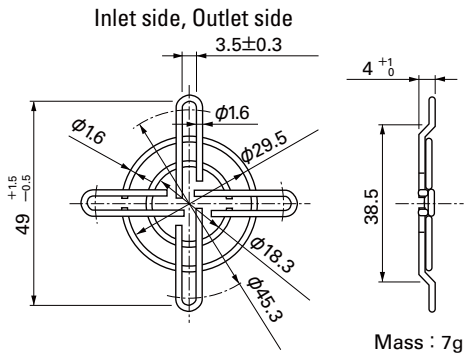
Reference Dimensions of Mounting Holes and Vent Opening (unit: mm)



Options (unit: mm)

Finger Guards

Model : 109-059 Surface treatment : Nickel-chrome plating (silver) Color
: 109-059H : Cation electropainting (black)

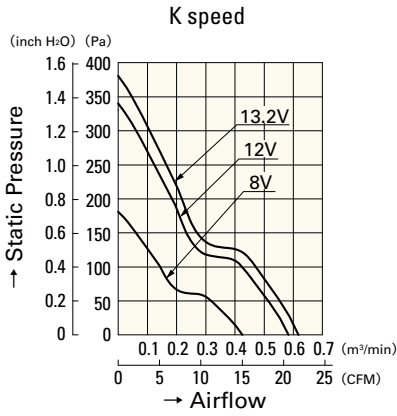


40mm sq.

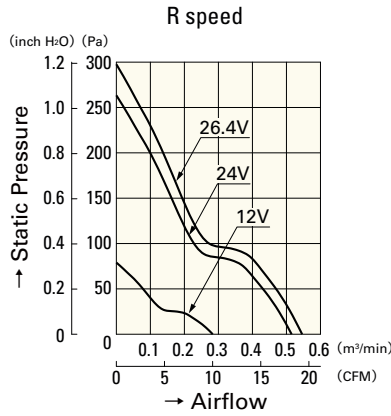
San Ace 40

40×40×28mm [Mass : 52g]

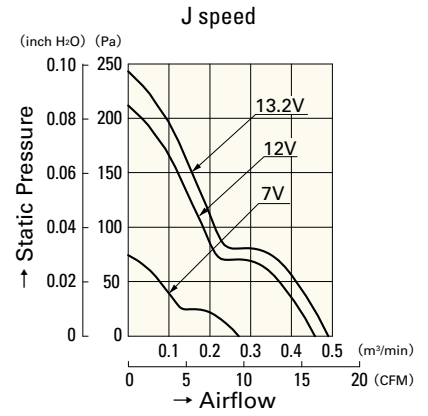
Airflow - Static Pressure Characteristics



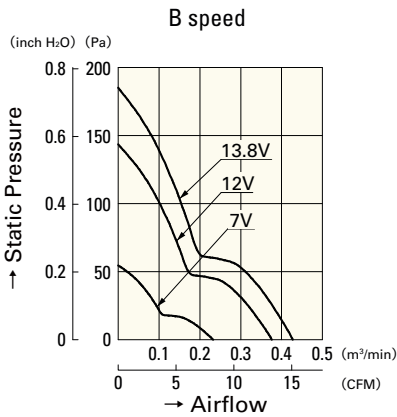
109P0412K3013



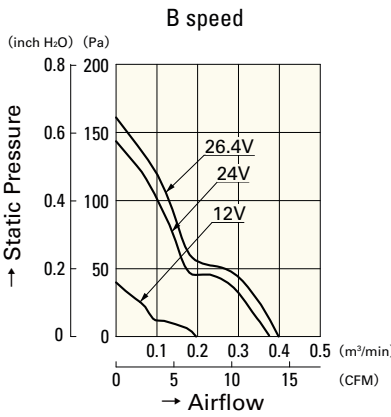
109P0424R3013



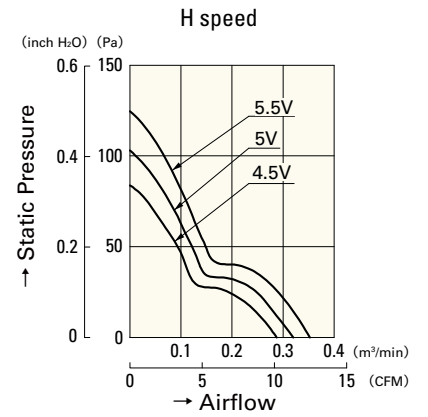
109P0412J3013



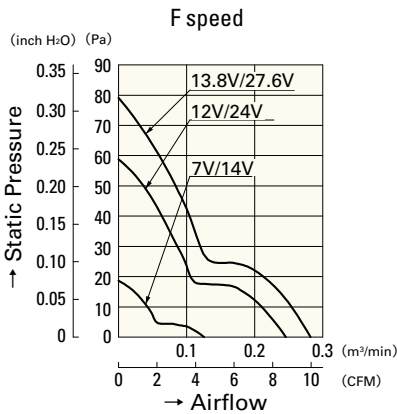
109P0412B3013



109P0424B3013

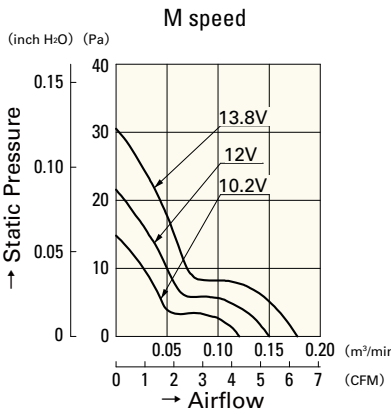


109P0405H3013

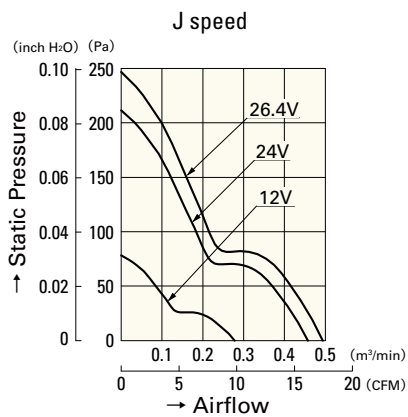


109P0412F3013

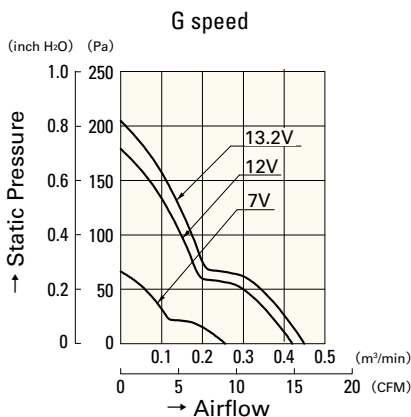
109P0424F3013



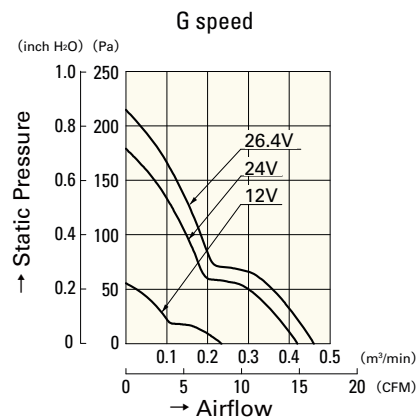
109P0412M3013



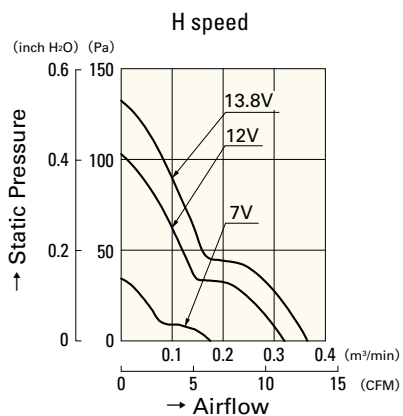
109P0424J3013



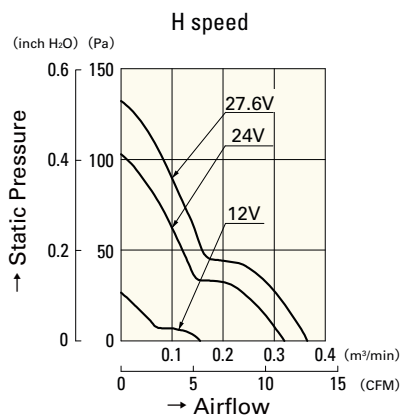
109P0412G3013



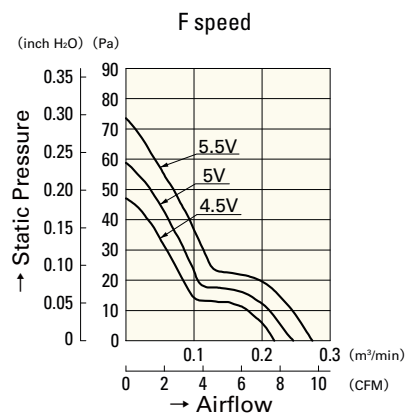
109P0424G3013



109P0412H3013



109P0424H3013



109P0405F3013

52mm sq.

San Ace 52



General Specifications

- Material Frame: Plastics (Flammability: UL94V-0),
Impeller: Plastics (Flammability: UL94V-0)
- Expected Life Refer to specifications (L10: Survival rate: 90% at 60°C ,
rated voltage, and continuously run in a free air state)
- Lead Wire ⊕red ⊖black (Sensor) yellow (Control) brown
- Storage Temperature -30°C to +70°C (Non-condensing)

52×52×15mm (Mass : 40g) **9GA**type **Low Power Consumption Fan**



Specifications

The following nos. have PWM controls, pulse sensors, and ribs.

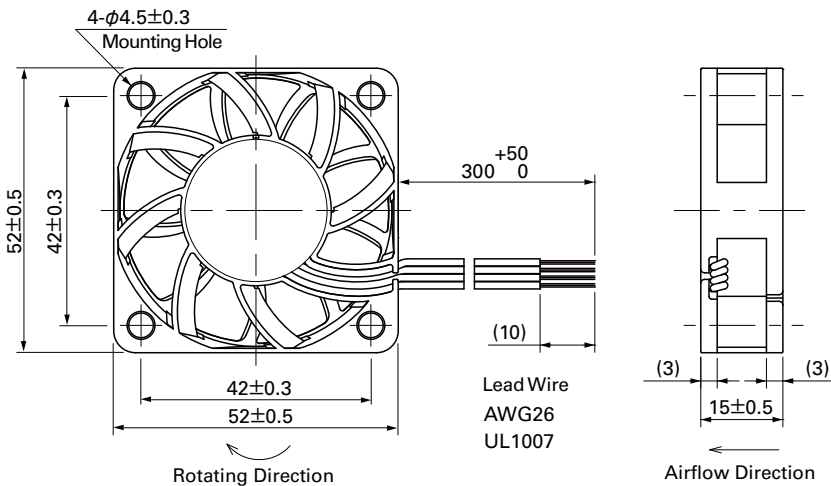
Model No.	Rated Voltage [V]	Operating Voltage Range [V]	PWM duty cycle ^{Note①} [%]	Rated Current [A]	Rated Input [W]	Rated Speed [min ⁻¹]	Max. Airflow [m ³ /min] [CFM]	Max. Static Pressure [Pa] [inchH ₂ O]	SPL [dB(A)]	Operating Temperature [°C]	Expected Life [h]
9GA0512P7G001	12	10.2 to 13.8	100	0.13	1.56	7,800	0.50 17.7	91.5 0.367	38	-20 to +70	40,000/60°C
9GA0512P7A001				0.08	0.96	6,300	0.40 14.1	59 0.237	32		
9GA0512P7H001				0.05	0.60	4,300	0.275 9.7	27.5 0.110	22		
9GA0512P7M001				0.04	0.48	3,400	0.215 7.6	17 0.068	16		
9GA0524P7G001	24	20.4 to 27.6	100	0.07	1.68	7,800	0.50 17.7	91.5 0.367	38		
9GA0524P7A001				0.05	1.20	6,300	0.40 14.1	59.0 0.237	32		
9GA0524P7H001				0.03	0.72	4,300	0.275 9.7	27.5 0.110	22		
9GA0524P7M001				0.02	0.48	3,400	0.215 7.6	17.0 0.068	16		

Note : Fan does not rotate when PWM duty cycle is 0%.

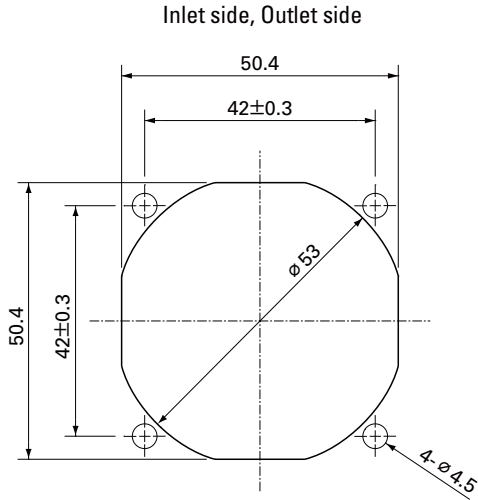
※PWM Frequency : 25kHz

Other sensor specifications are available as options. Please refer to the index (p. 504).

Dimensions (unit: mm)



Reference Dimensions of Mounting Holes and Vent Opening (unit: mm)

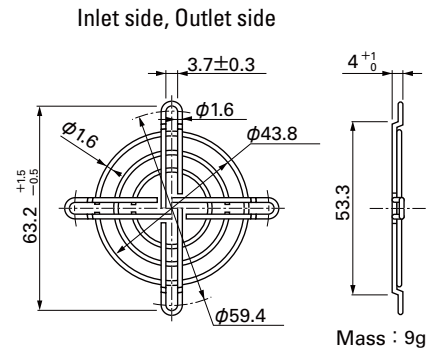
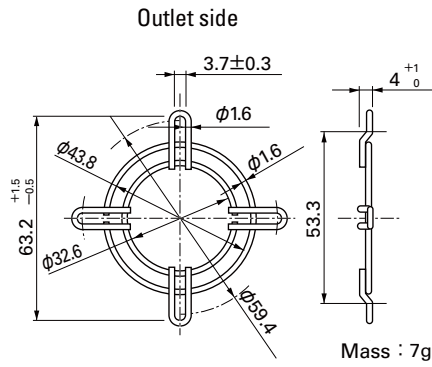


Options (unit: mm)

Finger Guards

Model : 109-149 Color : Nickel-chrome plating (silver)

Model : 109-149E Color : Nickel-chrome plating (silver)



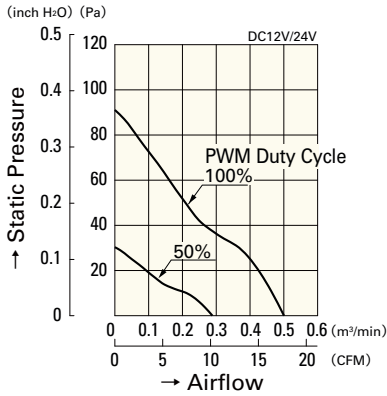
52mm sq.

San Ace 52

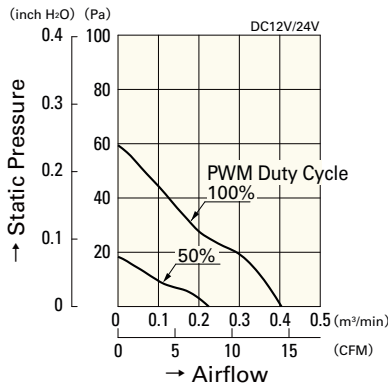
52×52×15mm [Mass : 40g]

Airflow - Static Pressure Characteristics

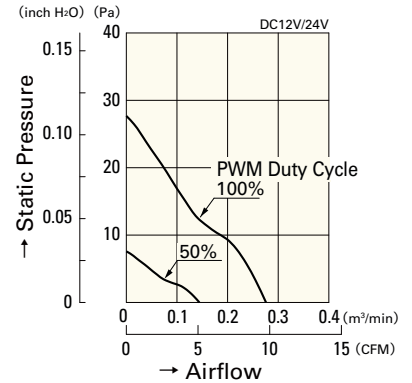
PWM Duty Cycle



9GA0512P7G001
9GA0524P7G001

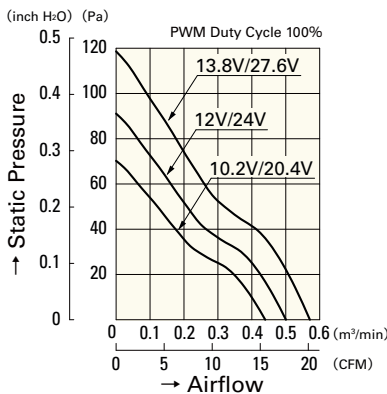


9GA0512P7A001
9GA0524P7A001

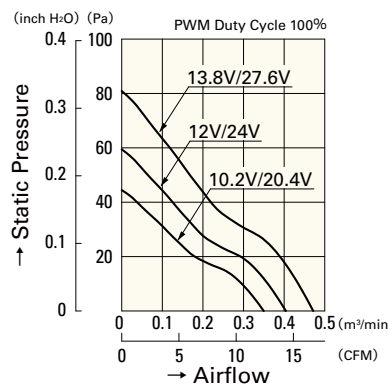


9GA0512P7H001
9GA0524P7H001

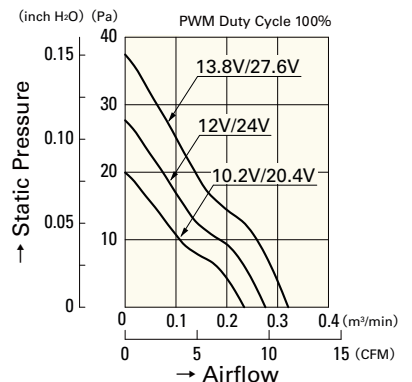
Operating Voltage Range



9GA0512P7G001
9GA0524P7G001

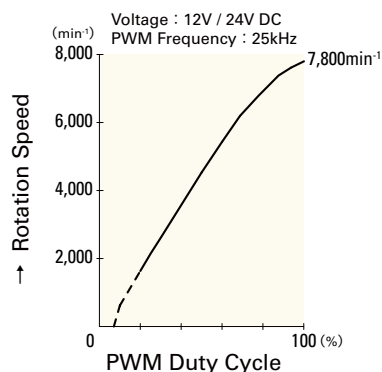


9GA0512P7A001
9GA0524P7A001

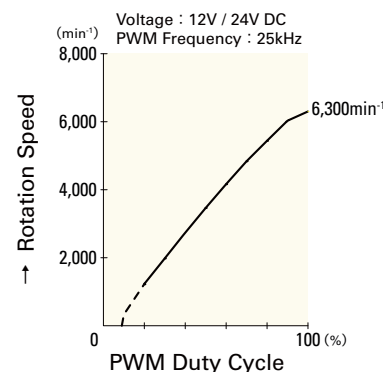


9GA0512P7H001
9GA0524P7H001

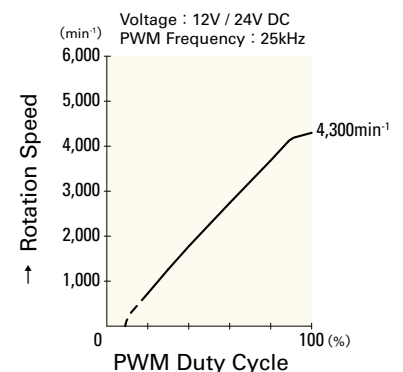
PWM Duty - Speed Characteristics Example



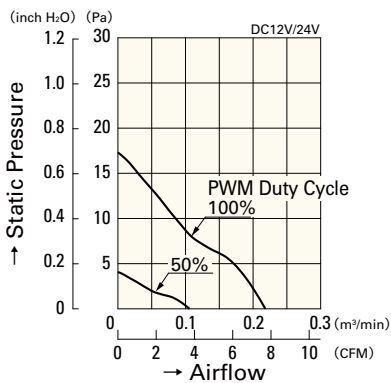
9GA0512P7G001
9GA0524P7G001



9GA0512P7A001
9GA0524P7A001

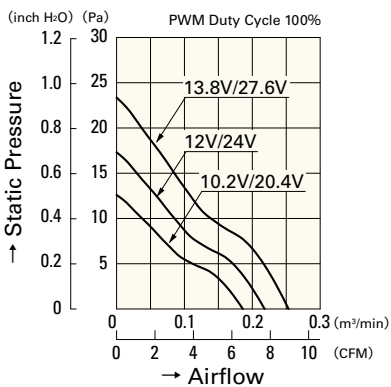


9GA0512P7H001
9GA0524P7H001



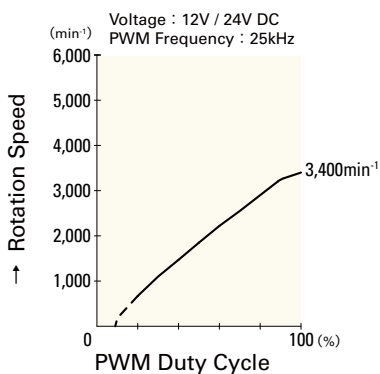
9GA0512P7M001

9GA0524P7M001



9GA0512P7M001

9GA0524P7M001



9GA0512P7M001

9GA0524P7M001

52mm sq.

San Ace 52



General Specifications

- Material Frame: Plastics (Flammability: UL94V-0),
Impeller: Plastics (Flammability: UL94V-1)
- Expected Life Refer to specifications (L10:Survival rate:90% at 60°C ,
rated voltage, and continuously run in a free air state)
- Lead Wire ⊕red ⊖black or blue (Sensor) yellow
- Storage Temperature -30°C to +70°C (Non-condensing)

52×52×15mm (Mass : 55g) **9P** type

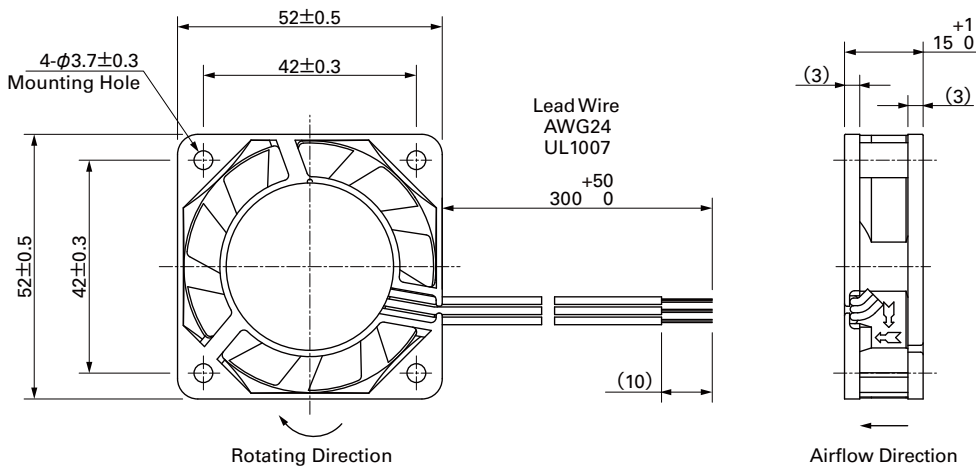
Specifications

The following nos. have pulse sensors and ribs.

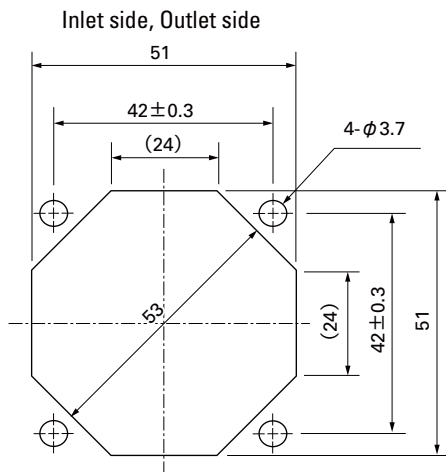
Model No.	Rated Voltage [V]	Operating Voltage Range [V]	Rated Current [A]	Rated Input [W]	Rated Speed [min ⁻¹]	Max. Airflow [m ³ /min] [CFM]	Max. Static Pressure [Pa] [inchH ₂ O]	SPL [dB(A)]	Operating Temperature [°C]	Expected Life [h]
109P0505M701	5	4.5 to 5.5	0.15	0.75	3,700	0.205 7.24	21.4 0.086	22	-20 to +70	60,000/60°C
109P0512A701	12	10.2 to 13.8	0.21	2.52	6,800	0.375 13.25	69.7 0.280	36		40,000/60°C
109P0512H701		7 to 13.8	0.10	1.20	4,600	0.255 9.00	31.9 0.128	27		60,000/60°C
109P0512M701			0.07	0.84	3,700	0.205 7.24	21.4 0.086	22		
109P0524A701	24	14 to 27.6	0.11	2.64	6,800	0.375 13.24	69.7 0.280	36	-20 to +60	40,000/60°C
109P0524H701			0.05	1.20	4,600	0.255 9.00	31.9 0.128	27	-20 to +70	60,000/60°C
109P0524M701			0.04	0.96	3,700	0.205 7.24	21.4 0.086	22		

Other sensor specifications are available as options. Please refer to the index (p. 497).

Dimensions (unit: mm)



Reference Dimensions of Mounting Holes and Vent Opening (unit: mm)

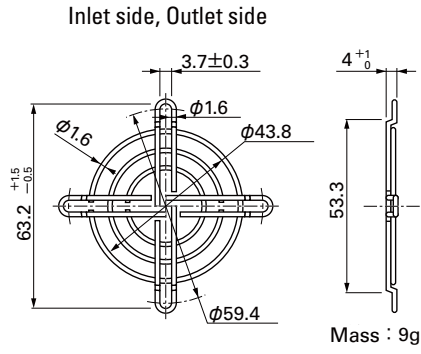
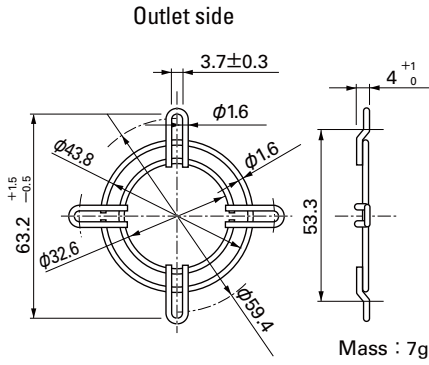


Options (unit: mm)

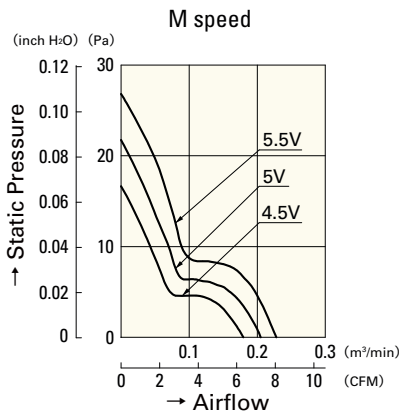
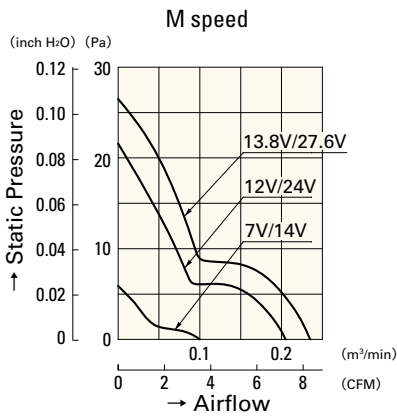
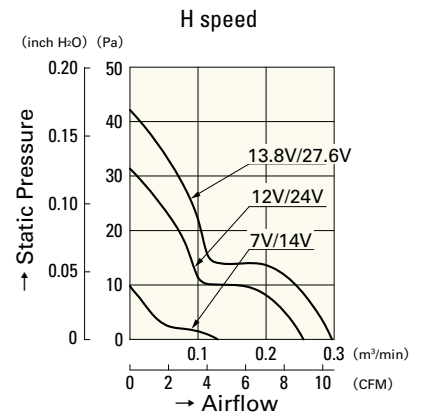
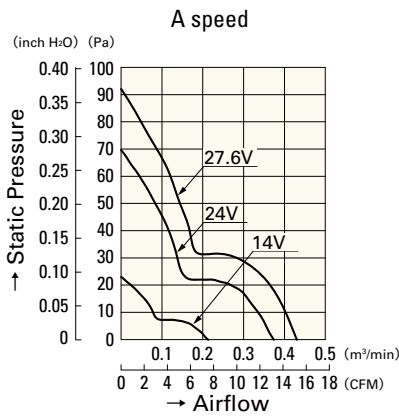
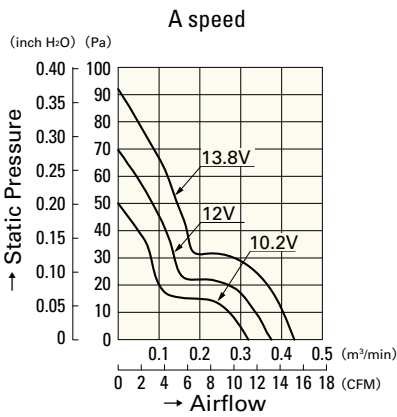
Finger Guards

Model : 109-149 Surface treatment : Nickel-chrome plating (silver) Color (silver)

Model : 109-149E Surface treatment : Nickel-chrome plating (silver) Color (silver)



Airflow - Static Pressure Characteristics



60mm sq.

San Ace 60



General Specifications

- Material Frame: Plastics (Flammability: UL94V-0),
Impeller: Plastics (Flammability: UL94V-0)
- Expected Life Refer to specifications (L10:Survival rate:90% at 60°C ,
rated voltage, and continuously run in a free air state)
- Lead Wire ⊕red ⊖black (Sensor) yellow
- Storage Temperature -30°C to +70°C (Non-condensing)

60×60×10mm (Mass : 35g) **9GA**type **Low Power Consumption Fan**



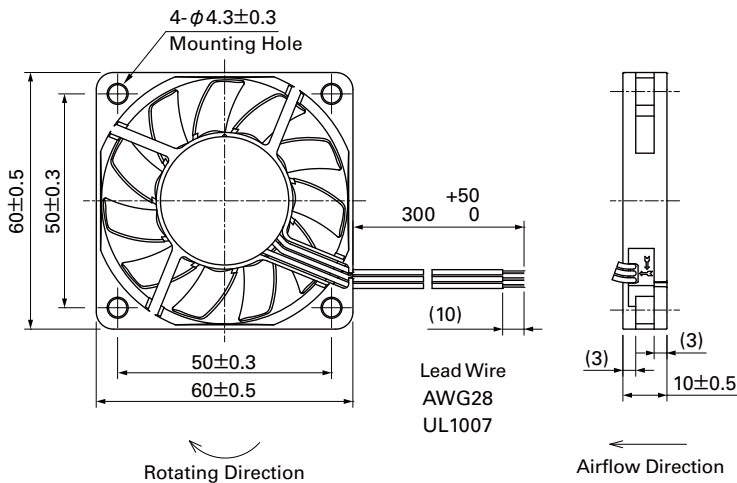
Specifications

The following nos. **have pulse sensors.**

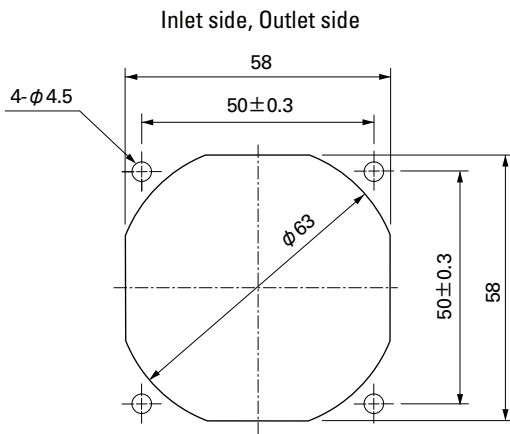
Model No.	Rated Voltage [V]	Operating Voltage Range [V]	Rated Current [A]	Rated Input [W]	Rated Speed [min ⁻¹]	Max. Airflow [m ³ /min] [CFM]	Max. Static Pressure [Pa] [inchH ₂ O]	SPL [dB(A)]	Operating Temperature [°C]	Expected Life [h]
9GA0612G9001	12	7.0 to 13.2	0.27	3.24	6,200	0.62 21.9	66 0.26	43	-20 to +60	40,000/60°C (70,000/40°C)
9GA0612H9001		7.0 to 13.8	0.14	1.68	5,000	0.50 17.6	42.9 0.17	37	-20 to +70	
9GA0612L9001			0.03	0.36	2,300	0.23 8.1	9.1 0.037	17	-10 to +70	

Other sensor specifications are available as options. Please refer to the index (pp. 504 to 505).

Dimensions (unit: mm) (With ribs)



Reference Dimensions of Mounting Holes and Vent Opening (unit: mm)

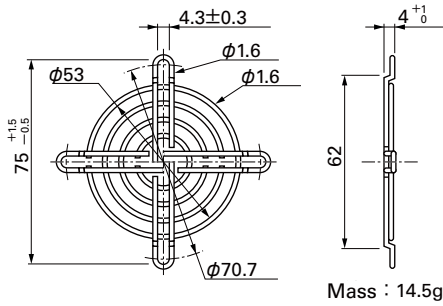


Options (unit: mm)

Finger Guards

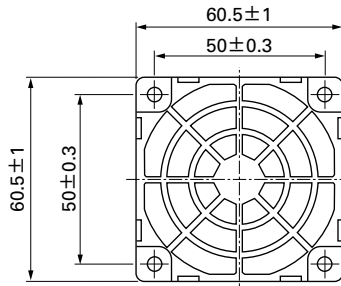
Model : 109-139E Surface treatment : Nickel-chrome plating (silver) Color
 : 109-139H : Cation electropainting (black)

Inlet side, Outlet side



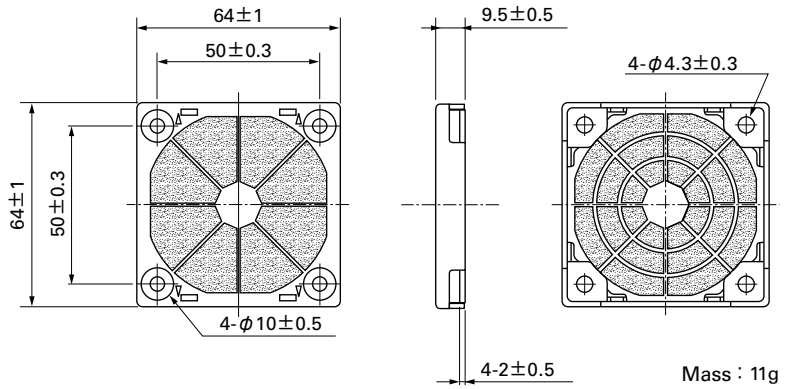
Resin Finger Guards

Model : 109-1003G

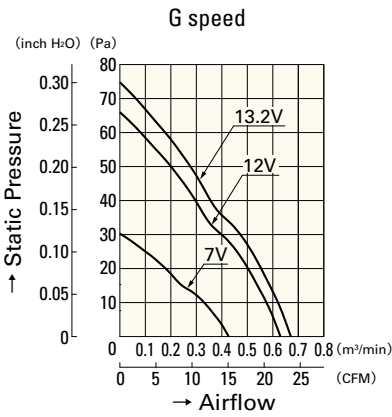


Resin Filter Kits

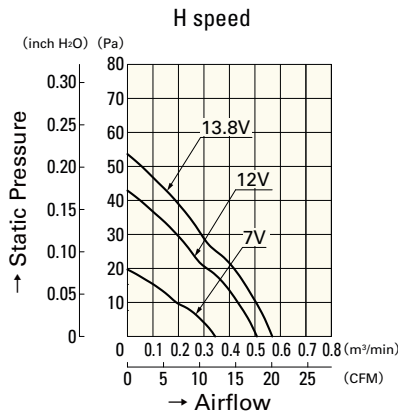
Model : 109-1003F13 (13PPI), 109-1003F20 (20PPI)
 : 109-1003F30 (30PPI), 109-1003F40 (40PPI)



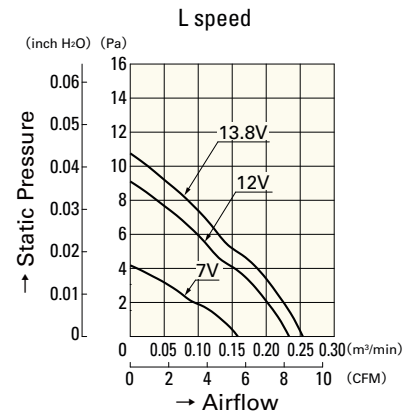
Airflow - Static Pressure Characteristics



9GA0612G9001



9GA0612H9001



9GA0612L9001

60mm sq.

San Ace 60



Model no. 9GA0624P7G01 is not TÜV certified.

General Specifications

- Material Frame: Plastics (Flammability: UL94V-0),
Impeller: Plastics (Flammability: UL94V-0)
- Expected Life Refer to specifications (L10: Survival rate: 90% at 60°C ,
rated voltage, and continuously run in a free air state)
- Lead Wire ⊕red ⊖black (Sensor) yellow (Control) brown
(For models without PWM control function, there is no speed control wiring.)
- Storage Temperature ... -30°C to +70°C (Non-condensing)

60×60×15mm [Mass : 50g] **9GA type** **Low Power Consumption Fan**



Specifications

The following nos. **have PWM controls, pulse sensors, and ribs.**

Model No.	Rated Voltage [V]	Operating Voltage Range [V]	PWM duty cycle* [%]	Rated Current [A]	Rated Input [W]	Rated Speed [min ⁻¹]	Max. Airflow [m ³ /min] [CFM]	Max. Static Pressure [Pa] [inchH ₂ O]	SPL [dB(A)]	Operating Temperature [°C]	Expected Life [h]
9GA0612P7G01	12	10.2 to 13.8	100	0.16	1.92	5,900	0.68 24	80 0.320	38	-20 to +70	40,000/60°C (70,000/40°C)
			0	0.05	0.60	1,500	0.17 6.0	5.2 0.020	10		
9GA0612P7H01			100	0.10	1.2	4,900	0.56 19.7	55.6 0.223	34		
			0	0.03	0.36	1,300	0.15 5.3	3.9 0.015	8		
9GA0624P7G01 ^(Note)	24	20.4 to 27.6	100	0.08	1.92	5,900	0.68 24.0	80 0.320	38	-10 to +70	

Note: Fan does not rotate when PWM duty cycle is 0%.

*PWM Frequency : 25kHz

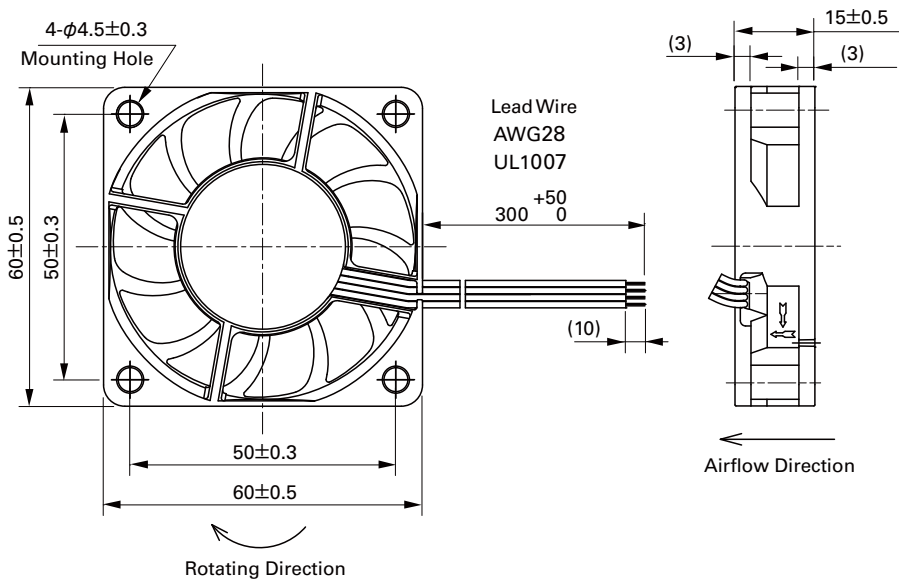
The following nos. have pulse sensors and ribs.

Model No.	Rated Voltage [V]	Operating Voltage Range [V]	Rated Current [A]	Rated Input [W]	Rated Speed [min ⁻¹]	Max. Airflow [m ³ /min] [CFM]	Max. Static Pressure [Pa] [inchH ₂ O]	SPL [dB(A)]	Operating Temperature [°C]	Expected Life [h]
9GA0612G701	12	6 to 13.8	0.16	1.92	5,900	0.68 24	80 0.320	38	-20 to +70	40,000/60°C (70,000/40°C)
9GA0612H701			0.1	1.2	4,900	0.56 19.7	55.6 0.223	34		
9GA0612M701			0.08	0.96	3,900	0.45 15.9	35.3 0.142	28		
9GA0612L701			0.03	0.36	2,800	0.31 10.9	18 0.072	17		60,000/60°C

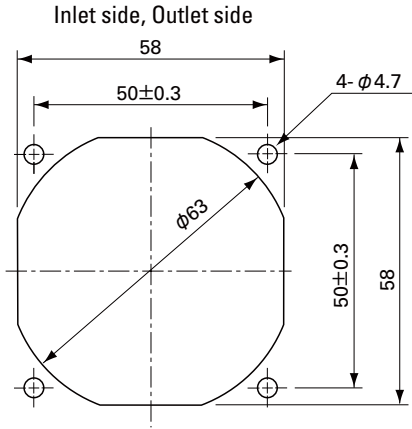
Other sensor specifications are available as options. Please refer to the index (pp. 504 to 505).

Dimensions (unit: mm)

(With PWM control function · With pulse sensor)

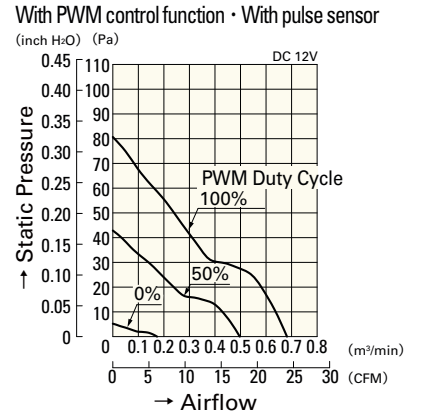


Reference Dimensions of Mounting Holes and Vent Opening (unit: mm)



Airflow - Static Pressure Characteristics

PWM Duty Cycle



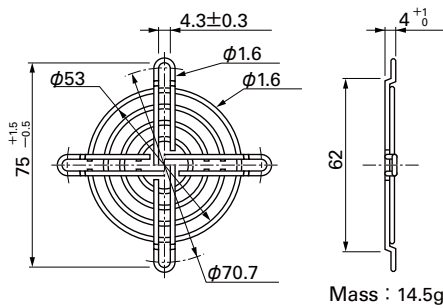
9GA0612P7G01

Options (unit: mm)

Finger Guards

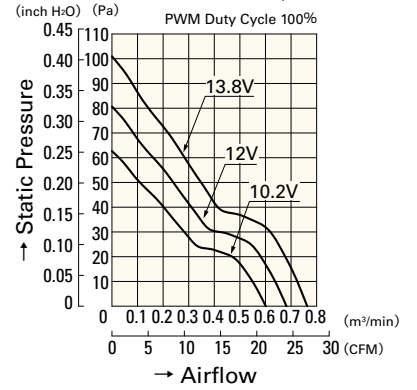
Model : 109-139E Surface treatment : Nickel-chrome plating (silver) Color
 : 109-139H : Cation electropainting (black)

Inlet side, Outlet side



Operating Voltage Range

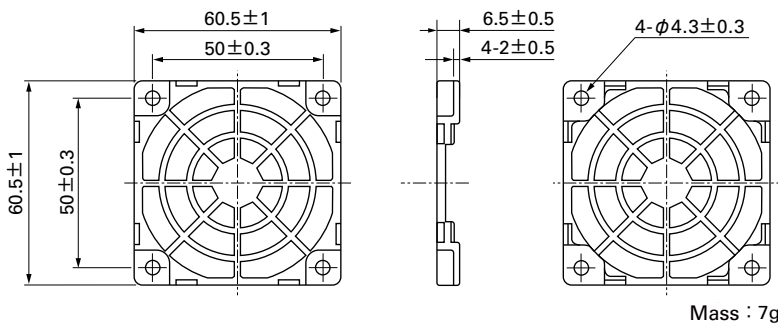
With PWM control function · With pulse sensor



9GA0612P7G01

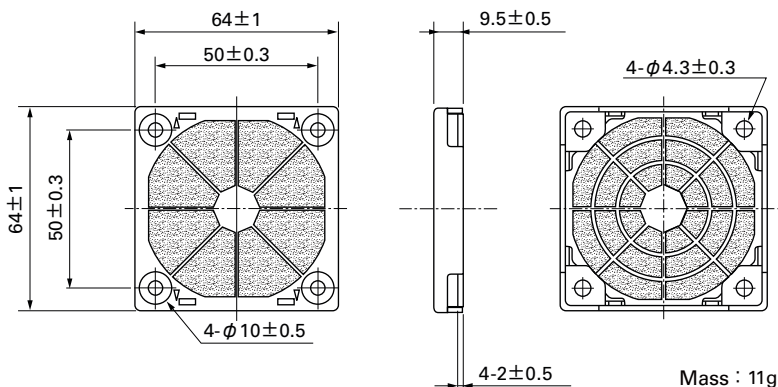
Resin Finger Guards

Model : 109-1003G



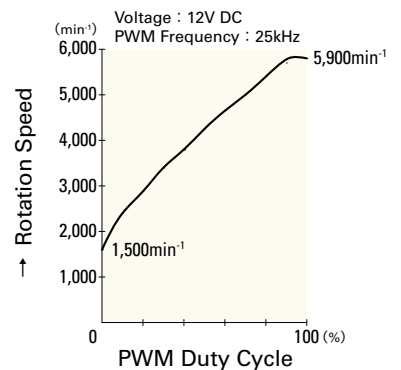
Resin Filter Kits

Model : 109-1003F13 (13PPI), 109-1003F20 (20PPI)
 : 109-1003F30 (30PPI), 109-1003F40 (40PPI)



PWM Duty - Speed Characteristics Example

With PWM control function · With pulse sensor



9GA0612P7G01

60mm sq.

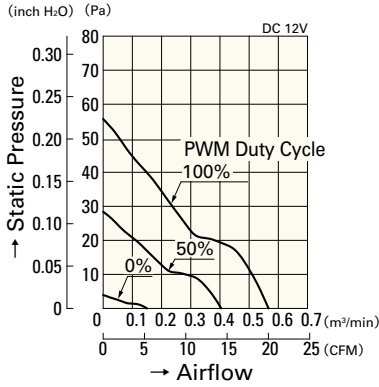
San Ace 60

60×60×15mm [Mass : 50g]

Airflow - Static Pressure Characteristics

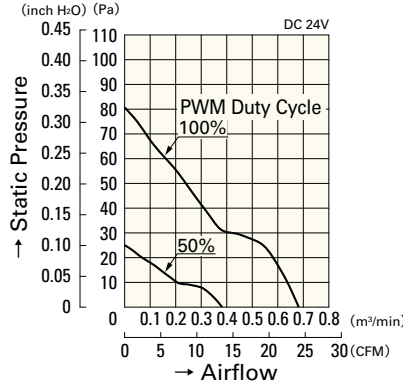
PWM Duty Cycle

With PWM control function · With pulse sensor



9GA0612P7H01

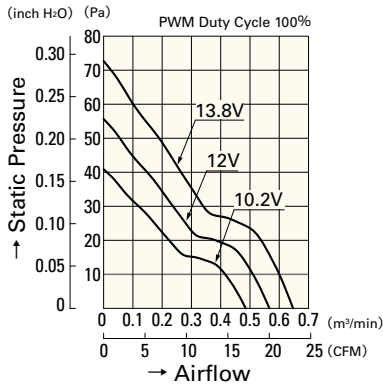
With PWM control function · With pulse sensor



9GA0624P7G01

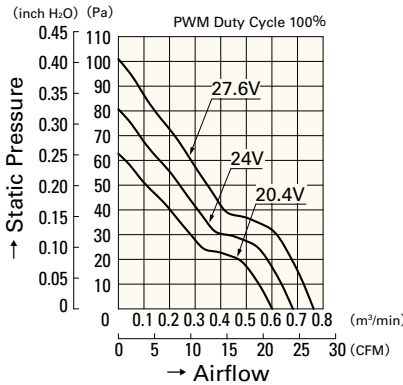
Operating Voltage Range

With PWM control function · With pulse sensor



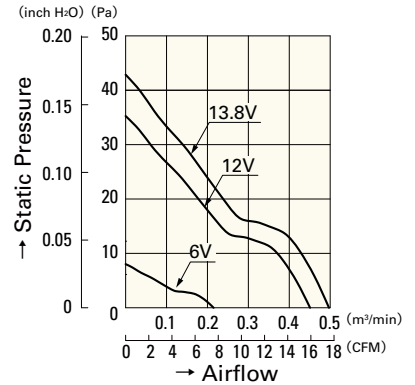
9GA0612P7H01

With PWM control function · With pulse sensor



9GA0624P7G01

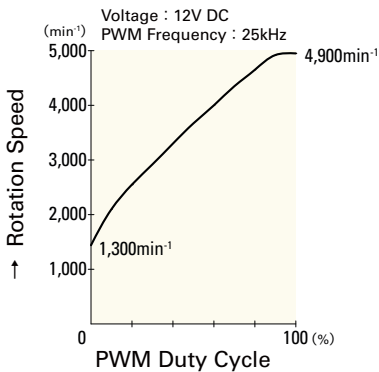
With pulse sensor



9GA0612M701

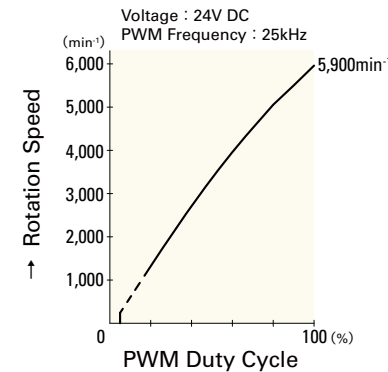
PWM Duty - Speed Characteristics Example

With PWM control function · With pulse sensor

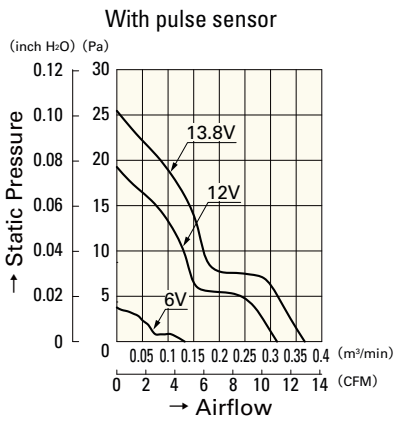


9GA0612P7H01

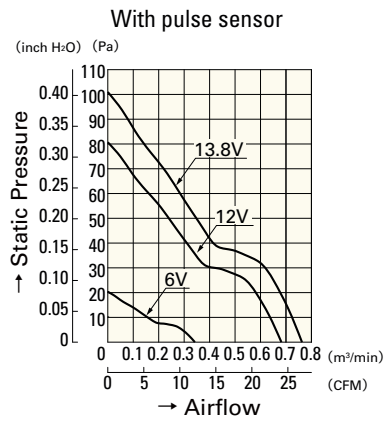
With PWM control function · With pulse sensor



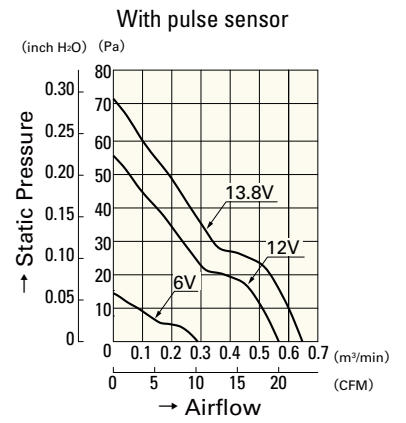
9GA0624P7G01



9GA0612L701



9GA0612G701



9GA0612H701

60 mm sq.

San Ace 60



General Specifications

- Material Frame: Plastics (Flammability: UL94V-0),
Impeller: Plastics (Flammability: UL94V-1)
- Expected Life Refer to specifications (L10:Survival rate:90% at 60°C ,
rated voltage, and continuously run in a free air state)
- Lead Wire ⊕red ⊖black or blue (Sensor) yellow
- Storage Temperature -30°C to +70°C (Non-condensing)

60×60×15 mm (Mass : 60g) **9P**type

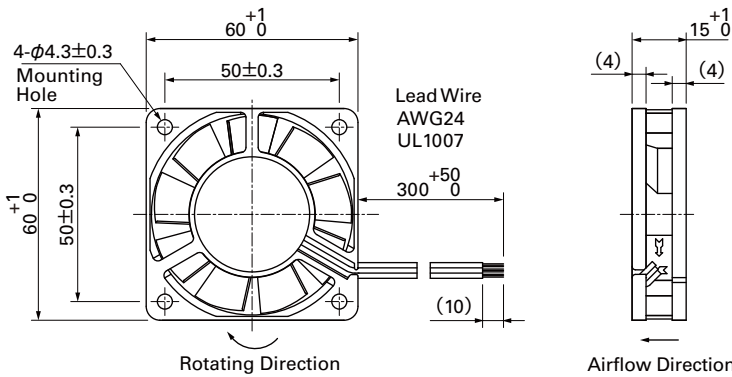
Specifications

The following nos. **have pulse sensors and ribs.**

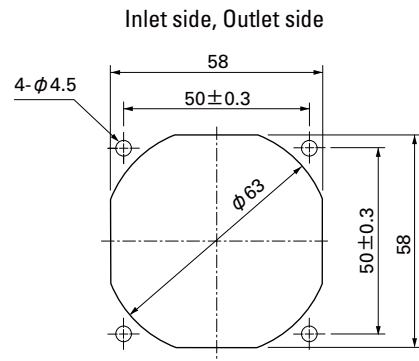
Model No.	Rated Voltage [V]	Operating Voltage Range [V]	Rated Current [A]	Rated Input [W]	Rated Speed [min ⁻¹]	Max. Airflow [m ³ /min] [CFM]	Max. Static Pressure [Pa] [inchH ₂ O]	SPL [dB(A)]	Operating Temperature [°C]	Expected Life [h]	
109P0605H701	5	4.5 to 5.5	0.26	1.30	4,100	0.40 14.1	38.2 0.153	32	-20 to +70	60,000/60°C	
109P0605M701			0.15	0.75	3,100	0.30 10.6	22.6 0.091	25			
109P0612K701	12	10.2 to 13.8	0.26	3.12	6,500	0.62 21.9	99.3 0.399	45	-20 to +60	40,000/60°C	
109P0612S701			0.15	1.80	5,000	0.48 17.0	58.8 0.236	36			
109P0612H701		7 to 13.8	0.09	1.08	4,100	0.40 14.1	38.2 0.153	32			
109P0612M701			0.07	0.84	3,100	0.30 10.6	22.6 0.091	25			
109P0612B701		10.2 to 13.8	0.05	0.6	2,200	0.21 7.42	11.7 0.047	21			
109P0624J701			24	14 to 27.6	0.14	3.36	6,200	0.61 21.5			86.5 0.347
109P0624S701	0.08	1.92			5,000	0.48 16.9	58.8 0.236	36			
109P0624H701	0.06	1.44			4,100	0.40 14.1	38.2 0.153	32			
109P0624M701	20.4 to 27.6	0.04			0.96	3,100	0.30 10.6	22.6 0.091	25		
											-20 to +70

Other sensor specifications are available as options. Please refer to the index (p. 497).

Dimensions (unit: mm)



Reference Dimensions of Mounting Holes and Vent opening (unit: mm)

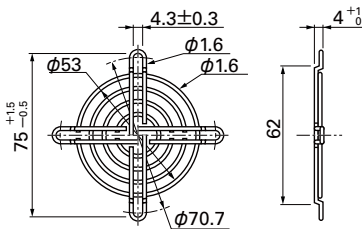


Options (unit: mm)

Finger Guards

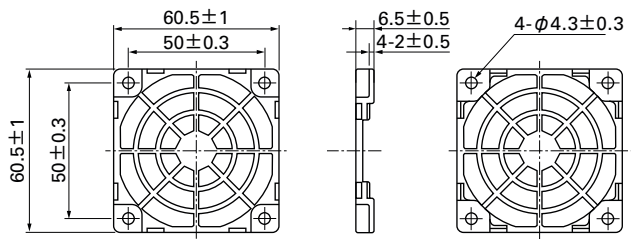
Model : 109-139E Surface treatment : Nickel-chrome plating (silver)
: 109-139H : Cation electropainting (black)

Inlet side, Outlet side



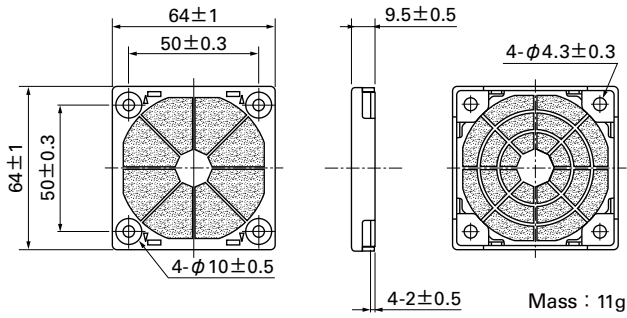
Resin Finger Guards

Model : 109-1003G

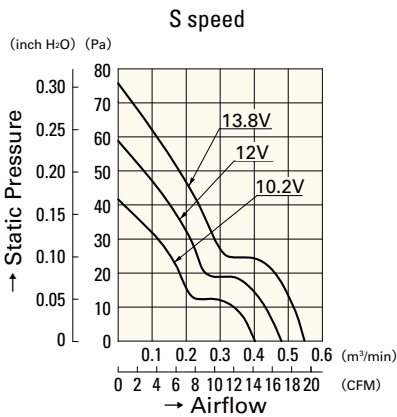


Resin Filter Kits

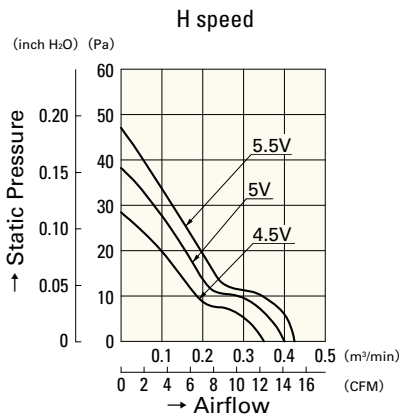
Model : 109-1003F13 (13PPI), 109-1003F20 (20PPI)
 : 109-1003F30 (30PPI), 109-1003F40 (40PPI)



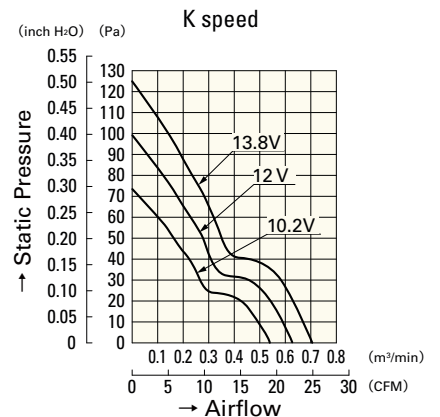
Airflow - Static Pressure Characteristics



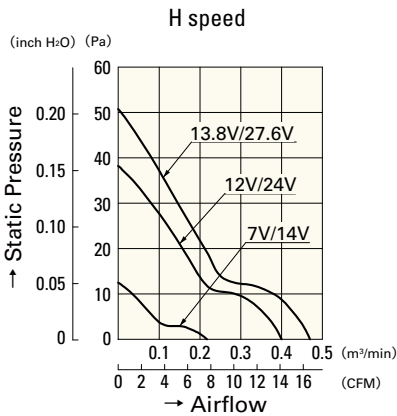
109P0612S701



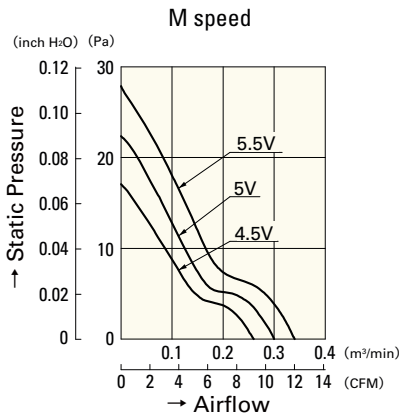
109P0605H701



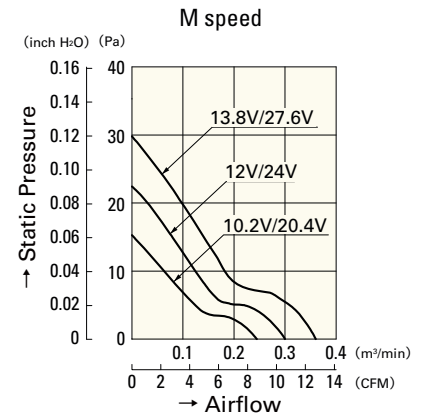
109P0612K701



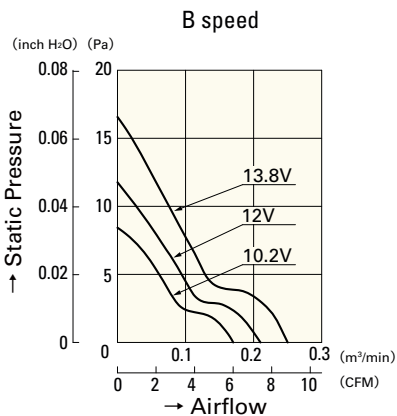
109P0612H701
109P0624H701



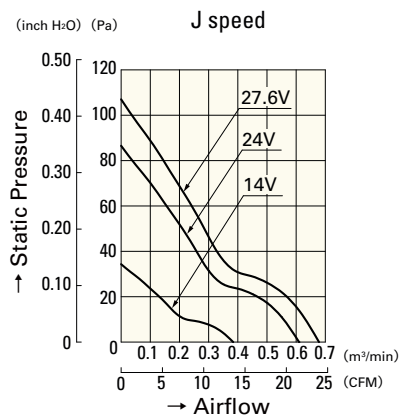
109P0605M701



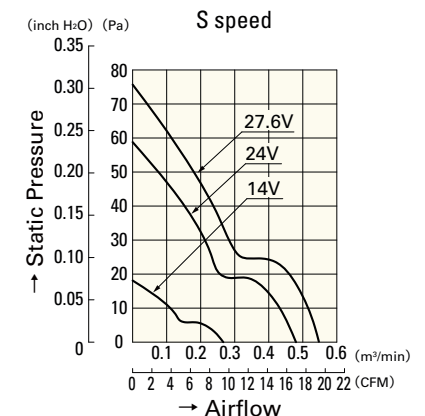
109P0612M701
109P0624M701



109P0612B701



109P0624J701



109P0624S701

60mm sq.

San Ace 60



General Specifications

- Material Frame: Plastics (Flammability: UL94V-0),
Impeller: Plastics (Flammability: UL94V-0)
- Expected Life Refer to specifications (L10: Survival rate: 90% at 60°C ,
rated voltage, and continuously run in a free air state)
- Lead Wire ⊕red ⊖black (Sensor) yellow (Control) brown
(For models without PWM control function, there is no speed control wiring.)
- Storage Temperature ... -30°C to +70°C (Non-condensing)

60×60×20mm [Mass : 70g] **9GA type** **Low Power Consumption Fan**



Specifications The following nos. have PWM controls, pulse sensors, and ribs.

Model No.	Rated Voltage [V]	Operating Voltage Range [V]	PWM duty cycle ^{*)} [%]	Rated Current [A]	Rated Input [W]	Rated Speed [min ⁻¹]	Max. Airflow [m ³ /min] [CFM]	Max. Static Pressure [Pa] [inchH ₂ O]	SPL [dB(A)]	Operating Temperature [°C]	Expected Life [h]
9GA0612P6G001	12	10.8 to 13.2	100	0.26	3.12	6,850	0.88 31.1	125 0.50	43	-20 to +70	40,000/60°C (70,000/40°C)
9GA0612P6S001			100	0.15	1.80	5,500	0.70 24.7	81 0.33	36		
9GA0624P6G001	24	21.6 to 26.4	100	0.12	2.88	6,850	0.88 31.1	125 0.50	43		
9GA0624P6S001			100	0.07	1.68	5,500	0.70 24.7	81 0.33	36		

Note: Fan does not rotate when PWM duty cycle is 0%.

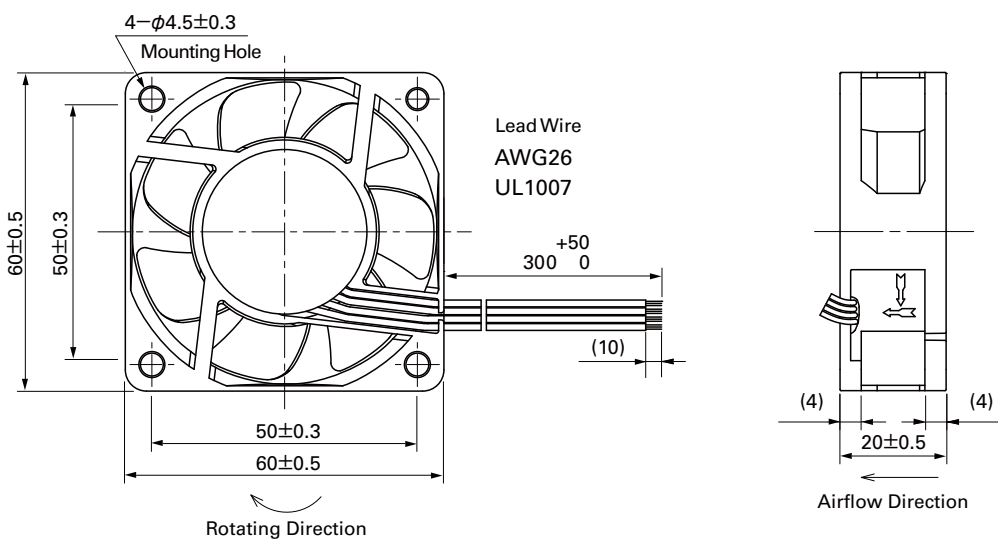
*)PWM Frequency : 25kHz

The following nos. have pulse sensors and ribs.

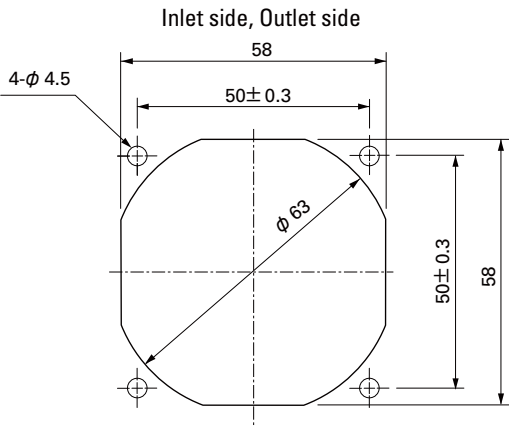
Model No.	Rated Voltage [V]	Operating Voltage Range [V]	Rated Current [A]	Rated Input [W]	Rated Speed [min ⁻¹]	Max. Airflow [m ³ /min] [CFM]	Max. Static Pressure [Pa] [inchH ₂ O]	SPL [dB(A)]	Operating Temperature [°C]	Expected Life [h]
9GA0612H6001	12	10.8 to 13.2	0.09	1.08	4,100	0.52 18.4	45 0.18	29	-20 to +70	60,000/60°C
9GA0612M6001			0.05	0.60	2,700	0.34 12.0	20 0.08	18		
9GA0624H6001	24	21.6 to 26.4	0.04	0.96	4,100	0.52 18.4	45 0.18	29		
9GA0624M6001			0.03	0.72	2,700	0.34 12.0	20 0.08	18		

Other sensor specifications are available as options. Please refer to the index (pp. 504 to 505).

Dimensions (unit: mm) (With PWM control function · With pulse sensor)



Reference Dimensions of Mounting Holes and Vent Opening (unit: mm)



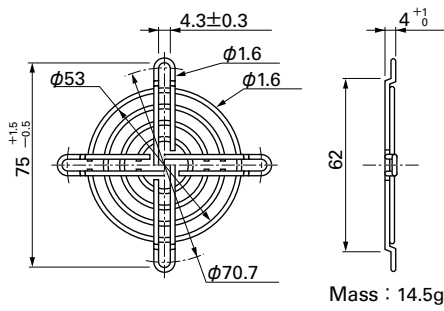
Options (unit: mm)

Finger Guards

Model : 109-139E Surface treatment : Nickel-chrome plating (silver)
 : 109-139H : Cation electropainting (black)

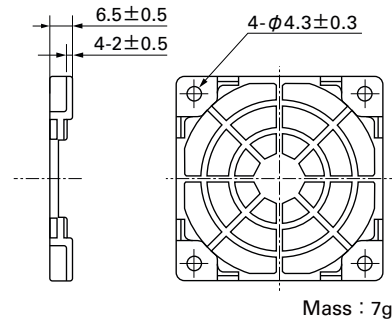
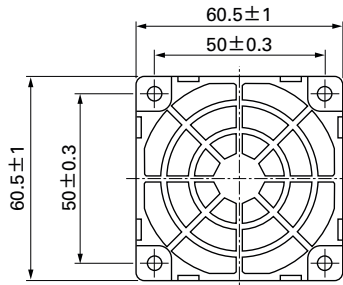
Color

Inlet side, Outlet side



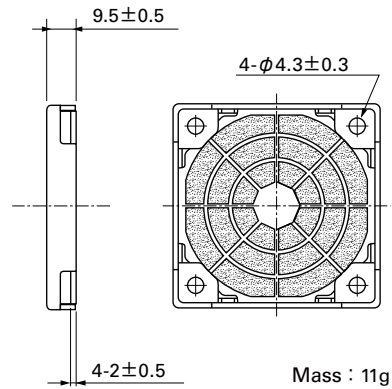
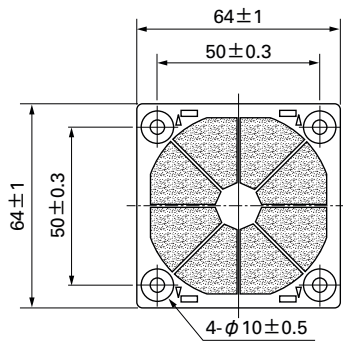
Resin Finger Guards

Model : 109-1003G



Resin Filter Kits

Model : 109-1003F13 (13PPI), 109-1003F20 (20PPI)
 : 109-1003F30 (30PPI), 109-1003F40 (40PPI)



60mm sq.

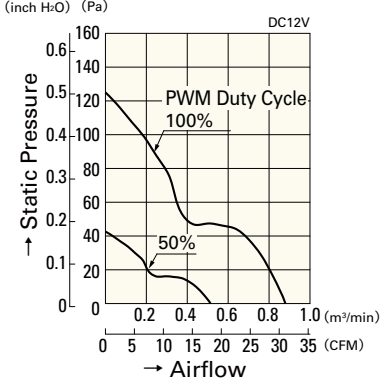
San Ace 60

60×60×20mm [Mass : 70g]

Airflow - Static Pressure Characteristics

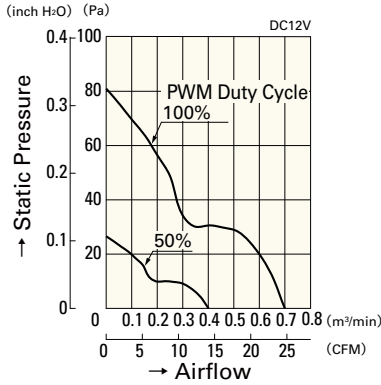
PWM Duty Cycle

With PWM control function · With pulse sensor



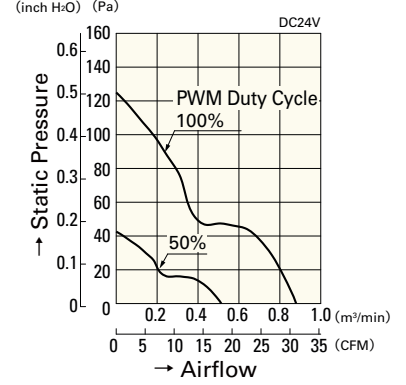
9GA0612P6G001

With PWM control function · With pulse sensor



9GA0612P6S001

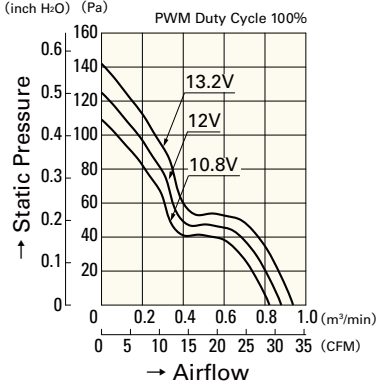
With PWM control function · With pulse sensor



9GA0624P6G001

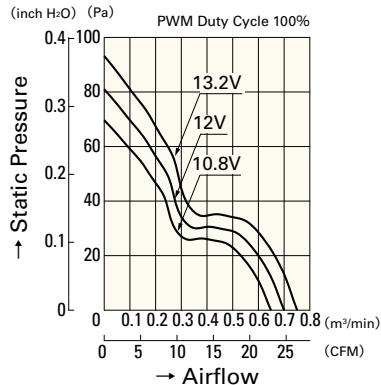
Operating Voltage Range

With PWM control function · With pulse sensor



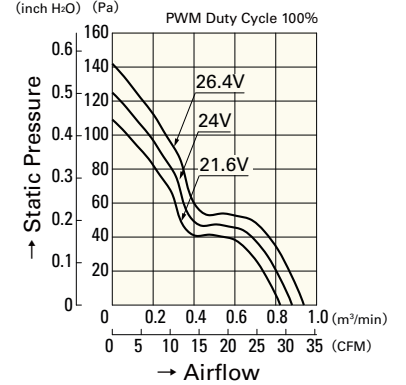
9GA0612P6G001

With PWM control function · With pulse sensor



9GA0612P6S001

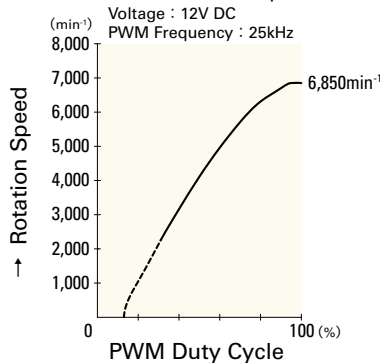
With PWM control function · With pulse sensor



9GA0624P6G001

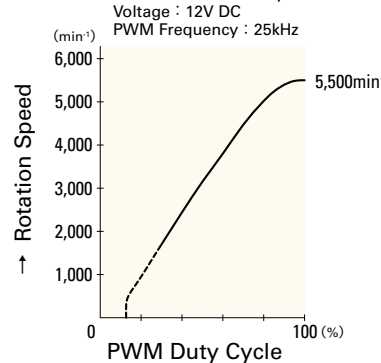
PWM Duty - Speed Characteristics Example

With PWM control function · With pulse sensor



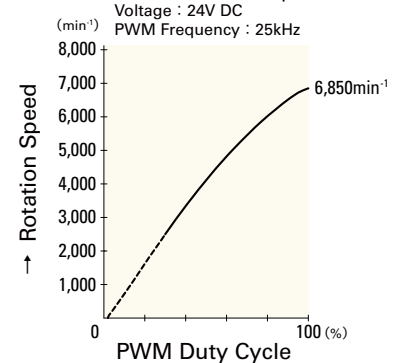
9GA0612P6G001

With PWM control function · With pulse sensor



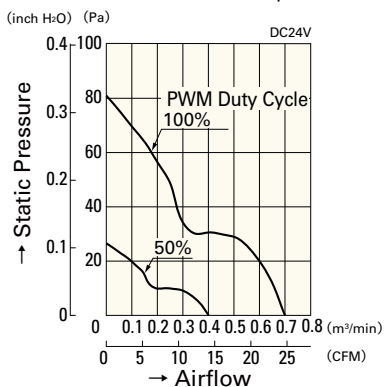
9GA0612P6S001

With PWM control function · With pulse sensor



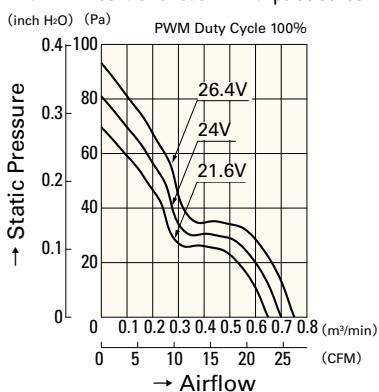
9GA0624P6G001

With PWM control function · With pulse sensor



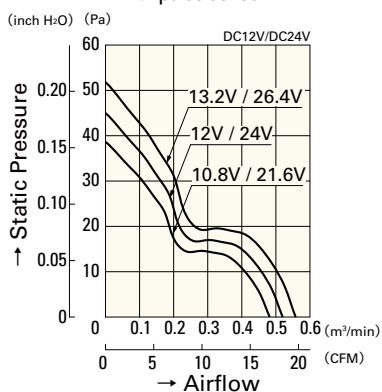
9GA0624P6S001

With PWM control function · With pulse sensor



9GA0624P6S001

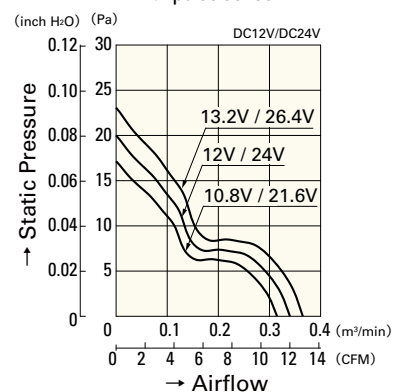
With pulse sensor



9GA0612H6001

9GA0624H6001

With pulse sensor

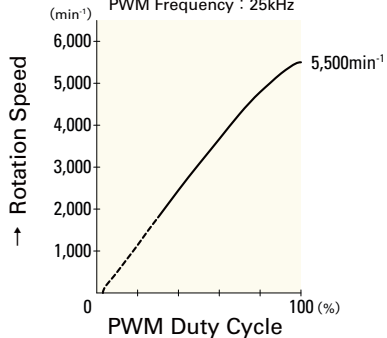


9GA0612M6001

9GA0624M6001

With PWM control function · With pulse sensor

Voltage : 24V DC
PWM Frequency : 25kHz



9GA0624P6S001

60mm sq.

San Ace 60



General Specifications

- Material Frame: Plastics (Flammability: UL94V-0),
Impeller: Plastics (Flammability: UL94V-1)
- Expected Life Refer to specifications (L10:Survival rate:90% at 60°C ,
rated voltage, and continuously run in a free air state)
- Lead Wire ⊕red ⊖black or blue (Sensor) yellow
- Storage Temperature -30°C to +70°C (Non-condensing)

60×60×20mm (Mass : 90g) **9P** type

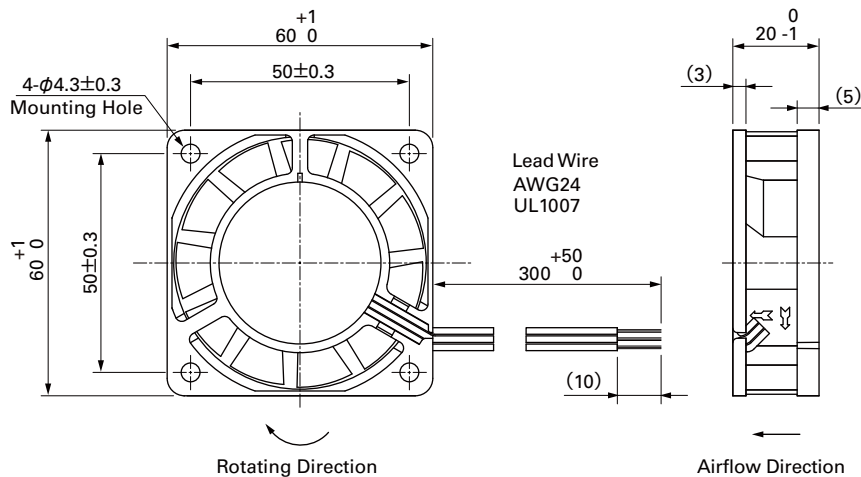
Specifications

The following nos. **have pulse sensors and ribs.**

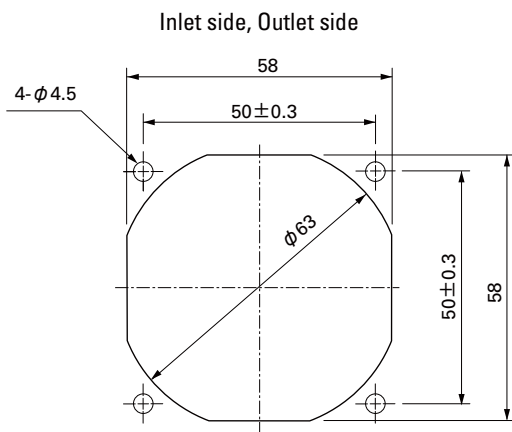
Model No.	Rated Voltage [V]	Operating Voltage Range [V]	Rated Current [A]	Rated Input [W]	Rated Speed [min ⁻¹]	Max. Airflow [m ³ /min] [CFM]	Max. Static Pressure [Pa] [inchH ₂ O]	SPL [dB(A)]	Operating Temperature [°C]	Expected Life [h]
109P0612W601	12	6 to 16	0.13	1.56	4,200	0.42 14.8	31.8 0.128	31	-20 to +70	60,000/60°C
109P0612H601		10.2 to 13.8	0.13	1.56	4,200	0.42 14.8	31.8 0.128	31		
109P0612M601			0.09	1.08	3,200	0.30 10.6	18.8 0.076	25		
109P0624W601	24	12 to 30	0.07	1.68	4,200	0.42 14.8	31.8 0.128	31		
109P0624H601		20.4 to 27.6	0.07	1.68	4,200	0.42 14.8	31.8 0.128	31		
109P0624M601			0.05	1.20	3,200	0.30 10.6	18.8 0.076	25		
109P0648H601	48	43 to 53	0.07	3.36	5,600	0.55 19.4	52.9 0.212	41		40,000/60°C

Other sensor specifications are available as options. Please refer to the index (p. 497).

Dimensions (unit: mm)



Reference Dimensions of Mounting Holes and Vent Opening (unit: mm)



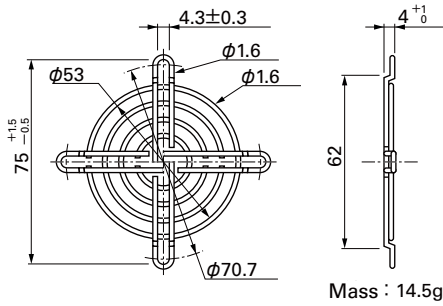
Options (unit: mm)

Finger Guards

Model : 109-139E Surface treatment : Nickel-chrome plating (silver)
 : 109-139H : Cation electropainting (black)

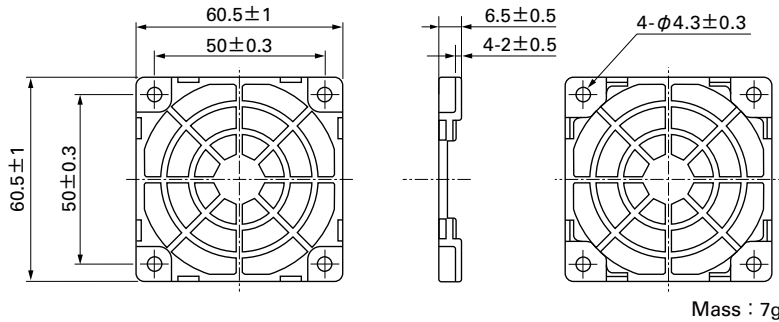
Color

Inlet side, Outlet side



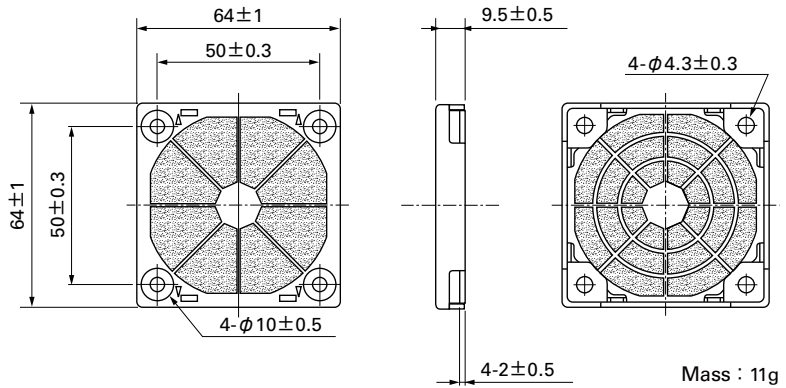
Resin Finger Guards

Model : 109-1003G

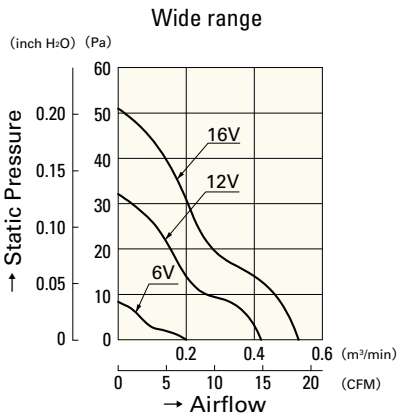


Resin Filter Kits

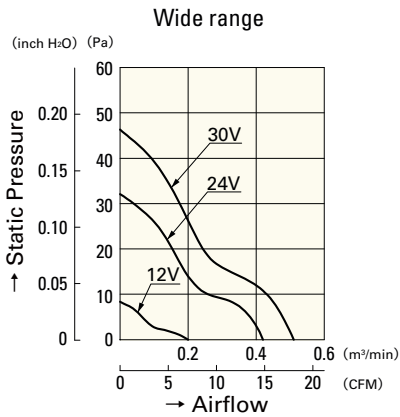
Model : 109-1003F13 (13PPI), 109-1003F20 (20PPI)
 : 109-1003F30 (30PPI), 109-1003F40 (40PPI)



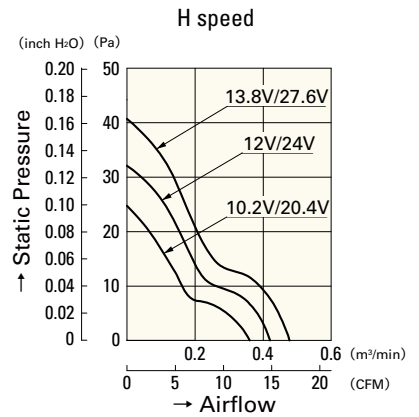
Airflow - Static Pressure Characteristics



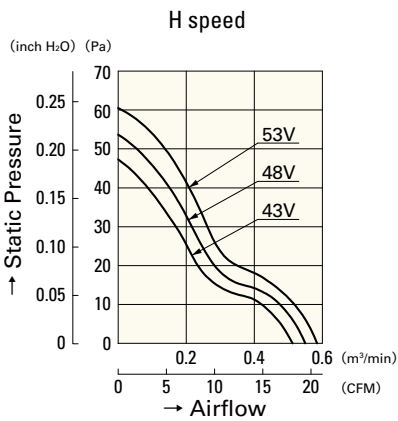
109P0612W601



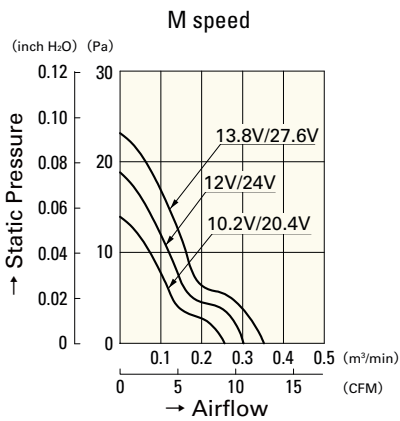
109P0624W601



109P0612H601
109P0624H601



109P0648H601



109P0612M601
109P0624M601

60mm sq.

San Ace 60



General Specifications

- Material Frame: Plastics (Flammability: UL94V-0),
Impeller: Plastics (Flammability: UL94V-1)
- Expected Life Refer to specifications (L10:Survival rate:90% at 60°C ,
rated voltage, and continuously run in a free air state)
- Lead Wire ⊕red ⊖black (Sensor) yellow
- Storage Temperature -30°C to +70°C (Non-condensing)

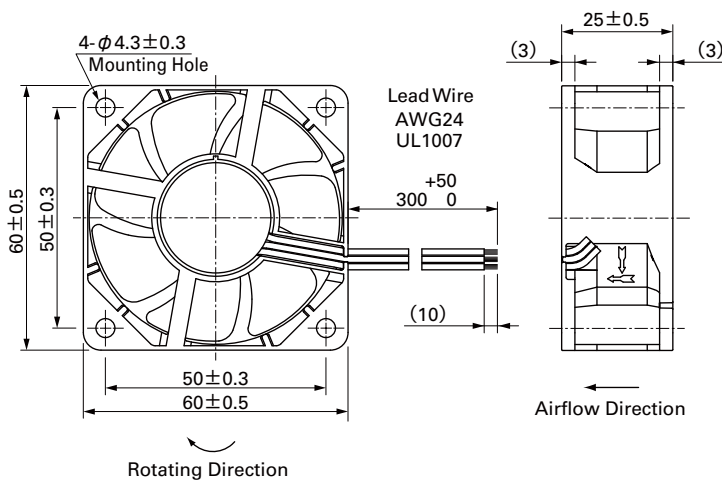
60×60×25mm (Mass : 55g) **9S**type **Silent Fan**

Specifications The following nos. **have pulse sensors and ribs.** For ribless, append "1" to the model no.

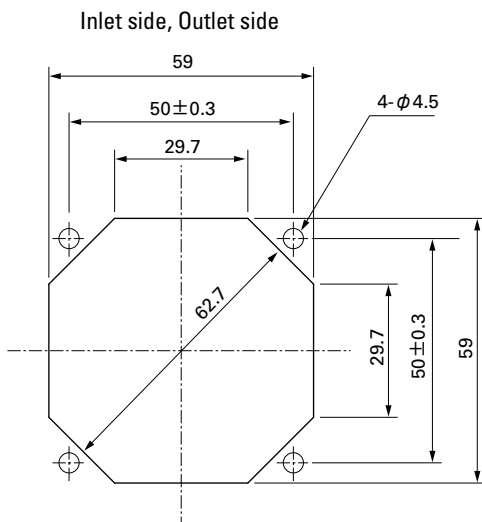
Model No.	Rated Voltage [V]	Operating Voltage Range [V]	Rated Current [A]	Rated Input [W]	Rated Speed [min ⁻¹]	Max. Airflow [m ³ /min] [CFM]	Max. Static Pressure [Pa] [inchH ₂ O]	SPL [dB(A)]	Operating Temperature [°C]	Expected Life [h]
9S0612S401	12	5.0 to 13.8	0.20	2.40	5,000	0.74 26.1	65.7 0.26	31	-10 to +70	40,000/60°C
9S0612H401			0.11	1.32	3,900	0.58 20.5	40.0 0.16	24		
9S0612F401		6.0 to 13.8	0.08	0.96	3,300	0.49 17.3	29.3 0.12	20		
9S0612M401			0.07	0.84	2,700	0.40 14.1	19.7 0.08	16		

Other sensor specifications are available as options. Please refer to the index (p. 510).

Dimensions (unit: mm) (With ribs)



Reference Dimensions of Mounting Holes and Vent Opening (unit: mm)

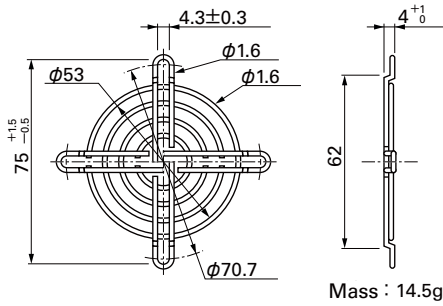


Options (unit: mm)

Finger Guards

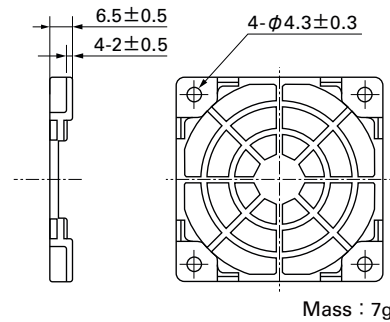
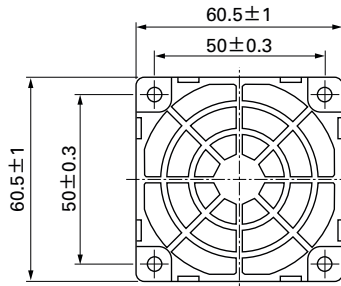
Model : 109-139E Surface treatment : Nickel-chrome plating (silver) Color : Silver
 : 109-139H : Cation electropainting (black)

Inlet side, Outlet side



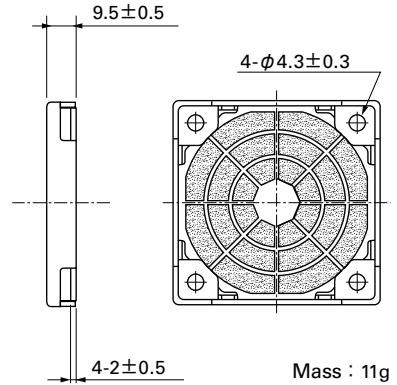
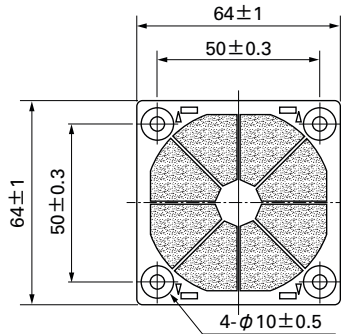
Resin Finger Guards

Model : 109-1003G

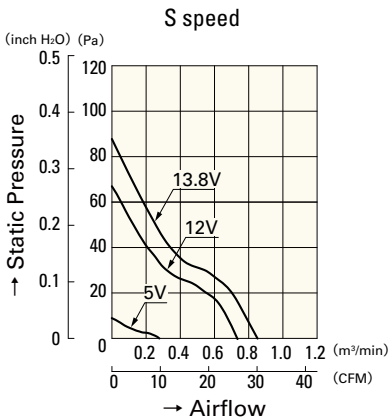


Resin Filter Kits

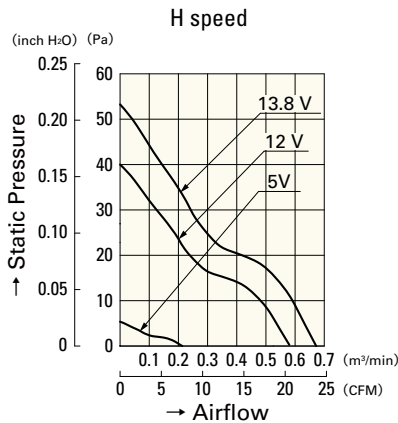
Model : 109-1003F13 (13PPI), 109-1003F20 (20PPI)
 : 109-1003F30 (30PPI), 109-1003F40 (40PPI)



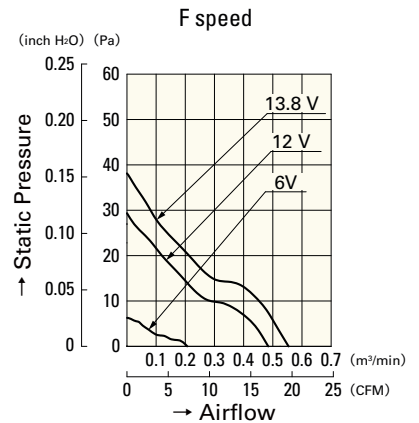
Airflow - Static Pressure Characteristics



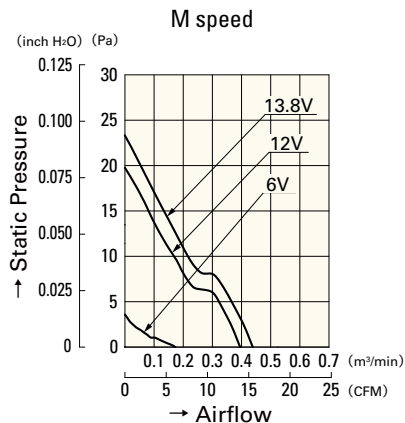
9S0612S401



9S0612H401



9S0612F401



9S0612M401

60mm sq.

San Ace 60



General Specifications

- Material Frame: Plastics (Flammability: UL94V-0),
Impeller: Plastics (Flammability: UL94V-0)
- Expected Life Refer to specifications (L10:Survival rate:90% at 60°C ,
rated voltage, and continuously run in a free air state)
- Lead Wire ⊕red ⊖black (Sensor) yellow (Control) brown
- Storage Temperature -30°C to +70°C (Non-condensing)

60×60×25mm [Mass : 90g] **9G type**

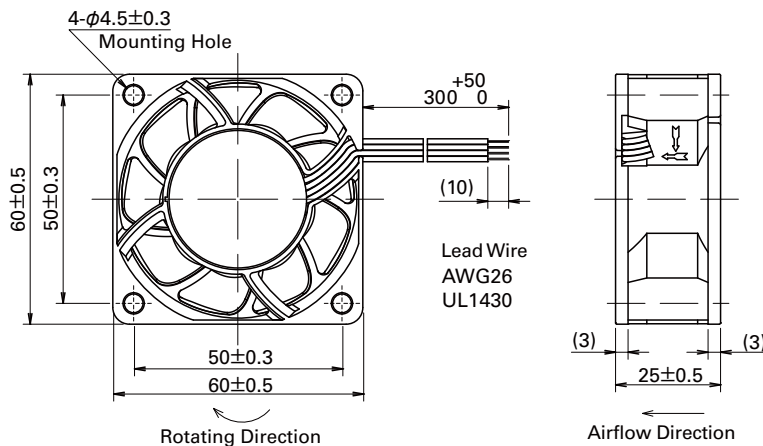
Specifications The following nos. **have PWM controls, pulse sensors, and ribs.** For ribless, append "1" to the model no.

Model No.	Rated Voltage [V]	Operating Voltage Range [V]	PWM duty cycle* [%]	Rated Current [A]	Rated Input [W]	Rated Speed [min ⁻¹]	Max. Airflow [m ³ /min] [CFM]	Max. Static Pressure [Pa] [InchH ₂ O]	SPL [dB(A)]	Operating Temperature Range [°C]	Expected Life [h]
9G0612P4S001	12	10.2 to 13.8	100	0.67	8.04	11,000	1.4 49.4	300 1.20	53	-20 to +70	40,000/60°C (70,000/40°C)
			0	0.07	0.84	3,300	0.42 14.8	27 0.11	19		
9G0612P4H001			100	0.50	6.00	9,500	1.21 42.7	224 0.90	49		
			0	0.06	0.72	2,850	0.36 12.7	20.2 0.08	18		
9G0624P4S001	24	20.4 to 27.6	100	0.34	8.16	11,000	1.4 49.4	300 1.20	53		
			0	0.04	0.96	3,300	0.42 14.8	27 0.11	19		
9G0624P4H001			100	0.25	6.00	9,500	1.21 42.7	224 0.90	49		
			0	0.04	0.96	2,850	0.36 12.7	20.2 0.08	18		
9G0648P4S001	48	36 to 72	100	0.18	8.64	11,000	1.4 49.4	305 1.22	53		
			0	0.02	0.96	3,300	0.42 14.8	27.4 0.11	19		

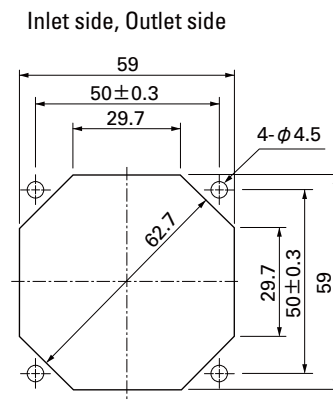
※PWM Frequency : 25kHz

Other sensor specifications are available as options. Please refer to the index (pp. 501 to 502).

Dimensions (unit: mm) (With ribs)



Reference Dimensions of Mounting Holes and Vent Opening (unit: mm)

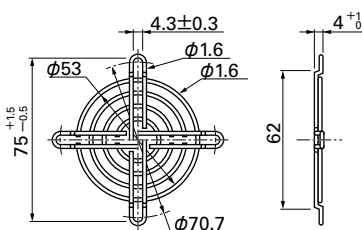


Options (unit: mm)

Finger Guards

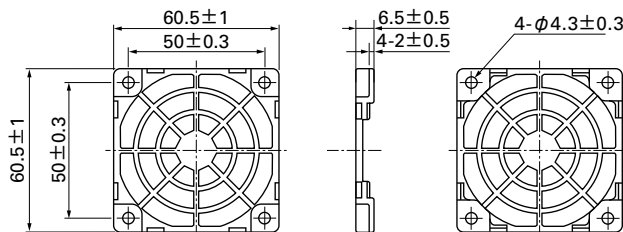
Model : 109-139E Surface treatment : Nickel-chrome plating (silver) Color : 109-139H : Cation electropainting (black)

Inlet side, Outlet side



Resin Finger Guards

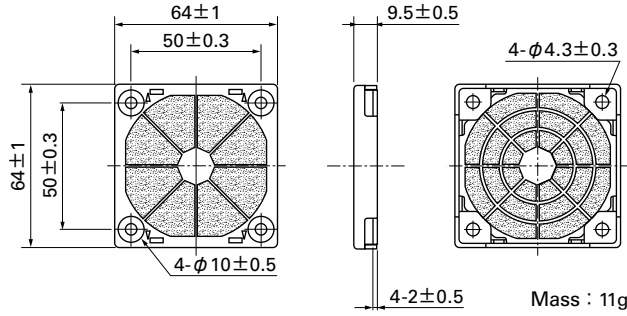
Model : 109-1003G



Options (unit: mm)

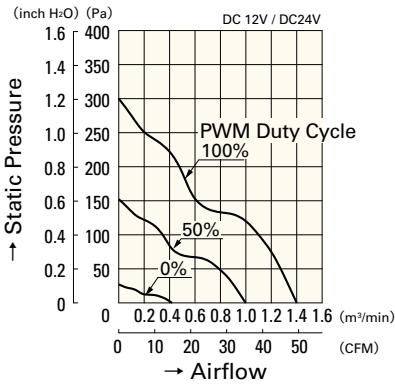
Resin Filter Kits

Model : 109-1003F13 (13PPI), 109-1003F20 (20PPI)
 : 109-1003F30 (30PPI), 109-1003F40 (40PPI)

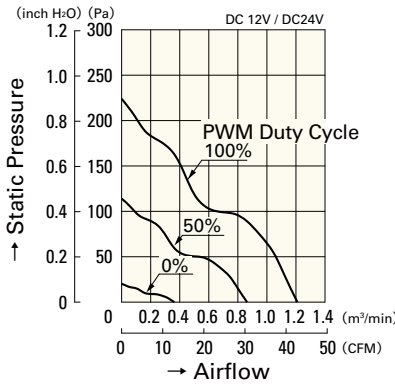


Airflow - Static Pressure Characteristics

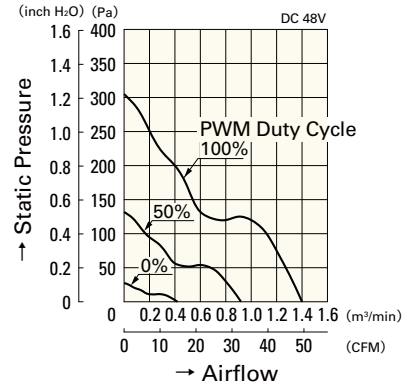
PWM Duty Cycle



9G0612P4S001
9G0624P4S001

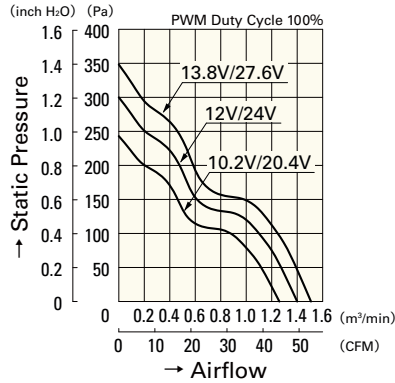


9G0612P4H001
9G0624P4H001

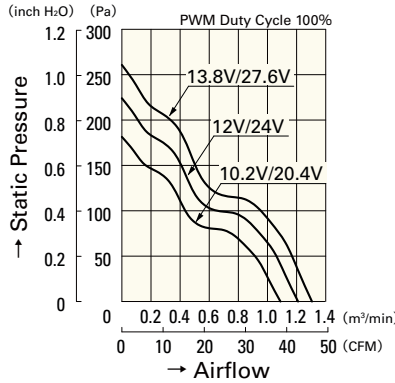


9G0648P4S001

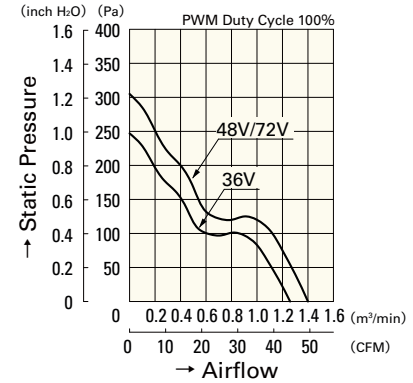
Operating Voltage Range



9G0612P4S001
9G0624P4S001

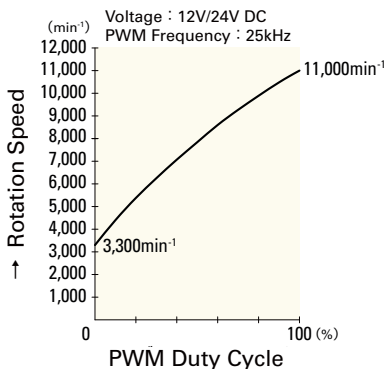


9G0612P4H001
9G0624P4H001

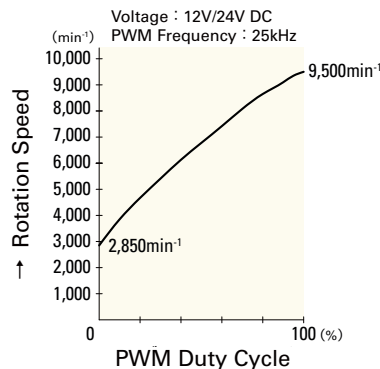


9G0648P4S001

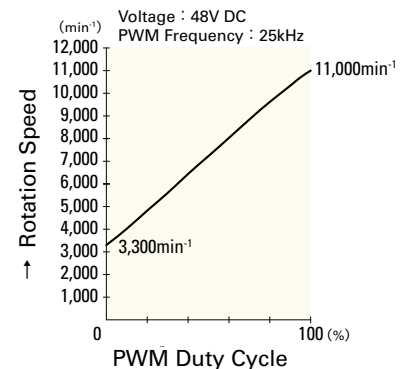
PWM Duty - Speed Characteristics Example



9G0612P4S001
9G0624P4S001



9G0612P4H001
9G0624P4H001



9G0648P4S001

60mm sq.

San Ace 60



General Specifications

- Material Frame: Plastics (Flammability: UL94V-0),
Impeller: Plastics (Flammability: UL94V-1)
- Expected Life Refer to specifications (L10:Survival rate:90% at 60°C ,
rated voltage, and continuously run in a free air state)
- Lead Wire ⊕red ⊖black or blue (Sensor) yellow
- Storage Temperature -30°C to +70°C (Non-condensing)

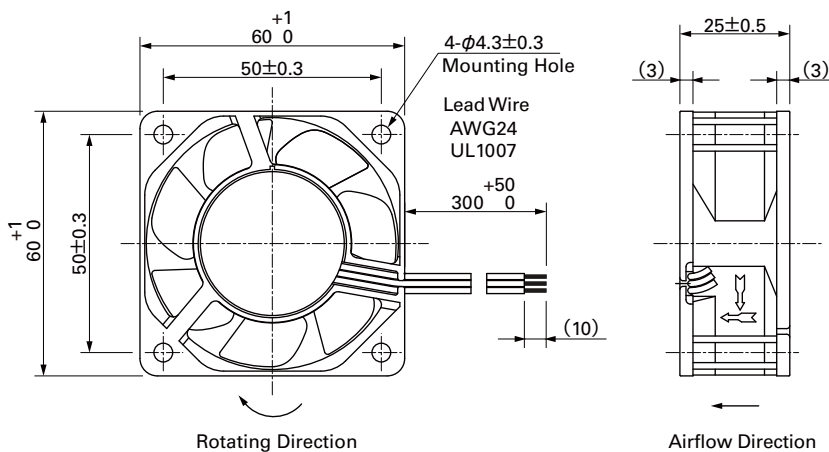
60×60×25mm (Mass : 90g) 9R type

Specifications The following nos. **have pulse sensors and ribs.** For ribless, append "1" to the model no.

Model No.	Rated Voltage [V]	Operating Voltage Range [V]	Rated Current [A]	Rated Input [W]	Rated Speed [min ⁻¹]	Max. Airflow [m ³ /min] [CFM]	Max. Static Pressure [Pa] [inchH ₂ O]	SPL [dB(A)]	Operating Temperature [°C]	Expected Life [h]		
109R0605H401	5	4.5 to 5.5	0.34	1.70	3,800	0.53 18.7	40.2 0.161	28	-20 to +70	60,000/60°C		
109R0605F401			0.20	1.00	3,200	0.44 15.5	29.4 0.118	24	-20 to +60			
109R0605M401			0.13	0.65	2,600	0.36 12.7	19.6 0.079	20	-20 to +70			
109R0612J401	12	10.8 to 13.2	0.47	5.64	7,600	1.06 37.1	155.0 0.622	44	-20 to +60	40,000/60°C		
109R0612G401		10.2 to 13.8	0.24	2.88	5,600	0.78 27.5	87.3 0.351	39	-20 to +70			
109R0612D401		6 to 13.8	0.17	2.04	4,600	0.65 23.0	56.8 0.228	33				
109R0612S401		0.11	1.32	3,800	0.53 18.7	40.1 0.161	28					
109R0612H401		7 to 13.8	0.09	1.08	3,200	0.44 15.5	29.4 0.118	24	-20 to +70			
109R0612F401		0.06	0.72	2,600	0.36 12.7	19.6 0.079	20					
109R0612M401		21.6 to 26.4	0.24	5.76	7,600	1.06 37.1	155.0 0.622	44			-20 to +60	
109R0624J401		24	20.4 to 27.6	0.13	3.12	5,600	0.78 27.5	87.3 0.351	39		-20 to +70	40,000/60°C
109R0624G401			12 to 27.6	0.12	2.88	5,150	0.72 25.4	73.5 0.295	37			
109R0624D401	0.08		1.92	4,600	0.65 23.0	56.8 0.228	33					
109R0624S401	0.06		1.44	3,800	0.53 18.7	40.2 0.161	28					
109R0624H401	0.05		1.20	3,200	0.44 15.5	29.4 0.118	24					
109R0624F401	14 to 27.6		0.04	0.96	2,600	0.36 12.7	19.6 0.079	20				
109R0624M401	43.2 to 52.8		0.12	5.76	7,600	1.06 37.1	155.0 0.622	44	-20 to +60	40,000/60°C		
109R0648J401	48	43 to 53	0.07	3.36	5,600	0.78 27.5	87.3 0.351	39				
109R0648G401		40 to 53	0.04	1.92	3,800	0.53 18.7	40.2 0.161	28	-20 to +70		60,000/60°C	
109R0648H401												

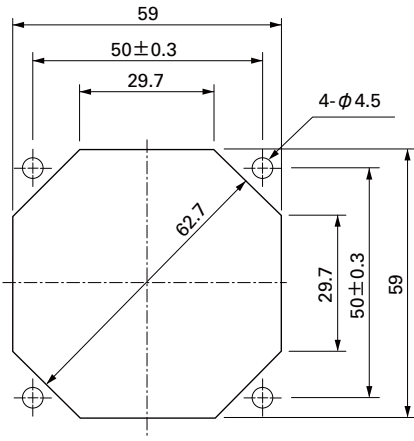
Other sensor specifications are available as options. Please refer to the index (pp. 498 to 499).

Dimensions (unit: mm) (With ribs)



Reference Dimensions of Mounting Holes and Vent Opening (unit: mm)

Inlet side, Outlet side

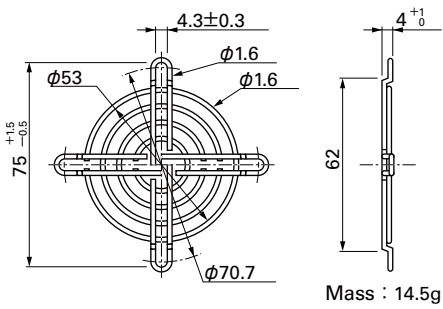


Options (unit: mm)

Finger Guards

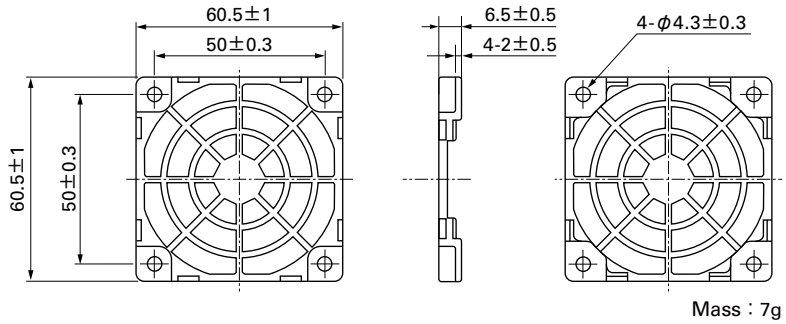
Model : 109-139E Surface treatment : Nickel-chrome plating (silver) Color : 109-139H : Cation electropainting (black)

Inlet side, Outlet side



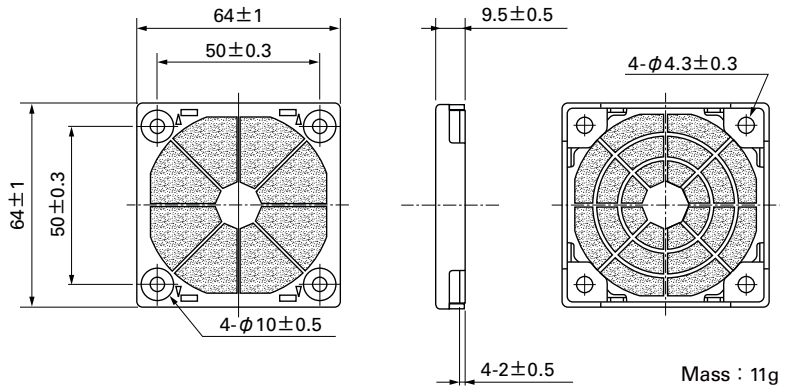
Resin Finger Guards

Model : 109-1003G



Resin Filter Kits

Model : 109-1003F13 (13PPI), 109-1003F20 (20PPI)
: 109-1003F30 (30PPI), 109-1003F40 (40PPI)

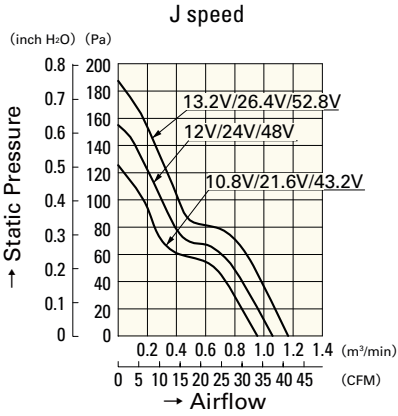


60mm sq.

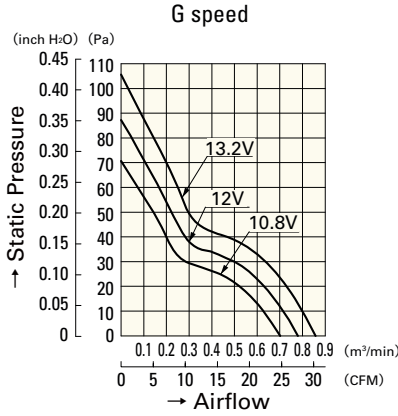
San Ace 60

60×60×25mm [Mass : 90g]

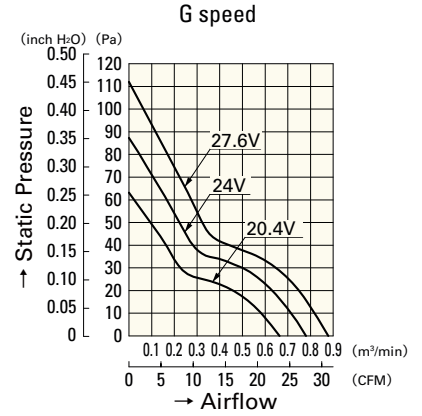
Airflow - Static Pressure Characteristics



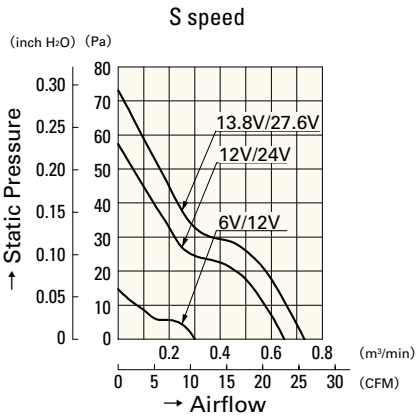
109R0612J401
109R0624J401
109R0648J401



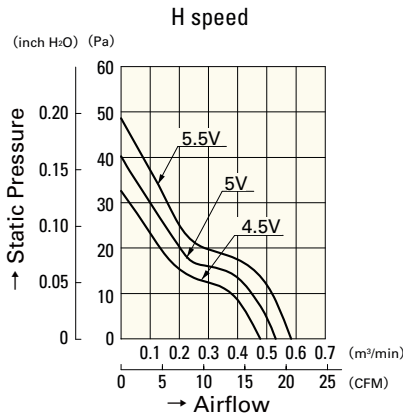
109R0612G401



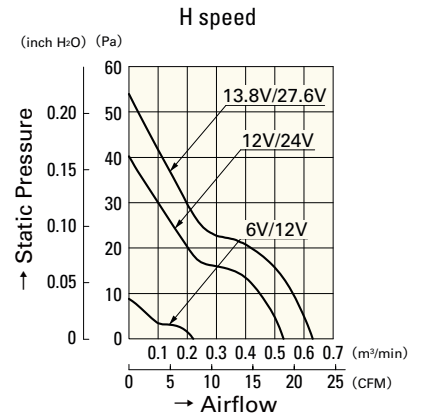
109R0624G401



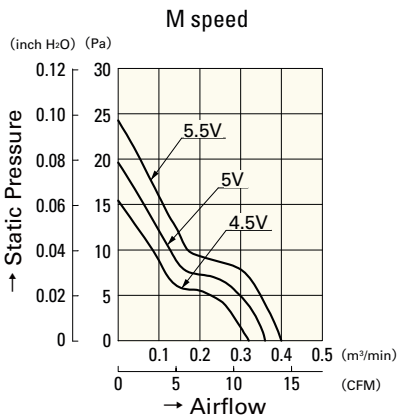
109R0612S401
109R0624S401



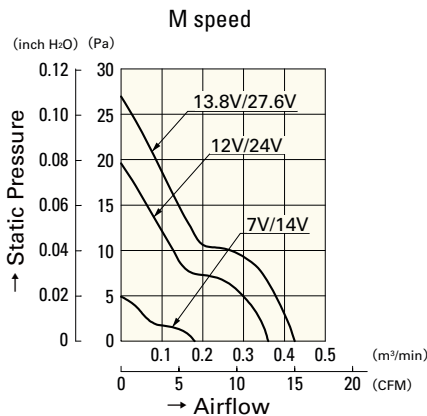
109R0605H401



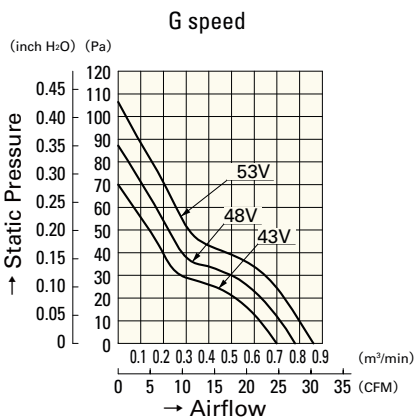
109R0612H401
109R0624H401



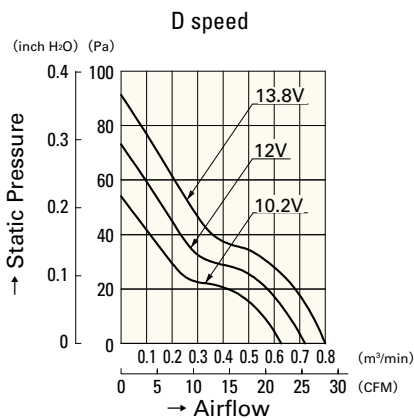
109R0605M401



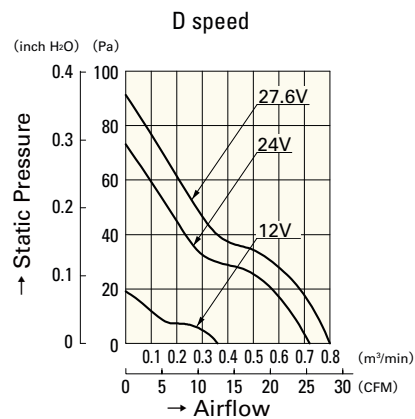
109R0612M401
109R0624M401



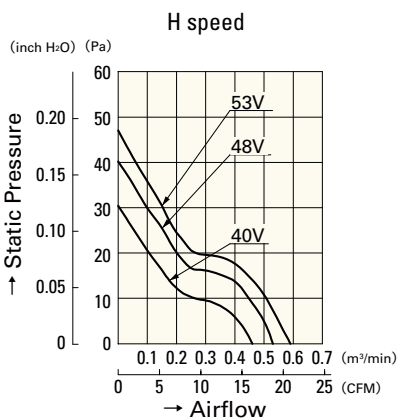
109R0648G401



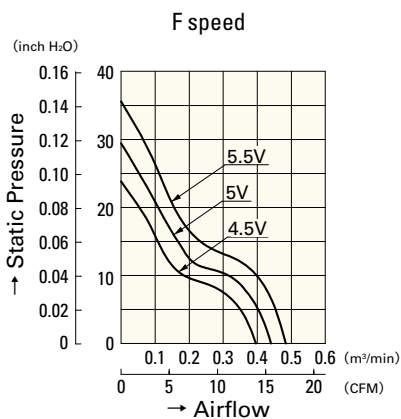
109R0612D401



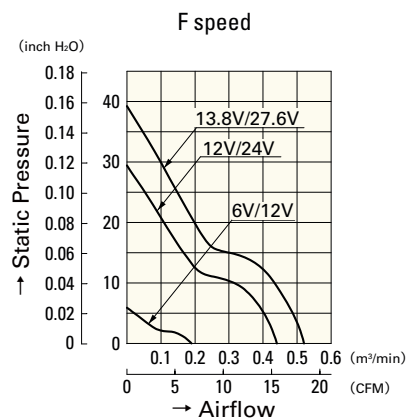
109R0624D401



109R0648H401



109R0605F401



109R0612F401

109R0624F401

60mm sq.

San Ace 60



General Specifications

- Material Frame: Plastics (Flammability: UL94V-0),
Impeller: Plastics (Flammability: UL94V-0)
- Expected Life Refer to specifications (L10:Survival rate:90% at 60°C ,
rated voltage, and continuously run in a free air state)
- Lead Wire ⊕red ⊖black or blue (Sensor) yellow
- Storage Temperature -30°C to +70°C (Non-condensing)

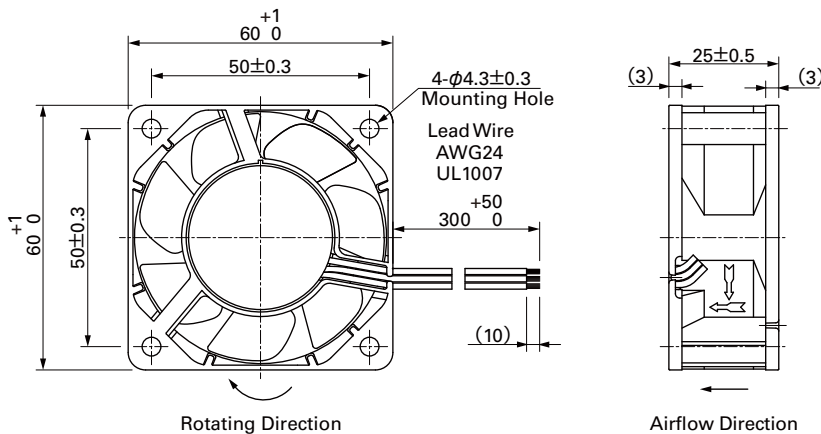
60×60×25mm (Mass : 80g) 9Atype San Cooler

Specifications The following nos. **have pulse sensors and ribs.** For ribless, append "1" to the model no.

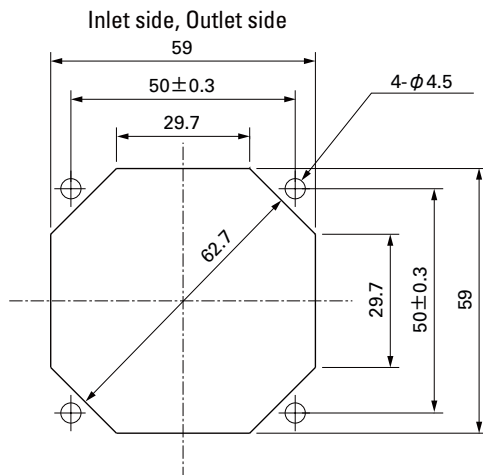
Model No.	Rated Voltage [V]	Operating Voltage Range [V]	Rated Current [A]	Rated Input [W]	Rated Speed [min ⁻¹]	Max. Airflow [m ³ /min] [CFM]	Max. Static Pressure [Pa] [inchH ₂ O]	SPL [dB(A)]	Operating Temperature [°C]	Expected Life [h]		
9A0612G401	12	6 to 13.2	0.24	2.88	5,600	0.78 27.6	87.3 0.351	39	-20 to +60	30,000/60°C		
9A0612S401			0.17	2.04	4,600	0.65 23.0	56.8 0.228	33				
9A0612H401		6 to 13.8	0.11	1.32	3,800	0.53 18.7	40.2 0.161	28			-20 to +70	40,000/60°C
9A0612F401			0.09	1.08	3,200	0.44 15.5	29.4 0.118	24				
9A0612M401			0.06	0.72	2,600	0.36 12.7	19.6 0.079	20				
9A0624G401	24	12 to 27.6	0.13	3.12	5,600	0.78 27.6	87.3 0.351	39	-20 to +60	30,000/60°C		
9A0624S401			0.08	1.92	4,600	0.65 23.0	56.8 0.228	33				
9A0624H401		12 to 27.6	0.06	1.44	3,800	0.53 18.7	40.2 0.161	28			-20 to +70	40,000/60°C
9A0624F401			0.05	1.2	3,200	0.44 15.5	29.4 0.118	24				
9A0624M401			0.04	0.96	2,600	0.36 12.7	19.6 0.079	20				

Other sensor specifications are available as options. Please refer to the index (pp. 499 to 500).

Dimensions (unit: mm) (With ribs)



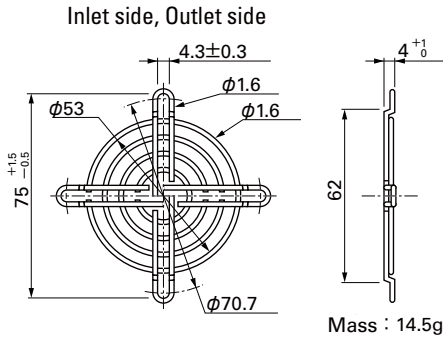
Reference Dimensions of Mounting Holes and Vent Opening (unit: mm)



Options (unit: mm)

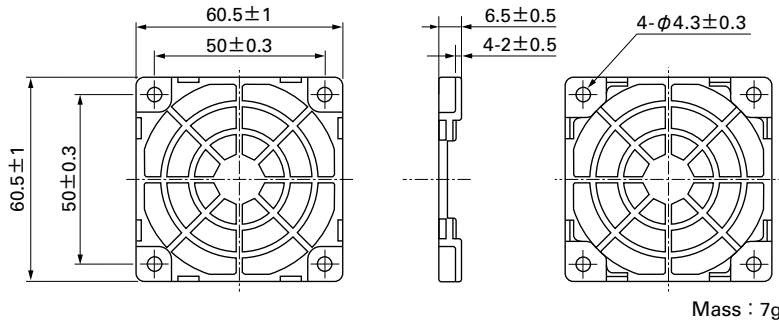
Finger Guards

Model : 109-139E Surface treatment : Nickel-chrome plating (silver) Color
 : 109-139H : Cation electropainting (black)



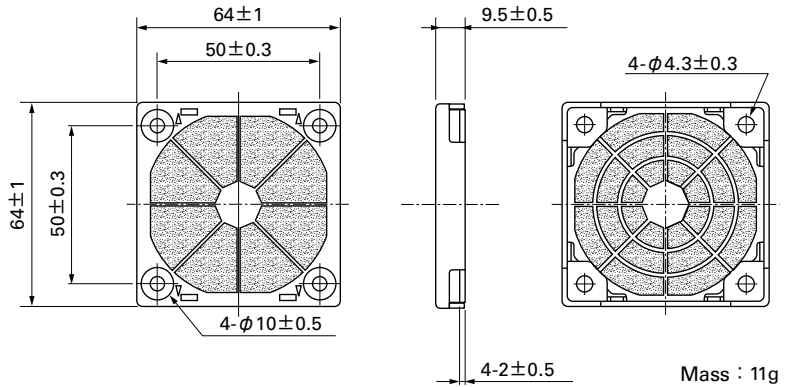
Resin Finger Guards

Model : 109-1003G

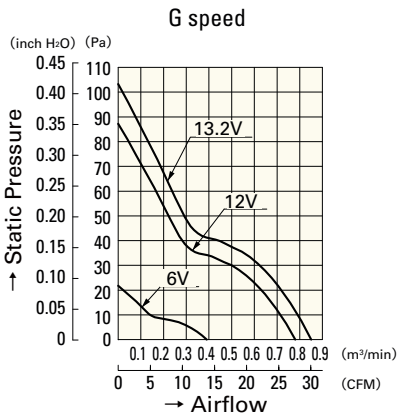


Resin Filter Kits

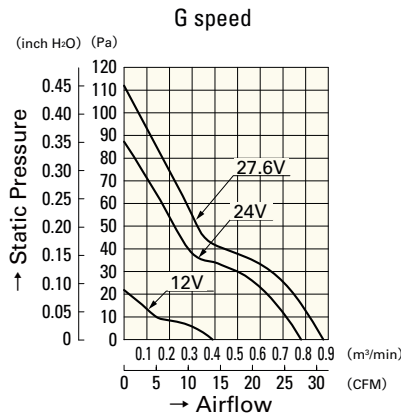
Model : 109-1003F13 (13PPI), 109-1003F20 (20PPI)
 : 109-1003F30 (30PPI), 109-1003F40 (40PPI)



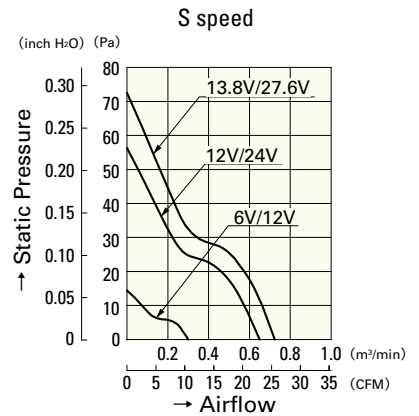
Airflow - Static Pressure Characteristics



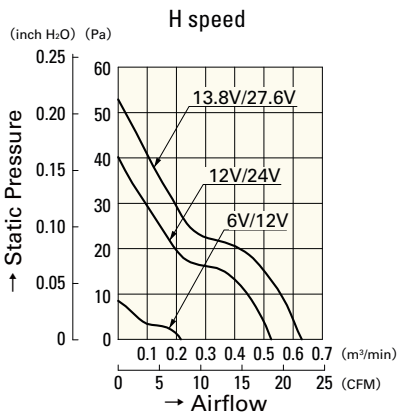
9A0612G401



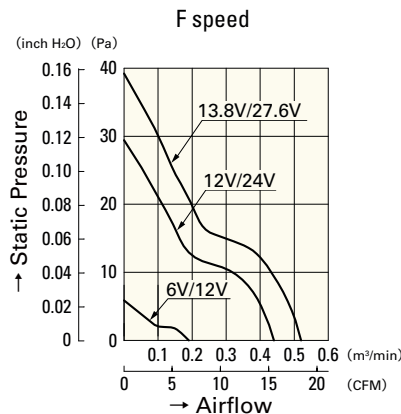
9A0624G401



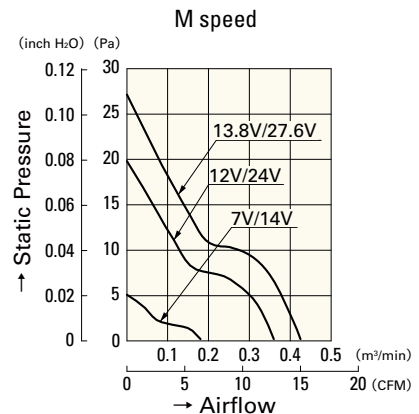
9A0612S401
9A0624S401



9A0612H401
9A0624H401



9A0612F401
9A0624F401



9A0612M401
9A0624M401

60mm sq.

San Ace 60



General Specifications

- Material Frame: Plastics (Flammability: UL94V-0),
Impeller: Plastics (Flammability: UL94V-0)
- Expected Life Refer to specifications (L10:Survival rate:90% at 60°C ,
rated voltage, and continuously run in a free air state)
- Lead Wire ⊕red ⊖black (Sensor) yellow (Control) brown
- Storage Temperature -30°C to +70°C (Non-condensing)

60×60×38mm [Mass : 135g] **9HV type**

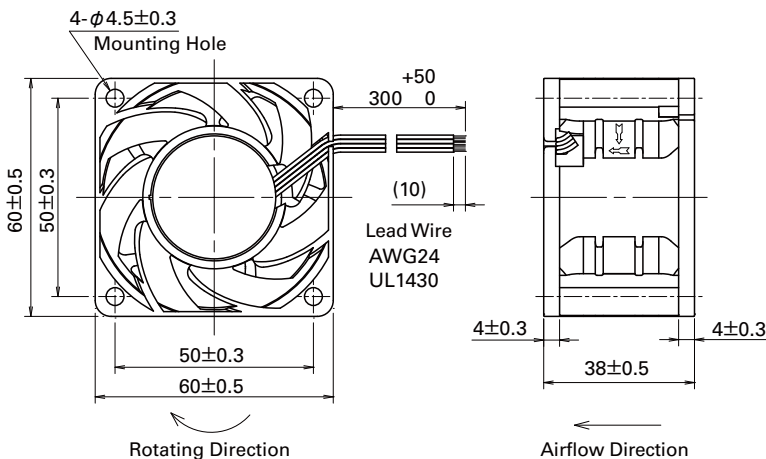
Specifications The following nos. **have PWM controls, pulse sensors, and ribs.** For ribless, append "1" to the model no.

Model No.	Rated Voltage [V]	Operating Voltage Range [V]	PWM duty cycle ^{*)} [%]	Rated Current [A]	Rated Input [W]	Rated Speed [min ⁻¹]	Max. Airflow [m ³ /min] [CFM]	Max. Static Pressure [Pa] [InchH ₂ O]	SPL [dB(A)]	Operating Temperature Range [°C]	Expected Life [h]
9HV0612P1J001	12	10.8 to 12.6	100	2.7	32.4	21,700	1.88 66.4	1,750 7.00	68	-20 to +70	40,000/60°C (70,000/40°C)
			20	0.17	2.04	5,300	0.43 15.2	102 0.41	34		

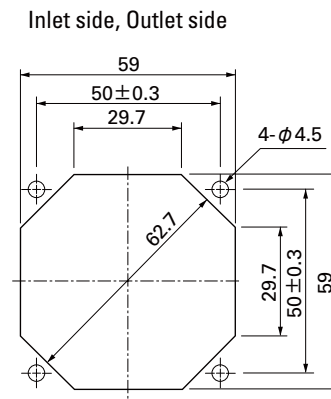
Note: Fan does not rotate when PWM duty cycle is 0%.

*)PWM Frequency : 25kHz

Dimensions (unit: mm) (With ribs)



Reference Dimensions of Mounting Holes and Vent Opening (unit: mm)

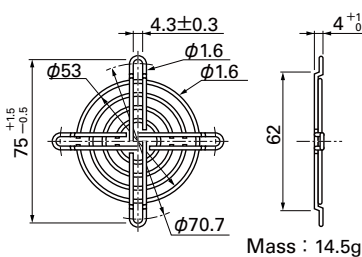


Options (unit: mm)

Finger Guards

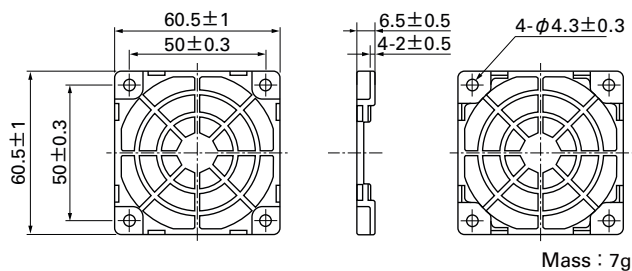
Model : 109-139E Surface treatment : Nickel-chrome plating (silver) Color
: 109-139H : Cation electropainting (black)

Inlet side, Outlet side



Resin Finger Guards

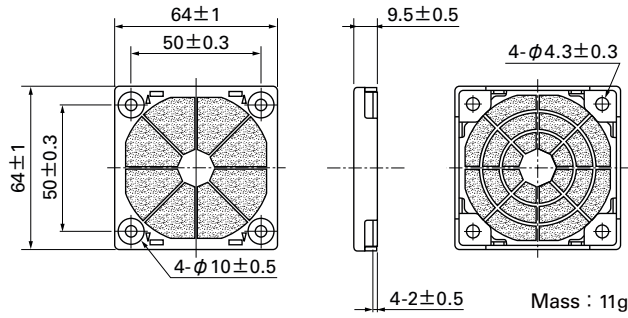
Model : 109-1003G



Options (unit: mm)

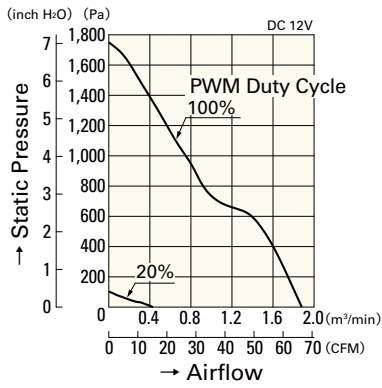
Resin Filter Kits

Model : 109-1003F13 (13PPI), 109-1003F20 (20PPI)
: 109-1003F30 (30PPI), 109-1003F40 (40PPI)



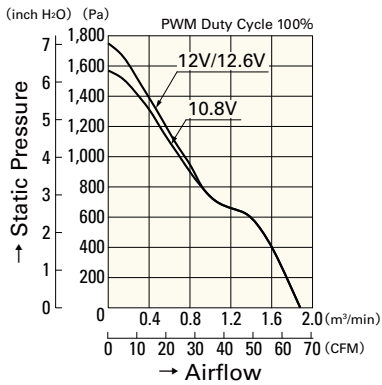
Airflow - Static Pressure Characteristics

PWM Duty Cycle



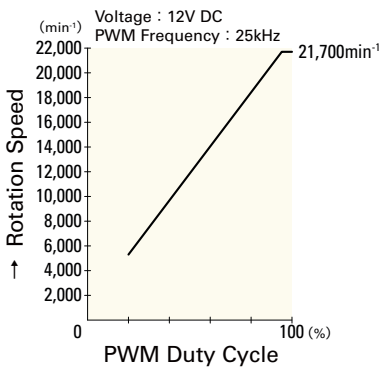
9HV0612P1J001

Operating Voltage Range



9HV0612P1J001

PWM Duty - Speed Characteristics Example



9HV0612P1J001

60mm sq.

San Ace 60



General Specifications

- Material Frame: Plastics (Flammability: UL94V-0),
Impeller: Plastics (Flammability: UL94V-0)
- Expected Life Refer to specifications (L10: Survival rate: 90% at 60°C ,
rated voltage, and continuously run in a free air state)
- Lead Wire ⊕red ⊖black (Sensor) yellow (Control) brown
- Storage Temperature -30°C to +70°C (Non-condensing)

60×60×38mm (Mass : 130g) 9GA type Low Power Consumption Fan



Specifications

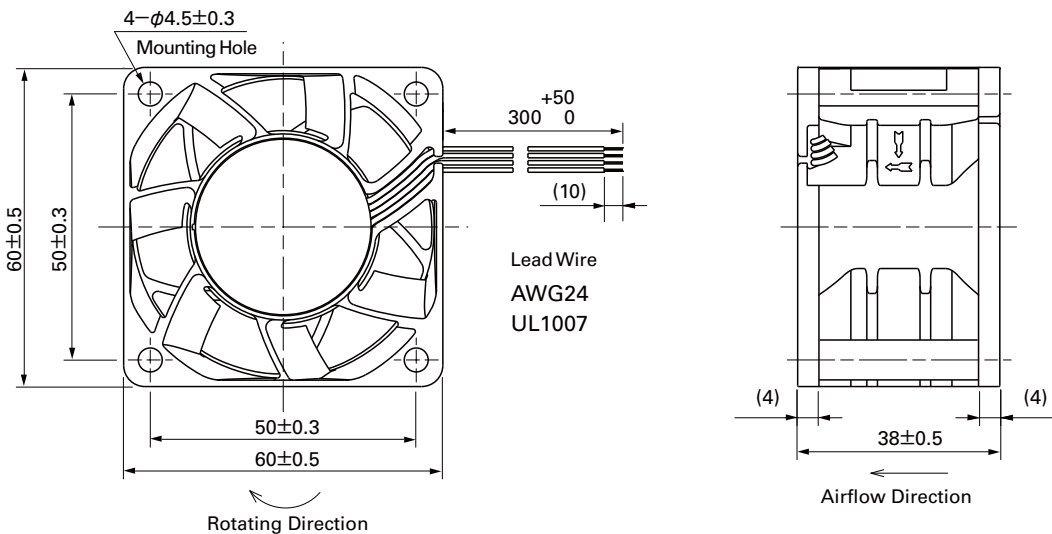
The following nos. **have PWM controls, pulse sensors, and ribs.** For ribless, append "1" to the model no.

Model No.	Rated Voltage [V]	Operating Voltage Range [V]	PWM duty cycle ^{*)} [%]	Rated Current [A]	Rated Input [W]	Rated Speed [min ⁻¹]	Max. Airflow [m ³ /min] [CFM]	Max. Static Pressure [Pa] [InchH ₂ O]	SPL [dB(A)]	Operating Temperature [°C]	Expected Life [h]	
9GA0612P1J03	12	10.8 to 12.6	100	1.50	18.00	17,500	1.75 62	820 3.3	63	-20 to +60	40,000/60°C (70,000/40°C)	
			20	0.10	1.20	4,000	0.40 14	43 0.17	24			
9GA0612P1K03		10.8 to 13.2	100	0.95	11.40	14,800	1.50 53	600 2.4	59	-20 to +70		
			20	0.10	1.20	4,000	0.40 14	43 0.17	24			
9GA0612P1H03		10.8 to 13.2	10.8 to 13.2	100	0.55	6.60	11,500	1.15 40	375 1.5	52		-20 to +60
				20	0.06	0.72	2,600	0.27 9.5	20 0.08	19		
9GA0612P1K60	10.8 to 13.2	10.8 to 13.2	100	0.95	11.40	14,800	1.50 53	675 2.7	59	-20 to +60		
			0	0.05	0.60	1,480	0.134 4.7	8.3 0.03	16			
9GA0624P1J03	24	21.6 to 25.2	100	0.75	18.00	17,500	1.75 62	820 3.3	63	-20 to +60		
			20	0.10	2.40	6,200	0.63 22	104 0.42	35			
9GA0624P1K03		21.6 to 26.4	100	0.5	12	14,800	1.5 53.0	600 2.4	59	-20 to +70		
			20	0.06	1.44	5,000	0.5 17.7	70 0.28	28			

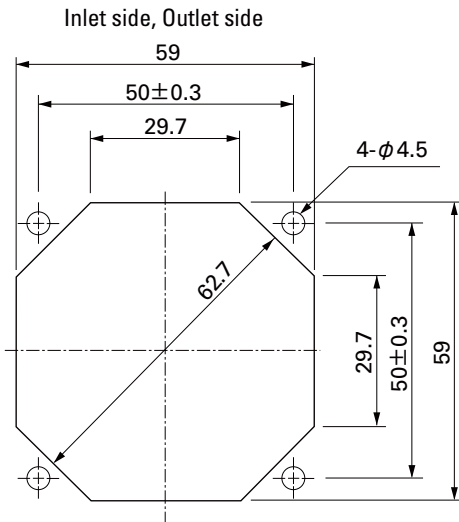
Note: 9GA0612P1J03, 9GA0612P1K03, 9GA0612P1H03, 9GA0624P1J03, 9GA0624P1K03 does not rotate when PWM duty cycle is 0%. *PWM Frequency : 25kHz

Other sensor specifications are available as options. Please refer to the index (p. 505).

Dimensions (unit: mm) (With ribs)



Reference Dimensions of Mounting Holes and Vent Opening (unit: mm)

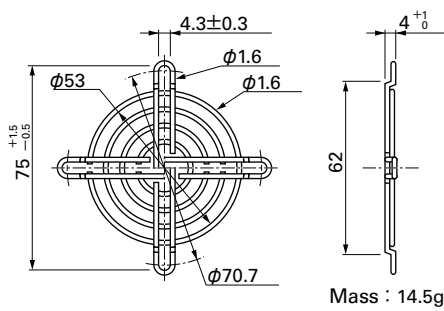


Options (unit: mm)

Finger Guards

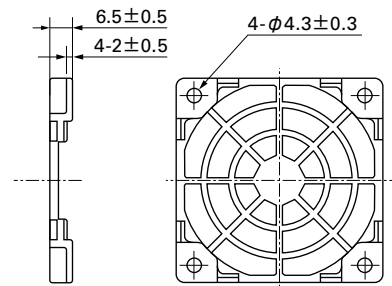
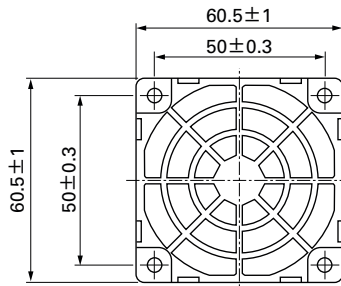
Model : 109-139E Surface treatment : Nickel-chrome plating (silver) Color : 109-139H : Cation electropainting (black)

Inlet side, Outlet side



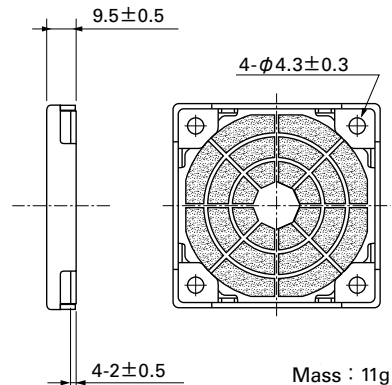
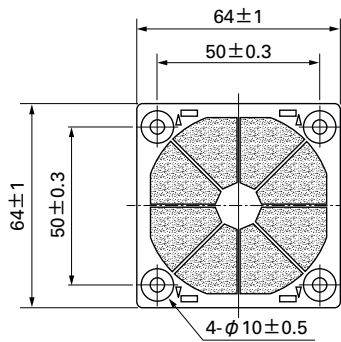
Resin Finger Guards

Model : 109-1003G



Resin Filter Kits

Model : 109-1003F13 (13PPI), 109-1003F20 (20PPI)
: 109-1003F30 (30PPI), 109-1003F40 (40PPI)



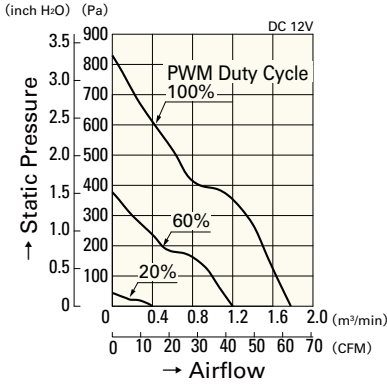
60mm sq.

San Ace 60

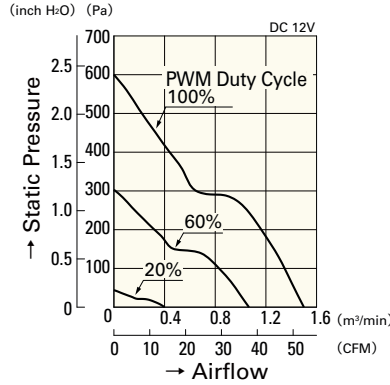
60×60×38mm [Mass : 130g]

Airflow - Static Pressure Characteristics

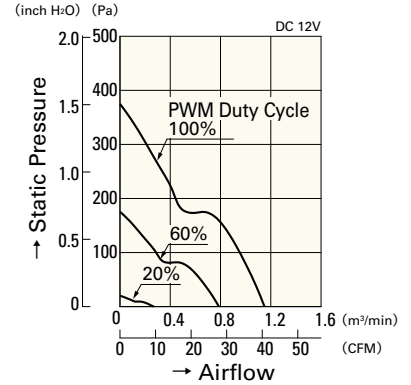
PWM Duty Cycle



9GA0612P1J03

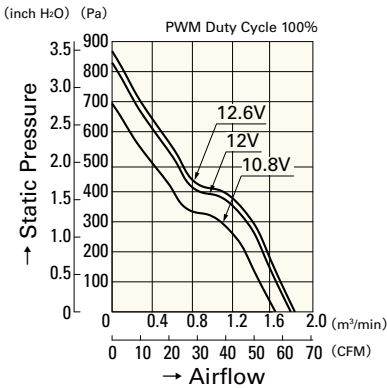


9GA0612P1K03

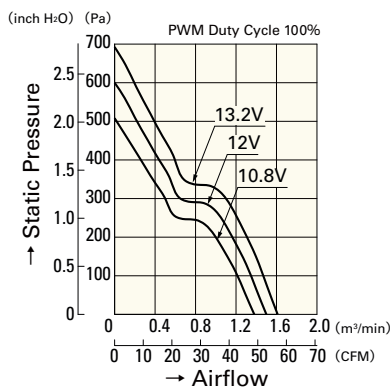


9GA0612P1H03

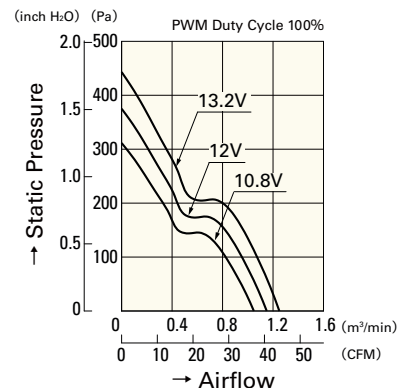
Operating Voltage Range



9GA0612P1J03

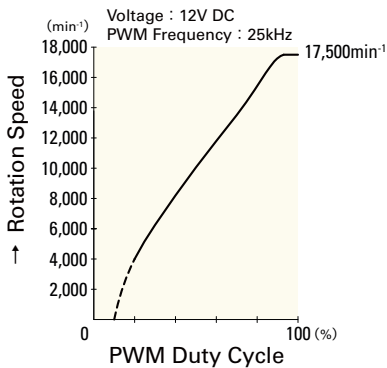


9GA0612P1K03

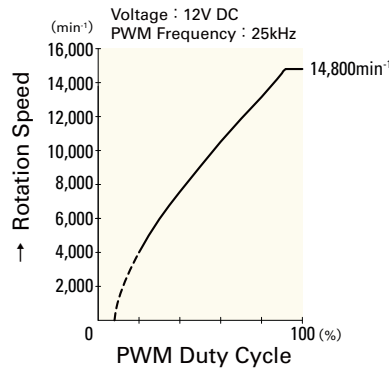


9GA0612P1H03

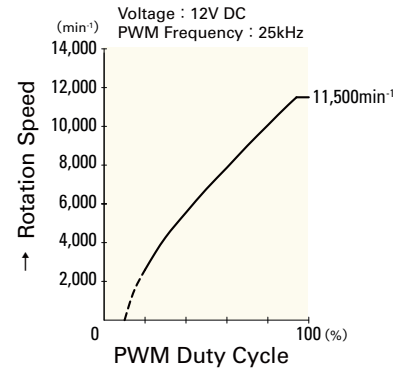
PWM Duty - Speed Characteristics Example



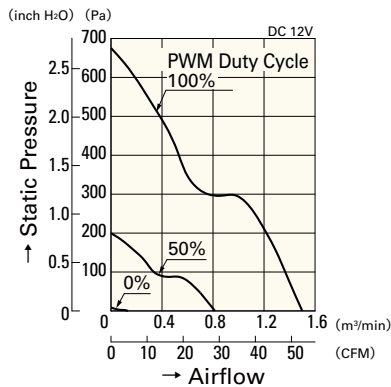
9GA0612P1J03



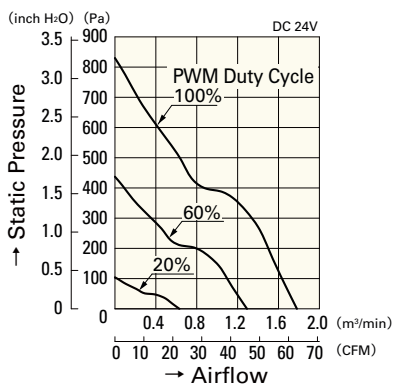
9GA0612P1K03



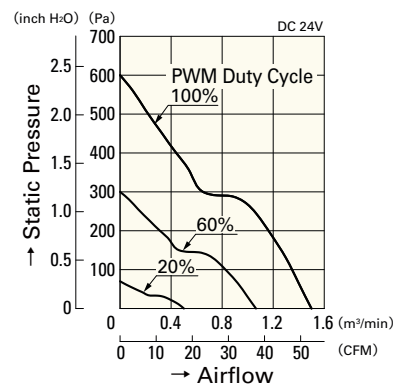
9GA0612P1H03



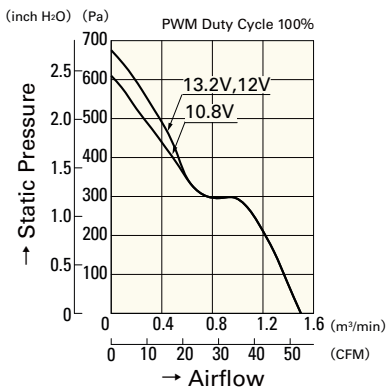
9GA0612P1K60



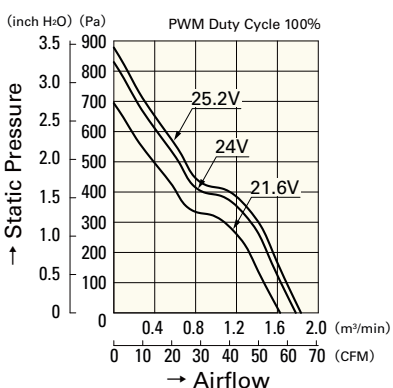
9GA0624P1J03



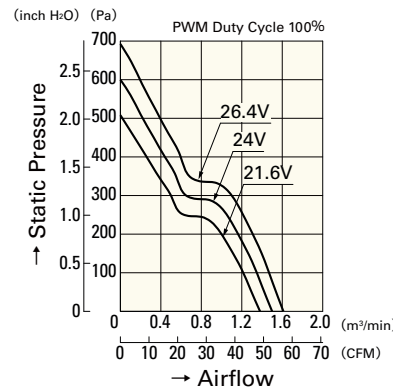
9GA0624P1K03



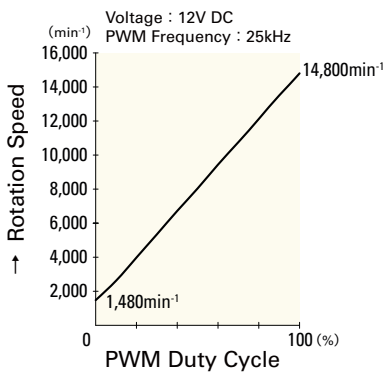
9GA0612P1K60



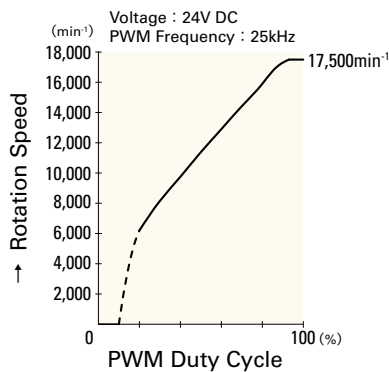
9GA0624P1J03



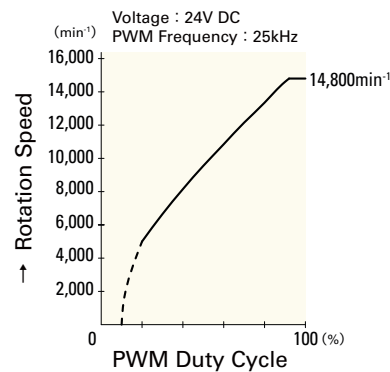
9GA0624P1K03



9GA0612P1K60



9GA0624P1J03



9GA0624P1K03

60mm sq.

San Ace 60



General Specifications

- Material Frame: Plastics (Flammability: UL94V-0),
Impeller: Plastics (Flammability: UL94V-1)
- Expected Life Refer to specifications (L10:Survival rate:90% at 60°C ,
rated voltage, and continuously run in a free air state)
- Lead Wire ⊕red ⊖black (Sensor) yellow (Control) brown
- Storage Temperature -30°C to +70°C (Non-condensing)

60×60×38mm (Mass : 130g) 9GV type

Specifications The following nos. **have PWM controls, pulse sensors, and ribs.** For ribless, append "1" to the model no.

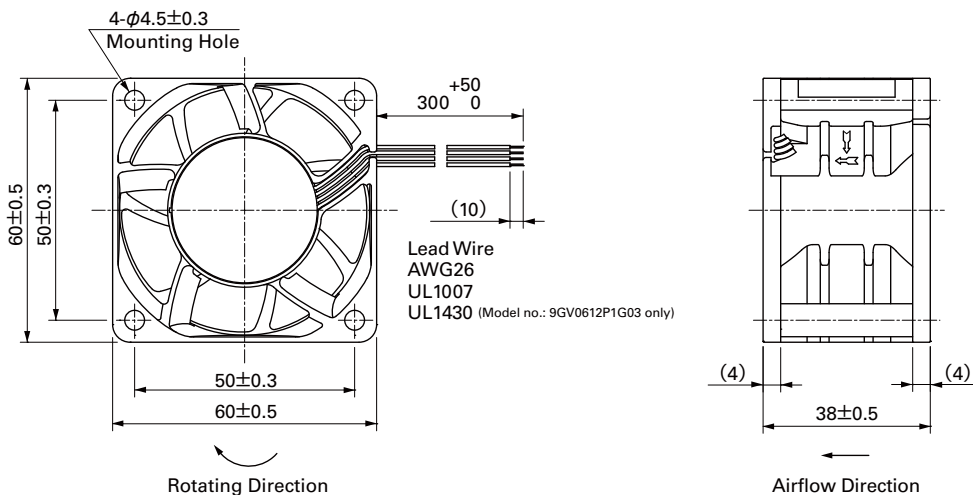
Model No.	Rated Voltage [V]	Operating Voltage Range [V]	PWM duty cycle* [%]	Rated Current [A]	Rated Input [W]	Rated Speed [min ⁻¹]	Max. Airflow [m ³ /min] [CFM]	Max. Static Pressure [Pa] [InchH ₂ O]	SPL [dB(A)]	Operating Temperature Range [°C]	Expected Life [h]
9GV0612P1G03	12	8.0 to 13.8	100	2.8	33.6	16,000	2.37 84	751 3.02	66	-20 to +70	40,000/60°C
			0	0.12	1.5	3,100	0.44 15	26 0.10	25		
100			2.0	24.0	14,500	2.15 76	617 2.48	63			
0			0.1	1.2	2,700	0.40 14	21 0.09	22			
9GV0612P1M03		10.8 to 13.8	100	1.5	18.0	13,000	1.93 68	496 1.99	60		
0			0.08	1.0	2,500	0.38 13	18 0.07	19			
9GV0612P1L01 <small>(Note)</small>	24	20.4 to 27.6	100	1.4	33.6	16,000	2.37 84	751 3.02	66		
0			0.12	2.88	6,000	0.89 31	105 0.42	38			
9GV0624P1M03 <small>(Note)</small>			100	0.73	17.52	13,000	1.93 68.0	496 1.99	60		
0			0.08	3.84	6,000	0.89 31	105 0.42	38			
9GV0648P1H03	48	38 to 57	100	0.5	24	14,500	2.15 76	617 2.48	63		
			0	0.08	3.84	6,000	0.89 31	105 0.42	38		

Note : Fan does not rotate when PWM duty cycle is 0%.

※PWM Frequency : 25kHz

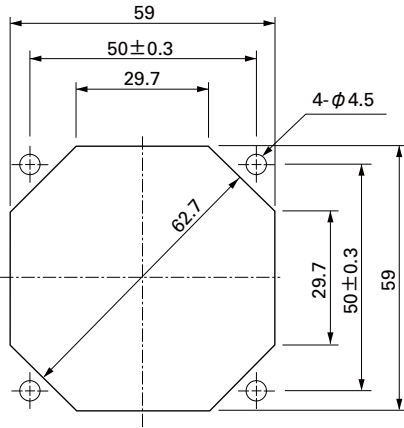
Other sensor specifications are available as options. Please refer to the index (p. 507).

Dimensions (unit: mm) (With ribs)



Reference Dimensions of Mounting Holes and Vent Opening (unit: mm)

Inlet side, Outlet side



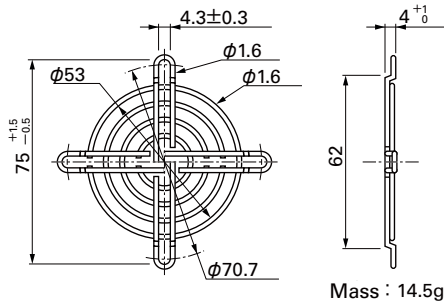
Options (unit: mm)

Finger Guards

Model : 109-139E Surface treatment : Nickel-chrome plating (silver)
 : 109-139H : Cation electropainting (black)

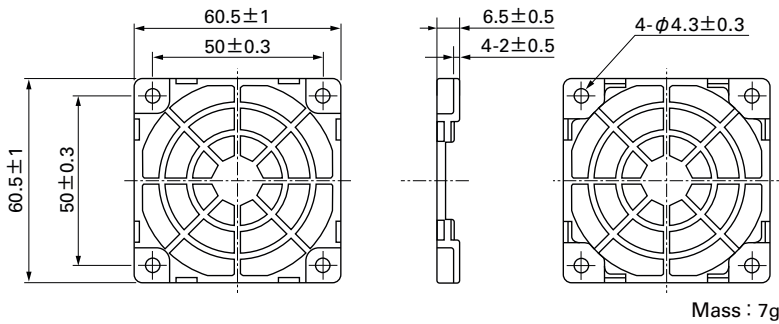
Color

Inlet side, Outlet side



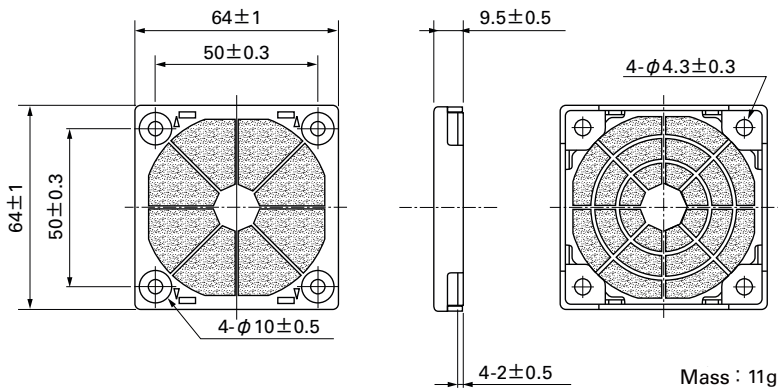
Resin Finger Guards

Model : 109-1003G



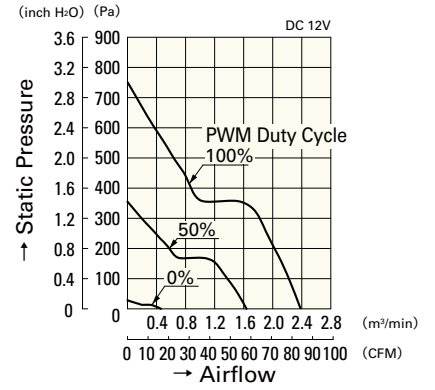
Resin Filter Kits

Model : 109-1003F13 (13PPI), 109-1003F20 (20PPI)
 : 109-1003F30 (30PPI), 109-1003F40 (40PPI)



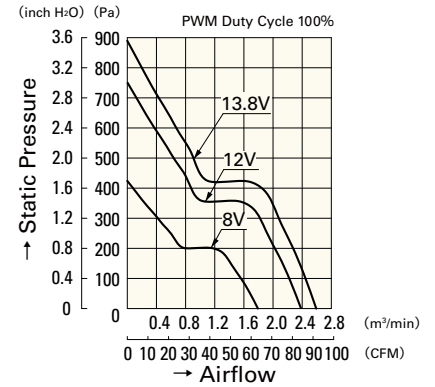
Airflow - Static Pressure Characteristics

PWM Duty Cycle



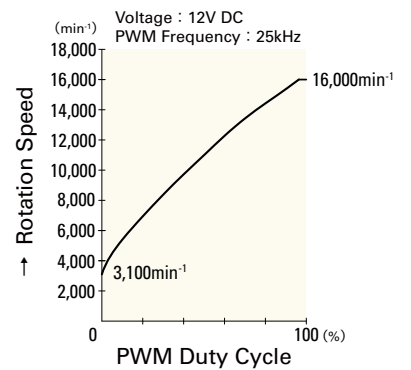
9GV0612P1G03

Operating Voltage Range



9GV0612P1G03

PWM Duty - Speed Characteristics Example



9GV0612P1G03

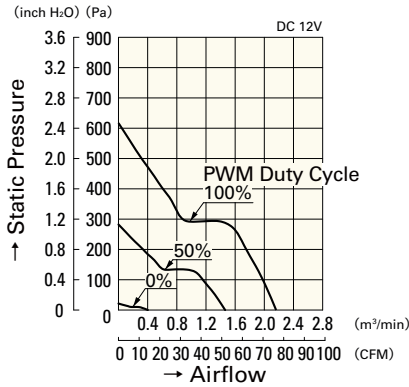
60mm sq.

San Ace 60

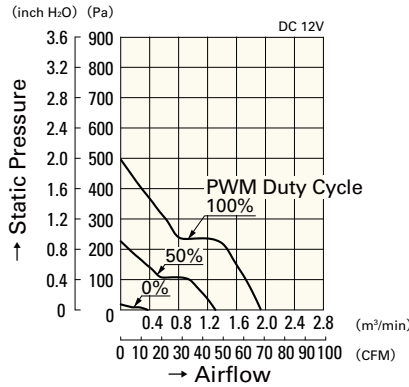
60×60×38mm [Mass : 130g]

Airflow - Static Pressure Characteristics

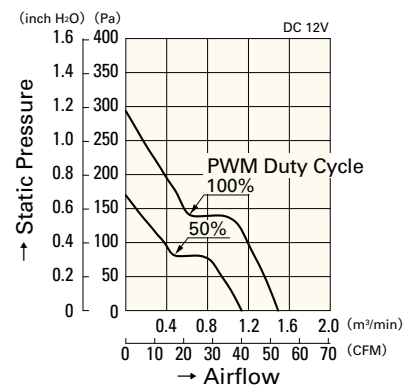
PWM Duty Cycle



9GV0612P1H03

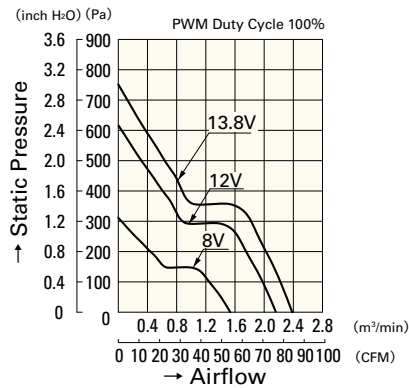


9GV0612P1M03

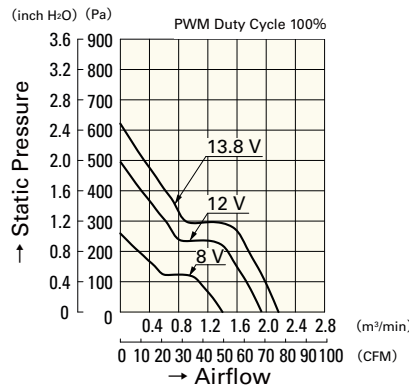


9GV0612P1L01

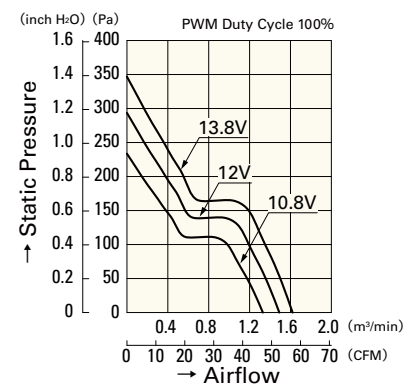
Operating Voltage Range



9GV0612P1H03

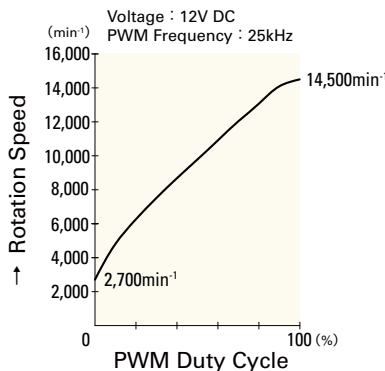


9GV0612P1M03

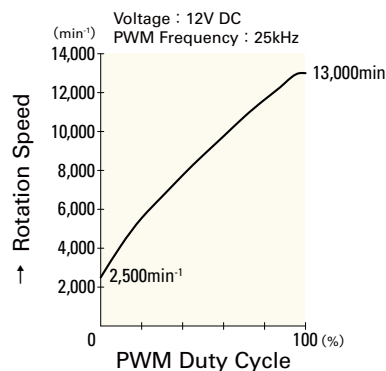


9GV0612P1L01

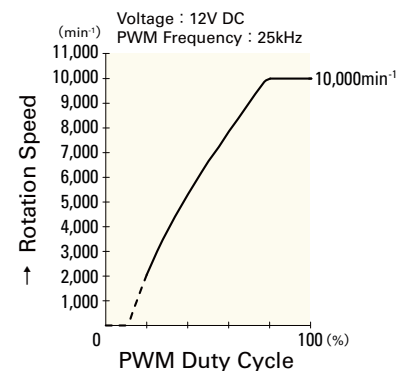
PWM Duty - Speed Characteristics Example



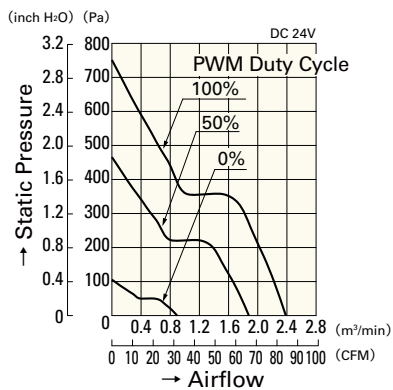
9GV0612P1H03



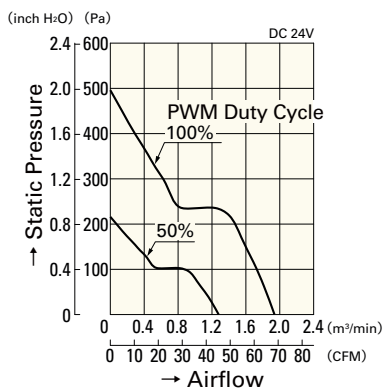
9GV0612P1M03



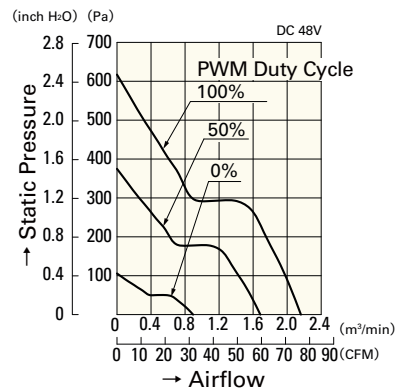
9GV0612P1L01



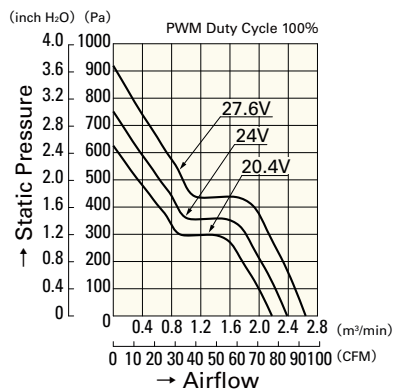
9GV0624P1G03



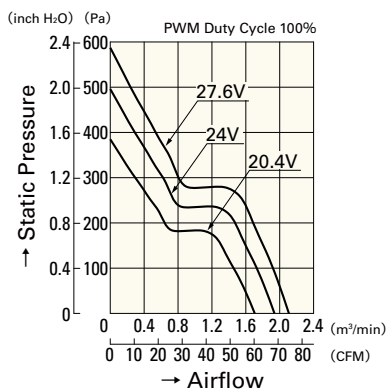
9GV0624P1M03



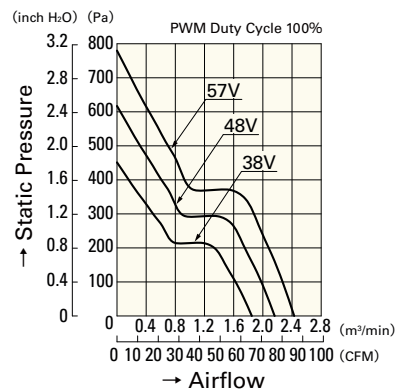
9GV0648P1H03



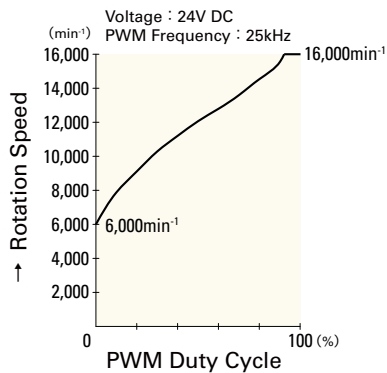
9GV0624P1G03



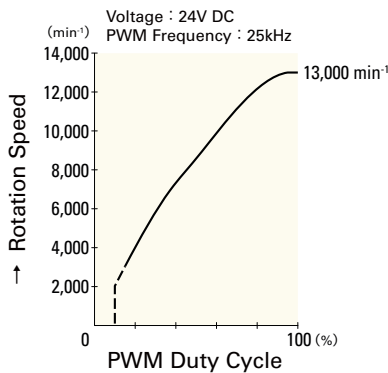
9GV0624P1M03



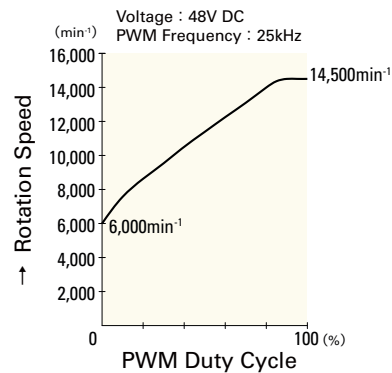
9GV0648P1H03



9GV0624P1G03



9GV0624P1M03



9GV0648P1H03

60mm sq.

San Ace 60



(Ribless model depicted)



General Specifications

- Material Frame: Plastics (Flammability: UL94V-0),
Impeller: Plastics (Flammability: UL94V-0)
- Expected Life Refer to specifications (L10:Survival rate:90% at 60°C ,
rated voltage, and continuously run in a free air state)
- Lead Wire ⊕red ⊖black (Sensor) yellow
- Storage Temperature -30°C to +70°C (Non-condensing)

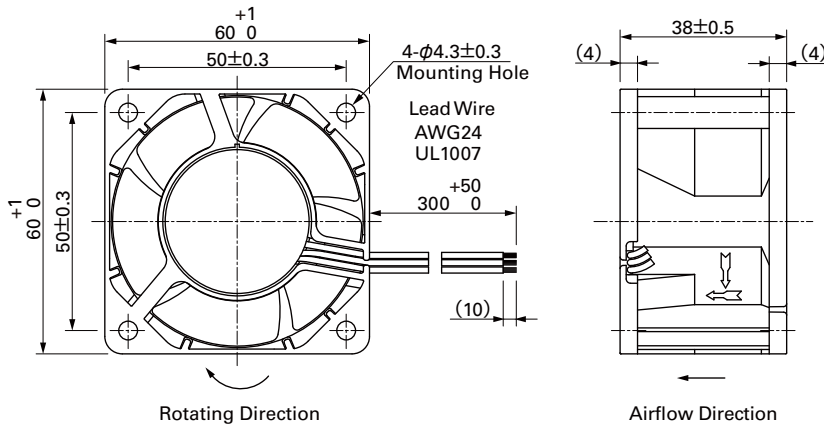
60×60×38mm [Mass : 110g] **9G type**

Specifications The following nos. **have pulse sensors and ribs.** For ribless, append "1" to the model no.

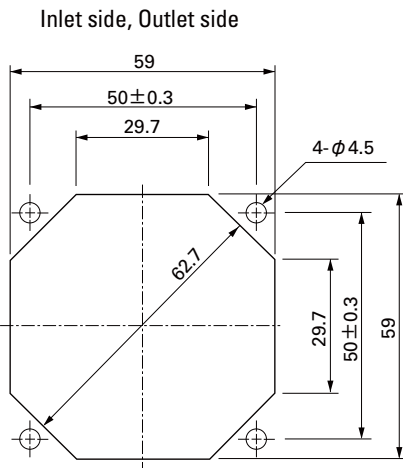
Model No.	Rated Voltage [V]	Operating Voltage Range [V]	Rated Current [A]	Rated Input [W]	Rated Speed [min ⁻¹]	Max. Airflow [m ³ /min] [CFM]	Max. Static Pressure [Pa] [inchH ₂ O]	SPL [dB(A)]	Operating Temperature [°C]	Expected Life [h]
9G0612G101	12	7.0 to 13.8	1.54	18.5	11,800	1.84 65	435 1.747	58	-20 to +70	40,000/60°C
9G0612S101			1.36	16.3	10,800	1.70 60	370 1.486	56		
9G0624G101	24	14.0 to 27.6	0.85	20.4	11,800	1.84 65	435 1.747	58		
9G0624S101			0.70	16.8	10,800	1.70 60	370 1.486	56		
9G0624H101	48	28 to 55.2	0.57	13.68	9,800	1.54 54.4	304.6 1.223	54		
9G0648G101			0.35	16.8	11,800	1.84 65	435 1.747	58		
9G0648S101	0.29	13.9	10,800	1.70 60	370 1.486	56				

Other sensor specifications are available as options. Please refer to the index (pp. 501 to 502).

Dimensions (unit: mm) (With ribs)



Reference Dimensions of Mounting Holes and Vent Opening (unit: mm)

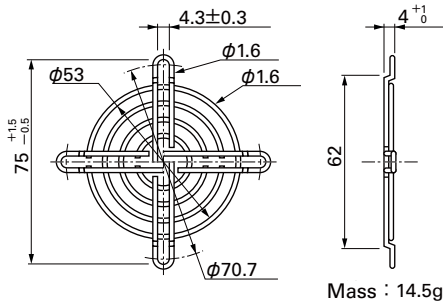


Options (unit: mm)

Finger Guards

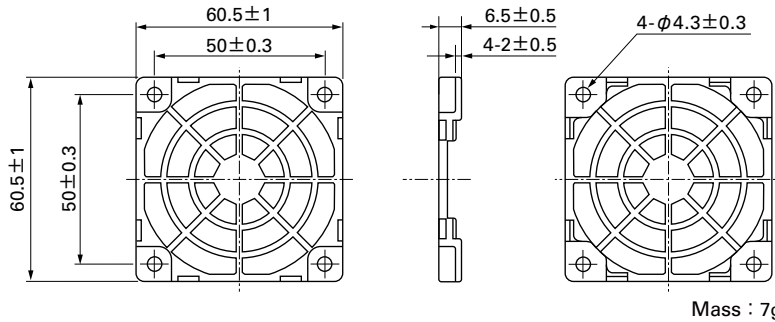
Model : 109-139E Surface treatment : Nickel-chrome plating (silver) Color
 : 109-139H : Cation electropainting (black)

Inlet side, Outlet side



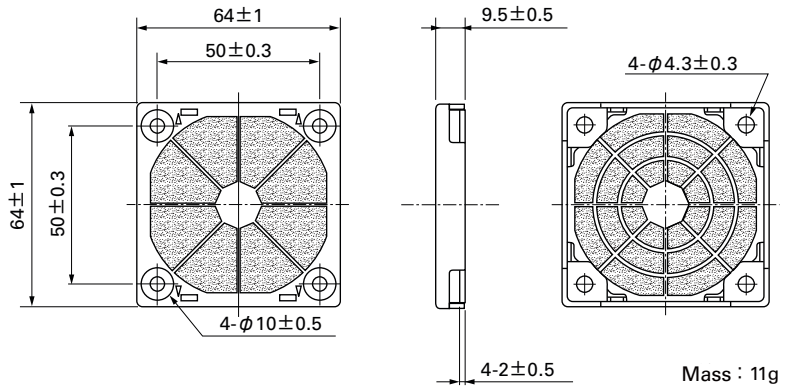
Resin Finger Guards

Model : 109-1003G

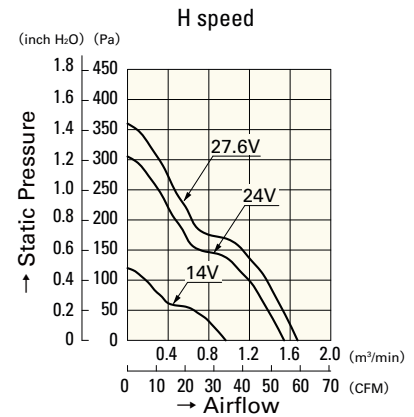
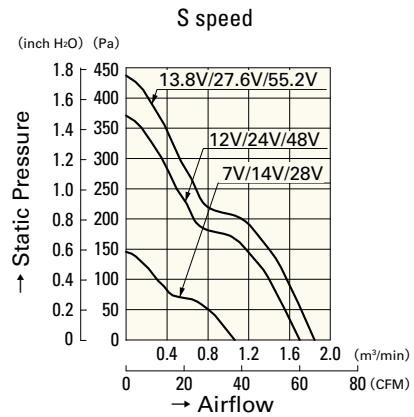
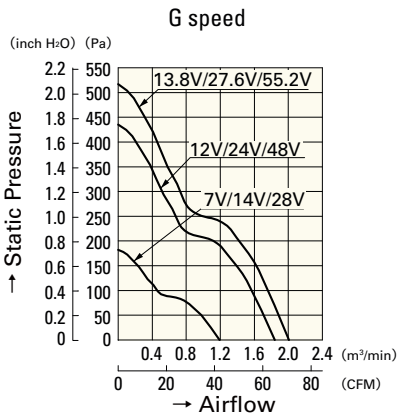


Resin Filter Kits

Model : 109-1003F13 (13PPI), 109-1003F20 (20PPI)
 : 109-1003F30 (30PPI), 109-1003F40 (40PPI)



Airflow - Static Pressure Characteristics



- 9G0612G101
- 9G0624G101
- 9G0648G101

- 9G0612S101
- 9G0624S101
- 9G0648S101

- 9G0624H101

70mm sq.

San Ace 70



General Specifications

- Material Frame: Plastics (Flammability: UL94V-0),
Impeller: Plastics (Flammability: UL94V-0)
- Expected Life Refer to specifications (L10: Survival rate: 90% at 60°C ,
rated voltage, and continuously run in a free air state)
- Lead Wire ⊕red ⊖black (Sensor) yellow (Control) brown
- Storage Temperature -30°C to +70°C (Non-condensing)

70×70×38mm (Mass : 170g) **9GA**type **Low Power Consumption Fan**



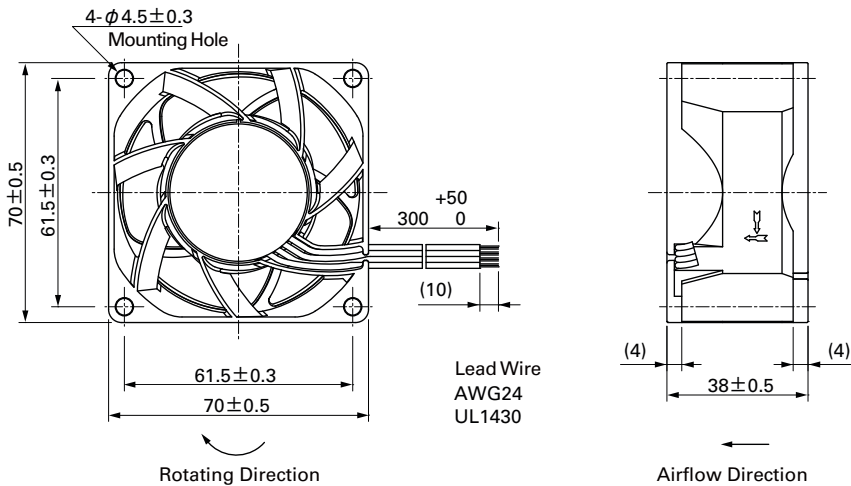
Specifications

The following nos. **have PWM controls, pulse sensors, and ribs.** For ribless, append "1" to the model no.

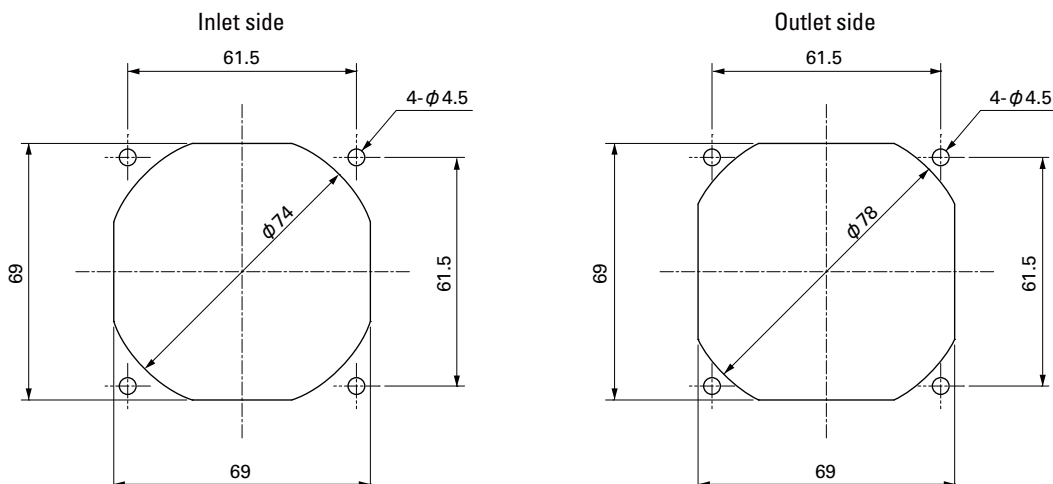
Model No.	Rated Voltage [V]	Operating Voltage Range [V]	PWM duty cycle* [%]	Rated Current [A]	Rated Input [W]	Rated Speed [min ⁻¹]	Max. Airflow [m ³ /min] [CFM]	Max. Static Pressure [Pa] [inchH ₂ O]	SPL [dB(A)]	Operating Temperature [°C]	Expected Life [h]
9GA0712P1G001	12	10.8 to 13.2	100	2.6	31.2	16,500	2.65 93.6	860 3.45	65	-20 to +70	40,000/60°C (70,000/40°C)
			0	0.16	1.92	4,400	0.70 24.7	61 0.24	30		
9GA0712P1H001	12	10.8 to 13.2	100	1.1	13.2	12,000	1.92 67.8	455 1.83	57		
			0	0.07	0.84	2,500	0.40 14.1	20 0.08	19		

※PWM Frequency : 25kHz

Dimensions (unit: mm) (With ribs)



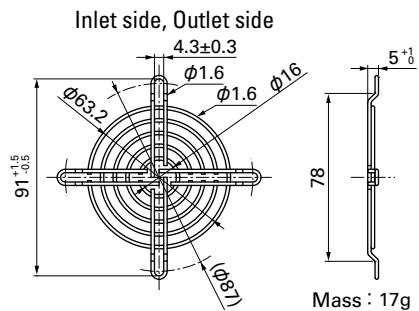
Reference Dimensions of Mounting Holes and Vent Opening (unit: mm)



Options (unit: mm)

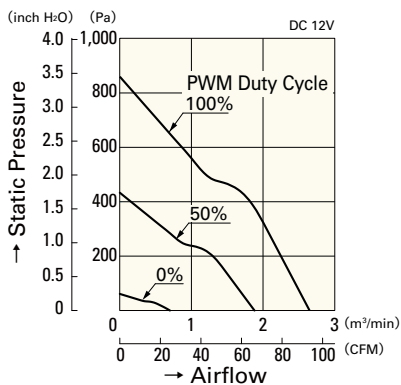
Finger Guards

Model : 109-1128 Surface treatment : Nickel-chrome plating (silver) Color

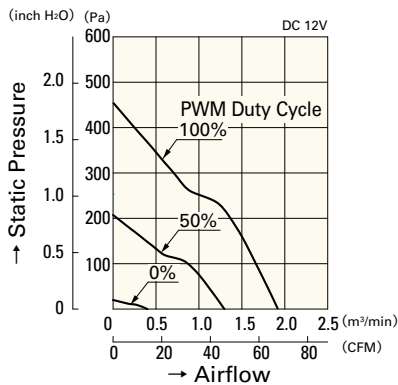


Airflow - Static Pressure Characteristics

PWM Duty Cycle

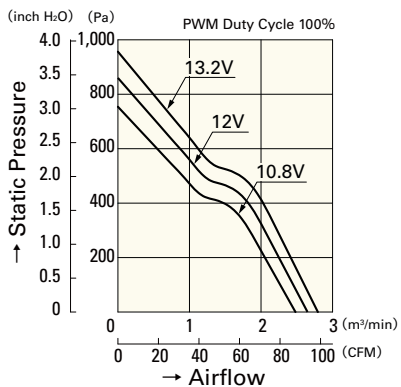


9GA0712P1G001

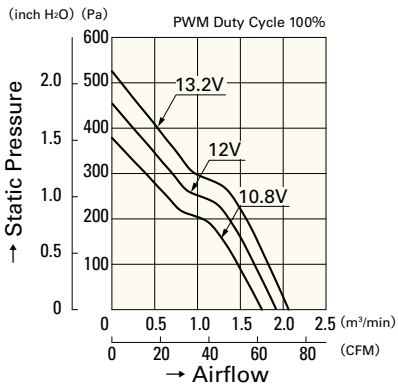


9GA0712P1H001

Operating Voltage Range

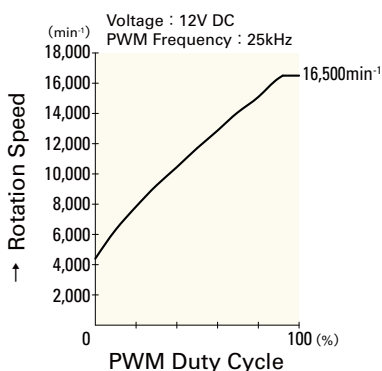


9GA0712P1G001

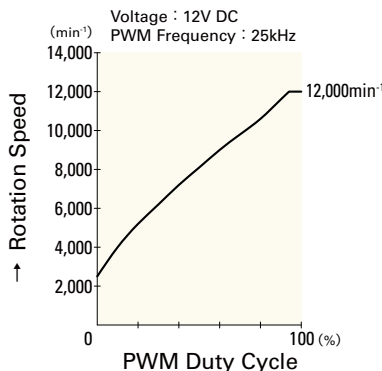


9GA0712P1H001

PWM Duty - Speed Characteristics Example



9GA0712P1G001



9GA0712P1H001

80mm sq.

San Ace 80



Model no. 9GA0812H7001 is not certified.

General Specifications

- Material Frame: Plastics (Flammability: UL94V-0),
Impeller: Plastics (Flammability: UL94V-0)
- Expected Life Refer to specifications (L10: Survival rate: 90% at 60°C ,
rated voltage, and continuously run in a free air state)
- Lead Wire ⊕red ⊖black (Sensor) yellow (Control) brown
(For models without PWM control function, there is no
speed control wiring.)
- Storage Temperature ... -30°C to +70°C (Non-condensing)

80×80×15mm (Mass : 65g) **9GA**type **Low Power Consumption Fan**

Specifications

The following nos. **have PWM controls, pulse sensors, and ribs.**

Model No.	Rated Voltage [V]	Operating Voltage Range [V]	PWM duty cycle ^{Note①} [%]	Rated Current [A]	Rated Input [W]	Rated Speed [min ⁻¹]	Max. Airflow [m ³ /min] [CFM]	Max. Static Pressure [Pa] [inchH ₂ O]	SPL [dB(A)]	Operating Temperature [°C]	Expected Life [h]
9GA0812P7G001	12	10.2 to 13.8	100	0.29	3.48	6,100	1.44 50.9	84.0 0.34	41	-20 to +70	40,000/60°C (70,000/40°C)
9GA0812P7S001			100	0.17	2.04	5,000	1.18 41.7	56.4 0.23	37		
9GA0824P7G001	24	20.4 to 27.6	100	0.13	3.12	6,100	1.44 50.9	84.0 0.34	41		
9GA0824P7S001			100	0.08	1.92	5,000	1.18 41.7	56.4 0.23	37		

Note: Fan does not rotate when PWM duty cycle is 0%.

※PWM Frequency : 25kHz

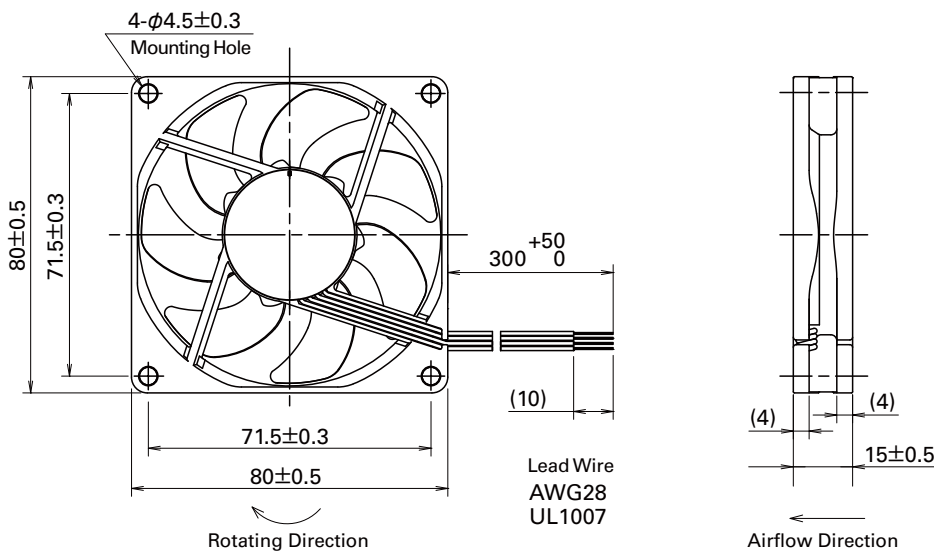
The following nos. **have pulse sensors and ribs.**

Model No.	Rated Voltage [V]	Operating Voltage Range [V]	Rated Current [A]	Rated Input [W]	Rated Speed [min ⁻¹]	Max. Airflow [m ³ /min] [CFM]	Max. Static Pressure [Pa] [inchH ₂ O]	SPL [dB(A)]	Operating Temperature [°C]	Expected Life [h]
9GA0812H7001	12	6 to 13.2	0.09	1.08	3,800	0.89 31.4	32.6 0.13	29	-20 to +70	40,000/60°C (70,000/40°C)
9GA0824H7001	24	12 to 26.4	0.05	1.20	3,800	0.89 31.4	32.6 0.13	29		

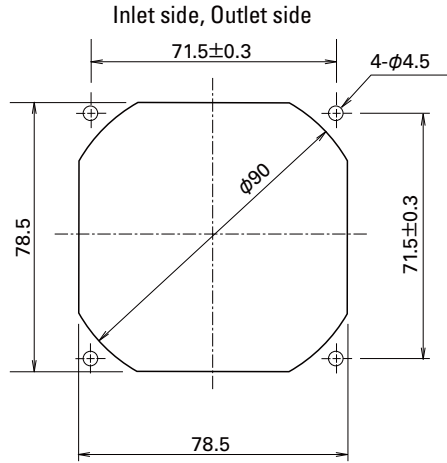
Other sensor specifications are available as options. Please refer to the index (pp. 505 to 506).

Dimensions (unit: mm)

(With PWM control function · With pulse sensor)



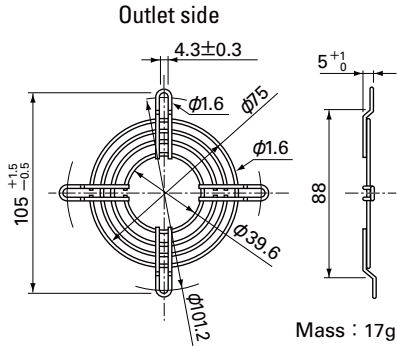
Reference Dimensions of Mounting Holes and Vent Opening (unit: mm)



Options (unit: mm)

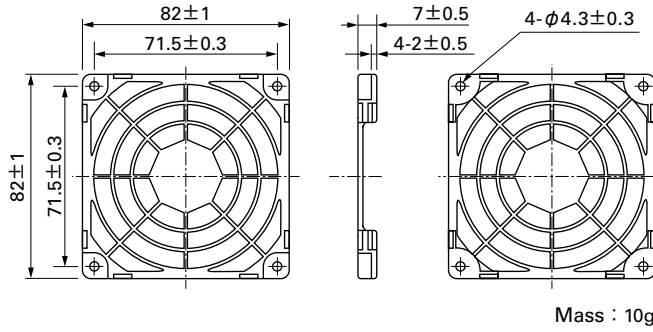
Finger Guards

Model : 109-049C Surface treatment : Nickel-chrome plating (silver) Color : Nickel-chrome plating (silver)

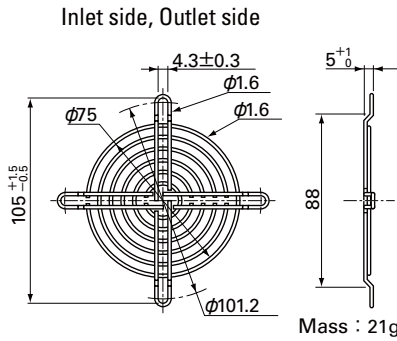


Resin Finger Guards

Model : 109-1002G

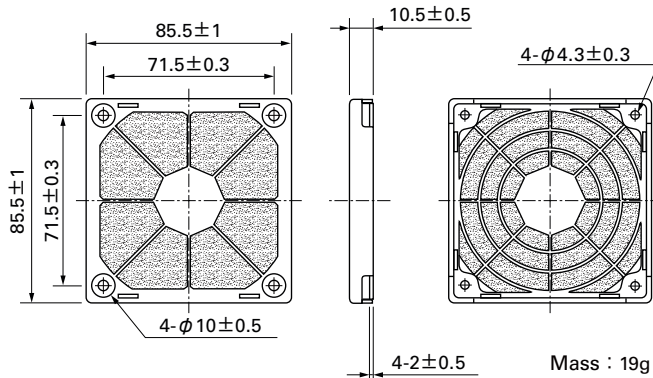


Model : 109-049E Surface treatment : Nickel-chrome plating (silver) Color : Nickel-chrome plating (silver)
: 109-049H : Cation electropainting (black)



Resin Filter Kits

Model : 109-1002F13 (13PPI), 109-1002F20 (20PPI)
: 109-1002F30 (30PPI), 109-1002F40 (40PPI)



80mm sq.

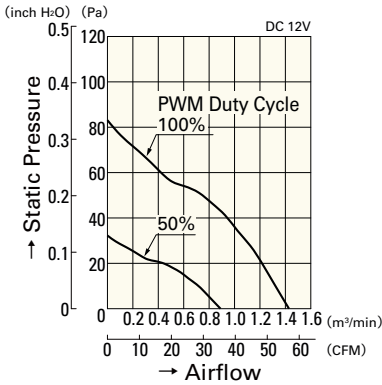
San Ace 80

80×80×15mm [Mass : 65g]

Airflow - Static Pressure Characteristics

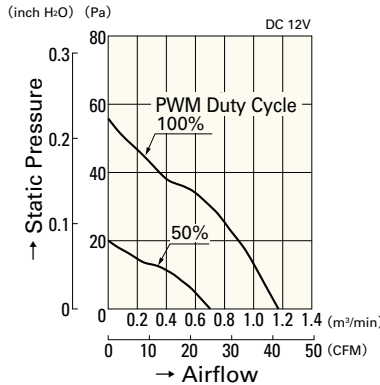
PWM Duty Cycle

With PWM control function · With pulse sensor



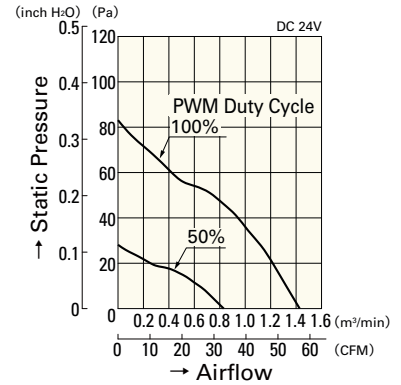
9GA0812P7G001

With PWM control function · With pulse sensor



9GA0812P7S001

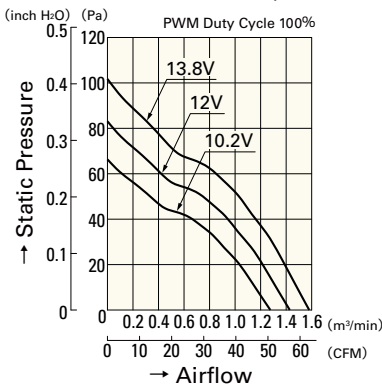
With PWM control function · With pulse sensor



9GA0824P7G001

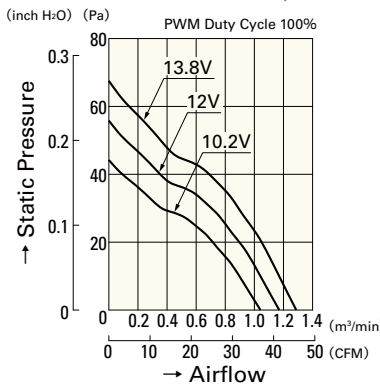
Operating Voltage Range

With PWM control function · With pulse sensor



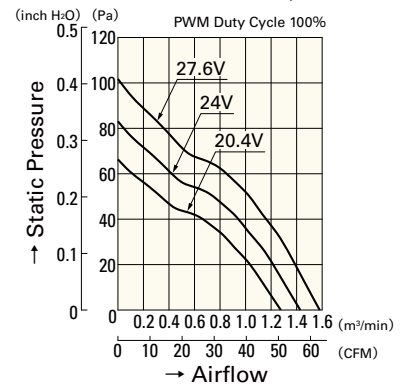
9GA0812P7G001

With PWM control function · With pulse sensor



9GA0812P7S001

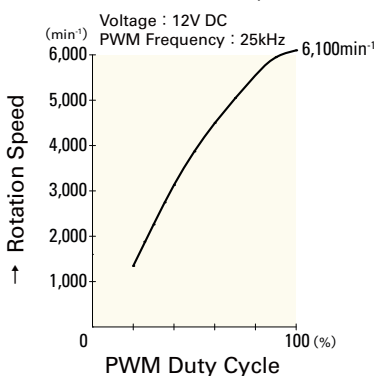
With PWM control function · With pulse sensor



9GA0824P7G001

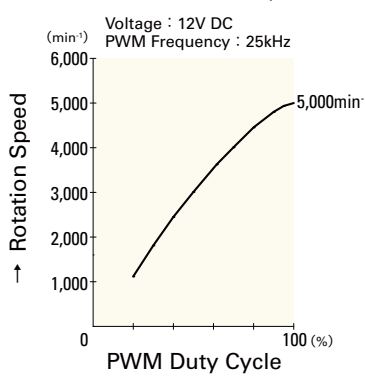
PWM Duty - Speed Characteristics Example

With PWM control function · With pulse sensor



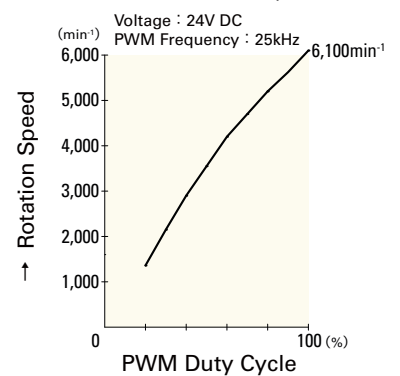
9GA0812P7G001

With PWM control function · With pulse sensor



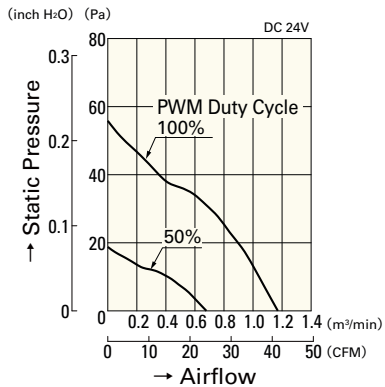
9GA0812P7S001

With PWM control function · With pulse sensor



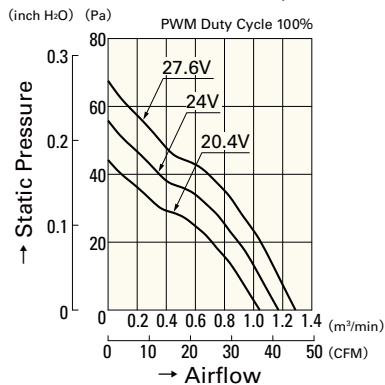
9GA0824P7G001

With PWM control function · With pulse sensor



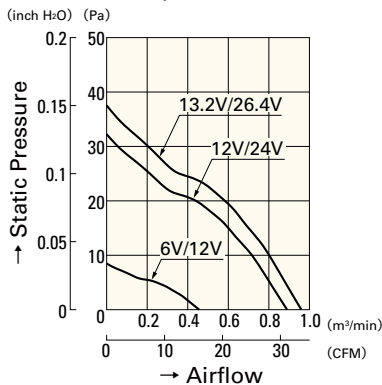
9GA0824P7S001

With PWM control function · With pulse sensor



9GA0824P7S001

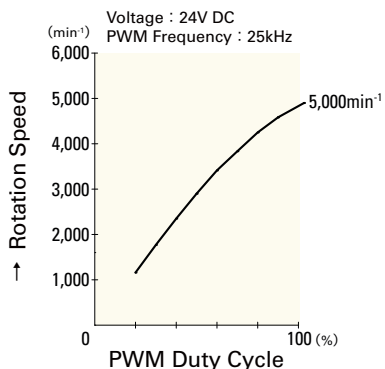
With pulse sensor



9GA0812H7001

9GA0824H7001

With PWM control function · With pulse sensor



9GA0824P7S001

80mm sq.

San Ace 80



General Specifications

- Material Frame: Plastics (Flammability: UL94V-0),
Impeller: Plastics (Flammability: UL94V-1)
- Expected Life Refer to specifications (L10:Survival rate:90% at 60°C ,
rated voltage, and continuously run in a free air state)
- Lead Wire ⊕red ⊖black or blue (Sensor) yellow
- Storage Temperature -30°C to +70°C (Non-condensing)

80×80×15mm (Mass : 68g) **9P**type

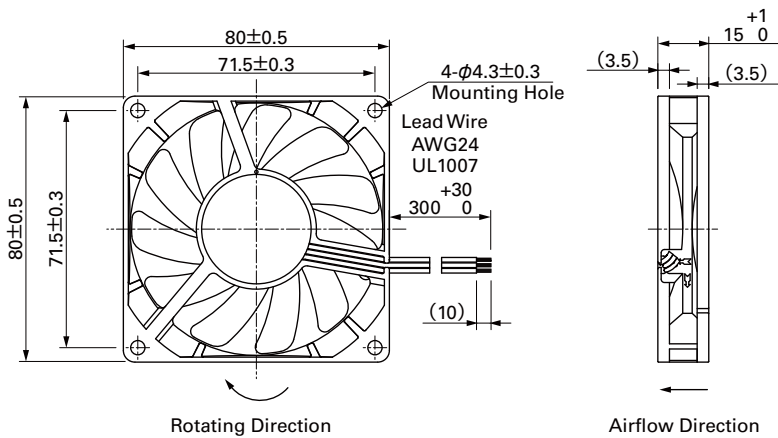
Specifications

The following nos. **have pulse sensors and ribs.**

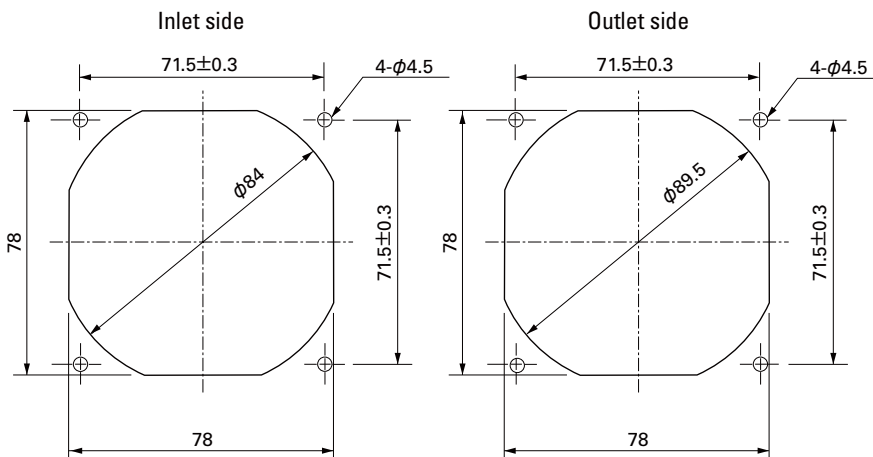
Model No.	Rated Voltage [V]	Operating Voltage Range [V]	Rated Current [A]	Rated Input [W]	Rated Speed [min ⁻¹]	Max. Airflow [m ³ /min] [CFM]	Max. Static Pressure [Pa] [inchH ₂ O]	SPL [dB(A)]	Operating Temperature [°C]	Expected Life [h]		
109P0812H701	12	7 to 13.8	0.2	2.4	3,100	0.91	32.1	29.4	0.118	31	-20 to +70	40,000/60°C
109P0812M701			0.09	1.08	2,000	0.57	20.1	12.6	0.051	21		60,000/60°C
109P0824H701	24	14 to 27.6	0.1	2.4	3,100	0.91	32.1	29.4	0.118	31	-20 to +70	40,000/60°C
109P0824M701			0.05	1.2	2,000	0.57	20.1	12.6	0.051	21		60,000/60°C

Other sensor specifications are available as options. Please refer to the index (pp. 497 to 498).

Dimensions (unit: mm)



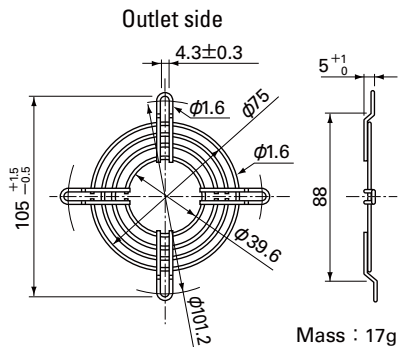
Reference Dimensions of Mounting Holes and Vent Opening (unit: mm)



Options (unit: mm)

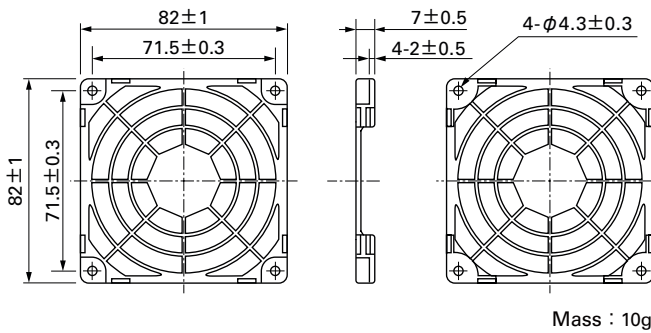
Finger Guards

Model : 109-049C Color : Nickel-chrome plating (silver)
Surface treatment : Nickel-chrome plating (silver)

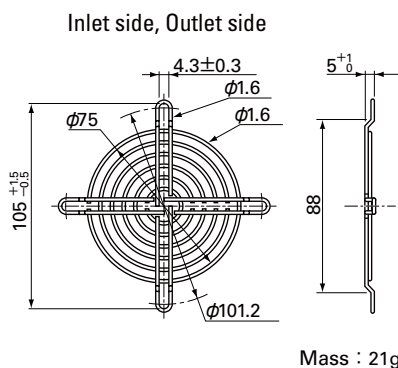


Resin Finger Guards

Model : 109-1002G

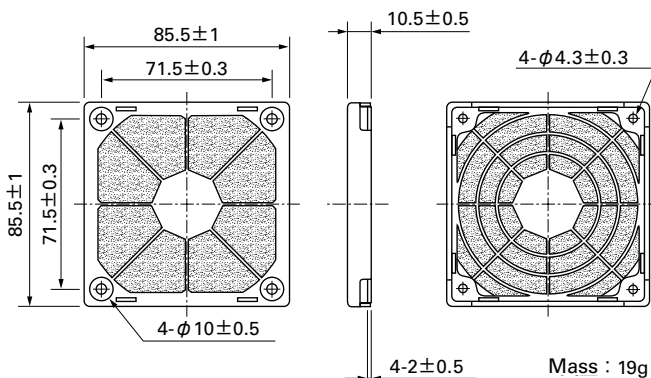


Model : 109-049E Color : Nickel-chrome plating (silver)
Surface treatment : Nickel-chrome plating (silver)
: 109-049H : Cation electropainting (black)

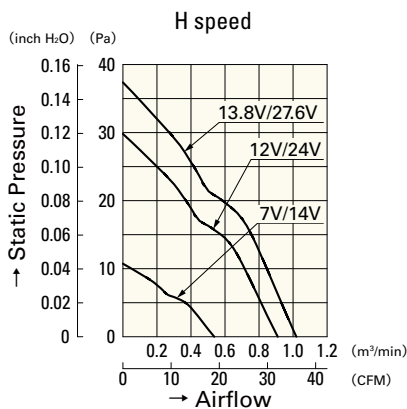


Resin Filter Kits

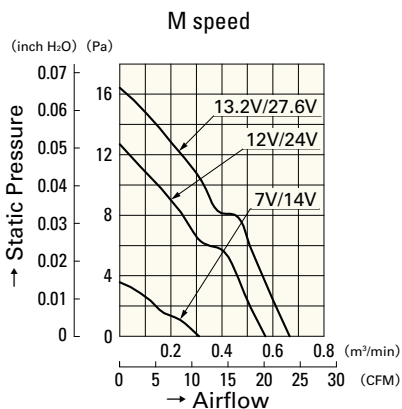
Model : 109-1002F13 (13PPI), 109-1002F20 (20PPI)
: 109-1002F30 (30PPI), 109-1002F40 (40PPI)



Airflow - Static Pressure Characteristics



109P0812H701
109P0824H701



109P0812M701
109P0824M701

80 mm sq.

San Ace 80



General Specifications

- Material Frame: Plastics (Flammability: UL94V-0),
Impeller: Plastics (Flammability: UL94V-0)
- Expected Life Refer to specifications (L10: Survival rate: 90% at 60°C ,
rated voltage, and continuously run in a free air state)
- Lead Wire ⊕red ⊖black (Sensor) yellow (Control) brown
- Storage Temperature -30°C to +70°C (Non-condensing)

80×80×20 mm (Mass : 80g) **9GA** type **Low Power Consumption Fan**



Specifications The following nos. have PWM controls, pulse sensors, and ribs.

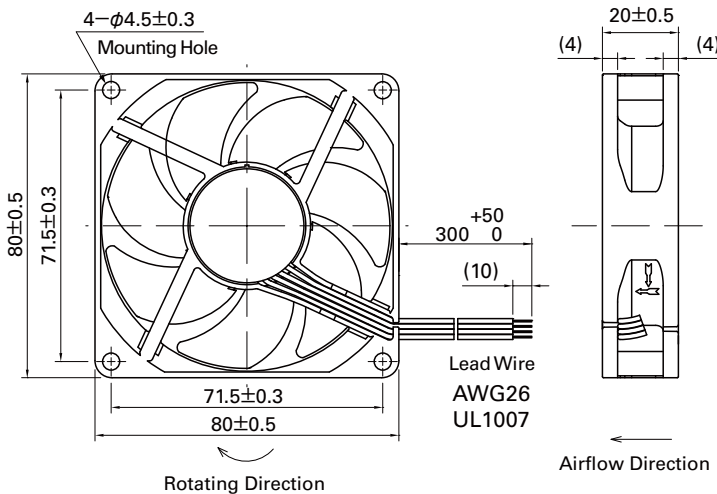
Model No.	Rated Voltage [V]	Operating Voltage Range [V]	PWM duty cycle ^{Note①} [%]	Rated Current [A]	Rated Input [W]	Rated Speed [min ⁻¹]	Max. Airflow [m³/min] [CFM]	Max. Static Pressure [Pa] [inchH ₂ O]	SPL [dB(A)]	Operating Temperature [°C]	Expected Life [h]
9GA0812P6G001	12	10.2 to 13.8	100	0.3	3.6	5,850	1.72 60.78	110 0.44	45	-20 to +70	40,000/60°C (70,000/40°C)
9GA0812P6M001				0.06	0.72	2,900	0.84 29.68	27 0.11	26.5		60,000/60°C
9GA0824P6G001	24	20.4 to 27.6	100	0.15	3.6	5,850	1.72 60.78	110 0.44	45		40,000/60°C (70,000/40°C)
9GA0824P6M001				0.03	0.72	2,900	0.84 29.68	27 0.11	26.5		60,000/60°C

Note: Fan does not rotate when PWM duty cycle is 0%.

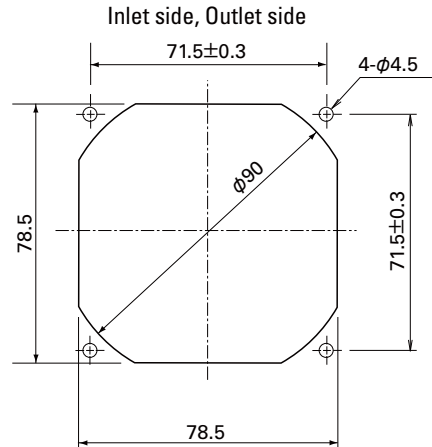
※PWM Frequency : 25kHz

Other sensor specifications are available as options. Please refer to the index (pp. 505 to 506).

Dimensions (unit: mm)



Reference Dimensions of Mounting Holes and Vent Opening (unit: mm)

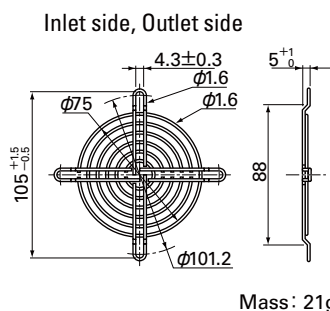
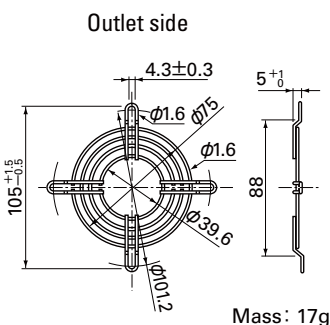


Options (unit: mm)

Finger Guards

Model : 109-049C Surface treatment : Nickel-chrome plating (silver) Color (silver)

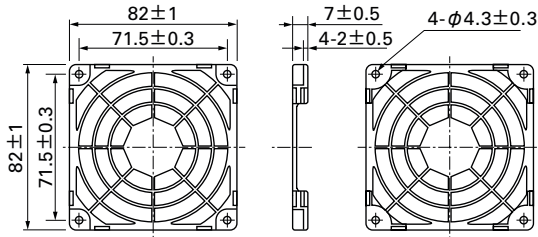
Model : 109-049E Surface treatment : Nickel-chrome plating (silver) Color (silver)
: 109-049H Surface treatment : Cation electropainting (black) Color (black)



Options (unit: mm)

Resin Finger Guards

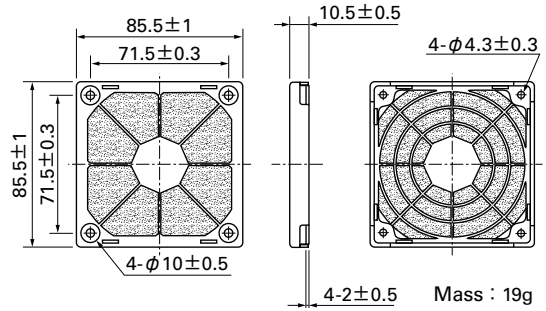
Model : 109-1002G



Mass : 10g

Resin Filter Kits

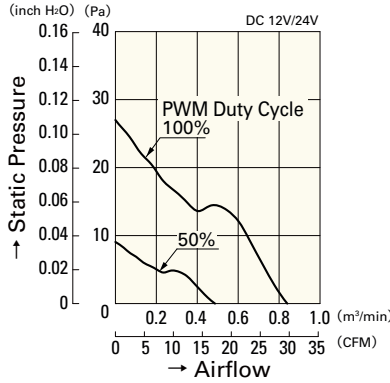
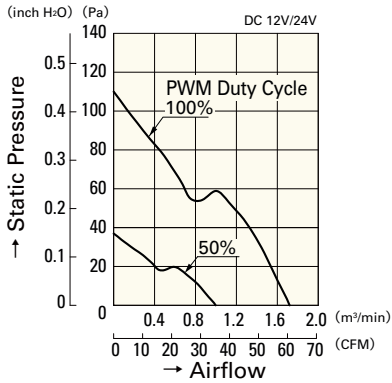
Model : 109-1002F13 (13PPI), 109-1002F20 (20PPI)
: 109-1002F30 (30PPI), 109-1002F40 (40PPI)



Mass : 19g

Airflow - Static Pressure Characteristics

PWM Duty Cycle



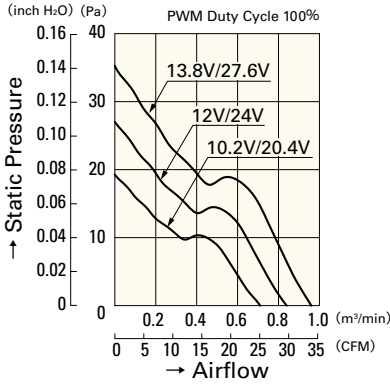
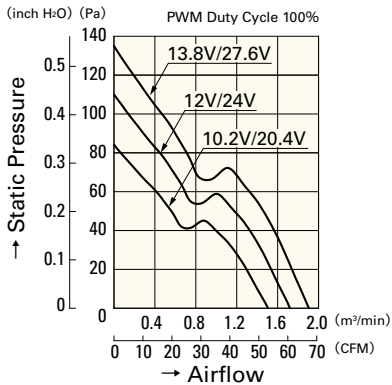
9GA0812P6G001

9GA0824P6G001

9GA0812P6M001

9GA0824P6M001

Operating Voltage Range



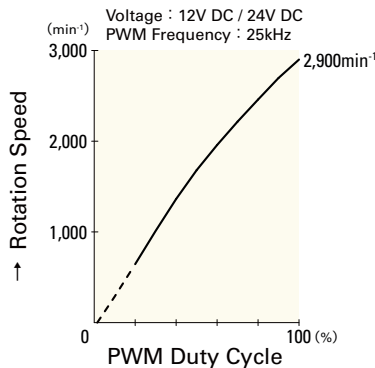
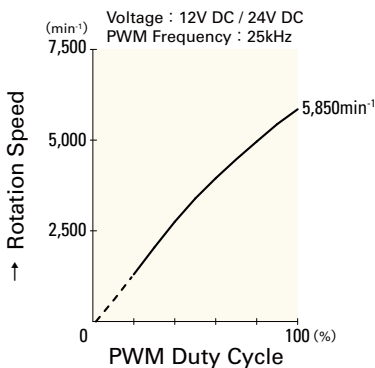
9GA0812P6G001

9GA0824P6G001

9GA0812P6M001

9GA0824P6M001

PWM Duty - Speed Characteristics Example



9GA0812P6G001

9GA0824P6G001

9GA0812P6M001

9GA0824P6M001

80mm sq.

San Ace 80



Model no. 109P0812C601 is not certified.

General Specifications

- Material Frame: Plastics (Flammability: UL94V-0),
Impeller: Plastics (Flammability: UL94V-1)
- Expected Life Refer to specifications (L10:Survival rate:90% at 60°C ,
rated voltage, and continuously run in a free air state)
- Lead Wire ⊕red ⊖black or blue (Sensor) yellow
- Storage Temperature -30°C to +70°C (Non-condensing)

80×80×20mm (Mass : 100g) **9P** type

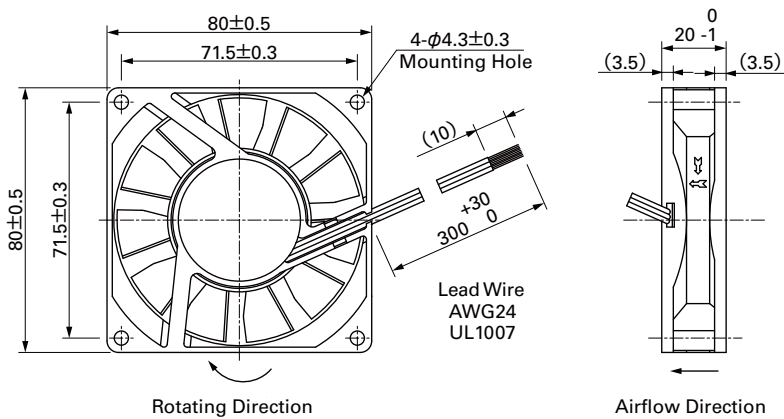
Specifications

The following nos. **have pulse sensors and ribs.**

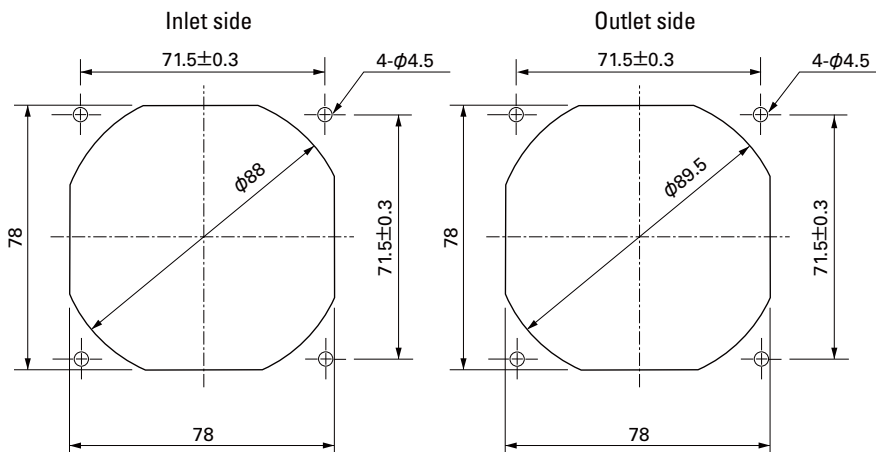
Model No.	Rated Voltage [V]	Operating Voltage Range [V]	Rated Current [A]	Rated Input [W]	Rated Speed [min ⁻¹]	Max. Airflow [m ³ /min] [CFM]	Max. Static Pressure [Pa] [inchH ₂ O]	SPL [dB(A)]	Operating Temperature [°C]	Expected Life [h]
109P0812C601	12	10.2 to 13.8	0.29	3.48	3,700	1.07 37.8	46 0.185	39	-20 to +60	60,000/60°C
109P0812H601			0.21	2.52	2,900	0.84 29.7	29.4 0.118	31		
109P0812M601			0.13	1.56	2,300	0.67 23.7	18.6 0.075	25		
109P0824H601	24	20.4 to 27.6	0.12	2.88	2,900	0.84 29.7	29.4 0.118	31	-20 to +70	
109P0824M601			0.07	1.68	2,300	0.67 23.7	18.6 0.075	25		
109P0848C601	48	38 to 57.6	0.08	3.84	3,700	1.07 37.8	46 0.185	39	-20 to +70	
109P0848H601			0.05	2.4	2,900	0.84 29.7	29.4 0.118	31		-20 to +60

Other sensor specifications are available as options. Please refer to the index (pp. 497 to 498).

Dimensions (unit: mm)



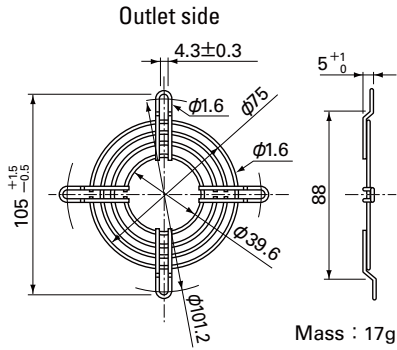
Reference Dimensions of Mounting Holes and Vent Opening (unit: mm)



Options (unit: mm)

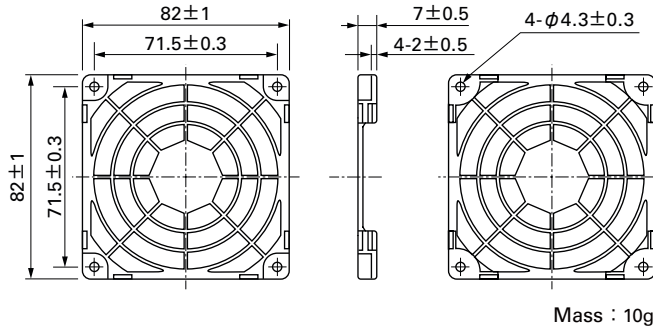
Finger Guards

Model : 109-049C Color : Nickel-chrome plating (silver)
 Model : 109-049H Surface treatment : Cation electropainting (black)



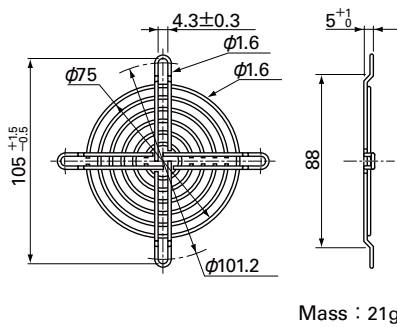
Resin Finger Guards

Model : 109-1002G



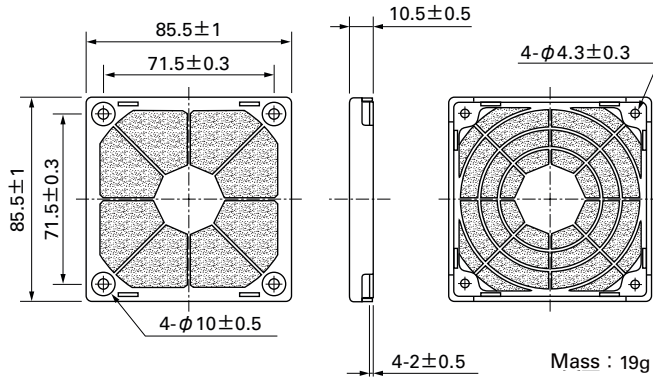
Model : 109-049E Color : Nickel-chrome plating (silver)
 Model : 109-049H Surface treatment : Cation electropainting (black)

Inlet side, Outlet side

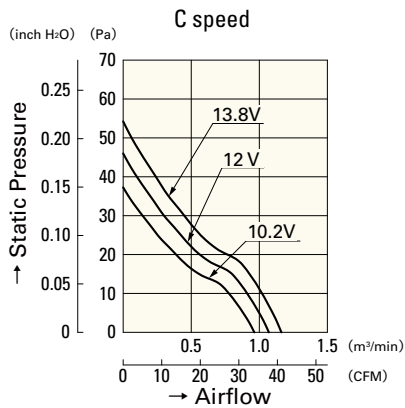


Resin Filter Kits

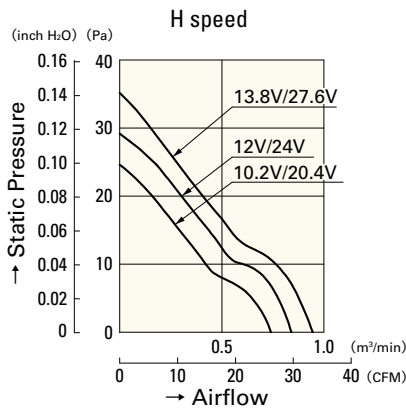
Model : 109-1002F13 (13PPI), 109-1002F20 (20PPI)
 Model : 109-1002F30 (30PPI), 109-1002F40 (40PPI)



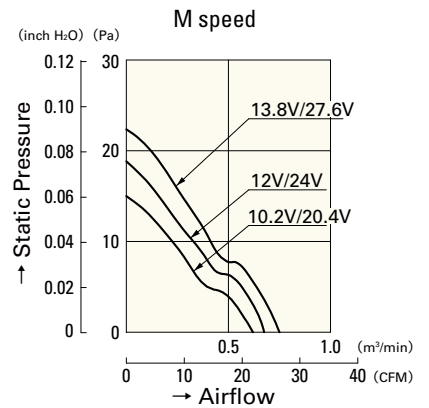
Airflow - Static Pressure Characteristics



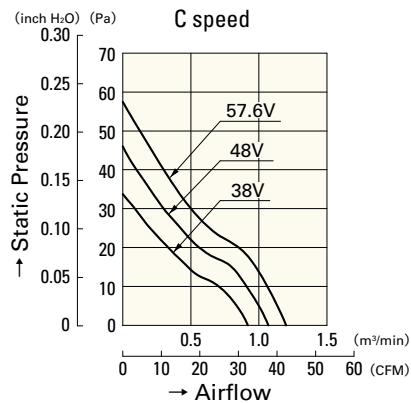
109P0812C601



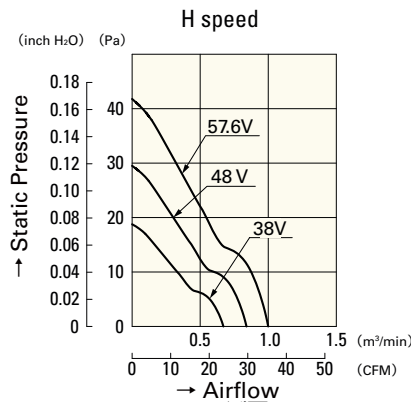
109P0812H601
109P0824H601



109P0812M601
109P0824M601



109P0848C601



109P0848H601

80mm sq.

San Ace 80



General Specifications

- Material Frame: Plastics (Flammability: UL94V-0),
Impeller: Plastics (Flammability: UL94V-0)
- Expected Life Refer to specifications (L10: Survival rate: 90% at 60°C ,
rated voltage, and continuously run in a free air state)
- Lead Wire ⊕red ⊖black (Sensor) yellow (Control) brown
- Storage Temperature -30°C to +70°C (Non-condensing)

80×80×25mm (Mass : 110g) **9GA type** **Low Noise Low Power Consumption Fan**

Specifications

The following nos. **have PWM controls, pulse sensors, and ribs.** For ribless, append "1" to the model no.

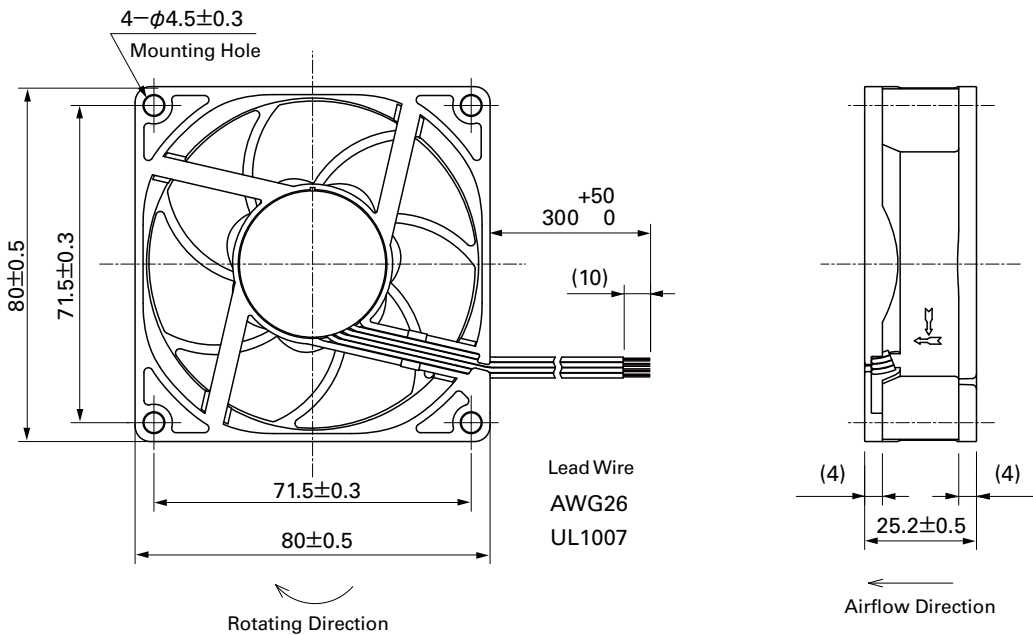
Model No.	Rated Voltage [V]	Operating Voltage Range [V]	PWM duty cycle ^{Note①} [%]	Rated Current [A]	Rated Input [W]	Rated Speed [min ⁻¹]	Max. Airflow [m ³ /min] [CFM]	Max. Static Pressure [Pa] [inchH ₂ O]	SPL [dB(A)]	Operating Temperature [°C]	Expected Life [h]	
9GA0812P4J001	12	10.8 to 13.2	100	0.6	7.2	7,400	2.07	73.0	177.6	0.7	48	-20 to +70 40,000/60°C (70,000/40°C)
			25	0.08	0.96	2,500	0.69	24.3	20.2	0.08	21	
9GA0812P4G001			100	0.48	5.76	6,800	1.91	67.4	150	0.6	45	
			25	0.06	0.72	1,500	0.42	14.8	7.2	0.02	17	
9GA0812P4H001			100	0.22	2.64	5,200	1.46	51.5	87.7	0.35	37	
			25	0.06	0.72	1,600	0.44	15.5	8.3	0.03	17	
9GA0824P4J001	24	21.6 to 26.4	100	0.28	6.72	7,400	2.07	73.0	177.6	0.7	48	
			25	0.06	1.44	2,800	0.78	27.5	25.4	0.1	23	
9GA0824P4G001			100	0.21	5.04	6,800	1.91	67.4	150	0.6	45	
			25	0.04	0.96	2,100	0.58	20.4	14.3	0.05	19	
9GA0824P4H001			100	0.1	2.4	5,200	1.46	51.5	87.7	0.35	37	
			25	0.02	0.48	1,500	0.42	14.8	7.2	0.02	17	

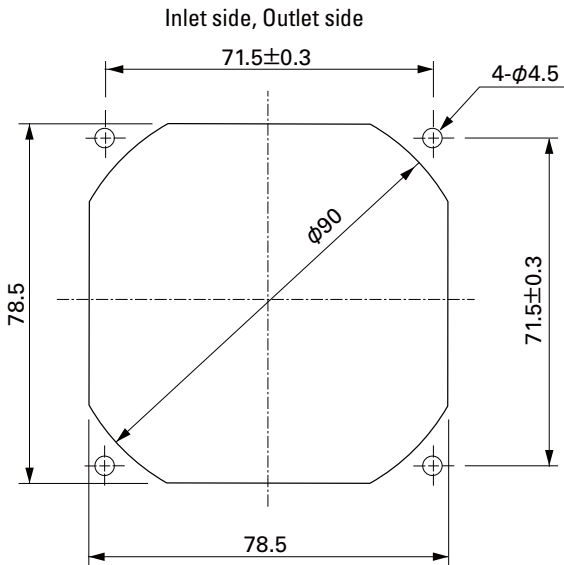
Note: Fan does not rotate when PWM duty cycle is 0%.

※PWM Frequency : 25kHz

Other sensor specifications are available as options. Please refer to the index (pp. 505 to 506).

Dimensions (unit: mm) (With ribs)



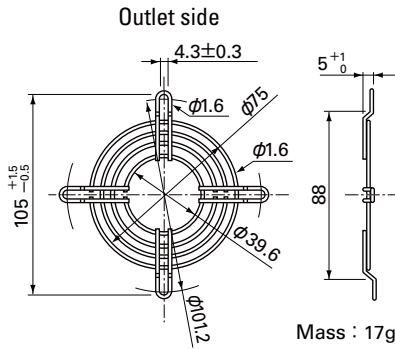


Options (unit: mm)

Finger Guards

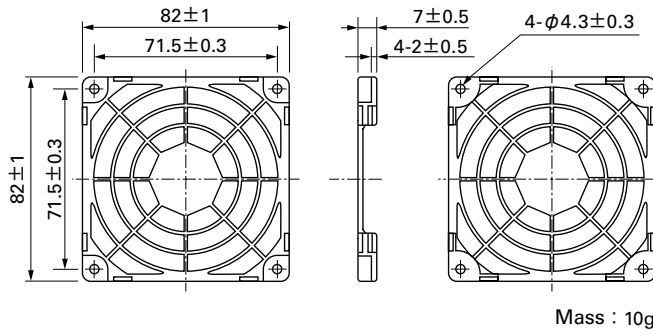
Model : 109-049C Surface treatment : Nickel-chrome plating (silver) Color

Color



Resin Finger Guards

Model : 109-1002G

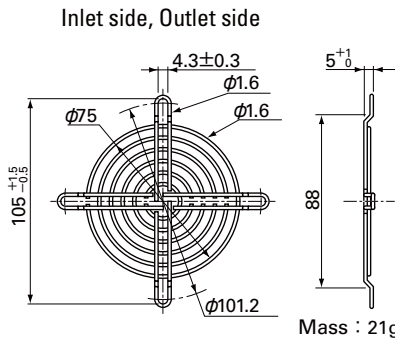


Model : 109-049E Surface treatment : Nickel-chrome plating (silver) Color

Color

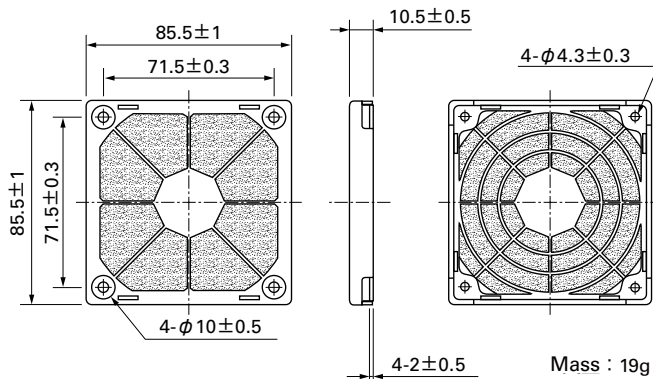
: 109-049H

: Cation electropainting (black)



Resin Filter Kits

Model : 109-1002F13 (13PPI), 109-1002F20 (20PPI)
: 109-1002F30 (30PPI), 109-1002F40 (40PPI)



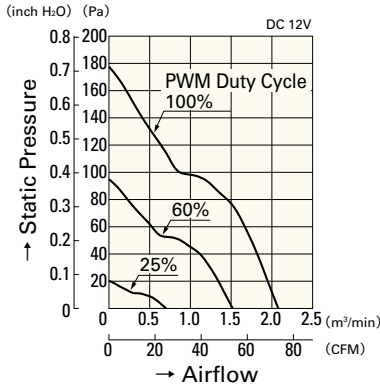
80mm sq.

San Ace 80

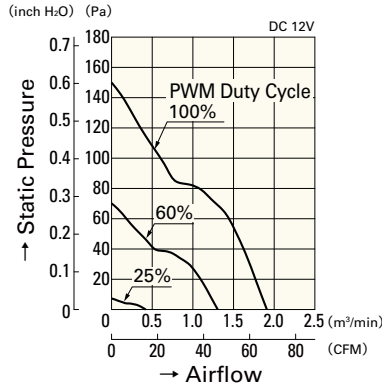
80×80×25mm [Mass : 110g]

Airflow - Static Pressure Characteristics

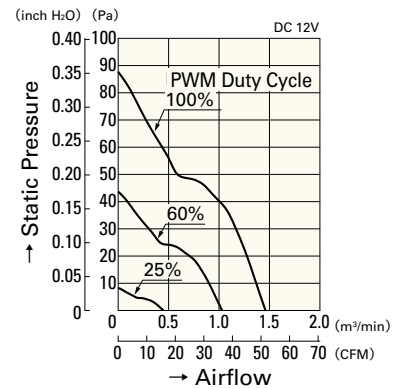
PWM Duty Cycle



9GA0812P4J001

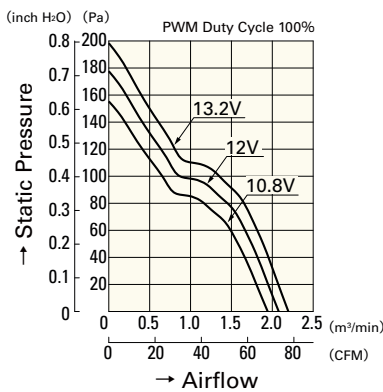


9GA0812P4G001

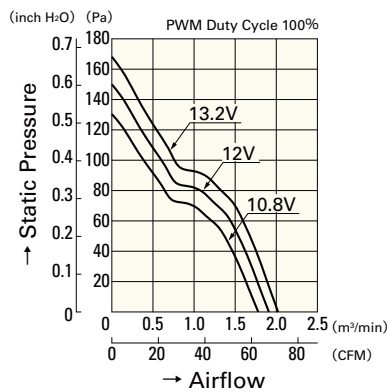


9GA0812P4H001

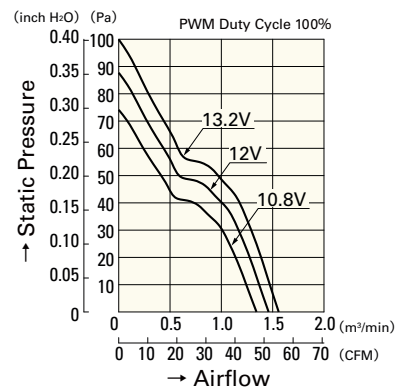
Operating Voltage Range



9GA0812P4J001

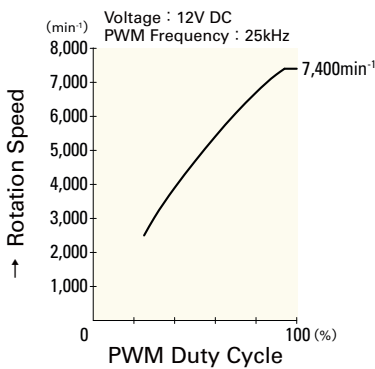


9GA0812P4G001

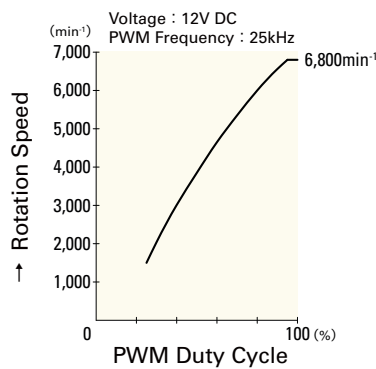


9GA0812P4H001

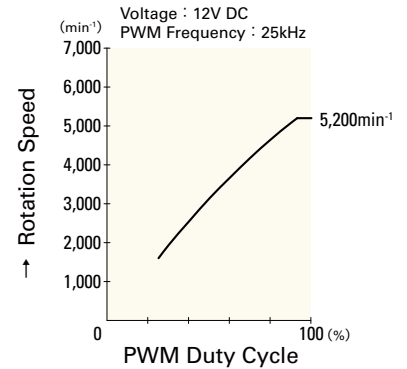
PWM Duty - Speed Characteristics Example



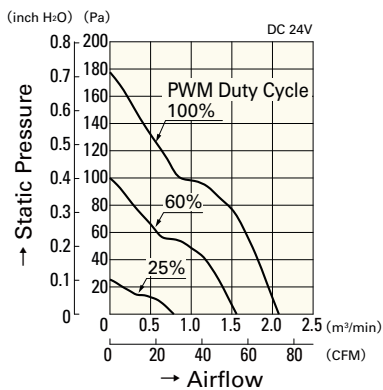
9GA0812P4J001



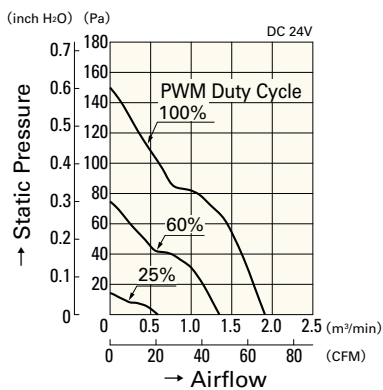
9GA0812P4G001



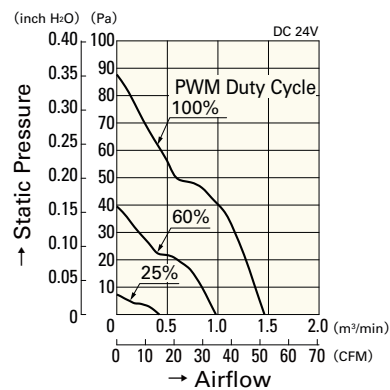
9GA0812P4H001



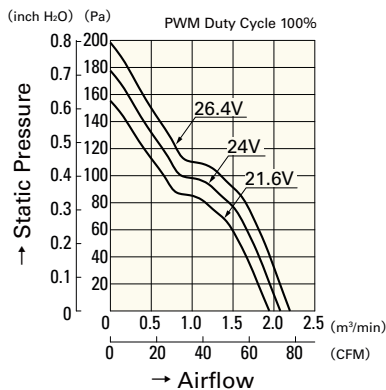
9GA0824P4J001



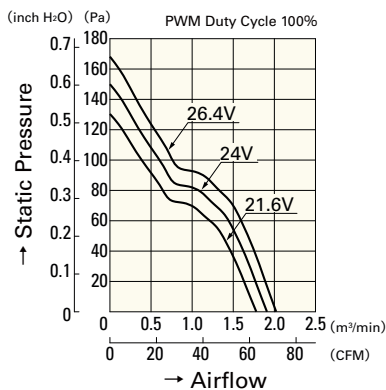
9GA0824P4G001



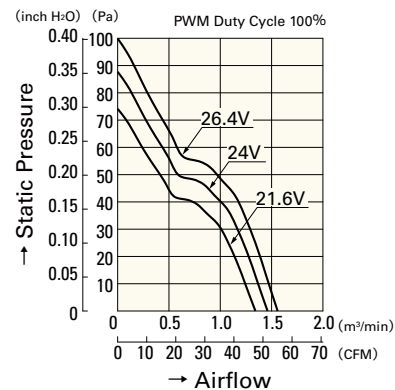
9GA0824P4H001



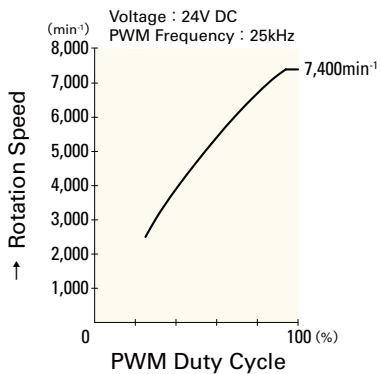
9GA0824P4J001



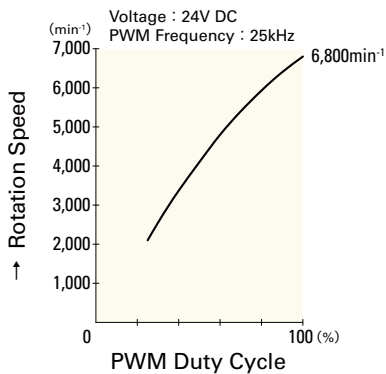
9GA0824P4G001



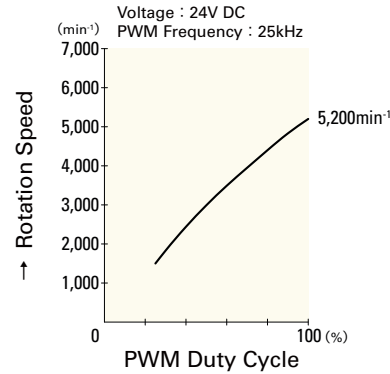
9GA0824P4H001



9GA0824P4J001



9GA0824P4G001



9GA0824P4H001

80mm sq.

San Ace 80



Model no. 9S0812H401 is not TÜV certified.

General Specifications

- Material Frame: Plastics (Flammability: UL94V-0),
Impeller: Plastics (Flammability: UL94V-1)
- Expected Life Refer to specifications (L10:Survival rate:90% at 60°C ,
rated voltage, and continuously run in a free air state)
- Lead Wire ⊕red ⊖black (Sensor) yellow
- Storage Temperature -30°C to +70°C (Non-condensing)

80×80×25mm (Mass : 75g) **9S type** **Silent Fan**

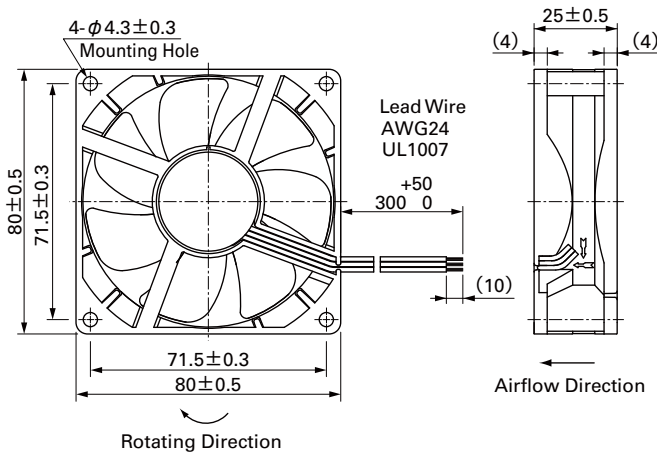
Specifications

The following nos. **have pulse sensors and ribs**. For ribless, append "1" to the model no.

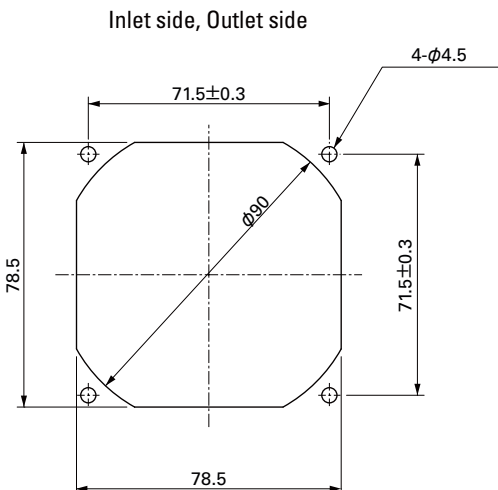
Model No.	Rated Voltage [V]	Operating Voltage Range [V]	Rated Current [A]	Rated Input [W]	Rated Speed [min ⁻¹]	Max. Airflow [m ³ /min] [CFM]	Max. Static Pressure [Pa] [inchH ₂ O]	SPL [dB(A)]	Operating Temperature [°C]	Expected Life [h]
9S0812H401	12	5.0 to 13.2	0.23	2.76	3,400	1.12 39.5	52.15 0.20	31	-10 to +70	40,000/60°C
9S0812F401		5.0 to 13.8	0.11	1.32	2,800	0.93 32.8	35.5 0.143	24		
9S0812M401		6.0 to 13.8	0.08	0.96	2,500	0.83 29.3	27.5 0.110	22		
9S0812L401	24	10 to 26.4	0.06	1.44	2,500	0.83 29.3	27.5 0.110	22		
9S0824M401		0.04	0.96	2,000	0.66 23.3	18.1 0.073	16			
9S0824L401										

Other sensor specifications are available as options. Please refer to the index (p. 510).

Dimensions (unit: mm) (With ribs)



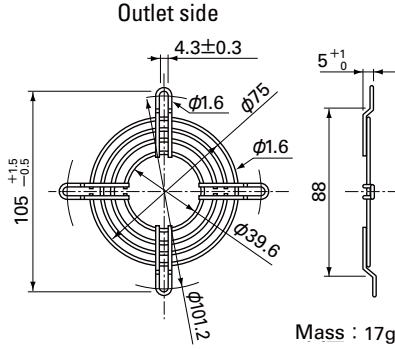
Reference Dimensions of Mounting Holes and Vent Opening (unit: mm)



Options (unit: mm)

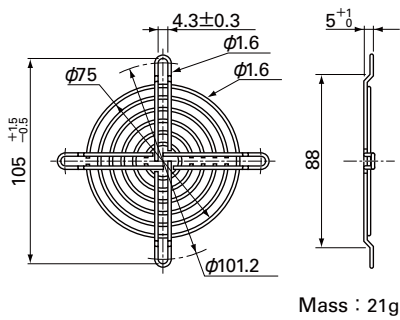
Finger Guards

Model : 109-049C Surface treatment : Nickel-chrome plating (silver) Color (silver)



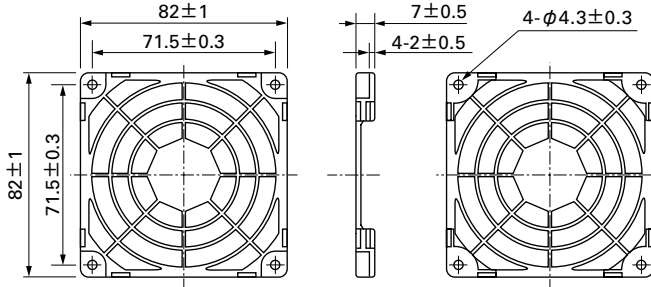
Model : 109-049E Surface treatment : Nickel-chrome plating (silver) Color (silver)
 : 109-049H Surface treatment : Cation electropainting (black) Color (black)

Inlet side, Outlet side



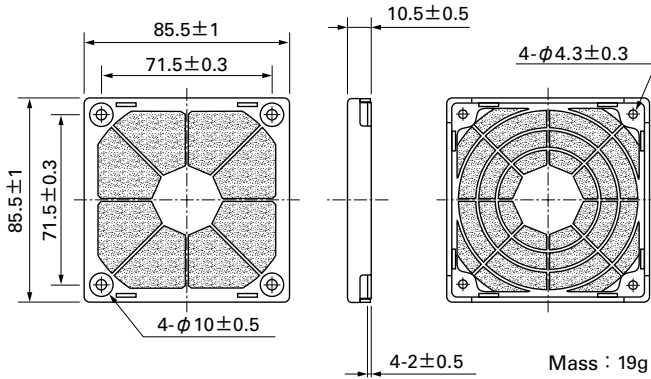
Resin Finger Guards

Model : 109-1002G

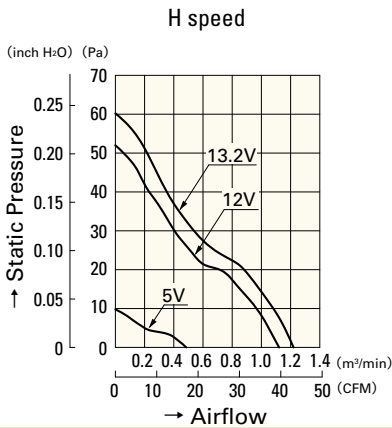


Resin Filter Kits

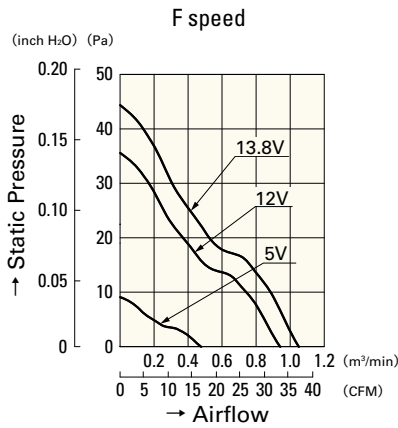
Model : 109-1002F13 (13PPI), 109-1002F20 (20PPI)
 : 109-1002F30 (30PPI), 109-1002F40 (40PPI)



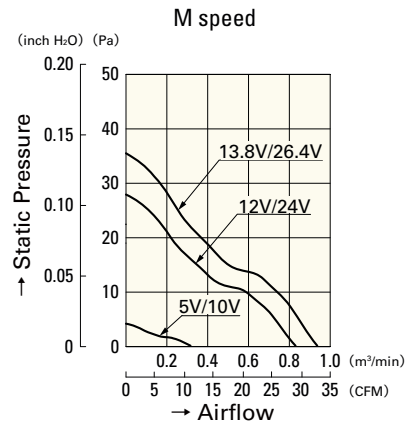
Airflow - Static Pressure Characteristics



9S0812H401

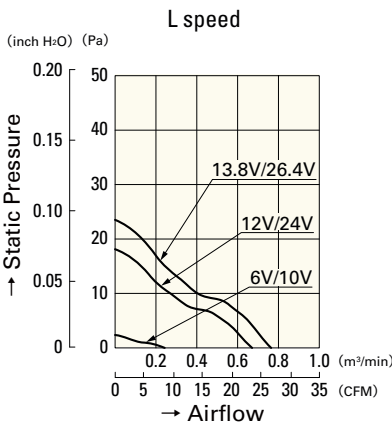


9S0812F401



9S0812M401

9S0824M401



9S0812L401

9S0824L401

80mm sq.

San Ace 80



General Specifications

- Material Frame: Plastics (Flammability: UL94V-0),
Impeller: Plastics (Flammability: UL94V-1)
- Expected Life Refer to specifications (L10:Survival rate:90% at 60°C ,
rated voltage, and continuously run in a free air state)
- Lead Wire ⊕red ⊖black (Sensor) yellow (Control) brown
- Storage Temperature -30°C to +70°C (Non-condensing)

80×80×25mm (Mass : 125g) **9GV** type

Specifications

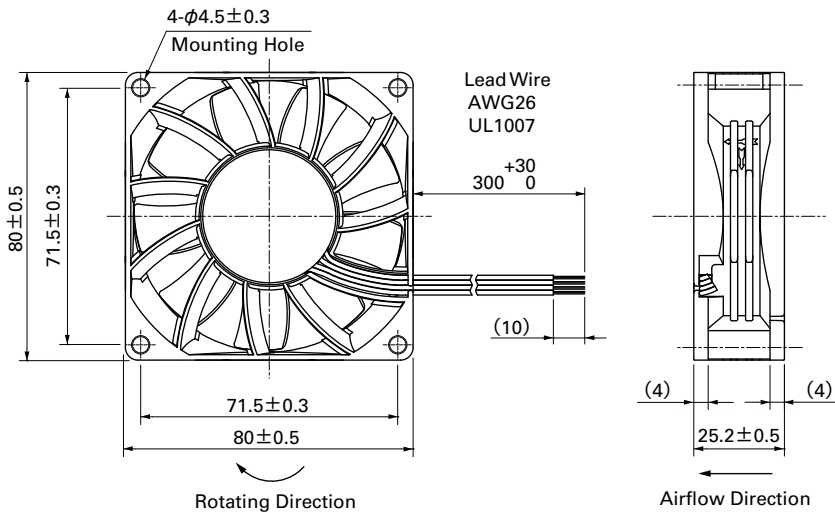
The following nos. **have PWM controls, pulse sensors, and ribs.** For ribless, append "1" to the model no.

Model No.	Rated Voltage [V]	Operating Voltage Range [V]	PWM duty cycle* [%]	Rated Current [A]	Rated Input [W]	Rated Speed [min ⁻¹]	Max. Airflow [m ³ /min] [CFM]	Max. Static Pressure [Pa] [inchH ₂ O]	SPL [dB(A)]	Operating Temperature [°C]	Expected Life [h]
9GV0812P4K03	12	10.2 to 13.8	100	0.87	10.4	5,600	2.12 74.8	173.0 0.69	52	-20 to +70	40,000/60°C
			0	0.10	1.2	1,400	0.50 18.7	10.3 0.04	18		
9GV0812P4J03	12	10.2 to 13.8	100	0.47	5.6	4,500	1.72 60.7	110.0 0.44	46		
			0	0.07	0.8	1,200	0.45 16.2	7.5 0.03	14		
9GV0824P4K01	24	20.4 to 27.6	100	0.44	10.56	5,600	2.12 74.8	173.0 0.69	52		
			0	0.06	1.44	1,400	0.53 18.7	10.8 0.04	18		
9GV0848P4K03	48	43 to 53	100	0.22	10.56	5,600	2.12 74.8	173.0 0.69	52		
			0	0.04	1.92	1,500	0.57 20.1	12.4 0.05	19		

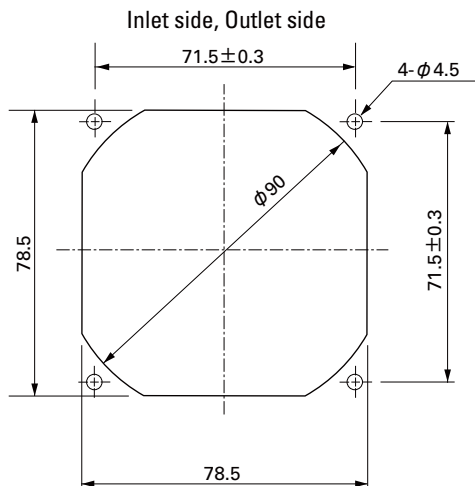
*PWM Frequency : 25kHz

Other sensor specifications are available as options. Please refer to the index (p. 507).

Dimensions (unit: mm) (With ribs)



Reference Dimensions of Mounting Holes and Vent Opening (unit: mm)



Options (unit: mm)

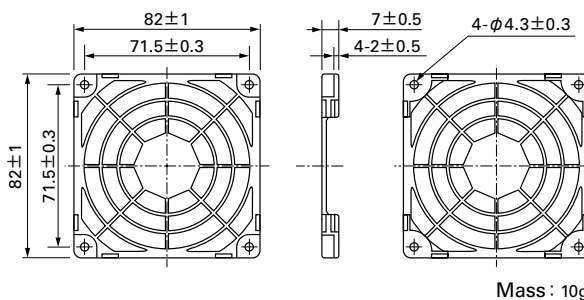
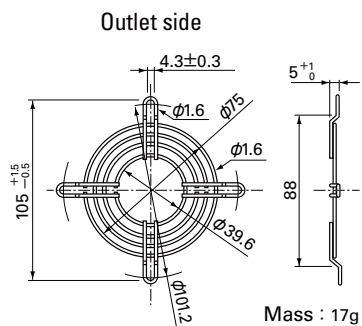
Finger Guards

Model : 109-049C Surface treatment : Nickel-chrome plating (silver)

Color

Resin Finger Guards

Model : 109-1002G

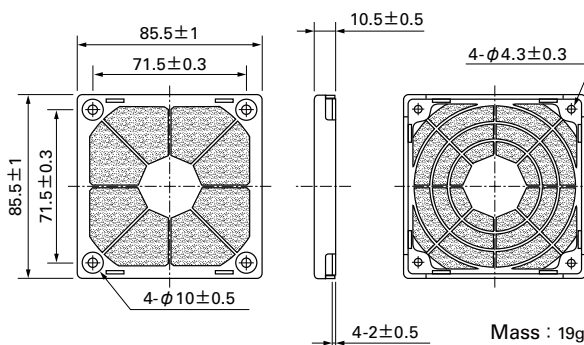
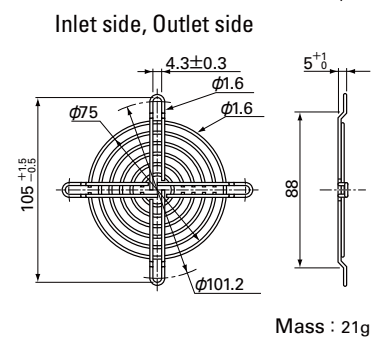


Model : 109-049E Surface treatment : Nickel-chrome plating (silver)
: 109-049H : Cation electropainting (black)

Color

Resin Filter Kits

Model : 109-1002F13 (13PPI), 109-1002F20 (20PPI)
: 109-1002F30 (30PPI), 109-1002F40 (40PPI)



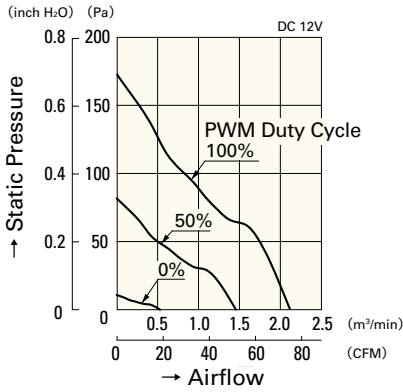
80mm sq.

San Ace 80

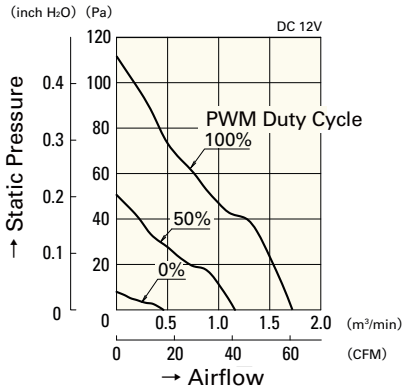
80×80×25mm [Mass : 125g]

Airflow - Static Pressure Characteristics

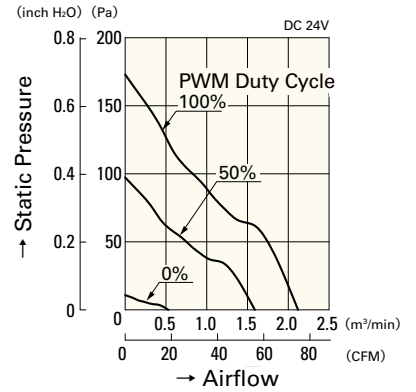
PWM Duty Cycle



9GV0812P4K03

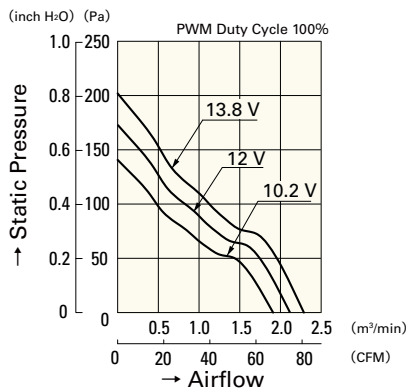


9GV0812P4J03

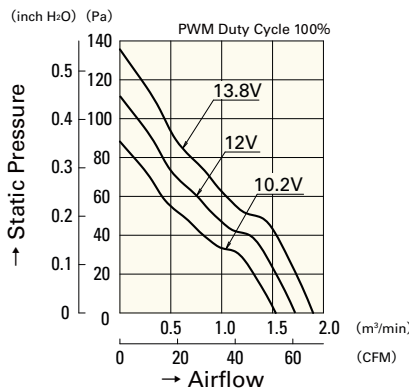


9GV0824P4K01

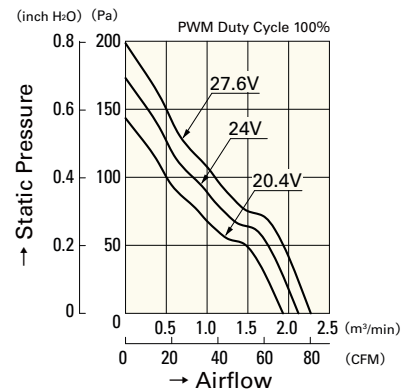
Operating Voltage Range



9GV0812P4K03

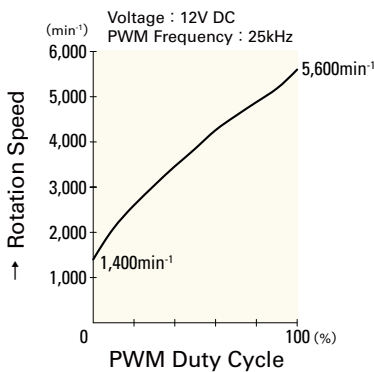


9GV0812P4J03

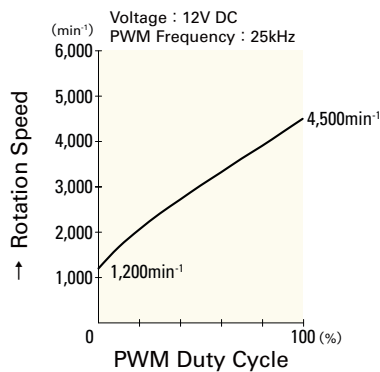


9GV0824P4K01

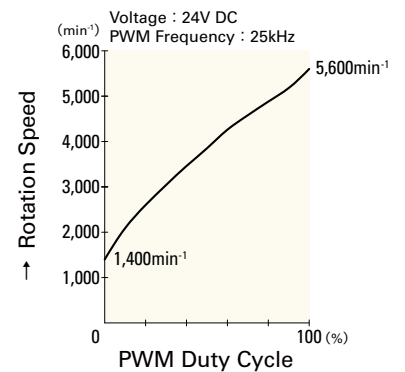
PWM Duty - Speed Characteristics Example



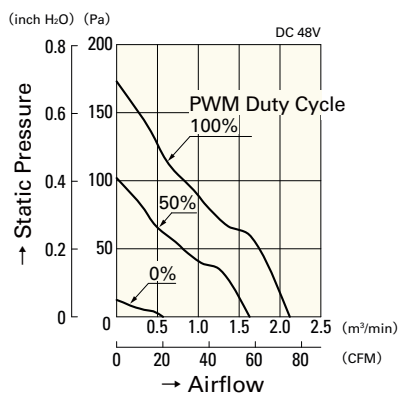
9GV0812P4K03



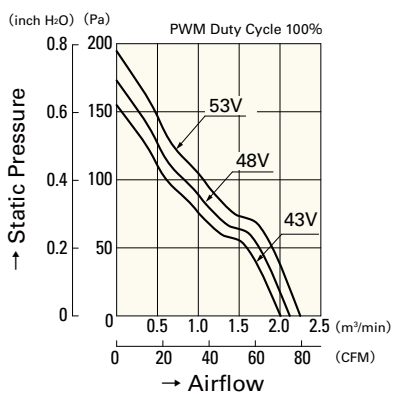
9GV0812P4J03



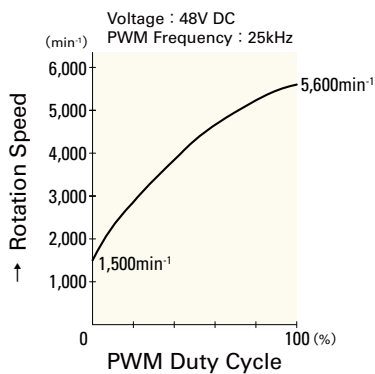
9GV0824P4K01



9GV0848P4K03



9GV0848P4K03



9GV0848P4K03

80 mm sq.

San Ace 80



Model no. 109R0812E401 is not certified.

General Specifications

- Material Frame: Plastics (Flammability: UL94V-0),
Impeller: Plastics (Flammability: UL94V-1)
- Expected Life Refer to specifications (L10:Survival rate:90% at 60°C ,
rated voltage, and continuously run in a free air state)
- Lead Wire ⊕red ⊖black or blue (Sensor) yellow
- Storage Temperature -30°C to +70°C (Non-condensing)

80×80×25mm (Mass : 110g) **9R type**

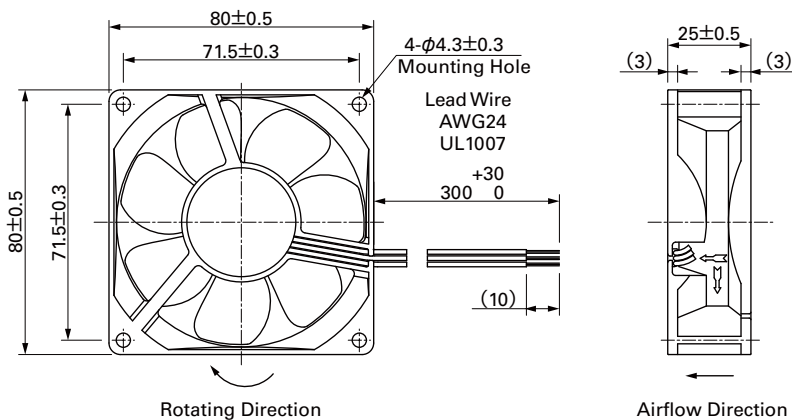
Specifications

The following nos. **have pulse sensors and ribs**. For ribless, append "1" to the model no.

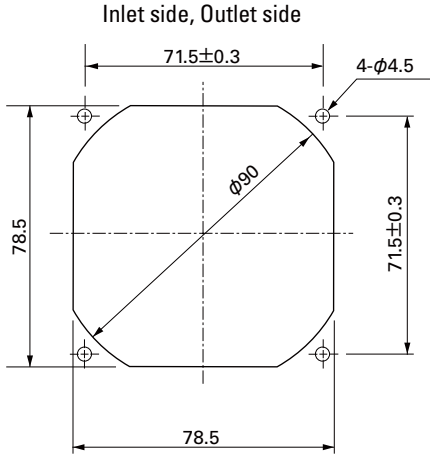
Model No.	Rated Voltage [V]	Operating Voltage Range [V]	Rated Current [A]	Rated Input [W]	Rated Speed [min ⁻¹]	Max. Airflow [m ³ /min] [CFM]	Max. Static Pressure [Pa] [inchH ₂ O]	SPL [dB(A)]	Operating Temperature [°C]	Expected Life [h]		
109R0805F401	5	4.5 to 5.5	0.25	1.25	2,600	0.92	32.5	28.4	0.114	26	-20 to +70	60,000/60°C
109R0805M401			0.17	0.85	2,350	0.83	29.3	22.5	0.090	23		
109R0812G401	12	10.8 to 13.2	0.37	4.44	4,500	1.50	53.0	80.4	0.323	40	-20 to +60	40,000/60°C
109R0812E401			0.24	2.88	3,700	1.31	46.3	57.8	0.232	35		
109R0812S401		6 to 13.8	0.18	2.16	3,400	1.20	42.4	48.0	0.193	34	-20 to +70	60,000/60°C
109R0812H401			0.13	1.56	2,900	1.03	36.4	35.3	0.142	29		
109R0812F401			0.11	1.32	2,600	0.92	32.5	28.4	0.114	26		
109R0812M401			0.09	1.08	2,350	0.83	29.3	22.5	0.090	23		
109R0812L401		7 to 13.8	0.06	0.72	1,850	0.65	23.0	14.7	0.059	20		
109R0824G401		24	20.4 to 26.4	0.20	4.80	4,500	1.50	53.0	80.4	0.323	40	-20 to +60
109R0824S401	0.10			2.40	3,400	1.20	42.4	48.0	0.193	34		
109R0824H401	12 to 27.6		0.07	1.68	2,900	1.03	36.4	35.3	0.142	29	-20 to +70	60,000/60°C
109R0824F401			0.06	1.44	2,600	0.92	32.5	28.4	0.114	26		
109R0824M401			0.05	1.20	2,350	0.83	29.3	22.5	0.090	23		
109R0824L401			0.04	0.96	1,850	0.65	23.0	14.7	0.059	20		
109R0848K401	48	40.8 to 55.2	0.10	4.80	4,600	1.56	55.1	88.4	0.355	41	-20 to +60	40,000/60°C
109R0848S401			0.06	2.88	3,400	1.20	42.4	48.0	0.193	34	-20 to +70	60,000/60°C

Other sensor specifications are available as options. Please refer to the index (p. 499).

Dimensions (unit: mm) (With ribs)



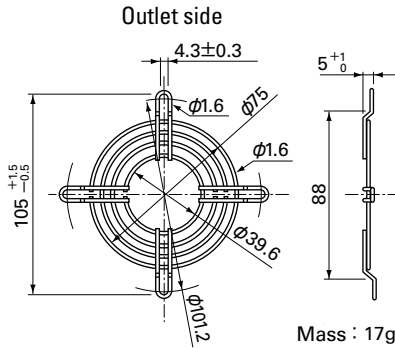
Reference Dimensions of Mounting Holes and Vent Opening (unit: mm)



Options (unit: mm)

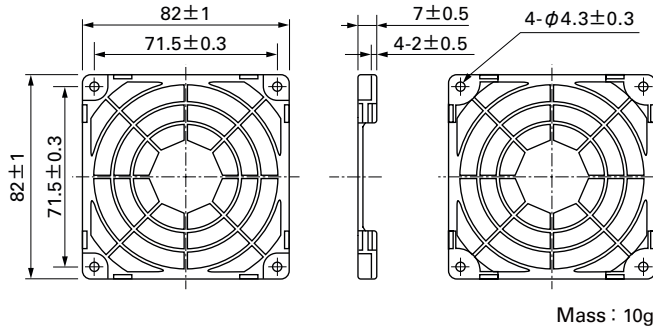
Finger Guards

Model : 109-049C Surface treatment : Nickel-chrome plating (silver) Color : Nickel-chrome plating (silver)



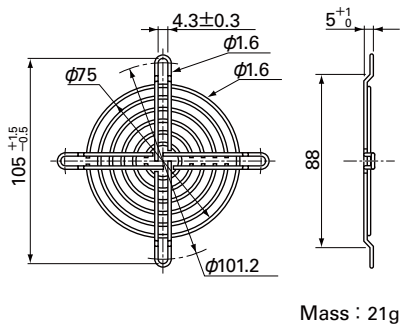
Resin Finger Guards

Model : 109-1002G



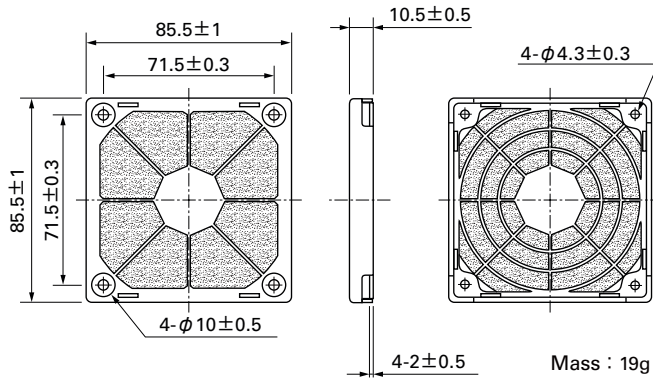
Model : 109-049E Surface treatment : Nickel-chrome plating (silver) Color : Nickel-chrome plating (silver)
 : 109-049H : Cation electropainting (black)

Inlet side, Outlet side



Resin Filter Kits

Model : 109-1002F13 (13PPI), 109-1002F20 (20PPI)
 : 109-1002F30 (30PPI), 109-1002F40 (40PPI)

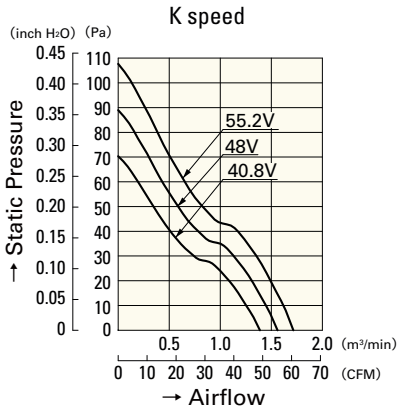


80 mm sq.

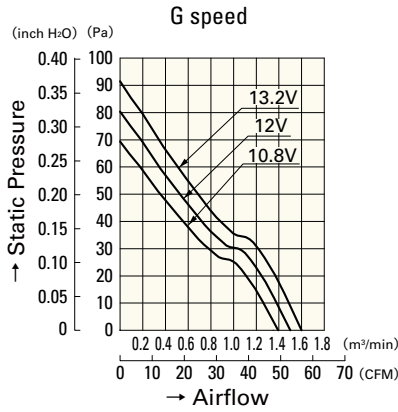
San Ace 80

80×80×25mm [Mass : 110g]

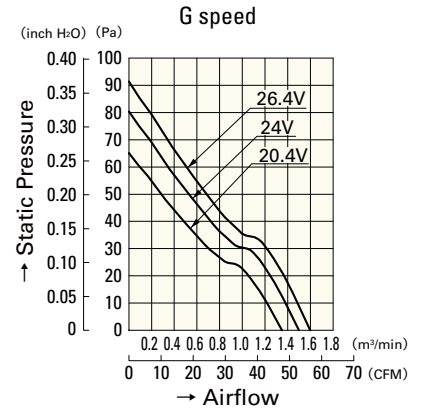
Airflow - Static Pressure Characteristics



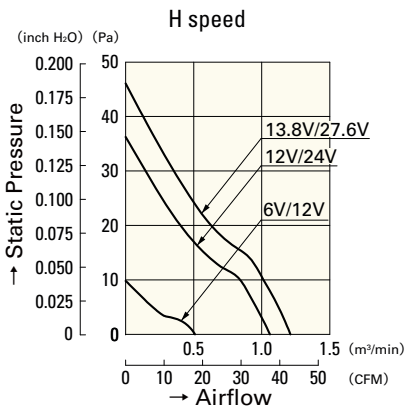
109R0848K401



109R0812G401

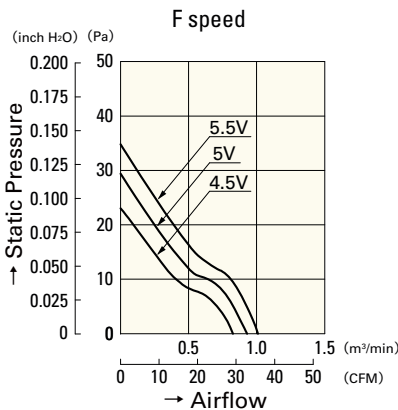


109R0824G401

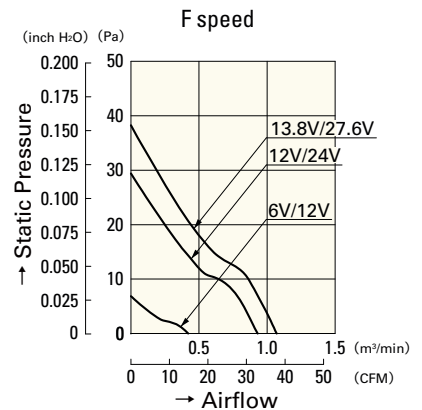


109R0812H401

109R0824H401

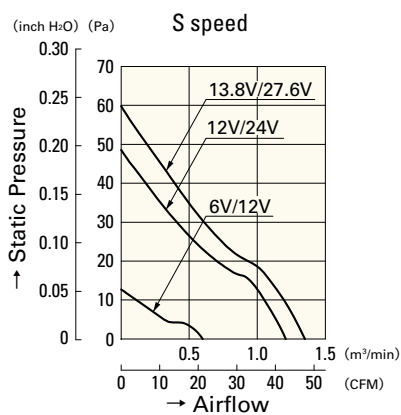


109R0805F401

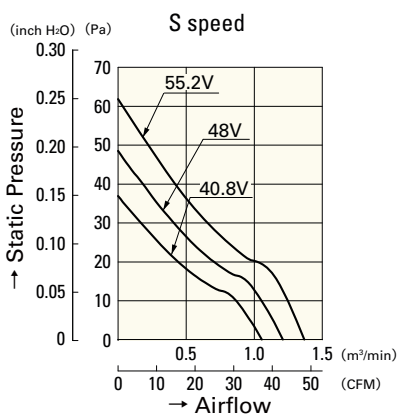


109R0812F401

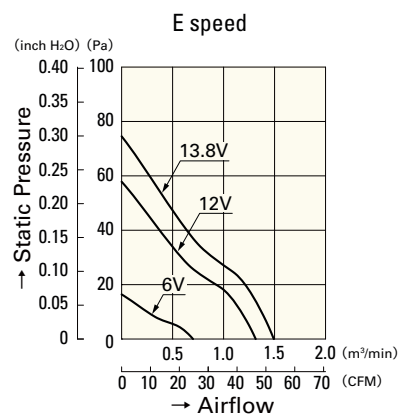
109R0824F401



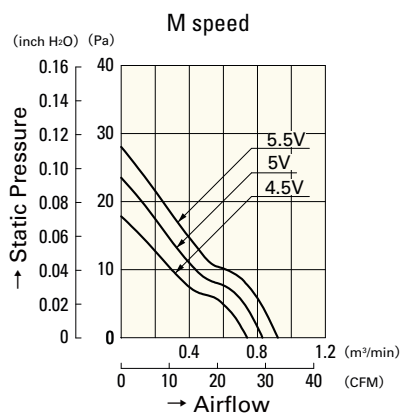
109R0812S401
109R0824S401



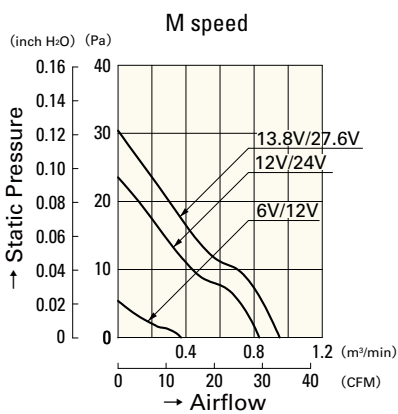
109R0848S401



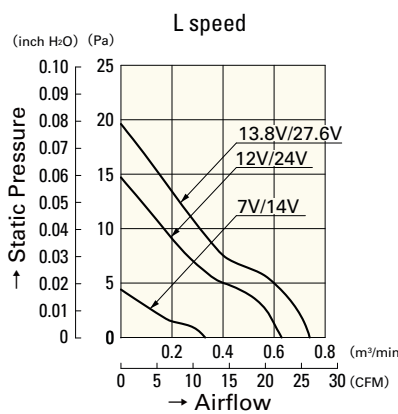
109R0812E401



109R0805M401



109R0812M401
109R0824M401



109R0812L401
109R0824L401

80mm sq.

San Ace 80



General Specifications

- Material Frame: Plastics (Flammability: UL94V-0),
Impeller: Plastics (Flammability: UL94V-0)
- Expected Life Refer to specifications (L10:Survival rate:90% at 60°C ,
rated voltage, and continuously run in a free air state)
- Lead Wire ⊕red ⊖black or blue (Sensor) yellow
- Storage Temperature -30°C to +70°C (Non-condensing)

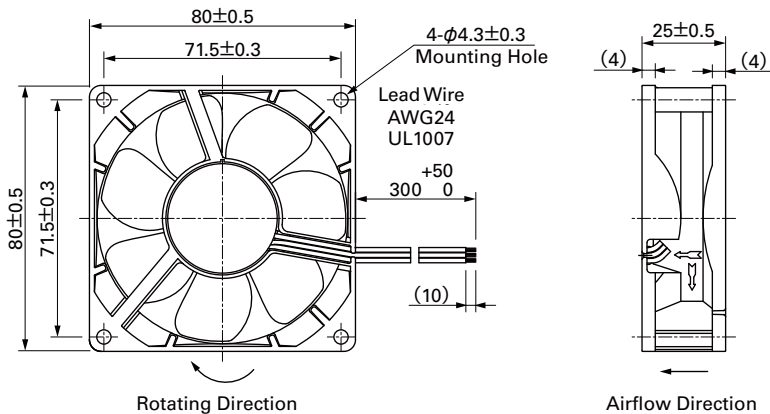
80×80×25mm (Mass : 90g) 9A type San Cooler

Specifications The following nos. **have pulse sensors and ribs.** For ribless, append "1" to the model no.

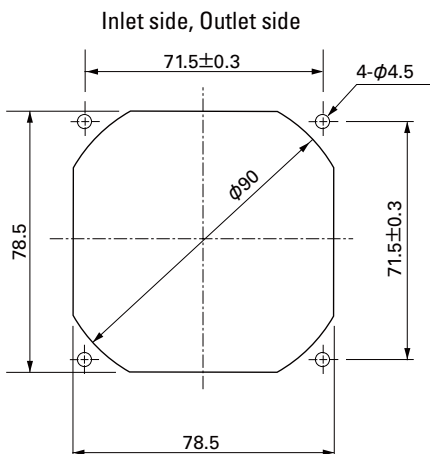
Model No.	Rated Voltage [V]	Operating Voltage Range [V]	Rated Current [A]	Rated Input [W]	Rated Speed [min ⁻¹]	Max. Airflow [m ³ /min] [CFM]	Max. Static Pressure [Pa] [inchH ₂ O]	SPL [dB(A)]	Operating Temperature [°C]	Expected Life [h]				
9A0812G401	12	6 to 13.2	0.38	4.56	4,500	1.5	53.0	80.3	0.323	40	-20 to +60	30,000/60°C		
9A0812S401			0.18	2.16	3,400	1.2	42.4	48	0.193	34				
9A0812H401		6 to 13.8	0.13	1.56	2,900	1.03	36.4	35.3	0.142	29			-20 to +70	40,000/60°C
9A0812F401			0.11	1.32	2,600	0.92	32.5	28.4	0.114	26				
9A0812M401			0.09	1.08	2,350	0.83	29.3	22.5	0.090	23				
9A0812L401			0.06	0.72	1,850	0.65	23.0	14.7	0.059	20				
9A0824G401	24	12 to 26.4	0.21	5.04	4,500	1.5	53.0	80.3	0.323	40	-20 to +60	30,000/60°C		
9A0824S401			0.1	2.4	3,400	1.2	42.4	48	0.193	34				
9A0824H401		12 to 27.6	0.07	1.68	2,900	1.03	36.4	35.3	0.142	29			-20 to +70	40,000/60°C
9A0824F401			0.06	1.44	2,600	0.92	32.5	28.4	0.114	26				
9A0824M401			0.05	1.2	2,350	0.83	29.3	22.5	0.090	23				
9A0824L401			0.04	0.96	1,850	0.65	23.0	14.7	0.059	20				

Other sensor specifications are available as options. Please refer to the index (p. 500).

Dimensions (unit: mm) (With ribs)



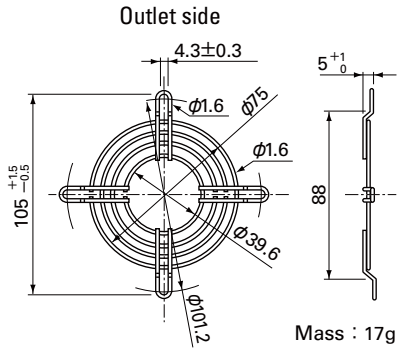
Reference Dimensions of Mounting Holes and Vent Opening (unit: mm)



Options (unit: mm)

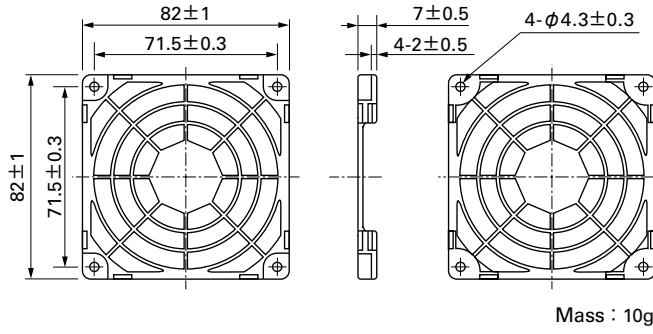
Finger Guards

Model : 109-049C Surface treatment : Nickel-chrome plating (silver) Color : 109-049H : Cation electropainting (black)



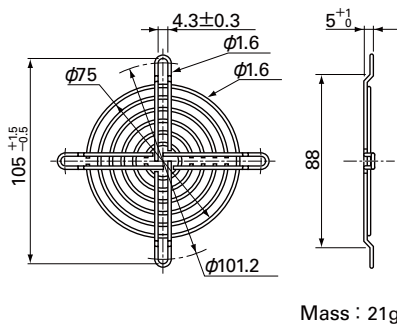
Resin Finger Guards

Model : 109-1002G



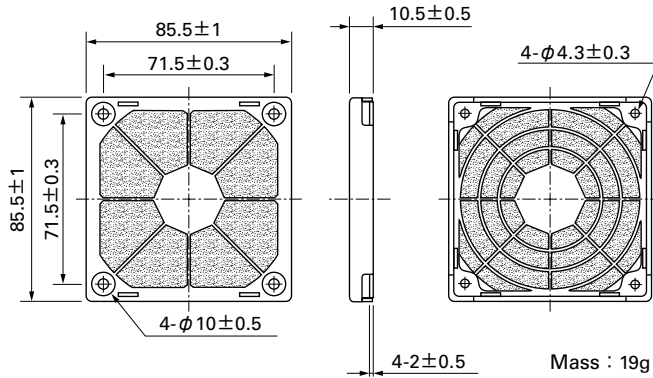
Model : 109-049E Surface treatment : Nickel-chrome plating (silver) Color : 109-049H : Cation electropainting (black)

Inlet side, Outlet side

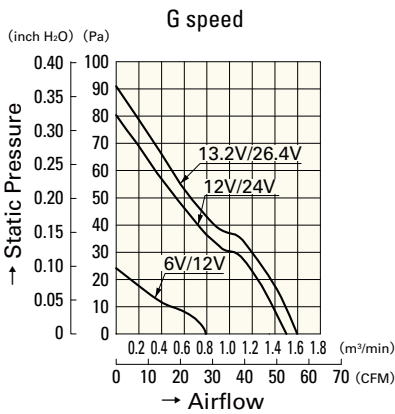


Resin Filter Kits

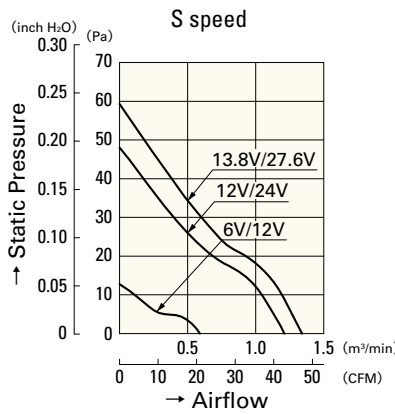
Model : 109-1002F13 (13PPI), 109-1002F20 (20PPI) : 109-1002F30 (30PPI), 109-1002F40 (40PPI)



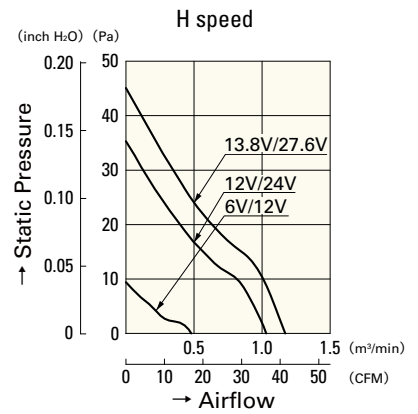
Airflow - Static Pressure Characteristics



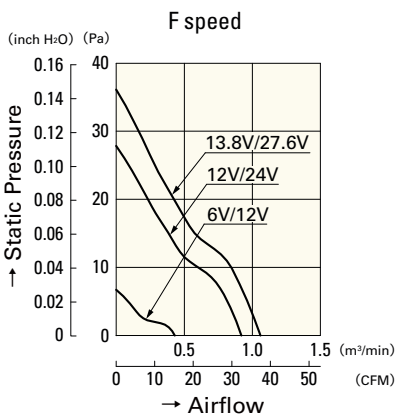
9A0812G401
9A0824G401



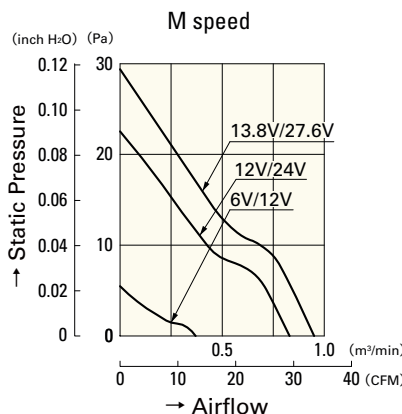
9A0812S401
9A0824S401



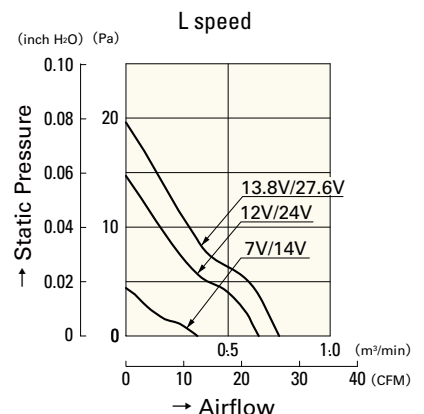
9A0812H401
9A0824H401



9A0812F401
9A0824F401



9A0812M401
9A0824M401



9A0812L401
9A0824L401

80mm sq.

San Ace 80



General Specifications

- Material Frame: Plastics (Flammability: UL94V-0),
Impeller: Plastics (Flammability: UL94V-0)
- Expected Life Refer to specifications (L10: Survival rate: 90% at 60°C ,
rated voltage, and continuously run in a free air state)
- Lead Wire ⊕red ⊖black (Sensor) yellow (Control) brown
- Storage Temperature -30°C to +70°C (Non-condensing)

80×80×32mm (Mass : 130g) **9GA type** High Airflow Low Power Consumption Fan



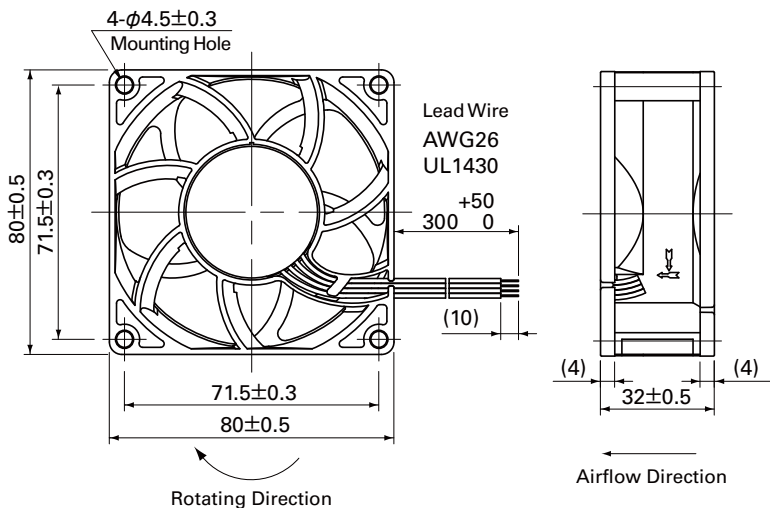
Specifications The following nos. **have PWM controls, pulse sensors, and ribs.** For ribless, append "1" to the model no.

Model No.	Rated Voltage [V]	Operating Voltage Range [V]	PWM duty cycle* [%]	Rated Current [A]	Rated Input [W]	Rated Speed [min ⁻¹]	Max. Airflow [m ³ /min] [CFM]	Max. Static Pressure [Pa] [inchH ₂ O]	SPL [dB(A)]	Operating Temperature [°C]	Expected Life [h]
9GA0812P2S001	12	10.2 to 13.8	100	0.83	9.96	9,700	2.45 86.5	360 1.45	57	-20 to +70	40,000/60°C
			0	0.08	0.96	2,800	0.71 25.1	30 0.12	24		
100			0.59	7.08	8,700	2.20 77.7	294 1.18	54			
0			0.05	0.6	2,600	0.66 23.3	26 0.105	21			
9GA0812P2H001		10.2 to 12.6	100	0.35	4.2	6,700	1.69 59.6	171 0.68	47	-20 to +55	
			0	0.04	0.48	1,400	0.35 12.3	7.5 0.03	10		
9GA0824P2S001	24	20.4 to 27.6	100	0.42	10.1	9,700	2.45 86.5	360 1.45	57	-20 to +70	
			0	0.05	1.2	2,800	0.71 25.1	30 0.12	24		
9GA0848P2S001	48	40.8 to 55.2	100	0.22	10.56	9,700	2.45 86.5	360 1.45	57	-10 to +70	
			0	0.04	1.92	2,800	0.71 25.1	30 0.12	24		

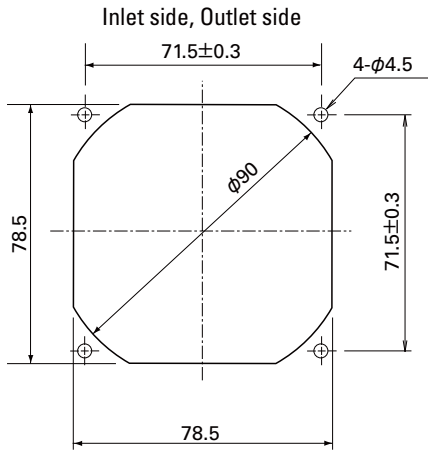
*PWM Frequency : 25kHz

Other sensor specifications are available as options. Please refer to the index (pp. 505 to 506).

Dimensions (unit: mm) (With ribs)



Reference Dimensions of Mounting Holes and Vent Opening (unit: mm)



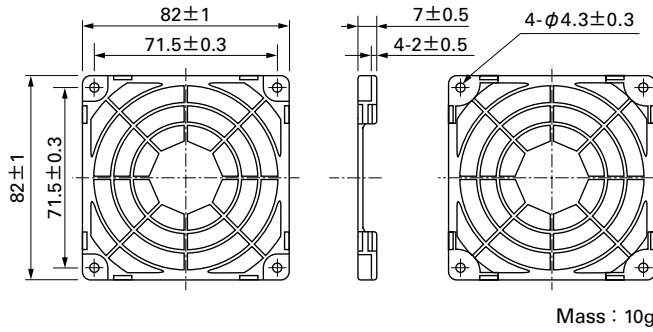
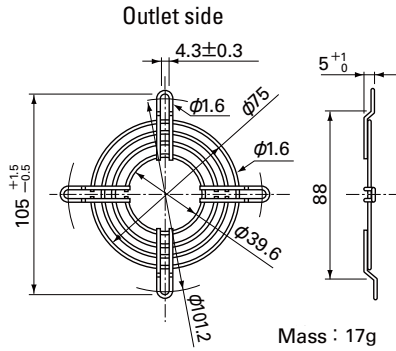
Options (unit: mm)

Finger Guards

Model : 109-049C Surface treatment : Nickel-chrome plating (silver) Color : 109-049H : Cation electropainting (black)

Resin Finger Guards

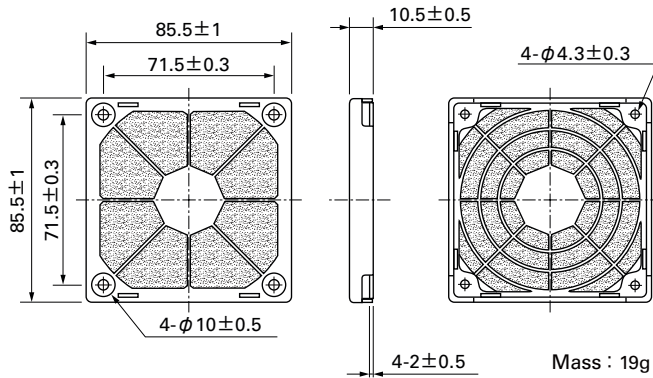
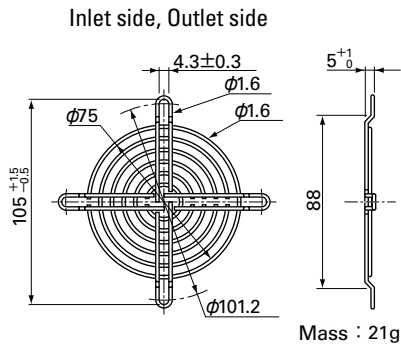
Model : 109-1002G



Model : 109-049E Surface treatment : Nickel-chrome plating (silver) Color : 109-049H : Cation electropainting (black)

Resin Filter Kits

Model : 109-1002F13 (13PPI), 109-1002F20 (20PPI) : 109-1002F30 (30PPI), 109-1002F40 (40PPI)



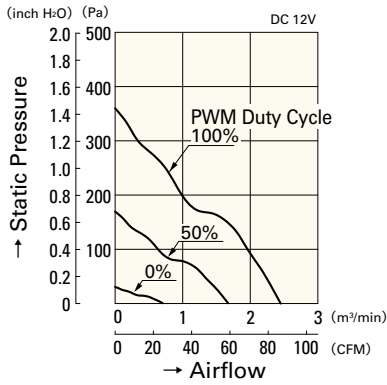
80mm sq.

San Ace 80

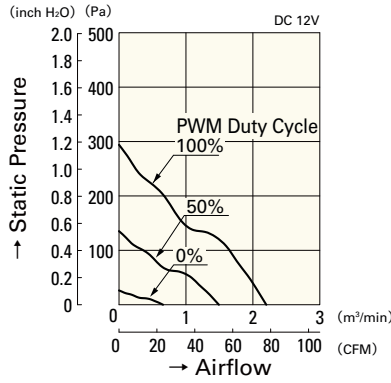
80×80×32mm [Mass : 130g]

Airflow - Static Pressure Characteristics

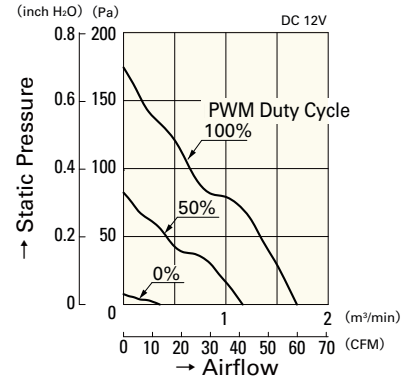
PWM Duty Cycle



9GA0812P2S001

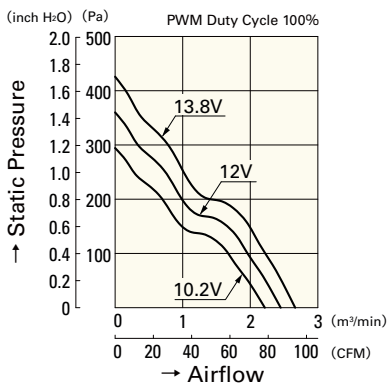


9GA0812P2H001

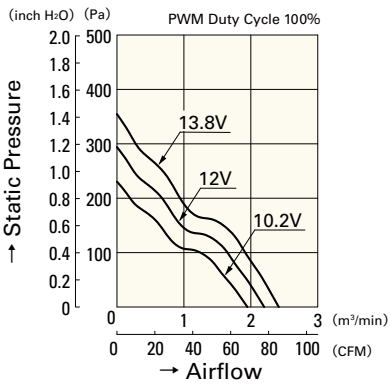


9GA0812P2M001

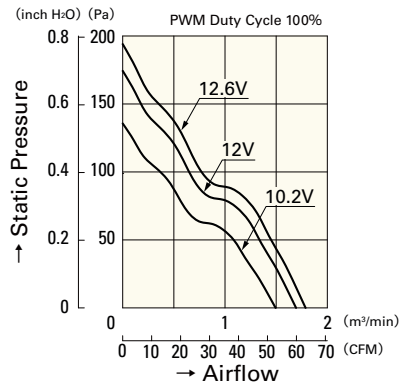
Operating Voltage Range



9GA0812P2S001

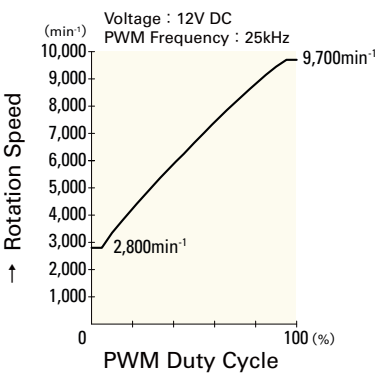


9GA0812P2H001

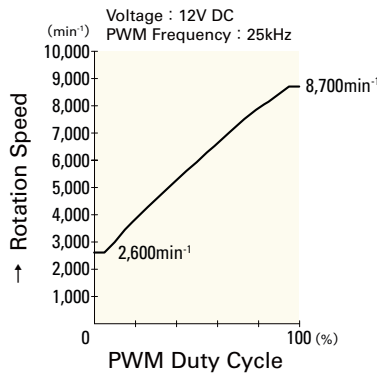


9GA0812P2M001

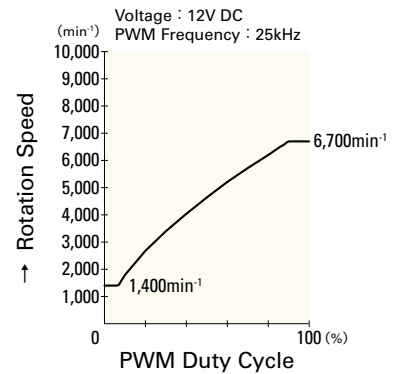
PWM Duty - Speed Characteristics Example



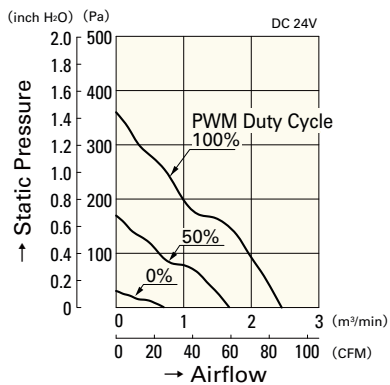
9GA0812P2S001



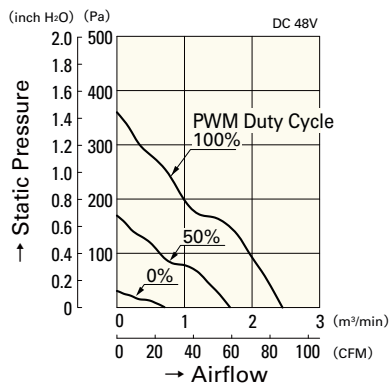
9GA0812P2H001



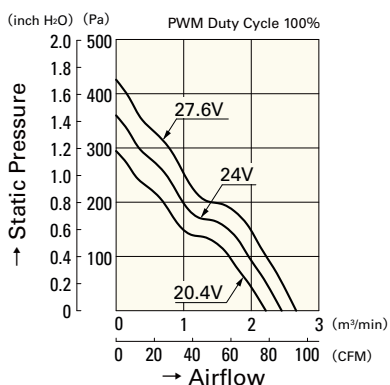
9GA0812P2M001



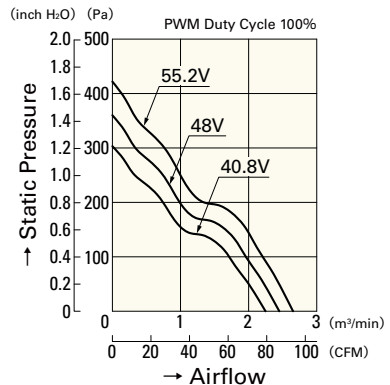
9GA0824P2S001



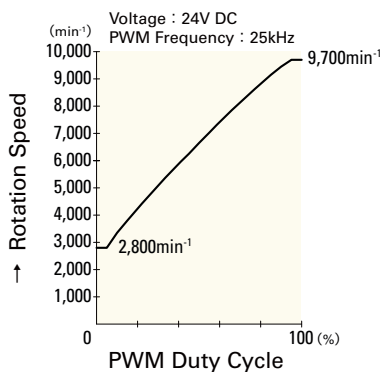
9GA0848P2S001



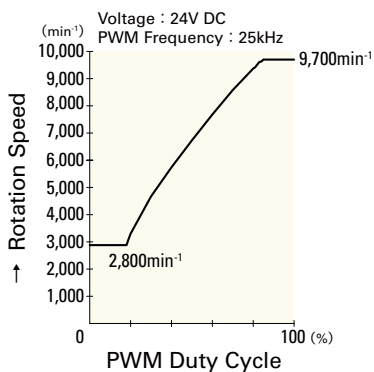
9GA0824P2S001



9GA0848P2S001



9GA0824P2S001



9GA0848P2S001

80 mm sq.

San Ace 80



General Specifications

- Material Frame: Plastics (Flammability: UL94V-0),
Impeller: Plastics (Flammability: UL94V-1)
- Expected Life Refer to specifications (L10:Survival rate:90% at 60°C ,
rated voltage, and continuously run in a free air state)
- Lead Wire ⊕red ⊖black or blue (Sensor) yellow
- Storage Temperature -30°C to +70°C (Non-condensing)

80×80×32mm (Mass : 150g) **9P type**

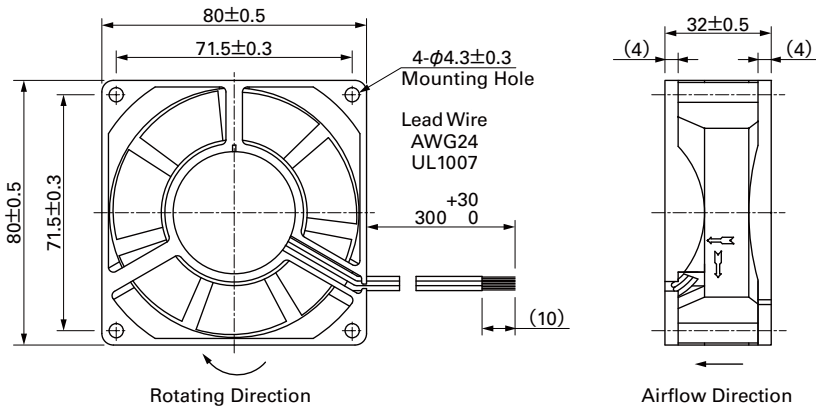
Specifications

The following nos. **have pulse sensors and ribs**. For ribless, append "1" to the model no.

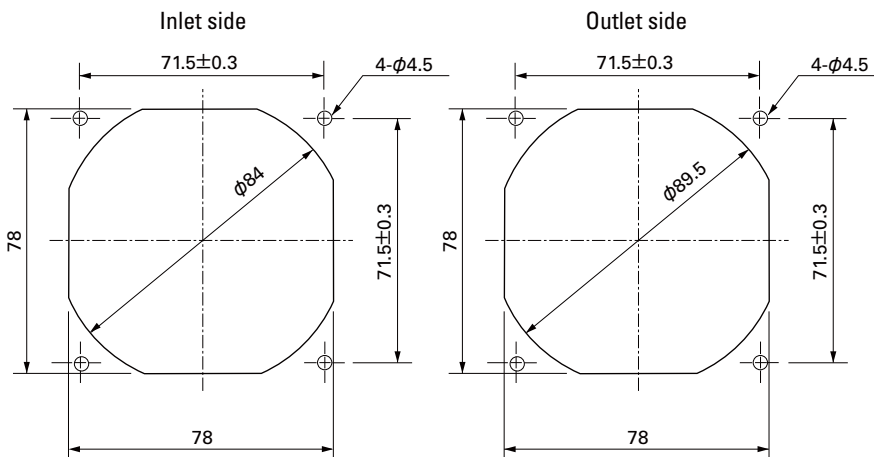
Model No.	Rated Voltage [V]	Operating Voltage Range [V]	Rated Current [A]	Rated Input [W]	Rated Speed [min ⁻¹]	Max. Airflow [m ³ /min] [CFM]	Max. Static Pressure [Pa] [inchH ₂ O]	SPL [dB(A)]	Operating Temperature [°C]	Expected Life [h]	
109P0812A201	12	6 to 13.2	0.56	6.72	4,600	1.52 53.7	91.1 0.366	45	-20 to +55	40,000(+55°C)	
109P0812H201		10.2 to 13.8	0.16	1.92	3,150	1.05 37.1	43.1 0.173	33		40,000/60°C	
109P0812M201			0.07	0.84	2,000	0.65 23.0	18.6 0.075	21		60,000/60°C	
109P0824A201	24	12 to 26.4	0.29	6.96	4,600	1.52 53.7	91.1 0.366	45	-20 to +60	40,000/60°C	
109P0824H201		20.4 to 27.6	0.09	2.16	3,150	1.05 37.1	43.1 0.173	33		-20 to +70	60,000/60°C
109P0824M201			0.04	0.96	2,000	0.65 23.0	18.6 0.075	21			60,000/60°C
109P0848H201	48	43 to 53	0.06	2.88	3,350	1.10 38.9	50.9 0.204	35	-20 to +70	40,000/60°C	

Other sensor specifications are available as options. Please refer to the index (pp. 497 to 498).

Dimensions (unit: mm) (With ribs)



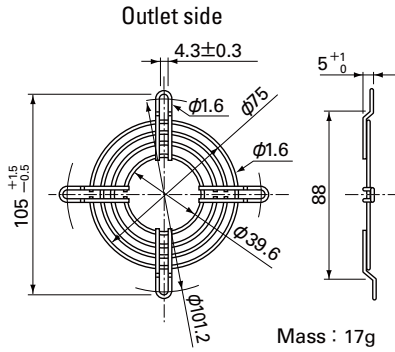
Reference Dimensions of Mounting Holes and Vent Opening (unit: mm)



Options (unit: mm)

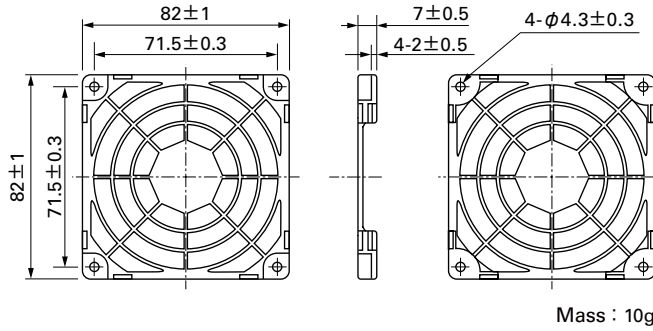
Finger Guards

Model : 109-049C Surface treatment : Nickel-chrome plating (silver) Color : 109-049H Surface treatment : Nickel-chrome plating (silver) : Cation electropainting (black)



Resin Finger Guards

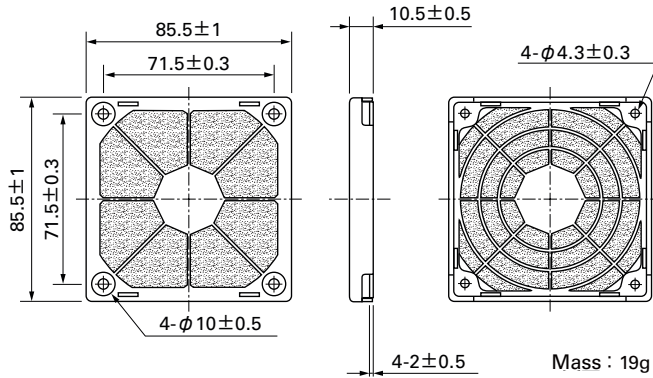
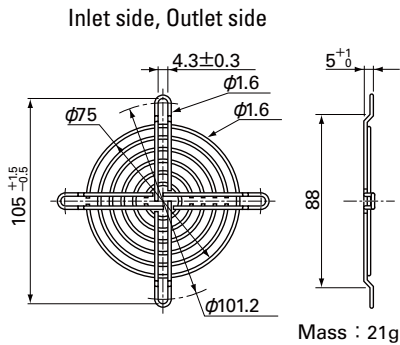
Model : 109-1002G



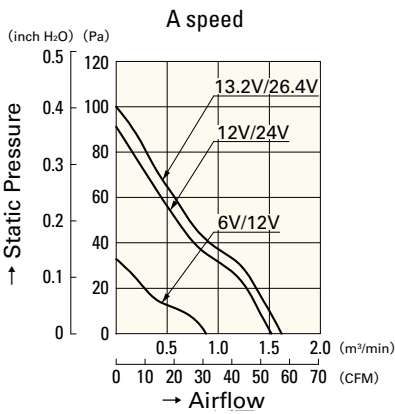
Model : 109-049E Surface treatment : Nickel-chrome plating (silver) : 109-049H Surface treatment : Nickel-chrome plating (silver) : Cation electropainting (black)

Resin Filter Kits

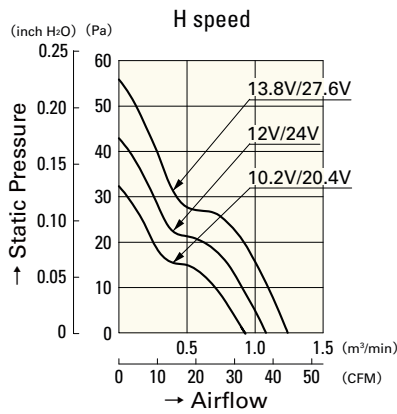
Model : 109-1002F13 (13PPI), 109-1002F20 (20PPI) : 109-1002F30 (30PPI), 109-1002F40 (40PPI)



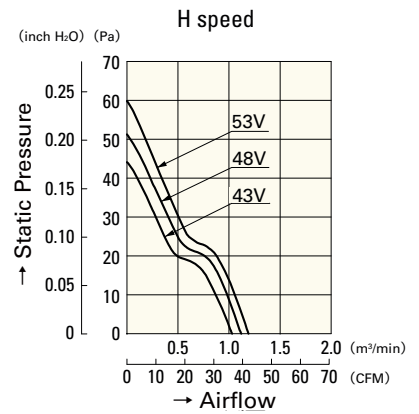
Airflow - Static Pressure Characteristics



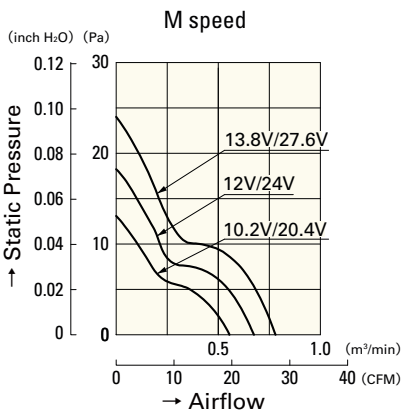
109P0812A201
109P0824A201



109P0812H201
109P0824H201



109P0848H201



109P0812M201
109P0824M201

80mm sq.

San Ace 80



General Specifications

- Material Frame: Plastics (Flammability: UL94V-0),
Impeller: Plastics (Flammability: UL94V-0)
- Expected Life Refer to specifications (L10:Survival rate:90% at 60°C ,
rated voltage, and continuously run in a free air state)
- Lead Wire ⊕red ⊖black (Sensor) yellow (Control) brown
- Storage Temperature -30°C to +70°C (Non-condensing)

80×80×38mm [Mass : 220g] **9HVA type**

Specifications

The following nos. **have PWM controls, pulse sensors, and ribs.** For ribless, append "1" to the model no.

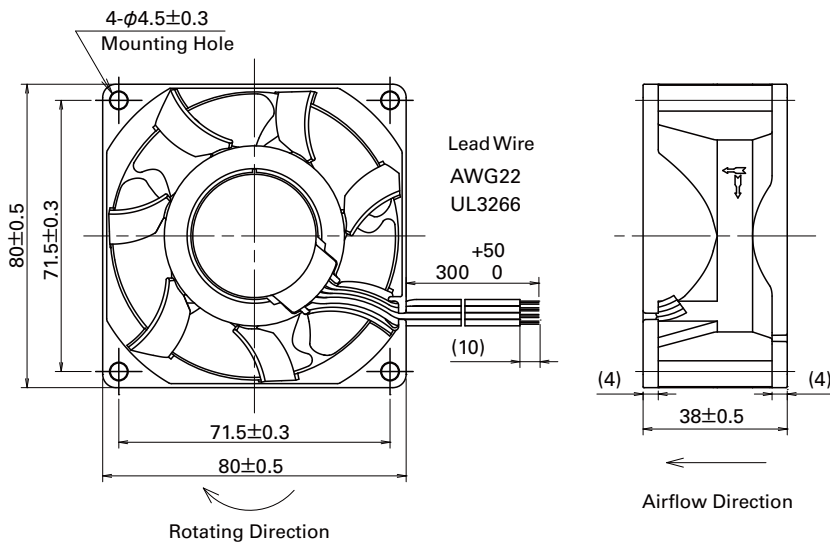
Model No.	Rated Voltage [V]	Operating Voltage Range [V]	PWM duty cycle ^{Note)1)} [%]	Rated Current [A]	Rated Input [W]	Rated Speed [min ⁻¹]	Max. Airflow [m ³ /min] [CFM]	Max. Static Pressure [Pa] [inchH ₂ O]	SPL [dB(A)]	Operating Temperature [°C]	Expected Life [h]
9HVA0812P1G001	12	10.8 to 13.2	100	3.5	42	16,100	3.75 132	1,350 5.4	73	-20 to +70	40,000/60°C (70,000/40°C)
			20	0.2	2.4	4,200	0.96 33.9	105 0.42	44		

Note: Fan does not rotate when PWM duty cycle is 0%.

*PWM Frequency : 25kHz

Other sensor specifications are available as options. Please refer to the index (p. 509).

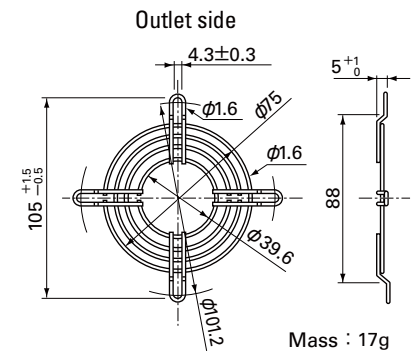
Dimensions (unit: mm) (With ribs)



Options (unit: mm)

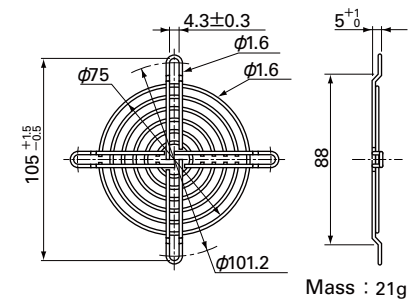
Finger Guards

Model : 109-049C Surface treatment : Nickel-chrome plating (silver) Color

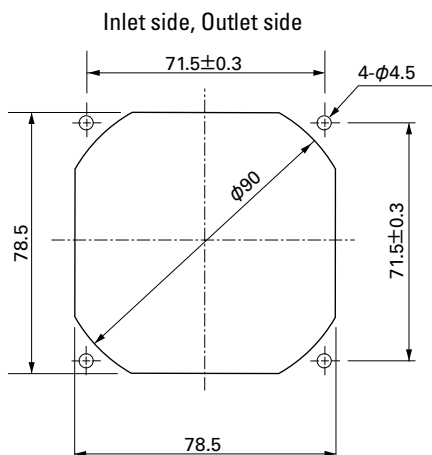


Model : 109-049E Surface treatment : Nickel-chrome plating (silver) Color
: 109-049H : Cation electropainting (black)

Inlet side, Outlet side



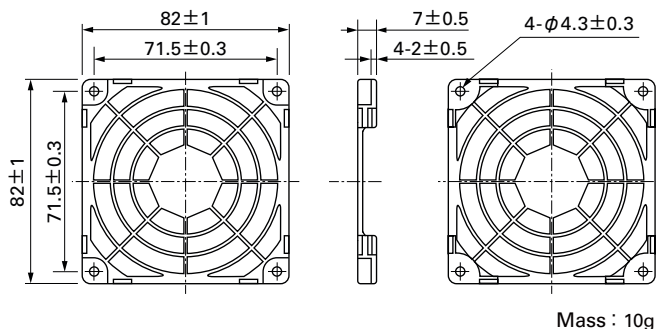
Reference Dimensions of Mounting Holes and Vent Opening (unit: mm)



Options (unit: mm)

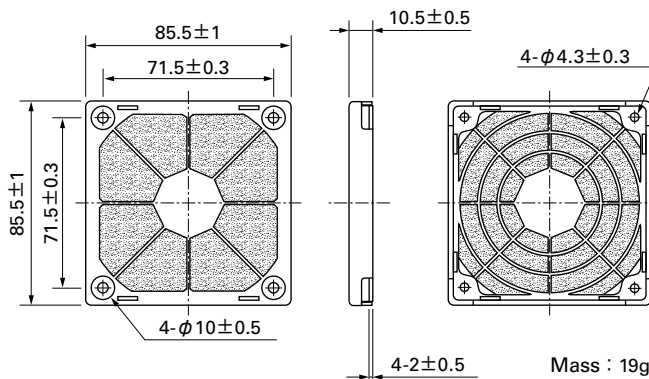
Resin Finger Guards

Model : 109-1002G



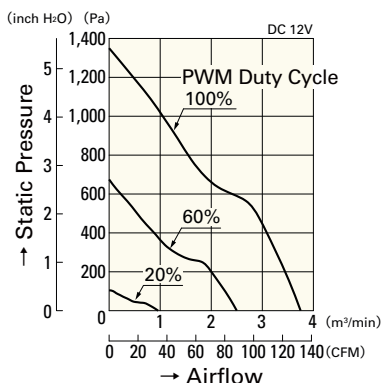
Resin Filter Kits

Model : 109-1002F13 (13PPI), 109-1002F20 (20PPI)
: 109-1002F30 (30PPI), 109-1002F40 (40PPI)



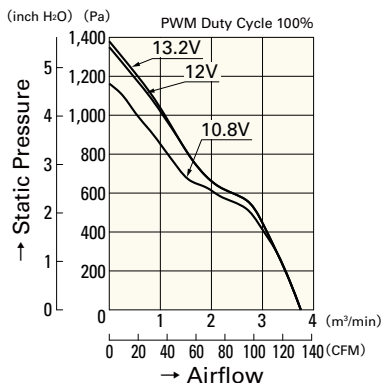
Airflow - Static Pressure Characteristics

PWM Duty Cycle



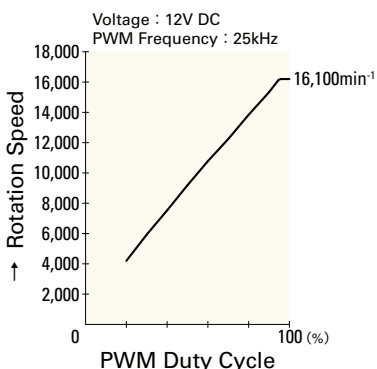
9HVA0812P1G001

Operating Voltage Range



9HVA0812P1G001

PWM Duty - Speed Characteristics Example



9HVA0812P1G001

80mm sq.

San Ace 80



General Specifications

- Material Frame: Plastics (Flammability: UL94V-0),
Impeller: Plastics (Flammability: UL94V-0)
- Expected Life Refer to specifications (L10:Survival rate:90% at 60°C ,
rated voltage, and continuously run in a free air state)
- Lead Wire ⊕red ⊖black (Sensor) yellow (Control) brown
- Storage Temperature -30°C to +70°C (Non-condensing)

80×80×38mm [Mass : 230g] **9HV type**

Specifications

The following nos. **have PWM controls, pulse sensors, and ribs.** For ribless, append "1" to the model no.

Model No.	Rated Voltage [V]	Operating Voltage Range [V]	PWM duty cycle※ [%]	Rated Current [A]	Rated Input [W]	Rated Speed [min ⁻¹]	Max. Airflow [m ³ /min] [CFM]	Max. Static Pressure [Pa] [inchH ₂ O]	SPL [dB(A)]	Operating Temperature [°C]	Expected Life [h]
9HV0812P1G001	12	10.8 to 13.2	100	3.4	40.8	14,900	3.7 130.7	1,000 4.0	69	-20 to +70	40,000/60°C (70,000/40°C)
9HV0824P1G003 ^{Note1,2)}	24	21.6 to 26.4	0	0.64	7.68	4,400	1.06 37.5	87.2 0.35	40		
9HV0848P1G001	48	36 to 57	100	0.85	40.8	14,900	3.7 130.7	1,000 4.0	69	-10 to +70	
			0	0.13	6.24	4,400	1.06 37.5	87.2 0.35	40		

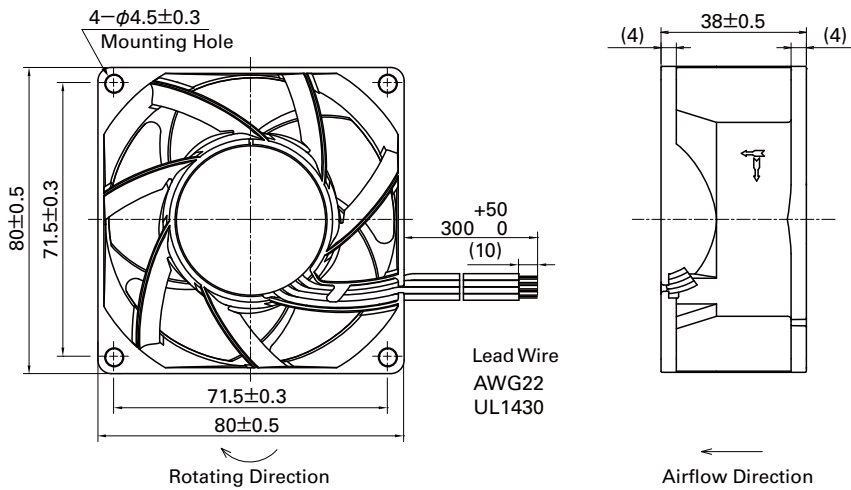
Note 1: Fan does not rotate when PWM duty cycle is 0%.

Note 2: Model no. for a ribless frame model is 9HV0824P1G0011.

※PWM Frequency : 25kHz

Other sensor specifications are available as options. Please refer to the index (p. 508).

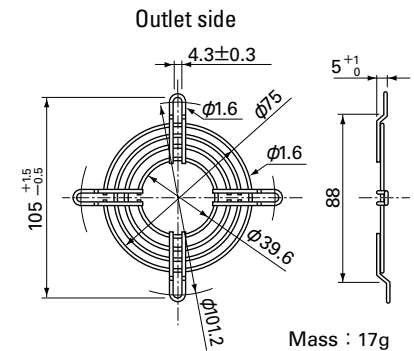
Dimensions (unit: mm) (With ribs)



Options (unit: mm)

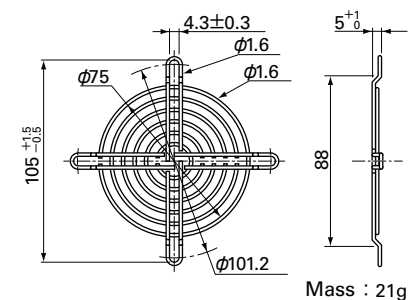
Finger Guards

Model : 109-049C Surface treatment : Nickel-chrome plating (silver) Color

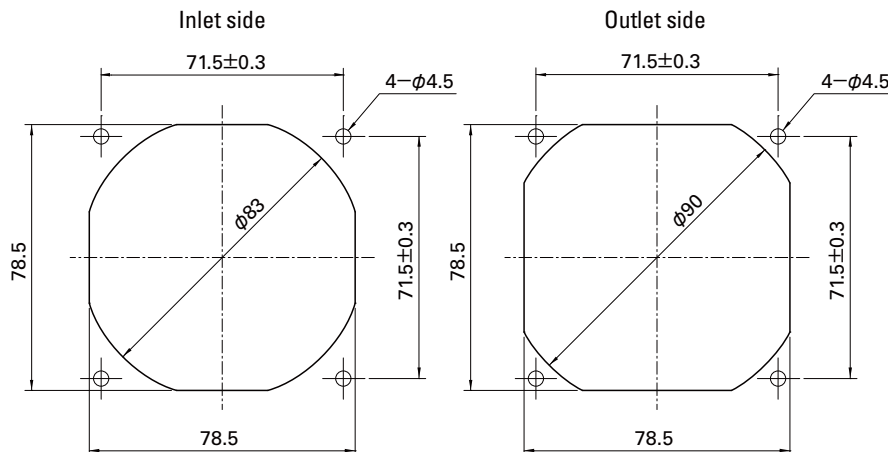


Model : 109-049E Surface treatment : Nickel-chrome plating (silver) Color
109-049H : Cation electropainting (black)

Inlet side, Outlet side



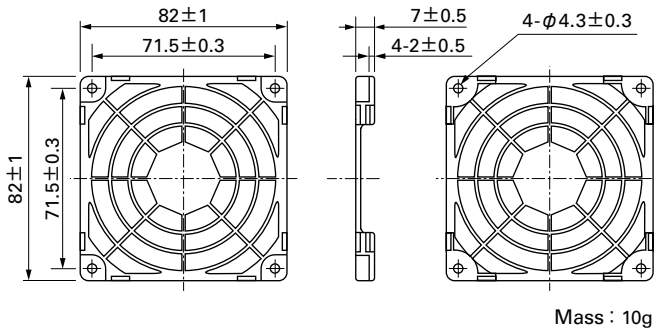
Reference Dimensions of Mounting Holes and Vent Opening (unit: mm)



Options (unit: mm)

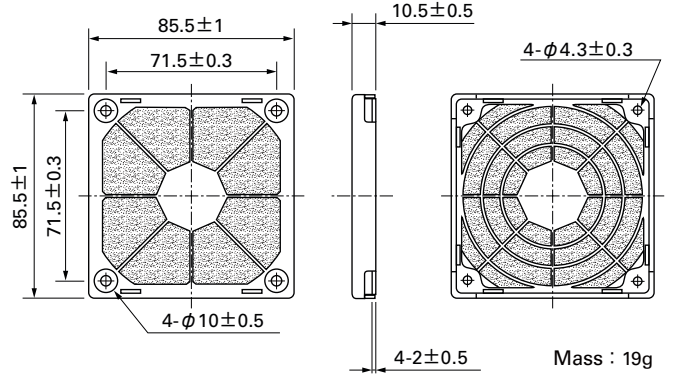
Resin Finger Guards

Model : 109-1002G



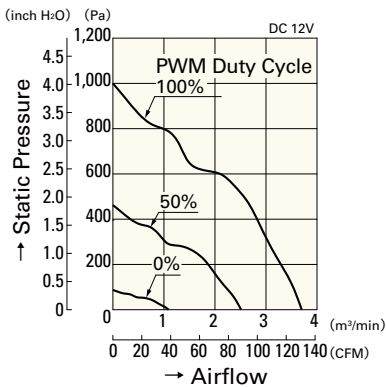
Resin Filter Kits

Model : 109-1002F13 (13PPI), 109-1002F20 (20PPI)
: 109-1002F30 (30PPI), 109-1002F40 (40PPI)

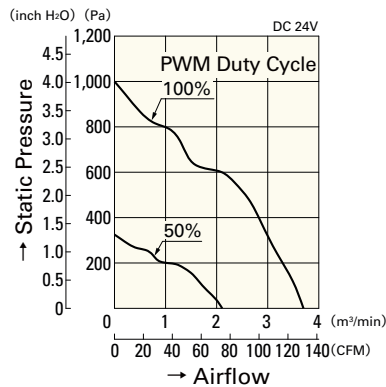


Airflow - Static Pressure Characteristics

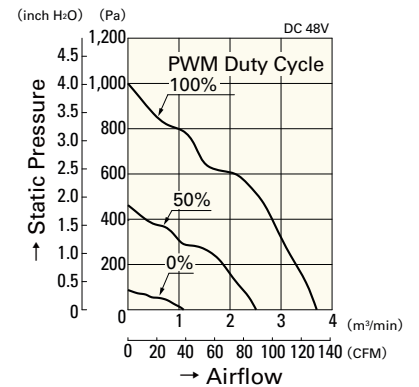
PWM Duty Cycle



9HV0812P1G001

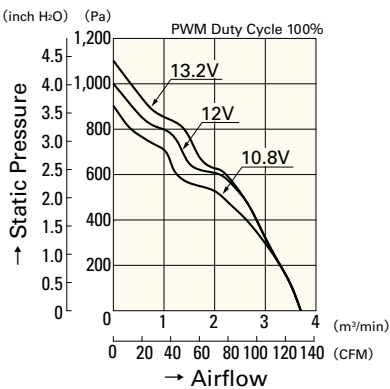


9HV0824P1G003

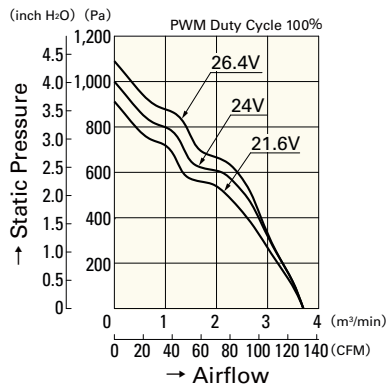


9HV0848P1G001

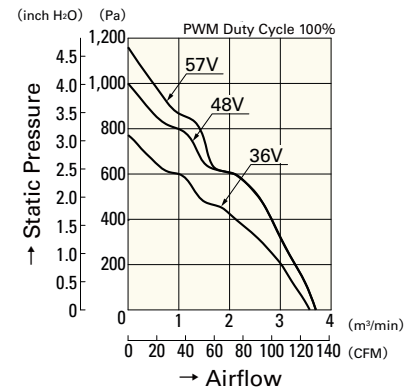
Operating Voltage Range



9HV0812P1G001

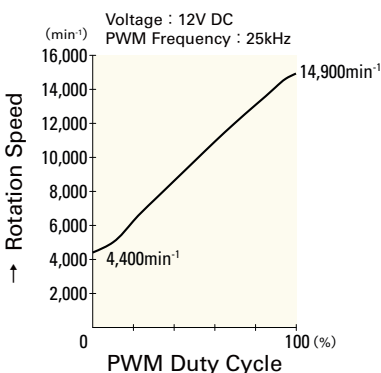


9HV0824P1G003

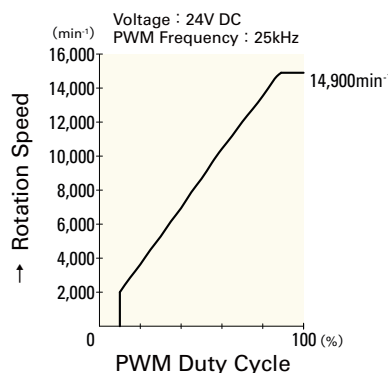


9HV0848P1G001

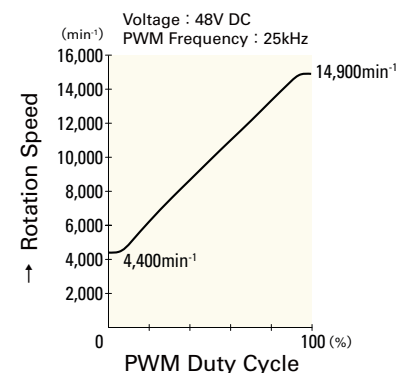
PWM Duty - Speed Characteristics Example



9HV0812P1G001



9HV0824P1G003



9HV0848P1G001

80mm sq.

San Ace 80



General Specifications

- Material Frame: Plastics (Flammability: UL94V-0),
Impeller: Plastics (Flammability: UL94V-0)
- Expected Life Refer to specifications (L10: Survival rate: 90% at 60°C ,
rated voltage, and continuously run in a free air state)
- Lead Wire ⊕red ⊖black (Sensor) yellow (Control) brown
- Storage Temperature -30°C to +70°C (Non-condensing)

80×80×38mm (Mass : 160g) **9GA** type **Low Power Consumption Fan**



Specifications

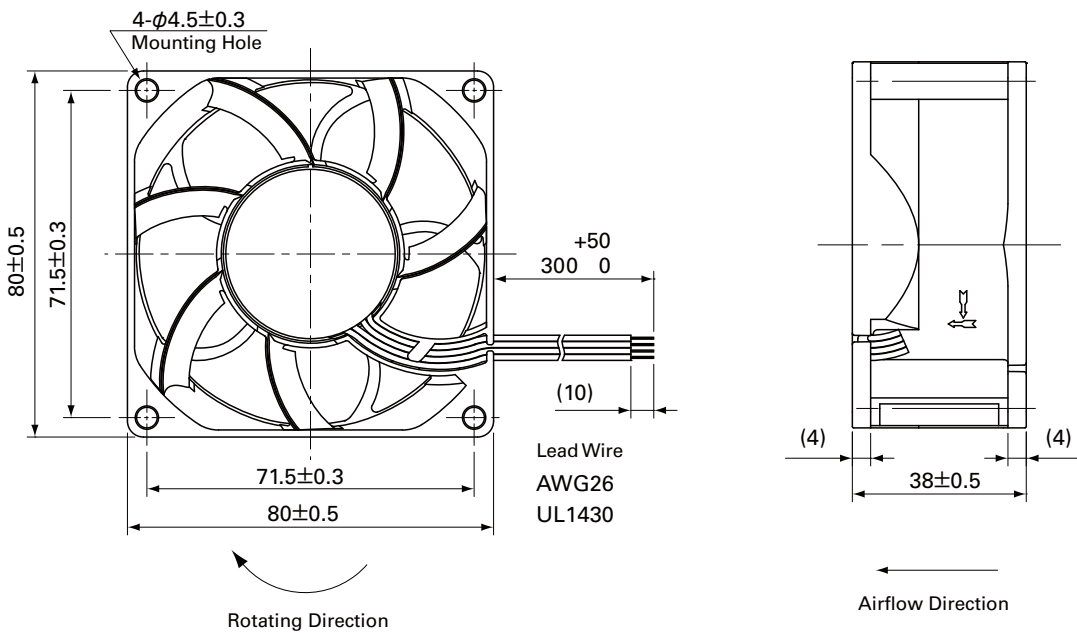
The following nos. **have PWM controls, pulse sensors, and ribs.** For ribless, append "1" to the model no.

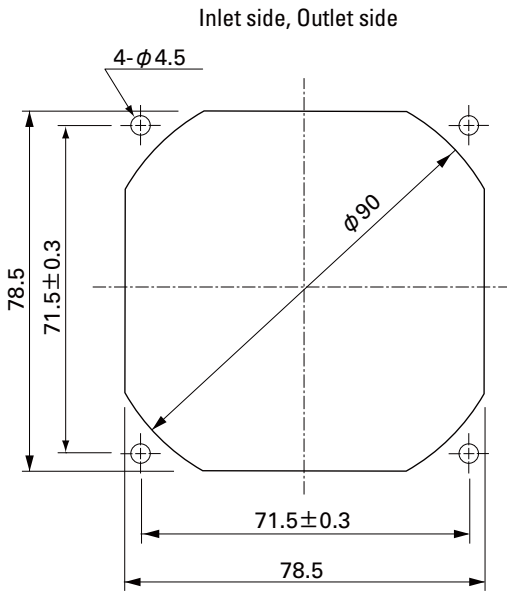
Model No.	Rated Voltage [V]	Operating Voltage Range [V]	PWM duty cycle* [%]	Rated Current [A]	Rated Input [W]	Rated Speed [min ⁻¹]	Max. Airflow [m ³ /min] [CFM]	Max. Static Pressure [Pa] [inchH ₂ O]	SPL [dB(A)]	Operating Temperature [°C]	Expected Life [h]		
9GA0812P1G61	12	10.8 to 13.2	100	1.2	14.4	10,500	2.85 100.6	480 1.93	60	-20 to +70	40,000/60°C (70,000/40°C)		
			0	0.04	0.48	2,000	0.51 18.0	28.7 0.11	21				
9GA0812P1S61			100	0.94	11.28	9,550	2.6 91.8	480 1.93	59				
			0	0.1	1.2	2,900	0.74 26.1	60 0.24	27				
9GA0812P1H61			100	0.6	7.2	8,250	2.25 79.4	380 1.53	55				
			0	0.08	0.96	2,500	0.64 22.6	45 0.18	24				
9GA0824P1S61	24	20.4 to 27.6	100	0.47	11.28	9,550	2.6 91.8	480 1.93	59				
			0	0.06	1.44	2,900	0.74 26.1	60 0.24	27				
9GA0824P1H61			100	0.3	7.2	8,250	2.25 79.4	380 1.53	55				
			0	0.05	1.2	2,500	0.64 22.6	45 0.18	24				
9GA0848P1S61			48	40.8 to 55.2	100	0.25	12	9,550	2.6 91.8			480 1.93	59
					0	0.04	1.92	2,990	0.74 26.1			60 0.24	27

*PWM Frequency : 25kHz

Other sensor specifications are available as options. Please refer to the index (pp. 505 to 506).

Dimensions (unit: mm) (With ribs)



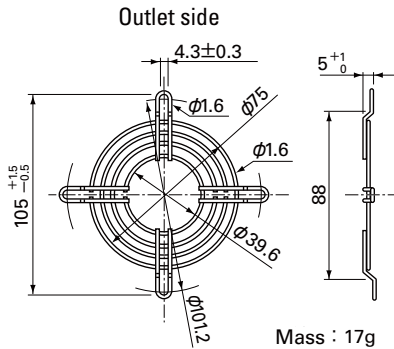


Options (unit: mm)

Finger Guards

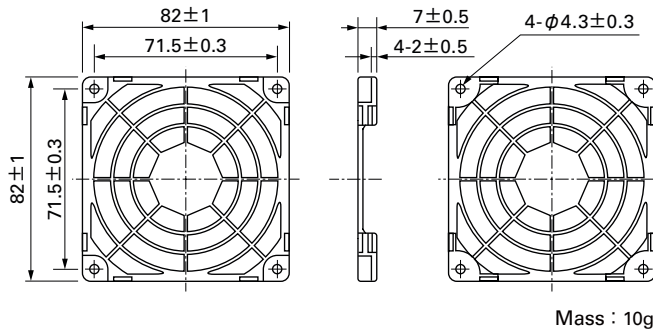
Model : 109-049C Surface treatment : Nickel-chrome plating (silver)

Color



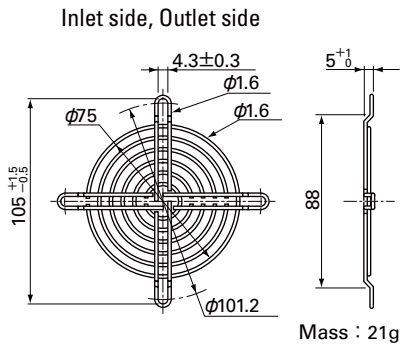
Resin Finger Guards

Model : 109-1002G



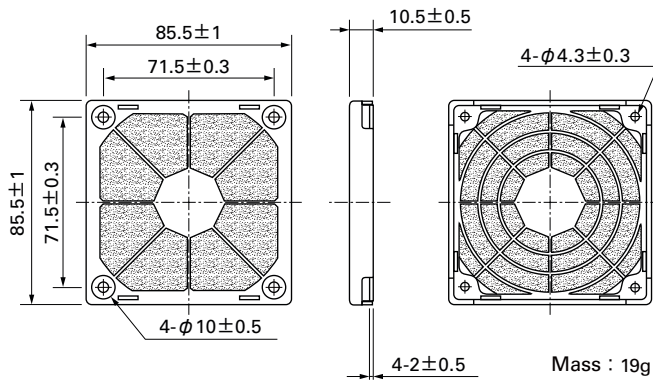
Model : 109-049E Surface treatment : Nickel-chrome plating (silver)
: 109-049H : Cation electropainting (black)

Color



Resin Filter Kits

Model : 109-1002F13 (13PPI), 109-1002F20 (20PPI)
: 109-1002F30 (30PPI), 109-1002F40 (40PPI)



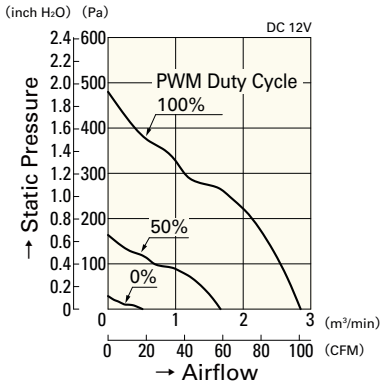
80 mm sq.

San Ace 80

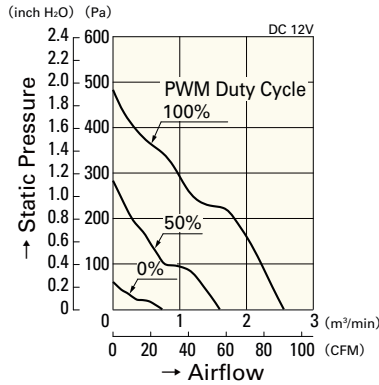
80×80×38mm [Mass : 160g]

Airflow - Static Pressure Characteristics

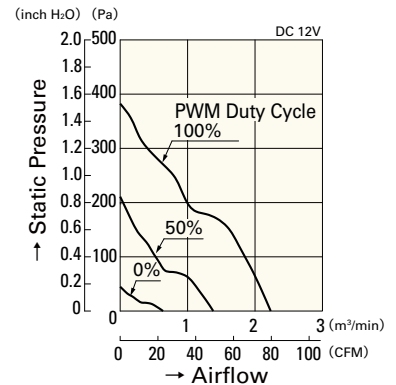
PWM Duty Cycle



9GA0812P1G61

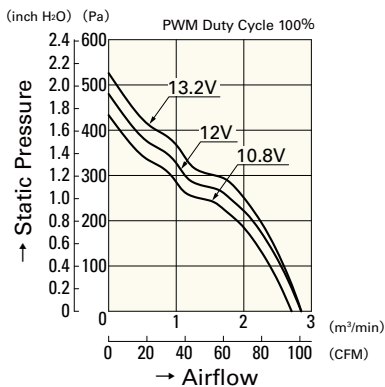


9GA0812P1S61

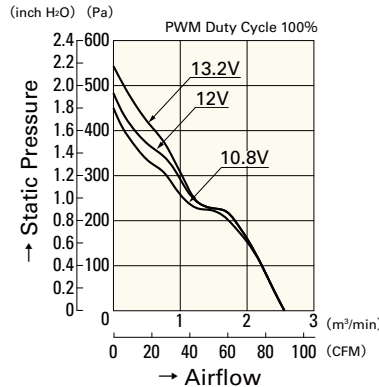


9GA0812P1H61

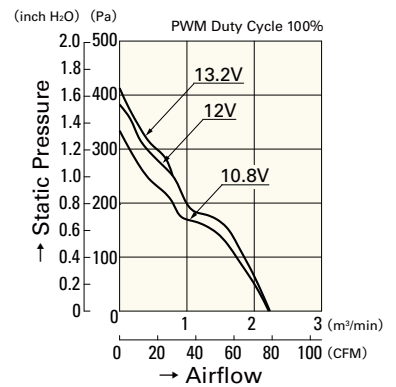
Operating Voltage Range



9GA0812P1G61

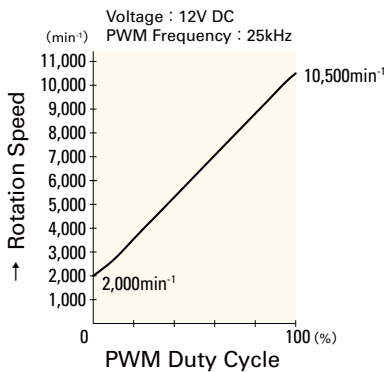


9GA0812P1S61

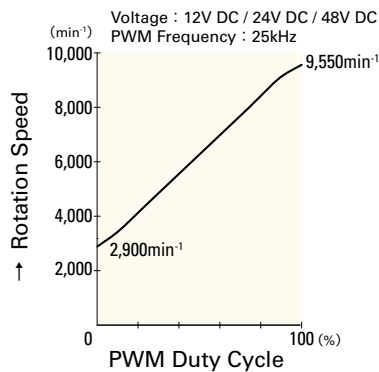


9GA0812P1H61

PWM Duty - Speed Characteristics Example



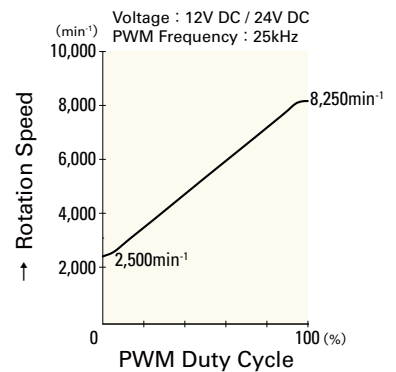
9GA0812P1G61



9GA0812P1S61

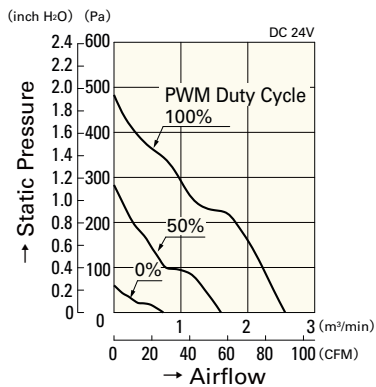
9GA0824P1S61

9GA0848P1S61

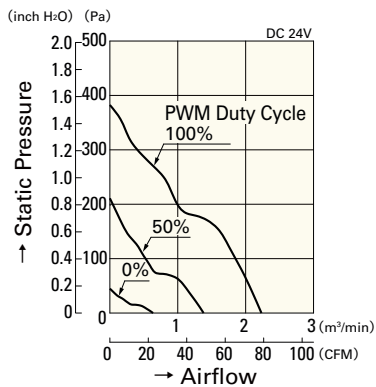


9GA0812P1H61

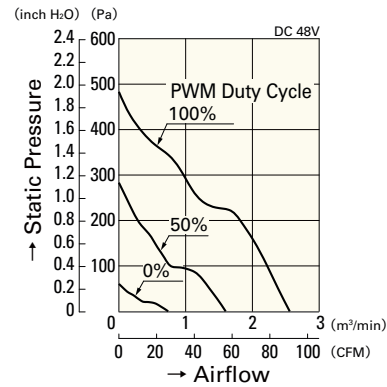
9GA0824P1H61



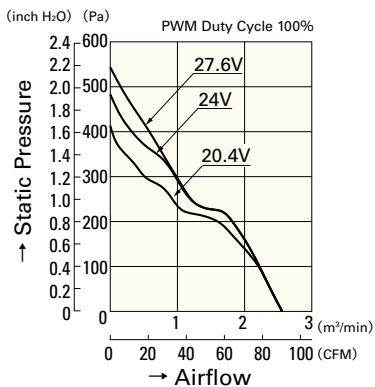
9GA0824P1S61



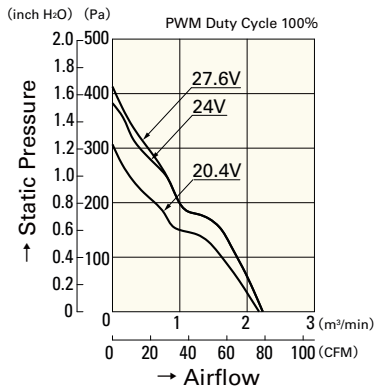
9GA0824P1H61



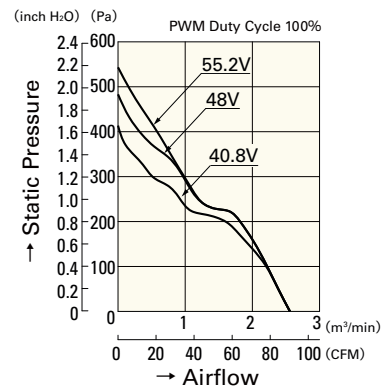
9GA0848P1S61



9GA0824P1S61



9GA0824P1H61



9GA0848P1S61

80mm sq.

San Ace 80



General Specifications

- Material Frame: Plastics (Flammability: UL94V-0),
Impeller: Plastics (Flammability: UL94V-1)
- Expected Life Refer to specifications (L10:Survival rate:90% at 60°C ,
rated voltage, and continuously run in a free air state)
- Lead Wire ⊕red ⊖black (Sensor) yellow (Control) brown
- Storage Temperature -30°C to +70°C (Non-condensing)

80×80×38mm (Mass : 220g) **9GV type**

Specifications

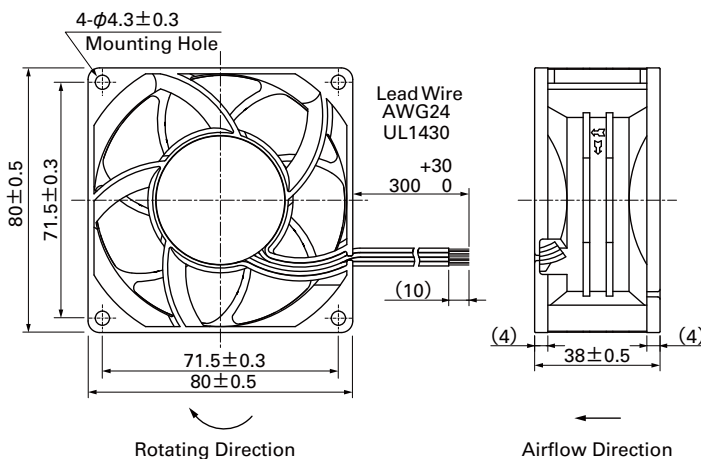
The following nos. **have PWM controls, pulse sensors, and ribs.** For ribless, append "1" to the model no.

Model No.	Rated Voltage [V]	Operating Voltage Range [V]	PWM duty cycle※ [%]	Rated Current [A]	Rated Input [W]	Rated Speed [min ⁻¹]	Max. Airflow [m ³ /min] [CFM]	Max. Static Pressure [Pa] [inchH ₂ O]	SPL [dB(A)]	Operating Temperature [°C]	Expected Life [h]	
9GV0812P1G03	12	10.8 to 13.2	100	3.80	45.60	10,200	3.90 138.0	490.0 1.97	65	-20 to +70	40,000/60°C	
			0	0.32	3.84	3,000	1.15 40.6	42.4 0.17	34			
9GV0812P1H03			100	3.00	36.00	9,700	3.70 131.0	440.0 1.77	63			
			0	0.20	2.40	2,900	1.11 39.2	39.0 0.16	34			
9GV0812P1F03			10.2 to 13.8	100	1.5	18	8,000	3.05 108.0	301.0 1.21			58
				0	0.12	1.44	2,400	0.92 32.0	27.1 0.11			26
9GV0812P1M03	100	0.75		9	6,000	2.29 81.0	169.0 0.68	51				
	0	0.09		1.08	1,700	0.65 23.0	13.6 0.05	19				
9GV0824P1G03	24	20.4 to 27.6		100	1.6	38.40	10,200	3.9 138.0	490.0 1.97			65
9GV0848P1G03	48	40.8 to 55.2		100	0.84	40.32	10,200	3.9 138.0	490.0 1.97			65
			0	0.15	7.2	4,700	1.79 63.2	104.0 0.41	44			

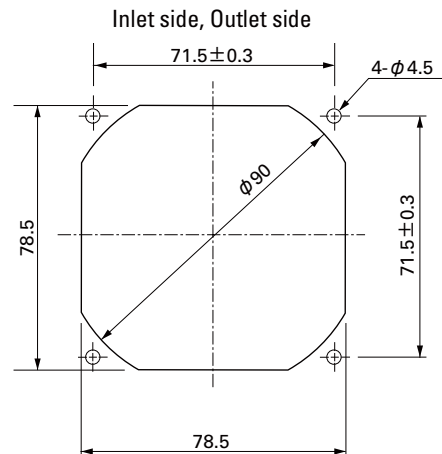
※PWM Frequency : 25kHz

Other sensor specifications are available as options. Please refer to the index (p. 507).

Dimensions (unit: mm) (With ribs)

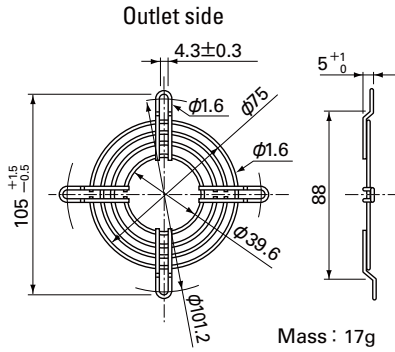


Reference Dimensions of Mounting Holes and Vent Opening (unit: mm)



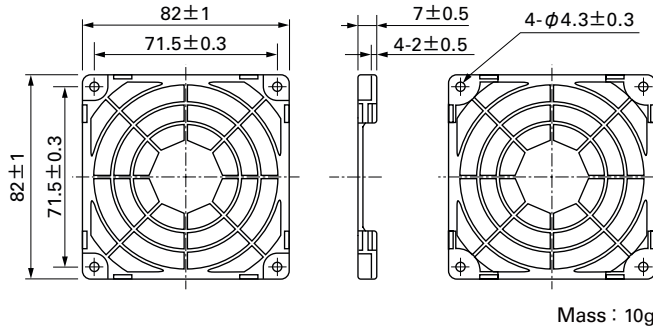
Finger Guards

Model : 109-049C Surface treatment : Nickel-chrome plating (silver) Color (silver)



Resin Finger Guards

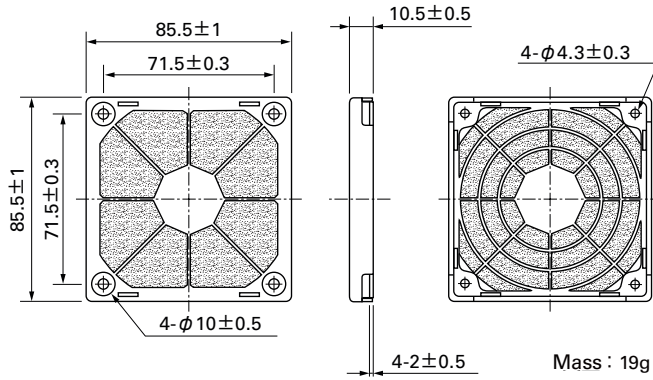
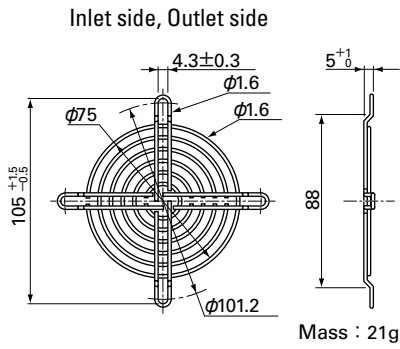
Model : 109-1002G



Model : 109-049E Surface treatment : Nickel-chrome plating (silver) Color (silver)
: 109-049H : Cation electropainting (black)

Resin Filter Kits

Model : 109-1002F13 (13PPI), 109-1002F20 (20PPI)
: 109-1002F30 (30PPI), 109-1002F40 (40PPI)



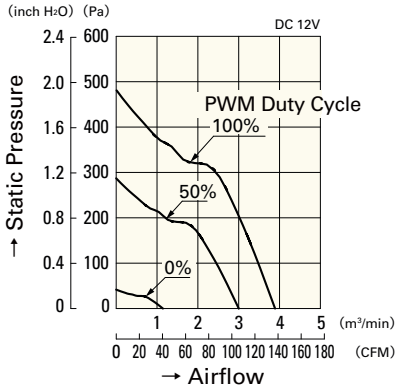
80mm sq.

San Ace 80

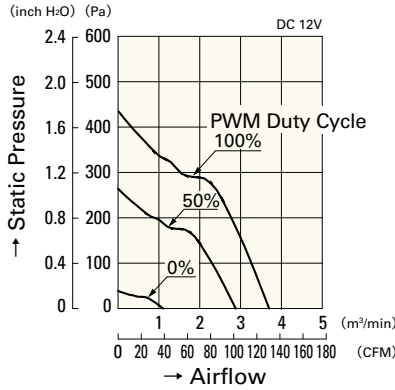
80×80×38mm [Mass : 220g]

Airflow - Static Pressure Characteristics

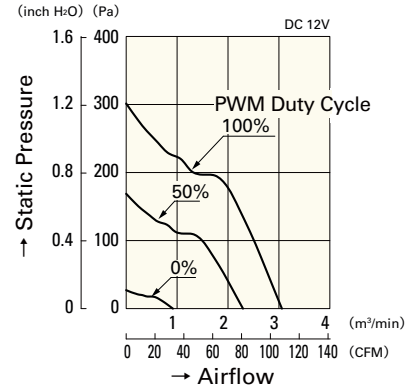
PWM Duty Cycle



9GV0812P1G03

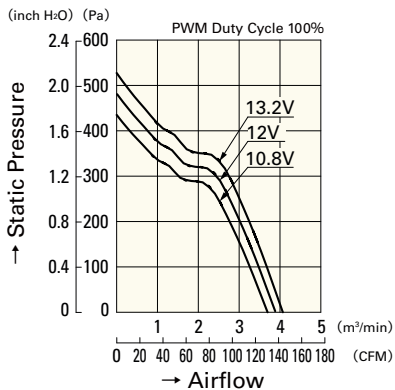


9GV0812P1H03

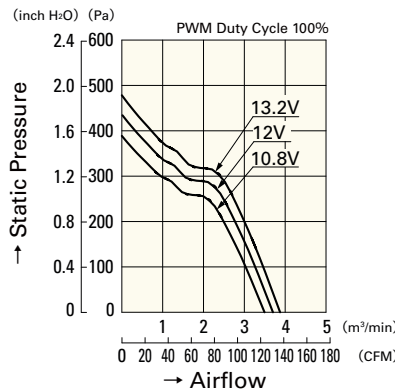


9GV0812P1F03

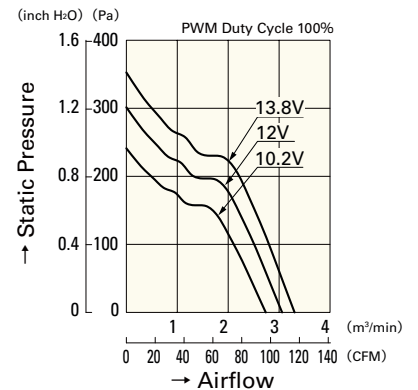
Operating Voltage Range



9GV0812P1G03

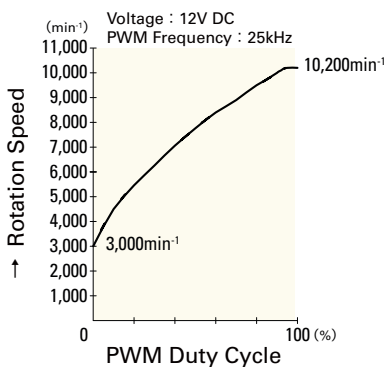


9GV0812P1H03

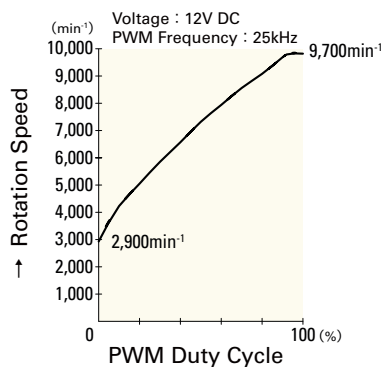


9GV0812P1F03

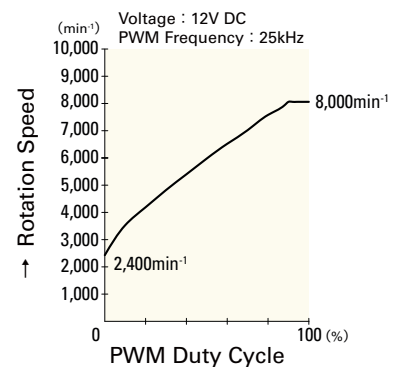
PWM Duty - Speed Characteristics Example



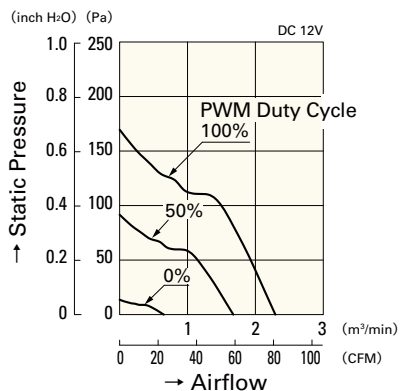
9GV0812P1G03



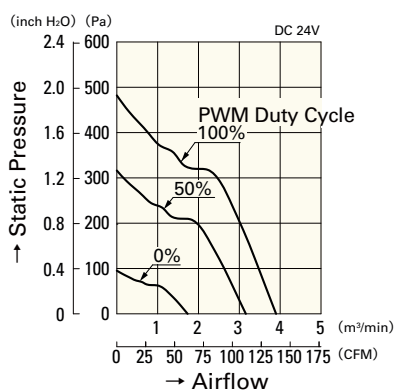
9GV0812P1H03



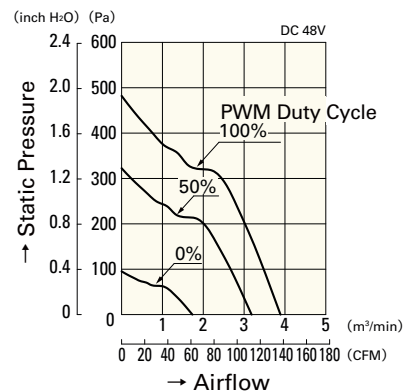
9GV0812P1F03



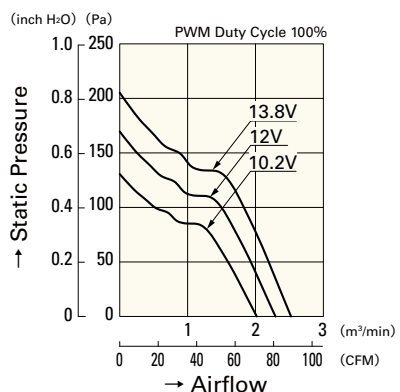
9GV0812P1M03



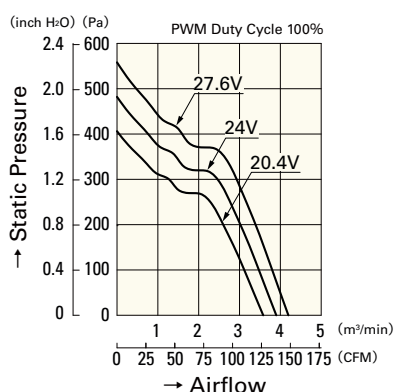
9GV0824P1G03



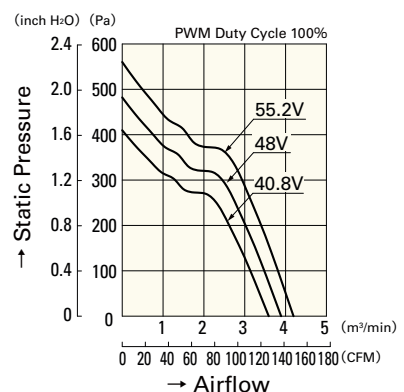
9GV0848P1G03



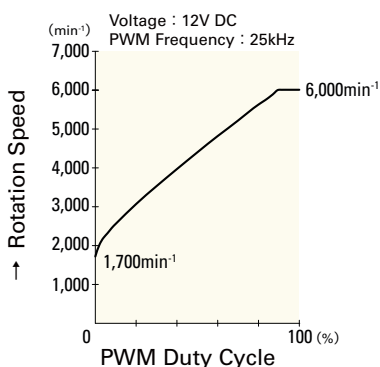
9GV0812P1M03



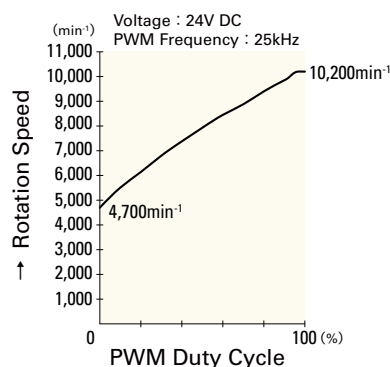
9GV0824P1G03



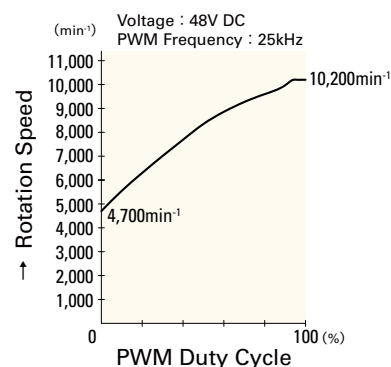
9GV0848P1G03



9GV0812P1M03



9GV0824P1G03



9GV0848P1G03

80mm sq.

San Ace 80



General Specifications

- Material Frame: Plastics (Flammability: UL94V-0),
Impeller: Plastics (Flammability: UL94V-0)
- Expected Life Refer to specifications (L10:Survival rate:90% at 60°C ,
rated voltage, and continuously run in a free air state)
- Lead Wire ⊕red ⊖black (Sensor) yellow
- Storage Temperature -30°C to +70°C (Non-condensing)

80×80×38mm [Mass : 170g] **9G type**

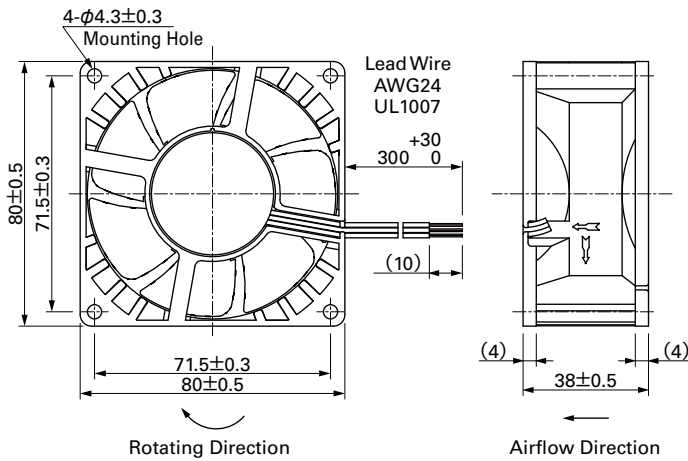
Specifications

The following nos. **have pulse sensors and ribs**. For ribless, append "1" to the model no.

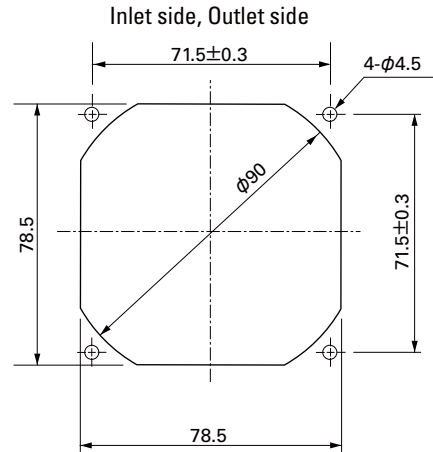
Model No.	Rated Voltage [V]	Operating Voltage Range [V]	Rated Current [A]	Rated Input [W]	Rated Speed [min ⁻¹]	Max. Airflow [m ³ /min] [CFM]	Max. Static Pressure [Pa] [inchH ₂ O]	SPL [dB(A)]	Operating Temperature [°C]	Expected Life [h]
9G0812K101	12	10.8 to 13.2	1.8	21.6	7,800	3.10 107.3	310 1.285	58	-20 to +60	40,000/60°C
9G0812G101		7 to 13.8	1.1	13.2	6,300	2.55 90	211 0.847	51		
9G0812H101			0.9	10.8	5,700	2.28 80	171 0.687	49		
9G0824G101	24	20.4 to 27.6	0.56	13.4	6,300	2.55 90	211 0.847	51		
9G0824H101			0.42	10.1	5,700	2.28 80	171 0.687	49		
9G0848G101	48	40.8 to 55.2	0.27	13.0	6,300	2.55 90	211 0.847	51		
9G0848H101			0.20	9.6	5,700	2.28 80	171 0.687	49		

Other sensor specifications are available as options. Please refer to the index (p. 502).

Dimensions (unit: mm) (With ribs)



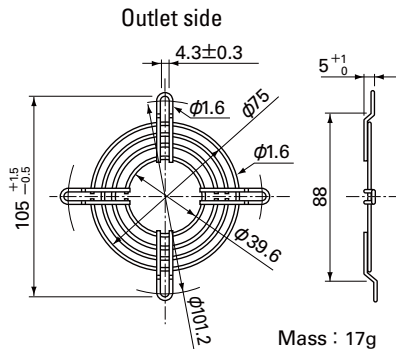
Reference Dimensions of Mounting Holes and Vent Opening (unit: mm)



Options (unit: mm)

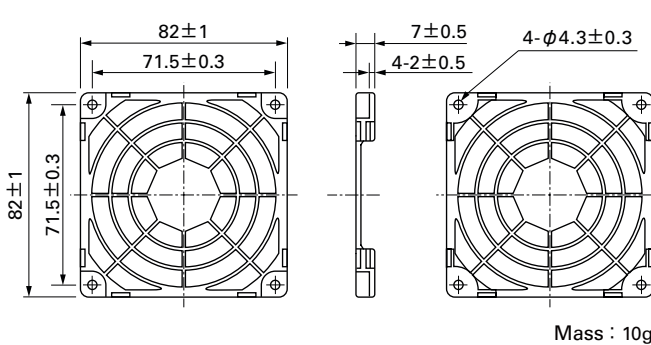
Finger Guards

Model : 109-049C Color : Nickel-chrome plating (silver)
 Model : 109-049H Surface treatment : Cation electropainting (black)



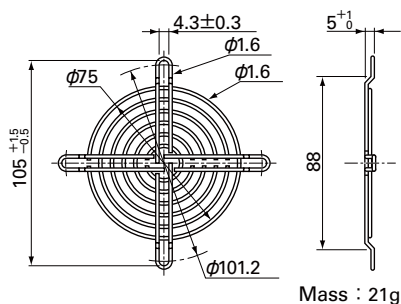
Resin Finger Guards

Model : 109-1002G



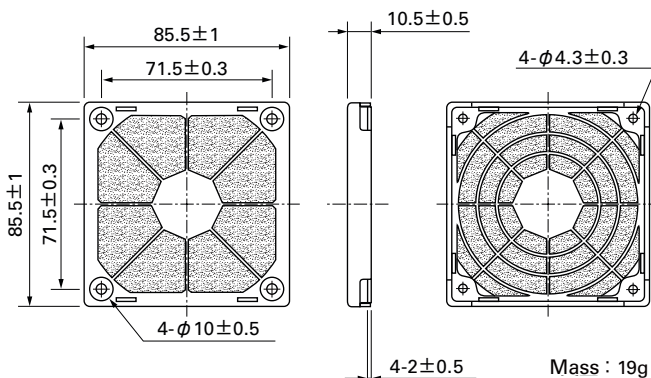
Model : 109-049E Color : Nickel-chrome plating (silver)
 Model : 109-049H Surface treatment : Cation electropainting (black)

Inlet side, Outlet side

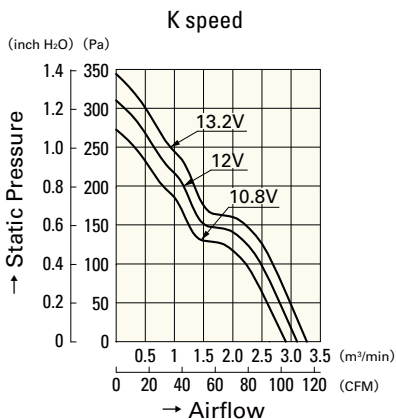


Resin Filter Kits

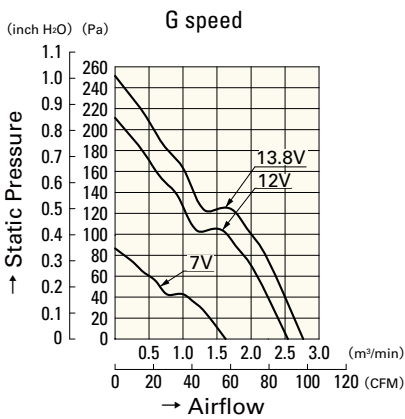
Model : 109-1002F13 (13PPI), 109-1002F20 (20PPI)
 Model : 109-1002F30 (30PPI), 109-1002F40 (40PPI)



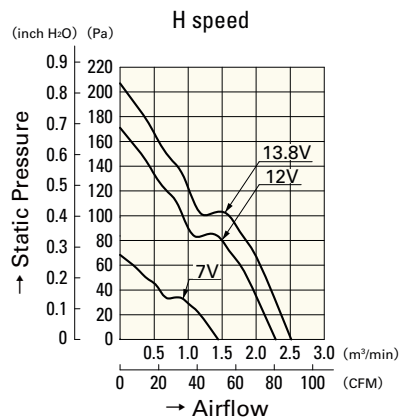
Airflow - Static Pressure Characteristics



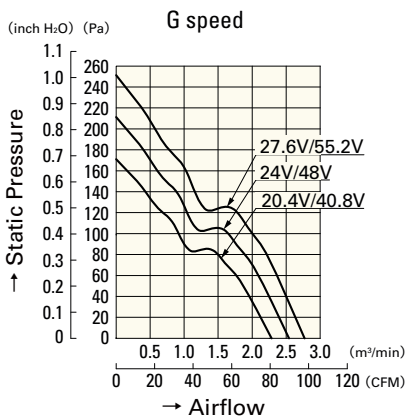
9G0812K101



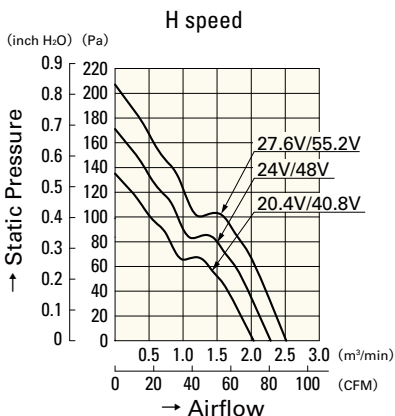
9G0812G101



9G0812H101



9G0824G101
9G0848G101



9G0824H101
9G0848H101

92mm sq.

San Ace 92



General Specifications

- Material Frame: Plastics (Flammability: UL94V-0),
Impeller: Plastics (Flammability: UL94V-0)
- Expected Life Refer to specifications (L10:Survival rate:90% at 60°C ,
rated voltage, and continuously run in a free air state)
- Lead Wire ⊕red ⊖black (Sensor) yellow (Control) brown
- Storage Temperature -30°C to +70°C (Non-condensing)

92×92×25mm (Mass : 125g) **9GA type** **Low Power Consumption Fan**



Specifications

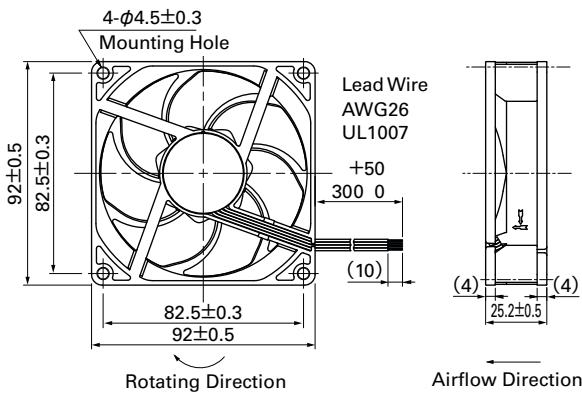
The following nos. **have PWM controls, pulse sensors, and ribs.** For ribless, append "1" to the model no.

Model No.	Rated Voltage [V]	Operating Voltage Range [V]	PWM duty cycle※ [%]	Rated Current [A]	Rated Input [W]	Rated Speed [min ⁻¹]	Max. Airflow [m ³ /min] [CFM]	Max. Static Pressure [Pa] [inchH ₂ O]	SPL [dB(A)]	Operating Temperature [°C]	Expected Life [h]
9GA0912P4J03	12	10.2 to 13.8	100	0.39	4.68	5,000	2.20 77.7	105 0.42	43	-20 to +70	60,000/60°C
			0	0.06	0.72	1,500	0.65 23.3	9.4 0.04	14		
9GA0912P4G03			100	0.28	3.36	4,400	1.93 68.2	81 0.33	39		
			0	0.06	0.72	1,500	0.65 23.3	9.4 0.04	14		
9GA0912P4S03			100	0.2	2.4	3,800	1.67 59.0	60.6 0.24	35		
			0	0.06	0.72	1,500	0.65 23.3	9.4 0.04	14		
9GA0924P4J03	24	20.4 to 27.6	100	0.2	4.80	5,000	2.20 77.7	105 0.42	43		
			0	0.04	0.96	1,500	0.65 23.3	9.4 0.04	14		
9GA0924P4G03			100	0.15	3.60	4,400	1.93 68.2	81 0.33	39		
			0	0.04	0.96	1,500	0.65 23.3	9.4 0.04	14		
9GA0924P4S03			100	0.12	2.88	3,800	1.67 59.0	60.6 0.24	35		
			0	0.04	0.96	1,500	0.65 23.3	9.4 0.04	14		

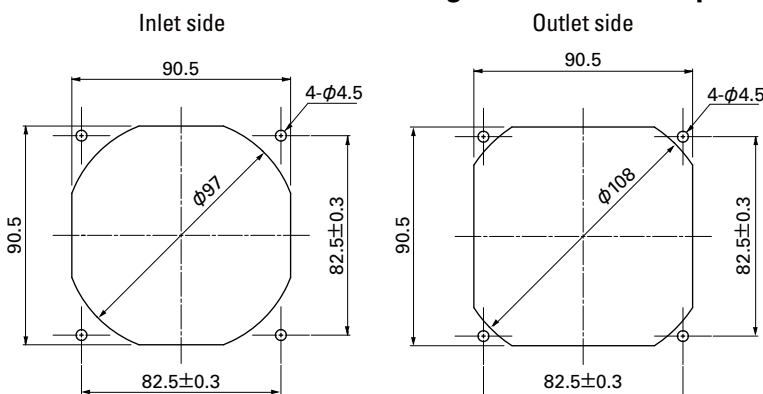
※PWM Frequency : 25kHz

Other sensor specifications are available as options. Please refer to the index (p. 506).

Dimensions (unit: mm) (With ribs)



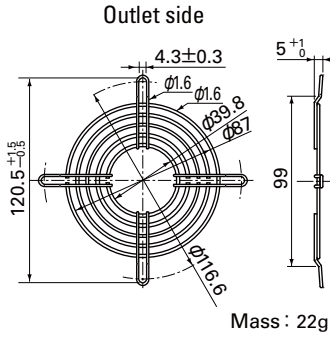
Reference Dimensions of Mounting Holes and Vent Opening (unit: mm)



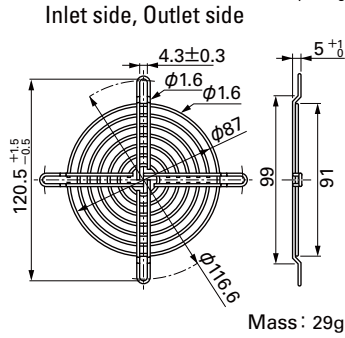
Options (unit: mm)

Finger Guards

Model : 109-099C Surface treatment : Nickel-chrome plating (silver) Color (silver)

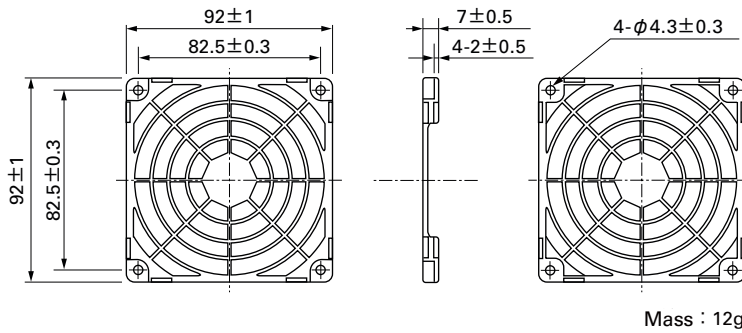


Model : 109-099E Surface treatment : Nickel-chrome plating (silver) Color (silver)
 : 109-099H Surface treatment : Cation electropainting (black) Color (black)



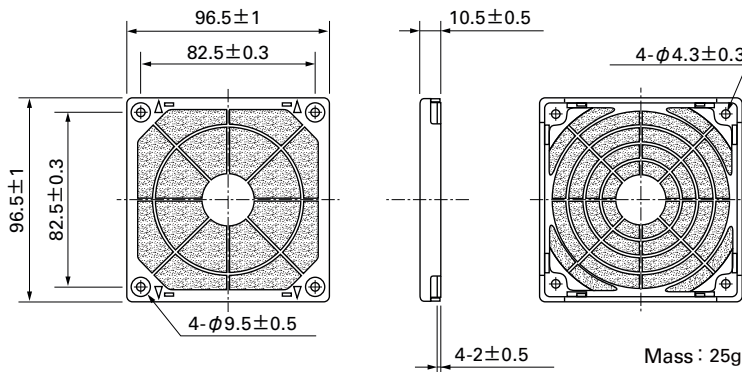
Resin Finger Guards

Model : 109-1001G



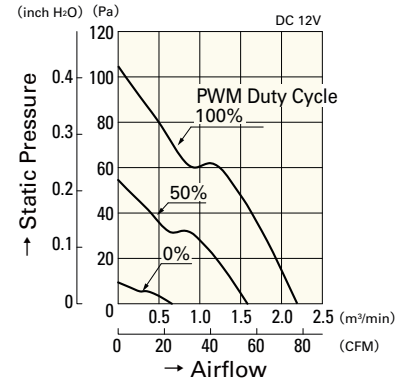
Resin Filter Kits

Model : 109-1001F13 (13PPI), 109-1001F20 (20PPI)
 : 109-1001F30 (30PPI), 109-1001F40 (40PPI)



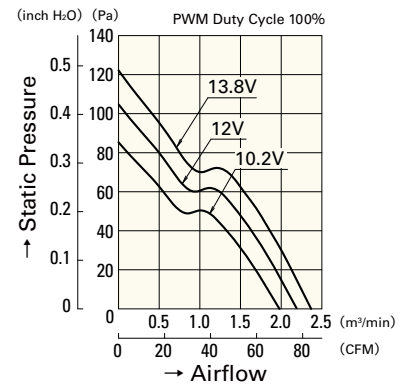
Airflow - Static Pressure Characteristics

PWM Duty Cycle



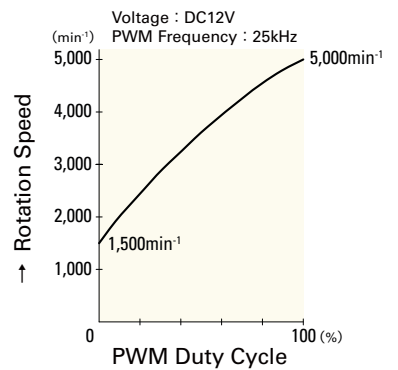
9GA0912P4J03

Operating Voltage Range



9GA0912P4J03

PWM Duty - Speed Characteristics Example



9GA0912P4J03

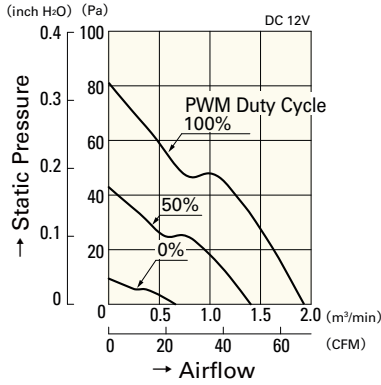
92mm sq.

San Ace 92

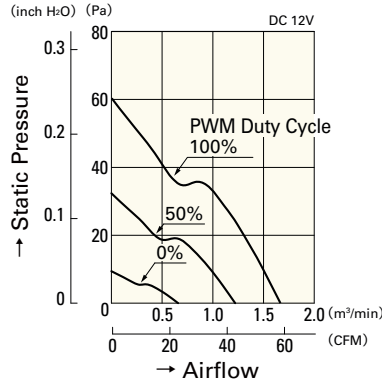
92×92×25mm [Mass : 125g]

Airflow - Static Pressure Characteristics

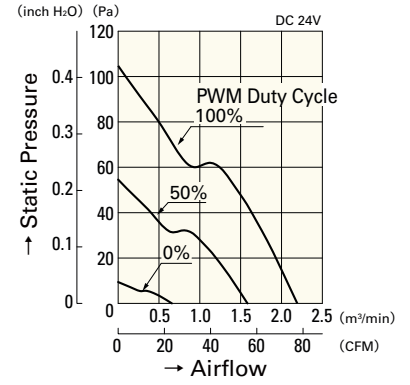
PWM Duty Cycle



9GA0912P4G03

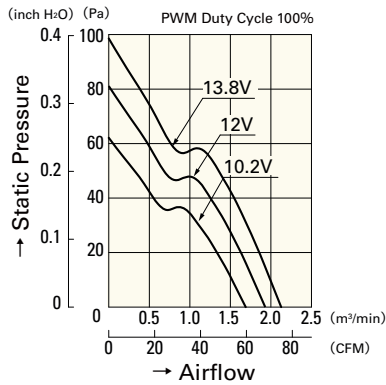


9GA0912P4S03

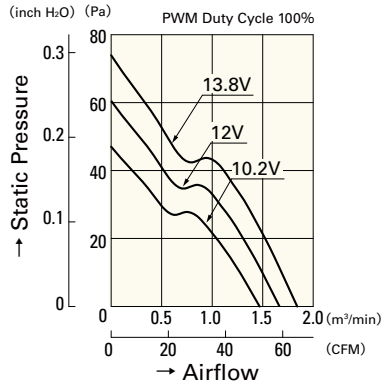


9GA0924P4J03

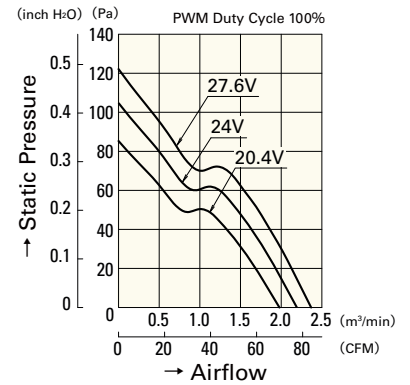
Operating Voltage Range



9GA0912P4G03

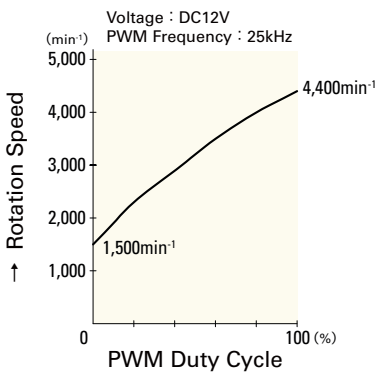


9GA0912P4S03

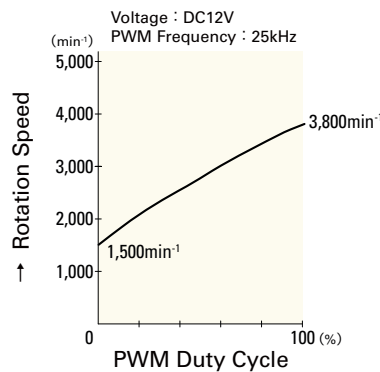


9GA0924P4J03

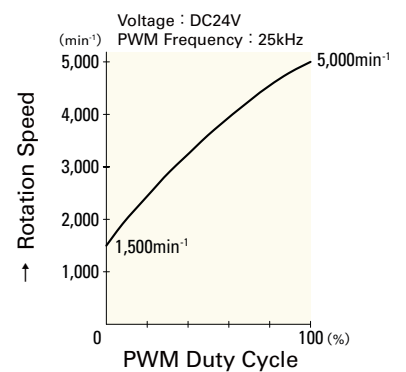
PWM Duty - Speed Characteristics Example



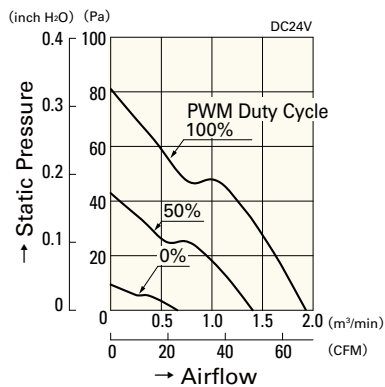
9GA0912P4G03



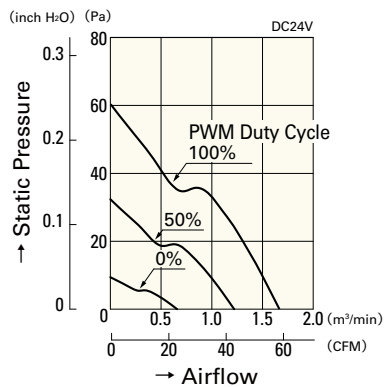
9GA0912P4S03



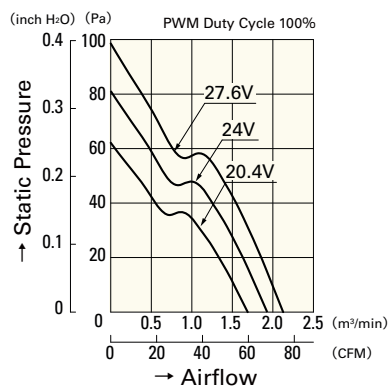
9GA0924P4J03



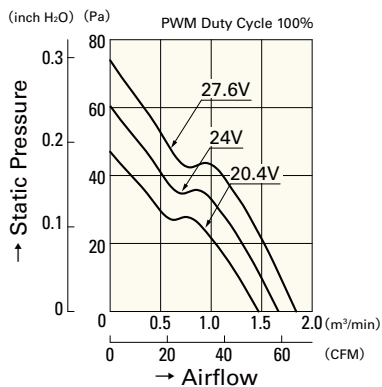
9GA0924P4G03



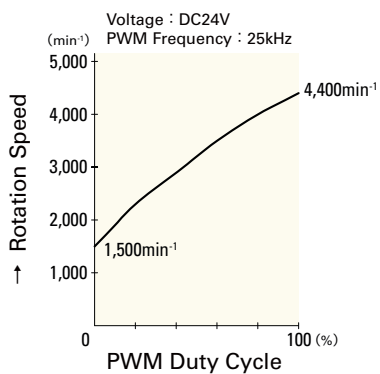
9GA0924P4S03



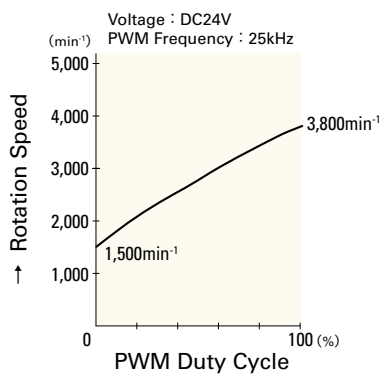
9GA0924P4G03



9GA0924P4S03



9GA0924P4G03



9GA0924P4S03

92mm sq.

San Ace 92



General Specifications

- Material Frame: Plastics (Flammability: UL94V-0),
Impeller: Plastics (Flammability: UL94V-1)
- Expected Life Refer to specifications (L10:Survival rate:90% at 60°C ,
rated voltage, and continuously run in a free air state)
- Lead Wire ⊕red ⊖black (Sensor) yellow
- Storage Temperature -30°C to +70°C (Non-condensing)

92×92×25mm (Mass : 100g) **9S type** **Silent Fan**

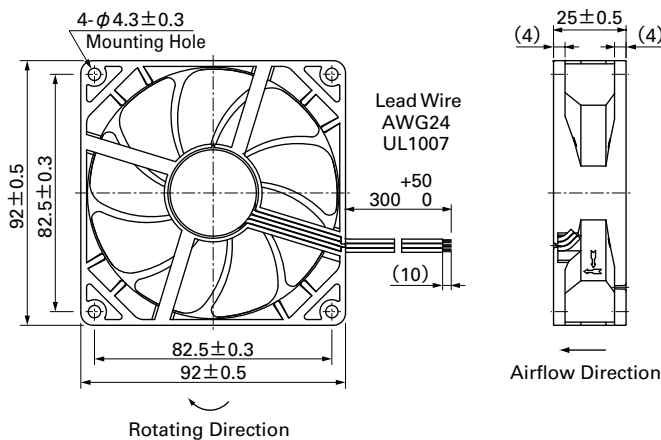
Specifications

The following nos. **have pulse sensors and ribs**. For ribless, append "1" to the model no.

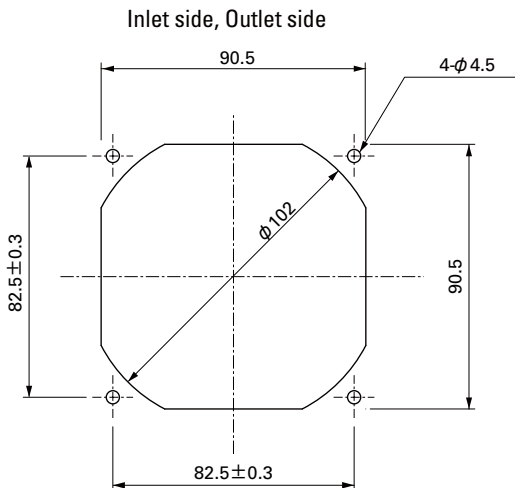
Model No.	Rated Voltage [V]	Operating Voltage Range [V]	Rated Current [A]	Rated Input [W]	Rated Speed [min ⁻¹]	Max. Airflow [m ³ /min] [CFM]	Max. Static Pressure [Pa] [inchH ₂ O]	SPL [dB(A)]	Operating Temperature [°C]	Expected Life [h]
9S0912F401	12	5.0 to 13.8	0.14	1.68	2,650	1.26	44.5	30.0	0.120	27
9S0912M401			0.11	1.32	2,250	1.07	37.8	21.6	0.087	22
9S0912L401		6.0 to 13.8	0.07	0.84	1,750	0.83	29.3	13.1	0.053	17
9S0924F401	24	14 to 26.4	0.09	2.16	2,650	1.26	44.5	30.0	0.120	27
9S0924M401			0.07	1.68	2,250	1.07	37.8	21.6	0.087	22
9S0924L401			0.04	0.96	1,750	0.83	29.3	13.1	0.053	17

Other sensor specifications are available as options. Please refer to the index (p. 510).

Dimensions (unit: mm) (With ribs)



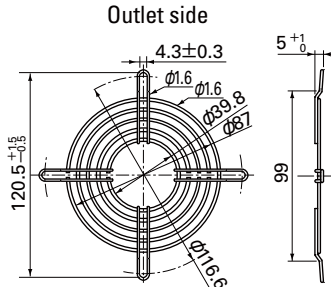
Reference Dimensions of Mounting Holes and Vent Opening (unit: mm)



Options (unit: mm)

Finger Guards

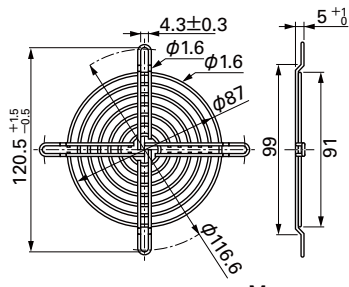
Model : 109-099C Surface treatment : Nickel-chrome plating (silver) Color



Mass 22g

Model : 109-099E Surface treatment : Nickel-chrome plating (silver) Color
: 109-099H : Cation electropainting (black)

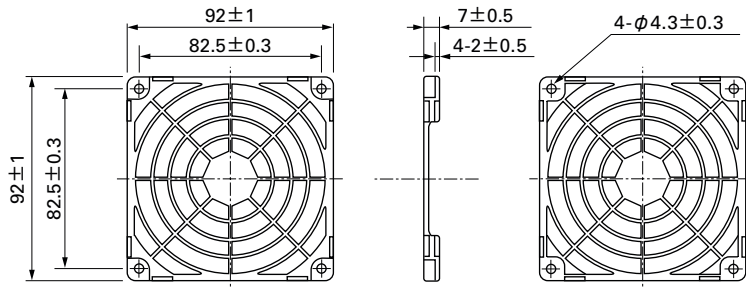
Inlet side, Outlet side



Mass : 29g

Resin Finger Guards

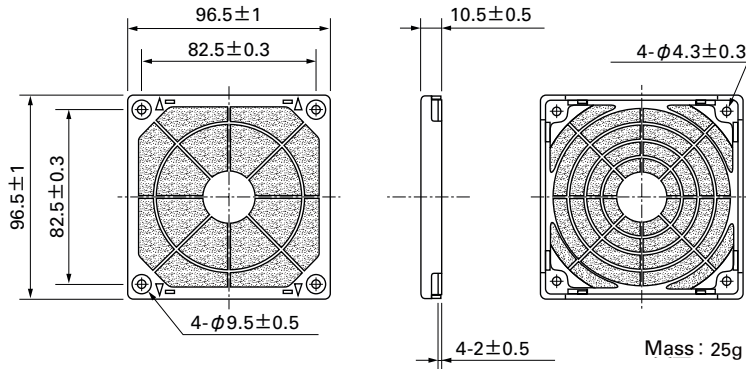
Model : 109-1001G



Mass : 12g

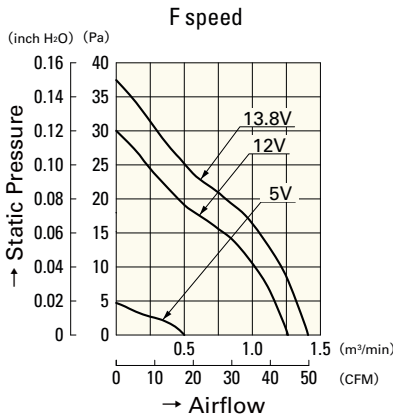
Resin Filter Kits

Model : 109-1001F13 (13PPI), 109-1001F20 (20PPI)
: 109-1001F30 (30PPI), 109-1001F40 (40PPI)

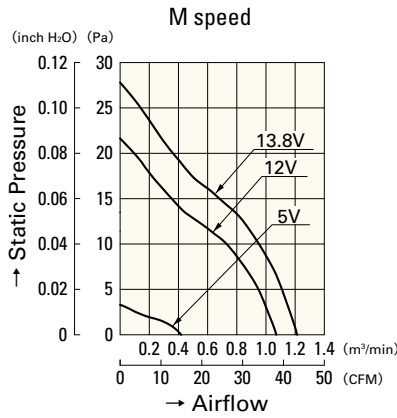


Mass : 25g

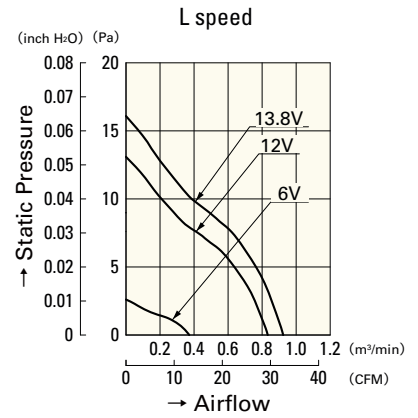
Airflow - Static Pressure Characteristics



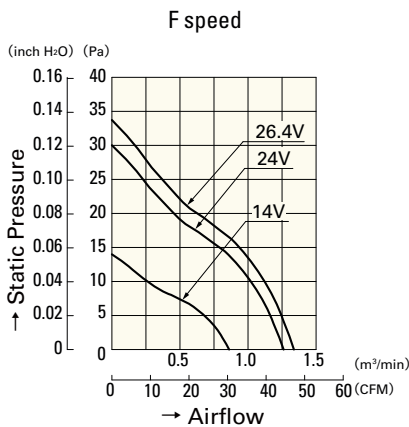
9S0912F401



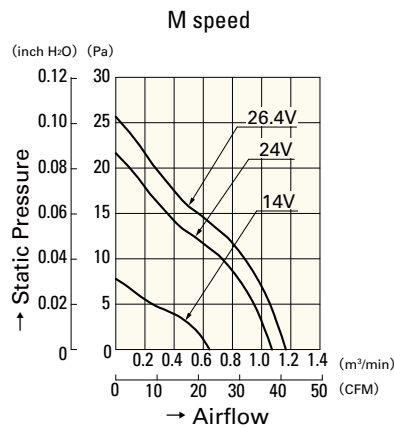
9S0912M401



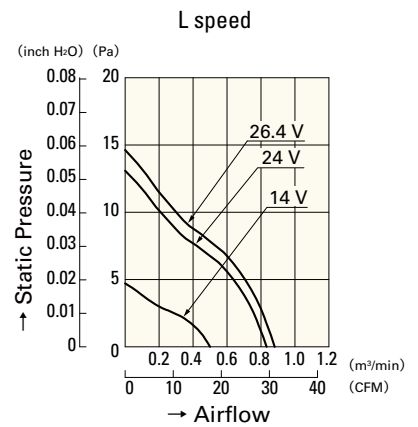
9S0912L401



9S0924F401



9S0924M401



9S0924L401

92mm sq.

San Ace 92



General Specifications

- Material Frame: Plastics (Flammability: UL94V-0),
Impeller: Plastics (Flammability: UL94V-0)
- Expected Life Refer to specifications (L10:Survival rate:90% at 60°C ,
rated voltage, and continuously run in a free air state)
- Lead Wire ⊕red ⊖black or blue (Sensor) yellow
- Storage Temperature -30°C to +70°C (Non-condensing)

92×92×25mm (Mass : 100g) **9A type** **San Cooler**

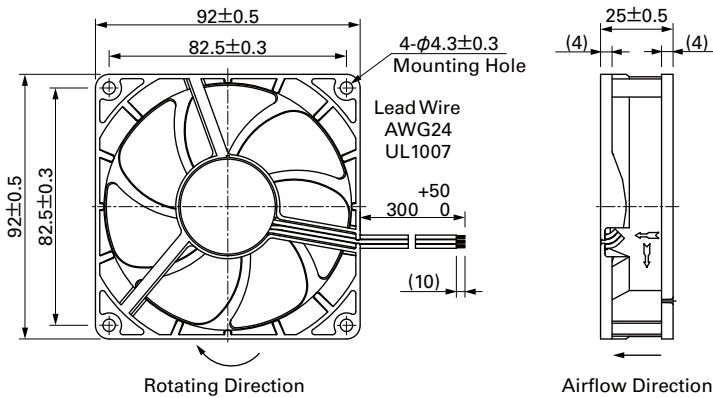
Specifications

The following nos. have pulse sensors and ribs. For ribless, append "1" to the model no.

Model No.	Rated Voltage [V]	Operating Voltage Range [V]	Rated Current [A]	Rated Input [W]	Rated Speed [min ⁻¹]	Max. Airflow [m ³ /min] [CFM]	Max. Static Pressure [Pa] [inchH ₂ O]	SPL [dB(A)]	Operating Temperature [°C]	Expected Life [h]
9A0912G401	12	6 to 13.8	0.39	4.68	3,900	1.76 62.1	66.5 0.267	43	-20 to +60	30,000/60°C
9A0912S401			0.27	3.24	3,550	1.66 58.6	56.1 0.225	39		
9A0912H401			0.21	2.52	3,150	1.45 51.2	44 0.177	33		
9A0912F401			0.14	1.68	2,650	1.24 43.8	32.2 0.129	30		
9A0912M401			0.12	1.44	2,250	1.04 36.7	22.6 0.091	27		
9A0912L401			0.07	0.84	1,750	0.8 28.2	13.4 0.054	23		
9A0924G401	24	12 to 27.6	0.19	4.56	3,900	1.76 62.1	66.5 0.267	43	-20 to +60	30,000/60°C
9A0924S401			0.15	3.6	3,550	1.66 58.6	56.1 0.225	39		
9A0924H401			0.1	2.4	3,150	1.45 51.2	44 0.177	33		
9A0924F401			0.08	1.92	2,650	1.24 43.8	32.2 0.129	30		
9A0924M401			0.05	1.2	2,250	1.04 36.7	22.6 0.091	27		
9A0924L401			0.04	0.96	1,750	0.8 28.2	13.4 0.054	23		
9A0948S401	48	40.5 to 53	0.08	3.84	3,550	1.66 58.6	56.1 0.225	39	-20 to +60	40,000/60°C

Other sensor specifications are available as options. Please refer to the index (p. 500).

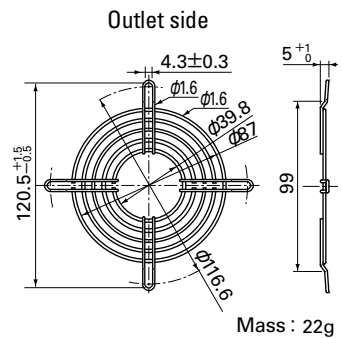
Dimensions (unit: mm) (With ribs)



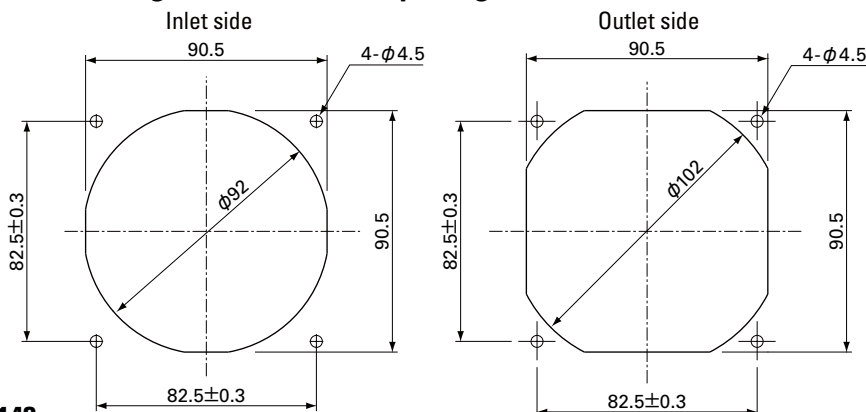
Options (unit: mm)

Finger Guards

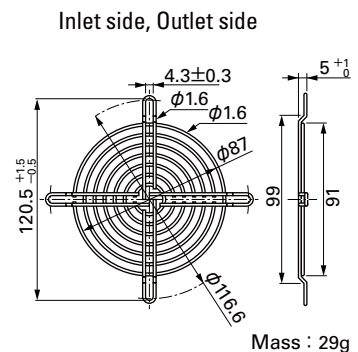
Model : 109-099C Surface treatment : Nickel-chrome plating (silver) Color



Reference Dimensions of Mounting Holes and Vent Opening (unit: mm)



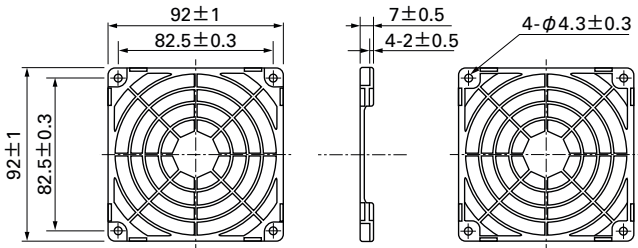
Model : 109-099E Surface treatment : Nickel-chrome plating (silver) Color
: 109-099H : Cation electropainting (black)



Options (unit: mm)

Resin Finger Guards

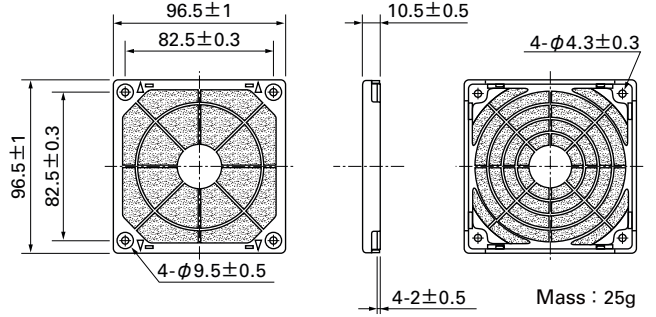
Model : 109-1001G



Mass : 12g

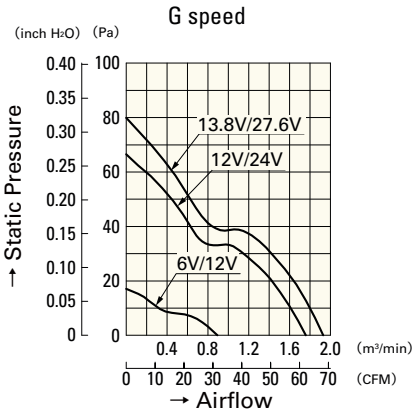
Resin Filter Kits

Model : 109-1001F13 (13PPI), 109-1001F20 (20PPI)
: 109-1001F30 (30PPI), 109-1001F40 (40PPI)

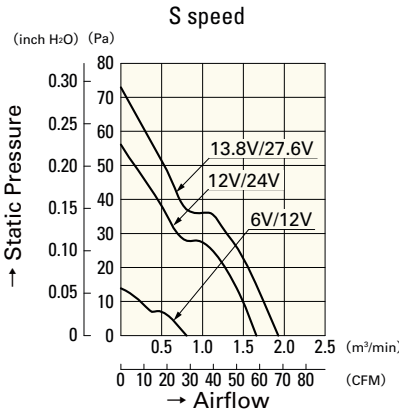


Mass : 25g

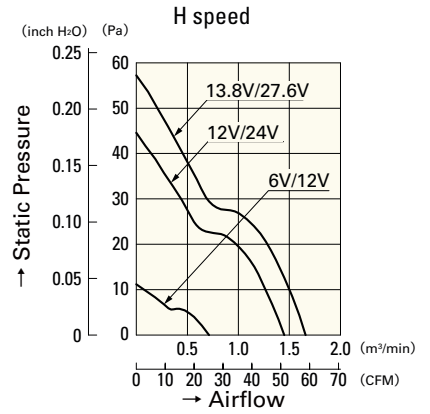
Airflow - Static Pressure Characteristics



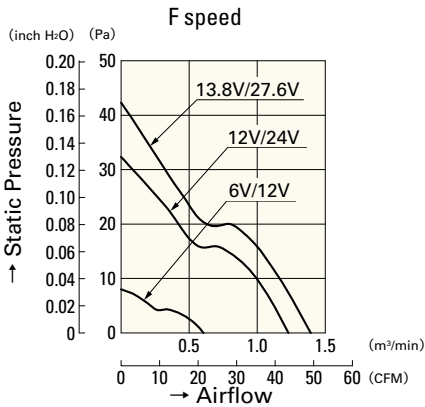
9A0912G401
9A0924G401



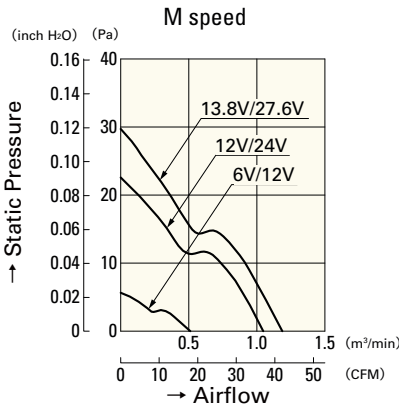
9A0912S401
9A0924S401



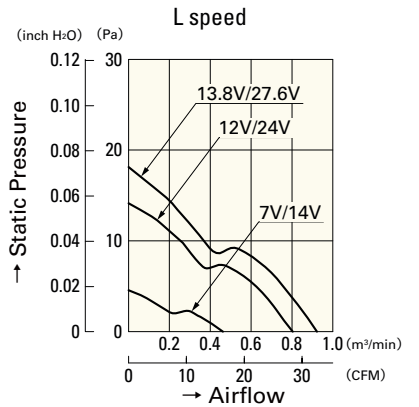
9A0912H401
9A0924H401



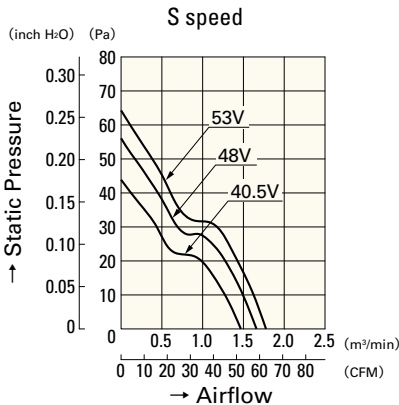
9A0912F401
9A0924F401



9A0912M401
9A0924M401



9A0912L401
9A0924L401



9A0948S401

92mm sq.

San Ace 92



General Specifications

- Material Frame: Plastics (Flammability: UL94V-0),
Impeller: Plastics (Flammability: UL94V-1)
- Expected Life Refer to specifications (L10:Survival rate:90% at 60°C ,
rated voltage, and continuously run in a free air state)
- Lead Wire ⊕red ⊖black or blue (Sensor) yellow
- Storage Temperature -30°C to +70°C (Non-condensing)

92×92×32mm (Mass : 170g) **9G type**

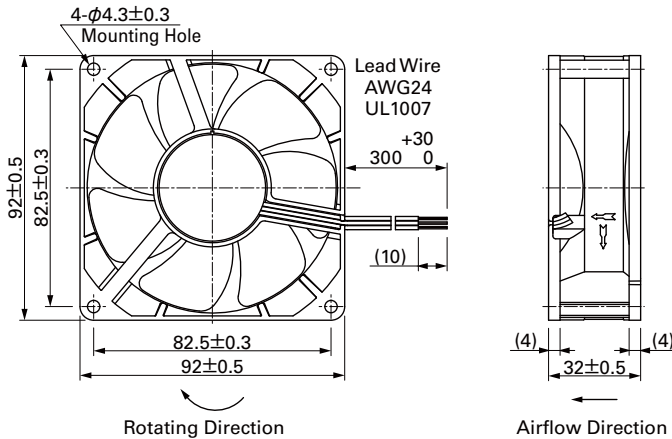
Specifications

The following nos. **have pulse sensors and ribs**. For ribless, append "1" to the model no.

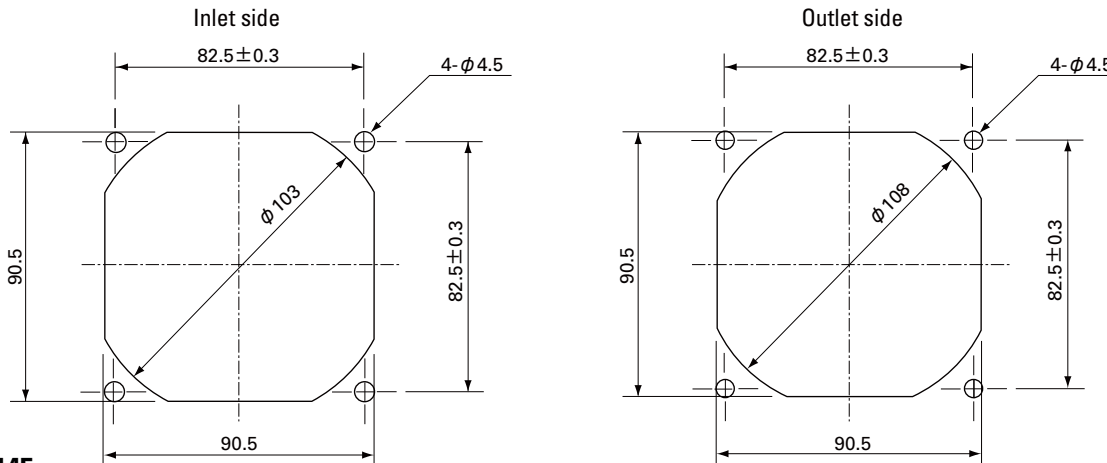
Model No.	Rated Voltage [V]	Operating Voltage Range [V]	Rated Current [A]	Rated Input [W]	Rated Speed [min ⁻¹]	Max. Airflow [m ³ /min] [CFM]	Max. Static Pressure [Pa] [inchH ₂ O]	SPL [dB(A)]	Operating Temperature [°C]	Expected Life [h]
9G0912A201	12	10.2 to 13.8	0.58	6.96	4,300	2.50 88.3	115 0.462	44	-20 to +70	40,000/60°C
9G0912S201			0.38	4.56	3,500	2.00 70.7	77 0.309	38		
9G0912H201			0.23	2.76	2,850	1.59 56.2	51 0.205	32		
9G0912M201			0.13	1.56	2,100	1.20 42.4	27 0.108	25		
9G0924A201	24	20.4 to 27.6	0.30	7.20	4,300	2.50 88.3	115 0.462	44	-20 to +60	
9G0924S201			0.19	4.56	3,500	2.00 70.7	77 0.309	38		
9G0924H201			0.12	2.88	2,850	1.59 56.2	51 0.205	32		
9G0924M201			0.08	1.92	2,100	1.20 42.4	27 0.108	25		
9G0948A201	48	40.8 to 55.2	0.16	7.68	4,300	2.50 88.3	115 0.462	44	-20 to +70	
9G0948S201			0.11	5.28	3,500	2.00 70.7	77 0.309	38		
9G0948H201			0.08	3.84	2,850	1.59 56.2	51 0.205	32		
9G0948M201			0.05	2.40	2,100	1.20 42.4	27 0.108	25		

Other sensor specifications are available as options. Please refer to the index (pp. 502 to 503).

Dimensions (unit: mm) (With ribs)



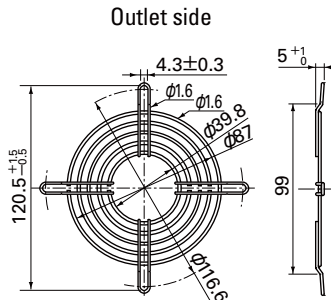
Reference Dimensions of Mounting Holes and Vent Opening (unit: mm)



Options (unit: mm)

Finger Guards

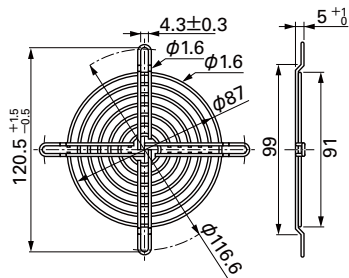
Model : 109-099C Color : Nickel-chrome plating (silver)



Mass : 22g

Model : 109-099E Surface treatment : Nickel-chrome plating (silver)
: 109-099H : Cation electropainting (black)

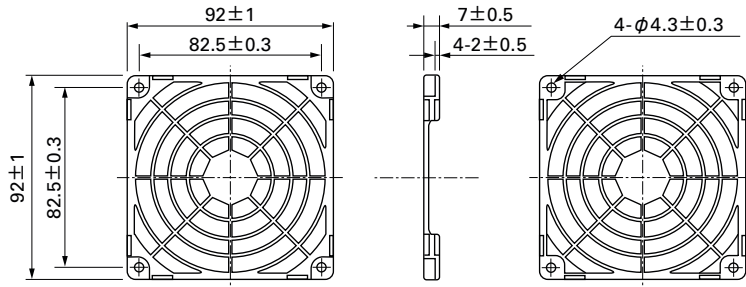
Inlet side, Outlet side



Mass : 29g

Resin Finger Guards

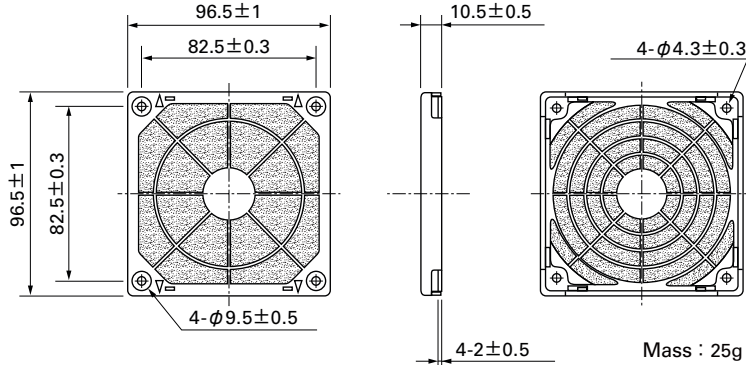
Model : 109-1001G



Mass : 12g

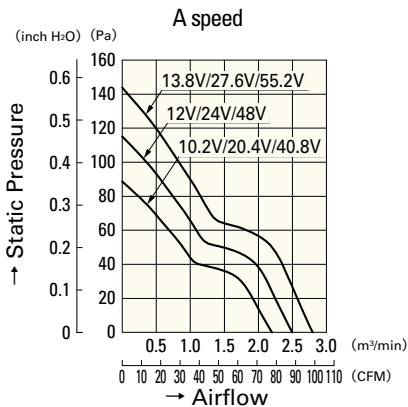
Resin Filter Kits

Model : 109-1001F13 (13PPI), 109-1001F20 (20PPI)
: 109-1001F30 (30PPI), 109-1001F40 (40PPI)



Mass : 25g

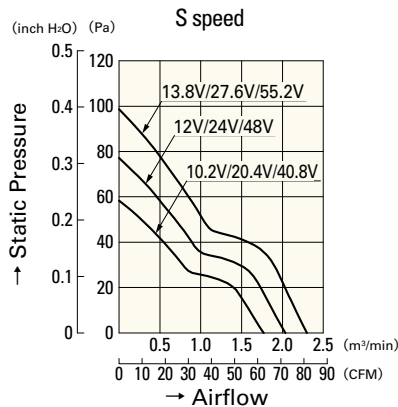
Airflow - Static Pressure Characteristics



9G0912A201

9G0924A201

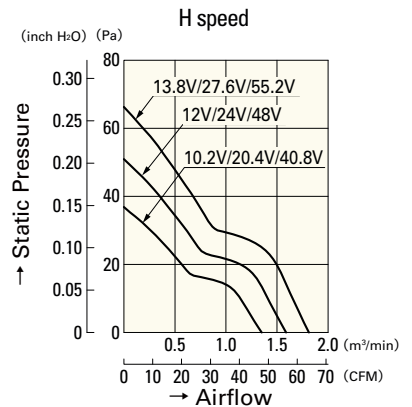
9G0948A201



9G0912S201

9G0924S201

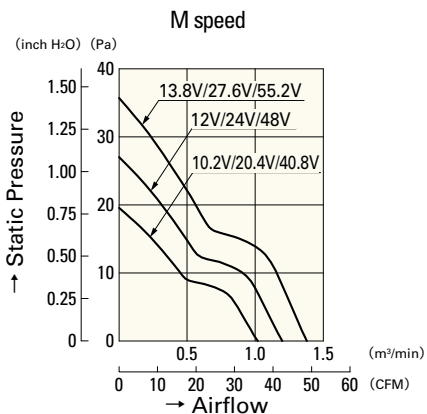
9G0948S201



9G0912H201

9G0924H201

9G0948H201



9G0912M201

9G0924M201

9G0948M201

92mm sq.

San Ace 92



General Specifications

- Material Frame: Plastics (Flammability: UL94V-0),
Impeller: Plastics (Flammability: UL94V-0)
- Expected Life Refer to specifications (L10: Survival rate: 90% at 60°C ,
rated voltage, and continuously run in a free air state)
- Lead Wire ⊕red ⊖black (Sensor) yellow (Control) brown
- Storage Temperature -30°C to +70°C (Non-condensing)

92×92×38mm (Mass : 240g) **9GA** type **Low Power Consumption Fan**



Specifications

The following nos. **have PWM controls, pulse sensors, and ribs.** For ribless, append "1" to the model no.

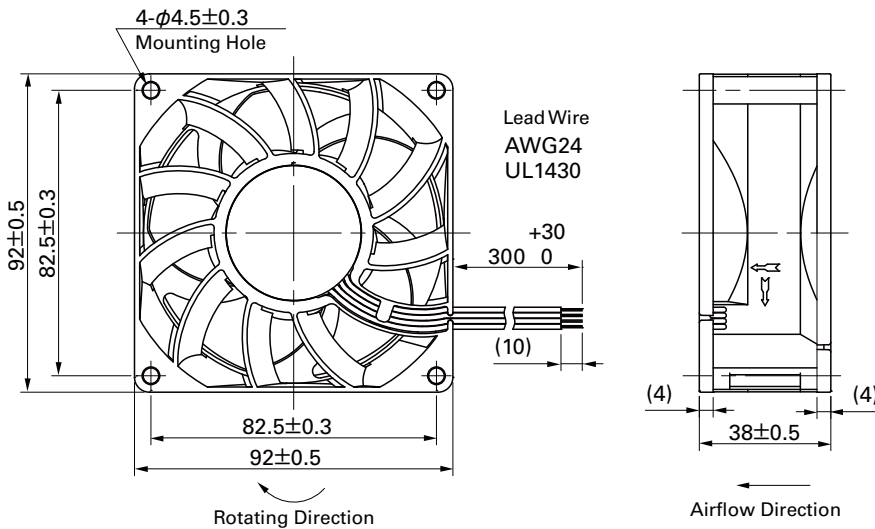
Model No.	Rated Voltage [V]	Operating Voltage Range [V]	PWM duty cycle* [%]	Rated Current [A]	Rated Input [W]	Rated Speed [min ⁻¹]	Max. Airflow [m ³ /min] [CFM]	Max. Static Pressure [Pa] [inchH ₂ O]	SPL [dB(A)]	Operating Temperature [°C]	Expected Life [h]
9GA0912P1H03	12	10.2 to 13.8	100	2.10	25.2	9,700	4.00 141	500 2.01	63	-20 to +70	40,000/60°C (70,000/40°C)
			0	0.16	1.92	2,500	0.97 34.3	33 0.13	29		
9GA0924P1H01	24	20.4 to 27.6	100	1.1	26.4	9,700	4.00 141	500 2.01	63	-10 to +70	
9GA0948P1H03 (Note)	48	40.8 to 55.2	100	0.55	26.4	9,700	4.00 141	500 2.01	63	-20 to +70	

Note: Rated voltage 48V fans do not rotate when PWM duty cycle is 0%.

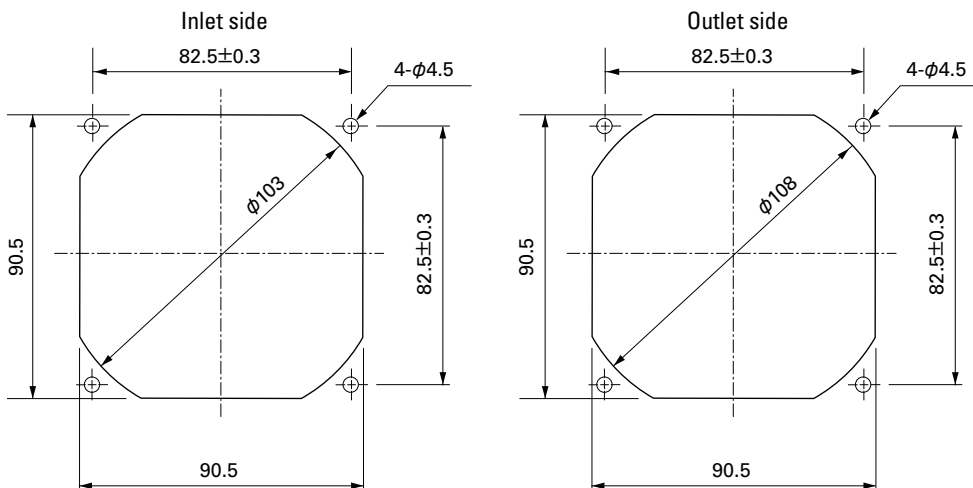
※PWM Frequency : 25kHz

Other sensor specifications are available as options. Please refer to the index (p. 506).

Dimensions (unit: mm) (With ribs)



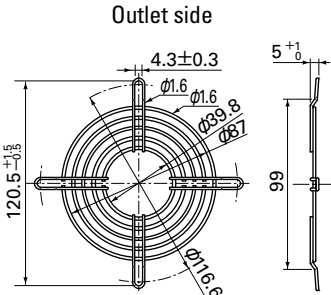
Reference Dimensions of Mounting Holes and Vent Opening (unit: mm)



Options (unit: mm)

Finger Guards

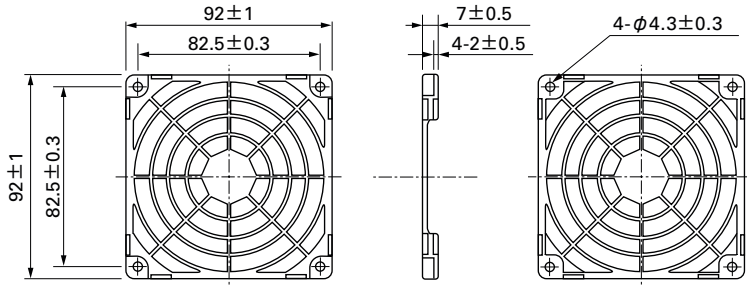
Model : 109-099C Color : Nickel-chrome plating (silver)



Mass : 22g

Resin Finger Guards

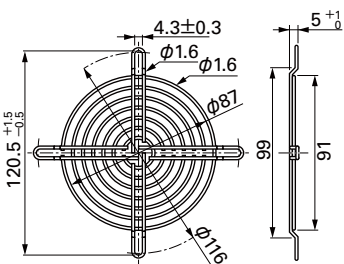
Model : 109-1001G



Mass : 12g

Model : 109-099E Color : Nickel-chrome plating (silver)
Model : 109-099H Color : Cation electropainting (black)

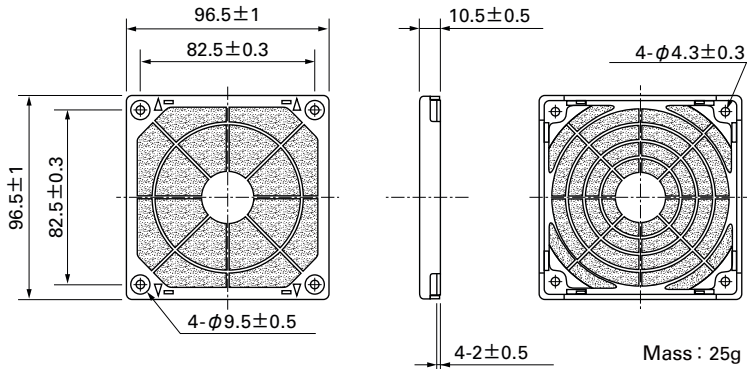
Inlet side, Outlet side



Mass : 29g

Resin Filter Kits

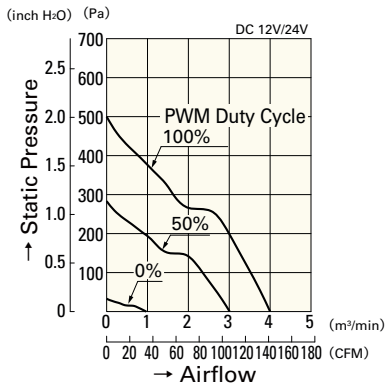
Model : 109-1001F13 (13PPI), 109-1001F20 (20PPI)
Model : 109-1001F30 (30PPI), 109-1001F40 (40PPI)



Mass : 25g

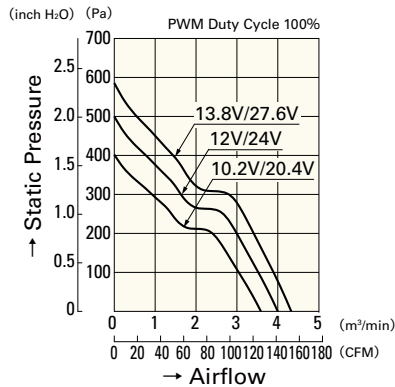
Airflow - Static Pressure Characteristics

PWM Duty Cycle



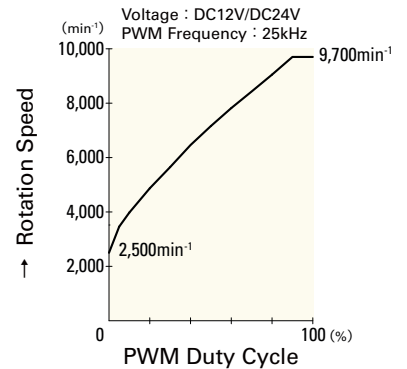
9GA0912P1H03
9GA0924P1H01

Operating Voltage Range

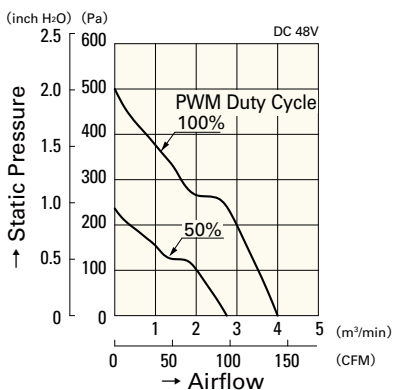


9GA0912P1H03
9GA0924P1H01

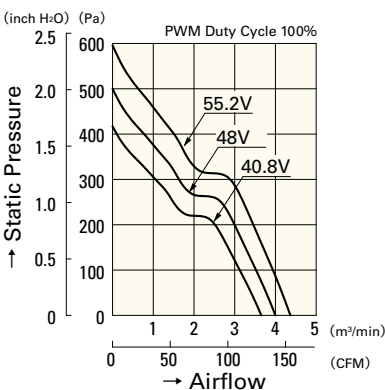
PWM Duty - Speed Characteristics Example



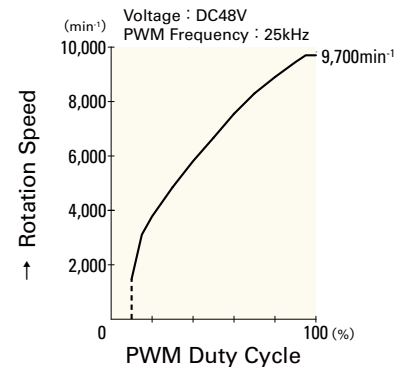
9GA0912P1H03
9GA0924P1H01



9GA0948P1H03



9GA0948P1H03



9GA0948P1H03

92mm sq.

San Ace 92



General Specifications

- Material Frame: Plastics (Flammability: UL94V-0),
Impeller: Plastics (Flammability: UL94V-1)
- Expected Life Refer to specifications (L10:Survival rate:90% at 60°C ,
rated voltage, and continuously run in a free air state)
- Lead Wire ⊕red ⊖black (Sensor) yellow (Control) brown
- Storage Temperature -30°C to +70°C (Non-condensing)

92×92×38mm (Mass : 250g)

9HV type



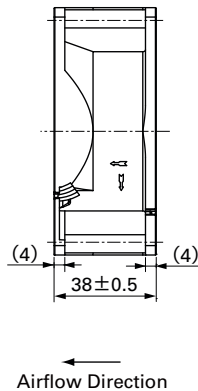
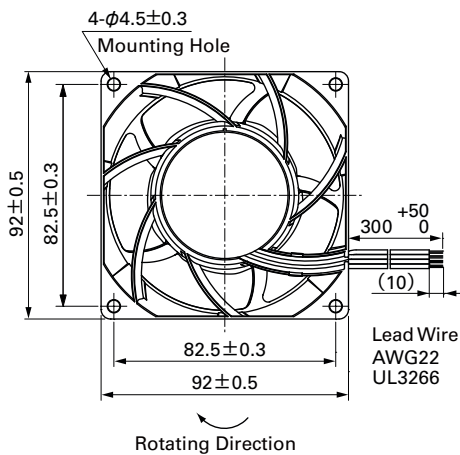
Specifications

The following nos. **have PWM controls, pulse sensors, and ribs.** For ribless, append "1" to the model no.

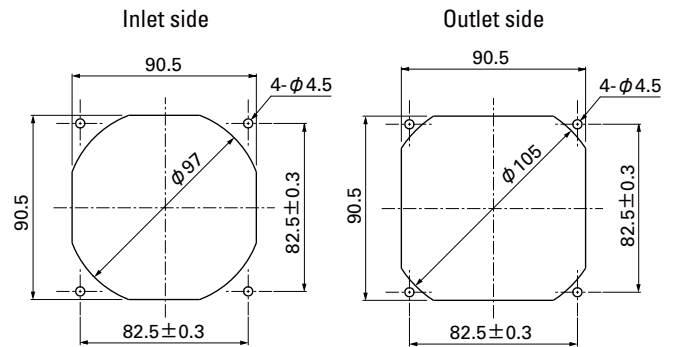
Model No.	Rated Voltage [V]	Operating Voltage Range [V]	PWM duty cycle* [%]	Rated Current [A]	Rated Input [W]	Rated Speed [min ⁻¹]	Max. Airflow [m ³ /min] [CFM]	Max. Static Pressure [Pa] [inchH ₂ O]	SPL [dB(A)]	Operating Temperature [°C]	Expected Life [h]
9HV0912P1G001	12	8 to 12.6	100	5.2	62.4	14,900	5.1 180	1,100 4.42	72	-20 to +70	40,000/60°C (70,000/40°C)
			0	0.8	9.6	4,500	1.54 54.4	160 0.64	44		
9HV0948P1G001	48	36 to 60	100	1.2	57.6	14,900	5.1 180	1,100 4.42	72		
			0	0.15	7.2	4,500	1.54 54.4	160 0.64	44		

*PWM Frequency : 25kHz

Dimensions (unit: mm) (With ribs)



Reference Dimensions of Mounting Holes and Vent Opening (unit: mm)

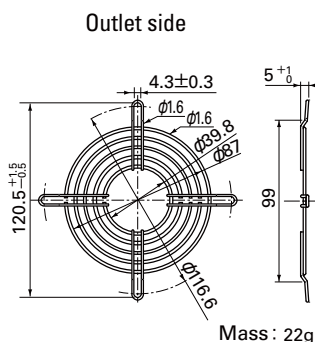


Options (unit: mm)

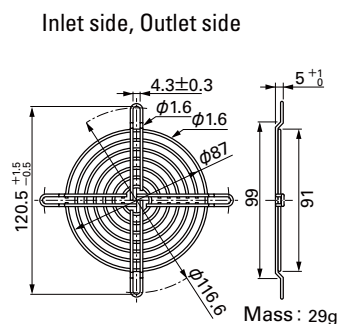
Finger Guards

Model : 109-099C Surface treatment : Nickel-chrome plating (silver) Color

Model : 109-099E Surface treatment : Nickel-chrome plating (silver) Color
: 109-099H : Cation electropainting (black)



Mass : 22g

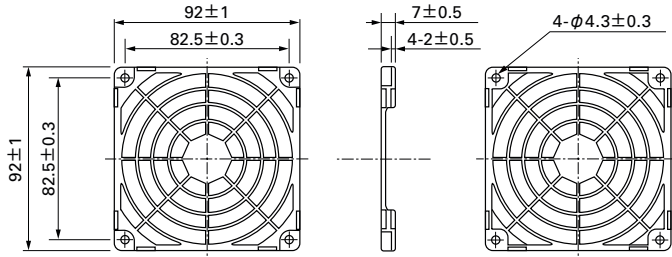


Mass : 29g

Options (unit: mm)

Resin Finger Guards

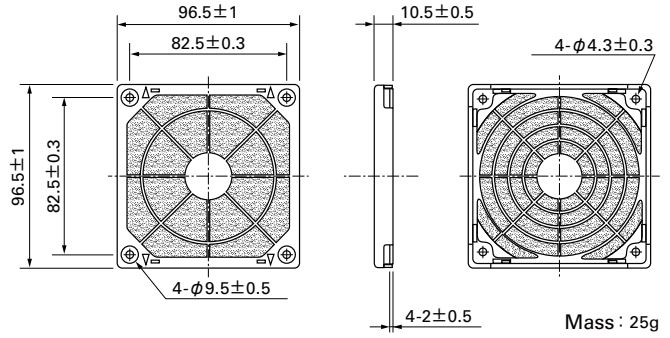
Model : 109-1001G



Mass : 12g

Resin Filter Kits

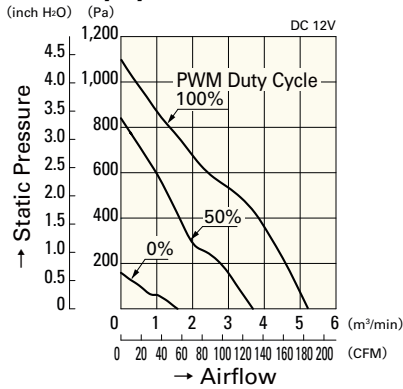
Model : 109-1001F13 (13PPI), 109-1001F20 (20PPI)
: 109-1001F30 (30PPI), 109-1001F40 (40PPI)



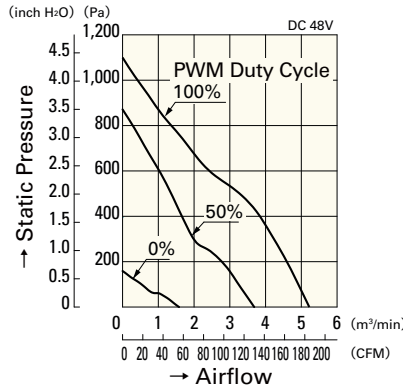
Mass : 25g

Airflow - Static Pressure Characteristics

PWM Duty Cycle

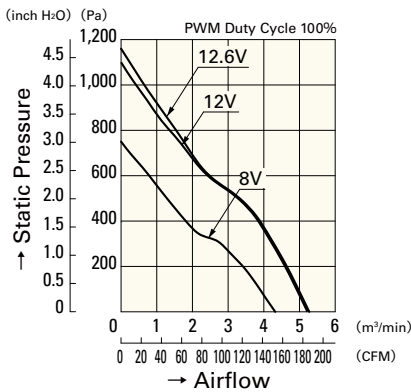


9HV0912P1G001

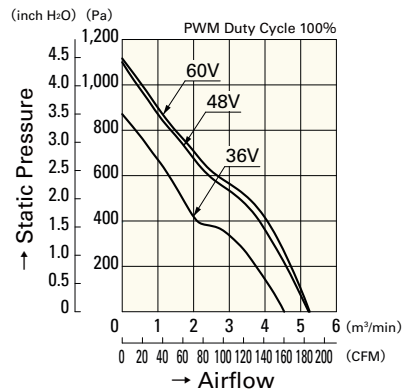


9HV0948P1G001

Operating Voltage Range

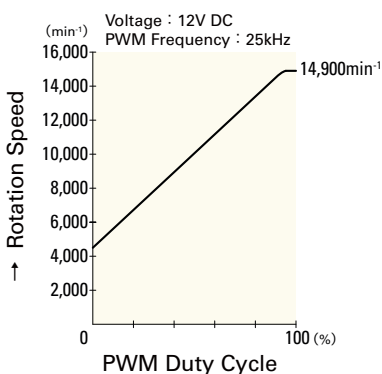


9HV0912P1G001

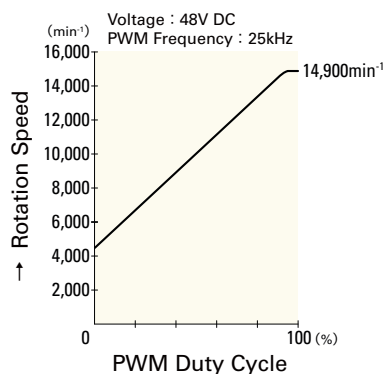


9HV0948P1G001

PWM Duty - Speed Characteristics Example



9HV0912P1G001



9HV0948P1G001

92mm sq.

San Ace 92



General Specifications

- Material Frame: Plastics (Flammability: UL94V-0),
Impeller: Plastics (Flammability: UL94V-1)
- Expected Life Refer to specifications (L10:Survival rate:90% at 60°C ,
rated voltage, and continuously run in a free air state)
- Lead Wire ⊕red ⊖black (Sensor) yellow (Control) brown
- Storage Temperature -30°C to +70°C (Non-condensing)

92×92×38mm (Mass : 250g) **9GV type**

Specifications

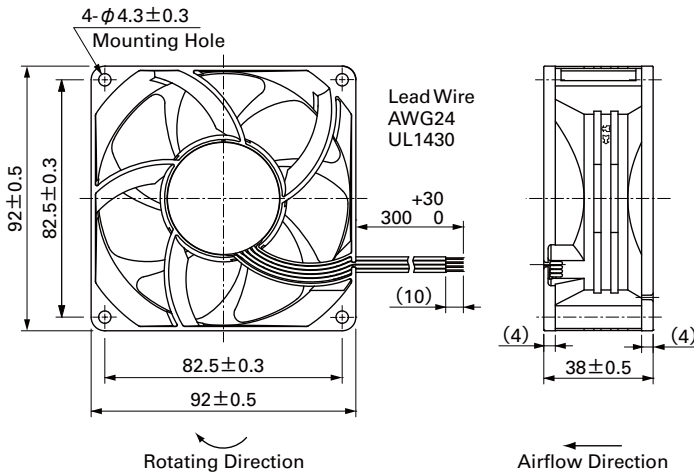
The following nos. **have PWM controls, pulse sensors, and ribs.** For ribless, append "1" to the model no.

Model No.	Rated Voltage [V]	Operating Voltage Range [V]	PWM duty cycle* [%]	Rated Current [A]	Rated Input [W]	Rated Speed [min ⁻¹]	Max. Airflow [m ³ /min] [CFM]	Max. Static Pressure [Pa] [inchH ₂ O]	SPL [dB(A)]	Operating Temperature [°C]	Expected Life [h]
9GV0912P1G03	12	10.8 to 13.2	100	4.10	49.2	9,000	5.35 189.0	430.0 1.73	68	-20 to +70	40,000/60°C
			0	0.33	4.0	2,900	1.72 60.8	44.6 0.18	37		
10.2 to 13.8		100	3.50	42.0	8,500	5.05 178.0	385.0 1.55	64	-10 to +70		
		0	0.29	3.5	2,700	1.60 56.5	38.8 0.16	34			
		100	1.9	22.8	7,000	4.15 146.6	261 1.05	59			
		0	0.16	1.92	2,200	1.3 45.9	25.7 0.1	31			
9GV0948P1H03	48	40.8 to 55.2	100	0.82	39.4	8,500	5.05 178.0	385.0 1.55	64	-20 to +70	
0			0.14	6.7	4,000	2.37 83.7	85.2 0.34	45			
9GV0948P1F03	48		40.8 to 55.2	100	0.48	23.04	7,000	4.15 146.6	261 1.05	59	-10 to +70
				0	0.12	5.76	3,500	2.07 73.1	65.2 0.26	42	

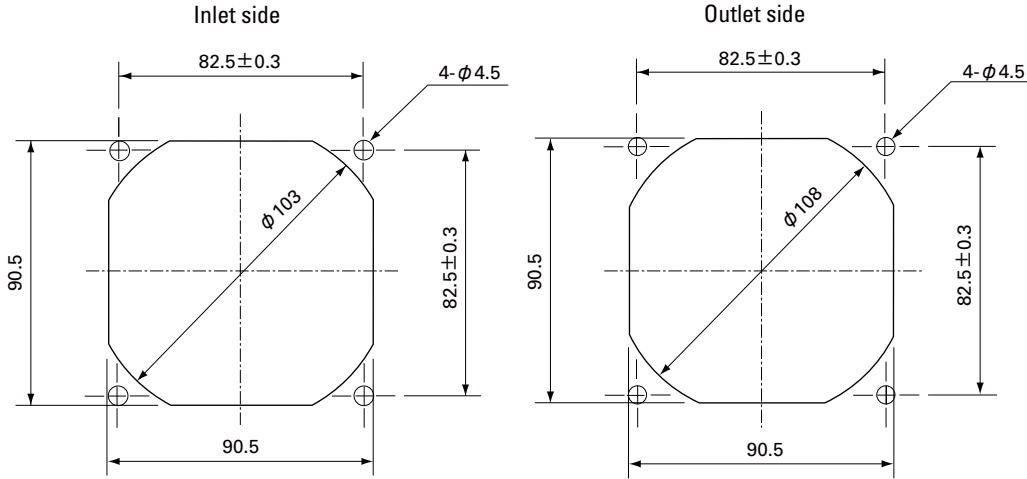
*PWM Frequency : 25kHz

Other sensor specifications are available as options. Please refer to the index (pp. 507 to 508).

Dimensions (unit: mm) (With ribs)



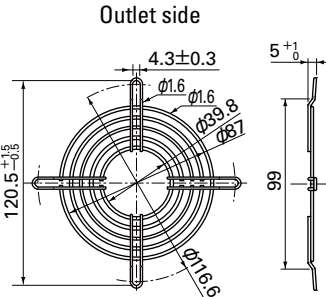
Reference Dimensions of Mounting Holes and Vent Opening (unit: mm)



Options (unit: mm)

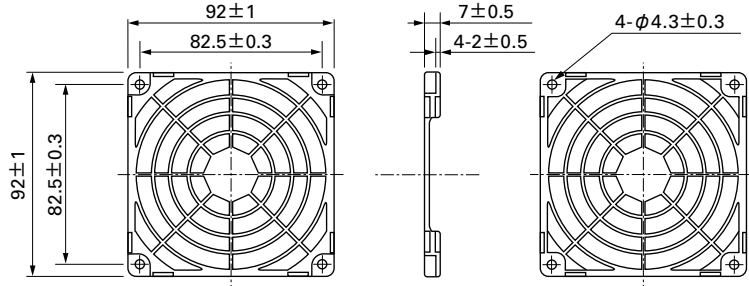
Finger Guards

Model : 109-099C Surface treatment : Nickel-chrome plating (silver) Color

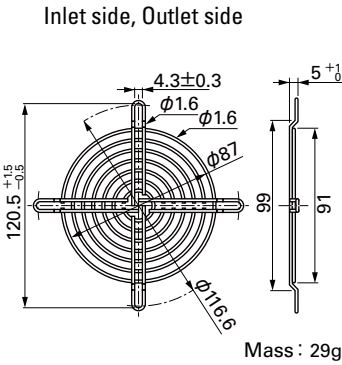


Resin Finger Guards

Model : 109-1001G

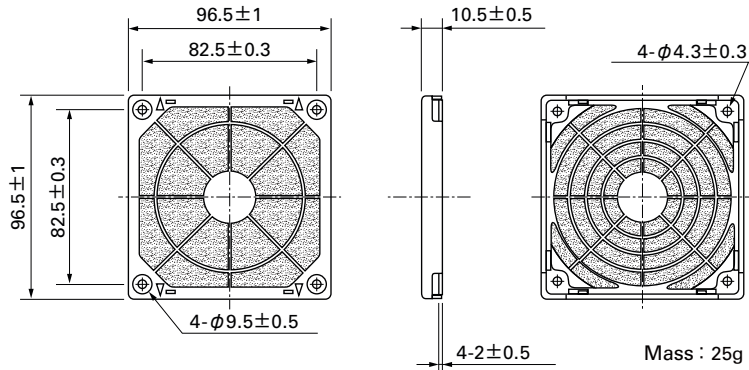


Model : 109-099E Surface treatment : Nickel-chrome plating (silver) Color
: 109-099H : Cation electropainting (black)



Resin Filter Kits

Model : 109-1001F13 (13PPI), 109-1001F20 (20PPI)
: 109-1001F30 (30PPI), 109-1001F40 (40PPI)



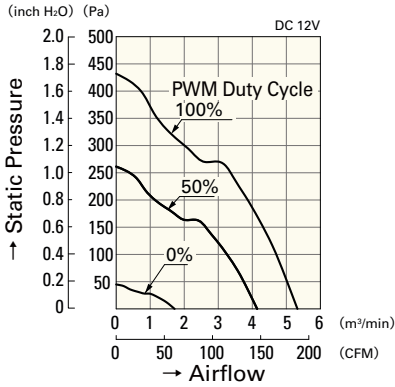
92mm sq.

San Ace 92

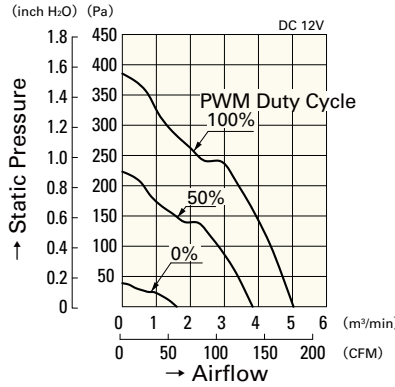
92×92×38mm [Mass : 250g]

Airflow - Static Pressure Characteristics

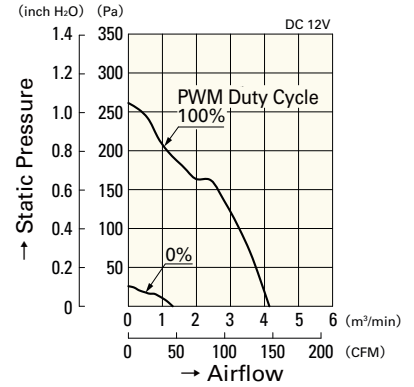
PWM Duty Cycle



9GV0912P1G03

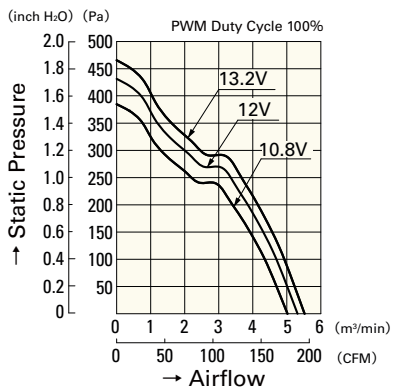


9GV0912P1H03

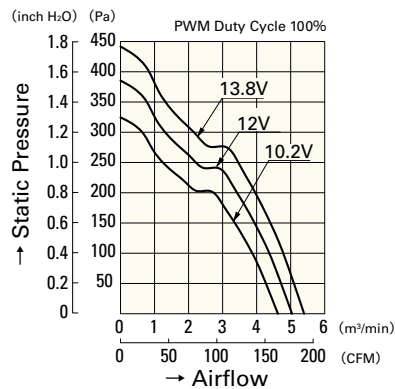


9GV0912P1F03

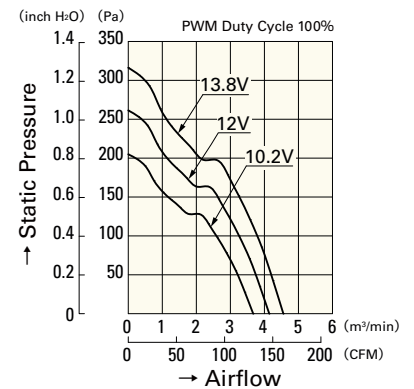
Operating Voltage Range



9GV0912P1G03

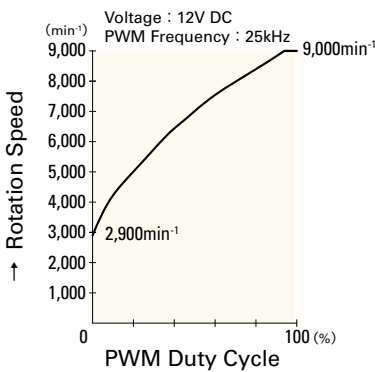


9GV0912P1H03

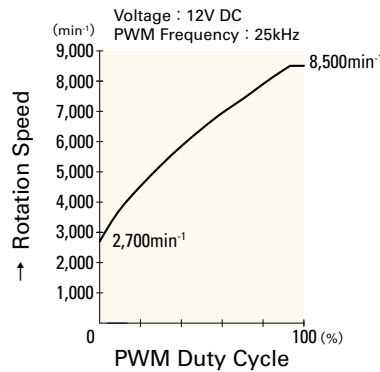


9GV0912P1F03

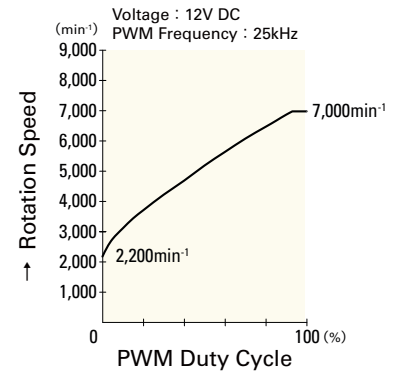
PWM Duty - Speed Characteristics Example



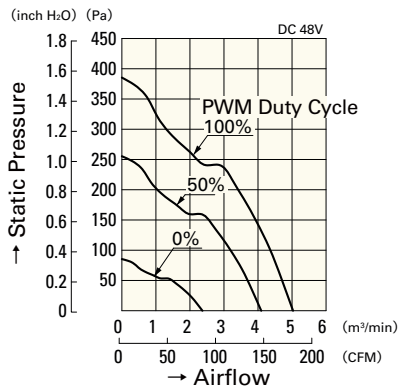
9GV0912P1G03



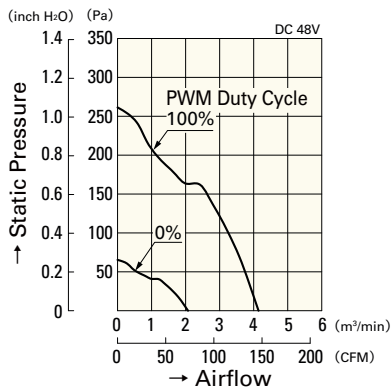
9GV0912P1H03



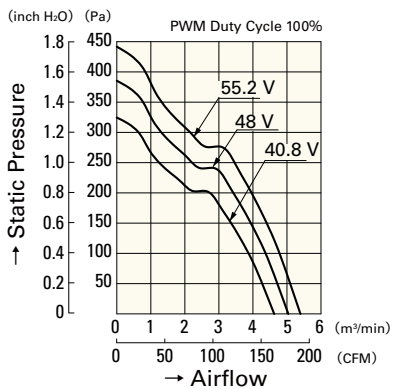
9GV0912P1F03



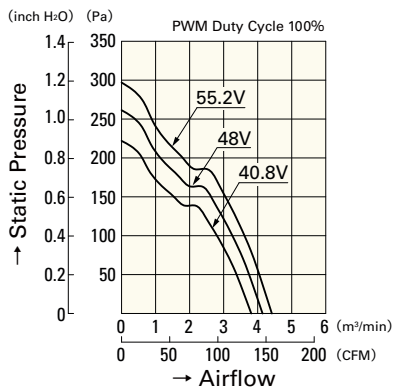
9GV0948P1H03



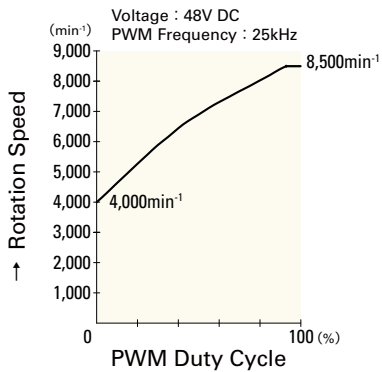
9GV0948P1F03



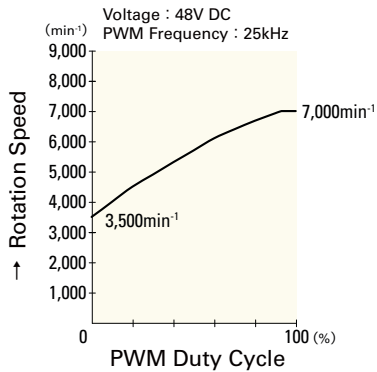
9GV0948P1H03



9GV0948P1F03



9GV0948P1H03



9GV0948P1F03

92mm sq.

San Ace 92



General Specifications

- Material Frame: Plastics (Flammability: UL94V-0),
Impeller: Plastics (Flammability: UL94V-0)
- Expected Life Refer to specifications (L10:Survival rate:90% at 60°C ,
rated voltage, and continuously run in a free air state)
- Lead Wire ⊕red ⊖black (Sensor) yellow
- Storage Temperature -30°C to +70°C (Non-condensing)

92×92×38mm (Mass : 180g) **9G type**

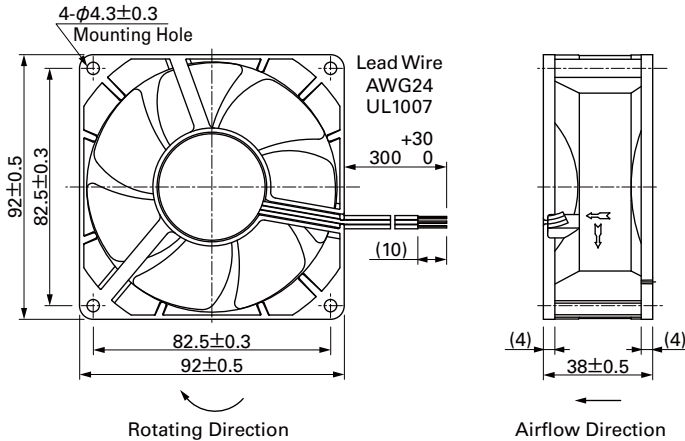
Specifications

The following nos. **have pulse sensors and ribs**. For ribless, append "1" to the model no.

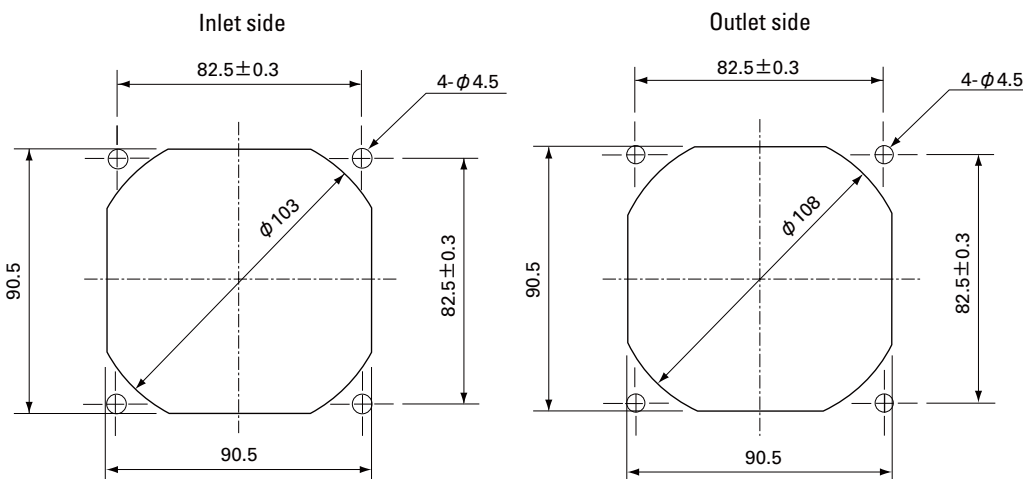
Model No.	Rated Voltage [V]	Operating Voltage Range [V]	Rated Current [A]	Rated Input [W]	Rated Speed [min ⁻¹]	Max. Airflow [m ³ /min] [CFM]	Max. Static Pressure [Pa] [inchH ₂ O]	SPL [dB(A)]	Operating Temperature [°C]	Expected Life [h]
9G0912G101	12	7.0 to 13.8	1.1	13.2	5,000	3.10 110	150 0.602	50	-20 to +60	40,000/60°C
9G0912H101			0.58	6.96	4,000	2.54 90	100 0.402	43		
9G0924G101	24	20.4 to 27.6	0.55	13.2	5,000	3.10 110	150 0.602	50		
9G0924H101			0.3	7.2	4,000	2.54 90	100 0.402	43		
9G0948J101	48	40.8 to 55.2	0.32	15.36	5,500	3.41 120.49	178 0.715	55	-20 to +70	
9G0948G101			0.27	12.96	5,000	3.10 110	150 0.602	50	-20 to +60	
9G0948H101			0.16	7.68	4,000	2.54 90	100 0.402	43		

Other sensor specifications are available as options. Please refer to the index (pp. 502 to 503).

Dimensions (unit: mm) (With ribs)



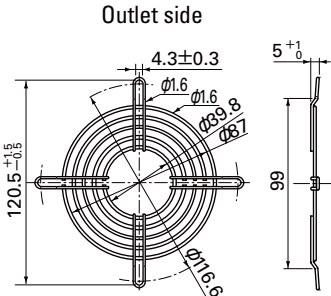
Reference Dimensions of Mounting Holes and Vent Opening (unit: mm)



Options (unit: mm)

Finger Guards

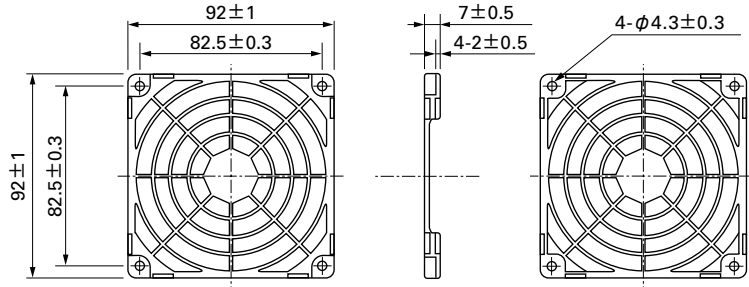
Model : 109-099C Surface treatment : Nickel-chrome plating (silver) Color : Nickel-chrome plating (silver)



Mass : 22g

Resin Finger Guards

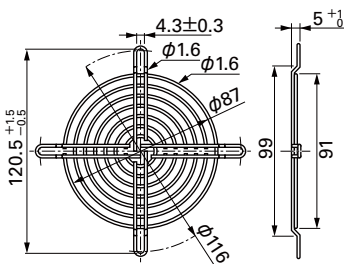
Model : 109-1001G



Mass : 12g

Model : 109-099E Surface treatment : Nickel-chrome plating (silver) Color : Nickel-chrome plating (silver)
: 109-099H : Cation electropainting (black)

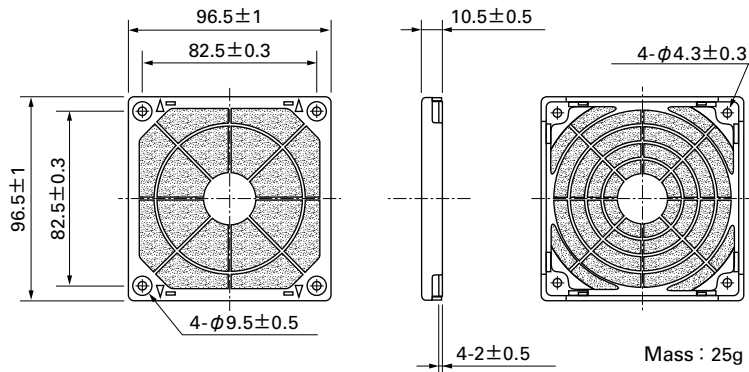
Inlet side, Outlet side



Mass : 29g

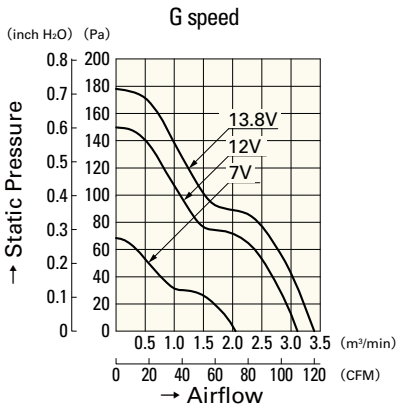
Resin Filter Kits

Model : 109-1001F13 (13PPI), 109-1001F20 (20PPI)
: 109-1001F30 (30PPI), 109-1001F40 (40PPI)

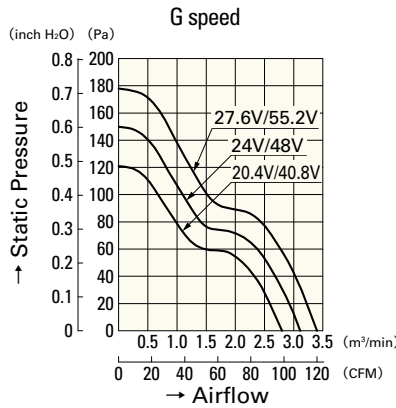


Mass : 25g

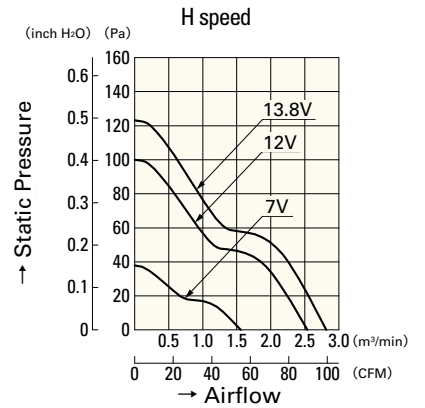
Airflow - Static Pressure Characteristics



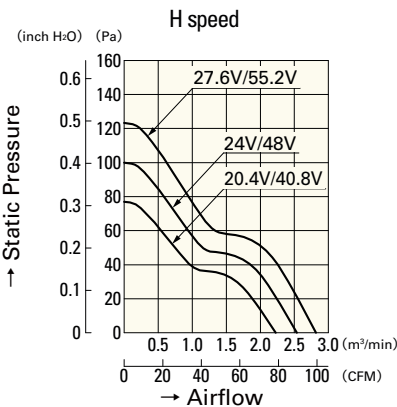
9G0912G101



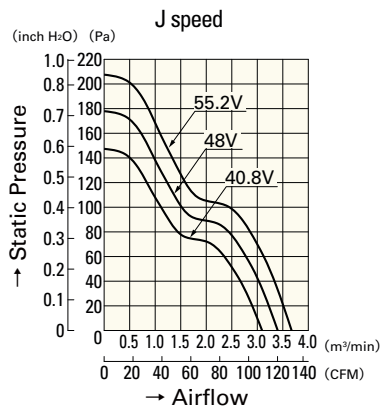
9G0924G101
9G0948G101



9G0912H101



9G0924H101
9G0948H101



9G0948J101

120mm sq.

San Ace 120



General Specifications

- Material Frame: Plastics (Flammability: UL94V-0),
Impeller: Plastics (Flammability: UL94V-1)
- Expected Life Refer to specifications (L10:Survival rate:90% at 60°C ,
rated voltage, and continuously run in a free air state)
- Lead Wire ⊕red ⊖black (Sensor) yellow
- Storage Temperature -30°C to +70°C (Non-condensing)

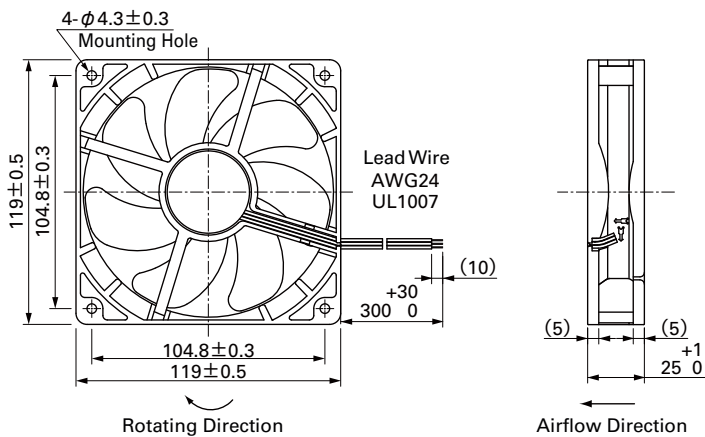
120×120×25mm (Mass : 140g) **9S type** **Silent Fan**

Specifications The following nos. **have pulse sensors and ribs.** For ribless, append "1" to the model no.

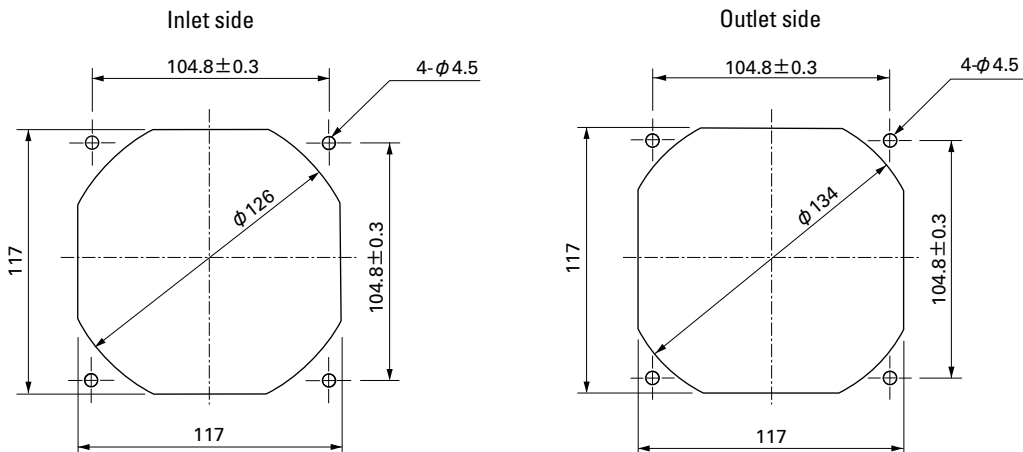
Model No.	Rated Voltage [V]	Operating Voltage Range [V]	Rated Current [A]	Rated Input [W]	Rated Speed [min ⁻¹]	Max. Airflow [m ³ /min] [CFM]	Max. Static Pressure [Pa] [inchH ₂ O]	SPL [dB(A)]	Operating Temperature [°C]	Expected Life [h]
9S1212H401	12	5.0 to 13.2	0.39	4.68	2,700	2.45 86.5	45.2 0.18	36	-10 to +60	40,000/60°C
9S1212F401		5.0 to 13.8	0.19	2.28	2,200	2.00 70.6	30.0 0.12	30		
9S1212M401		6.0 to 13.8	0.13	1.56	1,850	1.66 58.6	22.7 0.09	24		
9S1212L401		7.0 to 13.8	0.08	0.96	1,500	1.36 48.1	14.9 0.06	17		
9S1224M401	24	14 to 26.4	0.06	1.44	1,850	1.66 58.6	22.7 0.090	24		

Other sensor specifications are available as options. Please refer to the index (p. 510).

Dimensions (unit: mm) (With ribs)



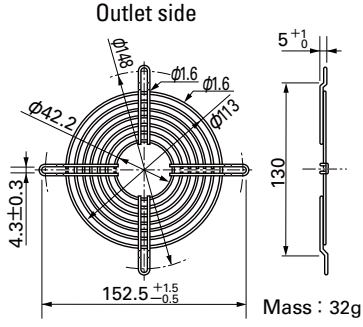
Reference Dimensions of Mounting Holes and Vent Opening (unit: mm)



Options (unit: mm)

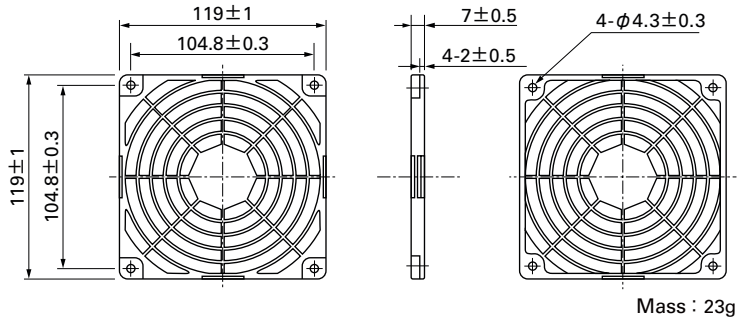
Finger Guards

Model : 109-019C Surface treatment : Nickel-chrome plating (silver) Color
: 109-019H : Cation electropainting (black)



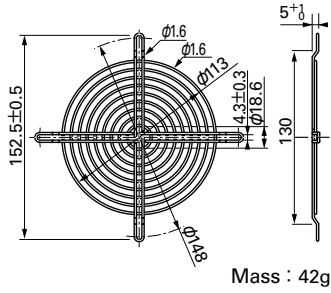
Resin Finger Guards

Model : 109-1000G



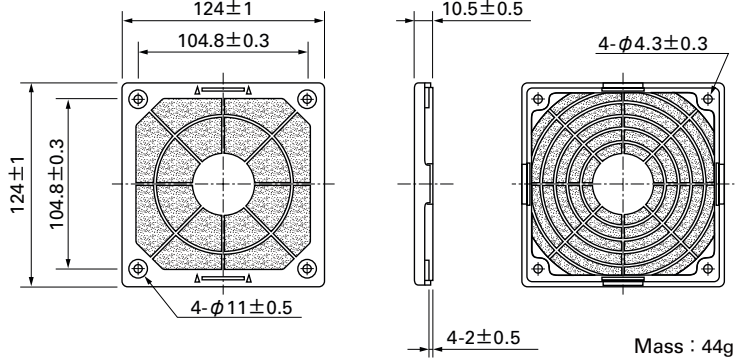
Model : 109-019E Surface treatment : Nickel-chrome plating (silver) Color
: 109-019K : Cation electropainting (black)

Inlet side, Outlet side

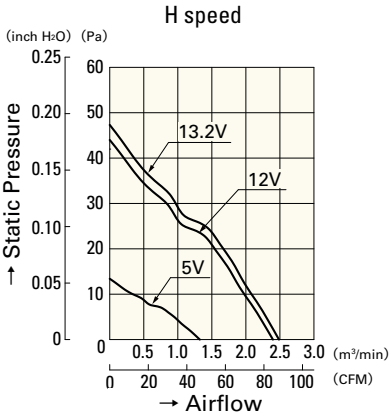


Resin Filter Kits

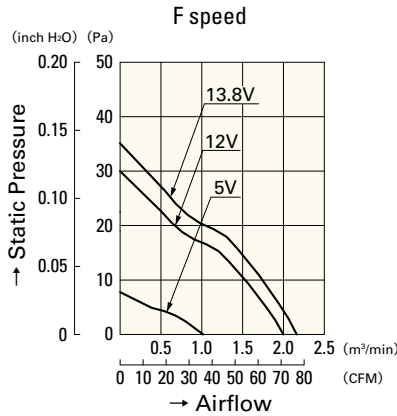
Model : 109-1000F13 (13PPI), 109-1000F20 (20PPI)
: 109-1000F30 (30PPI), 109-1000F40 (40PPI)



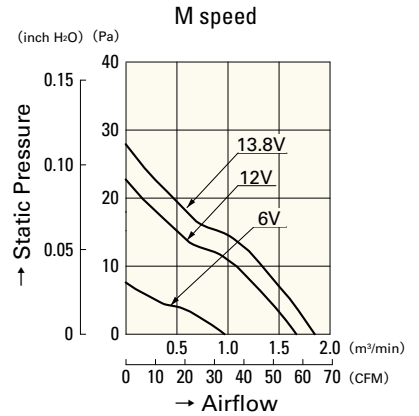
Airflow - Static Pressure Characteristics



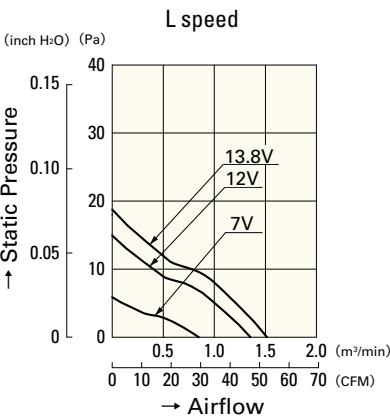
9S1212H401



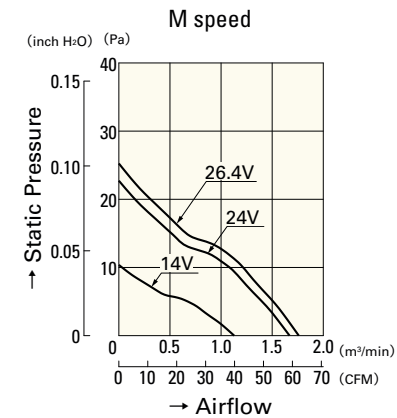
9S1212F401



9S1212M401



9S1212L401



9S1224M401

120mm sq.

San Ace 120



General Specifications

- Material Frame: Plastics (Flammability: UL94V-0),
Impeller: Plastics (Flammability: UL94V-1)
- Expected Life Refer to specifications (L10:Survival rate:90% at 60°C ,
rated voltage, and continuously run in a free air state)
- Lead Wire ⊕red ⊖black (Sensor) yellow (Control) brown
- Storage Temperature -30°C to +70°C (Non-condensing)

120×120×25mm (Mass : 260g) **9GV type** 

Specifications

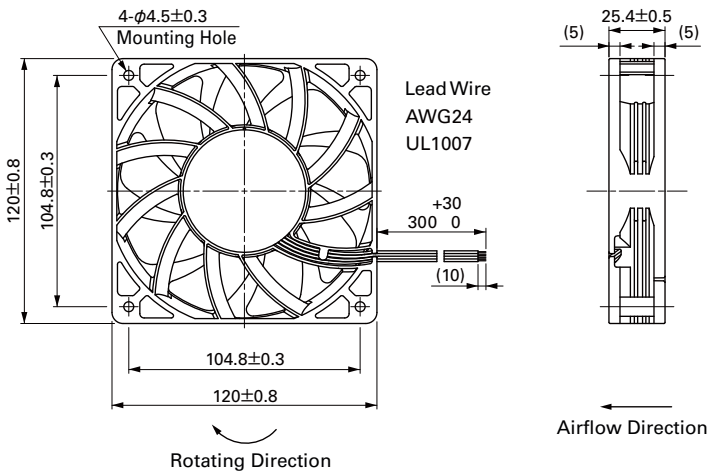
The following nos. **have PWM controls, pulse sensors, and ribs.** For ribless, append "1" to the model no.

Model No.	Rated Voltage [V]	Operating Voltage Range [V]	PWM duty cycle* [%]	Rated Current [A]	Rated Input [W]	Rated Speed [min ⁻¹]	Max. Airflow [m ³ /min] [CFM]	Max. Static Pressure [Pa] [inchH ₂ O]	SPL [dB(A)]	Operating Temperature [°C]	Expected Life [h]
9GV1212P4G01	12	10.2 to 13.8	100	1.68	20.16	5,100	4.83 171	224 0.90	58	-20 to +70	40,000/60°C
			0	0.18	2.16	1,650	1.56 55.1	23.5 0.09	30		
9GV1224P4G01	24	20.4 to 27.6	100	0.84	20.16	5,100	4.83 171	224 0.90	58		
			0	0.13	3.12	1,650	1.56 55.1	23.5 0.09	30		
9GV1248P4J01	48	40.8 to 55.2	100	0.5	24.00	5,400	5.11 180	251 1.01	59		
			0	0.15	7.20	3,000	2.84 100	77.5 0.31	47		
9GV1248P4G01	48	40.8 to 60.0	100	0.42	20.16	5,100	4.83 171	224 0.90	58		
			0	0.07	3.36	1,650	1.56 55.1	23.5 0.09	30		
9GV1248P4H01	48	40.8 to 60.0	100	0.33	15.84	4,600	4.35 154	182 0.73	55		
			0	0.07	3.36	1,650	1.56 55.1	23.5 0.09	30		

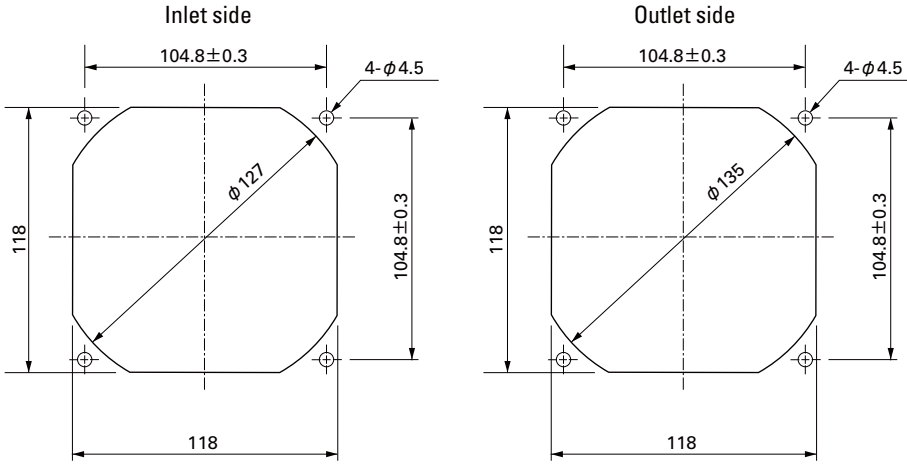
*PWM Frequency : 25kHz

Other sensor specifications are available as options. Please refer to the index (p. 508).

Dimensions (unit: mm) (With ribs)



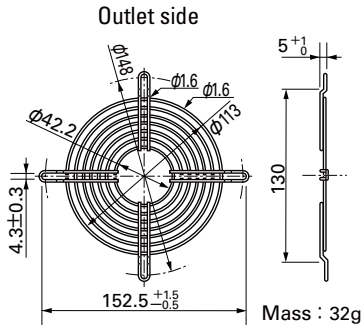
Reference Dimensions of Mounting Holes and Vent Opening (unit: mm)



Options (unit: mm)

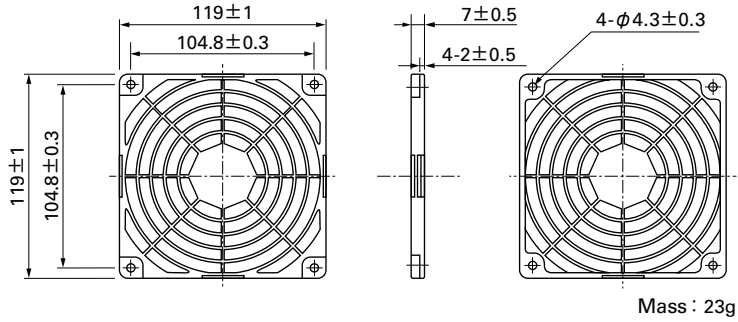
Finger Guards

Model : 109-019C Surface treatment : Nickel-chrome plating (silver) Color : 109-019H : Cation electropainting (black)

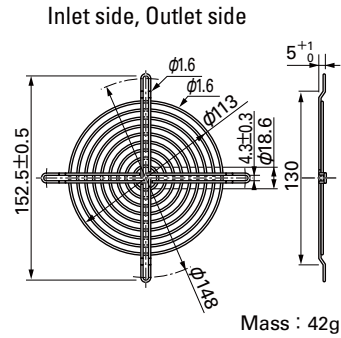


Resin Finger Guards

Model : 109-1000G

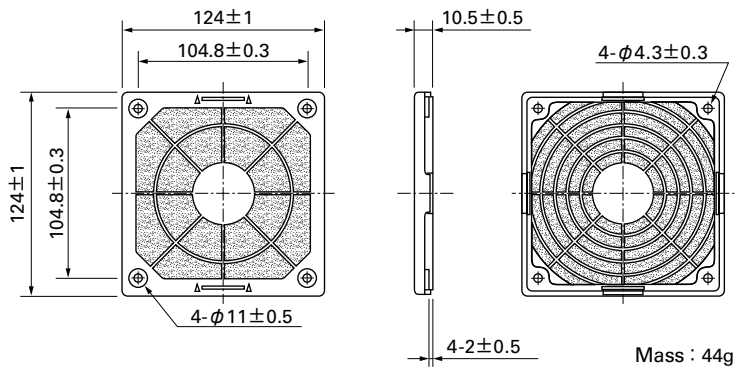


Model : 109-019E Surface treatment : Nickel-chrome plating (silver) Color : 109-019K : Cation electropainting (black)



Resin Filter Kits

Model : 109-1000F13 (13PPI), 109-1000F20 (20PPI) : 109-1000F30 (30PPI), 109-1000F40 (40PPI)



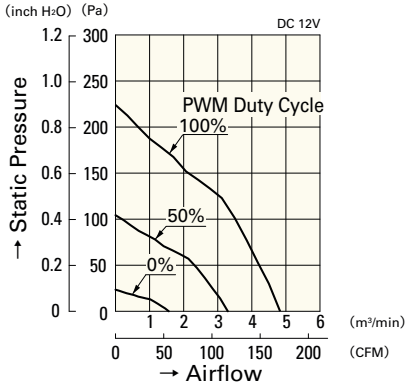
120mm sq.

San Ace 120

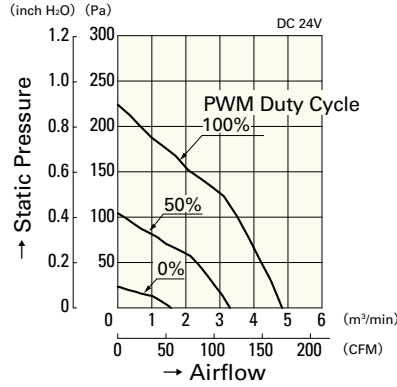
120×120×25mm [Mass : 260g]

Airflow - Static Pressure Characteristics

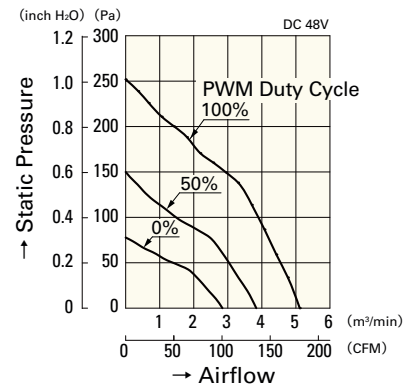
PWM Duty Cycle



9GV1212P4G01

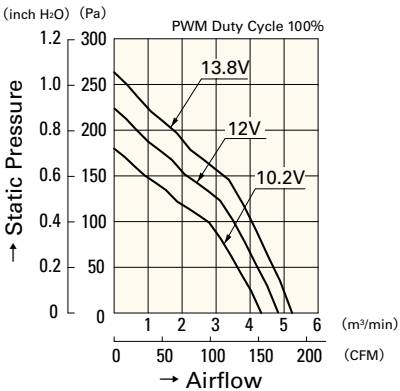


9GV1224P4G01

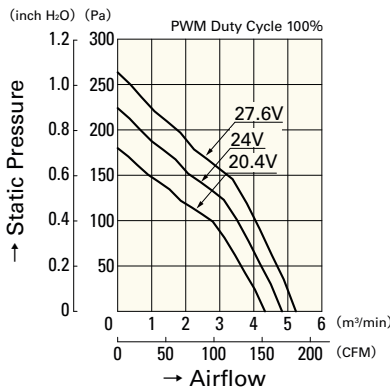


9GV1248P4J01

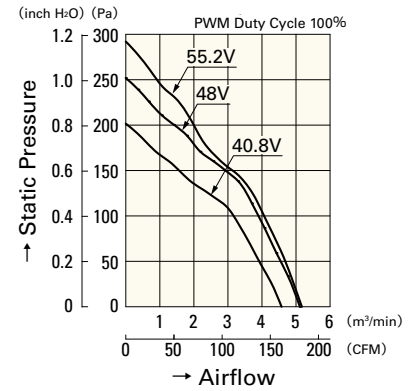
Operating Voltage Range



9GV1212P4G01

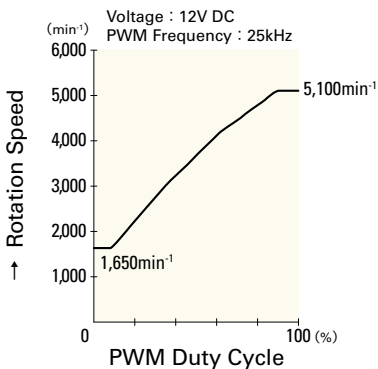


9GV1224P4G01

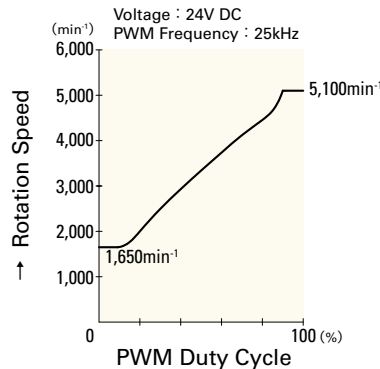


9GV1248P4J01

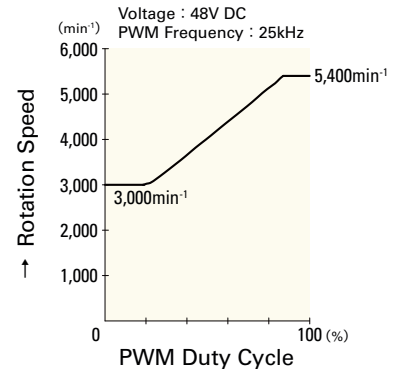
PWM Duty - Speed Characteristics Example



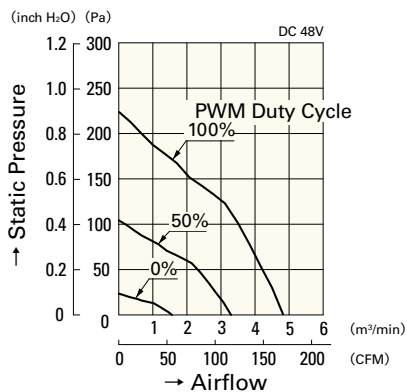
9GV1212P4G01



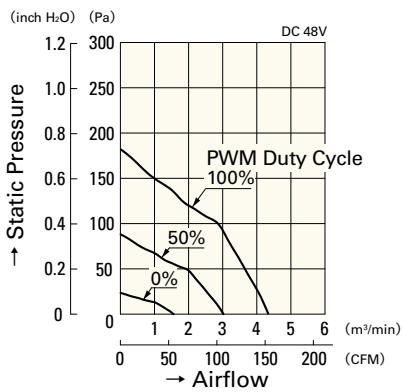
9GV1224P4G01



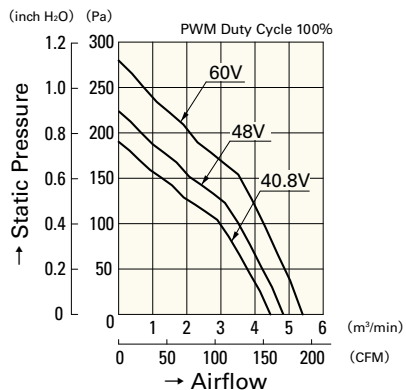
9GV1248P4J01



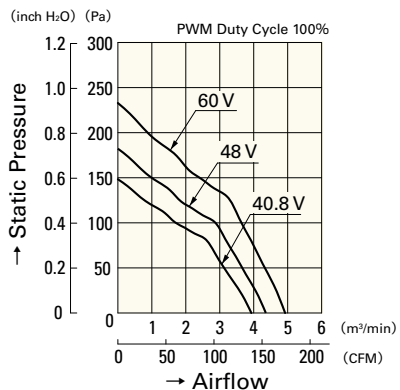
9GV1248P4G01



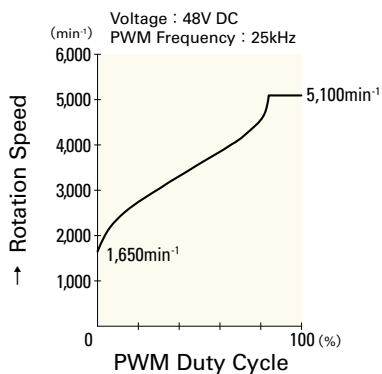
9GV1248P4H01



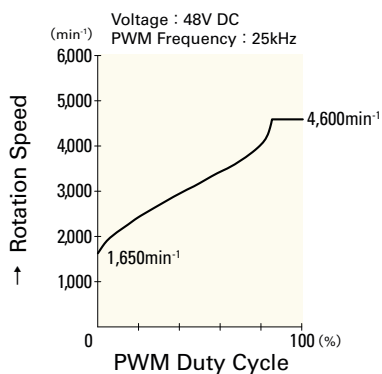
9GV1248P4G01



9GV1248P4H01



9GV1248P4G01



9GV1248P4H01

120 mm sq.

San Ace 120



Model no. 9G1212B401 is not certified.

General Specifications

- Material Frame: Plastics (Flammability: UL94V-0),
Impeller: Plastics (Flammability: UL94V-1)
- Expected Life Refer to specifications (L10:Survival rate:90% at 60°C ,
rated voltage, and continuously run in a free air state)
- Lead Wire ⊕red ⊖black or blue (Sensor) yellow
- Storage Temperature -30°C to +70°C (Non-condensing)

120×120×25mm (Mass : 240g) **9G type**

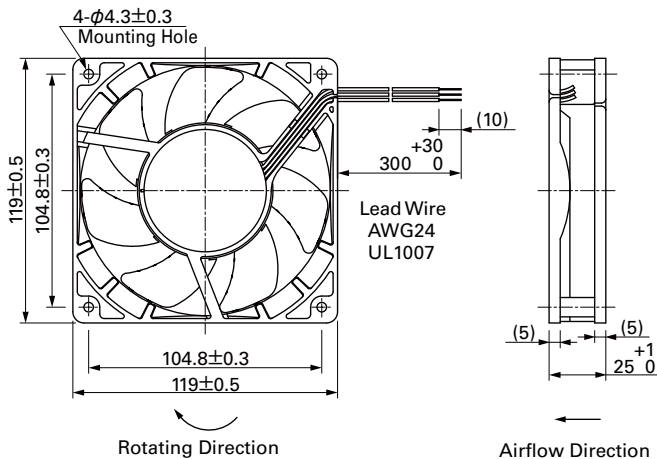
Specifications

The following nos. **have pulse sensors and ribs**. For ribless, append "1" to the model no.

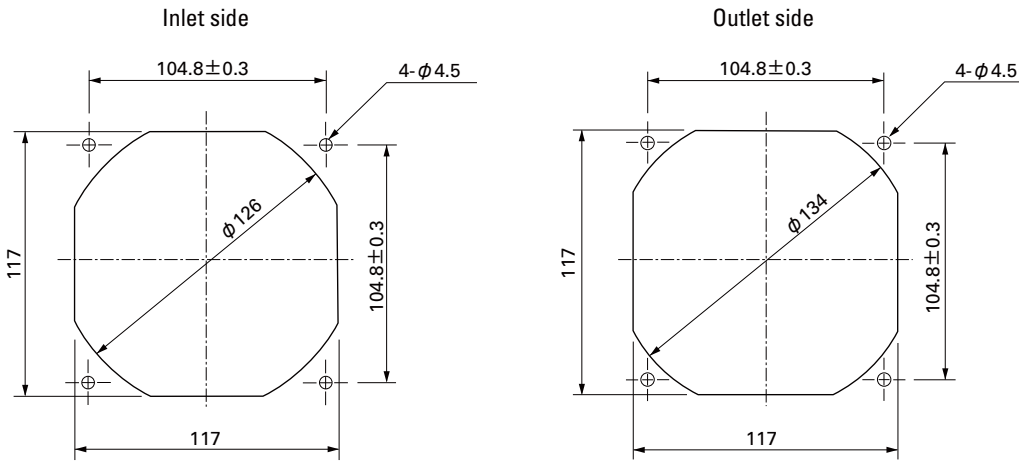
Model No.	Rated Voltage [V]	Operating Voltage Range [V]	Rated Current [A]	Rated Input [W]	Rated Speed [min ⁻¹]	Max. Airflow [m ³ /min] [CFM]	Max. Static Pressure [Pa] [inchH ₂ O]	SPL [dB(A)]	Operating Temperature [°C]	Expected Life [h]
9G1212G401	12	10.2 to 13.8	0.90	10.8	4,100	3.68 130	120 0.482	51	-20 to +70	40,000/60°C
9G1212E401			0.58	6.96	3,650	3.25 115	98 0.394	48		
9G1212A401			0.40	4.80	3,150	2.83 100	77 0.309	44		
9G1212H401		6 to 13.8	0.31	3.72	2,850	2.50 88	64 0.257	40		
9G1212F401		7 to 13.8	0.19	2.28	2,250	1.98 70	42 0.169	35		
9G1212M401		0.14	1.68	1,950	1.66 59	31 0.124	29			
9G1212B401		10.2 to 13.8	0.06	0.72	1,000	0.88 31	9.6 0.039	18		
9G1224G401	24	20.4 to 27.6	0.47	11.28	4,100	3.68 130	120 0.482	51		
9G1224E401			0.37	8.88	3,650	3.25 115	98 0.394	48		
9G1224A401			0.21	5.04	3,150	2.83 100	77 0.309	44		
9G1224H401		12 to 27.6	0.17	4.08	2,850	2.50 88	64 0.257	40		
9G1224F401		20.4 to 27.6	0.10	2.40	2,250	1.98 70	42 0.169	35		
9G1224M401		0.08	1.92	1,950	1.66 59	31 0.124	29			
9G1248G401	48	40.8 to 55.2	0.23	11.04	4,100	3.68 130	120 0.482	51		
9G1248E401			0.16	7.68	3,650	3.25 115	98 0.394	48		
9G1248A401			0.13	6.24	3,150	2.83 100	77 0.309	44		
9G1248H401			0.10	4.80	2,850	2.50 88	64 0.257	40		
9G1248F401			0.06	2.88	2,250	1.98 70	42 0.169	35		
9G1248M401			0.05	2.40	1,950	1.66 59	31 0.124	29		

Other sensor specifications are available as options. Please refer to the index (pp. 503 to 504).

Dimensions (unit: mm) (With ribs)



Reference Dimensions of Mounting Holes and Vent Opening (unit: mm)

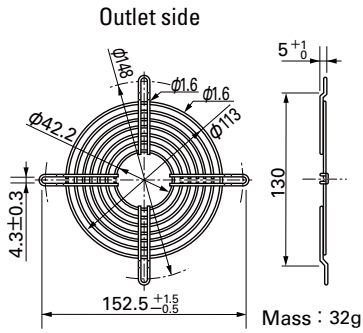


Options (unit: mm)

Finger Guards

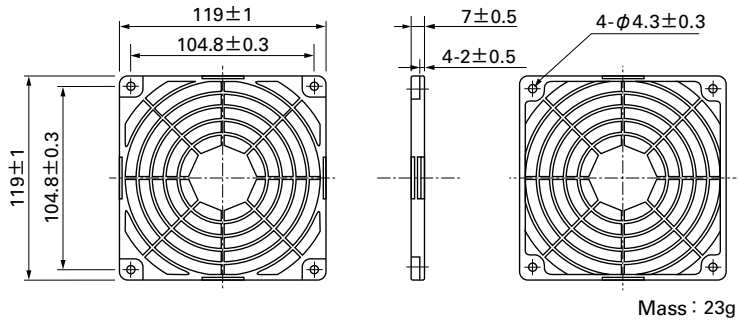
Model : 109-019C Surface treatment : Nickel-chrome plating (silver)
 : 109-019H : Cation electropainting (black)

Color



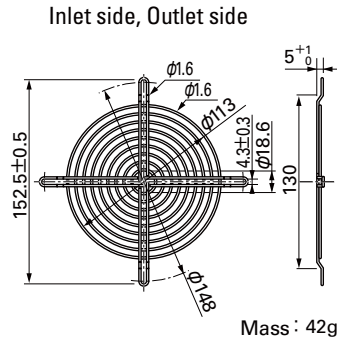
Resin Finger Guards

Model : 109-1000G



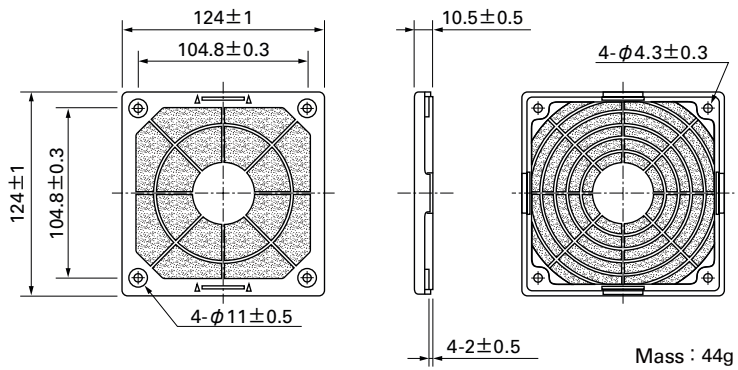
Model : 109-019E Surface treatment : Nickel-chrome plating (silver)
 : 109-019K : Cation electropainting (black)

Color



Resin Filter Kits

Model : 109-1000F13 (13PPI), 109-1000F20 (20PPI)
 : 109-1000F30 (30PPI), 109-1000F40 (40PPI)

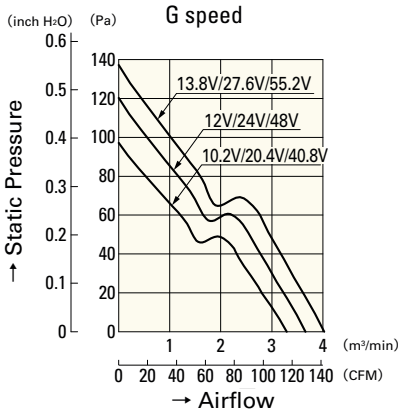


120mm sq.

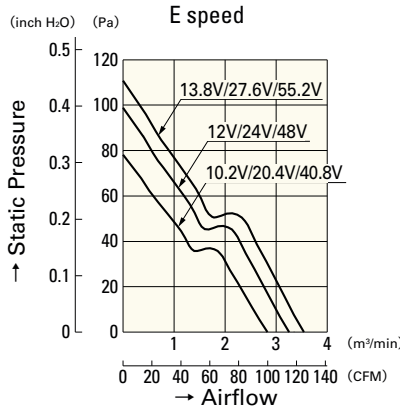
San Ace 120

120×120×25mm [Mass : 240g]

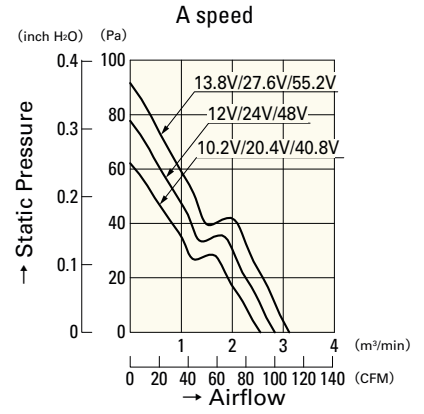
Airflow - Static Pressure Characteristics



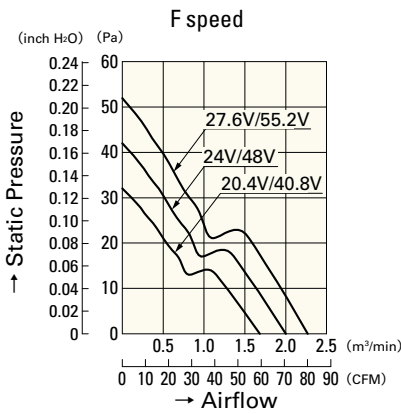
- 9G1212G401**
- 9G1224G401**
- 9G1248G401**



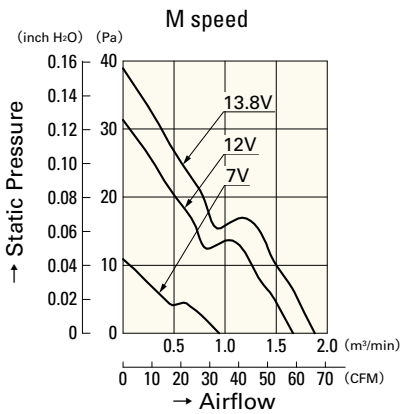
- 9G1212E401**
- 9G1224E401**
- 9G1248E401**



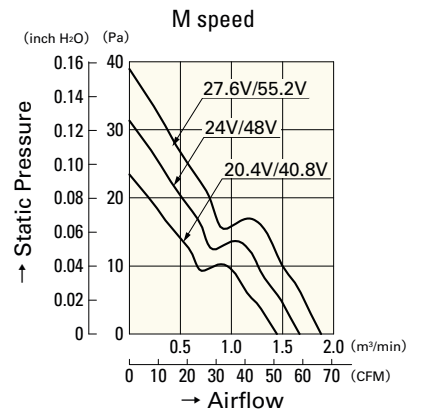
- 9G1212A401**
- 9G1224A401**
- 9G1248A401**



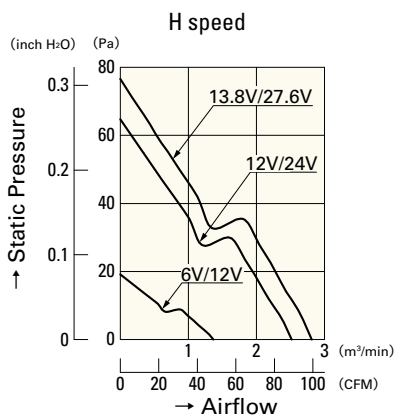
- 9G1224F401**
- 9G1248F401**



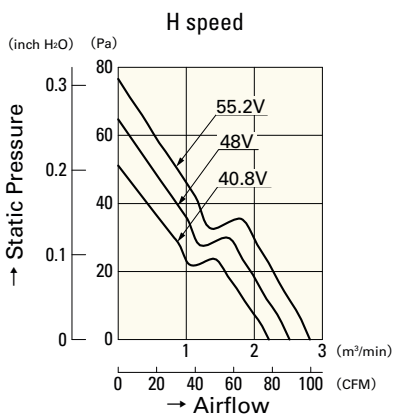
- 9G1212M401**



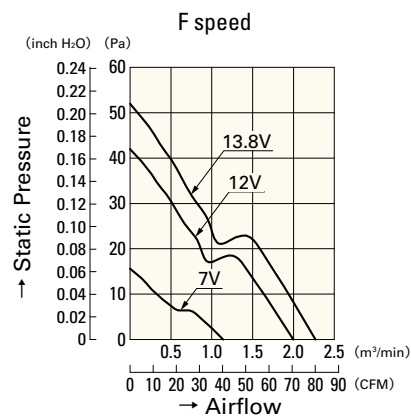
- 9G1224M401**
- 9G1248M401**



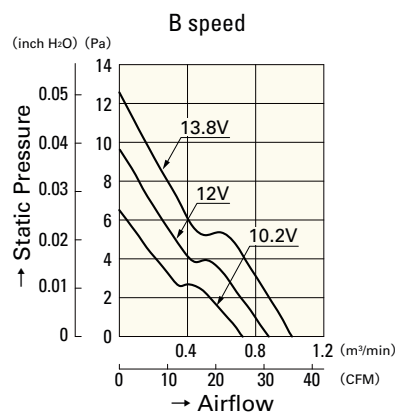
9G1212H401
9G1224H401



9G1248H401



9G1212F401



9G1212B401

120mm sq.

San Ace 120



General Specifications

- Material Frame: Aluminum, Impeller: Plastics (Flammability: UL94V-1)
- Expected Life Refer to specifications (L10:Survival rate:90% at 60°C , rated voltage, and continuously run in a free air state)
- Lead Wire ⊕red ⊖black (Sensor) yellow (Control) brown
- Storage Temperature -30°C to +70°C (Non-condensing)

120×120×38mm (Mass : 460g) **9HV type**

Specifications

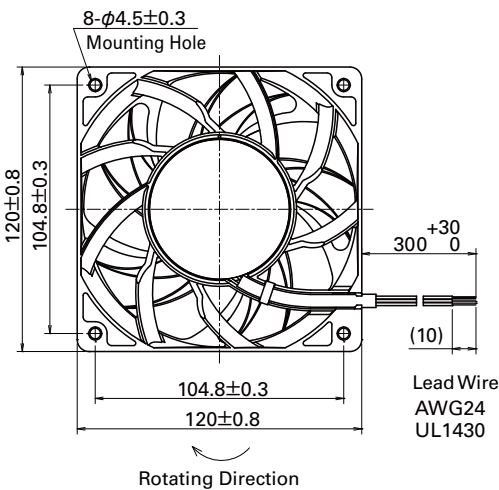
The following nos. **have PWM controls and pulse sensors.**

Model No.	Rated Voltage [V]	Operating Voltage Range [V]	PWM duty cycle* [%]	Rated Current [A]	Rated Input [W]	Rated Speed [min ⁻¹]	Max. Airflow [m ³ /min] [CFM]	Max. Static Pressure [Pa] [inchH ₂ O]	SPL [dB(A)]	Operating Temperature [°C]	Expected Life [h]
9HV1224P1A001	24	21.6 to 26.4	100 0	2.4 0.37	57.6 8.88	9,600 3,800	7.0 247 2.7 95	950 3.82 161 0.65	71 46	-20 to +70	40,000/60°C (70,000/40°C)
9HV1248P1G001	48	36 to 60	100 0	2.0 0.23	96 11	11,500 3,800	8.3 293 2.7 95	1,300 5.22 161 0.65	75 46		
9HV1248P1H001			100 0	1.4 0.23	67 11	10,000 3,800	7.2 254 2.7 95	1,050 4.22 161 0.65	72 46		

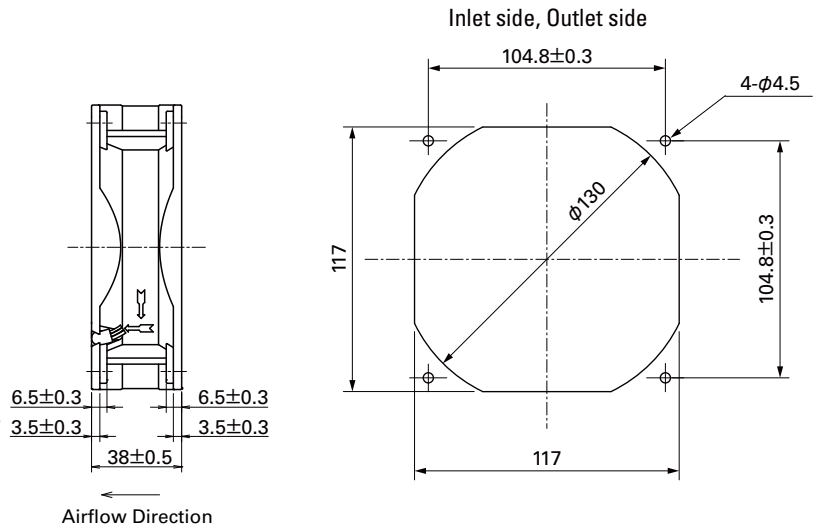
*PWM Frequency : 25kHz

Other sensor specifications are available as options. Please refer to the index (p. 509).

Dimensions (unit: mm)



Reference Dimensions of Mounting Holes and Vent Opening (unit: mm)

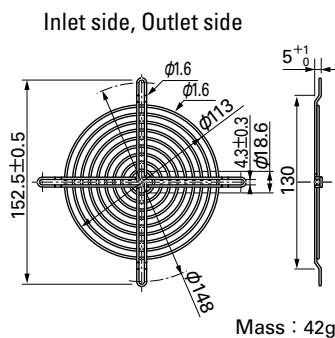
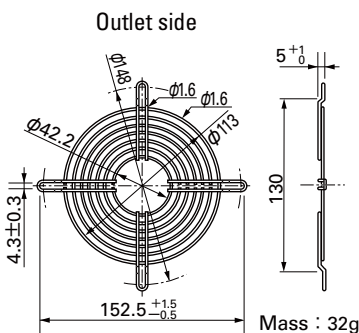


Options (unit: mm)

Finger Guards

Model : 109-019C Surface treatment : Nickel-chrome plating (silver) Color : 109-019H : Cation electropainting (black)

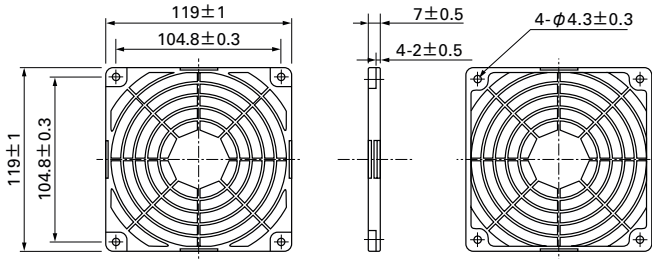
Model : 109-019E Surface treatment : Nickel-chrome plating (silver) Color : 109-019K : Cation electropainting (black)



Options (unit: mm)

Resin Finger Guards

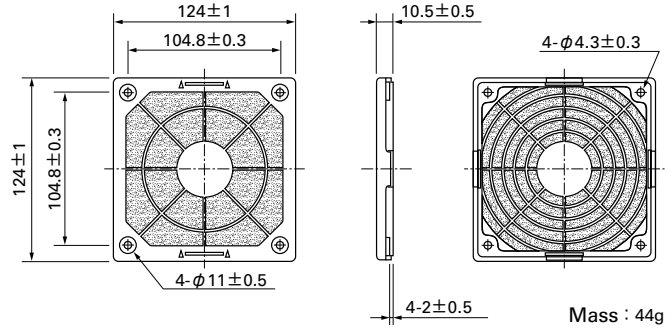
Model : 109-1000G



Mass : 23g

Resin Filter Kits

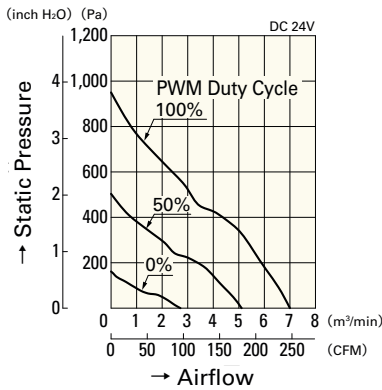
Model : 109-1000F13 (13PPI), 109-1000F20 (20PPI)
: 109-1000F30 (30PPI), 109-1000F40 (40PPI)



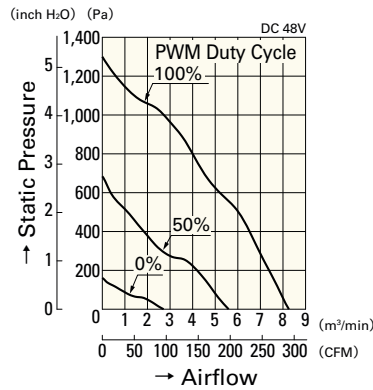
Mass : 44g

Airflow - Static Pressure Characteristics

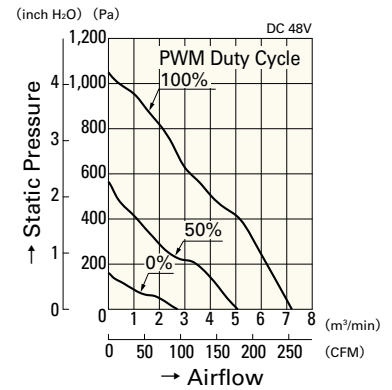
PWM Duty Cycle



9HV1224P1A001

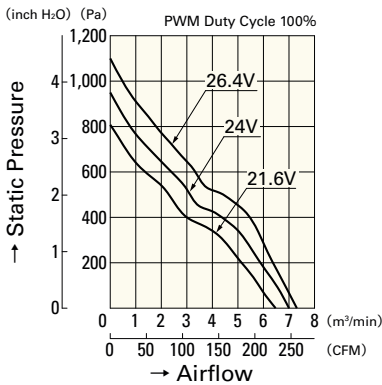


9HV1248P1G001

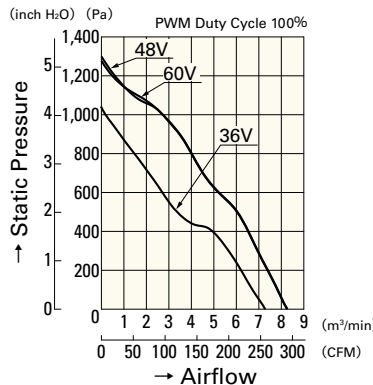


9HV1248P1H001

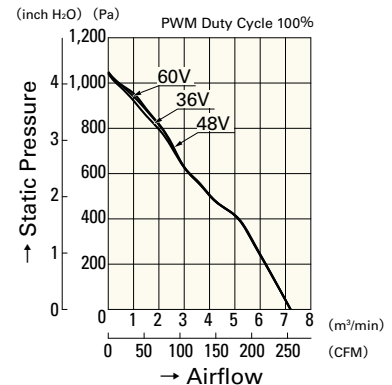
Operating Voltage Range



9HV1224P1A001

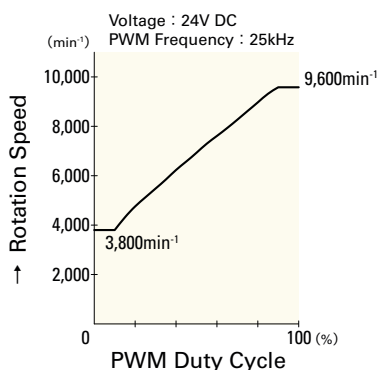


9HV1248P1G001

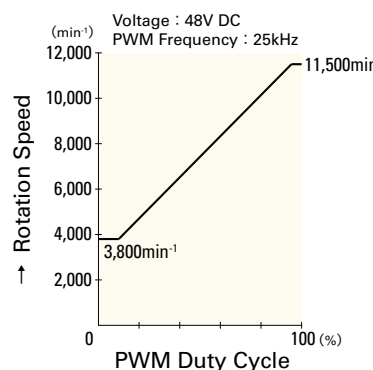


9HV1248P1H001

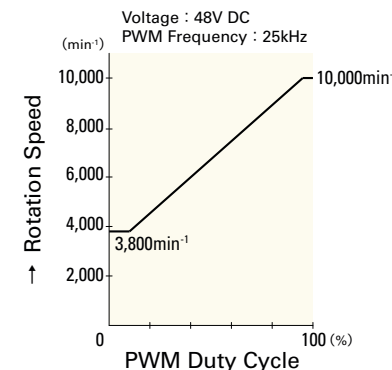
PWM Duty - Speed Characteristics Example



9HV1224P1A001



9HV1248P1G001



9HV1248P1H001

120 mm sq.

San Ace 120



General Specifications

- Material Frame: Plastics (Flammability: UL94V-0),
Impeller: Plastics (Flammability: UL94V-1)
- Expected Life Refer to specifications (L10:Survival rate:90% at 60°C ,
rated voltage, and continuously run in a free air state)
- Lead Wire ⊕red ⊖black (Sensor) yellow (Control) brown
- Storage Temperature -30°C to +70°C (Non-condensing)

120×120×38mm [Mass : 360g] **9GV** type

Specifications

The following nos. **have PWM controls, pulse sensors, and ribs.** For ribless, append "1" to the model no.

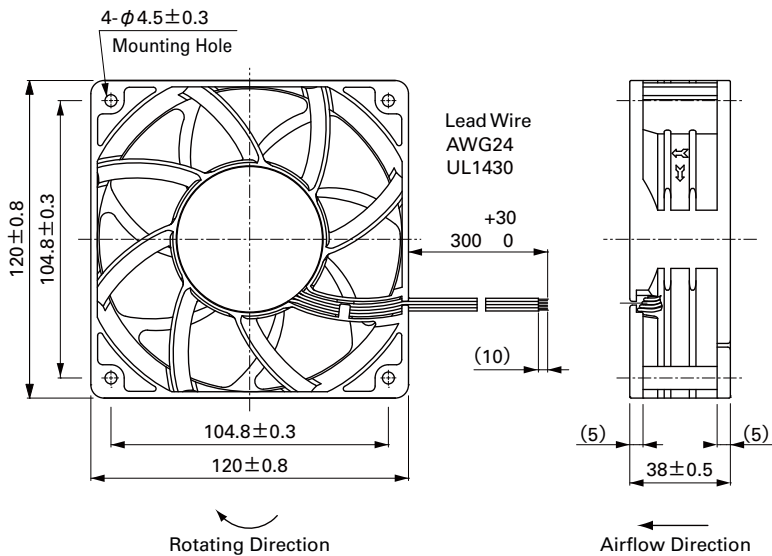
Model No.	Rated Voltage [V]	Operating Voltage Range [V]	PWM duty cycle* [%]	Rated Current [A]	Rated Input [W]	Rated Speed [min ⁻¹]	Max. Airflow [m ³ /min] [CFM]	Max. Static Pressure [Pa] [inchH ₂ O]	SPL [dB(A)]	Operating Temperature [°C]	Expected Life [h]
9GV1212P1J01	12	10.2 to 13.8	100	3.00	36.00	6,400	6.35 224.0	360.0 1.45	64	-20 to +70	40,000/60°C
			0	0.19	2.28	1,500	1.49 52.6	19.8 0.08	33		
9GV1212P1G01	12	10.2 to 13.8	100	2.1	25.2	5,500	5.45 192.6	265 1.06	60		
			0	0.19	2.28	1,500	1.49 52.6	19.8 0.08	33		
9GV1224P1J01 (Note)	24	20.4 to 27.6	100	1.5	36.00	6,400	6.35 224.0	360 1.45	64		
9GV1224P1H01 (Note)			100	0.8	19.2	5,200	5.16 182.3	237 0.95	58		
9GV1248P1J01	48	40.8 to 55.2	100	0.75	36.00	6,400	6.35 224.0	360.0 1.45	64		
			0	0.06	2.88	1,500	1.49 52.6	26.1 0.106	33		

Note: Fan does not rotate when PWM duty cycle is 0%.

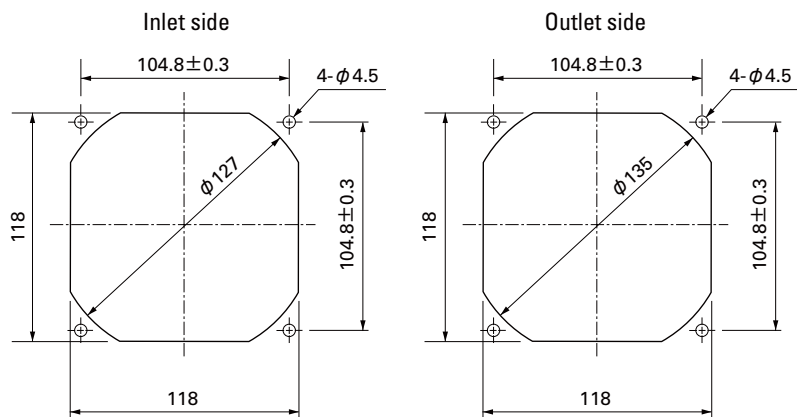
* PWM Frequency : 25kHz

Other sensor specifications are available as options. Please refer to the index (p. 508).

Dimensions (unit: mm) (With ribs)



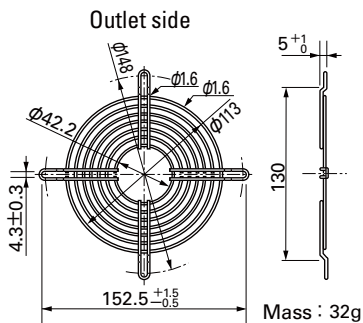
Reference Dimensions of Mounting Holes and Vent Opening (unit: mm)



Options (unit: mm)

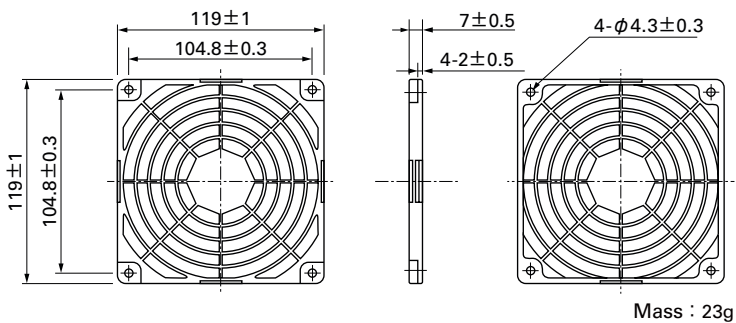
Finger Guards

Model : 109-019C Surface treatment : Nickel-chrome plating (silver) Color : 109-019H : Cation electropainting (black)

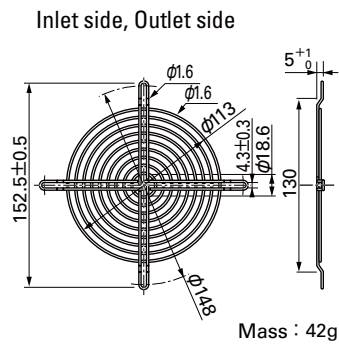


Resin Finger Guards

Model : 109-1000G

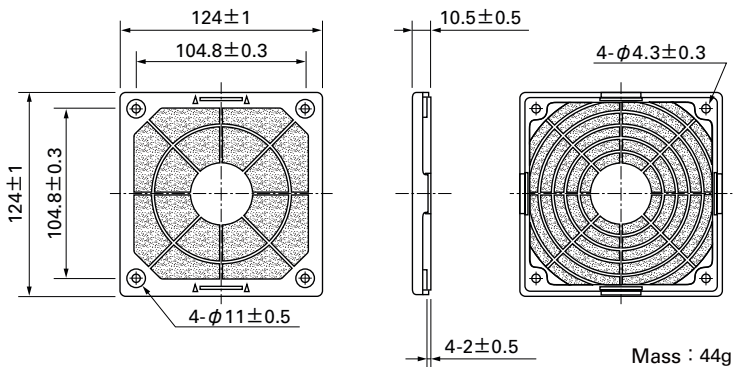


Model : 109-019E Surface treatment : Nickel-chrome plating (silver) Color : 109-019K : Cation electropainting (black)



Resin Filter Kits

Model : 109-1000F13 (13PPI), 109-1000F20 (20PPI) : 109-1000F30 (30PPI), 109-1000F40 (40PPI)



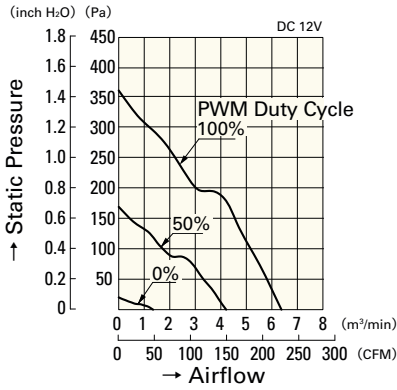
120mm sq.

San Ace 120

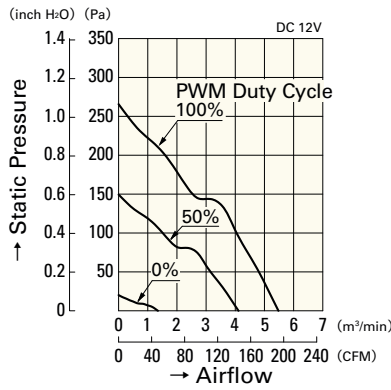
120×120×38mm [Mass : 360g]

Airflow - Static Pressure Characteristics

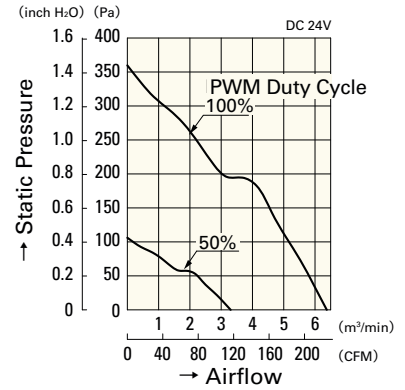
PWM Duty Cycle



9GV1212P1J01

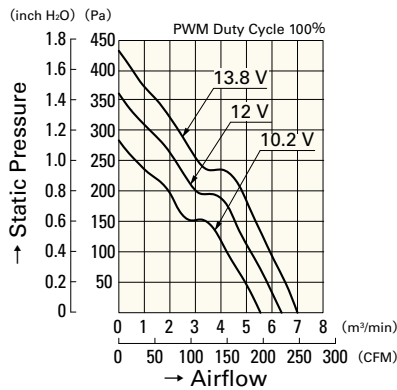


9GV1212P1G01

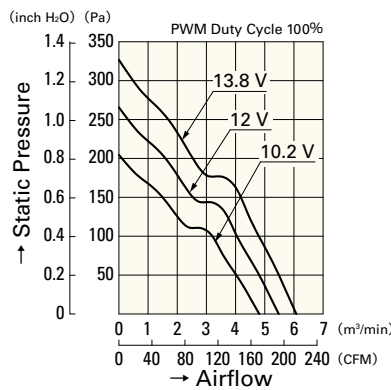


9GV1224P1J01

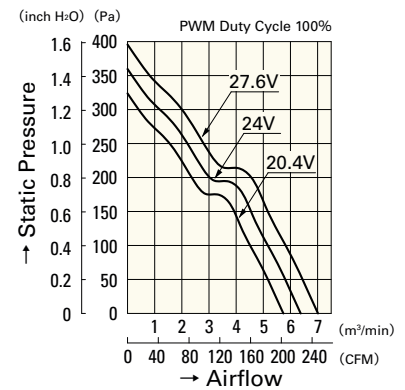
Operating Voltage Range



9GV1212P1J01

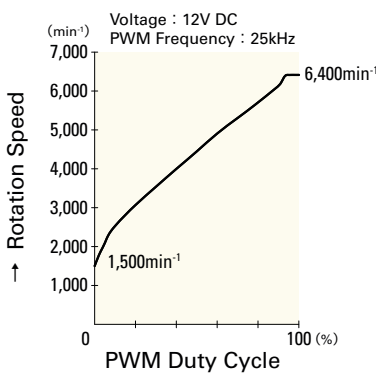


9GV1212P1G01

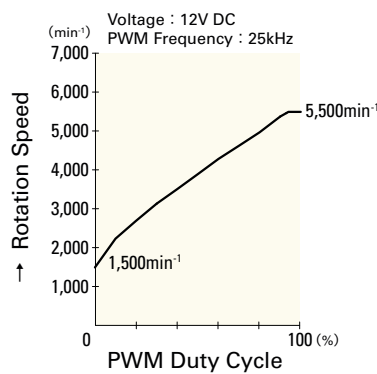


9GV1224P1J01

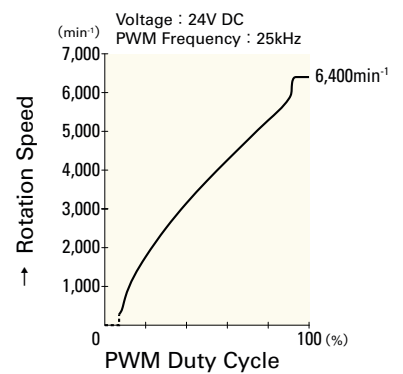
PWM Duty - Speed Characteristics Example



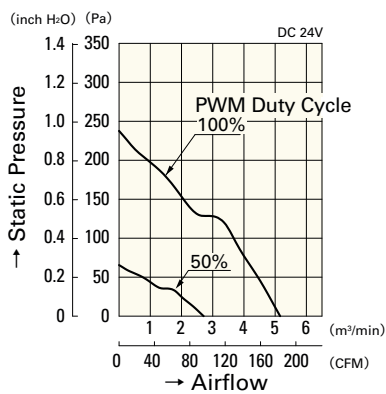
9GV1212P1J01



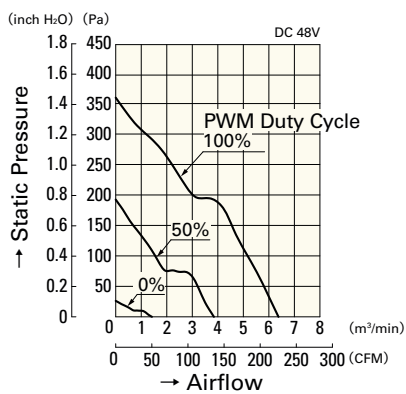
9GV1212P1G01



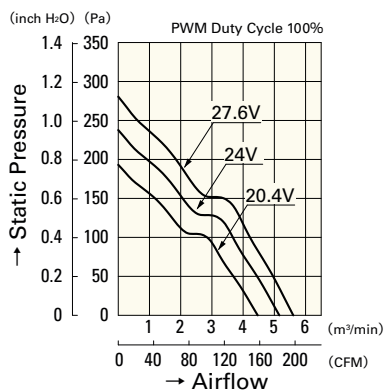
9GV1224P1J01



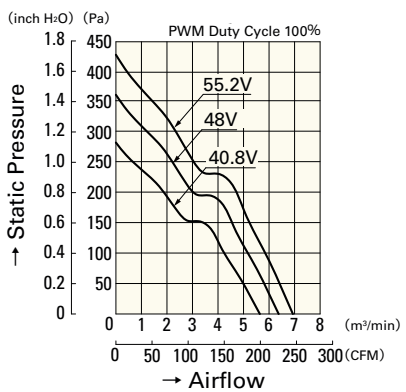
9GV1224P1H01



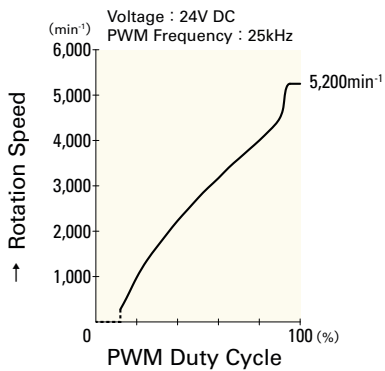
9GV1248P1J01



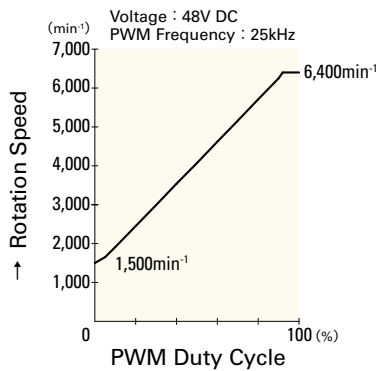
9GV1224P1H01



9GV1248P1J01



9GV1224P1H01



9GV1248P1J01

120mm sq.

San Ace 120



General Specifications

- Material Frame: Plastics (Flammability: UL94V-0),
Impeller: Plastics (Flammability: UL94V-1)
- Expected Life Refer to specifications (L10:Survival rate:90% at 60°C ,
rated voltage, and continuously run in a free air state)
- Lead Wire ⊕red ⊖black or blue (Sensor) yellow
- Storage Temperature -30°C to +70°C (Non-condensing)

120×120×38mm (Mass : 330g) **9G type**

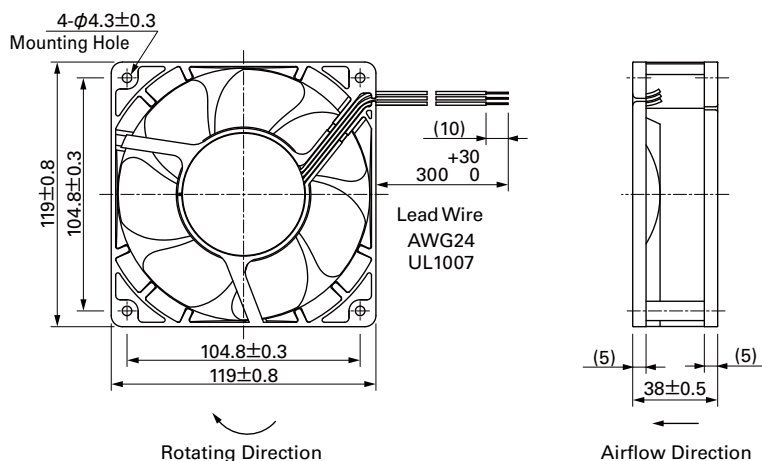
Specifications

The following nos. **have pulse sensors and ribs.** For ribless, append "1" to the model no.

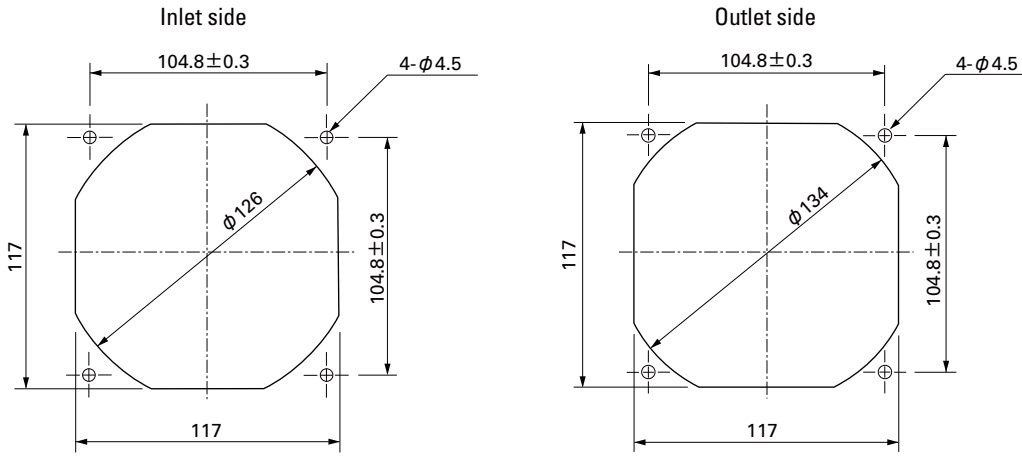
Model No.	Rated Voltage [V]	Operating Voltage Range [V]	Rated Current [A]	Rated Input [W]	Rated Speed [min ⁻¹]	Max. Airflow [m ³ /min] [CFM]	Max. Static Pressure [Pa] [inchH ₂ O]	SPL [dB(A)]	Operating Temperature [°C]	Expected Life [h]
9G1212G101	12	10.2 to 13.8	0.98	11.76	3,600	3.88 137	135 0.542	49	-20 to +70	40,000/60°C
9G1212E101			0.61	7.32	3,100	3.34 118	100 0.402	46		
9G1212H101		7 to 13.8	0.38	4.56	2,600	2.80 99	70.4 0.283	39		
9G1212F101			0.28	3.36	2,280	2.45 87	54.2 0.218	36		
9G1212M101			0.21	2.52	1,950	2.10 74	39.6 0.159	32		
9G1224G101	24	20.4 to 27.6	0.50	12	3,600	3.88 137	135 0.542	49		
9G1224E101			0.34	8.16	3,100	3.34 118	100 0.402	46		
9G1224H101		14 to 27.6	0.22	5.28	2,600	2.80 99	70.4 0.283	39		
9G1224F101			0.16	3.84	2,280	2.45 87	54.2 0.218	36		
9G1224M101			0.11	2.64	1,950	2.10 74	39.6 0.159	32		
9G1248G101	48	40.8 to 55.2	0.25	12	3,600	3.88 137	135 0.542	49		
9G1248E101			0.17	8.16	3,100	3.34 118	100 0.402	46		
9G1248H101			0.11	5.28	2,600	2.80 99	70.4 0.283	39		
9G1248F101			0.09	4.32	2,280	2.45 87	54.2 0.218	36		
9G1248M101			0.07	3.36	1,950	2.10 74	39.6 0.159	32		

Other sensor specifications are available as options. Please refer to the index (pp. 503 to 504).

Dimensions (unit: mm) (With ribs)



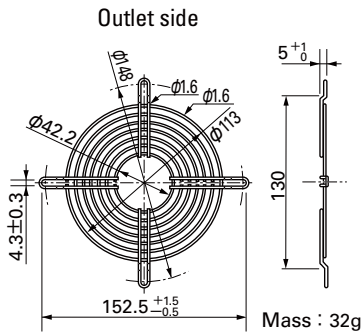
Reference Dimensions of Mounting Holes and Vent Opening (unit: mm)



Options (unit: mm)

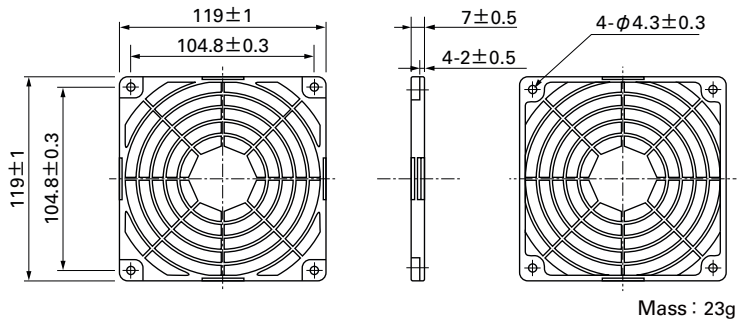
Finger Guards

Model : 109-019C Surface treatment : Nickel-chrome plating (silver) Color : 109-019H : Cation electropainting (black)

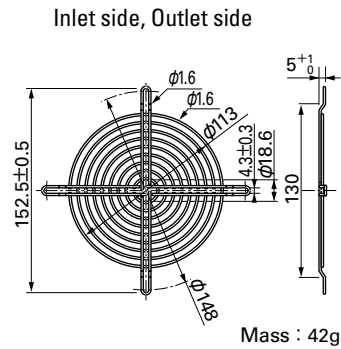


Resin Finger Guards

Model : 109-1000G

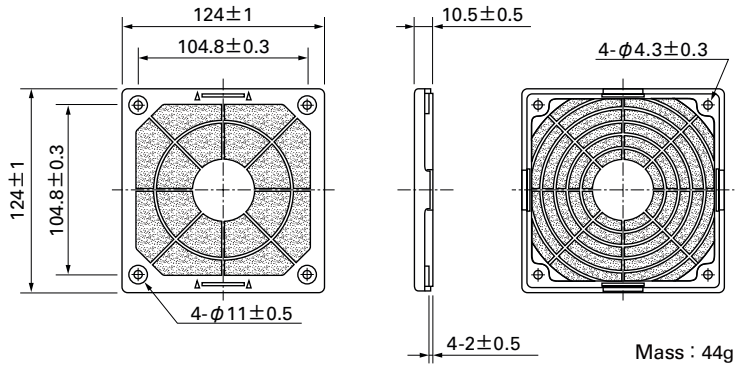


Model : 109-019E Surface treatment : Nickel-chrome plating (silver) Color : 109-019K : Cation electropainting (black)



Resin Filter Kits

Model : 109-1000F13 (13PPI), 109-1000F20 (20PPI) : 109-1000F30 (30PPI), 109-1000F40 (40PPI)

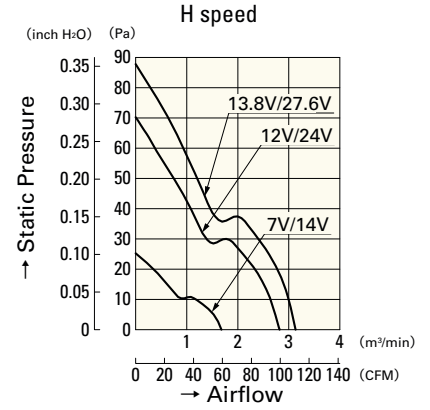
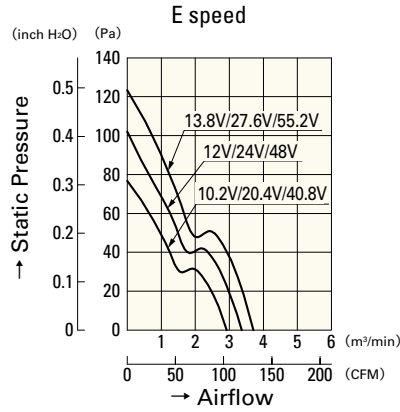
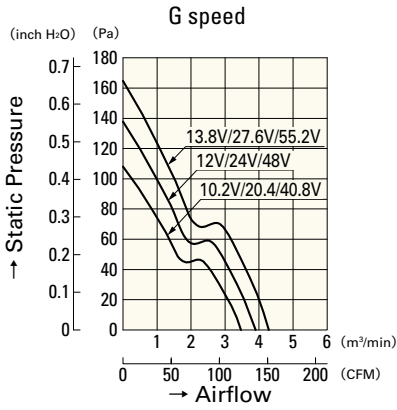


120mm sq.

San Ace 120

120×120×38mm [Mass : 330g]

Airflow - Static Pressure Characteristics



9G1212G101

9G1224G101

9G1248G101

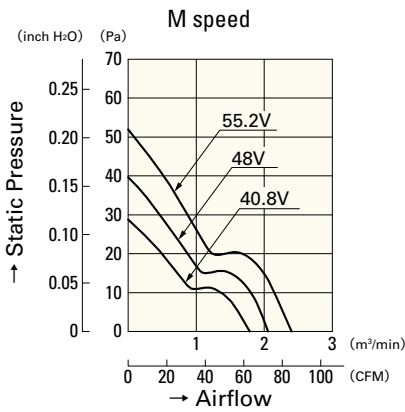
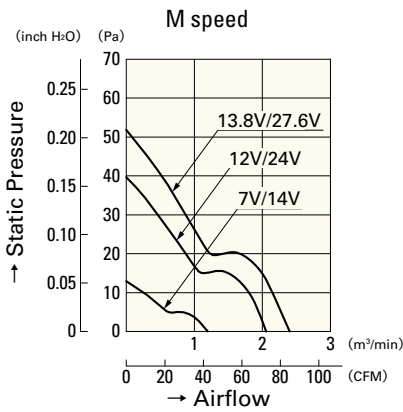
9G1212E101

9G1224E101

9G1248E101

9G1212H101

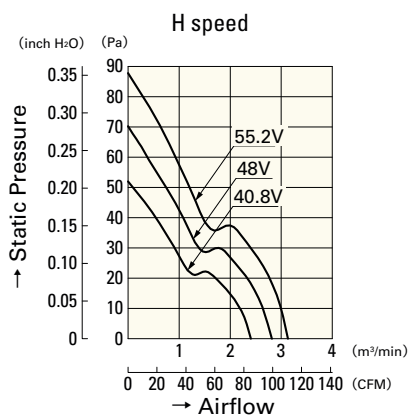
9G1224H101



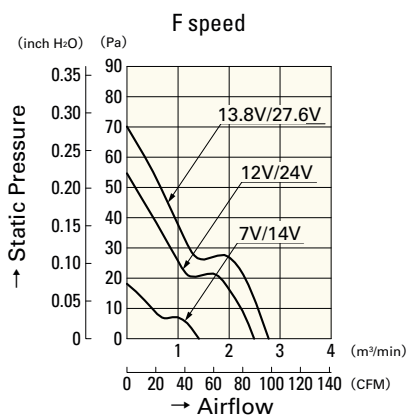
9G1212M101

9G1224M101

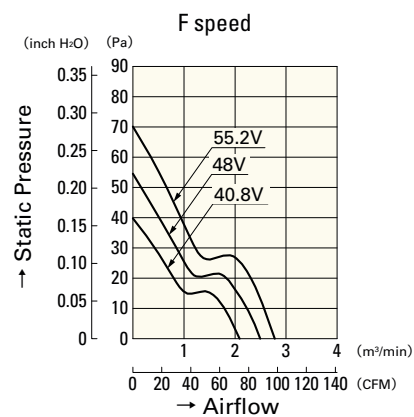
9G1248M101



9G1248H101



9G1212F101
9G1224F101



9G1248F101

120 mm sq.

San Ace 120



Model no. 9SG1224H101 is not certified.

General Specifications

- Material Frame: Aluminum, Impeller: Plastics (Flammability: UL94V-1)
- Expected Life Refer to specifications (L10:Survival rate:90% at 60°C ,
rated voltage, and continuously run in a free air state)
- Lead Wire ⊕red ⊖black or blue (Sensor) yellow
- Storage Temperature -30°C to +70°C (Non-condensing)

120×120×38mm (Mass : 400g) **9SG type**

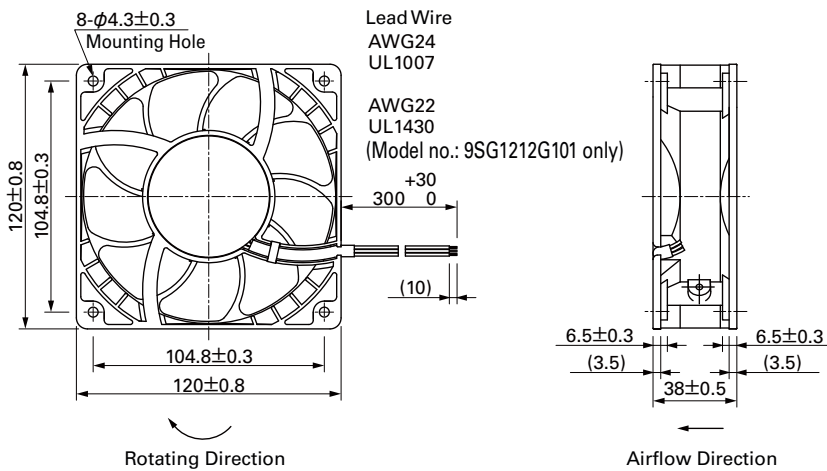
Specifications

The following nos. **have pulse sensors.**

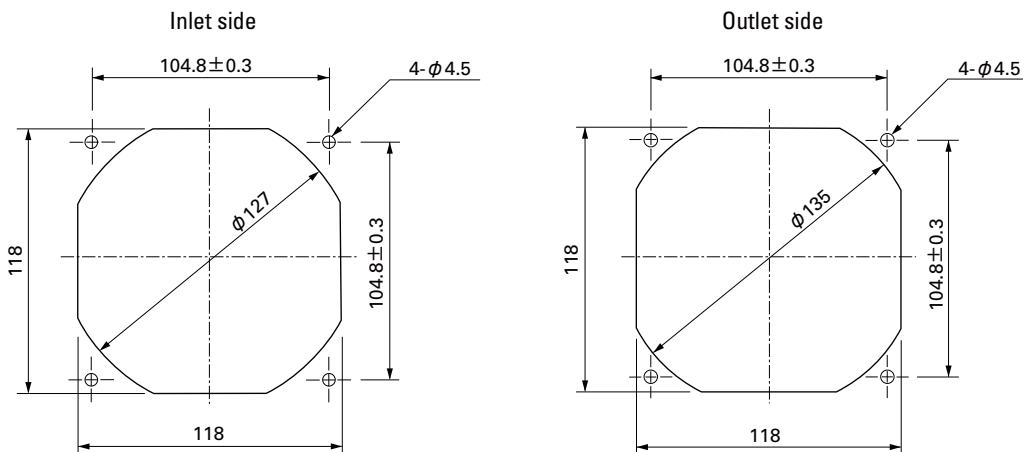
Model No.	Rated Voltage [V]	Operating Voltage Range [V]	Rated Current [A]	Rated Input [W]	Rated Speed [min ⁻¹]	Max. Airflow [m ³ /min] [CFM]	Max. Static Pressure [Pa] [inchH ₂ O]	SPL [dB(A)]	Operating Temperature [°C]	Expected Life [h]
9SG1212G101	12	10.2 to 13.8	4.0	48.0	6,000	7.35 260	340 1.37	64	- 20 to +70	40,000/60°C
9SG1224G101	24	20.4 to 27.6	2.0	48.0	6,000	7.35 260	340 1.37	64		
9SG1224H101			0.46	11.0	3,400	4.02 142	126 0.51	48		
9SG1248G101	48	40.8 to 55.2	1.0	48.0	6,000	7.35 260	340 1.37	64		

Other sensor specifications are available as options. Please refer to the index (p. 510).

Dimensions (unit: mm)



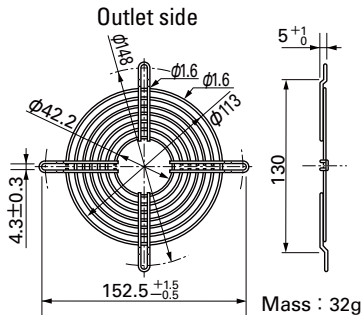
Reference Dimensions of Mounting Holes and Vent Opening (unit: mm)



Options (unit: mm)

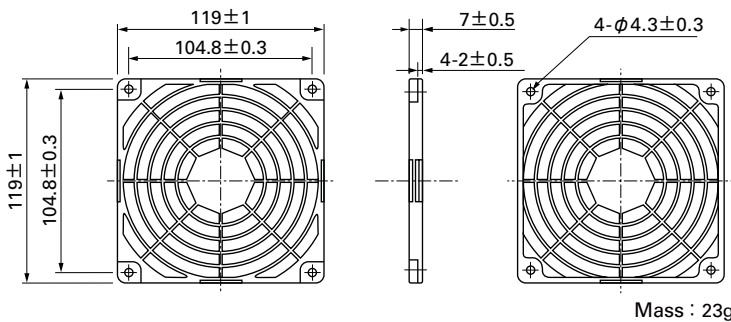
Finger Guards

Model : 109-019C Surface treatment : Nickel-chrome plating (silver)
 : 109-019H : Cation electropainting (black)

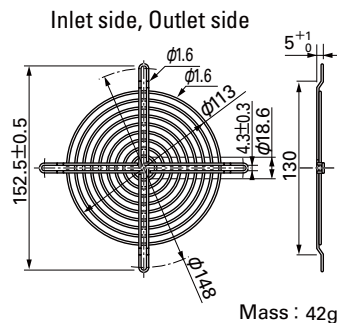


Resin Finger Guards

Model : 109-1000G

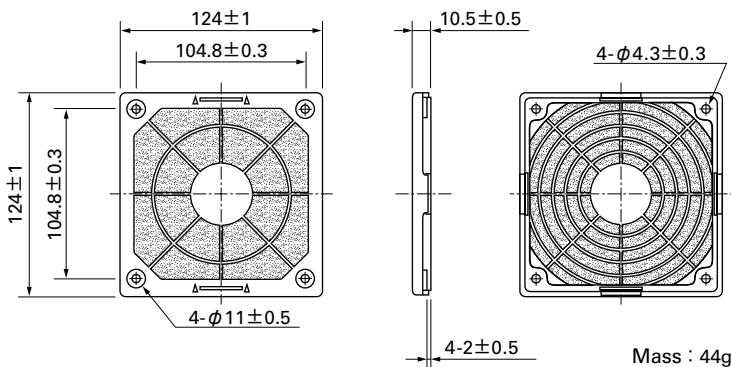


Model : 109-019E Surface treatment : Nickel-chrome plating (silver)
 : 109-019K : Cation electropainting (black)

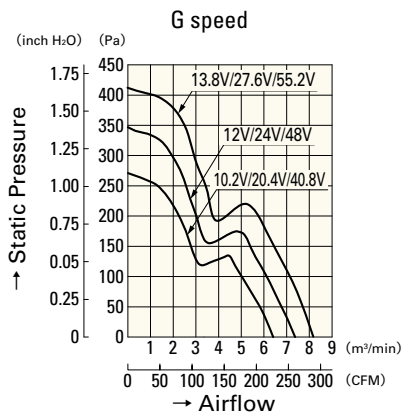


Resin Filter Kits

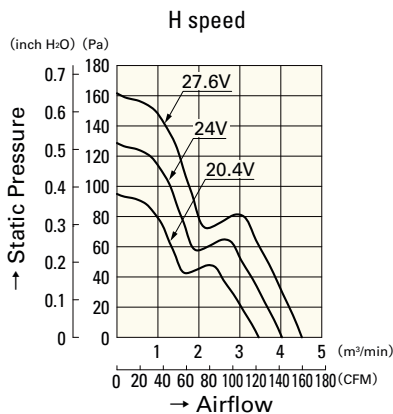
Model : 109-1000F13 (13PPI), 109-1000F20 (20PPI)
 : 109-1000F30 (30PPI), 109-1000F40 (40PPI)



Airflow - Static Pressure Characteristics



9SG1212G101
 9SG1224G101
 9SG1248G101



9SG1224H101

127 mm sq.

San Ace 127



General Specifications

- Material Frame: Plastics (Flammability: UL94V-0),
Impeller: Plastics (Flammability: UL94V-1)
- Expected Life Refer to specifications (L10:Survival rate:90% at 60°C ,
rated voltage, and continuously run in a free air state)
- Lead Wire ⊕red ⊖black or blue (Sensor) yellow
- Storage Temperature -30°C to +70°C (Non-condensing)

127×127×38mm (Mass : 350g) **9P type**

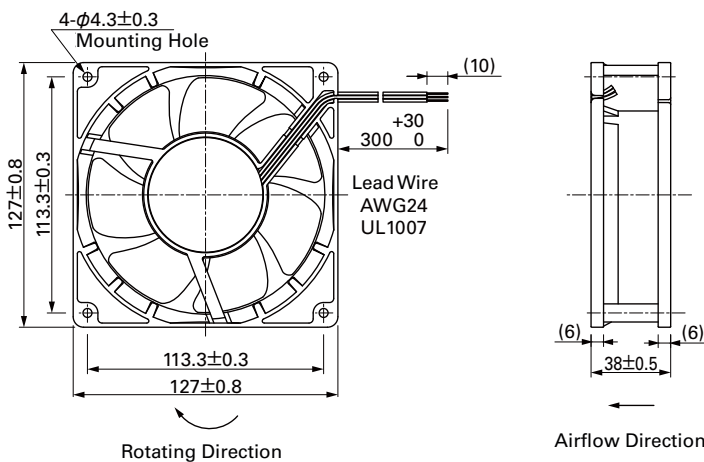
Specifications

The following nos. **have pulse sensors and ribs**. For ribless, append "1" to the model no.

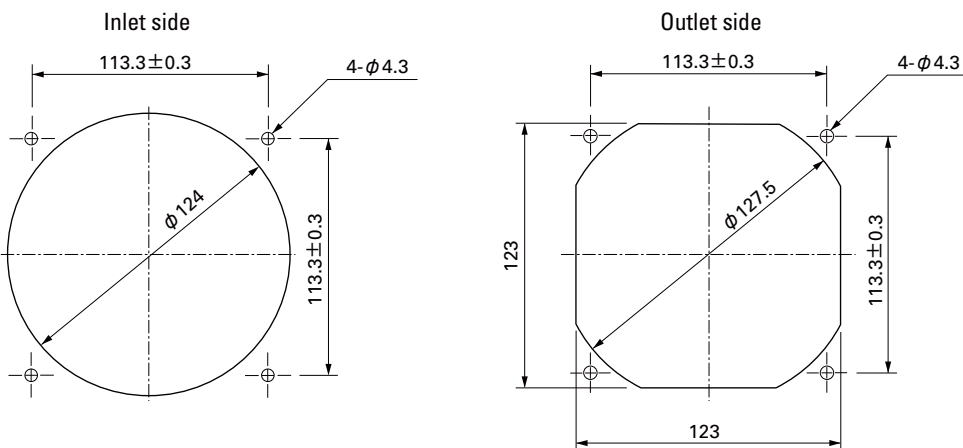
Model No.	Rated Voltage [V]	Operating Voltage Range [V]	Rated Current [A]	Rated Input [W]	Rated Speed [min ⁻¹]	Max. Airflow [m ³ /min] [CFM]	Max. Static Pressure [Pa] [inchH ₂ O]	SPL [dB(A)]	Operating Temperature [°C]	Expected Life [h]
109P1312S101	12	10.2 to 13.8	1.3	15.6	3,300	4.2 148	117.6 0.472	47	-20 to +60	40,000/60°C
109P1312H101			0.82	9.84	2,950	3.8 134	98 0.394	45		
109P1324S101	24	20.4 to 27.6	0.55	13.2	3,300	4.2 148	117.6 0.472	47		
109P1324H101			0.41	9.84	2,950	3.8 134	98 0.394	45		
109P1348S101	48	40.8 to 55.2	0.3	14.4	3,300	4.2 148	117.6 0.472	47		
109P1348H101			0.2	9.6	2,950	3.8 134	98 0.394	45		

Other sensor specifications are available as options. Please refer to the index (p. 498).

Dimensions (unit: mm) (With ribs)



Reference Dimensions of Mounting Holes and Vent Opening (unit: mm)

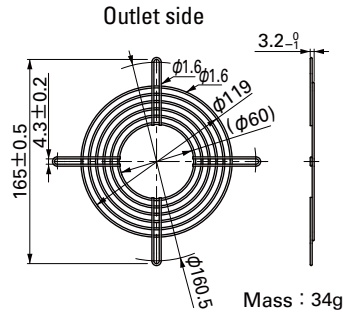
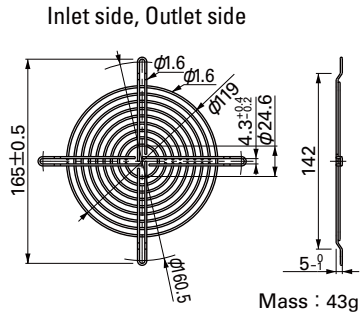


Options (unit: mm)

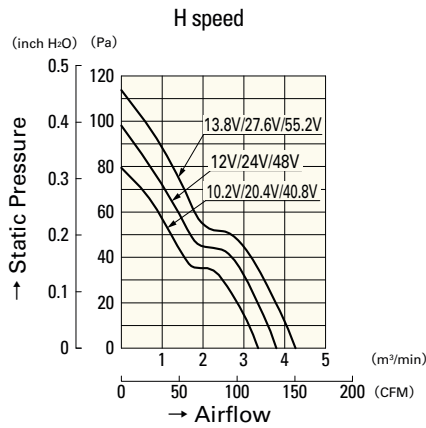
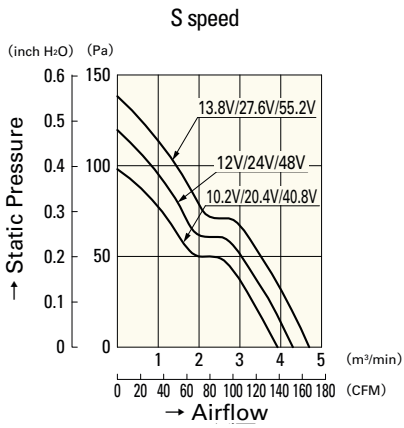
Finger Guards

Model : 109-722 Surface treatment : Nickel-chrome plating (silver) Color (silver)

Model : 109-723 Surface treatment : Nickel-chrome plating (silver) Color (silver)



Airflow - Static Pressure Characteristics



- 109P1312S101
- 109P1324S101
- 109P1348S101

- 109P1312H101
- 109P1324H101
- 109P1348H101

127 mm sq.

San Ace 127



General Specifications

- Material Frame: Aluminum, Impeller: Plastics (Flammability: UL94V-0)
- Expected Life Refer to specifications (L10:Survival rate:90% at 60°C ,
rated voltage, and continuously run in a free air state)
- Lead Wire ⊕red ⊖black or blue (Sensor) yellow
- Storage Temperature -30°C to +70°C (Non-condensing)

127×127×38mm (Mass : 400g) **9E type**

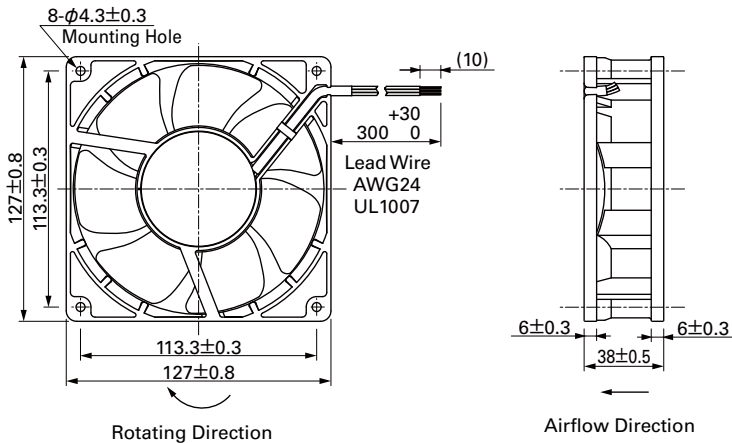
Specifications

The following nos. have pulse sensors.

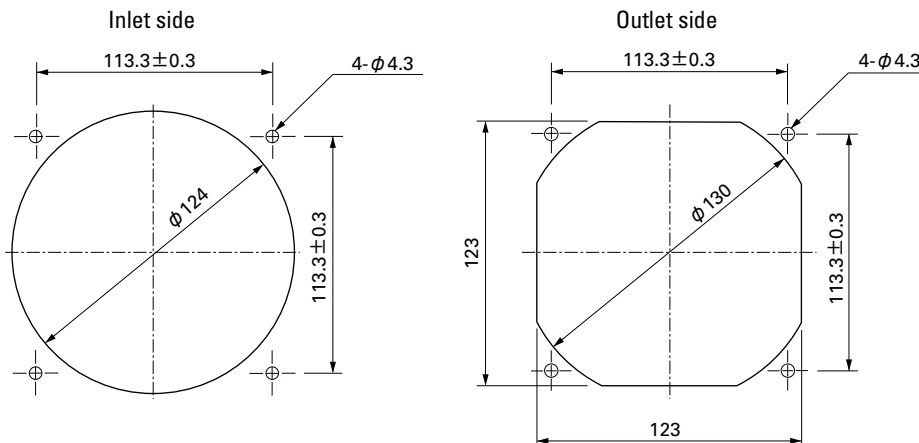
Model No.	Rated Voltage [V]	Operating Voltage Range [V]	Rated Current [A]	Rated Input [W]	Rated Speed [min ⁻¹]	Max. Airflow [m ³ /min] [CFM]	Max. Static Pressure [Pa] [inchH ₂ O]	SPL [dB(A)]	Operating Temperature [°C]	Expected Life [h]
109E1312A101	12	10.2 to 13.8	1.4	16.8	3,850	4.81 170	155 0.622	52	-20 to +70	60,000/60°C
109E1312S101			1.2	14.4	3,450	4.37 154	125 0.502	49		
109E1324G101	24	20.4 to 27.6	1.1	26.4	4,550	5.66 200	216 0.867	57	-20 to +60	40,000/60°C
109E1324A101			0.7	16.8	3,850	4.81 170	155 0.622	52		
109E1324S101			0.53	12.7	3,450	4.37 154	125 0.502	49		
109E1348G101	48	40.8 to 55.2	0.54	25.9	4,550	5.66 200	216 0.867	57	-20 to +60	40,000/60°C
109E1348A101			0.36	17.3	3,850	4.81 170	155 0.622	52		
109E1348S101			0.28	13.4	3,450	4.37 154	125 0.502	49		

Other sensor specifications are available as options. Please refer to the index (p. 495).

Dimensions (unit: mm)



Reference Dimensions of Mounting Holes and Vent Opening (unit: mm)



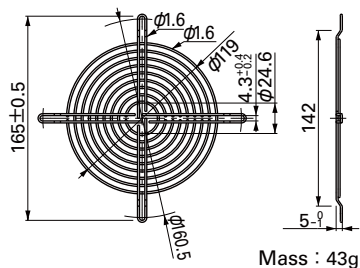
Options (unit: mm)

Finger Guards

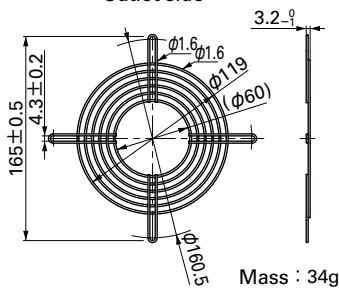
Model : 109-722 Surface treatment : Nickel-chrome plating (silver) Color (silver)

Model : 109-723 Surface treatment : Nickel-chrome plating (silver) Color (silver)

Inlet side, Outlet side

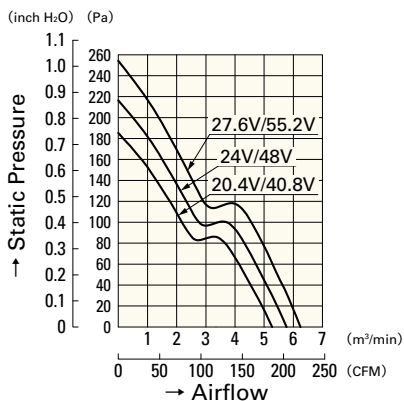


Outlet side



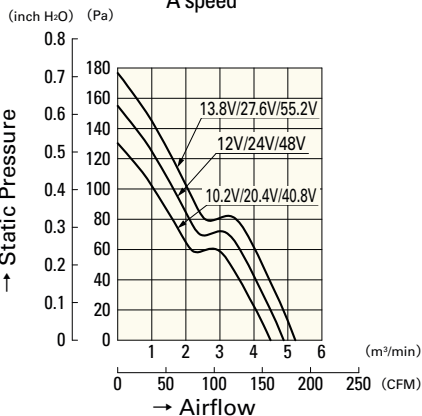
Airflow - Static Pressure Characteristics

G speed



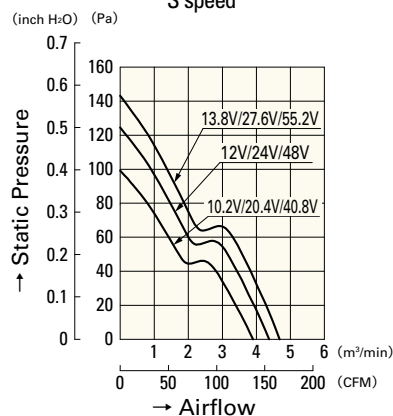
- 109E1324G101**
- 109E1348G101**

A speed



- 109E1312A101**
- 109E1324A101**
- 109E1348A101**

S speed



- 109E1312S101**
- 109E1324S101**
- 109E1348S101**

140mm sq.

San Ace 140



General Specifications

- Material Frame: Aluminum (Flammability: UL94V-1),
Impeller: Plastics (Flammability: UL94V-1)
- Expected Life Refer to specifications (L10:Survival rate:90% at 60°C ,
rated voltage, and continuously run in a free air state)
- Lead Wire ⊕red ⊖black (Sensor) yellow (Control) brown
- Storage Temperature -30°C to +70°C (Non-condensing)

140×140×38mm [Mass : 630g] **9GV type**

Specifications

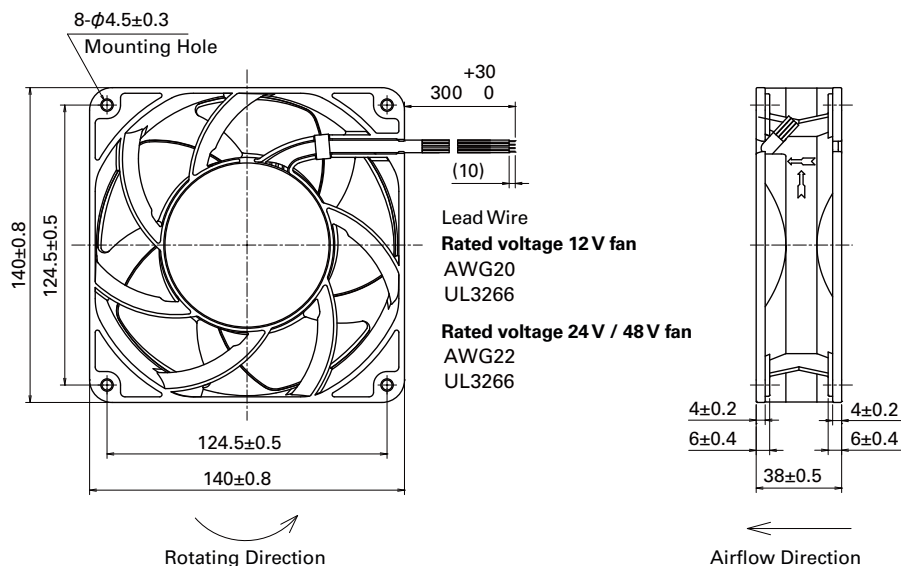
The following nos. **have PWM controls and pulse sensors.**

Model No.	Rated Voltage [V]	Operating Voltage Range [V]	PWM duty cycle ^{Note1)} [%]	Rated Current [A]	Rated Input [W]	Rated Speed [min ⁻¹]	Max. Airflow [m ³ /min] [CFM]	Max. Static Pressure [Pa] [inchH ₂ O]	SPL [dB(A)]	Operating Temperature [°C]	Expected Life [h]
9GV1412P1G001	12	10.8 to 13.2	100	4.6	55.20	7,600	8.80 310	640 2.57	70	-20 to +70	40,000/60°C
			20	0.26	3.12	2,300	2.66 93	80 0.32	39		
9GV1412P1S001			100	3.1	37.20	6,650	7.70 272	480 1.93	67		
			20	0.26	3.12	2,300	2.66 93	80 0.32	39		
9GV1412P1H001			100	1.7	20.40	5,200	6.00 212	300 1.20	62		
			20	0.26	3.12	2,300	2.66 93	80 0.32	39		
9GV1424P1G001	24	21.6 to 26.4	100	2.3	55.20	7,600	8.80 310	640 2.57	70		
			20	0.13	3.12	2,300	2.66 93	80 0.32	39		
9GV1424P1S001			100	1.55	37.20	6,650	7.70 272	480 1.93	67		
			20	0.13	3.12	2,300	2.66 93	80 0.32	39		
9GV1424P1H001			100	0.85	20.40	5,200	6.00 212	300 1.20	62		
			20	0.13	3.12	2,300	2.66 93	80 0.32	39		
9GV1448P1G001	48	36 to 60	100	1.15	55.20	7,600	8.80 310	640 2.57	70		
			20	0.11	5.28	2,300	2.66 93	80 0.32	39		
9GV1448P1S001			100	0.78	37.44	6,650	7.70 272	480 1.93	67		
			20	0.11	5.28	2,300	2.66 93	80 0.32	39		
9GV1448P1H001			100	0.42	20.16	5,200	6.00 212	300 1.20	62		
			20	0.11	5.28	2,300	2.66 93	80 0.32	39		

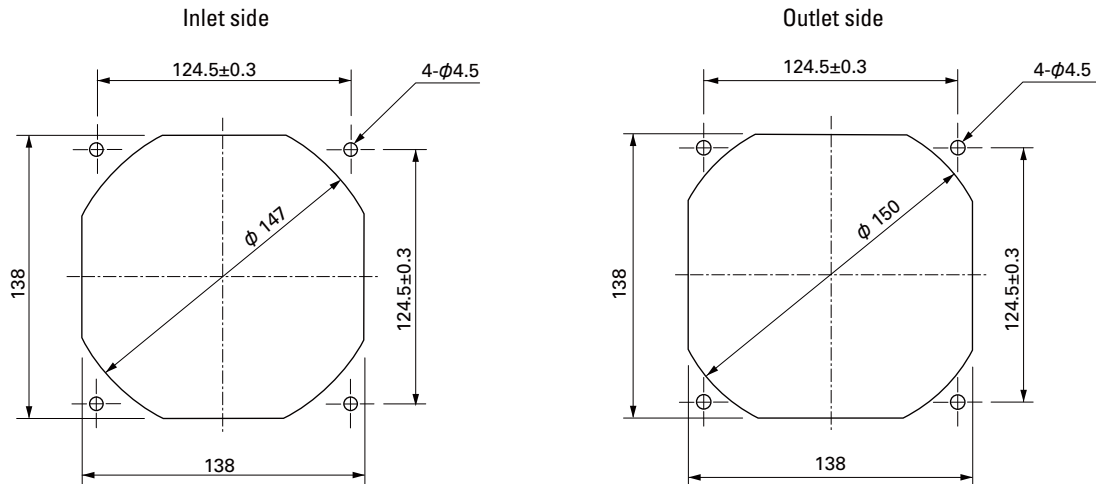
Note: Fan does not rotate when PWM duty cycle is 0%.

※PWM Frequency : 25kHz

Dimensions (unit: mm)



Reference Dimensions of Mounting Holes and Vent Opening (unit: mm)



Options (unit: mm)

Finger Guards

Model : 109-719

Surface treatment : Nickel-chrome plating

Color

(silver)

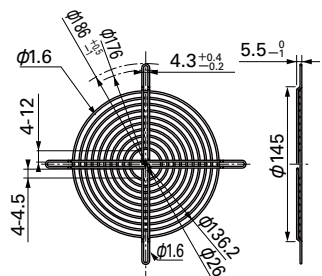
Model : 109-719H

Surface treatment : Cation electropainting

Color

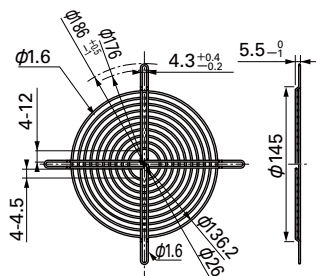
(black)

Inlet side, Outlet side



Mass : 51g

Inlet side, Outlet side



Mass : 51g

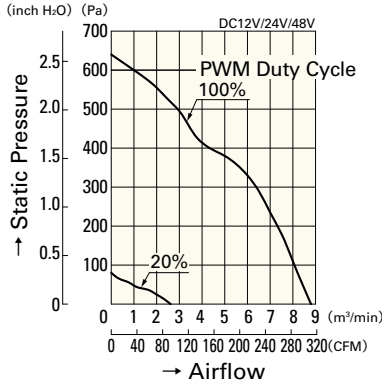
140mm sq.

San Ace 140

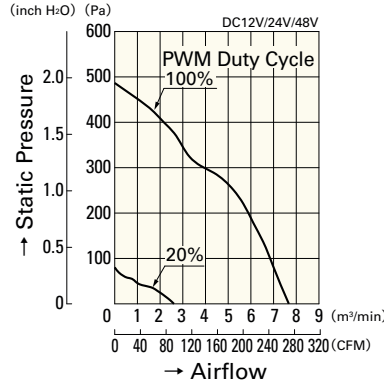
140×140×38mm [Mass : 630g]

Airflow - Static Pressure Characteristics

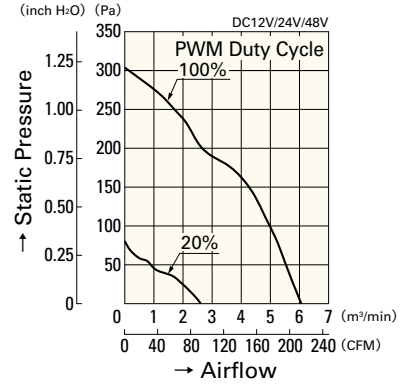
PWM Duty Cycle



9GV1412P1G001
9GV1424P1G001
9GV1448P1G001

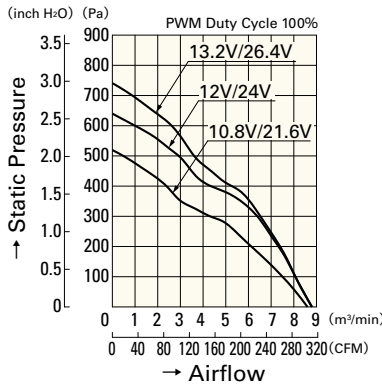


9GV1412P1S001
9GV1424P1S001
9GV1448P1S001

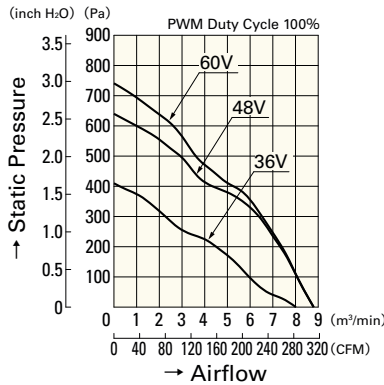


9GV1412P1H001
9GV1424P1H001
9GV1448P1H001

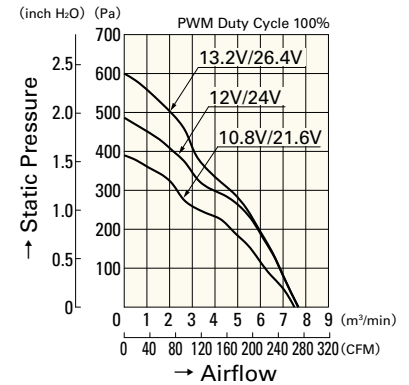
Operating Voltage Range



9GV1412P1G001
9GV1424P1G001

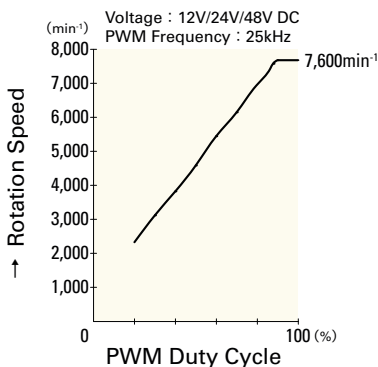


9GV1448P1G001

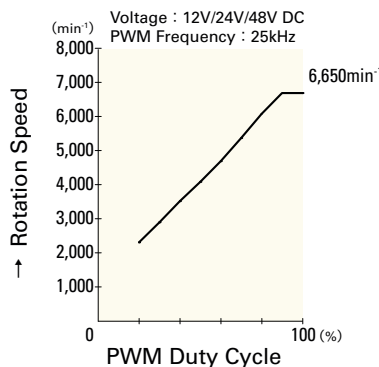


9GV1412P1S001
9GV1424P1S001

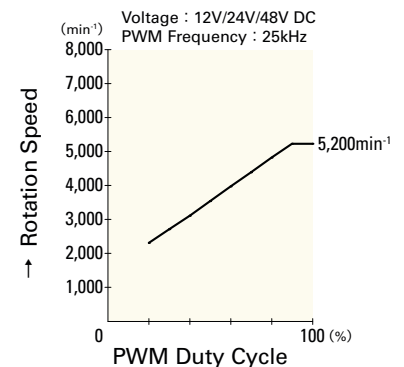
PWM Duty - Speed Characteristics Example



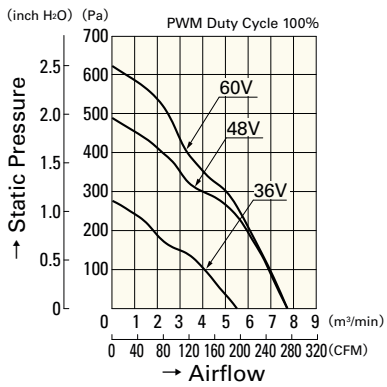
9GV1412P1G001
9GV1424P1G001
9GV1448P1G001



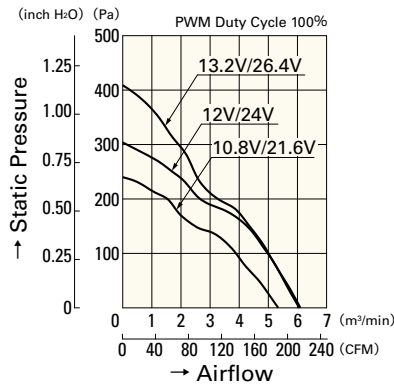
9GV1412P1S001
9GV1424P1S001
9GV1448P1S001



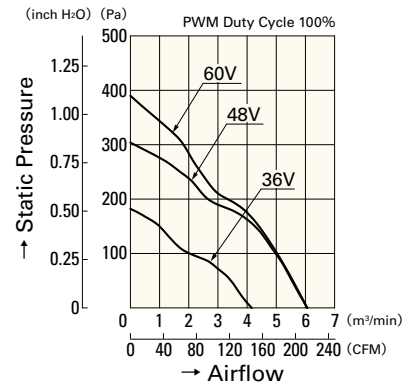
9GV1412P1H001
9GV1424P1H001
9GV1448P1H001



9GV1448P1S001



9GV1412P1H001
9GV1424P1H001



9GV1448P1H001

140mm sq.

San Ace 140



General Specifications

- Material Frame: Plastics (Flammability: UL94V-0),
Impeller: Plastics (Flammability: UL94V-1)
- Expected Life Refer to specifications (L10:Survival rate:90% at 60°C ,
rated voltage, and continuously run in a free air state)
- Lead Wire ⊕red ⊖black or blue (Sensor) yellow
- Storage Temperature -30°C to +70°C (Non-condensing)

140×140×38mm (Mass : 450g) **9P type**

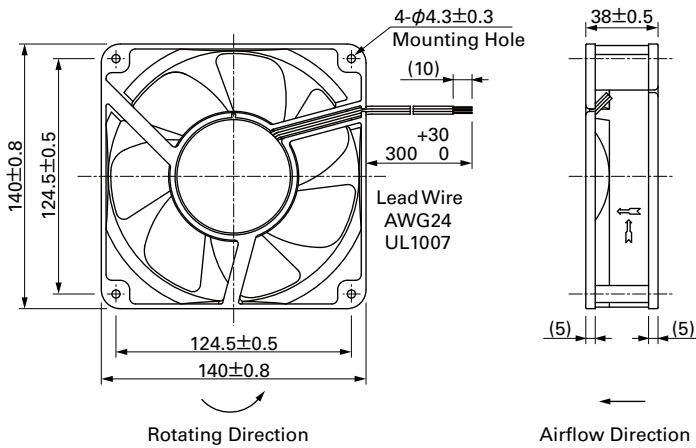
Specifications

The following nos. have pulse sensors and ribs.

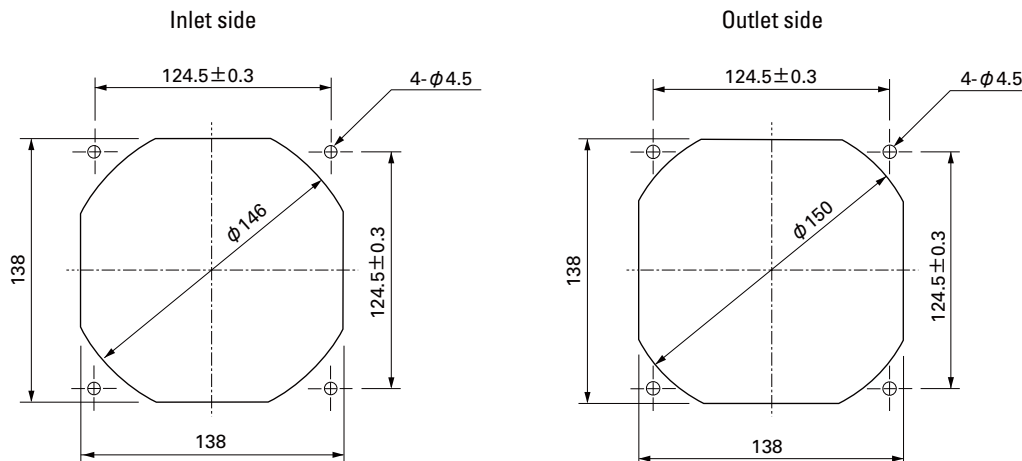
Model No.	Rated Voltage [V]	Operating Voltage Range [V]	Rated Current [A]	Rated Input [W]	Rated Speed [min ⁻¹]	Max. Airflow [m ³ /min] [CFM]	Max. Static Pressure [Pa] [inchH ₂ O]	SPL [dB(A)]	Operating Temperature [°C]	Expected Life [h]
109P1412H101	12	10.2 to 13.8	0.73	8.76	2,600	4.5 159	94 0.378	46	-20 to +70	40,000/60°C
109P1412M101			0.33	3.96	1,900	3.3 117	52 0.209	38		
109P1424H101	24	20.4 to 27.6	0.37	8.88	2,600	4.5 159	94 0.378	46		
109P1424M101			0.16	3.84	1,900	3.3 117	52 0.209	38		
109P1448H101	48	40.8 to 55.2	0.2	9.6	2,600	4.5 159	94 0.378	46		
109P1448M101			0.09	4.32	1,900	3.3 117	52 0.209	38		

Other sensor specifications are available as options. Please refer to the index (p. 498).

Dimensions (unit: mm)



Reference Dimensions of Mounting Holes and Vent Opening (unit: mm)



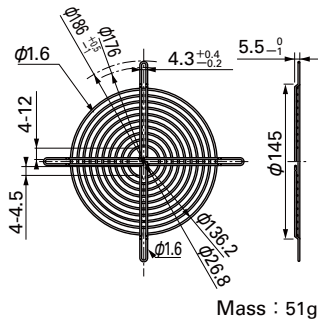
Options (unit: mm)

Finger Guards

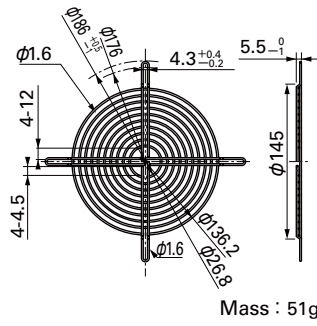
Model : 109-719 Surface treatment : Nickel-chrome plating Color (silver)

Model : 109-719H Surface treatment : Cation electropainting Color (black)

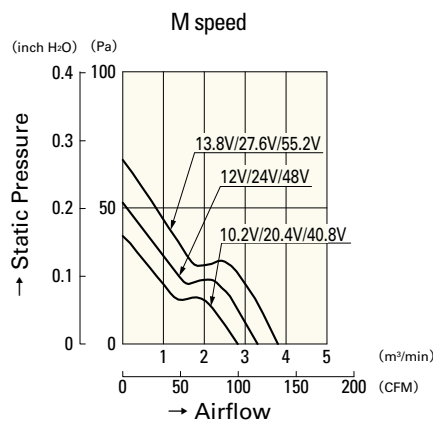
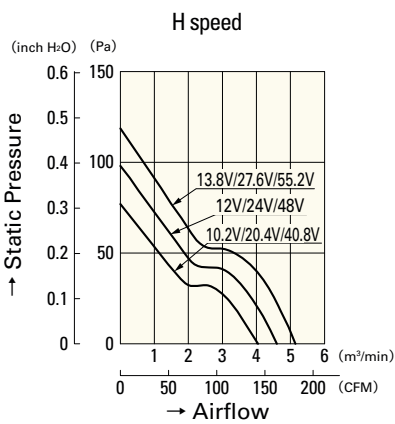
Inlet side, Outlet side



Inlet side, Outlet side



Airflow - Static Pressure Characteristics



- 109P1412H101
- 109P1424H101
- 109P1448H101

- 109P1412M101
- 109P1424M101
- 109P1448M101

150 mm sq.

San Ace 150



General Specifications

- Material Frame: Plastics (Flammability: UL94V-0),
Impeller: Plastics (Flammability: UL94V-1)
- Expected Life Refer to specifications (L10:Survival rate:90% at 60°C ,
rated voltage, and continuously run in a free air state)
- Lead Wire ⊕red ⊖black or blue (Sensor) yellow
- Storage Temperature -30°C to +70°C (Non-condensing)

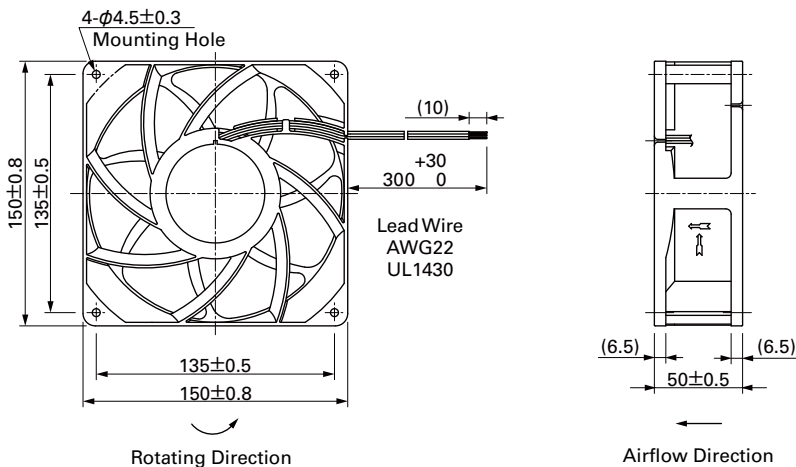
150×150×50mm (Mass : 450g) **9GV type**

Specifications The following nos. **have pulse sensors and ribs.** For ribless, append "1" to the model no.

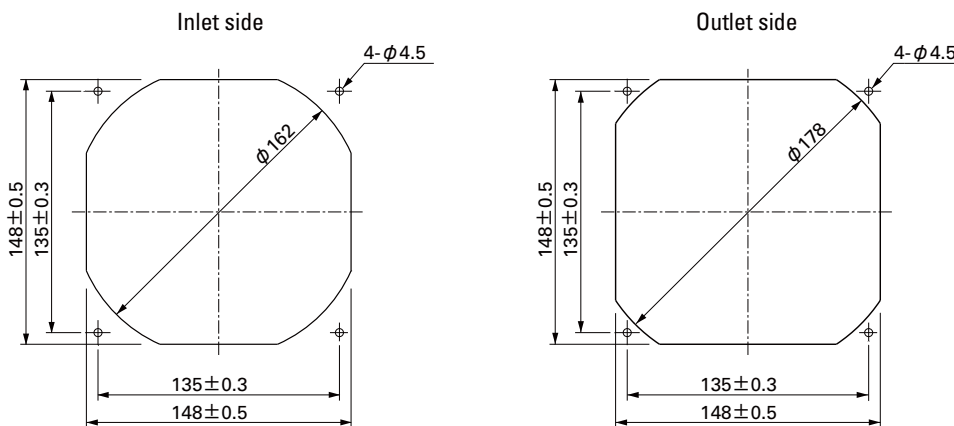
Model No.	Rated Voltage [V]	Operating Voltage Range [V]	Rated Current [A]	Rated Input [W]	Rated Speed [min ⁻¹]	Max. Airflow [m ³ /min] [CFM]	Max. Static Pressure [Pa] [inchH ₂ O]	SPL [dB(A)]	Operating Temperature [°C]	Expected Life [h]
9GV1512H501	12	10.2 to 13.8	2.9	34.8	3,900	8.54 300	210 0.84	61	-20 to +70	40,000/60°C
9GV1512M501			1.2	14.4	3,000	6.35 224	132 0.53	53		
9GV1524M501	24	20.4 to 27.6	0.6	14.4	3,000	6.35 224	132 0.53	53		

Other sensor specifications are available as options. Please refer to the index (p. 508).

Dimensions (unit: mm) (With ribs)



Reference Dimensions of Mounting Holes and Vent Opening (unit: mm)



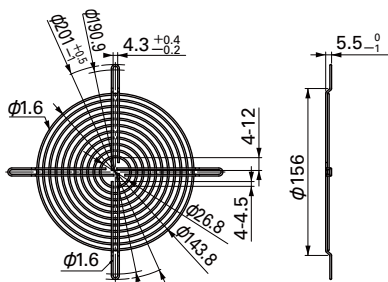
Options (unit: mm)

Finger Guards

Model : 109-1051 Surface treatment : Nickel-chrome plating (silver) Color

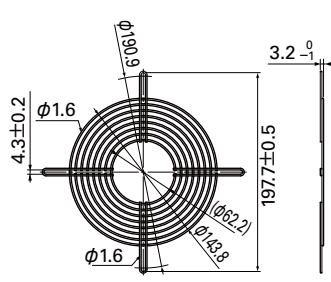
Model : 109-1052 Surface treatment : Nickel-chrome plating (silver) Color

Inlet side, Outlet side



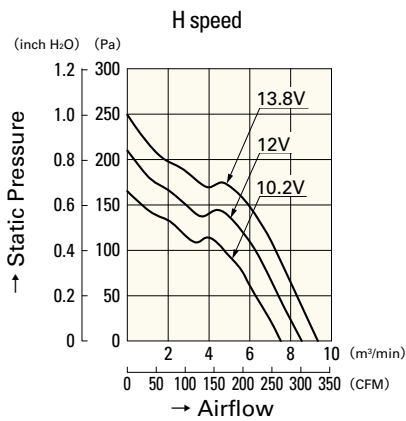
Mass : 63g

Outlet side

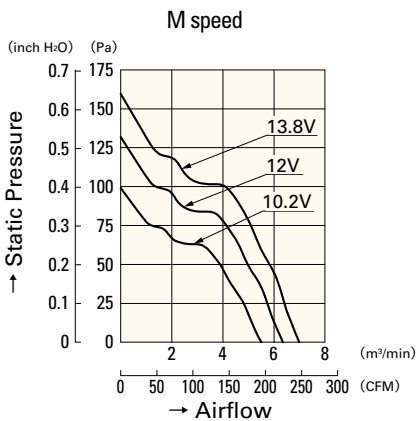


Mass : 53g

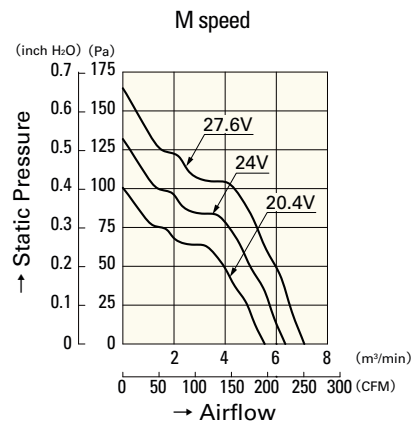
Airflow - Static Pressure Characteristics



9GV1512H501



9GV1512M501



9GV1524M501

φ172mm

San Ace 172



General Specifications

- Material Frame: Aluminum, Impeller: Plastics (Flammability: UL94V-1)
- Expected Life Refer to specifications (L10:Survival rate:90% at 60°C , rated voltage, and continuously run in a free air state)
- Lead Wire ⊕red ⊖black or blue (Sensor) yellow
- Storage Temperature -30°C to +70°C (Non-condensing)

φ172mm × 147mm × 25mm (Mass : 500g) **9E type Sidecut type**

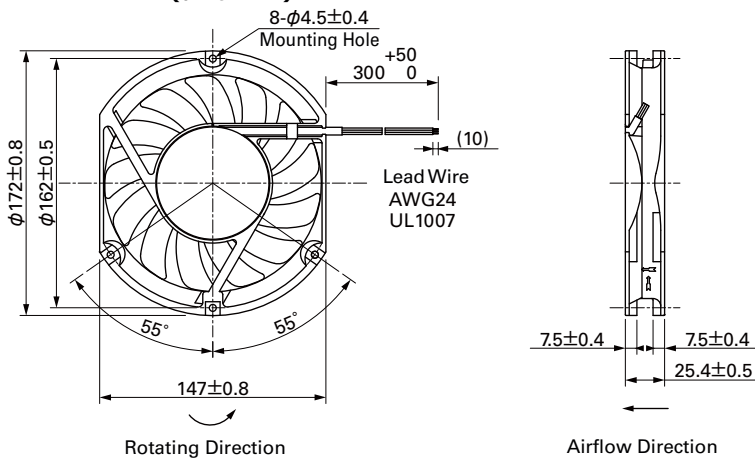
Specifications

The following nos. have pulse sensors.

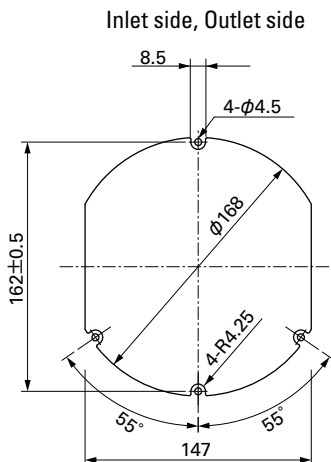
Model No.	Rated Voltage [V]	Operating Voltage Range [V]	Rated Current [A]	Rated Input [W]	Rated Speed [min ⁻¹]	Max. Airflow [m ³ /min] [CFM]	Max. Static Pressure [Pa] [inchH ₂ O]	SPL [dB(A)]	Operating Temperature [°C]	Expected Life [h]
109E4712M401	12	10.2 to 13.8	1.3	15.6	2,800	5.2 183	92 0.369	51	-20 to +60	40,000/60°C
109E4712L401			1.0	12.0	2,500	4.6 162	73 0.293	48		
109E4724H401	24	20.4 to 27.6	1.0	24.0	3,400	6.4 226	135 0.542	57		
109E4724F401			0.79	19.0	3,100	5.8 204	112 0.450	54		
109E4724M401			0.58	13.9	2,800	5.2 183	92 0.369	51		
109E4724L401			0.44	10.6	2,500	4.6 162	73 0.293	48		
109E4748S401	48	40.8 to 55.2	0.62	29.8	3,650	6.8 240	156 0.627	58		
109E4748H401			0.52	25.0	3,400	6.4 226	135 0.542	57		
109E4748F401			0.40	19.2	3,100	5.8 204	112 0.450	54		
109E4748M401			0.32	15.4	2,800	5.2 183	92 0.369	51		
109E4748L401			0.25	12.0	2,500	4.6 162	73 0.293	48		

Other sensor specifications are available as options. Please refer to the index (pp. 495 to 496).

Dimensions (unit: mm)



Reference Dimensions of Mounting Holes and Vent Opening (unit: mm)



Options (unit: mm)

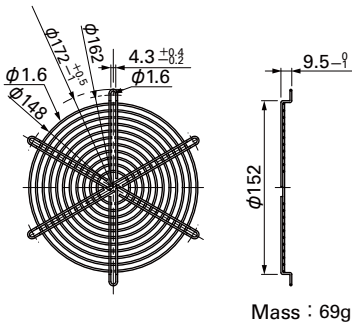
Finger Guards

Model : 109-319E Surface treatment : Nickel-chrome plating (silver)
 : 109-319H : Cation electropainting (black)

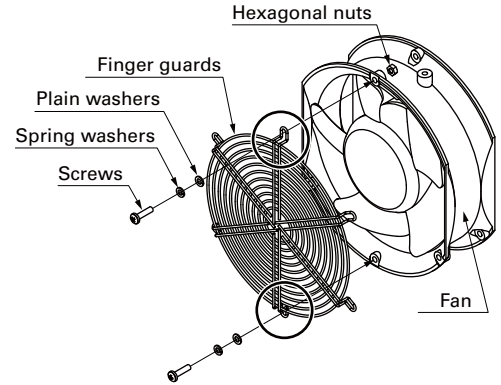
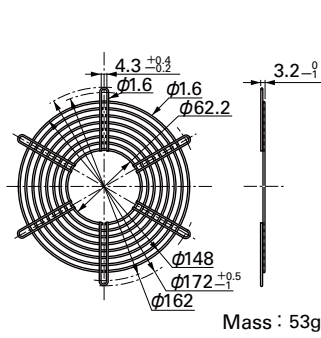
Model : 109-320 Surface treatment : Nickel-chrome plating (silver)

Finger guards 109-319E, 109-319H, and 109-320 should be mounted with two holes as in the drawing and do not use any other holes.

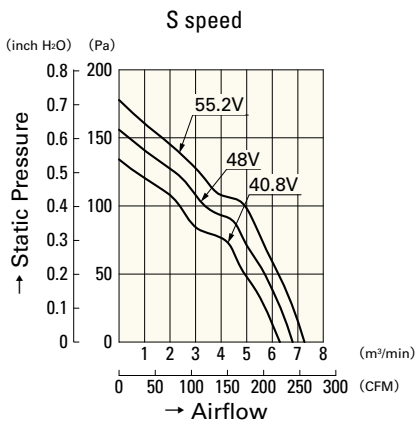
Inlet side, Outlet side



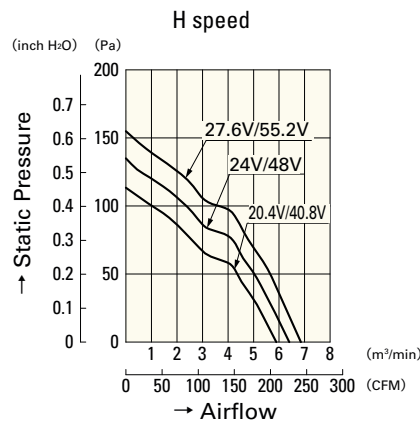
Outlet side



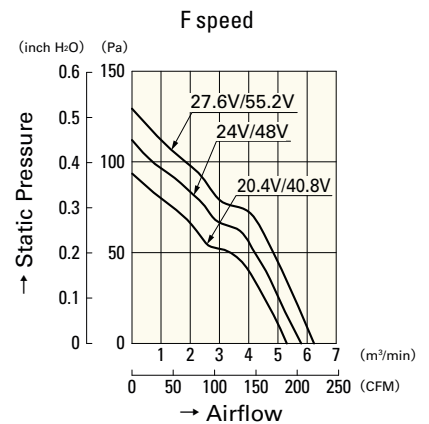
Airflow - Static Pressure Characteristics



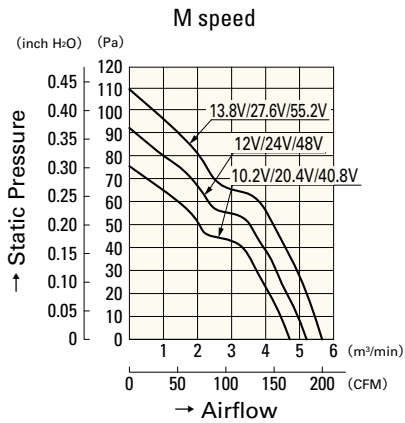
109E4748S401



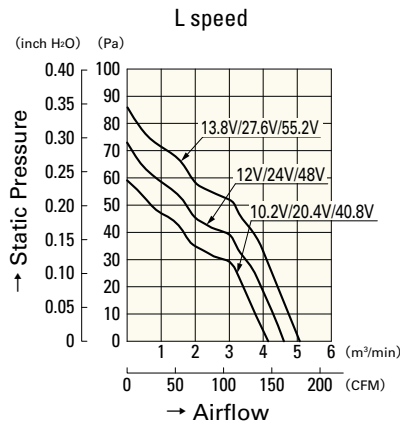
109E4724H401
109E4748H401



109E4724F401
109E4748F401



109E4712M401
109E4724M401
109E4748M401



109E4712L401
109E4724L401
109E4748L401

φ172_{mm}

San Ace 172



General Specifications

- Material Frame: Aluminum, Impeller: Plastics (Flammability: UL94V-1)
- Expected Life Refer to specifications (L10:Survival rate:90% at 60°C ,
rated voltage, and continuously run in a free air state)
- Lead Wire ⊕red ⊖black (Sensor) yellow (Control) brown
- Storage Temperature -30°C to +70°C (Non-condensing)

φ172mm × 150mm × 51mm [Mass : 800g]

9HV type Sidecut type



Specifications

The following nos. **have PWM controls and pulse sensors.**

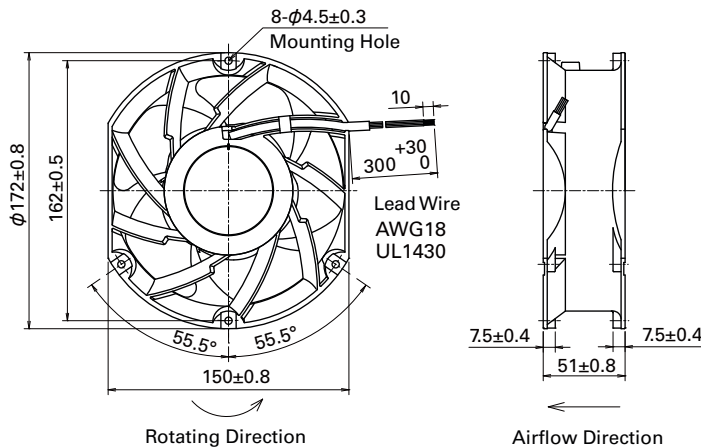
Model No.	Rated Voltage [V]	Operating Voltage Range [V]	PWM duty cycle ^{Note1)} [%]	Rated Current [A]	Rated Input [W]	Rated Speed [min ⁻¹]	Max. Airflow [m ³ /min] [CFM]	Max. Static Pressure [Pa] [inchH ₂ O]	SPL [dB(A)]	Operating Temperature [°C]	Expected Life [h]
9HV5724P5H001	24	16 to 30	100	5.0	120	8,000	12.3 434	1,000 4.02	77	-20 to +70	40,000/60°C (70,000/40°C)
			20	0.50	12.0	3,000	4.60 162	175 0.70	51		
9HV5748P5G001	48	36 to 72	100	5.0	240	10,500	16.1 568	1,600 6.43	83		
			20	0.41	19.7	3,700	5.60 198	250 1.01	57		

Note: Fan does not rotate when PWM duty cycle is 0%.

※PWM Frequency : 25kHz

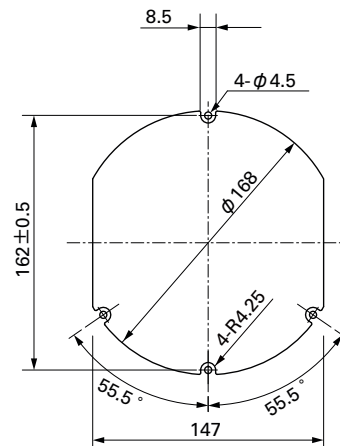
Other sensor specifications are available as options. Please refer to the index (p. 509).

Dimensions (unit: mm)



Reference Dimensions of Mounting Holes and Vent Opening (unit: mm)

Inlet side, Outlet side



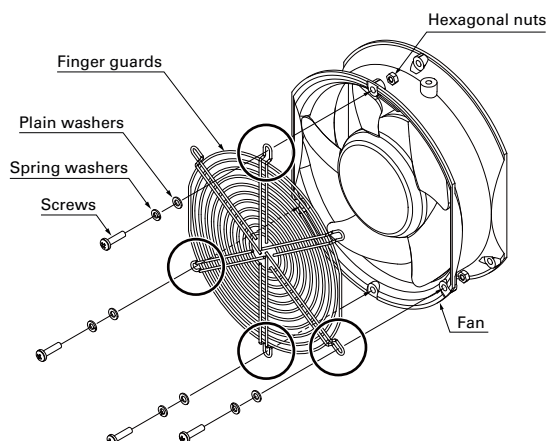
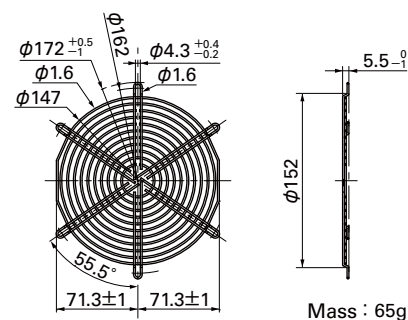
Options (unit: mm)

Finger Guards

Model : 109-319J Color Surface treatment : Nickel-chrome plating (silver)

Finger guard 109-319J should be mounted with four holes as in the drawing.

Inlet side, Outlet side



Options (unit: mm)

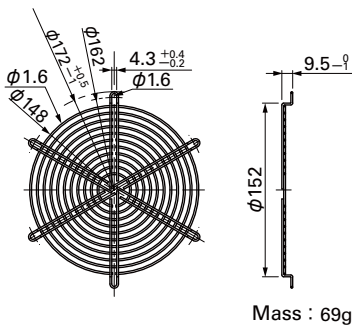
Finger Guards

Model : 109-319E Surface treatment : Nickel-chrome plating (silver)
 : 109-319H : Cation electropainting (black)

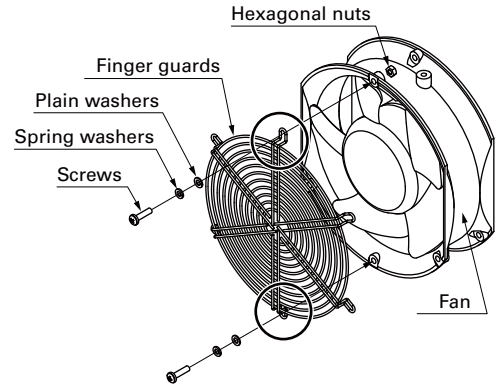
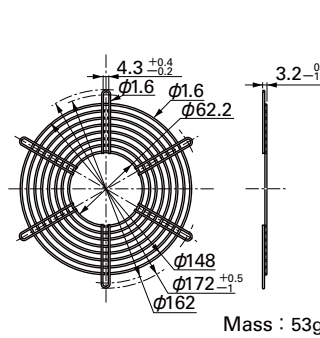
Model : 109-320 Surface treatment : Nickel-chrome plating (silver)

Finger guards 109-319E, 109-319H, and 109-320 should be mounted with two holes as in the drawing and do not use any other holes.

Inlet side, Outlet side

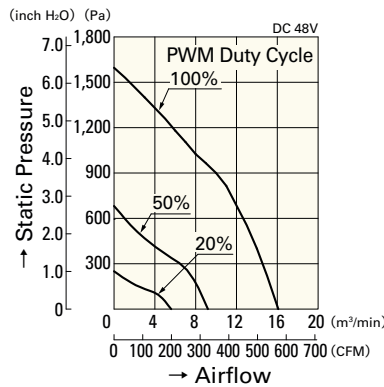
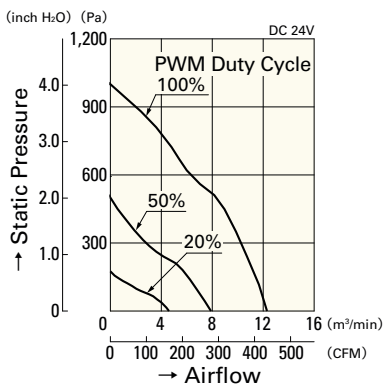


Outlet side



Airflow - Static Pressure Characteristics

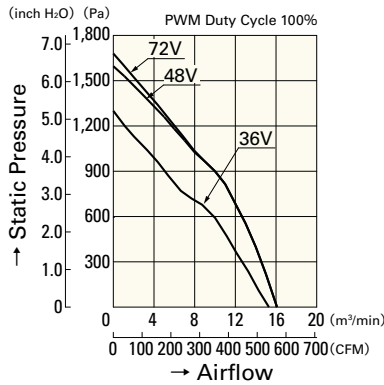
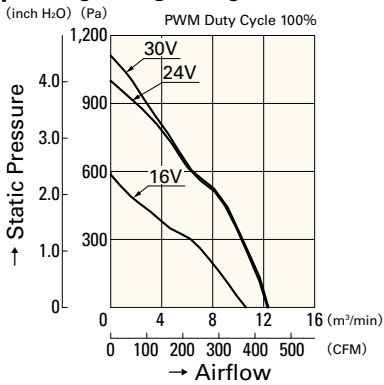
PWM Duty Cycle



9HV5724P5H001

9HV5748P5G001

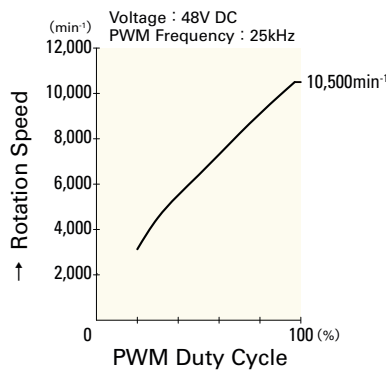
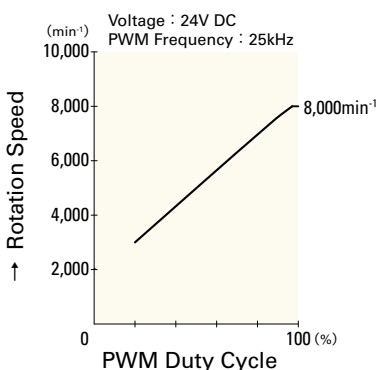
Operating Voltage Range



9HV5724P5H001

9HV5748P5G001

PWM Duty - Speed Characteristics Example



9HV5724P5H001

9HV5748P5G001

φ172mm

San Ace 172



General Specifications

- Material Frame: Aluminum, Impeller: Plastics (Flammability: UL94V-1)
- Expected Life Refer to specifications (L10:Survival rate:90% at 60°C , rated voltage, and continuously run in a free air state)
- Lead Wire ⊕red ⊖black (Sensor) yellow (Control) brown
- Storage Temperature -30°C to +70°C (Non-condensing)

φ172mm × 150mm × 51mm (Mass : 760g)

9SG type Sidecut type



Specifications

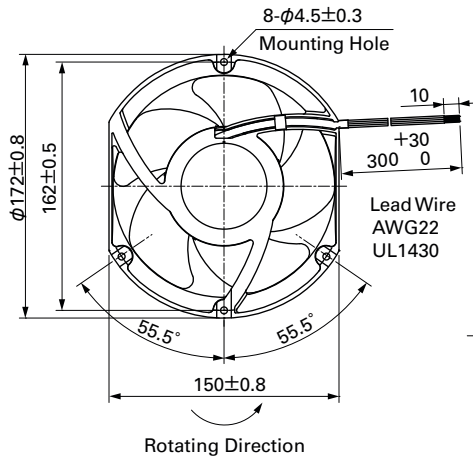
The following nos. have PWM controls and pulse sensors.

Model No.	Rated Voltage [V]	Operating Voltage Range [V]	PWM duty cycle* [%]	Rated Current [A]	Rated Input [W]	Rated Speed [min ⁻¹]	Max. Airflow [m ³ /min] [CFM]	Max. Static Pressure [Pa] [inchH ₂ O]	SPL [dB(A)]	Operating Temperature [°C]	Expected Life [h]
9SG5724P5H61	24	20.4 to 27.6	100	2.8	67.2	6,500	11.6 410	540 2.16	71	-20 to +70	40,000/60°C
			0	0.18	4.32	1,300	2.32 81.9	30 0.12	28		
9SG5748P5G01	48	36 to 72	100	2.91	140	8,600	15.46 546	1,000 4.02	78	-20 to +60	
			0	0.21	10.1	2,000	3.59 127	75.1 0.30	40		
9SG5748P5H01	48	36 to 72	100	1.62	78	6,500	11.60 410	770 3.09	71	-20 to +60	
			0	0.21	10.1	2,000	3.59 127	75.1 0.30	40		

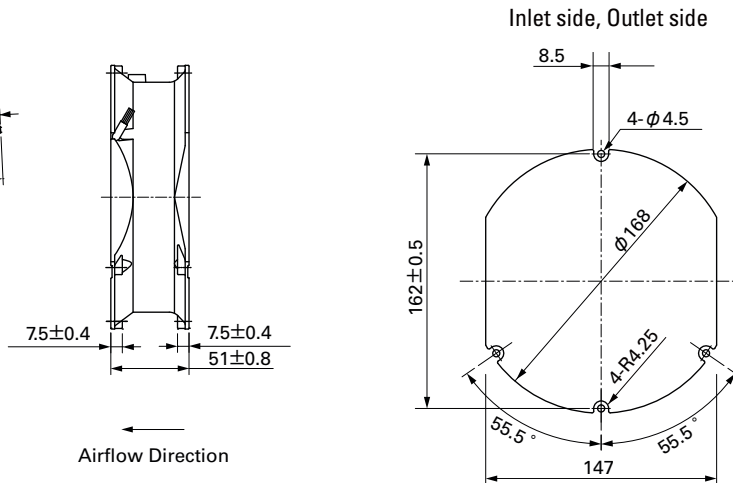
※PWM Frequency : 25kHz

Other sensor specifications are available as options. Please refer to the index (p. 510).

Dimensions (unit: mm)



Reference Dimensions of Mounting Holes and Vent Opening (unit: mm)

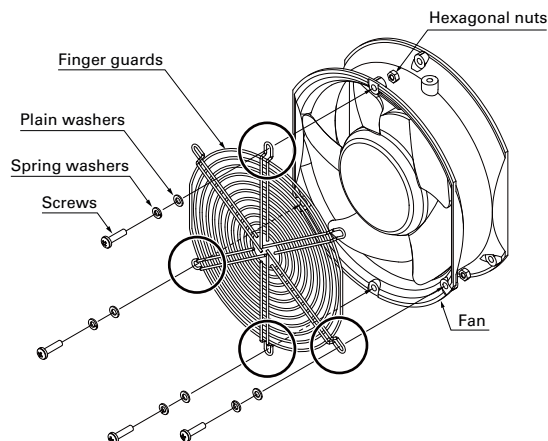
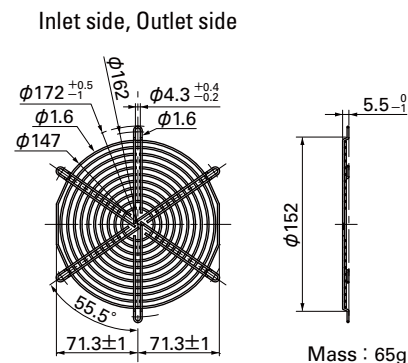


Options (unit: mm)

Finger Guards

Model : 109-319J Color : Nickel-chrome plating (silver)

Finger guard 109-319J should be mounted with four holes as in the drawing.



Options (unit: mm)

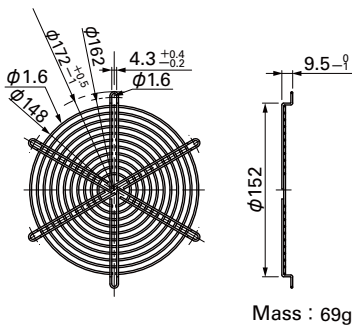
Finger Guards

Model : 109-319E Surface treatment : Nickel-chrome plating (silver)
 : 109-319H : Cation electropainting (black)

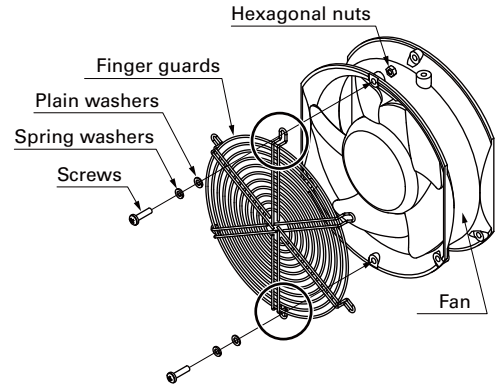
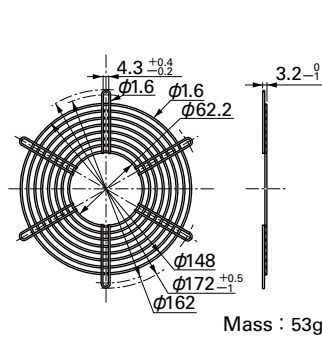
Model : 109-320 Surface treatment : Nickel-chrome plating (silver)

Finger guards 109-319E, 109-319H, and 109-320 should be mounted with two holes as in the drawing and do not use any other holes.

Inlet side, Outlet side

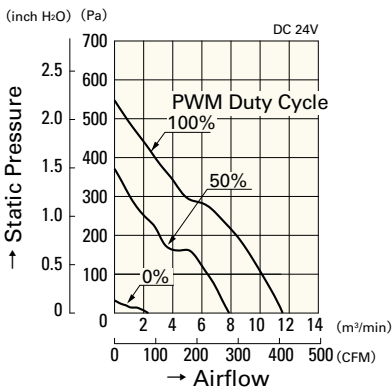


Outlet side

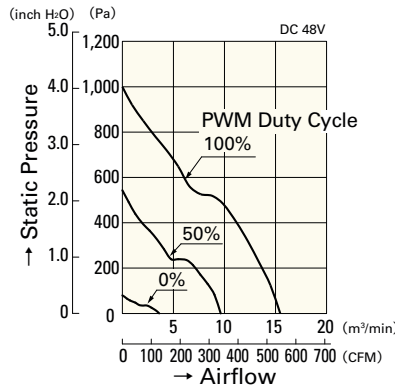


Airflow - Static Pressure Characteristics

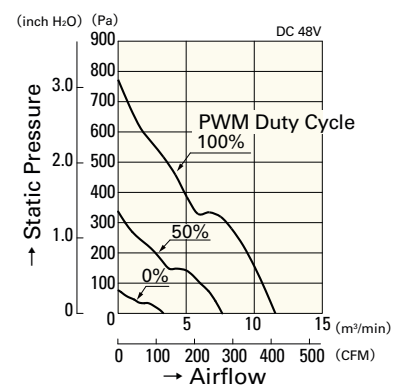
PWM Duty Cycle



9SG5724P5H61

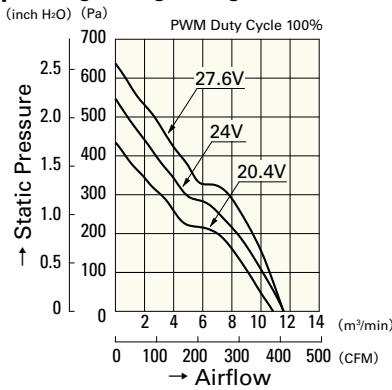


9SG5748P5G01

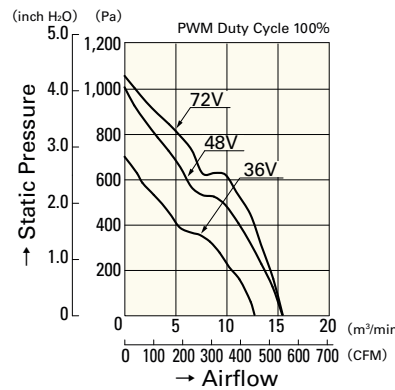


9SG5748P5H01

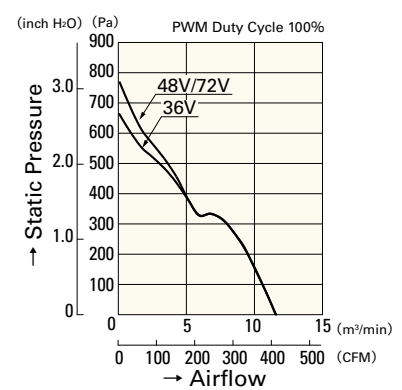
Operating Voltage Range



9SG5724P5H61

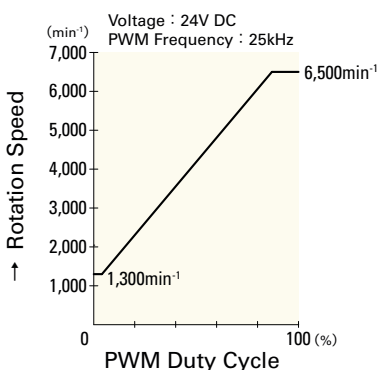


9SG5748P5G01

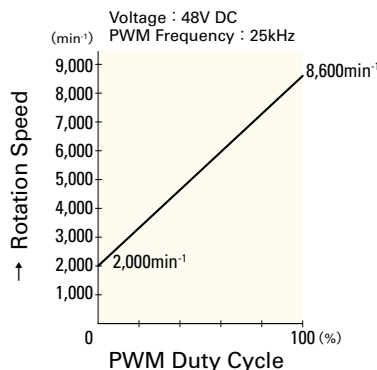


9SG5748P5H01

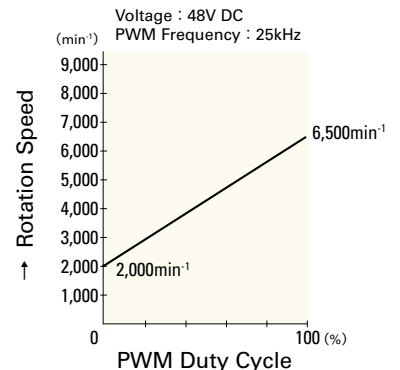
PWM Duty - Speed Characteristics Example



9SG5724P5H61



9SG5748P5G01



9SG5748P5H01

φ172mm

San Ace 172



General Specifications

- Material Frame: Aluminum, Impeller: Plastics (Flammability: UL94V-1)
- Expected Life Refer to specifications (L10:Survival rate:90% at 60°C ,
rated voltage, and continuously run in a free air state)
- Lead Wire ⊕red ⊖black (Sensor) yellow
- Storage Temperature -30°C to +70°C (Non-condensing)

φ172mm × 150mm × 51mm (Mass : 800g)

9GV type Sidecut type



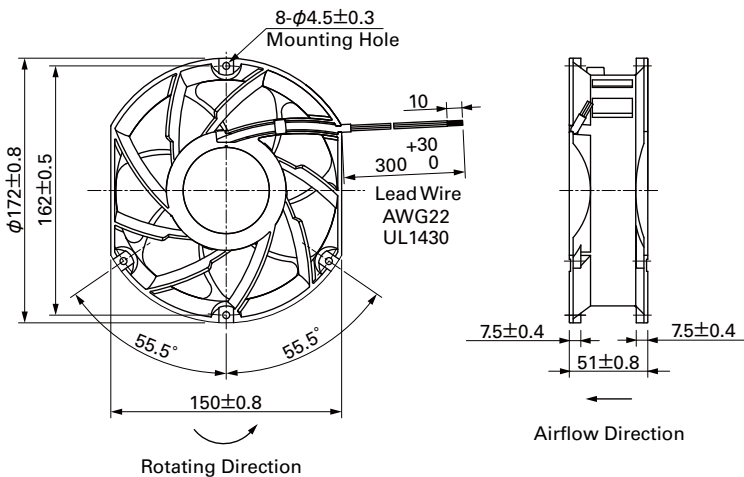
Specifications

The following nos. **have pulse sensors.**

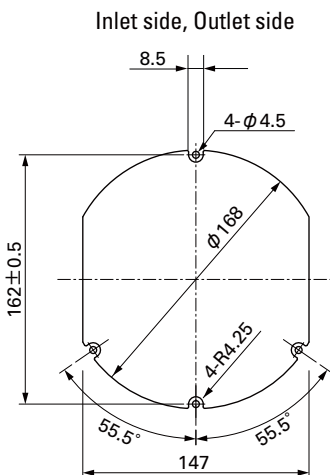
Model No.	Rated Voltage [V]	Operating Voltage Range [V]	Rated Current [A]	Rated Input [W]	Rated Speed [min ⁻¹]	Max. Airflow [m ³ /min] [CFM]	Max. Static Pressure [Pa] [inchH ₂ O]	SPL [dB(A)]	Operating Temperature [°C]	Expected Life [h]
9GV5724H501	24	20.4 to 27.6	4.0	96	6,300	11.32 400	690 2,77	74	- 20 to +70	40,000/60°C
9GV5748H501	48	40.8 to 55.2	2.0	96						

Other sensor specifications are available as options. Please refer to the index (p. 508).

Dimensions (unit: mm)



Reference Dimensions of Mounting Holes and Vent Opening (unit: mm)



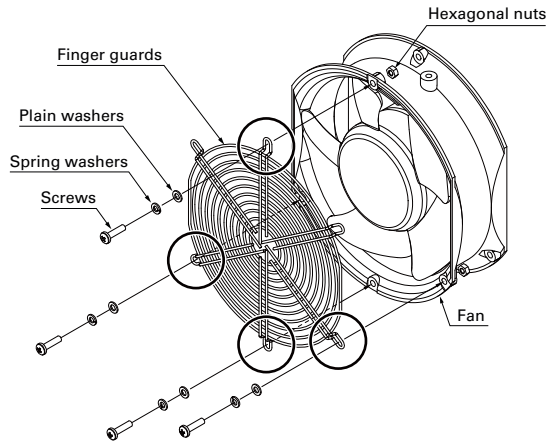
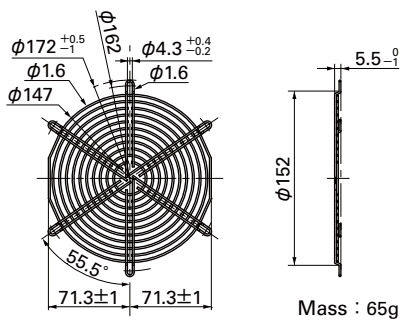
Options (unit: mm)

Finger Guards

Model : 109-319J Color : Nickel-chrome plating (silver)
Surface treatment : Nickel-chrome plating (silver)

Finger guard 109-319J should be mounted with four holes as in the drawing.

Inlet side, Outlet side



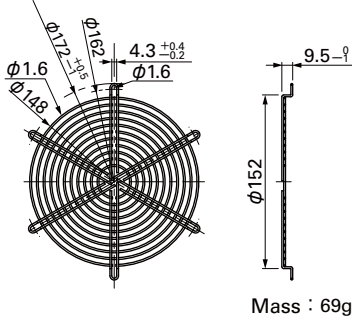
Finger Guards

Model : 109-319E Color : Nickel-chrome plating (silver)
Surface treatment : Nickel-chrome plating (silver)
: 109-319H : Cation electropainting (black)

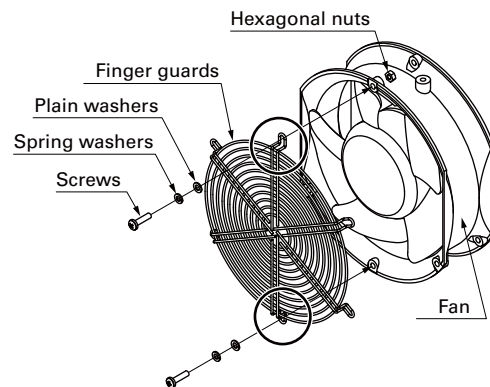
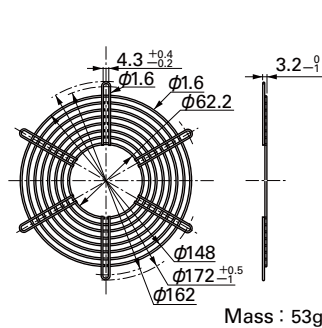
Model : 109-320 Color : Nickel-chrome plating (silver)
Surface treatment : Nickel-chrome plating (silver)

Finger guards 109-319E, 109-319H, and 109-320 should be mounted with two holes as in the drawing and do not use any other holes.

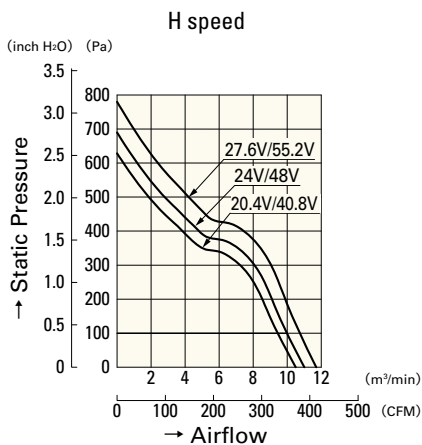
Inlet side, Outlet side



Outlet side



Airflow - Static Pressure Characteristics



9GV5724H501

9GV5748H501

φ172mm

San Ace 172



General Specifications

- Material Frame: Aluminum, Impeller: Plastics (Flammability: UL94V-1)
- Expected Life Refer to specifications (L10:Survival rate:90% at 60°C ,
rated voltage, and continuously run in a free air state)
- Lead Wire ⊕red ⊖black or blue (Sensor) yellow
- Storage Temperature -30°C to +70°C (Non-condensing)

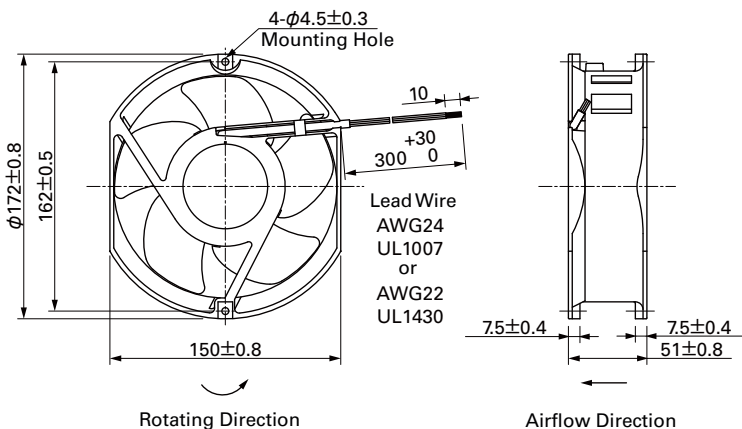
φ172mm × 150mm × 51mm (Mass : 760g) **9E type Sidecut type**

Specifications The following nos. have pulse sensors.

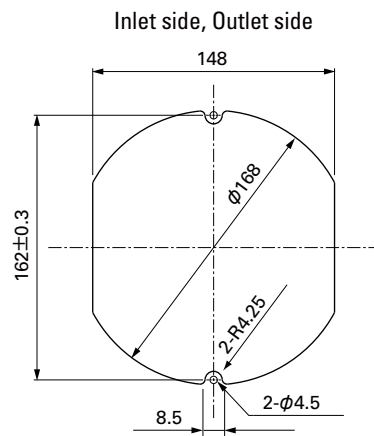
Model No.	Rated Voltage [V]	Operating Voltage Range [V]	Rated Current [A]	Rated Input [W]	Rated Speed [min ⁻¹]	Max. Airflow [m ³ /min] [CFM]	Max. Static Pressure [Pa] [inchH ₂ O]	SPL [dB(A)]	Operating Temperature [°C]	Expected Life [h]
109E5712K501	12	10.2 to 13.8	2.9	34.8	4,100	8.5 300	243.0 0.976	60	-20 to +60	40,000/60°C
109E5712Y501			2.3	27.6	3,800	8 282	210 0.84	60		
109E5712H501			1.2	14.4	3,050	6.4 226	137.2 0.551	52	-20 to +70	
109E5712F501			0.68	8.16	2,500	5.1 180	95 0.38	47		
109E5712M501			0.48	5.76	2,000	4.2 148	67.6 0.271	41		
109E5724C501	24	20.4 to 27.6	2.3	55.2	4,800	9.9 350	308.0 1.237	66	-20 to +70	
109E5724K501			1.3	31.2	4,100	8.5 300	243.0 0.976	60		
109E5724H501			0.58	13.92	3,050	6.4 226	137.2 0.551	52		
109E5724F501			0.35	8.4	2,500	5.1 180	95 0.38	47		
109E5724M501			0.2	4.8	2,000	4.2 148	67.6 0.271	41		
109E5748C501	48	40.8 to 55.2	1.2	57.6	4,800	9.9 350	308.0 1.237	66	-20 to +60	
109E5748K501			0.7	33.6	4,100	8.5 300	243.0 0.976	60		
109E5748H501			0.28	13.44	3,050	6.4 226	137.2 0.551	52	-20 to +70	
109E5748F501			0.19	9.12	2,500	5.1 180	95 0.38	47		
109E5748M501			0.11	5.28	2,000	4.2 148	67.6 0.271	41		

Other sensor specifications are available as options. Please refer to the index (p. 496).

Dimensions (unit: mm)



Reference Dimensions of Mounting Holes and Vent Opening (unit: mm)



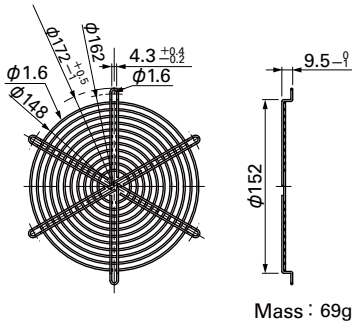
Options (unit: mm)

Finger Guards

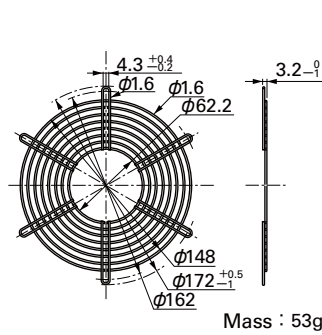
Model : 109-319E Surface treatment : Nickel-chrome plating (silver) Color : 109-319H : Cation electropainting (black)

Model : 109-320 Surface treatment : Nickel-chrome plating (silver) Color

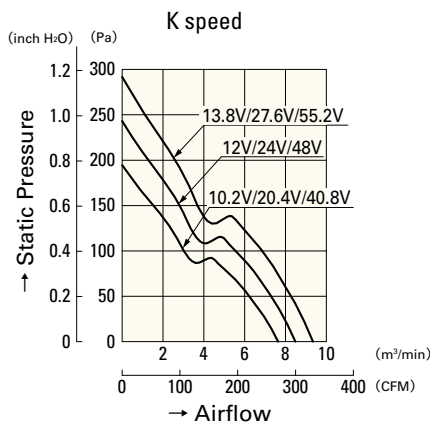
Inlet side, Outlet side



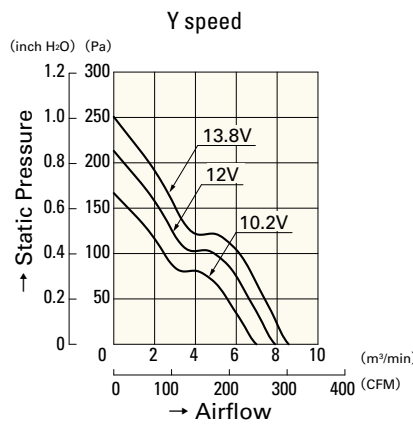
Outlet side



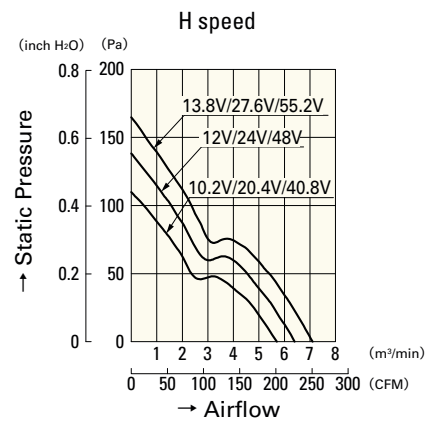
Airflow - Static Pressure Characteristics



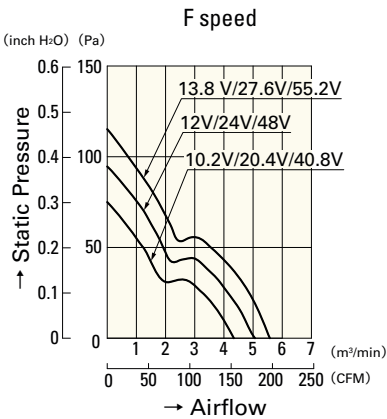
- 109E5712K501
- 109E5724K501
- 109E5748K501



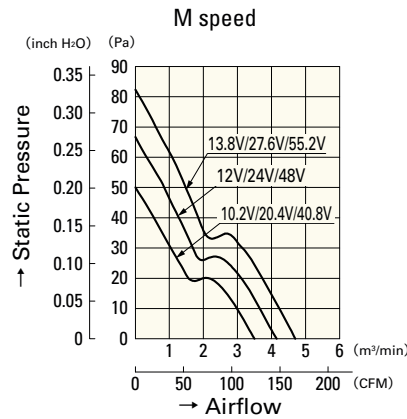
- 109E5712Y501



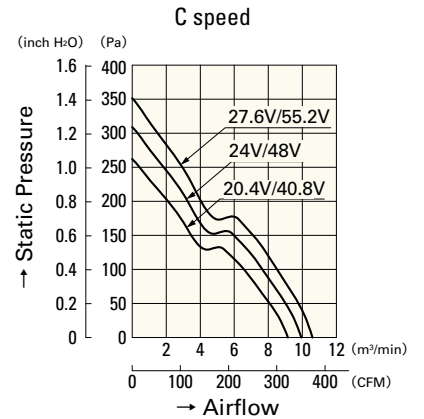
- 109E5712H501
- 109E5724H501
- 109E5748H501



- 109E5712F501
- 109E5724F501
- 109E5748F501



- 109E5712M501
- 109E5724M501
- 109E5748M501



- 109E5724C501
- 109E5748C501

φ172mm

San Ace 172



General Specifications

- Material Frame: Aluminum, Impeller: Plastics (Flammability: UL94V-1)
- Expected Life Refer to specifications (L10:Survival rate:90% at 60°C ,
rated voltage, and continuously run in a free air state)
- Lead Wire ⊕red ⊖black or blue (Sensor) yellow
- Storage Temperature -30°C to +70°C (Non-condensing)

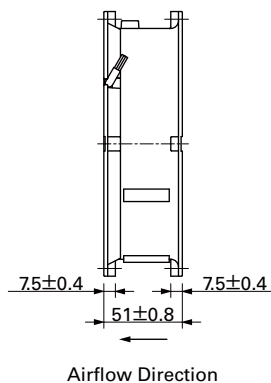
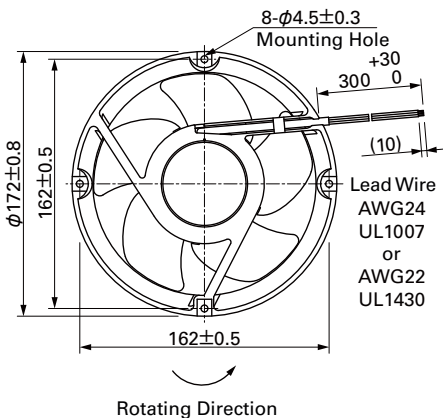
φ172mm×51mm (Mass : 780g) **9E type Round type**

Specifications The following nos. have pulse sensors.

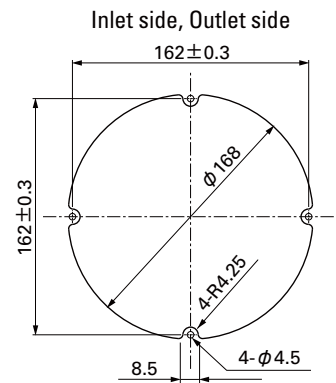
Model No.	Rated Voltage [V]	Operating Voltage Range [V]	Rated Current [A]	Rated Input [W]	Rated Speed [min ⁻¹]	Max. Airflow [m ³ /min] [CFM]	Max. Static Pressure [Pa] [inchH ₂ O]	SPL [dB(A)]	Operating Temperature [°C]	Expected Life [h]
109E1712K501	12	10.2 to 13.8	2.9	34.8	4,100	8.5 300	243.0 0.976	55	-20 to +60	40,000/60°C
109E1712Y501			2.3	27.6	3,800	7.8 276	210.0 0.843	53		
109E1712H501			1.2	14.4	3,050	6.4 226	137.2 0.551	47		
109E1712F501			0.9	10.8	2,500	5.1 180	95.0 0.382	42		
109E1712M501			0.48	5.76	2,000	4.2 148	67.6 0.271	36		
109E1724C501	24	20.4 to 27.6	2.3	55.2	4,800	9.9 350	308.0 1.237	60		
109E1724K501			1.3	31.2	4,100	8.5 300	243.0 0.976	55		
109E1724H501			0.58	13.92	3,050	6.4 226	137.2 0.551	47		
109E1724F501			0.35	8.4	2,500	5.1 180	95 0.382	42		
109E1724M501			0.2	4.8	2,000	4.2 148	67.6 0.271	36		
109E1748C501	48	40.8 to 55.2	1.2	57.6	4,800	9.9 350	308.0 1.237	60	-20 to +60	
109E1748K501			0.7	33.6	4,100	8.5 300	243.0 0.976	55	-20 to +70	
109E1748H501			0.28	13.44	3,050	6.4 226	137.2 0.551	47	-20 to +60	
109E1748F501			0.19	9.12	2,500	5.1 180	95 0.382	42	-20 to +60	
109E1748M501			0.11	5.28	2,000	4.2 148	67.6 0.271	36	-20 to +70	

Other sensor specifications are available as options. Please refer to the index (p. 495).

Dimensions (unit: mm)



Reference Dimensions of Mounting Holes and Vent Opening (unit: mm)

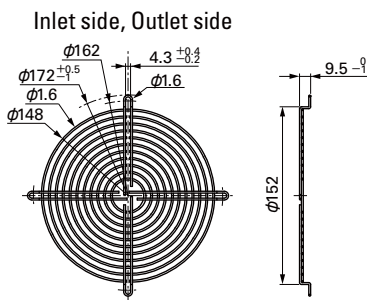


Options (unit: mm)

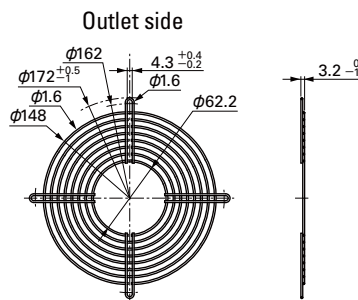
Finger Guards

Model : 109-1066 Surface treatment : Nickel-chrome plating (silver) Color

Model : 109-1068 Surface treatment : Nickel-chrome plating (silver) Color



Mass : 61g



Mass : 54g

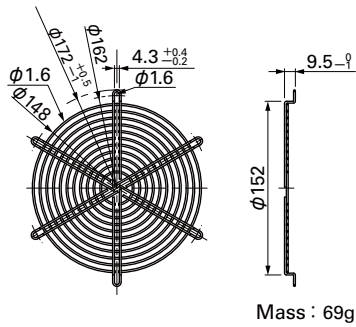
Options (unit: mm)

Finger Guards

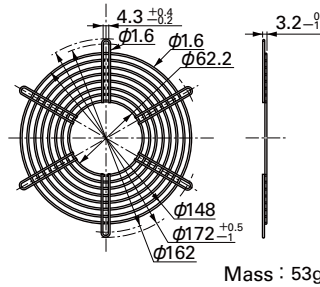
Model : 109-319E Surface treatment : Nickel-chrome plating (silver)
 : 109-319H : Cation electropainting (black)

Model : 109-320 Surface treatment : Nickel-chrome plating (silver)
 Color : Cation electropainting (black)

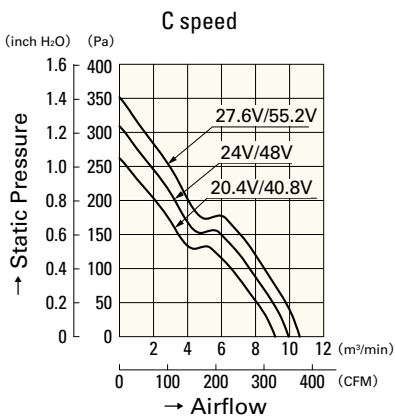
Inlet side, Outlet side



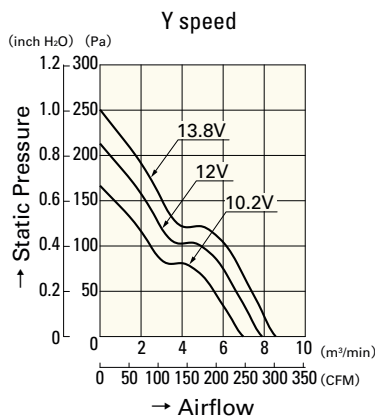
Outlet side



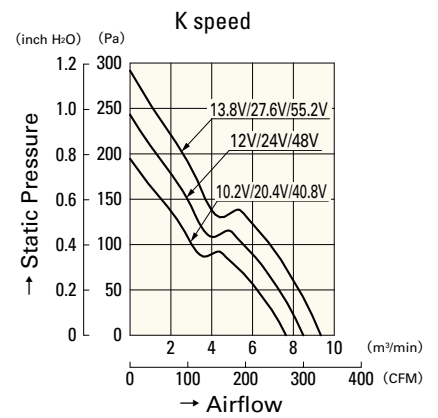
Airflow - Static Pressure Characteristics



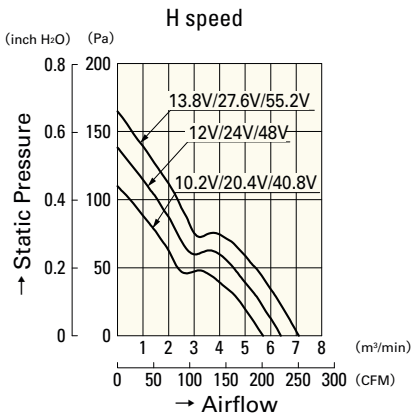
109E1724C501
109E1748C501



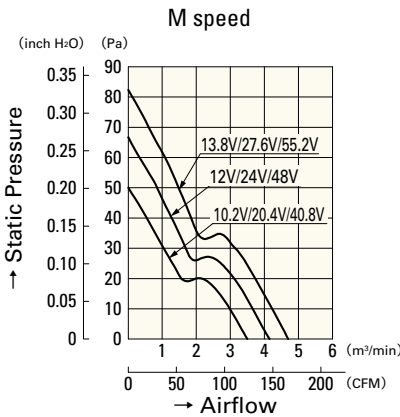
109E1712Y501



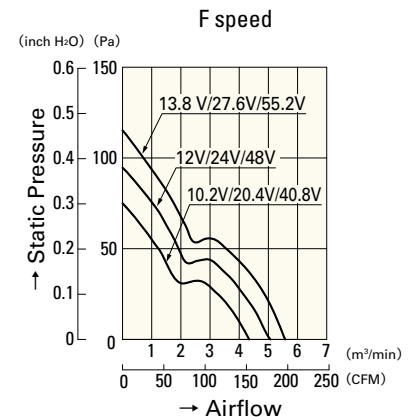
109E1712K501
109E1724K501
109E1748K501



109E1712H501
109E1724H501
109E1748H501



109E1712M501
109E1724M501
109E1748M501



109E1712F501
109E1724F501
109E1748F501

φ200mm

San Ace 200



General Specifications

- Material Frame: Aluminum, Impeller: Plastics (Flammability: UL94V-1)
- Expected Life Refer to specifications (L10:Survival rate:90% at 60°C ,
rated voltage, and continuously run in a free air state)
- Lead Wire ⊕red ⊖black (Sensor) yellow (Control) brown
- Storage Temperature -30°C to +70°C (Non-condensing)

Power on when current is shut off. Do not power on 15s or more after power off.

φ200mm×70mm (Mass : 1800g) **9GV type**

Specifications

The following nos. **have PWM controls and pulse sensors.**

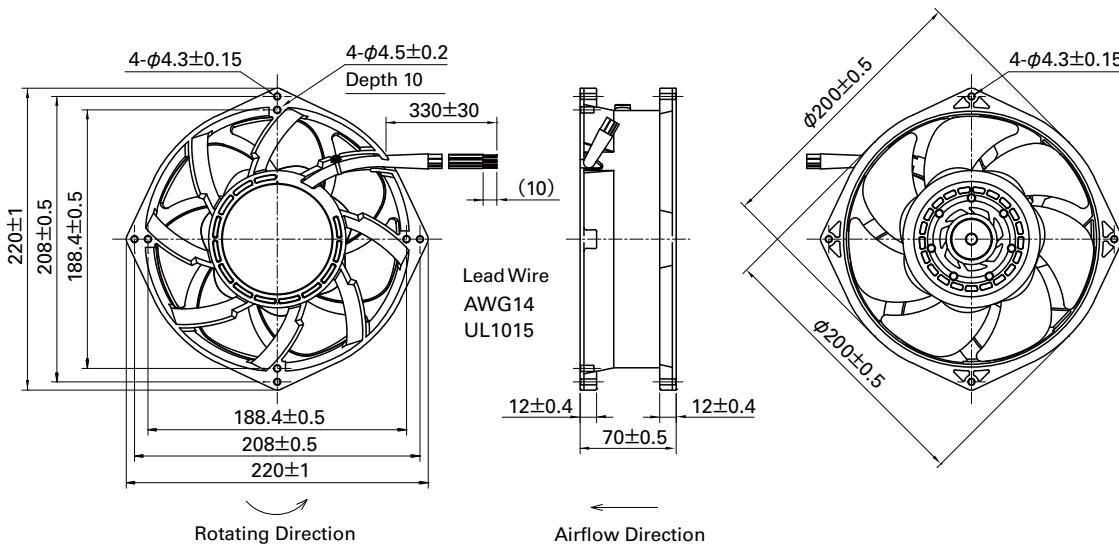
Model No.	Rated Voltage [V]	Operating Voltage Range [V]	PWM duty cycle* [%]	Rated Current [A]	Rated Input [W]	Rated Speed [min ⁻¹]	Max. Airflow [m ³ /min] [CFM]	Max. Static Pressure [Pa] [inchH ₂ O]	SPL [dB(A)]	Operating Temperature [°C]	Expected Life [h]
9GV2048P0G201 ^(Note)	48	36 to 72	100	12.5	600	8,000	31.5 1,112	1,400 5.62	81	-20 to +70	40,000/60°C (70,000/40°C)

Note: Fan does not rotate when PWM duty cycle is 0%.

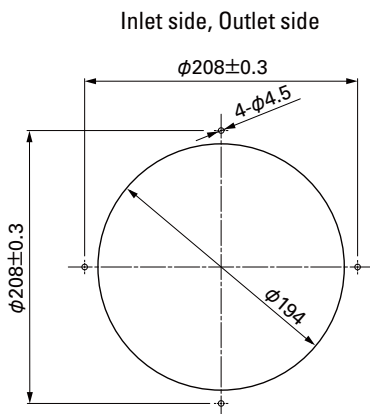
※PWM Frequency : 1kHz

Other sensor specifications are available as options. Please refer to the index (p. 508).

Dimensions (unit: mm)



Reference Dimensions of Mounting Holes and Vent Opening (unit: mm)

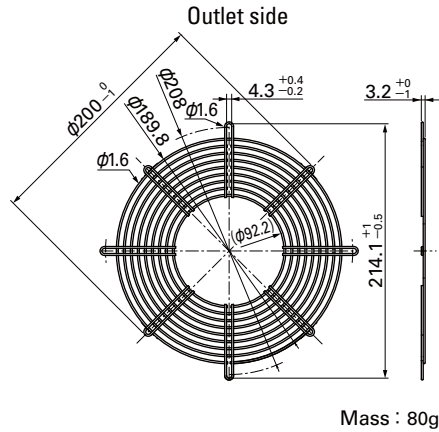
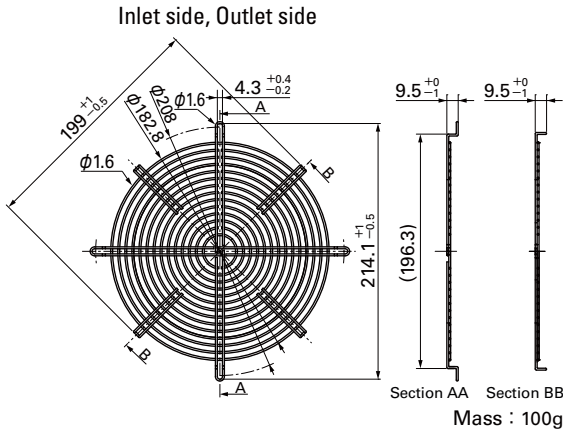


Options (unit: mm)

Finger Guards

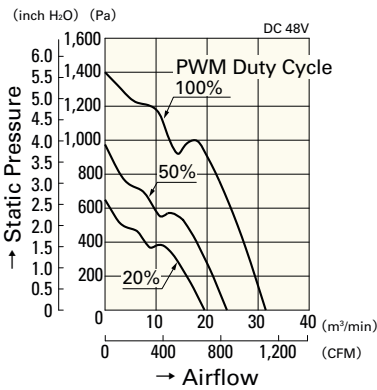
Model : 109-1102 Surface treatment : Nickel-chrome plating (silver) Color

Model : 109-1103 Surface treatment : Nickel-chrome plating (silver) Color



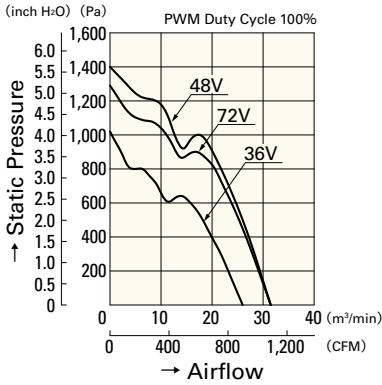
Airflow - Static Pressure Characteristics

PWM Duty Cycle



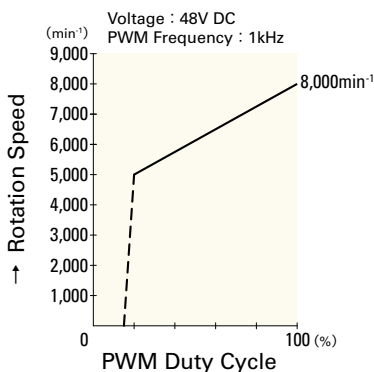
9GV2048P0G201

Operating Voltage Range



9GV2048P0G201

PWM Duty - Speed Characteristics Example



9GV2048P0G201

φ200mm

San Ace 200



Model no. 9EC2048J001 is not certified.

General Specifications

- Material Frame: Aluminum, Impeller: Plastics (Flammability: UL94V-1)
 - Expected Life Refer to specifications (L10:Survival rate:90% at 60°C ,
rated voltage, and continuously run in a free air state)
 - Lead Wire ⊕red ⊖black or blue (Sensor) yellow
 - Storage Temperature -30°C to +70°C (Non-condensing)
- Power on when current is shut off. Do not power on 10s or more after power off.

φ200mm×70mm (Mass : 1800g) **9EC type**

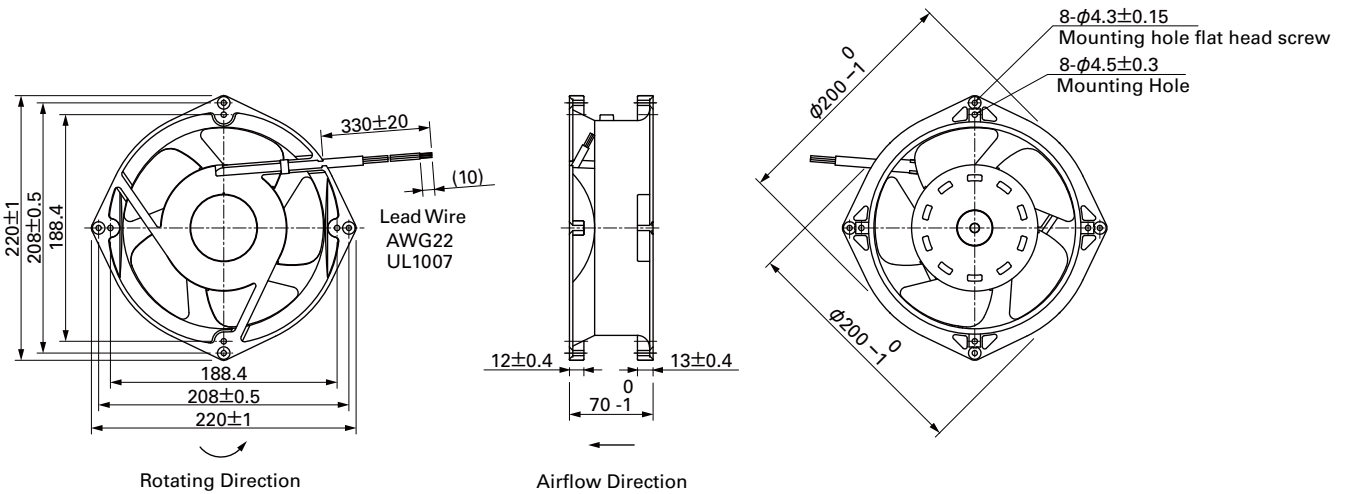
Specifications

The following nos. **have pulse sensors.**

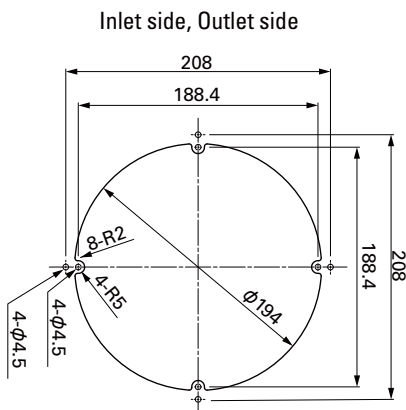
Model No.	Rated Voltage [V]	Operating Voltage Range [V]	Rated Current [A]	Rated Input [W]	Rated Speed [min ⁻¹]	Max. Airflow [m ³ /min] [CFM]	Max. Static Pressure [Pa] [inchH ₂ O]	SPL [dB(A)]	Operating Temperature [°C]	Expected Life [h]
9EC2024H001	24	20.4 to 26.4	2.0	48.0	3,600	11.0 388	360 1.446	60	-20 to +60	40,000/60°C
9EC2048J001	48	40.8 to 55.2	4.4	211.2	6,100	18.3 646	1,000 4.016	75		
9EC2048A001		43.0 to 51.0	2.2	105.6	4,800	14.7 519	640 2.570	68		
9EC2048H001		40.8 to 52.8	1.2	57.6	3,600	11.0 388	360 1.446	60		

Other sensor specifications are available as options. Please refer to the index (p. 501).

Dimensions (unit: mm)



Reference Dimensions of Mounting Holes and Vent Opening (unit: mm)



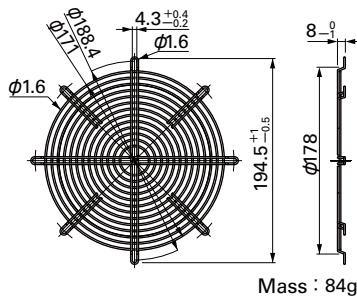
Options (unit: mm)

Finger Guards

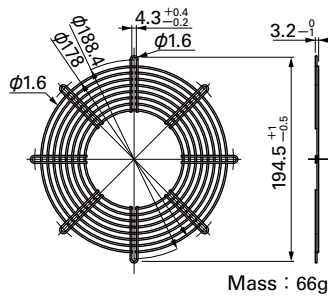
Model : 109-720 Surface treatment : Nickel-chrome plating (silver) Color : 109-720H Cation electropainting (black)

Model : 109-721 Surface treatment : Nickel-chrome plating (silver) Color : 109-721H Cation electropainting (black)

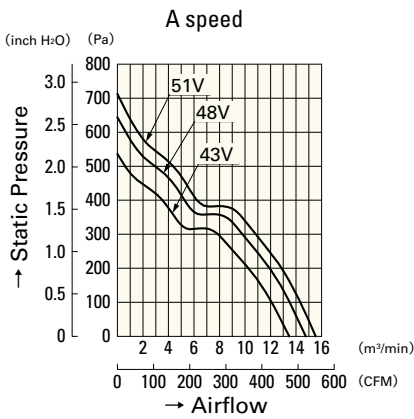
Inlet side, Outlet side



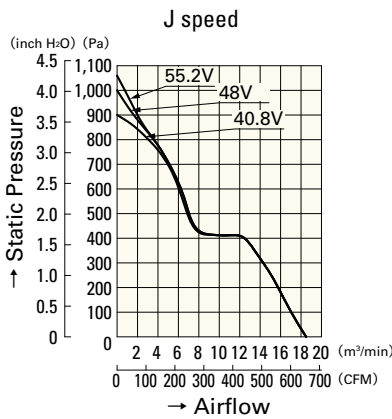
Outlet side



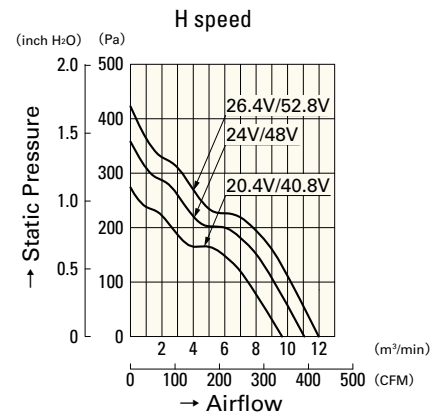
Airflow - Static Pressure Characteristics



9EC2048A001



9EC2048J001



9EC2024H001

9EC2048H001

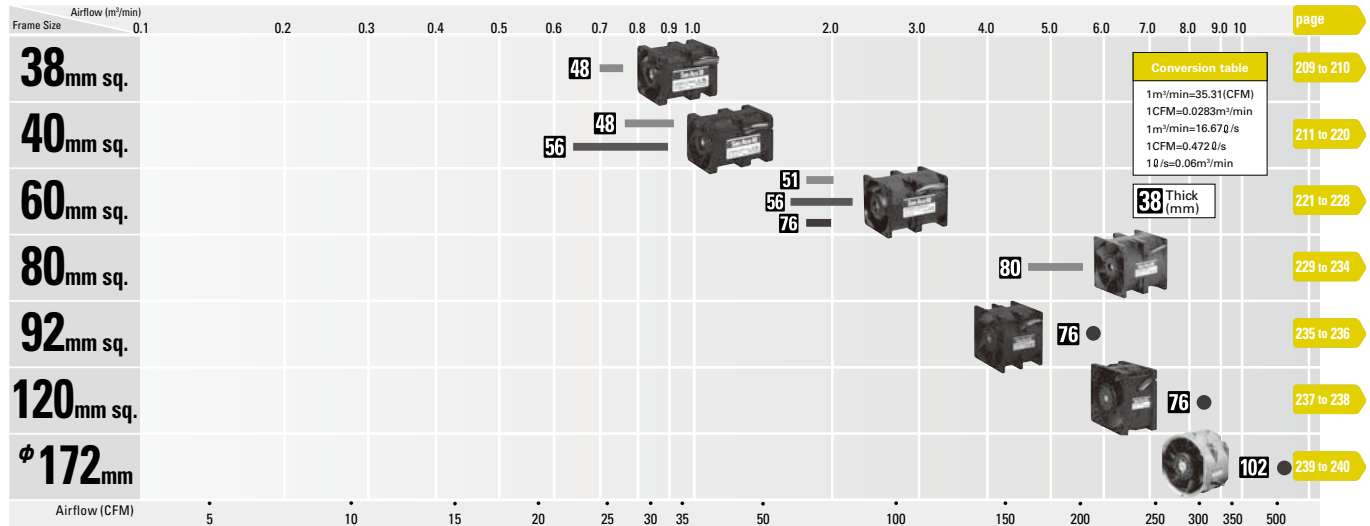
Counter Rotating Fan

Counter rotating fans feature high airflow and high static pressure.

Related product

Long Life Counter Rotating Fan ⇒ pp. 327, 333

Domain Diagram



Model Numbering System

Not every combination of the following codes or characters is available. Contact us for an available combination.

9CRA

Type name / frame material
 9CR / Plastics
 Aluminum
 9CRA / Plastics
 9CRB / Plastics
 9CRE / Aluminum
 9CRD / Plastics
 9CRF / Plastics

04

Frame size
 03 : 38×38mm
 04 : 40×40mm
 06 : 60×60mm
 08 : 80×80mm
 12 : 120×120mm
 57 : φ172mm×150mm (sidecut)

12

Voltage
 12 : 12V
 48 : 48V

K

Speed code
 J, G, S, H, K
 etc

4

Frame thickness
 0 : 76mm thick
 4 : 48mm thick
 5 : 56mm thick,
 51mm thick
 6 : 56mm thick
 8 : 80mm thick
 9 : 102mm thick

01

Sensor specifications
 01 : With a pulse sensor
 02 : Without a sensor
 D01 : With a lock sensor

Fans with PWM control function

Example :

9CRA

Type name / frame material
 9CRA / Plastics

03

Frame size
 03 : 38×38mm

12

Voltage
 12 : 12V

P

PWM control function

4

Frame thickness

K

Speed code

03

Individual customer's spec
 2 or 3 digits

How to Read Specifications

DC Fan											DC	
Model No.	① Rated Voltage [V]	② Operating Voltage Range [V]	③ Rated Current [A]	④ Rated Input [W]	⑤ Rated Speed [min ⁻¹]	⑥ Max. Airflow [m ³ /min] [CFM]		⑦ Max. Static Pressure [Pa] [inchH ₂ O]		⑧ SPL [dB(A)]	⑨ Operating Temperature [°C]	⑩ Expected Life [h]
9GA0412G7001	12	7 to 13.8	0.17	2.04	13,100	0.36	12.7	192	0.77	42	-20 to +70	40,000/60°C (70,000/40°C)

- ① Rated Voltage This is the necessary voltage to drive the fan. 12VDC, 24VDC and 48VDC are available.
- ② Operating Voltage Range... The voltage range over which fan operation is guaranteed
- ③ Rated Current The current value during the fan's rated operation without load
- ④ Rated Input The input value during the fan's rated operation without load
- ⑤ Rated Speed The rotating speed during the fan's rated operation without load
- ⑥ Max. Airflow The maximum air volume that the fan can output during rated operation (according to the company's dual-chamber device).
The volume of air generated by the fan in a given time period
- ⑦ Max. Static Pressure The maximum static pressure value that the fan can output during rated operation (according to the company's dual-chamber device). The static pressure is the fan's force to propel air by overcoming the resistance of the device that uses the fan when it propels air.
- ⑧ SPL..... "SPL" is Sound Pressure Level. The noise level during the fan's rated operation.
Please refer to the technical material section for the method used to measure the noise level.
- ⑨ Operating Temperature The temperature range over which fan operation is guaranteed (Non- condensing)
- ⑩ Expected Life The fan's expected operating life when the fan operates continuously at the rated voltage at a temperature of 60°C and at relative humidity of 90%. Expected life at 40°C ambient is just reference value.
Please refer to the technical material section for the expected operating life.

DC Fan Common Specifications

Material Frame,Impeller:Plastics / Frame:Aluminum,Impeller:Plastics

* For details, refer to the appropriate page.

Expected LifeVaries for each model (L10:Survival rate:90% at 60°C ,rated voltage, and continuously run in a free air state)

* Splash proof fan: Varies for each model (Indoor, L10:Survival rate:90% at 60°C ,rated voltage, and continuously run in a free air state)

Motor Protection Burnout protection at locked rotor condition and Reverse polarity protection

Dielectric StrengthAC50/60Hz 500VAC 1minute(between lead conductor and frame)

Insulation Resistance10M Ω or more at 500VDC megger (between lead conductor and frame)

Sound Pressure Level(SPL) ..Expressed as the value at 1m from air inlet side

Lead WireFor details, refer to the appropriate page.

Overheating protection function

Protection Functions:

If the fan blades are restricted, an overcurrent occurs and leads to a rise in the fan coil temperature. This can result in reduced performance, damage, or a fire. To prevent this from occurring, SANYO DENKI's fans incorporate an overheating protection function. Refer to the catalog for the types of protection functions.

Burnout protection function at locked rotor condition

- Current cutoff system

If the fan blades are restricted, the coil current is cut off at regular cycles to prevent overheating of the coil. When the hindrance is removed, the fan restarts automatically.

Reverse polarity protection function

No problem about fan even if positive & negative lead are connected in reverse.

However, when wiring fans with sensors or PWM speed control function, connecting positive and negative leads in reverse may damage the fans.

38mm sq.

San Ace 38



General Specifications

- Material Frame: Plastics (Flammability: UL94V-0),
Impeller: Plastics (Flammability: UL94V-1)
- Expected Life Refer to specifications (L10:Survival rate:90% at 60°C ,
rated voltage, and continuously run in a free air state)
- Lead Wire Inlet ⊕red ⊖black (Sensor) yellow (Control) brown
Outlet ⊕orange ⊖gray (Sensor) purple (Control) white
- Storage Temperature -30°C to +70°C (Non-condensing)

38×38×48mm (Mass : 80g) **9CRA type**

Specifications

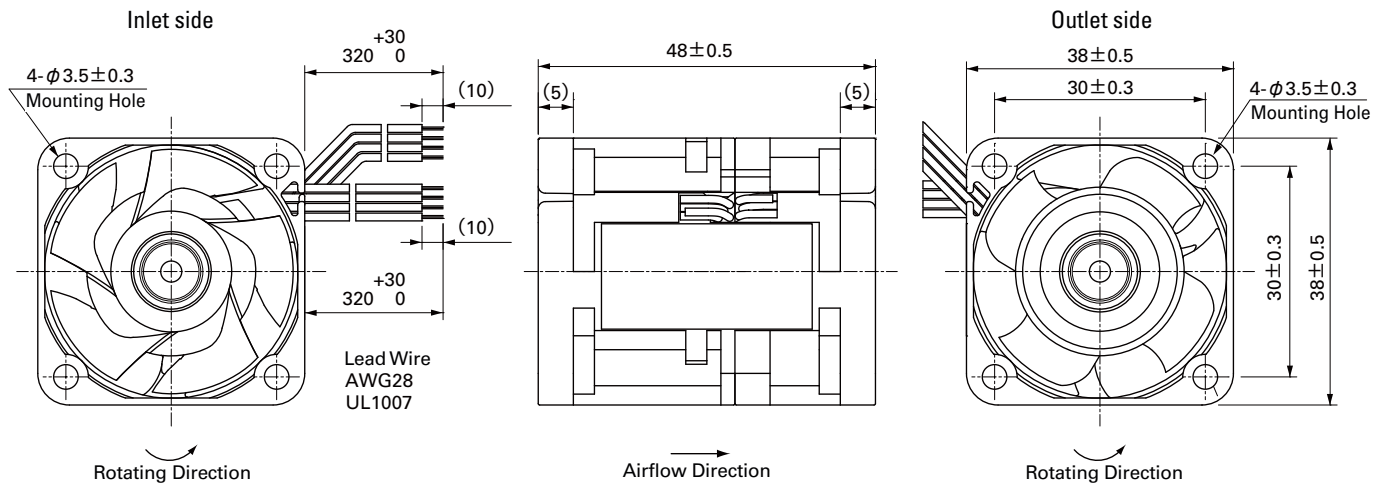
The following nos. have PWM controls and pulse sensors.

Model No.	Rated Voltage [V]	Operating Voltage Range [V]	PWM duty cycle* [%]	Rated Current [A]	Rated Input [W]	Rated Speed [min ⁻¹]		Max. Airflow [m ³ /min] [CFM]		Max. Static Pressure [Pa] [inchH ₂ O]		SPL [dB(A)]	Operating Temperature [°C]	Expected Life [h]
						Inlet	Outlet							
9CRA0312P4K03	12	10.8 to 13.2	100	1.5	18.0	17,600	14,520	0.77	27.2	700.0	2.81	64	-20 to +70	40,000/60°C
			0	0.2	2.4	5,280	4,200	0.22	7.8	54.9	0.22	33		
9CRA0312P4J03			100	1.1	13.2	16,000	13,200	0.7	24.7	560.0	2.25	62		
			0	0.18	2.2	4,800	3,960	0.21	7.4	50.4	0.20	31		

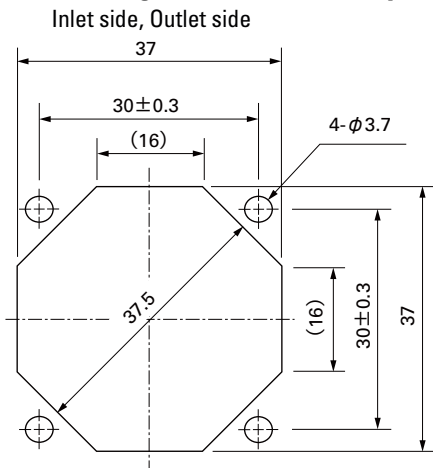
*PWM Frequency : 25kHz

Other sensor specifications are available as options. Please refer to the index (p. 501).

Dimensions (unit: mm)



Reference Dimensions of Mounting Holes and Vent Opening (unit: mm)

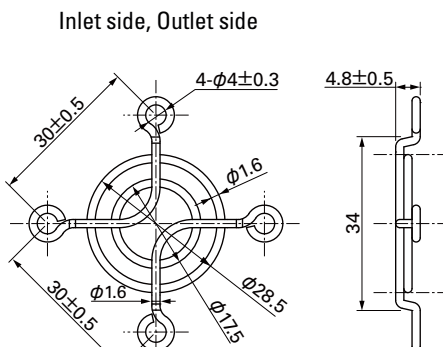


Options (unit: mm)

Finger Guards

Model : 109-1065 Surface treatment : Nickel-chrome plating (silver)

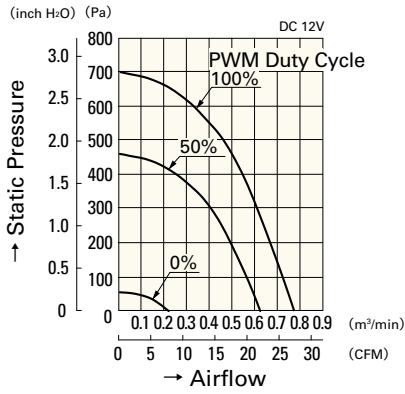
Color



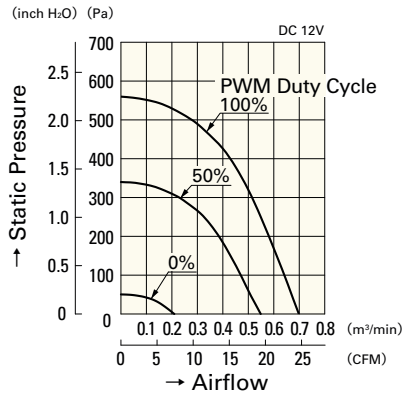
Mass : 5g

Airflow - Static Pressure Characteristics

PWM Duty Cycle

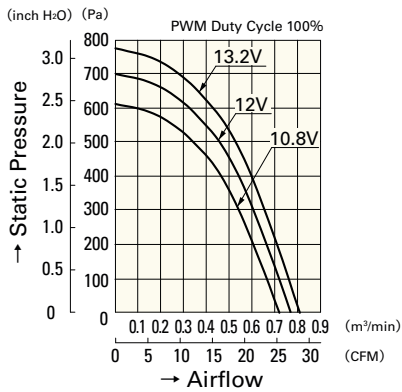


9CRA0312P4K03

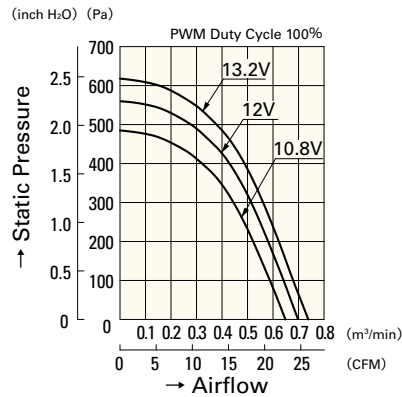


9CRA0312P4J03

Operating Voltage Range

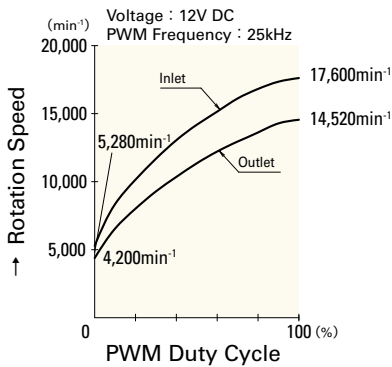


9CRA0312P4K03

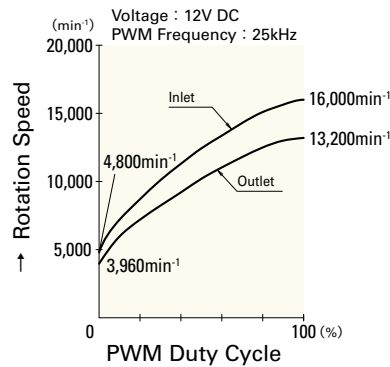


9CRA0312P4J03

PWM Duty - Speed Characteristics Example



9CRA0312P4K03



9CRA0312P4J03

40 mm sq.

San Ace 40



General Specifications

- Material Frame: Plastics (Flammability: UL94V-0),
Impeller: Plastics (Flammability: UL94V-1)
- Expected Life Refer to specifications (L10:Survival rate:90% at 60°C ,
rated voltage, and continuously run in a free air state)
- Lead Wire Inlet ⊕red ⊖black (Sensor) yellow (Control) brown
Outlet ⊕orange ⊖gray (Sensor) purple (Control) white
- Storage Temperature -30°C to +70°C (Non-condensing)

40×40×48mm (Mass : 80g) **9CRA type**

Specifications

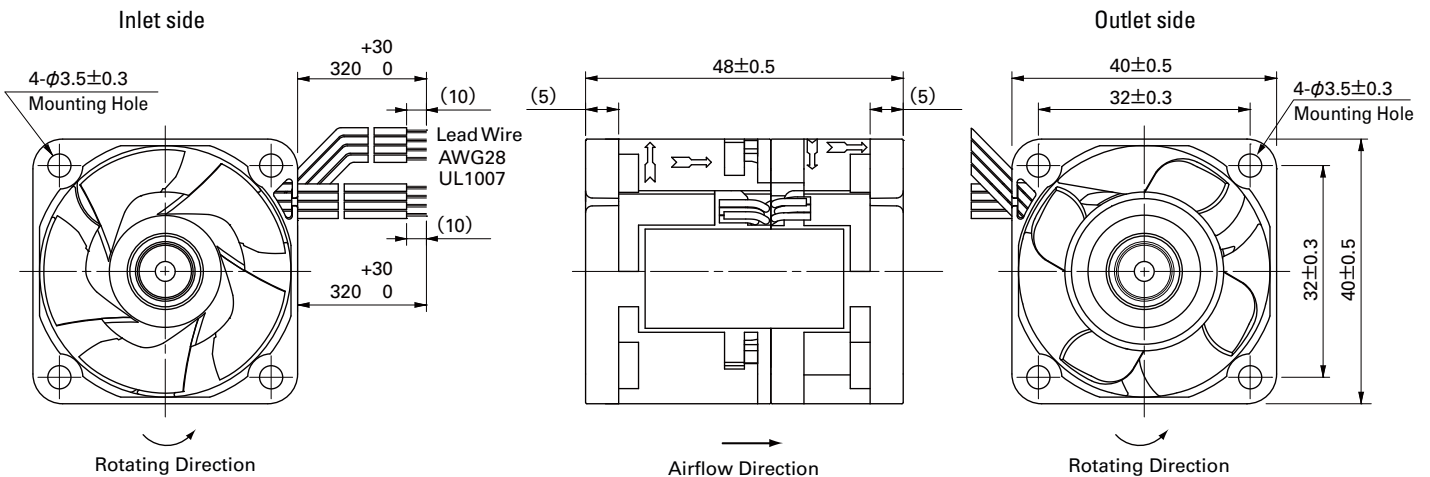
The following nos. have PWM controls and pulse sensors.

Model No.	Rated Voltage [V]	Operating Voltage Range [V]	PWM duty cycle* [%]	Rated Current [A]	Rated Input [W]	Rated Speed [min ⁻¹]	Max. Airflow [m ³ /min] [CFM]	Max. Static Pressure [Pa] [inchH ₂ O]	SPL [dB(A)]	Operating Temperature [°C]	Expected Life [h]
9CRA0412P4K03	12	10.8 to 13.2	100	1.60	19.20	17,500 11,700	0.920 32.50	650.0 2.610	64	-20 to +70	40,000/60°C
			0	0.19	2.28	5,250 3,510	0.276 9.75	58.5 0.235	33		
9CRA0412P4J03			100	1.20	14.40	16,200 10,800	0.850 30.00	560.0 2.250	62		
			0	0.15	1.80	4,500 3,000	0.236 8.33	43.2 0.173	28		
9CRA0412P4G03			100	1.00	12.00	14,700 9,800	0.770 27.20	460.0 1.850	59		
			0	0.15	1.80	4,410 2,940	0.231 8.16	41.4 0.166	28		

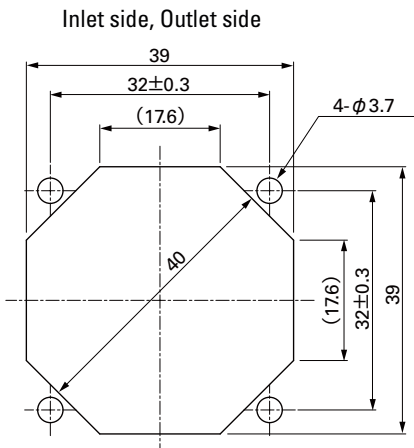
*PWM Frequency : 25kHz

Other sensor specifications are available as options. Please refer to the index (p. 501).

Dimensions (unit: mm)



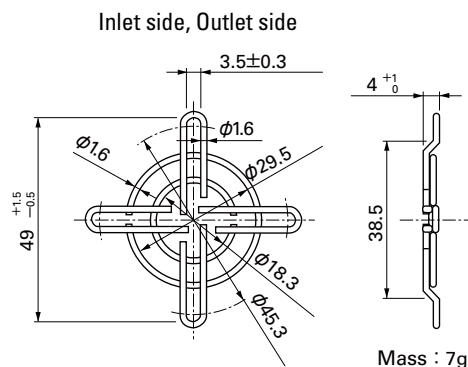
Reference Dimensions of mounting holes and vent opening (unit: mm)



Options (unit: mm)

Finger Guards

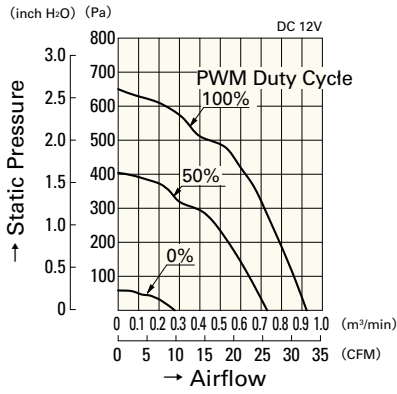
Model : 109-059 Surface treatment : Nickel-chrome plating (silver)
: 109-059H : Cation electropainting (black)



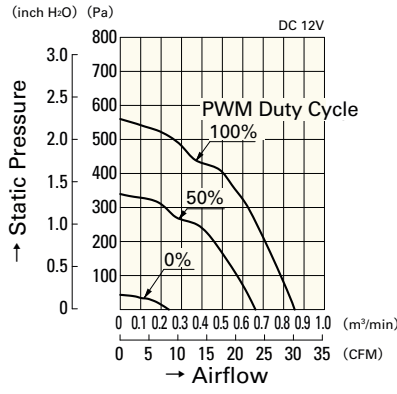
Mass : 7g

Airflow - Static Pressure Characteristics

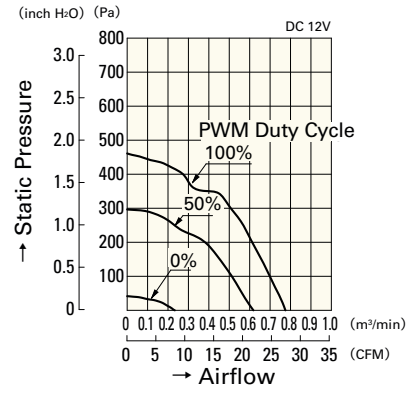
PWM Duty Cycle



9CRA0412P4K03

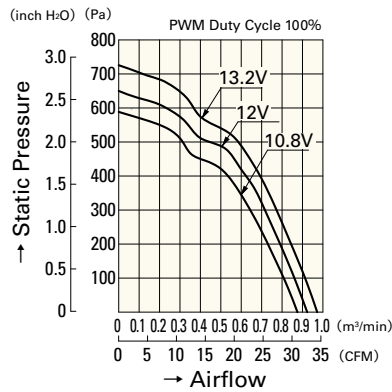


9CRA0412P4J03

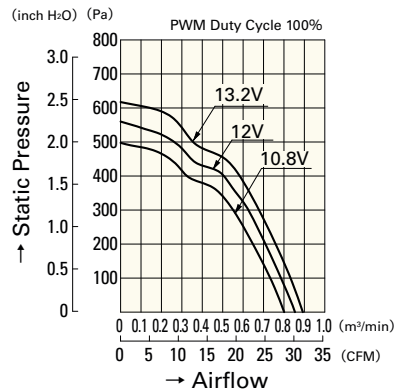


9CRA0412P4G03

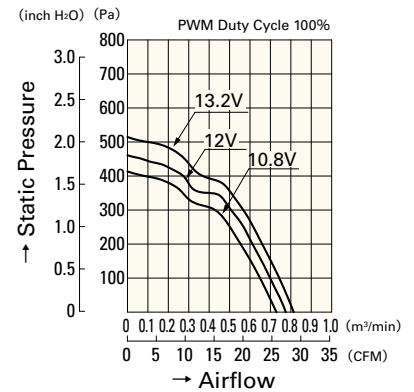
Operating Voltage Range



9CRA0412P4K03

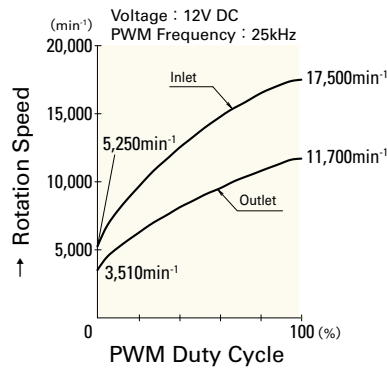


9CRA0412P4J03

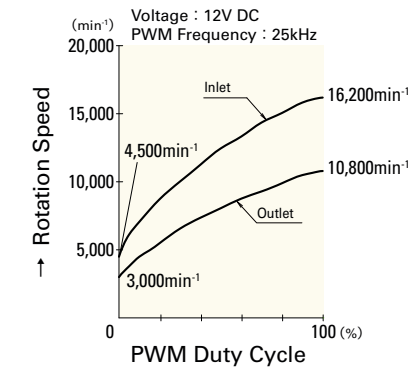


9CRA0412P4G03

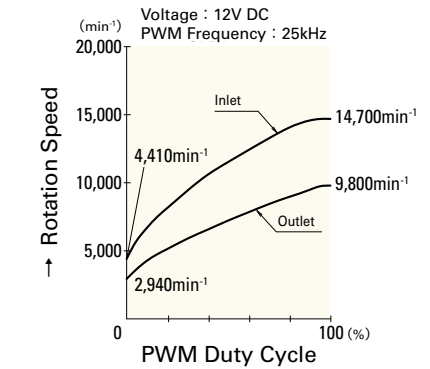
PWM Duty - Speed Characteristics Example



9CRA0412P4K03



9CRA0412P4J03



9CRA0412P4G03

40mm sq.

San Ace 40



General Specifications

- Material Frame: Plastics (Flammability: UL94V-0),
Impeller: Plastics (Flammability: UL94V-0)
- Expected Life Refer to specifications (L10:Survival rate:90% at 60°C ,
rated voltage, and continuously run in a free air state)
- Lead Wire Inlet ⊕red ⊖black (Sensor) yellow (Control) brown
Outlet ⊕orange ⊖gray (Sensor) purple (Control) white
- Storage Temperature -30°C to +70°C (Non-condensing)

40×40×56mm (Mass : 100g) **9CRB type**

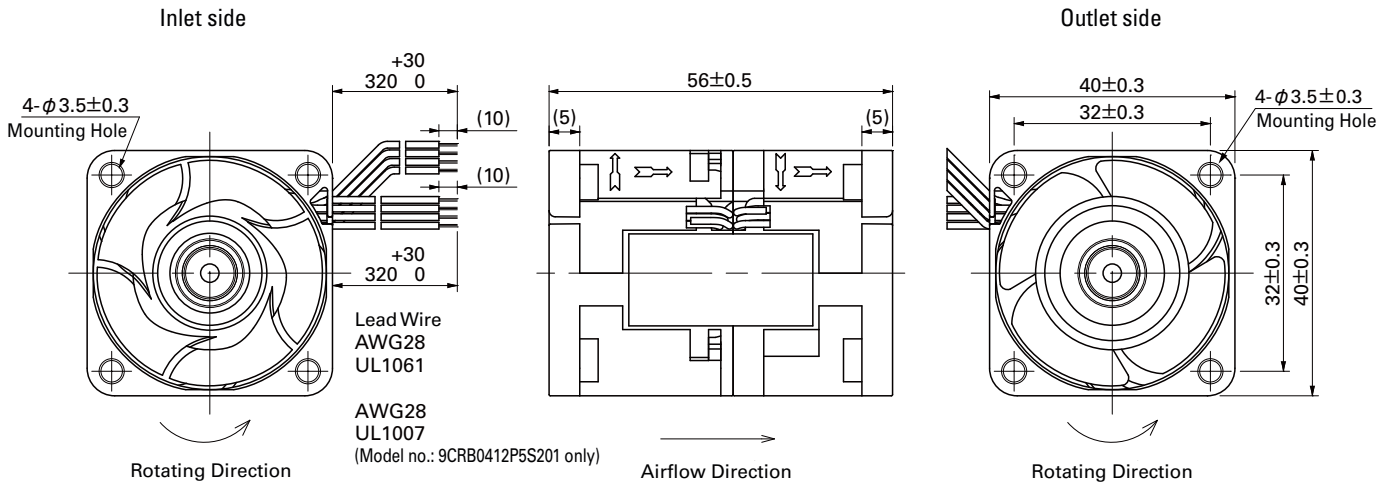
Specifications

The following nos. **have PWM controls and pulse sensors.**

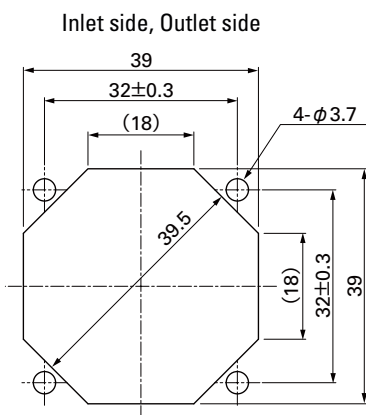
Model No.	Rated Voltage [V]	Operating Voltage Range [V]	PWM duty cycle* [%]	Rated Current [A]	Rated Input [W]	Rated Speed [min ⁻¹]		Max. Airflow [m ³ /min] [CFM]		Max. Static Pressure [Pa] [inchH ₂ O]		SPL [dB(A)]	Operating Temperature [°C]	Expected Life [h]
						Inlet	Outlet							
9CRB0412P5S201	12	10.8 to 13.2	100	1.4	16.8	22,000	19,700	0.9	31.8	1,045	4.197	68	-20 to +70	40,000/60°C
			0	0.09	1.08	3,800	3,500	0.15	5.3	31	0.124	26		
9CRB0412P5K001			100	0.88	10.56	19,000	17,000	0.76	26.83	730	2.93	62		
			0	0.11	1.32	5,700	5,100	0.21	7.41	67	0.26	33		
9CRB0412P5J201			100	0.72	8.64	17,300	16,000	0.71	25.1	650	2.61	61		
			0	0.07	0.84	3,450	3,200	0.13	4.59	26	0.10	24		

*PWM Frequency : 25kHz

Dimensions (unit: mm)



Reference Dimensions of Mounting Holes and Vent Opening (unit: mm)

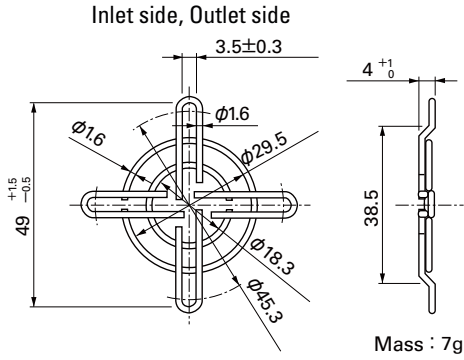


Options (unit: mm)

Finger Guards

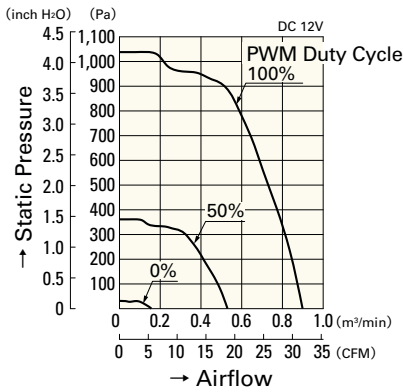
Model : 109-059 Surface treatment : Nickel-chrome plating (silver)
 : 109-059H : Cation electropainting (black)

Color

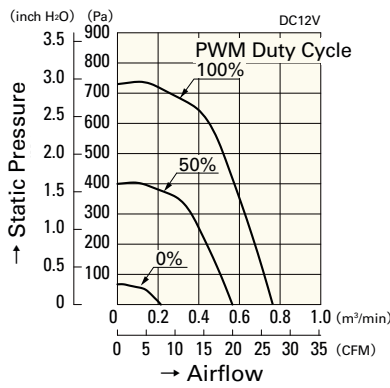


Airflow - Static Pressure Characteristics

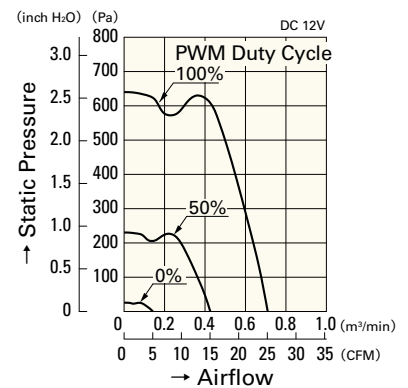
PWM Duty Cycle



9CRB0412P5S201

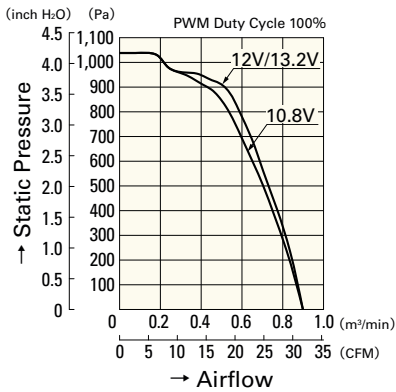


9CRB0412P5K001

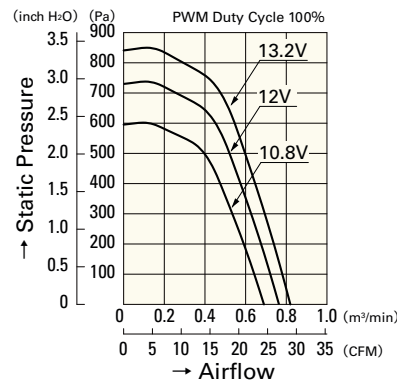


9CRB0412P5J201

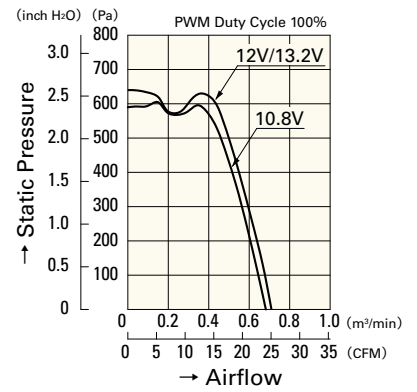
Operating Voltage Range



9CRB0412P5S201

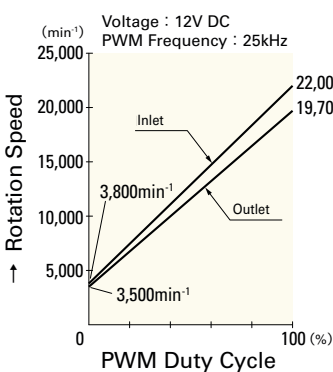


9CRB0412P5K001

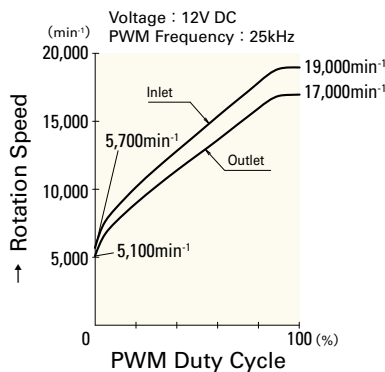


9CRB0412P5J201

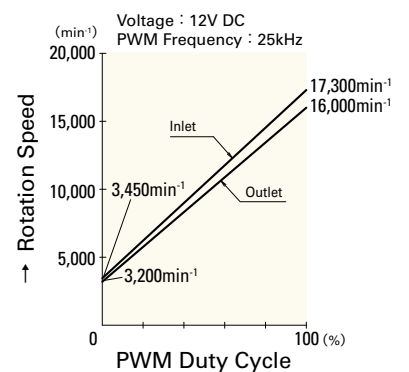
PWM Duty - Speed Characteristics Example



9CRB0412P5S201



9CRB0412P5K001



9CRB0412P5J201

40mm sq.

San Ace 40



General Specifications

- Material Frame: Plastics (Flammability: UL94V-0),
Impeller: Plastics (Flammability: UL94V-0)
- Expected Life Refer to specifications (L10:Survival rate:90% at 60°C ,
rated voltage, and continuously run in a free air state)
- Lead Wire Inlet ⊕red ⊖black (Sensor) yellow (Control) brown
Outlet ⊕orange ⊖gray (Sensor) purple (Control) white
- Storage Temperature -30°C to +70°C (Non-condensing)

40×40×56mm (Mass : 90g) **9CRD type**

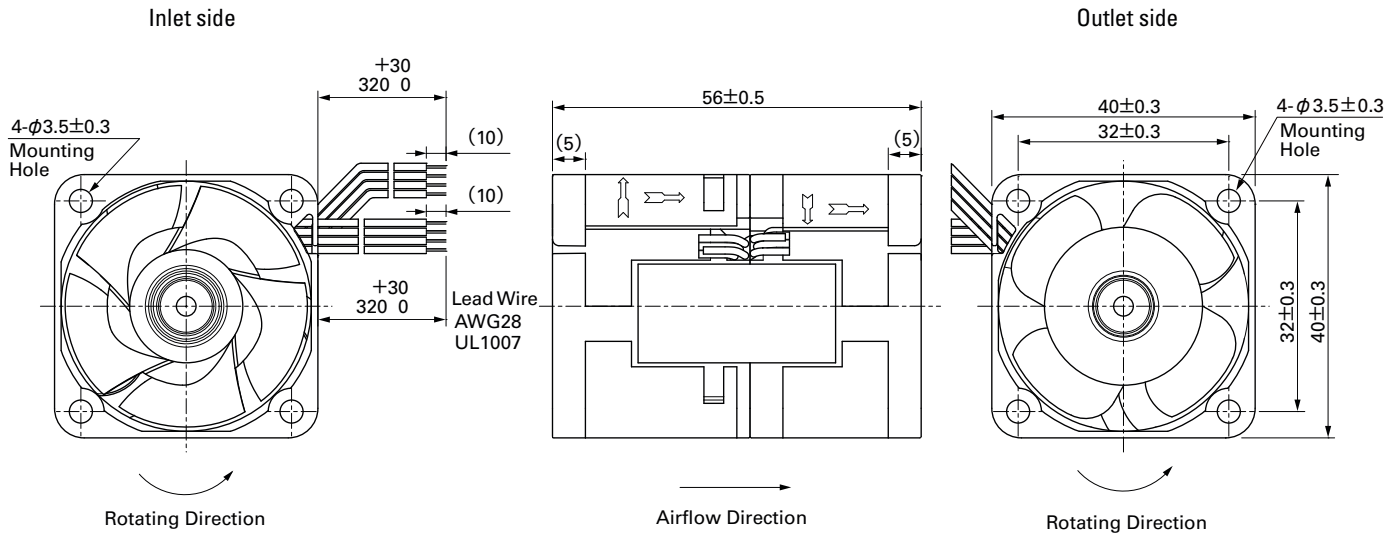
Specifications

The following nos. **have PWM controls and pulse sensors.**

Model No.	Rated Voltage [V]	Operating Voltage Range [V]	PWM duty cycle* [%]	Rated Current [A]	Rated Input [W]	Rated Speed [min ⁻¹]		Max. Airflow [m ³ /min] [CFM]		Max. Static Pressure [Pa] [inchH ₂ O]		SPL [dB(A)]	Operating Temperature [°C]	Expected Life [h]
						Inlet	Outlet							
9CRD0412P5J03	12	10.8 to 13.2	100	1.15	13.8	19,000	12,600	0.87	30.72	630	2.53	61	-20 to +70	40,000/60°C
			0	0.12	1.44	3,700	2,500	0.15	5.30	25	0.10	22		
9CRD0412P5G03			100	0.90	10.8	16,700	11,250	0.77	27.19	500	2.01	58		
			0	0.10	1.2	3,350	2,250	0.13	4.59	21	0.08	21		
9CRD0412P5H03			100	0.60	7.2	15,000	10,000	0.70	24.72	410	1.65	56		
			0	0.09	1.08	3,000	2,000	0.12	4.24	16	0.06	20		
9CRD0412P5M03			100	0.52	6.24	14,000	9,300	0.65	22.95	360	1.45	54		
			0	0.07	0.84	2,000	1,300	0.07	2.47	7	0.03	15		

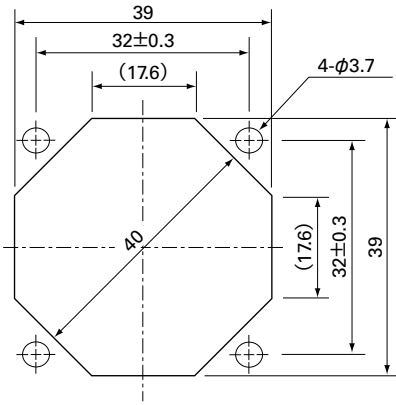
*PWM Frequency : 25kHz

Dimensions (unit: mm)



Reference Dimensions of Mounting Holes and Vent Opening (unit: mm)

Inlet side, Outlet side

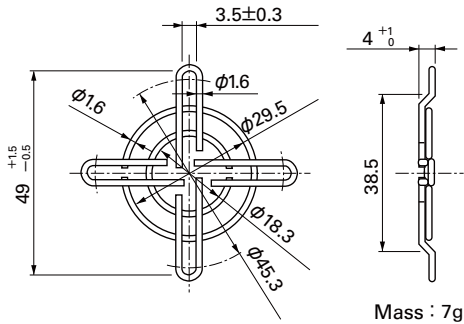


Options (unit: mm)

Finger Guards

Model : 109-059 Surface treatment : Nickel-chrome plating (silver) Color : Silver
 : 109-059H : Cation electropainting (black) Color : Black

Inlet side, Outlet side



Mass : 7g

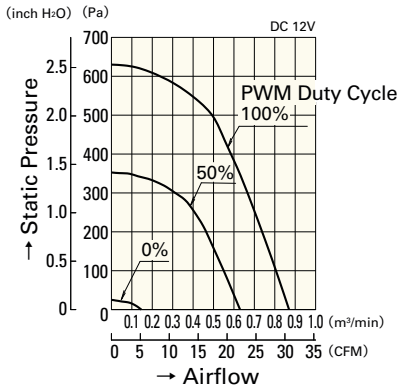
40mm sq.

San Ace 40

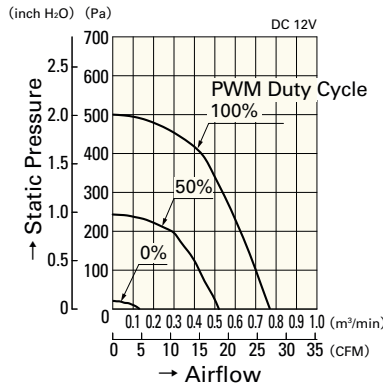
40×40×56mm [Mass : 90g]

Airflow - Static Pressure Characteristics

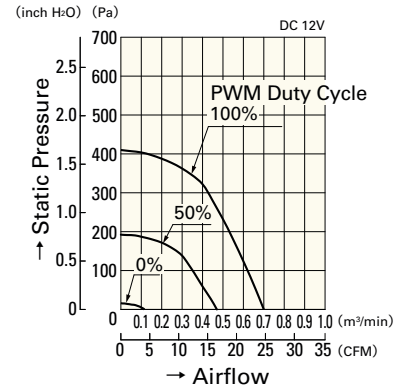
PWM Duty Cycle



9CRD0412P5J03

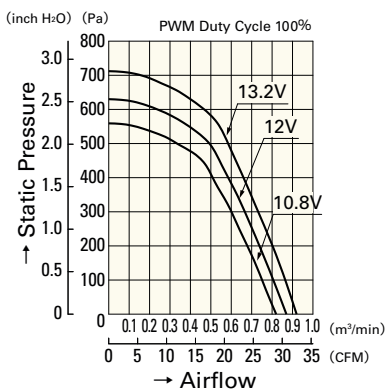


9CRD0412P5G03

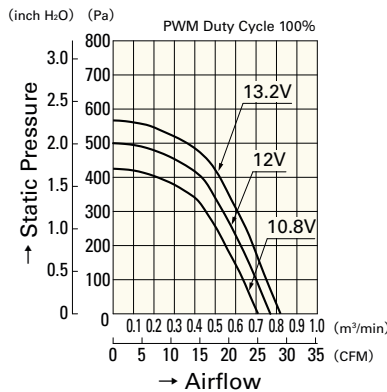


9CRD0412P5H03

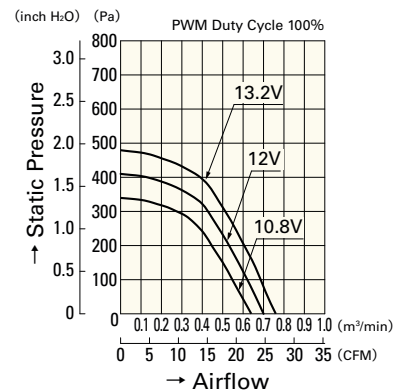
Operating Voltage Range



9CRD0412P5J03

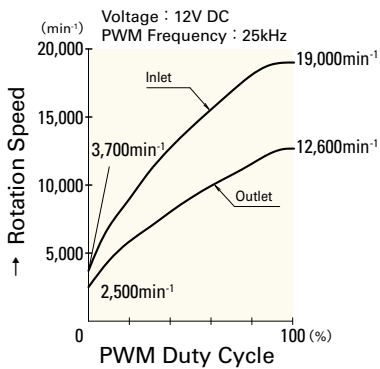


9CRD0412P5G03

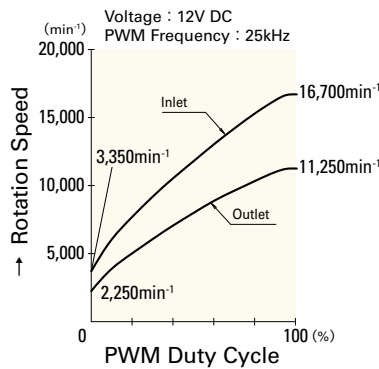


9CRD0412P5H03

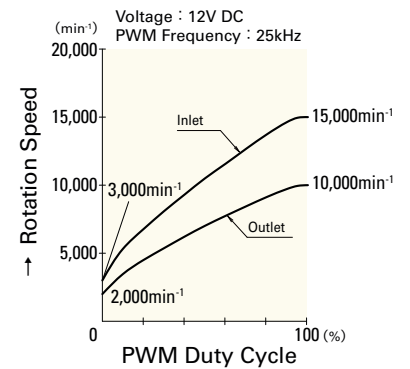
PWM Duty - Speed Characteristics Example



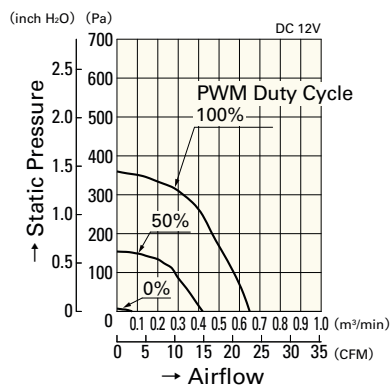
9CRD0412P5J03



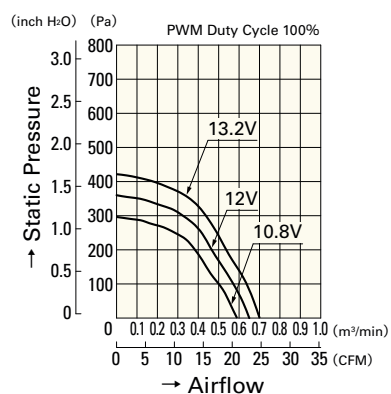
9CRD0412P5G03



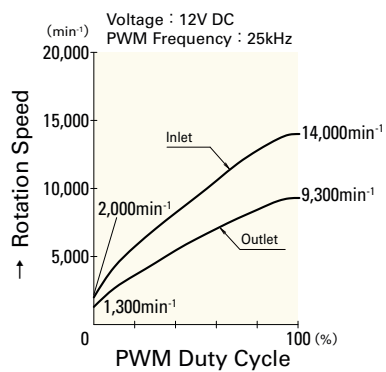
9CRD0412P5H03



9CRD0412P5M03



9CRD0412P5M03



9CRD0412P5M03

40mm sq.

San Ace 40



General Specifications

- Material Frame: Aluminum, Impeller: Plastics (Flammability: UL94V-0)
- Expected Life Refer to specifications (L10:Survival rate:90% at 60°C , rated voltage, and continuously run in a free air state)
- Lead Wire Inlet ⊕red ⊖black (Sensor) yellow (Control) brown
Outlet ⊕orange ⊖gray (Sensor) purple (Control) white
- Storage Temperature ... -30°C to +70°C (Non-condensing)

40×40×56mm (Mass : 110g) **9CRE type** **Low vibration**

Specifications

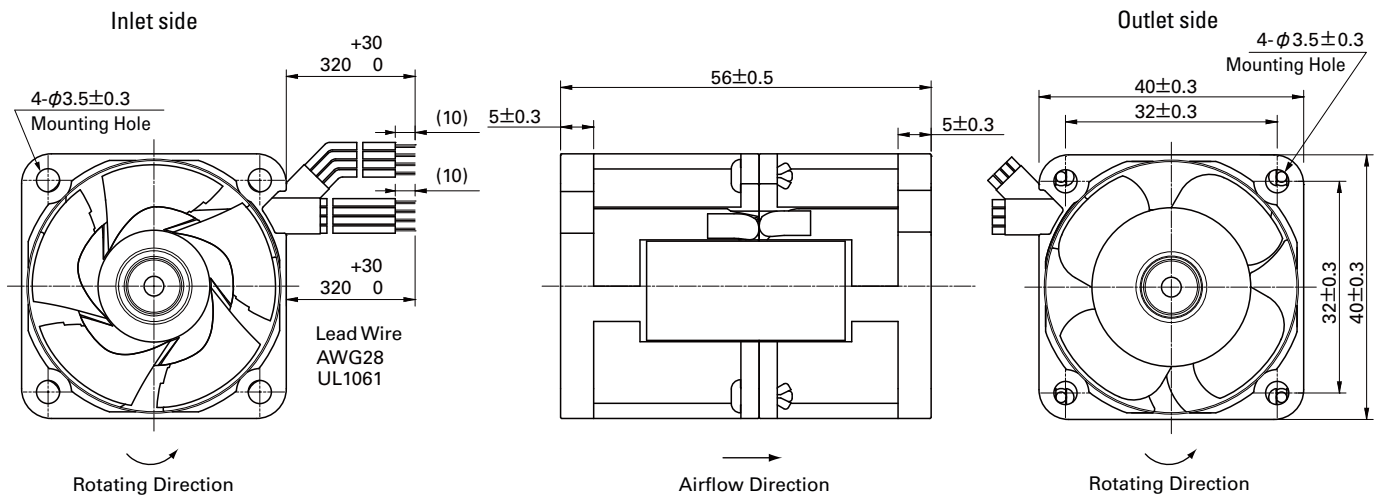
The following nos. have PWM controls and pulse sensors.

Model No.	Rated Voltage [V]	Operating Voltage Range [V]	PWM duty cycle* [%]	Rated Current [A]	Rated Input [W]	Rated Speed [min ⁻¹]		Max. Airflow [m ³ /min] [CFM]		Max. Static Pressure [Pa] [inchH ₂ O]		SPL [dB(A)]	Operating Temperature [°C]	Expected Life [h]
						Inlet	Outlet							
9CRE0412P5J03	12	10.8 to 13.2	100	1.4	16.8	15,800	12,200	0.90	31.8	570.0	2.290	62	-20 to +70	40,000/60°C
			0	0.1	1.2	2,850	2,250	0.12	4.2	13.7	0.055	20.5		

*PWM Frequency : 25kHz

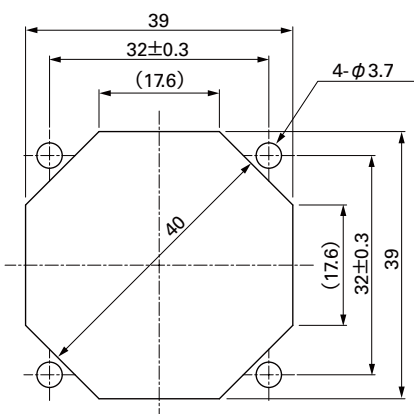
Other sensor specifications are available as options. Please refer to the index (p. 501).

Dimensions (unit: mm)



Reference Dimensions of Mounting Holes and Vent Opening (unit: mm)

Inlet side, Outlet side



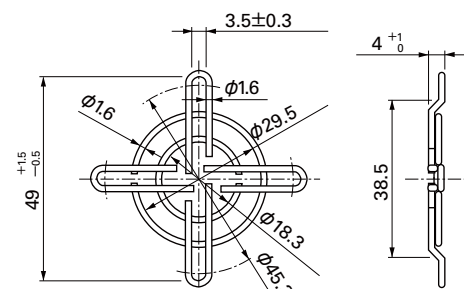
Options (unit: mm)

Finger Guards

Model : 109-059 Surface treatment : Nickel-chrome plating (silver)
 : 109-059H : Cation electropainting (black)

Color

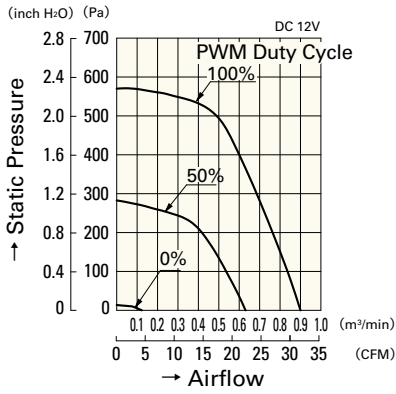
Inlet side, Outlet side



Mass : 7g

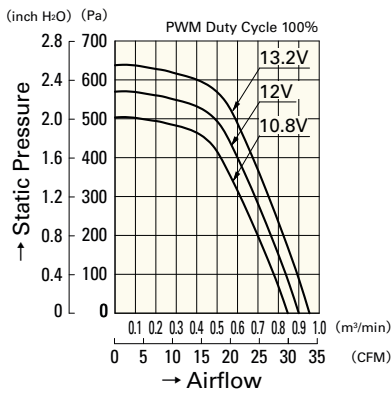
Airflow - Static Pressure Characteristics

PWM Duty Cycle



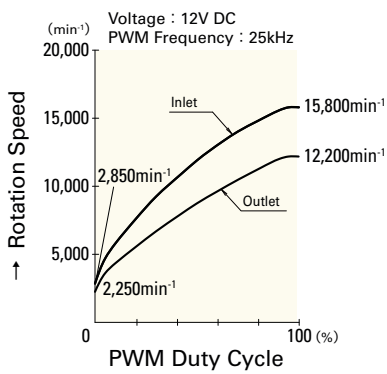
9CRE0412P5J03

Operating Voltage Range



9CRE0412P5J03

PWM Duty - Speed Characteristics Example



9CRE0412P5J03

60mm sq.

San Ace 60



General Specifications

- Material Frame: Plastics (Flammability: UL94V-0),
Impeller: Plastics (Flammability: UL94V-1)
- Expected Life Refer to specifications (L10:Survival rate:90% at 60°C ,
rated voltage, and continuously run in a free air state)
- Lead Wire Inlet ⊕red ⊖black (Sensor) yellow (Control) brown
Outlet ⊕orange ⊖gray (Sensor) purple (Control) white
- Storage Temperature -30°C to +70°C (Non-condensing)

60×60×51mm (Mass : 180g) **9CR type**

Specifications

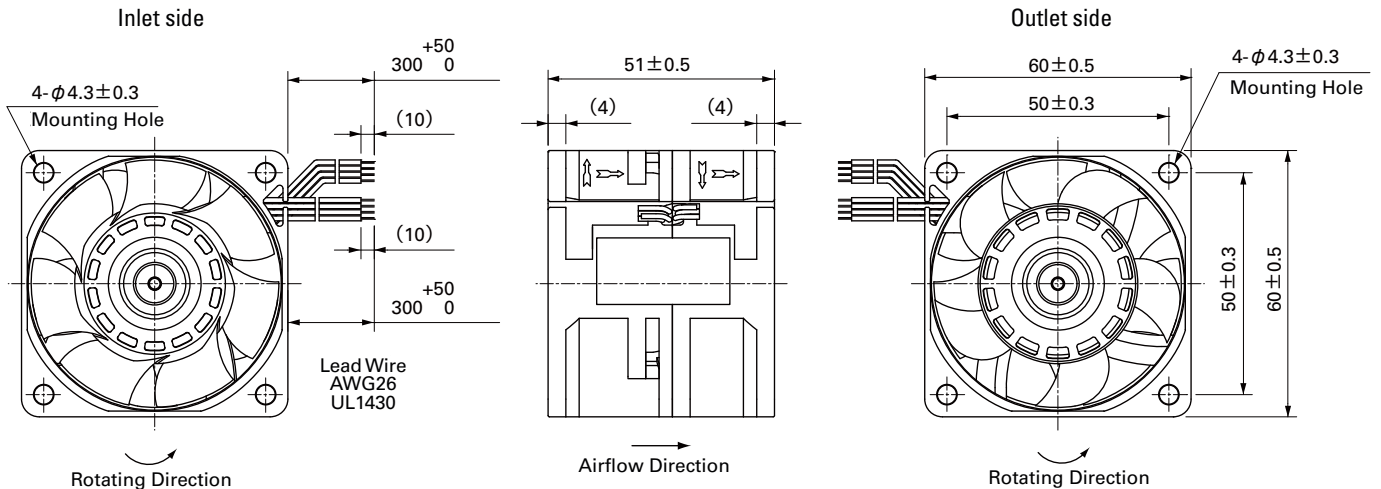
The following nos. have PWM controls and pulse sensors.

Model No.	Rated Voltage [V]	Operating Voltage Range [V]	PWM duty cycle* [%]	Rated Current [A]	Rated Input [W]	Rated Speed [min ⁻¹]		Max. Airflow [m ³ /min] [CFM]		Max. Static Pressure [Pa] [inchH ₂ O]		SPL [dB(A)]	Operating Temperature [°C]	Expected Life [h]
						Inlet	Outlet							
9CR0612P5G03	12	10.8 to 13.2	100	2.7	32.4	11,500	9,000	2.03	71.7	600	2.41	68	-20 to +70	40,000/60°C
			0	0.22	2.64	3,000	2,300	0.48	16.9	40	0.16	34		
9CR0612P5H03			100	2.0	24.0	10,500	8,200	1.85	65.4	500	2.01	65		
			0	0.22	2.64	3,000	2,300	0.48	16.9	40	0.16	34		

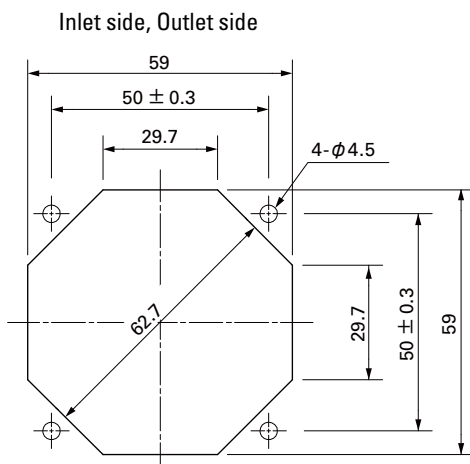
*PWM Frequency : 25kHz

Other sensor specifications are available as options. Please refer to the index (p. 501).

Dimensions (unit: mm)



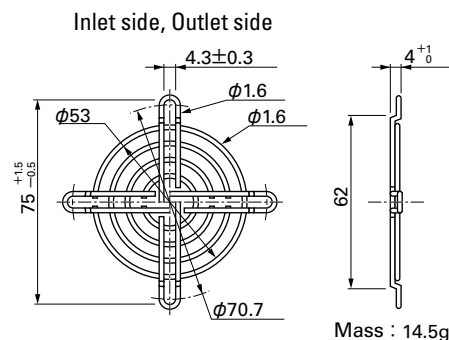
Reference Dimensions of Mounting Holes and Vent Opening (unit: mm)



Options (unit: mm)

Finger Guards

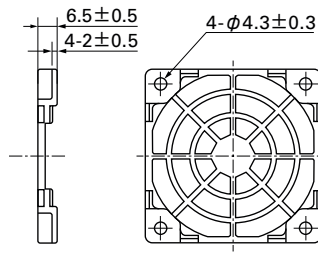
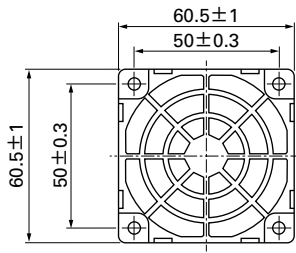
Model : 109-139E Surface treatment : Nickel-chrome plating (silver)
 : 109-139H : Cation electropainting (black)



Options (unit: mm)

Resin Finger Guards

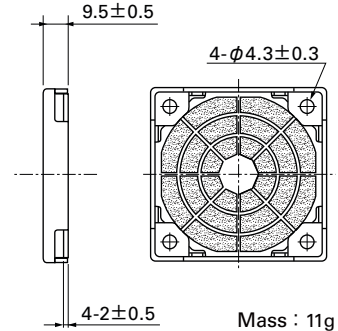
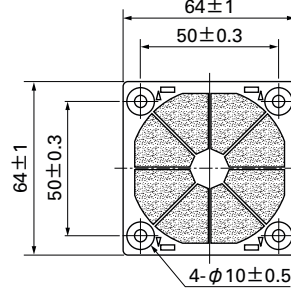
Model : 109-1003G



Mass : 7g

Resin Filter Kits

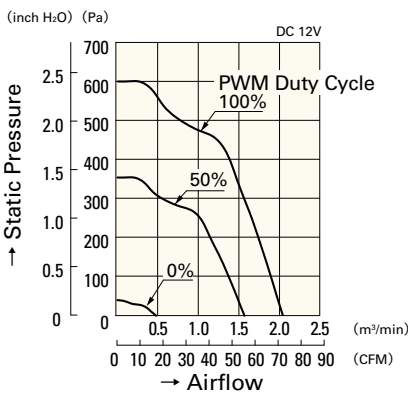
Model : 109-1003F13 (13PPI), 109-1003F20 (20PPI)
: 109-1003F30 (30PPI), 109-1003F40 (40PPI)



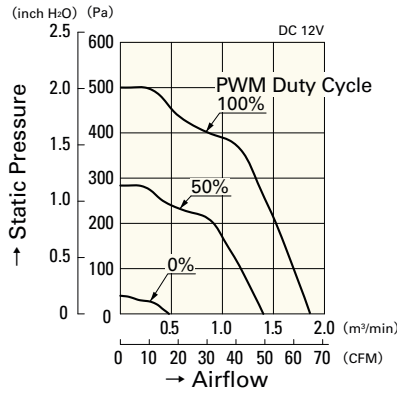
Mass : 11g

Airflow - Static Pressure Characteristics

PWM Duty Cycle

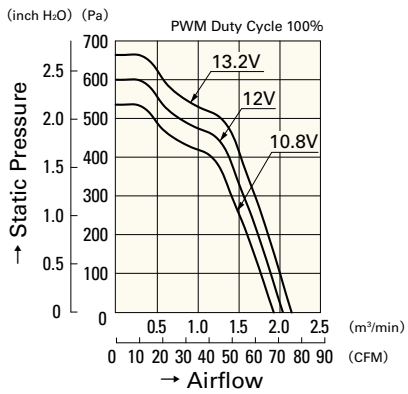


9CR0612P5G03

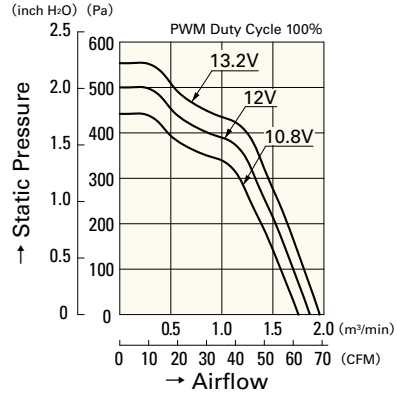


9CR0612P5H03

Operating Voltage Range

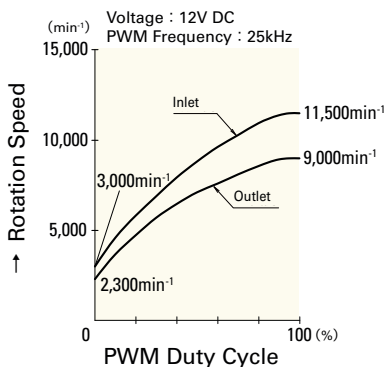


9CR0612P5G03

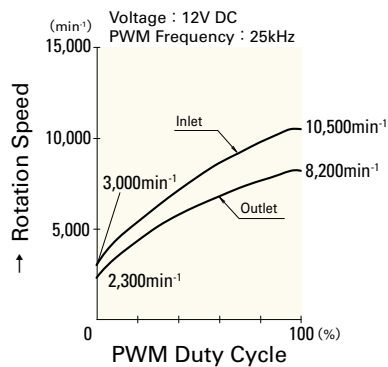


9CR0612P5H03

PWM Duty - Speed Characteristics Example



9CR0612P5G03



9CR0612P5H03

60mm sq.

San Ace 60



General Specifications

- Material Frame: Plastics (Flammability: UL94V-0),
Impeller: Plastics (Flammability: UL94V-1)
- Expected Life Refer to specifications (L10:Survival rate:90% at 60°C ,
rated voltage, and continuously run in a free air state)
- Lead Wire Inlet ⊕red ⊖black (Sensor) yellow (Control) brown
Outlet ⊕orange ⊖gray (Sensor) purple (Control) white
- Storage Temperature -30°C to +70°C (Non-condensing)

60×60×56mm (Mass : 200g) **9CRA type**

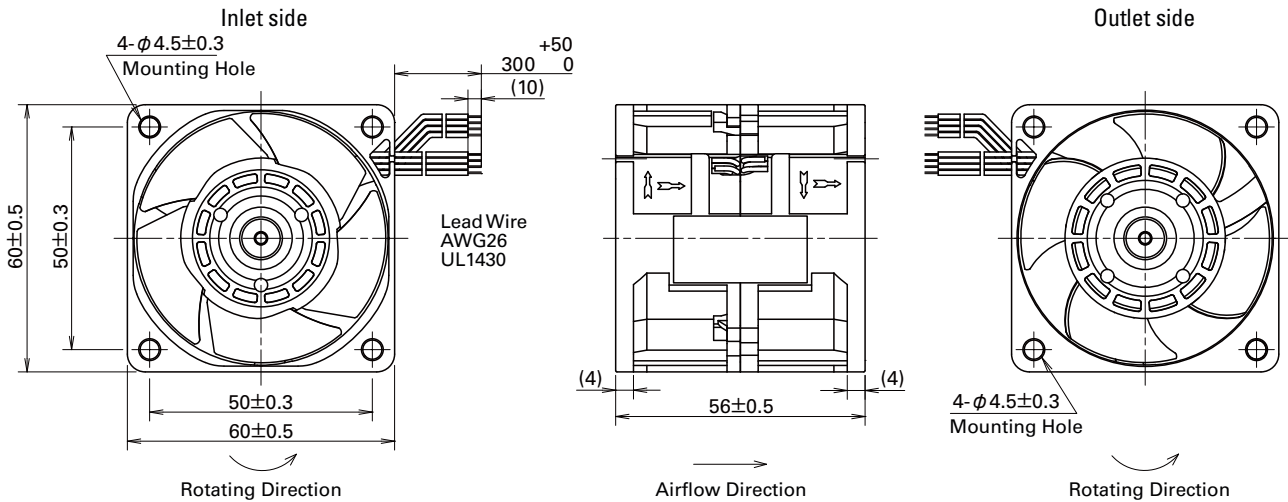
Specifications

The following nos. **have PWM controls and pulse sensors.**

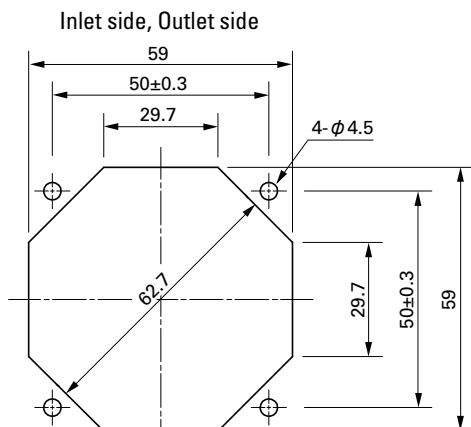
Model No.	Rated Voltage [V]	Operating Voltage Range [V]	PWM duty cycle* [%]	Rated Current [A]	Rated Input [W]	Rated Speed [min ⁻¹]		Max. Airflow [m ³ /min] [CFM]		Max. Static Pressure [Pa] [inchH ₂ O]		SPL [dB(A)]	Operating Temperature [°C]	Expected Life [h]
						Inlet	Outlet							
9CRA0612P6K001	12	10.8 to 13.2	100	3.10	37.2	18,300	15,800	2.28	80.5	1,130	4.54	73	-20 to +70	30,000/60°C
			0	0.17	2.0	3,800	3,300	0.47	16.6	49	0.20	35		
9CRA0612P6J001			100	2.30	27.6	16,800	14,500	2.10	74.2	950	3.82	70		
			0	0.15	1.8	3,800	3,300	0.47	16.6	49	0.20	35		
9CRA0612P6G001			100	1.30	15.6	13,500	11,400	1.65	58.3	620	2.49	65		
			0	0.10	1.2	3,000	2,500	0.36	12.7	31	0.12	29		

*PWM Frequency : 25kHz

Dimensions (unit: mm)



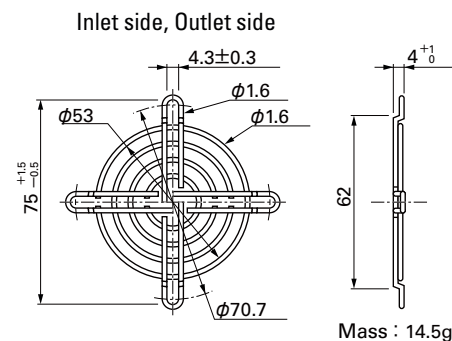
Reference Dimensions of Mounting Holes and Vent Opening (unit: mm)



Options (unit: mm)

Finger Guards

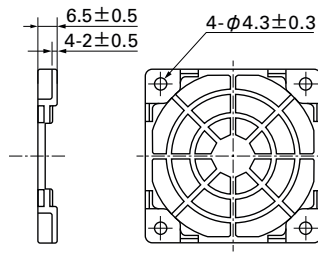
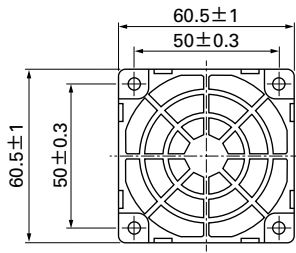
Model : 109-139E Surface treatment : Nickel-chrome plating (silver)
: 109-139H : Cation electropainting (black)



Options (unit: mm)

Resin Finger Guards

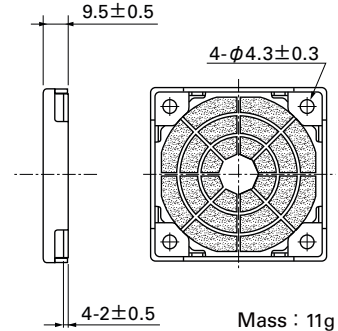
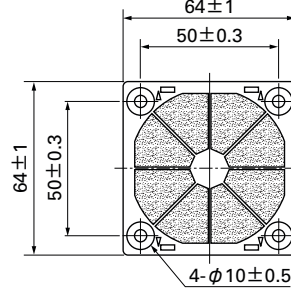
Model : 109-1003G



Mass : 7g

Resin Filter Kits

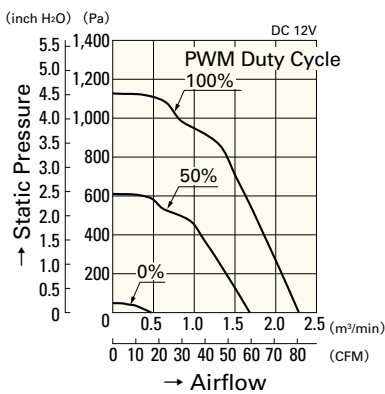
Model : 109-1003F13 (13PPI), 109-1003F20 (20PPI)
: 109-1003F30 (30PPI), 109-1003F40 (40PPI)



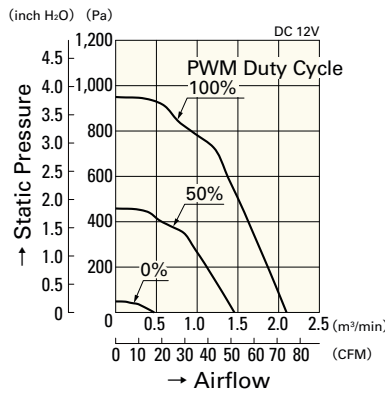
Mass : 11g

Airflow - Static Pressure Characteristics

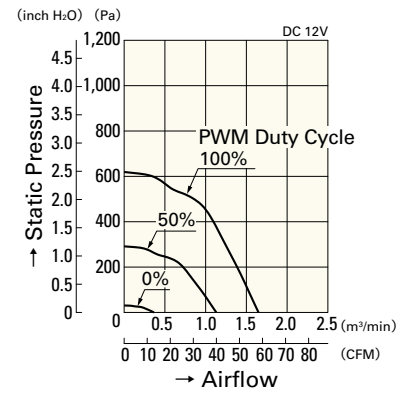
PWM Duty Cycle



9CRA0612P6K001

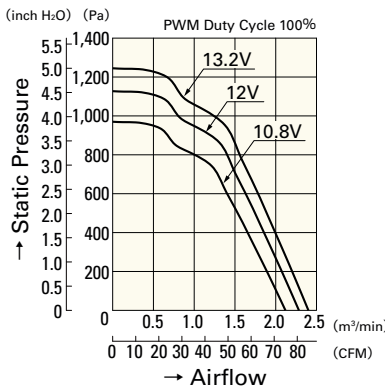


9CRA0612P6J001

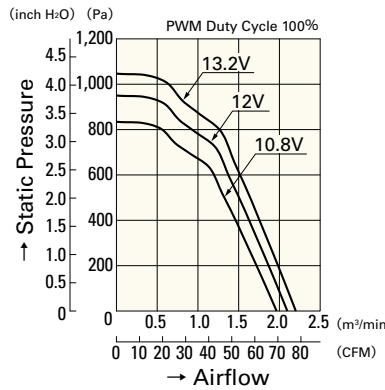


9CRA0612P6G001

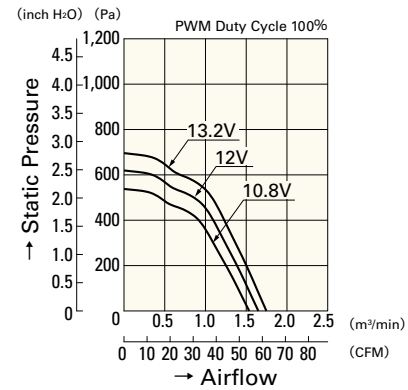
Operating Voltage Range



9CRA0612P6K001

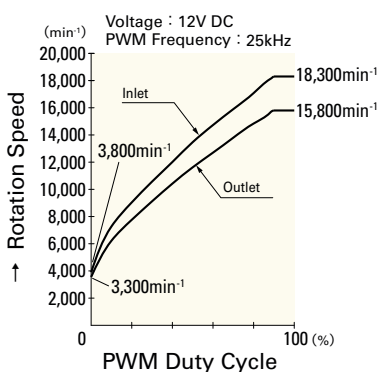


9CRA0612P6J001

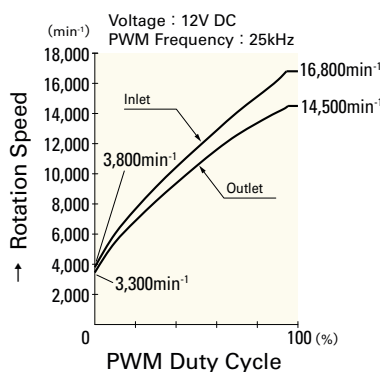


9CRA0612P6G001

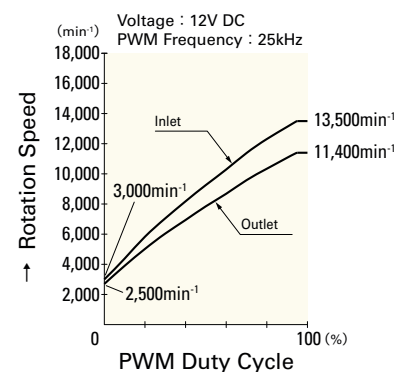
PWM Duty - Speed Characteristics Example



9CRA0612P6K001



9CRA0612P6J001



9CRA0612P6G001

60mm sq.

San Ace 60



General Specifications

- Material Frame: Aluminum,
Impeller: Plastics (Flammability: UL94V-1)
- Expected Life Refer to specifications (L10:Survival rate:90% at 60°C ,
rated voltage, and continuously run in a free air state)
- Lead Wire Inlet ⊕red ⊖black (Sensor) yellow (Control) brown
Outlet ⊕orange ⊖gray (Sensor) purple (Control) white
- Storage Temperature -30°C to +70°C (Non-condensing)

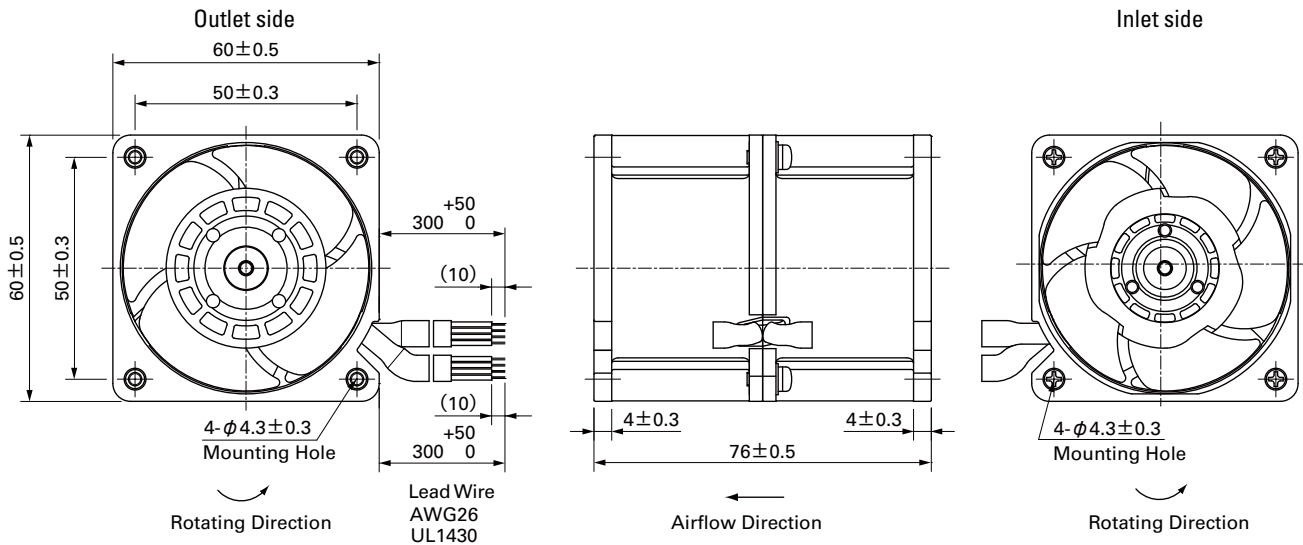
60×60×76mm (Mass : 300g) 9CRE type Low vibration

Specifications The following nos. have PWM controls and pulse sensors.

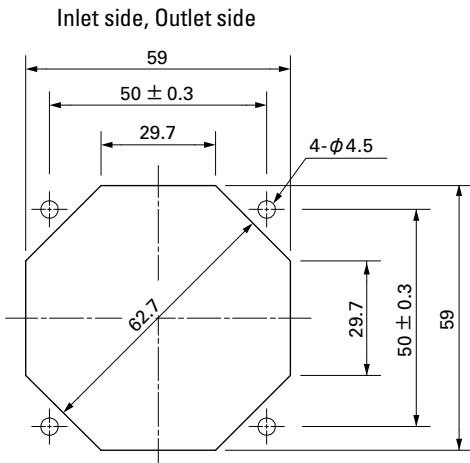
Model No.	Rated Voltage [V]	Operating Voltage Range [V]	PWM duty cycle* [%]	Rated Current [A]	Rated Input [W]	Rated Speed [min ⁻¹] Inlet Outlet	Max. Airflow [m ³ /min] [CFM]	Max. Static Pressure [Pa] [inchH ₂ O]	SPL [dB(A)]	Operating Temperature [°C]	Expected Life [h]
9CRE0612P0G001	12	10.8 to 13.2	100	2.3	27.6	16,500 13,000	2.0 70.6	1,000 4.0	66	-20 to +70	40,000/60°C (70,000/40°C)
			0	0.22	2.7	3,600 2,800	0.43 15.1	47.6 0.19	32		

*PWM Frequency : 25kHz

Dimensions (unit: mm)

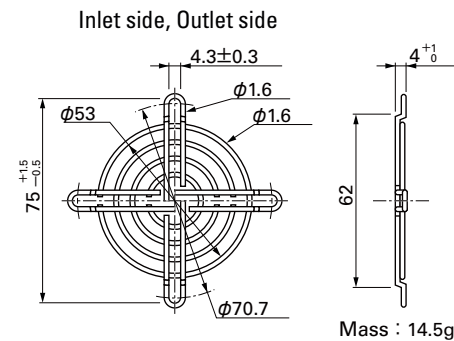


Reference Dimensions of Mounting Holes and Vent Opening (unit: mm)



Options (unit: mm)

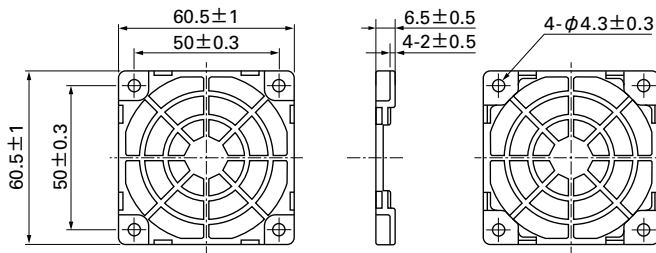
Finger Guards
 Model : 109-139E Surface treatment : Nickel-chrome plating (silver)
 : 109-139H : Cation electropainting (black)



Options (unit: mm)

Resin Finger Guards

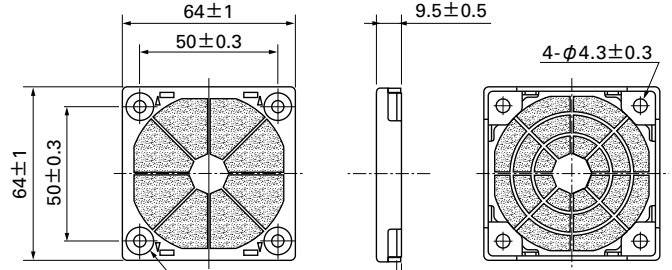
Model : 109-1003G



Mass : 7g

Resin Filter Kits

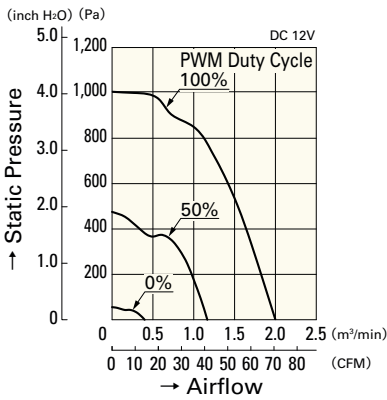
Model : 109-1003F13 (13PPI), 109-1003F20 (20PPI)
: 109-1003F30 (30PPI), 109-1003F40 (40PPI)



Mass : 11g

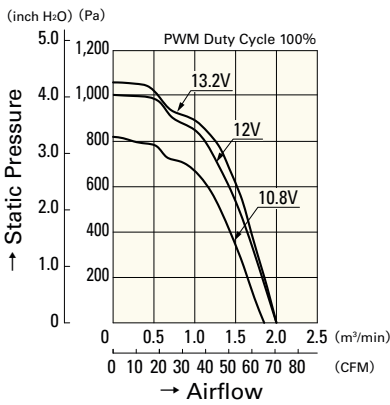
Airflow - Static Pressure Characteristics

PWM Duty Cycle



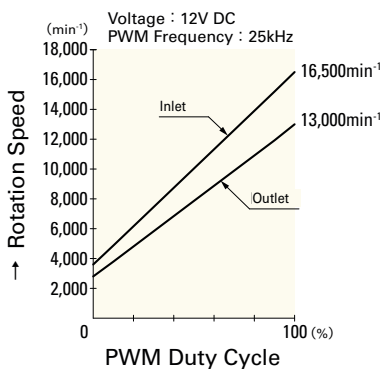
9CRE0612P0G001

Operating Voltage Range



9CRE0612P0G001

PWM Duty - Speed Characteristics Example



9CRE0612P0G001

60mm sq.

San Ace 60



General Specifications

- Material Frame: Plastics (Flammability: UL94V-0),
Impeller: Plastics (Flammability: UL94V-0)
- Expected Life Refer to specifications (L10:Survival rate:90% at 60°C ,
rated voltage, and continuously run in a free air state)
- Lead Wire Inlet ⊕red ⊖black (Sensor) yellow (Control) brown
Outlet ⊕orange ⊖gray (Sensor) purple (Control) white
- Storage Temperature -30°C to +70°C (Non-condensing)

60×60×76mm (Mass : 270g) **9CRA type**

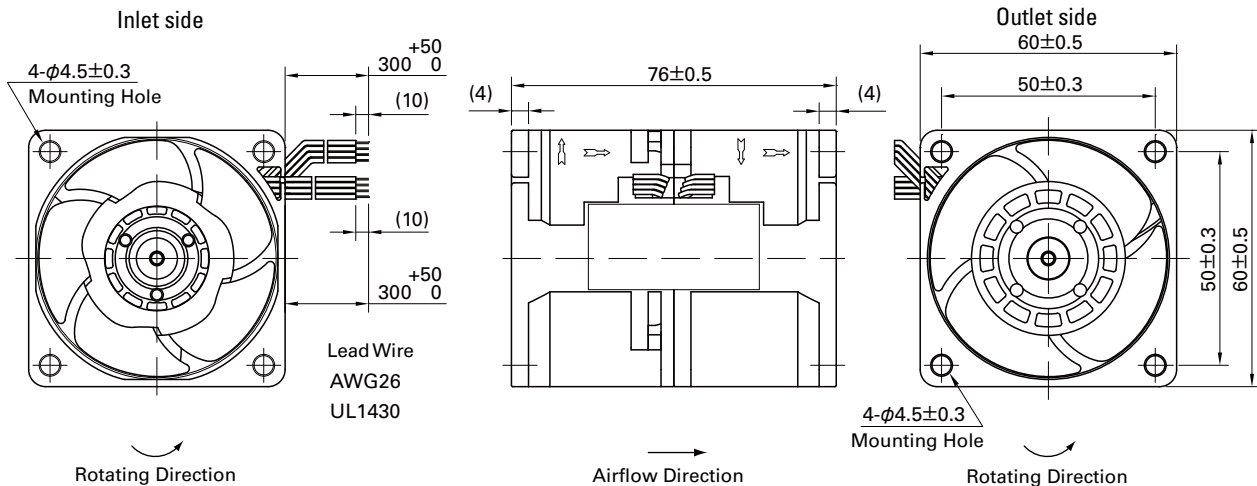
Specifications

The following nos. **have PWM controls and pulse sensors.**

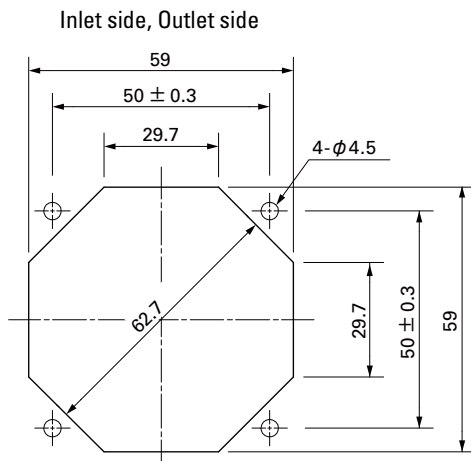
Model No.	Rated Voltage [V]	Operating Voltage Range [V]	PWM duty cycle* [%]	Rated Current [A]	Rated Input [W]	Rated Speed [min ⁻¹]		Max. Airflow [m ³ /min] [CFM]		Max. Static Pressure [Pa] [inchH ₂ O]		SPL [dB(A)]	Operating Temperature [°C]	Expected Life [h]
						Inlet	Outlet							
9CRA0612P0G001	12	10.8 to 13.2	100	2.3	27.6	16,500	13,000	2.0	70.6	1,000	4.0	66	-20 to +70	40,000/60°C (70,000/40°C)
			0	0.22	2.7	3,600	2,800	0.43	15.1	47.6	0.19	32		
9CRA0612P0S001			100	1.5	18.0	14,000	11,000	1.7	60.0	720	2.89	63		
			0	0.17	2.1	3,200	2,500	0.38	13.4	37.6	0.15	29		

*PWM Frequency : 25kHz

Dimensions (unit: mm)



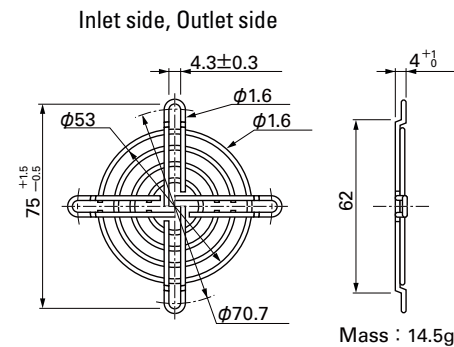
Reference Dimensions of Mounting Holes and Vent Opening (unit: mm)



Options (unit: mm)

Finger Guards

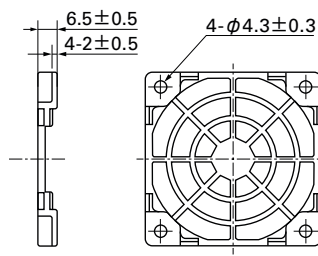
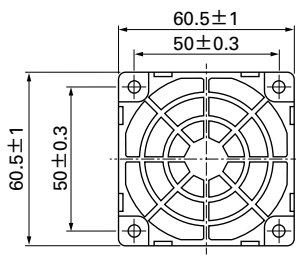
Model : 109-139E Surface treatment : Nickel-chrome plating (silver)
: 109-139H : Cation electropainting (black)



Options (unit: mm)

Resin Finger Guards

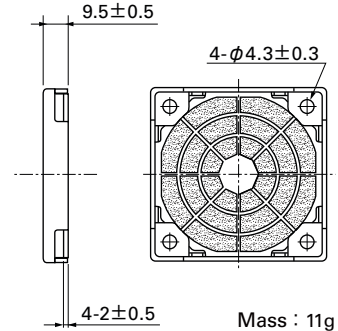
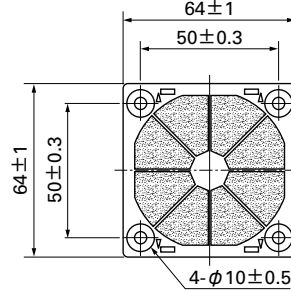
Model : 109-1003G



Mass : 7g

Resin Filter Kits

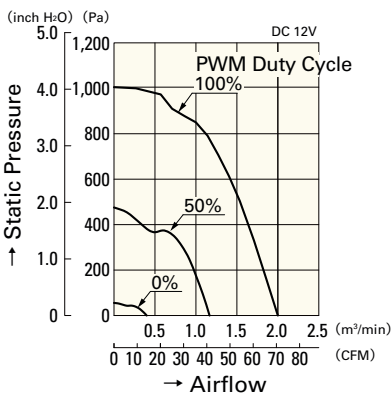
Model : 109-1003F13 (13PPI), 109-1003F20 (20PPI)
: 109-1003F30 (30PPI), 109-1003F40 (40PPI)



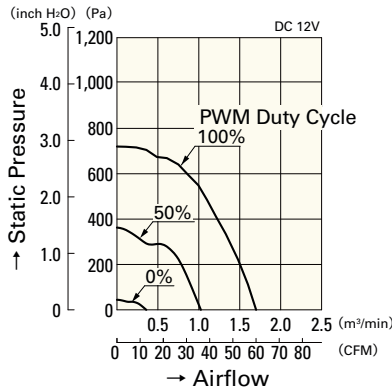
Mass : 11g

Airflow - Static Pressure Characteristics

PWM Duty Cycle

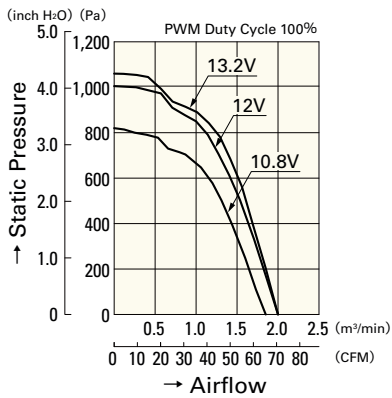


9CRA0612P0G001

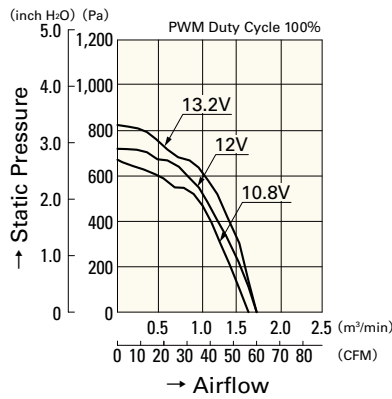


9CRA0612P0S001

Operating Voltage Range

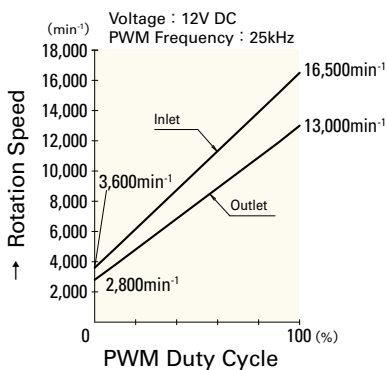


9CRA0612P0G001

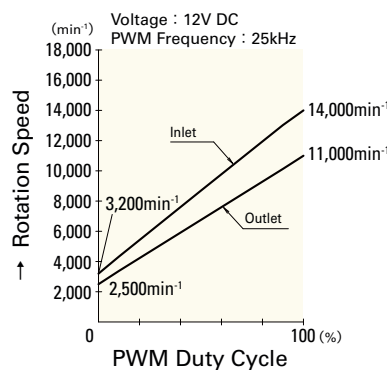


9CRA0612P0S001

PWM Duty - Speed Characteristics Example



9CRA0612P0G001



9CRA0612P0S001

80 mm sq.

San Ace 80



General Specifications

- Material Frame: Plastics (Flammability: UL94V-0),
Impeller: Plastics (Flammability: UL94V-0)
- Expected Life Refer to specifications (L10:Survival rate:90% at 60°C ,
rated voltage, and continuously run in a free air state)
- Lead Wire Inlet ⊕red ⊖black (Sensor) yellow (Control) brown
Outlet ⊕orange ⊖gray (Sensor) purple (Control) white
- Storage Temperature -30°C to +70°C (Non-condensing)

80×80×80 mm (Mass : 430g) **9CRB type**

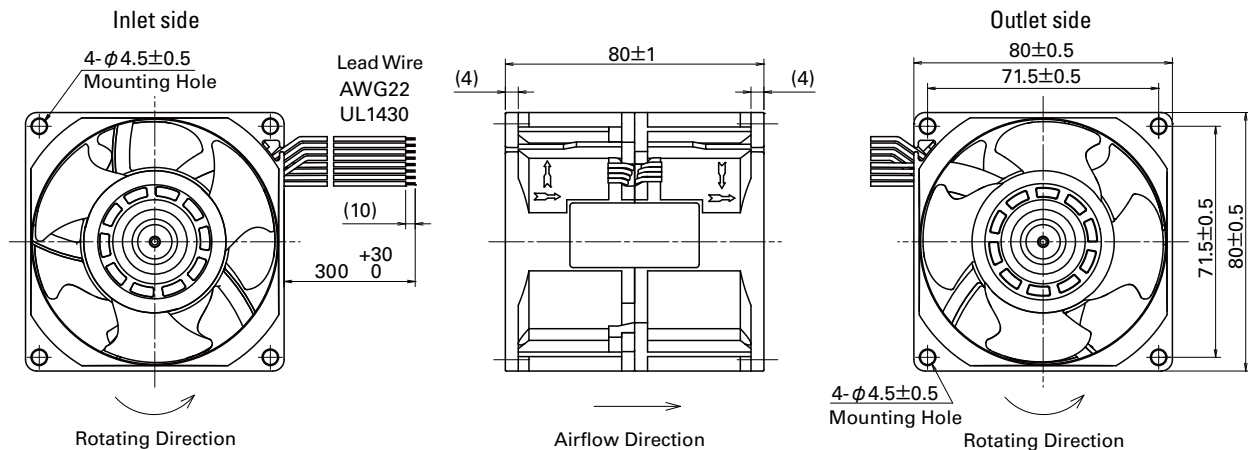
Specifications The following nos. have PWM controls and pulse sensors.

Model No.	Rated Voltage [V]	Operating Voltage Range [V]	PWM duty cycle ^{Note#} [%]	Rated Current [A]	Rated Input [W]	Rated Speed [min ⁻¹]	Max. Airflow [m ³ /min] [CFM]	Max. Static Pressure [Pa] [inchH ₂ O]	SPL [dB(A)]	Operating Temperature [°C]	Expected Life [h]
9CRB0812P8G001	12	10.8 to 13.2	100	9.2	110.4	14,600 12,200	5.5 194	1,150 4.6	80	-20 to +70	40,000/60°C (70,000/40°C)
			20	0.17	2.04	2,000 1,670	0.7 24.7	21.6 0.09	24		

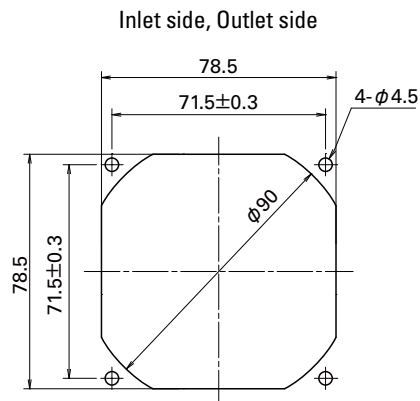
Note: Fan does not rotate when PWM duty cycle is 0%.

※PWM Frequency : 25kHz

Dimensions (unit: mm)



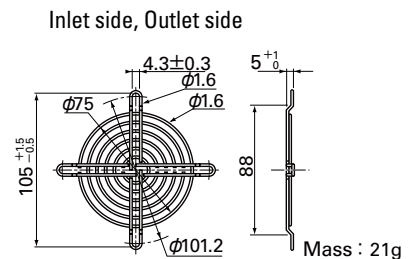
Reference Dimensions of Mounting Holes and Vent Opening (unit: mm)



Options (unit: mm)

Finger Guards

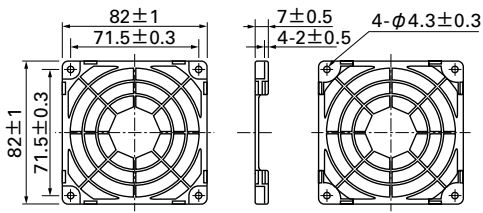
Model : 109-049E Surface treatment : Nickel-chrome plating (silver) Color
: 109-049H : Cation electropainting (black)



Options (unit: mm)

Resin Finger Guards

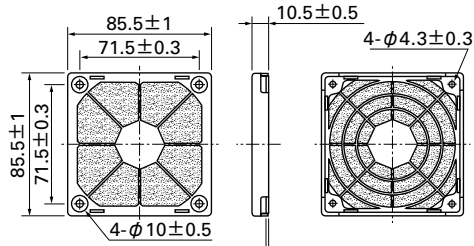
Model : 109-1002G



Mass : 10g

Resin Filter Kits

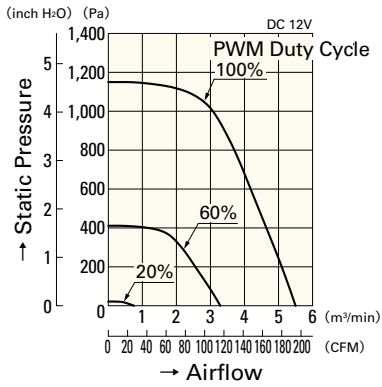
Model : 109-1002F13 (13PPI), 109-1002F20 (20PPI)
: 109-1002F30 (30PPI), 109-1002F40 (40PPI)



Mass : 19g

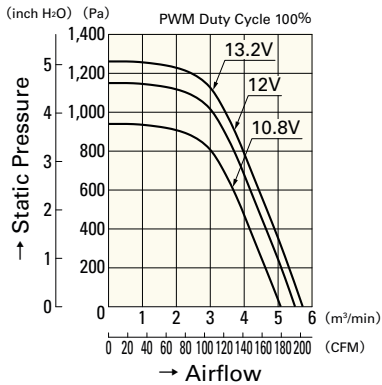
Airflow - Static Pressure Characteristics

PWM Duty Cycle



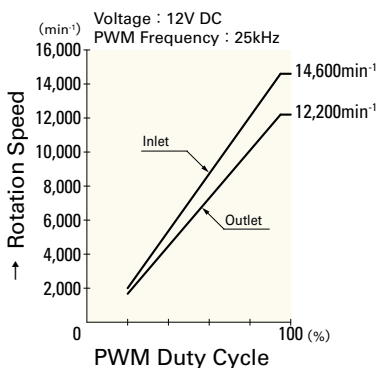
9CRB0812P8G001

Operating Voltage Range



9CRB0812P8G001

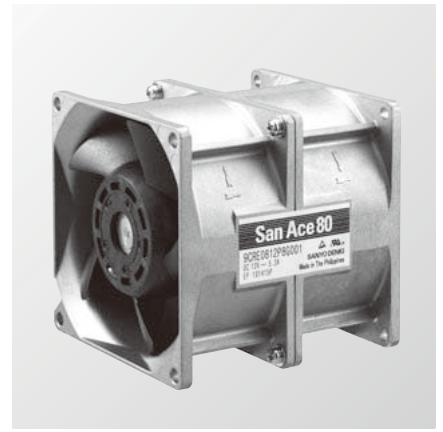
PWM Duty - Speed Characteristics Example



9CRB0812P8G001

80mm sq.

San Ace 80L



General Specifications

- Material Frame: Aluminum,
Impeller: Plastics (Flammability: UL94V-1)
- Expected Life Refer to specifications (L10:Survival rate:90% at 60°C ,
rated voltage, and continuously run in a free air state)
- Lead Wire Inlet ⊕red ⊖black (Sensor) yellow (Control) brown
Outlet ⊕orange ⊖gray (Sensor) purple (Control) white
- Storage Temperature -30°C to +70°C (Non-condensing)

80×80×80mm (Mass : 490g) **9CRE type** **Low vibration**

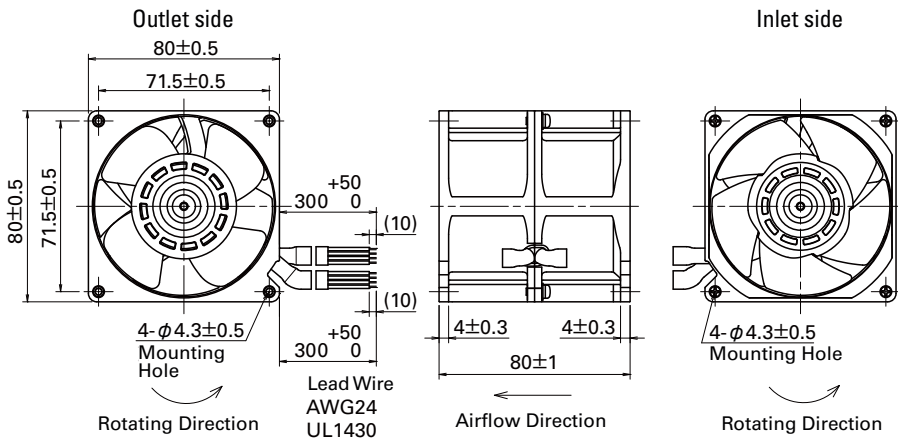
Specifications

The following nos. **have PWM controls and pulse sensors.**

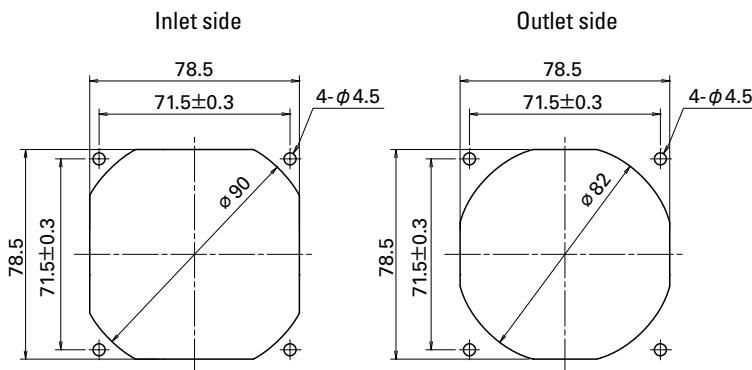
Model No.	Rated Voltage [V]	Operating Voltage Range [V]	PWM duty cycle* [%]	Rated Current [A]	Rated Input [W]	Rated Speed [min ⁻¹]		Max. Airflow [m ³ /min] [CFM]		Max. Static Pressure [Pa] [inchH ₂ O]		SPL [dB(A)]	Operating Temperature [°C]	Expected Life [h]
						Inlet	Outlet							
9CRE0812P8G001	12	10.8 to 13.2	100	5.3	63.6	12,000	11,300	4.5	158.9	1,150	4.62	76	-20 to +70	40,000/60°C (70,000/40°C)
			0	0.2	2.4	2,000	1,900	0.74	26.1	31.9	0.130	30		

*PWM Frequency : 25kHz

Dimensions (unit: mm)



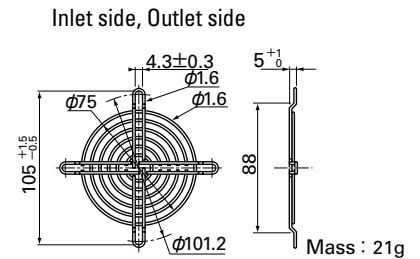
Reference Dimensions of Mounting Holes and Vent Opening (unit: mm)



Options (unit: mm)

Finger Guards

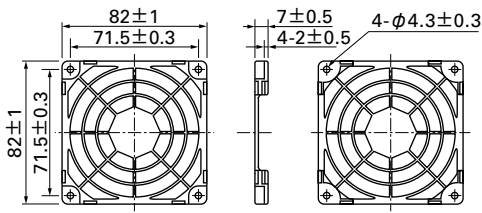
Model : 109-049E Surface treatment : Nickel-chrome plating (silver)
: 109-049H : Cation electropainting (black)



Options (unit: mm)

Resin Finger Guards

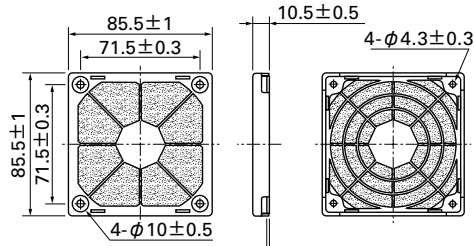
Model : 109-1002G



Mass : 10g

Resin Filter Kits

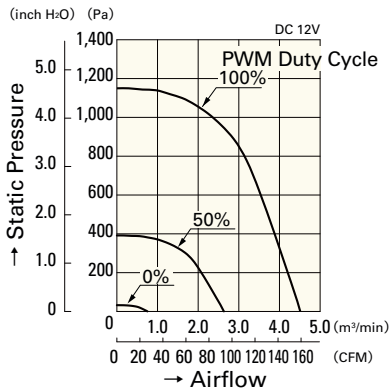
Model : 109-1002F13 (13PPI), 109-1002F20 (20PPI)
: 109-1002F30 (30PPI), 109-1002F40 (40PPI)



Mass : 19g

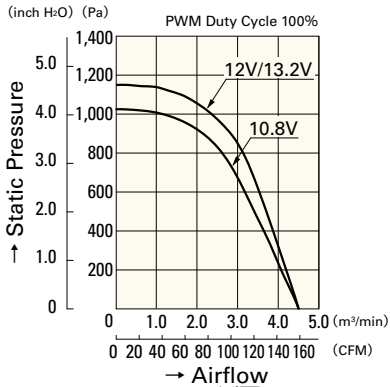
Airflow - Static Pressure Characteristics

PWM Duty Cycle



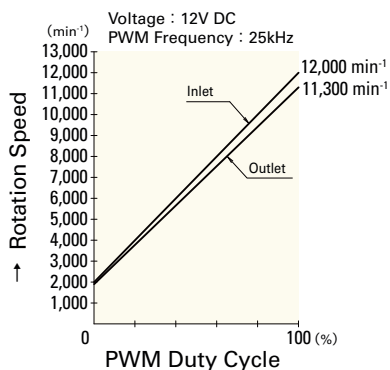
9CRE0812P8G001

Operating Voltage Range



9CRE0812P8G001

PWM Duty - Speed Characteristics Example



9CRE0812P8G001

80mm sq.

San Ace 80



General Specifications

- Material Frame: Plastics (Flammability: UL94V-0),
Impeller: Plastics (Flammability: UL94V-0)
- Expected Life Refer to specifications (L10:Survival rate:90% at 60°C ,
rated voltage, and continuously run in a free air state)
- Lead Wire Inlet ⊕red ⊖black (Sensor) yellow (Control) brown
Outlet ⊕orange ⊖gray (Sensor) purple (Control) white
- Storage Temperature -30°C to +70°C (Non-condensing)

80×80×80mm (Mass : 450g) **9CRA type**

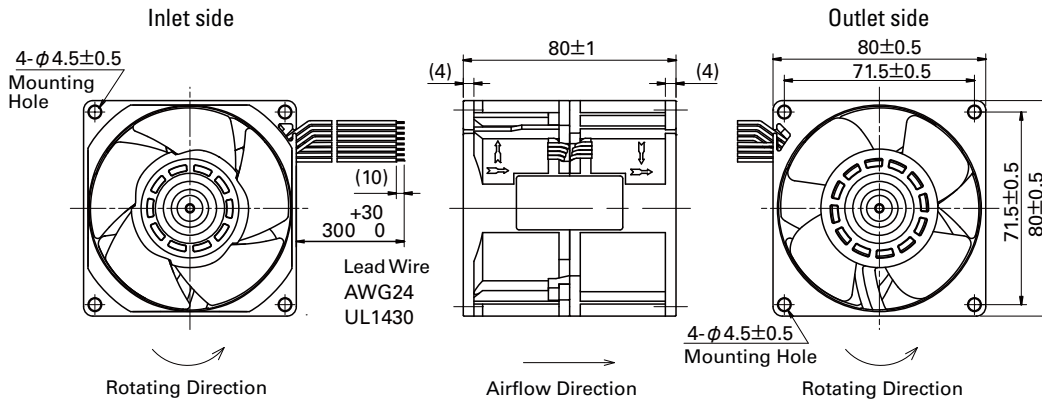
Specifications The following nos. have PWM controls and pulse sensors.

Model No.	Rated Voltage [V]	Operating Voltage Range [V]	PWM duty cycle* [%]	Rated Current [A]	Rated Input [W]	Rated Speed [min ⁻¹]		Max. Airflow [m ³ /min] [CFM]		Max. Static Pressure [Pa] [inchH ₂ O]		SPL [dB(A)]	Operating Temperature [°C]	Expected Life [h]
						Inlet	Outlet							
9CRA0812P8G001	12	10.8 to 13.2	100	5.3	63.6	12,000	11,300	4.5	158.9	1,150	4.62	76	-20 to +70	40,000/60°C (70,000/40°C)
			0	0.2	2.4	2,000	1,900	0.74	26.1	31.9	0.13	30		
9CRA0824P8G001	24	21.6 to 26.4	100	2.65	63.6	12,000	11,300	4.5	158.9	1,150	4.62	76		
			0	0.09	2.16	2,000	1,900	0.74	26.1	31.9	0.13	30		
9CRA0848P8G001	48	40.8 to 55.2	100	1.32	63.4	12,000	11,300	4.5	158.9	1,150	4.62	76		
			0	0.29	13.9	5,000	4,700	1.88	66.2	200	0.80	52		

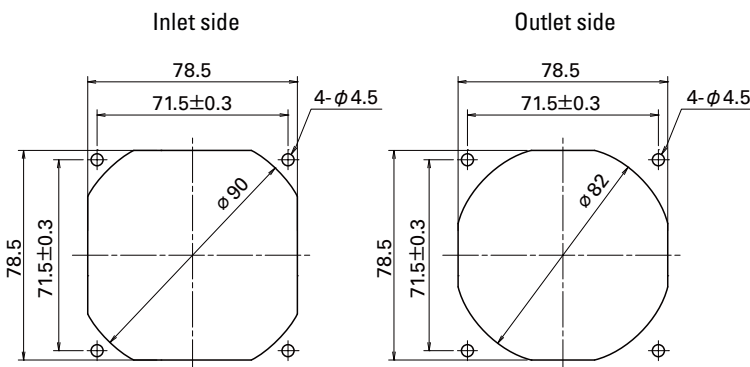
*PWM Frequency : 25kHz

Other sensor specifications are available as options. Please refer to the index (p. 501).

Dimensions (unit: mm)



Reference Dimensions of Mounting Holes and Vent Opening (unit: mm)

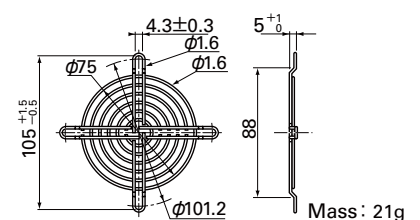


Options (unit: mm)

Finger Guards

Model : 109-049E Surface treatment : Nickel-chrome plating (silver)
: 109-049H : Cation electropainting (black)

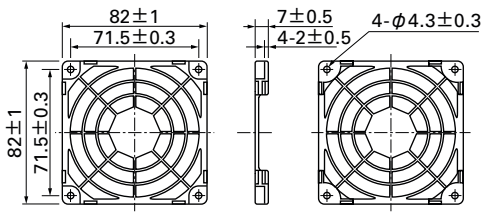
Inlet side, Outlet side



Options (unit: mm)

Resin Finger Guards

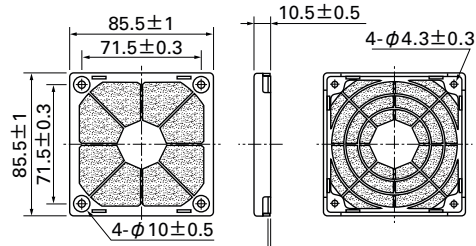
Model : 109-1002G



Mass : 10g

Resin Filter Kits

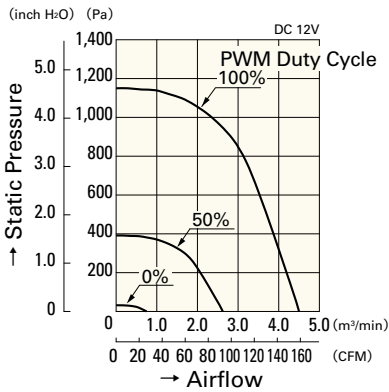
Model : 109-1002F13 (13PPI), 109-1002F20 (20PPI)
: 109-1002F30 (30PPI), 109-1002F40 (40PPI)



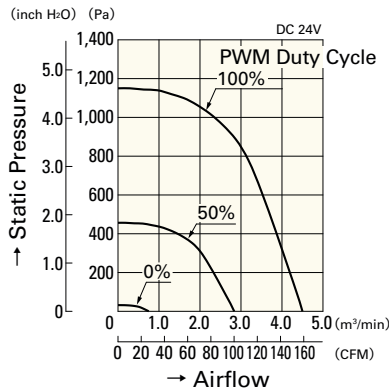
Mass : 19g

Airflow - Static Pressure Characteristics

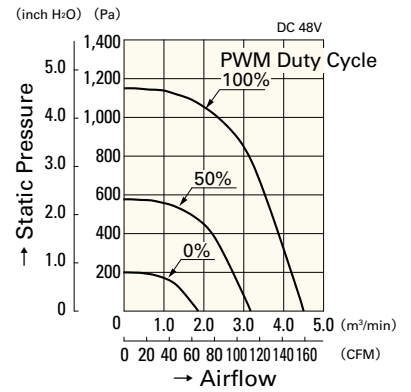
PWM Duty Cycle



9CRA0812P8G001

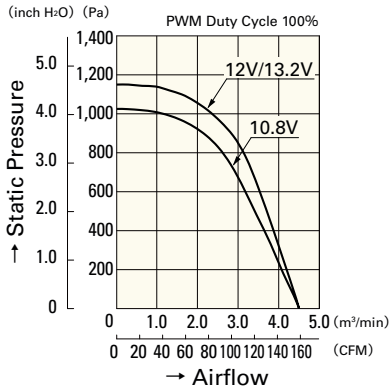


9CRA0824P8G001

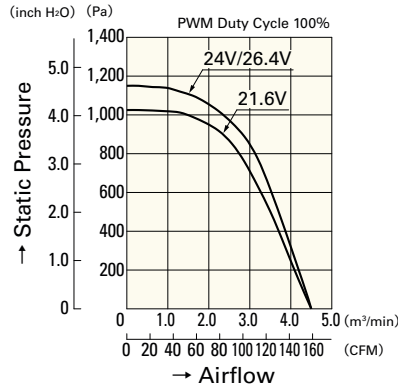


9CRA0848P8G001

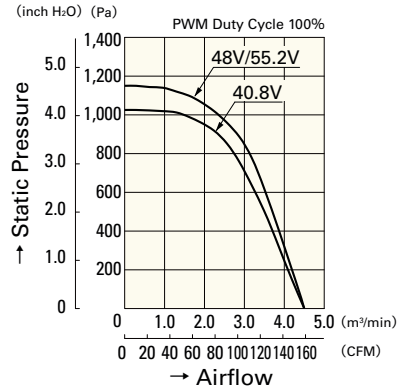
Operating Voltage Range



9CRA0812P8G001

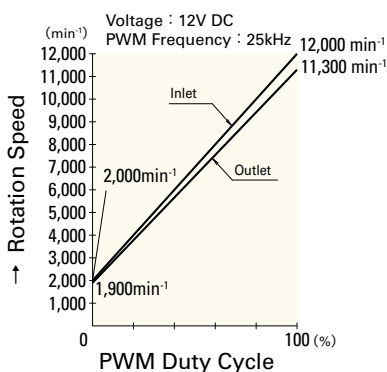


9CRA0824P8G001

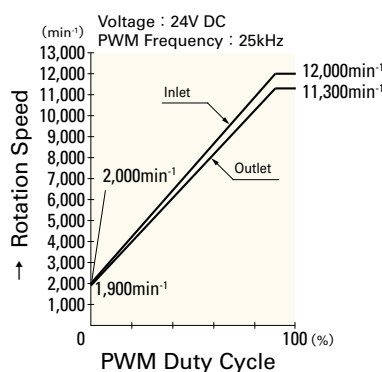


9CRA0848P8G001

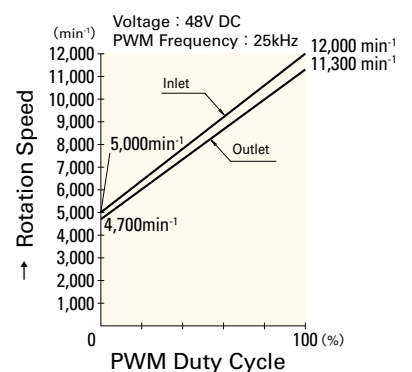
PWM Duty - Speed Characteristics Example



9CRA0812P8G001



9CRA0824P8G001



9CRA0848P8G001

92mm sq.

San Ace 92



General Specifications

- Material Frame: Plastics (Flammability: UL94V-0),
Impeller: Plastics (Flammability: UL94V-0)
- Expected Life Refer to specifications (L10:Survival rate:90% at 60°C ,
rated voltage, and continuously run in a free air state)
- Lead Wire Inlet ⊕red ⊖black (Sensor) yellow (Control) brown
Outlet ⊕orange ⊖gray (Sensor) purple (Control) white
- Storage Temperature -30°C to +70°C (Non-condensing)

92×92×76mm (Mass : 510g) **9CRA type**

Specifications

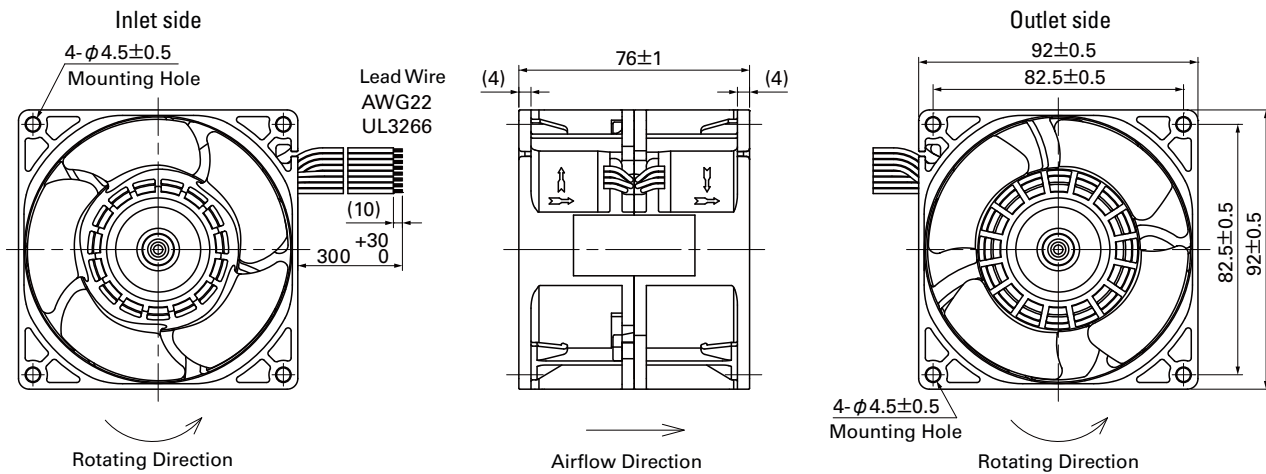
The following nos. **have PWM controls and pulse sensors.**

Model No.	Rated Voltage [V]	Operating Voltage Range [V]	PWM duty cycle ^{*)} [%]	Rated Current [A]	Rated Input [W]	Rated Speed [min ⁻¹]		Max. Airflow [m ³ /min] [CFM]		Max. Static Pressure [Pa] [inchH ₂ O]		SPL [dB(A)]	Operating Temperature [°C]	Expected Life [h]
						Inlet	Outlet							
9CRA0912P0G001	12	10.2 to 13.2	100	9.0	108.0	13,300	12,200	5.8	205	1,650	6.63	81	-20 to +70	40,000/60°C (70,000/40°C)
			20	0.42	5.04	3,500	3,200	1.48	52.3	140	0.56	47		
9CRA0948P0G601	48	36 to 60	100	2.2	105.6	13,300	12,200	5.8	205	1,650	6.63	81	-20 to +70	40,000/60°C (70,000/40°C)
			20	0.15	7.20	3,500	3,200	1.48	52.3	140	0.56	47		

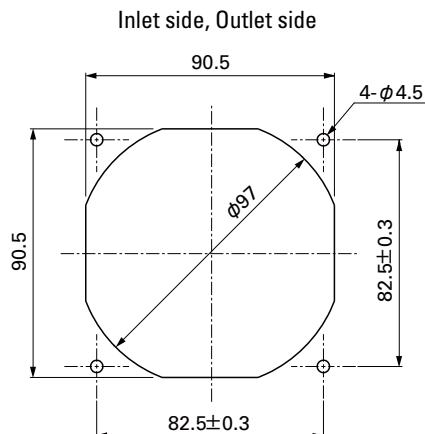
Note: Fan does not rotate when PWM duty cycle is 0%.

*)PWM Frequency : 25kHz

Dimensions (unit: mm)



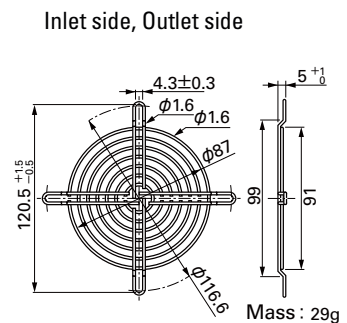
Reference Dimensions of Mounting Holes and Vent Opening (unit: mm)



Options (unit: mm)

Finger Guards

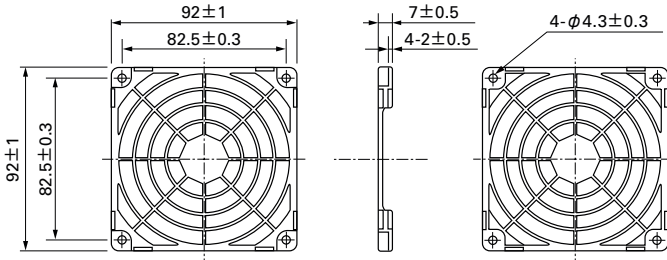
Model : 109-099E Surface treatment : Nickel-chrome plating (silver)
: 109-099H : Cation electropainting (black)



Options (unit: mm)

Resin Finger Guards

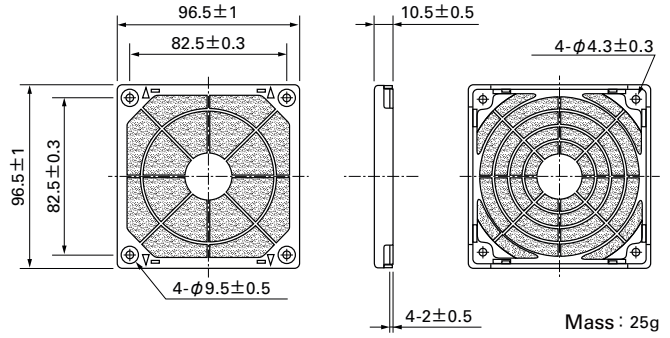
Model : 109-1001G



Mass : 12g

Resin Filter Kits

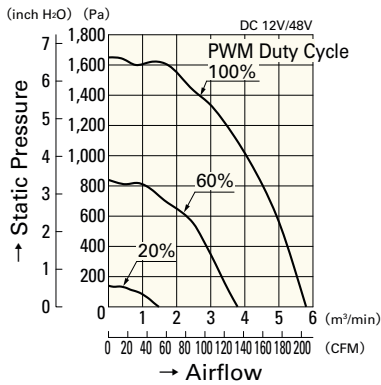
Model : 109-1001F13 (13PPI), 109-1001F20 (20PPI)
: 109-1001F30 (30PPI), 109-1001F40 (40PPI)



Mass : 25g

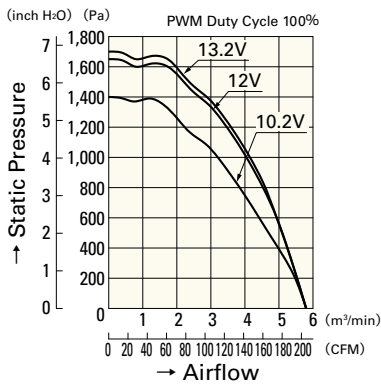
Airflow - Static Pressure Characteristics

PWM Duty Cycle

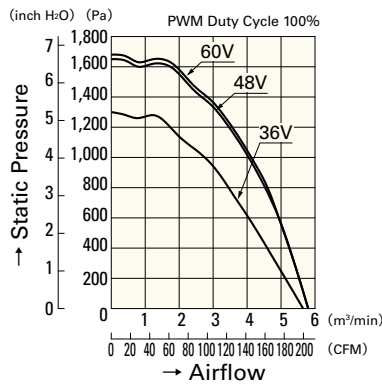


9CRA0912P0G001
9CRA0948P0G601

Operating Voltage Range

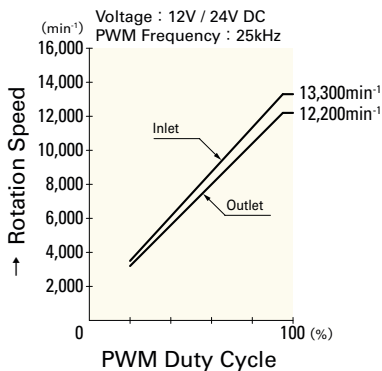


9CRA0912P0G001



9CRA0948P0G601

PWM Duty - Speed Characteristics Example



9CRA0912P0G001
9CRA0948P0G601

120mm sq.

San Ace 120



General Specifications

- Material Frame: Plastics (Flammability: UL94V-0),
Impeller: Plastics (Flammability: UL94V-1)
- Expected Life Refer to specifications (L10:Survival rate:90% at 60°C ,
rated voltage, and continuously run in a free air state)
- Lead Wire Inlet ⊕red ⊖black (Sensor) yellow (Control) brown
Outlet ⊕orange ⊖gray (Sensor) purple (Control) white
- Storage Temperature -30°C to +70°C (Non-condensing)

120×120×76mm (Mass : 670g) **9CR type**

Specifications

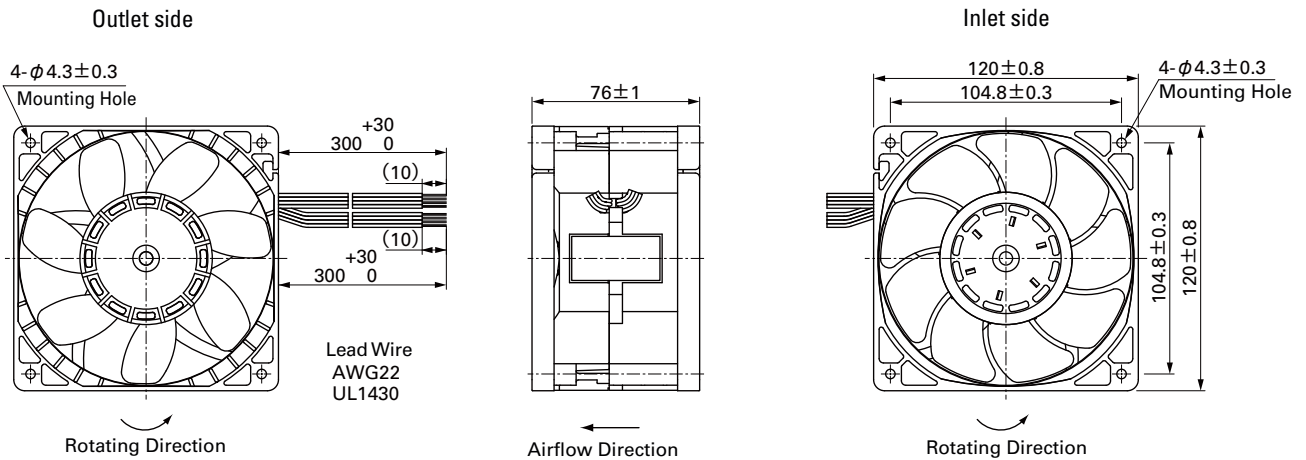
The following nos. **have PWM controls and pulse sensors.**

Model No.	Rated Voltage [V]	Operating Voltage Range [V]	PWM duty cycle* [%]	Rated Current [A]	Rated Input [W]	Rated Speed [min ⁻¹]		Max. Airflow [m ³ /min] [CFM]		Max. Static Pressure [Pa] [inchtH ₂ O]		SPL [dB(A)]	Operating Temperature [°C]	Expected Life [h]
						Inlet	Outlet							
9CR1212P0G03	12	10.8 to 13.2	100	7.2	86.4	6,200	3,800	8.5	300	480	1.93	70	-20 to +60	40,000/60°C
			0	1.1	13.2	2,700	1,800	3.8	134	95	0.38	51		

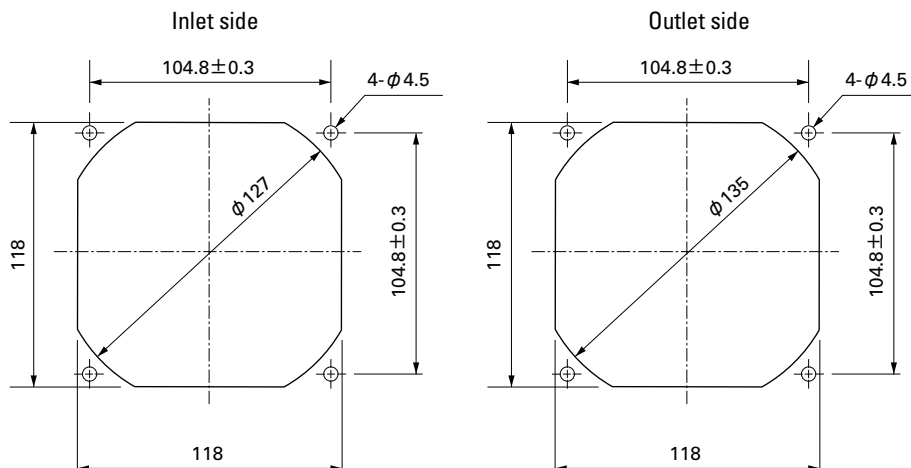
*PWM Frequency : 25kHz

Other sensor specifications are available as options. Please refer to the index (p. 501).

Dimensions (unit: mm)



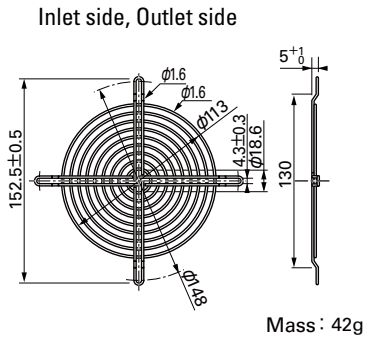
Reference Dimensions of Mounting Holes and Vent Opening (unit: mm)



Options (unit: mm)

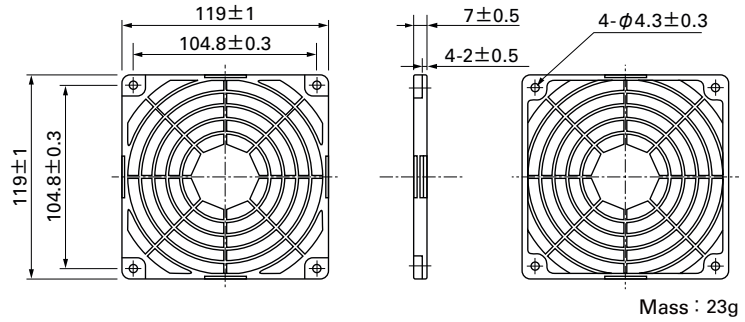
Finger Guards

Model : 109-019E Surface treatment : Nickel-chrome plating (silver) Color : 109-019K : Cation electropainting (black)



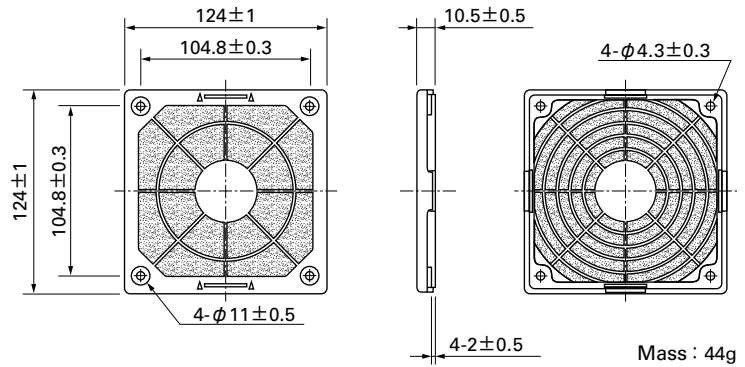
Resin Finger Guards

Model : 109-1000G



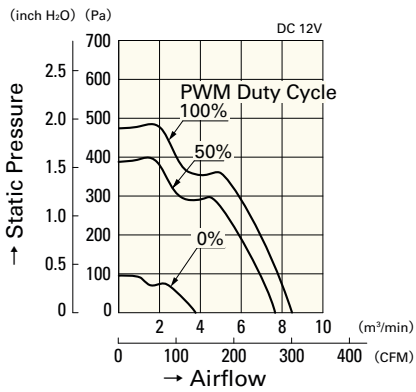
Resin Filter Kits

Model : 109-1000F13 (13PPI), 109-1000F20 (20PPI) : 109-1000F30 (30PPI), 109-1000F40 (40PPI)



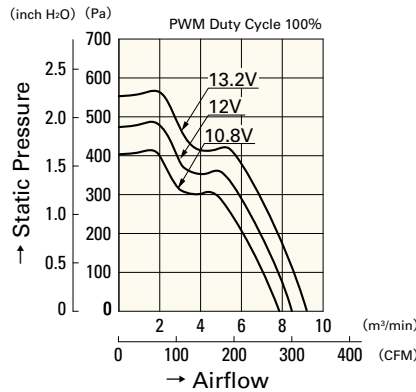
Airflow - Static Pressure Characteristics

PWM Duty Cycle



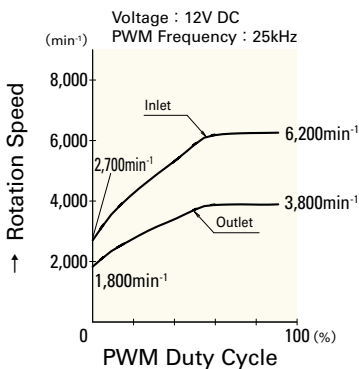
9CR1212P0G03

Operating Voltage Range



9CR1212P0G03

PWM Duty Speed Characteristics Example



9CR1212P0G03

φ172_{mm}

San Ace 172



General Specifications

- Material Frame: Aluminum, Impeller: Plastics (Flammability: UL94V-0)
- Expected Life Refer to specifications (L10:Survival rate:90% at 60°C , rated voltage, and continuously run in a free air state)
- Lead Wire Inlet ⊕red ⊖black (Sensor) yellow (Control) brown
Outlet ⊕orange ⊖gray (Sensor) purple (Control) white
- Storage Temperature -30°C to +70°C (Non-condensing)

φ172mm × 150mm × 102mm (Mass : 1,600g) **9CR type**

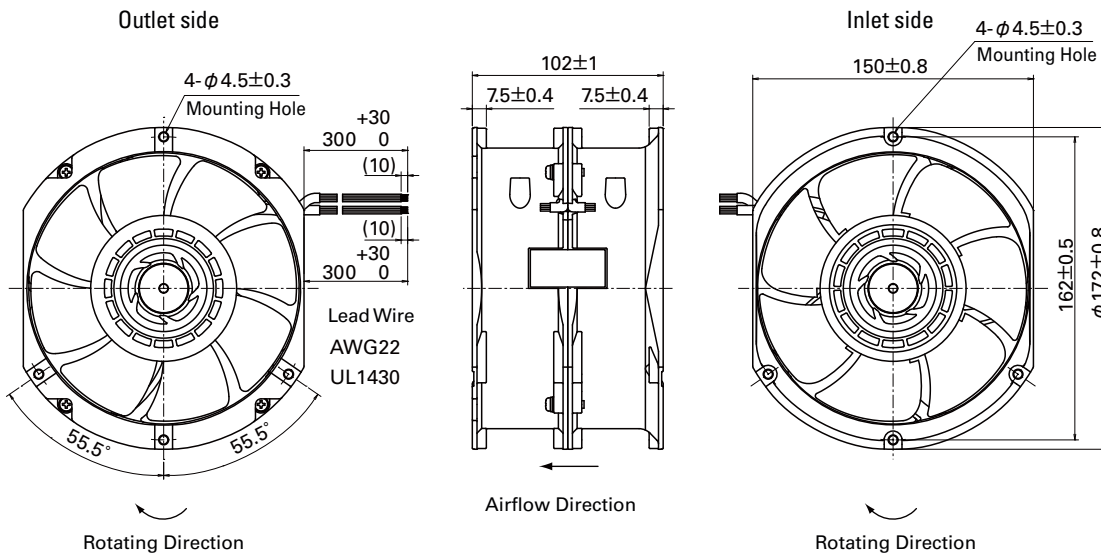
Specifications

The following nos. **have PWM controls and pulse sensors.**

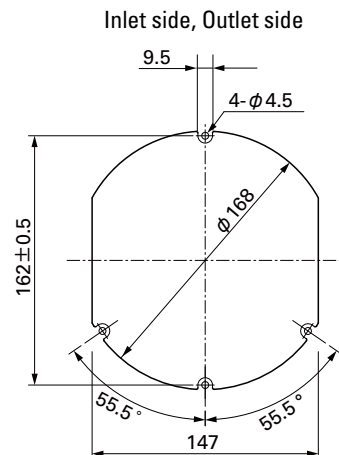
Model No.	Rated Voltage [V]	Operating Voltage Range [V]	PWM duty cycle* [%]	Rated Current [A]	Rated Input [W]	Rated Speed [min ⁻¹]		Max. Airflow [m ³ /min] [CFM]		Max. Static Pressure [Pa] [inchH ₂ O]		SPL [dB(A)]	Operating Temperature [°C]	Expected Life [h]
						Inlet	Outlet							
9CR5748P9G001	48	36 to 72	100	5.5	264	7,300	6,400	18	636	1,400	5.62	83	-20 to +70	40,000/60°C
			0	0.5	24	2,400	1,900	5.5	194.3	152	0.61	54		

*PWM Frequency : 25kHz

Dimensions (unit: mm)



Reference Dimensions of Mounting Holes and Vent Opening (unit: mm)

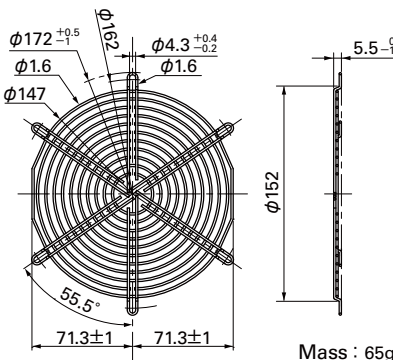


Options (unit: mm)

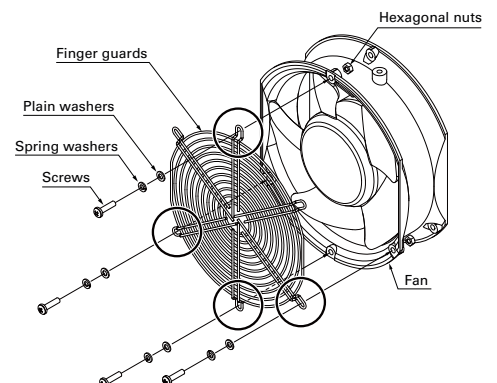
Finger Guards

Model : 109-319J Color Surface treatment : Nickel-chrome plating (silver)

Inlet side, Outlet side



Finger guard 109-319J should be mounted with four holes as in the drawing.



Options (unit: mm)

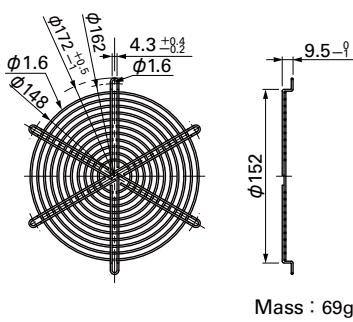
Finger Guards

Model : 109-319E Surface treatment : Nickel-chrome plating (silver)
 : 109-319H : Cation electropainting (black)

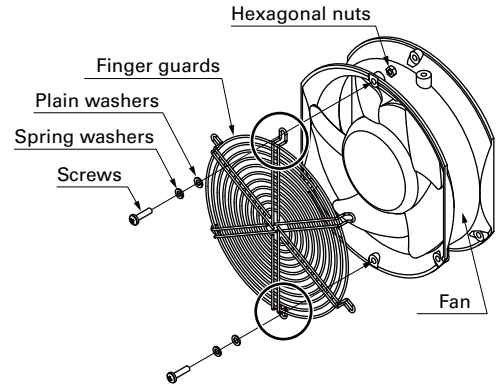
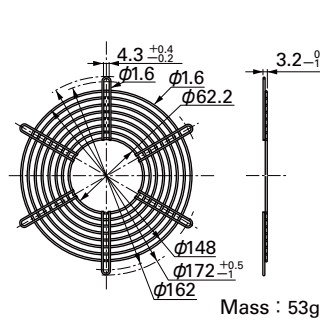
Model : 109-320 Surface treatment : Nickel-chrome plating (silver)

Finger guards 109-319E, 109-319H, and 109-320 should be mounted with two holes as in the drawing and do not use any other holes.

Inlet side, Outlet side

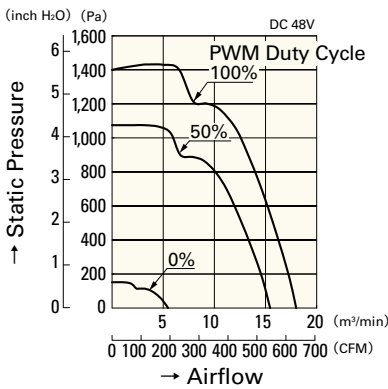


Outlet side



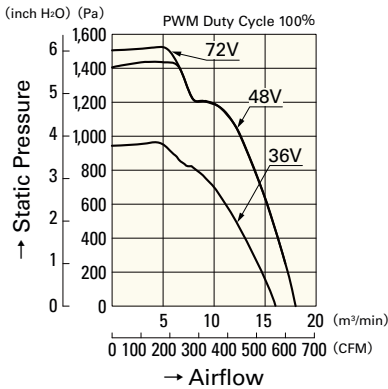
Airflow - Static Pressure Characteristics

PWM Duty Cycle



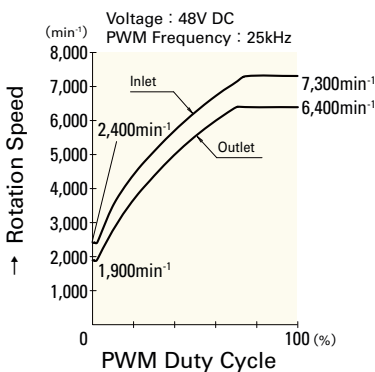
9CR5748P9G001

Operating Voltage Range



9CR5748P9G001

PWM Duty - Speed Characteristics Example

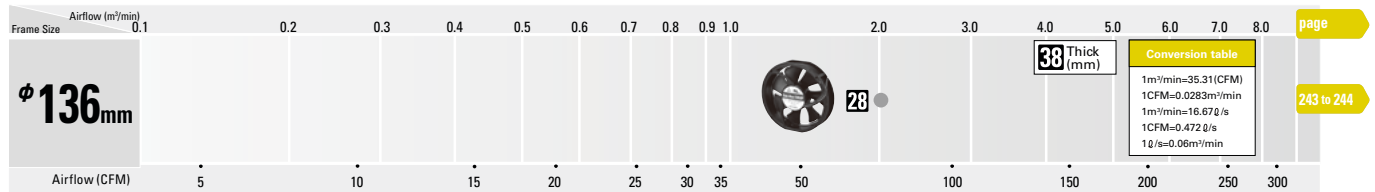


9CR5748P9G001

Reversible Flow Fan

The wind directions can be switched with these fans. Equivalent cooling performance can be obtained in both directions.

Domain Diagram



Model Numbering System

Not every combination of the following codes or characters is available. Contact us for an available combination.

9RF	13	12	P	3	H	001
Type name / frame material 9RF / Plastics	Frame size 13 : $\phi 136\text{mm}$	Voltage 12 : 12V 24 : 24V	PWM control function	Frame thickness 3 : 28mm thick	Speed code	Individual customer's spec

How to Read Specifications

DC Fan											DC	
Model No.	① Rated Voltage [V]	② Operating Voltage Range [V]	③ Rated Current [A]	④ Rated Input [W]	⑤ Rated Speed [min ⁻¹]	⑥ Max. Airflow [m ³ /min] [CFM]		⑦ Max. Static Pressure [Pa] [inchH ₂ O]		⑧ SPL [dB(A)]	⑨ Operating Temperature [°C]	⑩ Expected Life [h]
9GA0412G7001	12	7 to 13.8	0.17	2.04	13,100	0.36	12.7	192	0.77	42	-20 to +70	40,000/60°C (70,000/40°C)

- ① Rated Voltage This is the necessary voltage to drive the fan. 12VDC, 24VDC and 48VDC are available.
- ② Operating Voltage Range... The voltage range over which fan operation is guaranteed
- ③ Rated Current The current value during the fan's rated operation without load
- ④ Rated Input The input value during the fan's rated operation without load
- ⑤ Rated Speed The rotating speed during the fan's rated operation without load
- ⑥ Max. Airflow The maximum air volume that the fan can output during rated operation (according to the company's dual-chamber device).
The volume of air generated by the fan in a given time period
- ⑦ Max. Static Pressure The maximum static pressure value that the fan can output during rated operation (according to the company's dual-chamber device). The static pressure is the fan's force to propel air by overcoming the resistance of the device that uses the fan when it propels air.
- ⑧ SPL..... "SPL" is Sound Pressure Level. The noise level during the fan's rated operation.
Please refer to the technical material section for the method used to measure the noise level.
- ⑨ Operating Temperature The temperature range over which fan operation is guaranteed (Non- condensing)
- ⑩ Expected Life The fan's expected operating life when the fan operates continuously at the rated voltage at a temperature of 60°C and at relative humidity of 90%. Expected life at 40°C ambient is just reference value.
Please refer to the technical material section for the expected operating life.

DC Fan Common Specifications

Material Frame,Impeller:Plastics / Frame:Aluminum,Impeller:Plastics

* For details, refer to the appropriate page.

Expected LifeVaries for each model (L10:Survival rate:90% at 60°C ,rated voltage, and continuously run in a free air state)

* Splash proof fan: Varies for each model (Indoor, L10:Survival rate:90% at 60°C ,rated voltage, and continuously run in a free air state)

Motor Protection Burnout protection at locked rotor condition and Reverse polarity protection

Dielectric StrengthAC50/60Hz 500VAC 1minute(between lead conductor and frame)

Insulation Resistance10M Ω or more at 500VDC megger (between lead conductor and frame)

Sound Pressure Level(SPL) ..Expressed as the value at 1m from air inlet side

Lead WireFor details, refer to the appropriate page.

Overheating protection function

Protection Functions:

If the fan blades are restricted, an overcurrent occurs and leads to a rise in the fan coil temperature. This can result in reduced performance, damage, or a fire. To prevent this from occurring, SANYO DENKI's fans incorporate an overheating protection function. Refer to the catalog for the types of protection functions.

Burnout protection function at locked rotor condition

- Current cutoff system

If the fan blades are restricted, the coil current is cut off at regular cycles to prevent overheating of the coil. When the hindrance is removed, the fan restarts automatically.

Reverse polarity protection function

No problem about fan even if positive & negative lead are connected in reverse.

However, when wiring fans with sensors or PWM speed control function, connecting positive and negative leads in reverse may damage the fans.

φ136mm

San Ace 136RF



General Specifications

- Material Frame, Impeller: Plastics (Flammability: UL94V-0)
- Expected Life Refer to specifications (L10: Survival rate: 90% at 60°C ,
rated voltage, and continuously run in a free air state)
- Lead Wire ⊕red ⊖black (Sensor) yellow (Control) brown
- Storage Temperature -30°C to +70°C (Non-condensing)

φ136mm×28mm (Mass : 220g) **9RF type**

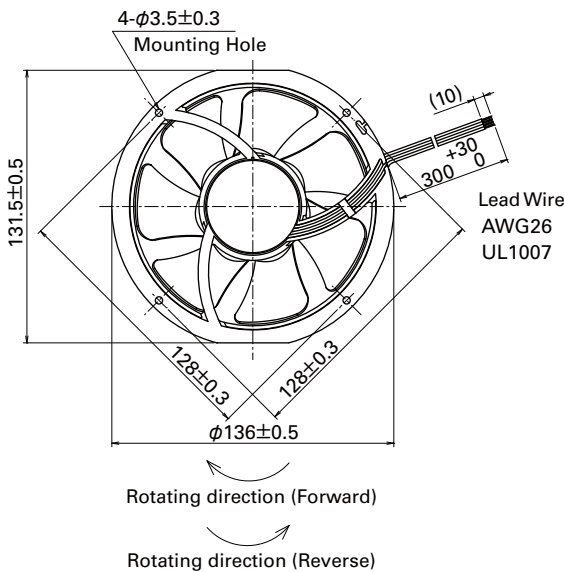
Specifications

The following nos. have PWM controls and pulse sensors.

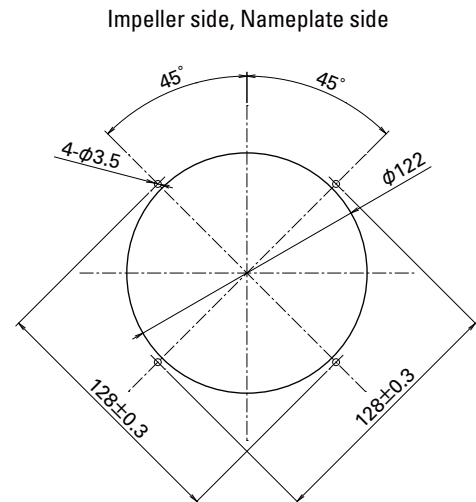
Model No.	Airflow direction	Rated Voltage [V]	Operating Voltage Range [V]	PWM duty cycle* [%]	Rated Current [A]	Rated Input [W]	Rated Speed [min ⁻¹]	Max. Airflow [m ³ /min] [CFM]	Max. Static Pressure [Pa] [inchH ₂ O]	SPL [dB(A)]	Operating Temperature [°C]	Expected Life [h]
9RF1312P3H001	Forward	12	10.2 to 13.8	100	0.15	1.8	3,100	2.00 70.7	102 0.410	35	-20 to +70	40,000/60°C (70,000/40°C)
	Reverse			0								
9RF1324P3H001	Forward	24	20.4 to 27.6	100	0.09	2.2	3,100	2.00 70.7	102 0.410	35		
	Reverse			0								

※PWM Frequency : 25kHz

Dimensions (unit: mm)



Reference Dimensions of Mounting Holes and Vent Opening (unit: mm)

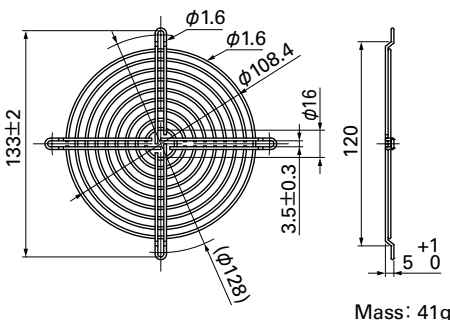


Options (unit: mm)

Finger Guards

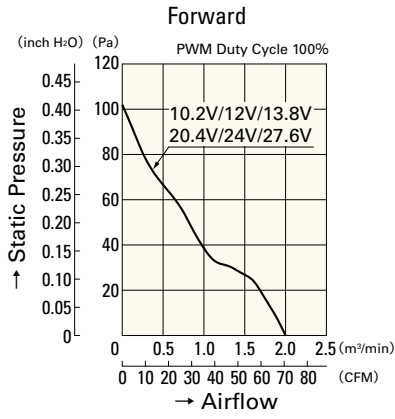
Model : 109-1139 Surface treatment : Nickel-chrome plating (silver) Color

Impeller side, Nameplate side



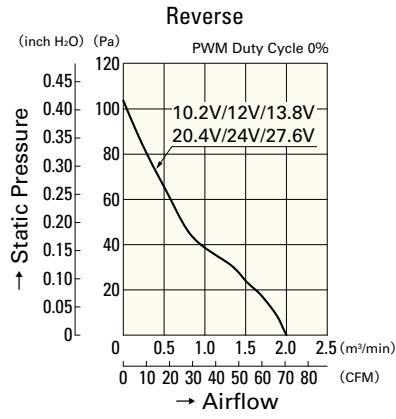
Airflow - Static Pressure Characteristics

Operating Voltage Range



9RF1312P3H001

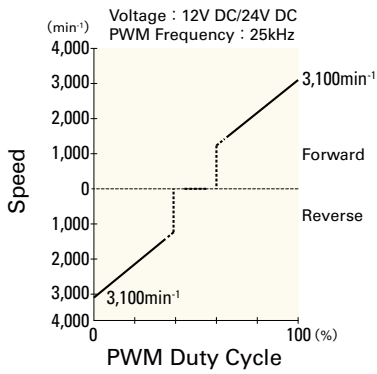
9RF1324P3H001



9RF1312P3H001

9RF1324P3H001

PWM Duty - Speed Characteristics Example



9RF1312P3H001

9RF1324P3H001

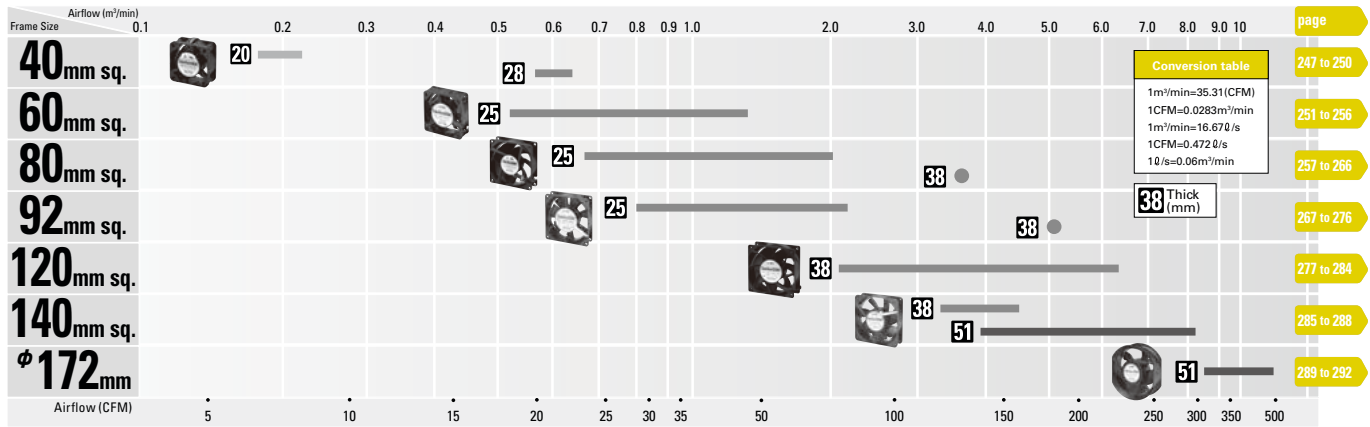
Splash Proof Fan

Cooling fan of IP54, IP55 and IP68 waterproof capability.

Related product

Splash Proof Centrifugal Fan ⇒ p. 293
Oil Proof Fan ⇒ p. 303

Domain Diagram



Model Numbering System

Not every combination of the following codes or characters is available. Contact us for an available combination.

9WS	12	12	H	1	01	
Type name / frame material 109W / Aluminum 9WS / Plastics 9WE / Aluminum 9WG / Aluminum 9WB / Aluminum 9WP / Plastics 9WV / Plastics Aluminum 9WL / Aluminum	Frame size 04 : 40×40mm 06 : 60×60mm 08 : 80×80mm 09 : 92×92mm 12 : 120×120mm 14 : 140×140mm 17 : ∅172mm 57 : ∅172mm×150mm (sidecut)	Voltage 12 : 12V 24 : 24V 48 : 48V etc	Speed code A, D, E, F, G, H, J, L, M, S etc	Frame thickness 1 : 38mm thick 4 : 25mm thick 5 : 51mm thick 6 : 20mm thick	Sensor specifications 01 : With a pulse sensor 02 : Without a sensor D01 : With a lock sensor	Frame form Nil : Plastics frame: Ribbed frame Aluminum frame: Ribless frame 1 : Plastics frame: Ribless frame

Fans with PWM control function

Example :

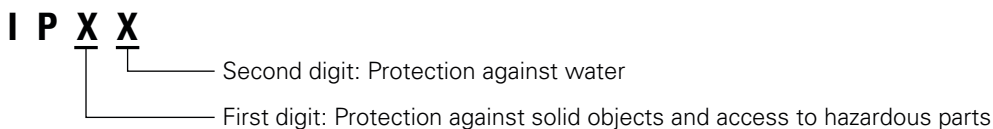
9WV	08	48	P	1	H	001	
Type name / frame material 9WV / Plastics Aluminum	Frame size 08 : 80×80mm	Voltage 48 : 48V	PWM control function	Frame thickness	Speed code	Individual customer's spec 2 or 3 digits	Frame form Nil : Plastics frame: Ribbed frame Aluminum frame: Ribless frame

Ingress protection ratings (IP code)

■ IP Codes used by SANYO DENKI express the level of protection that internal electrical components (for fans: electrical components and motor coils) have against solid objects, water, and access to hazardous parts. San Ace Splash Proof fans feature high protection levels.

Definition of Ingress Protection (IP Code)

Ingress Protection (IP Code) is defined in IEC (International Electrotechnical Commission) 60529* DEGREES OF PROTECTION PROVIDED BY ENCLOSURES (IP Code). *IEC 60529:2001



*For details, please refer to p. 483.

How to Read Specifications

DC Fan											DC	
Model No.	① Rated Voltage [V]	② Operating Voltage Range [V]	③ Rated Current [A]	④ Rated Input [W]	⑤ Rated Speed [min ⁻¹]	⑥ Max. Airflow [m ³ /min] [CFM]		⑦ Max. Static Pressure [Pa] [inchH ₂ O]		⑧ SPL [dB(A)]	⑨ Operating Temperature [°C]	⑩ Expected Life [h]
9GA0412G7001	12	7 to 13.8	0.17	2.04	13,100	0.36	12.7	192	0.77	42	-20 to +70	40,000/60°C (70,000/40°C)

- ① Rated Voltage This is the necessary voltage to drive the fan. 12VDC, 24VDC and 48VDC are available.
- ② Operating Voltage Range... The voltage range over which fan operation is guaranteed
- ③ Rated Current The current value during the fan's rated operation without load
- ④ Rated Input The input value during the fan's rated operation without load
- ⑤ Rated Speed The rotating speed during the fan's rated operation without load
- ⑥ Max. Airflow The maximum air volume that the fan can output during rated operation (according to the company's dual-chamber device).
The volume of air generated by the fan in a given time period
- ⑦ Max. Static Pressure The maximum static pressure value that the fan can output during rated operation (according to the company's dual-chamber device). The static pressure is the fan's force to propel air by overcoming the resistance of the device that uses the fan when it propels air.
- ⑧ SPL..... "SPL" is Sound Pressure Level. The noise level during the fan's rated operation.
Please refer to the technical material section for the method used to measure the noise level.
- ⑨ Operating Temperature The temperature range over which fan operation is guaranteed (Non- condensing)
- ⑩ Expected Life The fan's expected operating life when the fan operates continuously at the rated voltage at a temperature of 60°C and at relative humidity of 90%. Expected life at 40°C ambient is just reference value.
Please refer to the technical material section for the expected operating life.

DC Fan Common Specifications

Material Frame,Impeller:Plastics / Frame:Aluminum,Impeller:Plastics

* For details, refer to the appropriate page.

Expected LifeVaries for each model (L10:Survival rate:90% at 60°C ,rated voltage, and continuously run in a free air state)

* Splash proof fan: Varies for each model (Indoor, L10:Survival rate:90% at 60°C ,rated voltage, and continuously run in a free air state)

Motor Protection Burnout protection at locked rotor condition and Reverse polarity protection

Dielectric StrengthAC50/60Hz 500VAC 1minute(between lead conductor and frame)

Insulation Resistance10M Ω or more at 500VDC megger (between lead conductor and frame)

Sound Pressure Level(SPL) ..Expressed as the value at 1m from air inlet side

Lead WireFor details, refer to the appropriate page.

Overheating protection function

Protection Functions:

If the fan blades are restricted, an overcurrent occurs and leads to a rise in the fan coil temperature. This can result in reduced performance, damage, or a fire. To prevent this from occurring, SANYO DENKI's fans incorporate an overheating protection function. Refer to the catalog for the types of protection functions.

Burnout protection function at locked rotor condition

- Current cutoff system

If the fan blades are restricted, the coil current is cut off at regular cycles to prevent overheating of the coil. When the hindrance is removed, the fan restarts automatically.

Reverse polarity protection function

No problem about fan even if positive & negative lead are connected in reverse.

However, when wiring fans with sensors or PWM speed control function, connecting positive and negative leads in reverse may damage the fans.

40mm sq.

San Ace 40W



General Specifications

- Material Frame: Plastics (Flammability: UL94V-0),
Impeller: Plastics (Flammability: UL94V-1)
- Expected Life Refer to specifications (Indoor, L10:Survival rate:90% at 60°C ,
rated voltage, and continuously run in a free air state)
- Lead Wire ⊕red ⊖black (Sensor) yellow
- Storage Temperature -30°C to +70°C (Non-condensing)

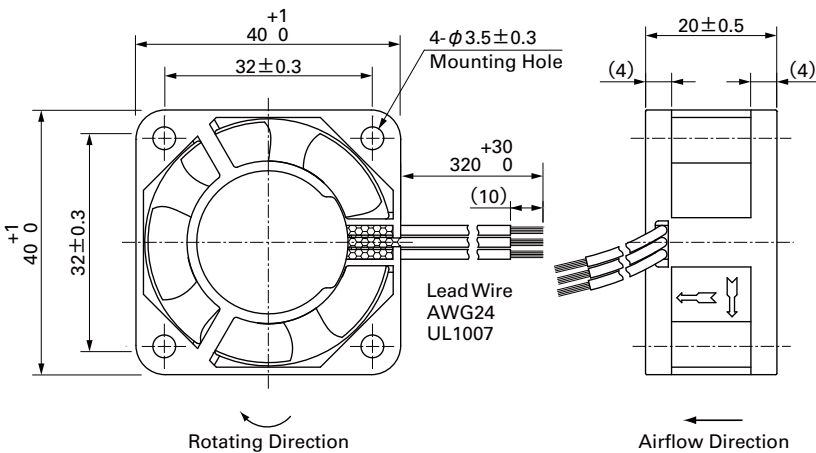
40×40×20mm (Mass : 50g) IP 68 9WP type

Specifications The following nos. have pulse sensors and ribs.

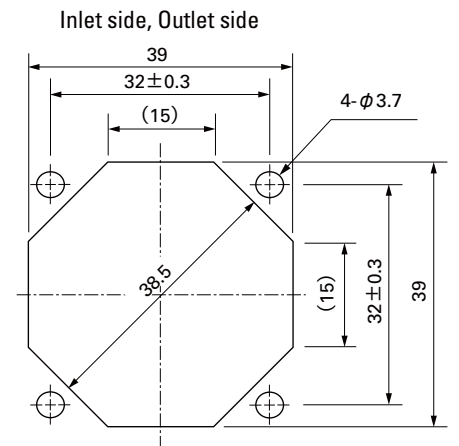
Model No.	Rated Voltage [V]	Operating Voltage Range [V]	Rated Current [A]	Rated Input [W]	Rated Speed [min ⁻¹]	Max. Airflow [m ³ /min] [CFM]	Max. Static Pressure [Pa] [inchH ₂ O]	SPL [dB(A)]	Operating Temperature [°C]	Expected Life [h]
9WP0412H6001	12	7 to 13.8	0.1	1.2	8,000	0.225 8.0	65.7 0.264	33	-10 to +60	40,000/60°C (70,000/40°C)
9WP0412F6001			0.06	0.72	6,500	0.183 6.5	45.1 0.181	28		

Other sensor specifications are available as options. Please refer to the index (p. 512).

Dimensions (unit: mm) (With ribs)



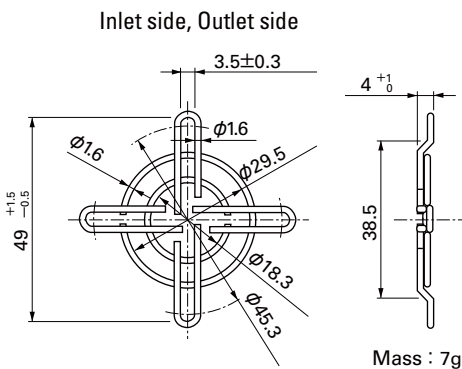
Reference Dimensions of Mounting Holes and Vent Opening (unit: mm)



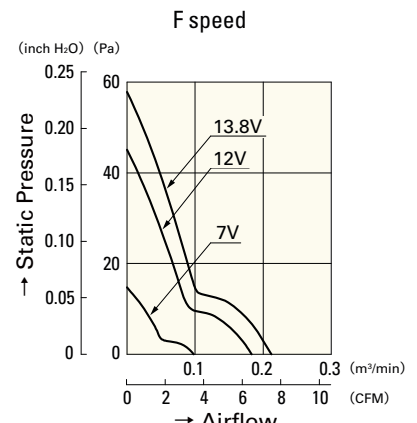
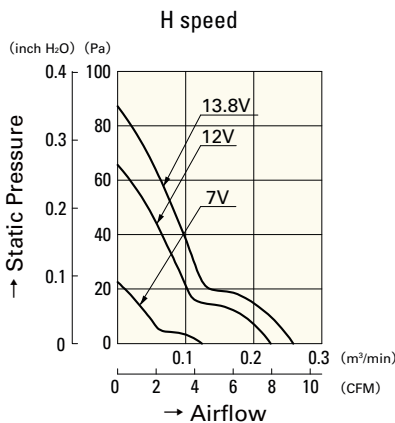
Options (unit: mm)

Finger Guards

Model : 109-059 Surface treatment : Nickel-chrome plating (silver) Color : 109-059H Cation electropainting (black)



Airflow - Static Pressure Characteristics



9WP0412H6001

9WP0412F6001

40mm sq.

San Ace 40W



DC
Splash Proof Fan 40mm

General Specifications

- Material Frame: Aluminum (Black coating),
Impeller: Plastics (Flammability: UL94V-0)
- Expected Life Refer to specifications (Indoor, L10:Survival rate:90% at 60°C ,
rated voltage, and continuously run in a free air state)
- Lead Wire ⊕red ⊖black (Sensor) yellow (Control) brown
- Storage Temperature -30°C to +70°C (Non-condensing)

40×40×28mm (Mass : 70g) **IP 68** **9WL type** **High Airflow Long Life Fan**

Specifications

The following nos. have PWM controls and pulse sensors.

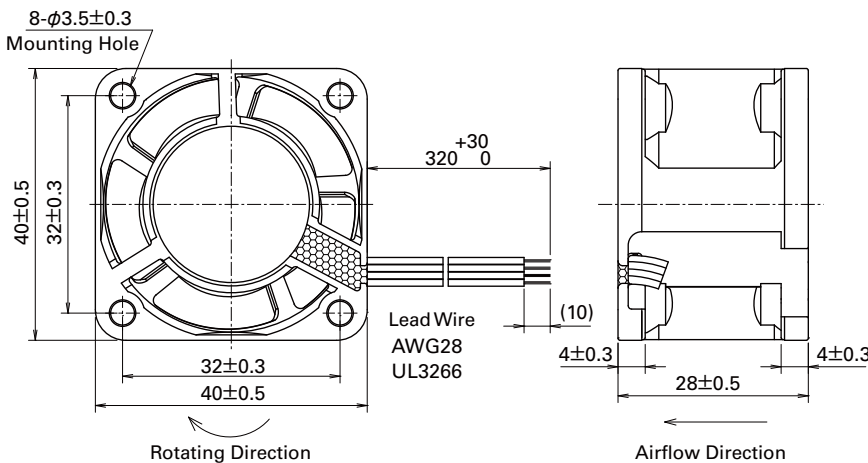
Model No.	Rated Voltage [V]	Operating Voltage Range [V]	PWM duty cycle [Volts %]	Rated Current [A]	Rated Input [W]	Rated Speed [min ⁻¹]	Max. Airflow [m ³ /min] [CFM]	Max. Static Pressure [Pa] [inchH ₂ O]	SPL [dB(A)]	Operating Temperature [°C]	Expected Life [h]
9WL0412P3J001	12	10.8 to 13.2	100	0.52	6.24	17,500	0.63 22.2	400 1.61	51	-20 to +70	150,000/60°C
			20	0.06	0.72	3,600	0.13 4.6	16.9 0.07	20		
9WL0412P3G001			100	0.40	4.80	15,500	0.56 19.7	310 1.24	47		
			20	0.06	0.72	3,300	0.12 4.2	14.0 0.06	18		
9WL0424P3J001	24	21.6 to 26.4	100	0.26	6.24	17,500	0.63 22.2	400 1.61	51		
			20	0.04	0.96	4,000	0.14 5.1	20.9 0.08	22		
9WL0424P3G001			100	0.20	4.80	15,500	0.56 19.7	310 1.24	47		
			20	0.04	0.96	3,000	0.11 3.8	11.6 0.05	16		

Note: Fan does not rotate when PWM duty cycle is 0%.

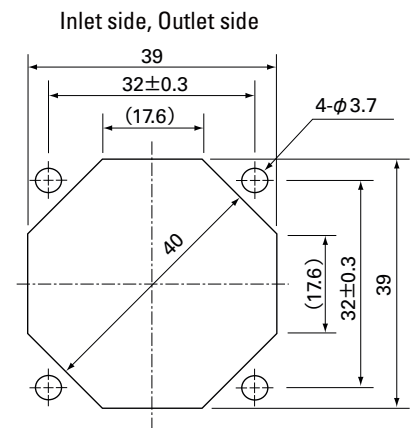
※PWM Frequency : 25kHz

Other sensor specifications are available as options. Please refer to the index (p. 511).

Dimensions (unit: mm)



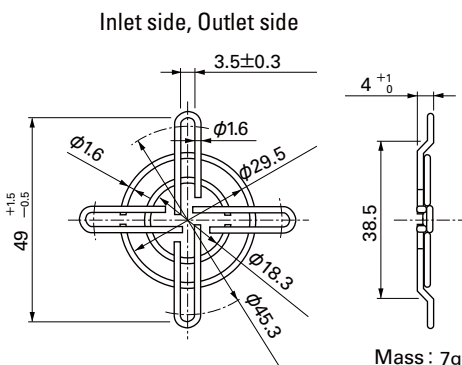
Reference Dimensions of Mounting Holes and Vent Opening (unit: mm)



Options (unit: mm)

Finger Guards

Model : 109-059 Surface treatment : Nickel-chrome plating (silver)
: 109-059H : Cation electropainting (black)



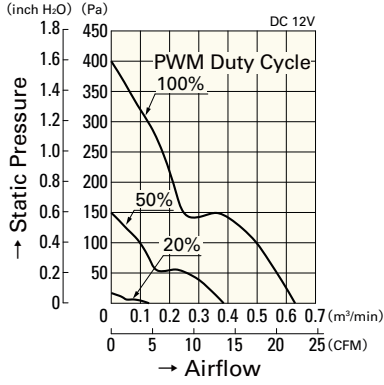
40mm sq.

San Ace 40W

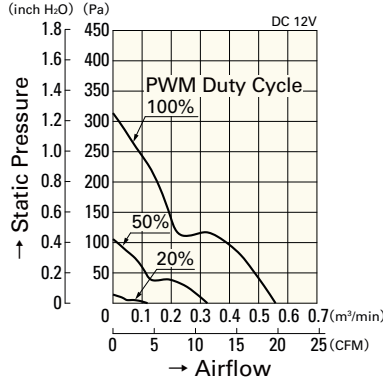
40×40×28mm [Mass : 70g]

Airflow - Static Pressure Characteristics

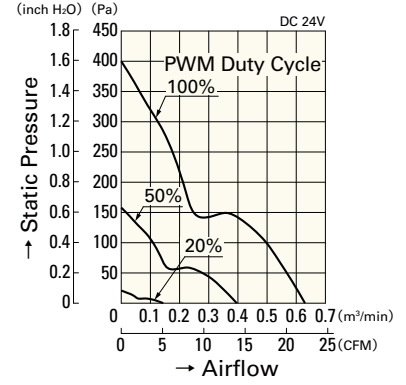
PWM Duty Cycle



9WL0412P3J001

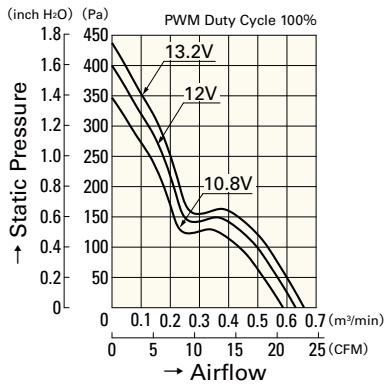


9WL0412P3G001

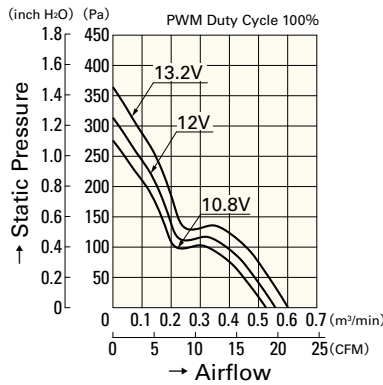


9WL0424P3J001

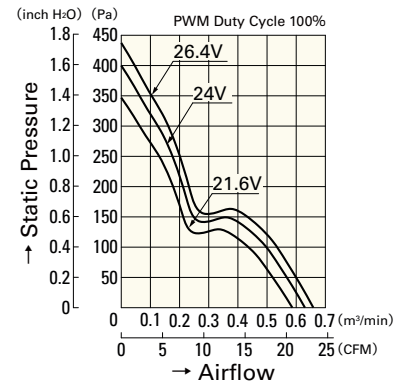
Operating Voltage Range



9WL0412P3J001

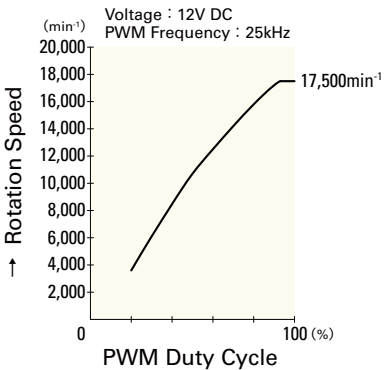


9WL0412P3G001

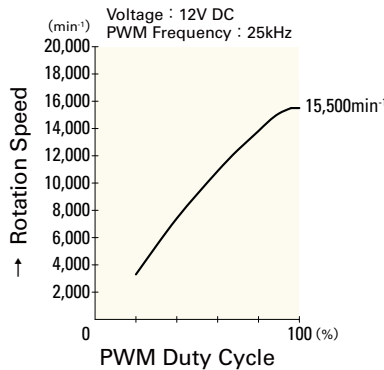


9WL0424P3J001

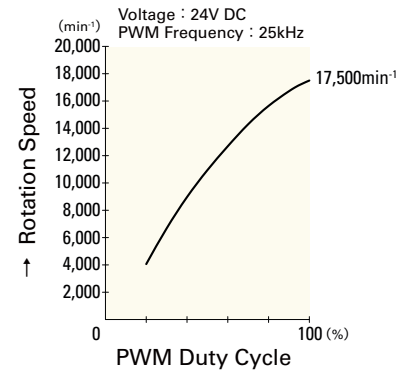
PWM Duty - Speed Characteristics Example



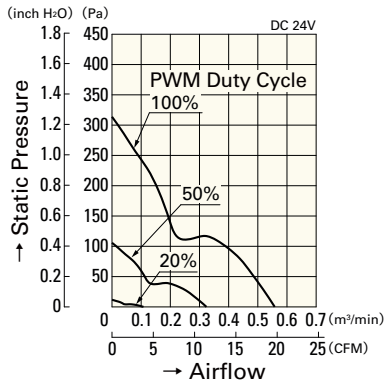
9WL0412P3J001



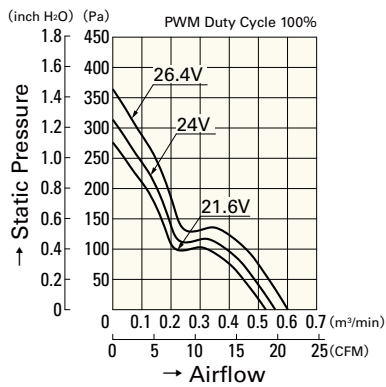
9WL0412P3G001



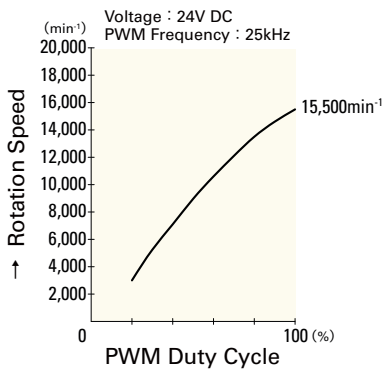
9WL0424P3J001



9WL0424P3G001



9WL0424P3G001



9WL0424P3G001

60mm sq.

San Ace 60W



General Specifications

- Material Frame: Aluminum (Black coating),
Impeller: Plastics (Flammability: UL94V-1)
- Expected Life Refer to specifications (Indoor, L10:Survival rate:90% at 60°C ,
rated voltage, and continuously run in a free air state)
- Lead Wire ⊕red ⊖black (Sensor) yellow (Control) brown
- Storage Temperature -30°C to +70°C (Non-condensing)

60×60×25mm (Mass : 110g)

IP 68

9WL type

High Airflow Long Life Fan



Specifications The following nos. have PWM controls and pulse sensors.

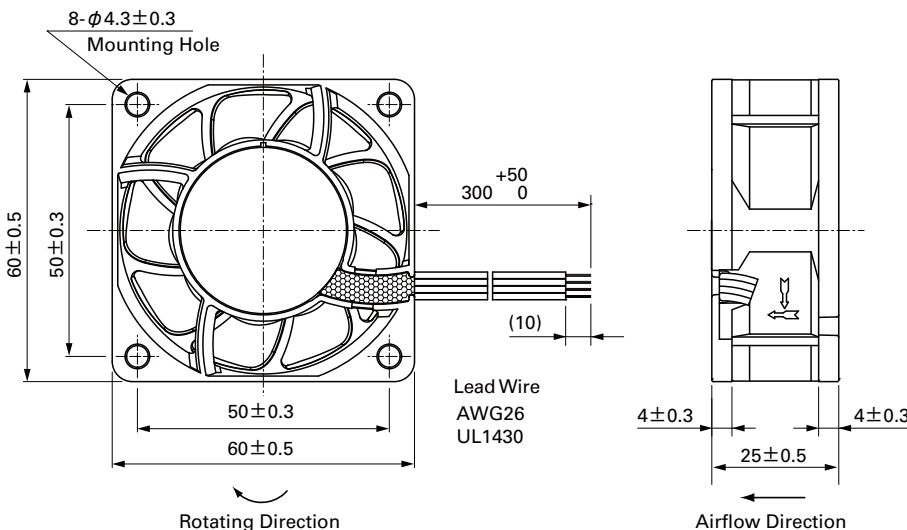
Model No.	Rated Voltage [V]	Operating Voltage Range [V]	PWM duty cycle ^{Note1)} [%]	Rated Current [A]	Rated Input [W]	Rated Speed [min ⁻¹]	Max. Airflow [m ³ /min] [CFM]	Max. Static Pressure [Pa] [inchH ₂ O]	SPL [dB(A)]	Operating Temperature [°C]	Expected Life [h]
9WL0612P4S001	12	10.8 to 13.2	100	0.67	8.04	11,000	1.40 49.4	300 1.204	53	-20 to +70	180,000/60°C
			20	0.06	0.72	2,900	0.36 12.7	20.8 0.083	20		
9WL0612P4J001			100	0.39	4.68	8,650	1.10 38.8	182 0.730	47		
			20	0.03	0.36	1,150	0.13 4.8	3.3 0.013	14		
9WL0612P4H001			100	0.17	2.04	6,150	0.78 27.5	97 0.389	36		
			20	0.03	0.36	1,350	0.17 6.0	4.7 0.018	14		
9WL0624P4S001	24	21.6 to 26.4	100	0.34	8.16	11,000	1.40 49.4	300 1.204	53		
			20	0.03	0.72	2,900	0.36 12.7	20.8 0.083	20		
9WL0624P4J001			100	0.19	4.56	8,650	1.10 38.8	182 0.730	47		
			20	0.02	0.48	2,200	0.28 9.8	12.0 0.048	17		
9WL0624P4H001			100	0.08	1.92	6,150	0.78 27.5	97 0.389	36		
			20	0.02	0.48	1,300	0.16 5.6	4.3 0.017	14		

Note: Fan does not rotate when PWM duty cycle is 0%.

※PWM Frequency : 25kHz

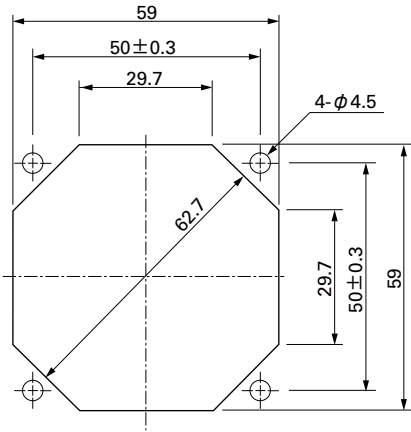
Other sensor specifications are available as options. Please refer to the index (p. 511).

Dimensions (unit: mm)



Reference Dimensions of Mounting Holes and Vent Opening (unit: mm)

Inlet side, Outlet side



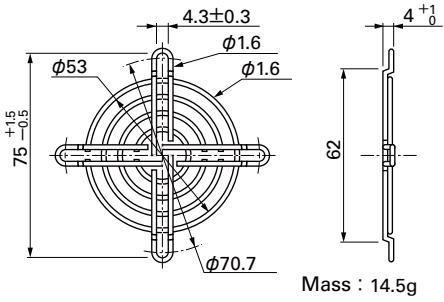
Options (unit: mm)

Finger Guards

Model : 109-139E Surface treatment : Nickel-chrome plating (silver)
 : 109-139H : Cation electropainting (black)

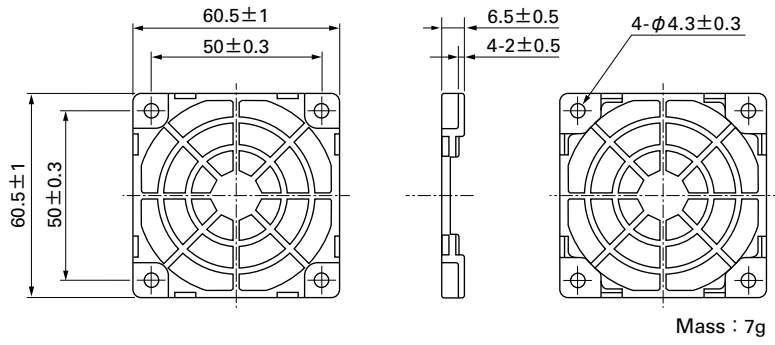
Color

Inlet side, Outlet side



Resin Finger Guards

Model : 109-1003G



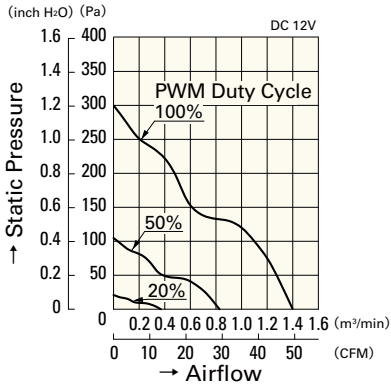
60mm sq.

San Ace 60W

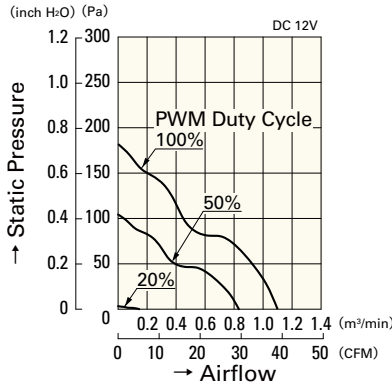
60×60×25mm [Mass : 120g]

Airflow - Static Pressure Characteristics

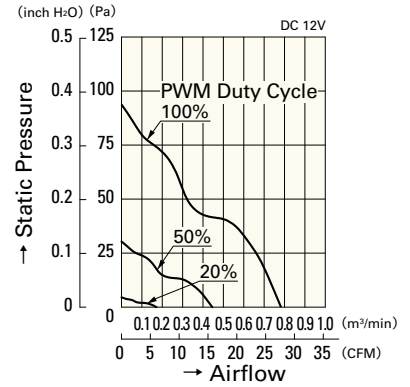
PWM Duty Cycle



9WL0612P4S001

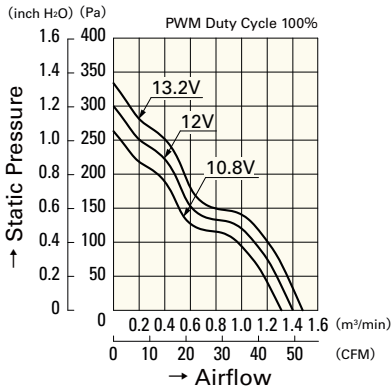


9WL0612P4J001

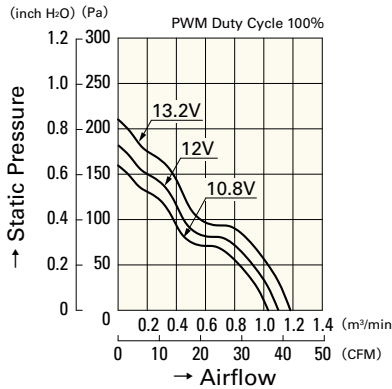


9WL0612P4H001

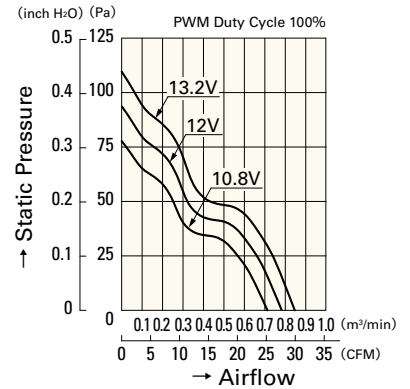
Operating Voltage Range



9WL0612P4S001

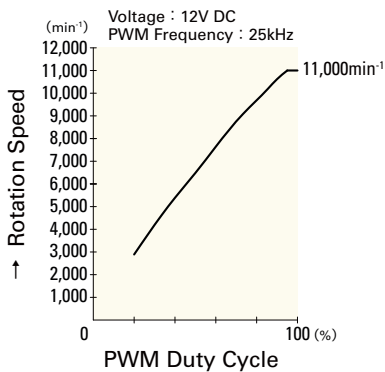


9WL0612P4J001

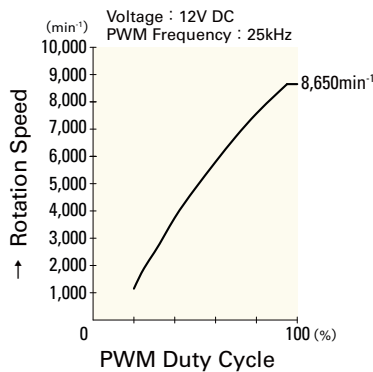


9WL0612P4H001

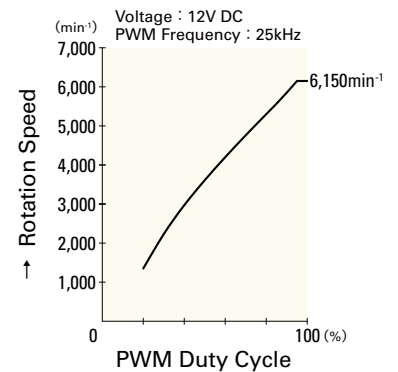
PWM Duty - Speed Characteristics Example



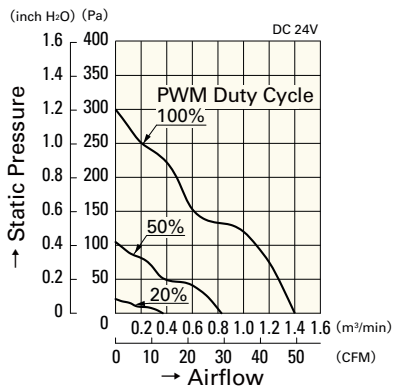
9WL0612P4S001



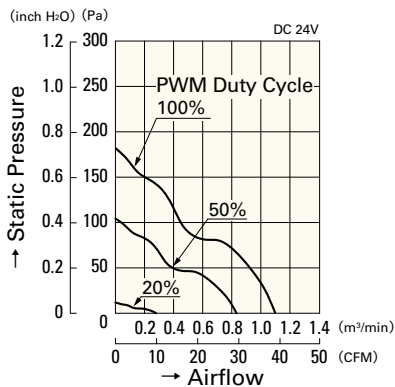
9WL0612P4J001



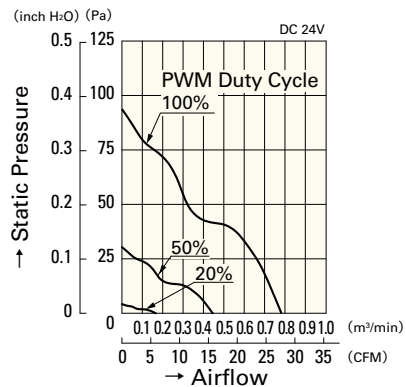
9WL0612P4H001



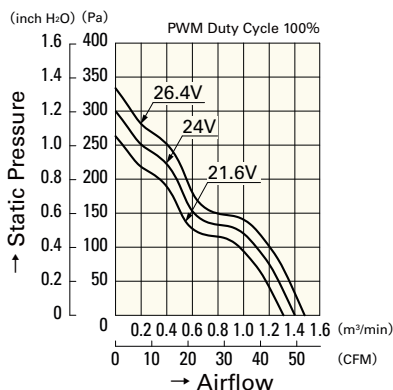
9WL0624P4S001



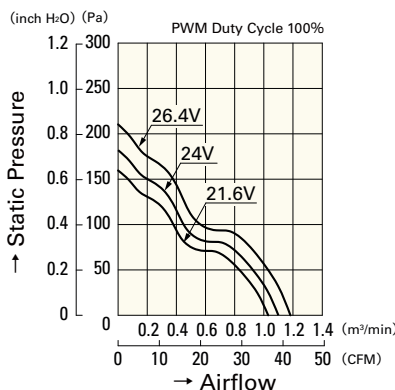
9WL0624P4J001



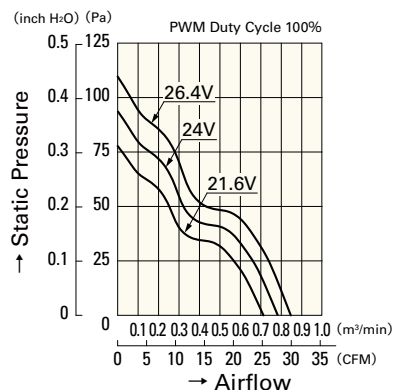
9WL0624P4H001



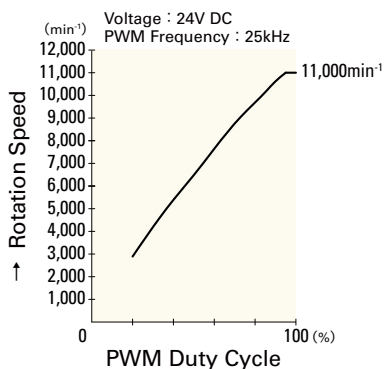
9WL0624P4S001



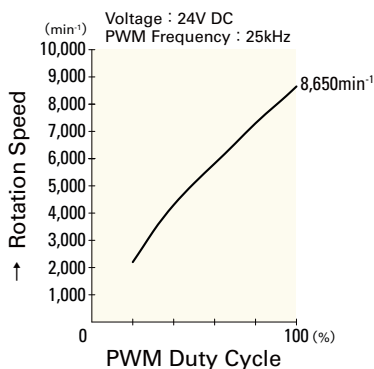
9WL0624P4J001



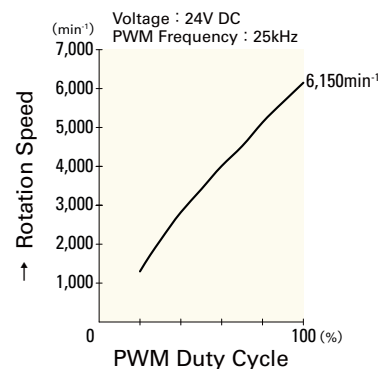
9WL0624P4H001



9WL0624P4S001



9WL0624P4J001



9WL0624P4H001

60mm sq.

San Ace 60W



General Specifications

- Material Frame: Plastics (Flammability: UL94V-0),
Impeller: Plastics (Flammability: UL94V-1)
- Expected Life Refer to specifications (Indoor, L10:Survival rate:90% at 60°C ,
rated voltage, and continuously run in a free air state)
- Lead Wire ⊕red ⊖black (Sensor) yellow
- Storage Temperature -30°C to +70°C (Non-condensing)

60×60×25mm (Mass : 110g) **IP 68** **9WP** type

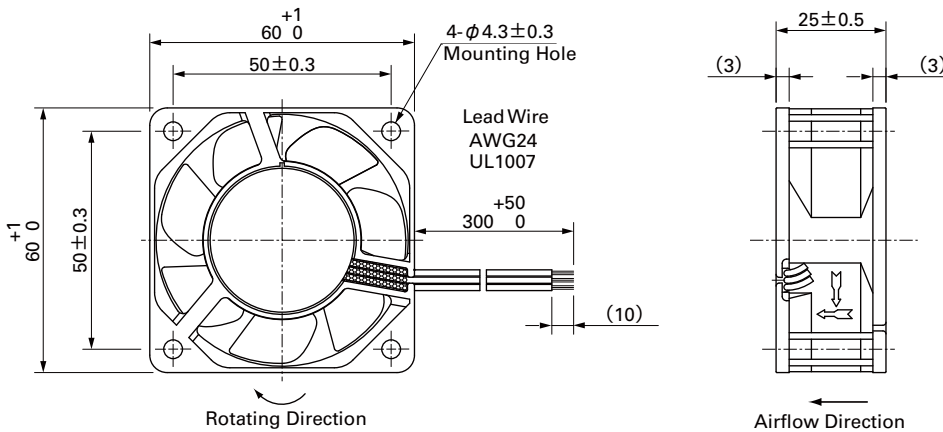
Specifications

The following nos. **have pulse sensors and ribs**. For ribless, append "1" to the model no.

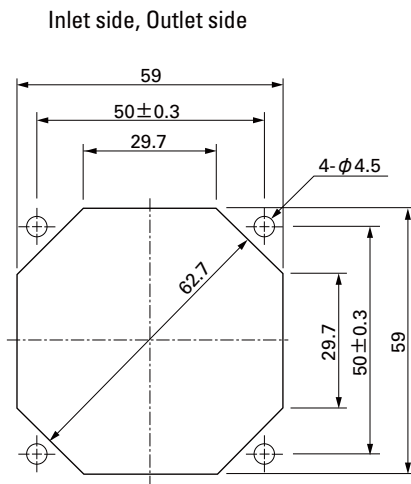
Model No.	Rated Voltage [V]	Operating Voltage Range [V]	Rated Current [A]	Rated Input [W]	Rated Speed [min ⁻¹]	Max. Airflow [m ³ /min] [CFM]	Max. Static Pressure [Pa] [inchH ₂ O]	SPL [dB(A)]	Operating Temperature [°C]	Expected Life [h]		
9WP0612G401	12	10.2 to 13.2	0.21	2.52	5,600	0.78	27.5	87.3	0.351	39	-20 to +60	40,000/60°C
9WP0612D401			0.21	2.52	5,150	0.72	25	73.5	0.30	37	-20 to +70	60,000/60°C
9WP0612H401		0.11	1.32	3,800	0.53	18.7	40.2	0.161	28	-20 to +60	40,000/60°C	
9WP0624J401	24	21.6 to 26.4	0.2	4.8	7,600	1.06	37.1	155.0	0.622	44	-20 to +60	40,000/60°C
9WP0624G401			0.13	3.12	5,600	0.78	27.5	87.3	0.351	39	-20 to +70	60,000/60°C
9WP0624H401		0.06	1.44	3,800	0.53	18.7	40.2	0.161	28	-20 to +60	40,000/60°C	
9WP0648H401	48	40 to 53	0.04	1.92	3,800	0.53	18.7	40.2	0.161	28	-20 to +70	60,000/60°C

Other sensor specifications are available as options. Please refer to the index (p. 512).

Dimensions (unit: mm) (With ribs)



Reference Dimensions of Mounting Holes and Vent Opening (unit: mm)



Options (unit: mm)

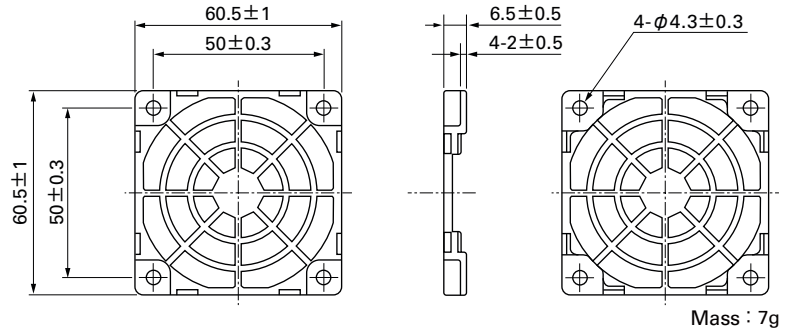
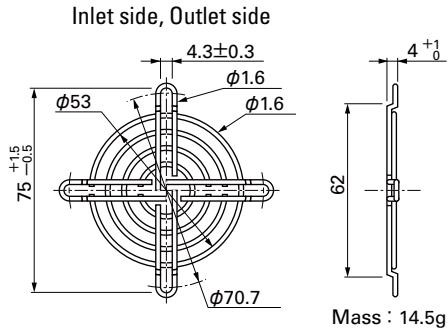
Finger Guards

Model : 109-139E Surface treatment : Nickel-chrome plating (silver)
 : 109-139H : Cation electropainting (black)

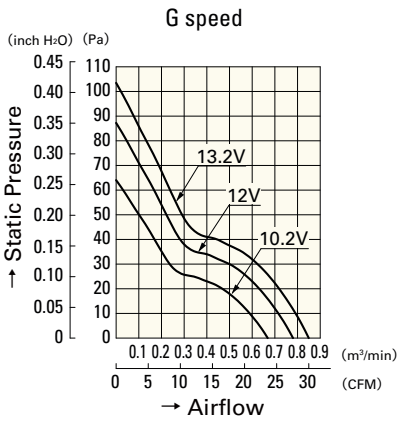
Color

Resin Finger Guards

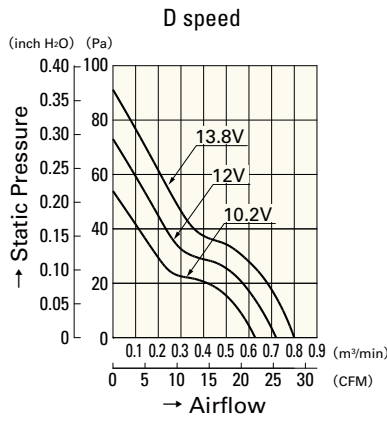
Model : 109-1003G



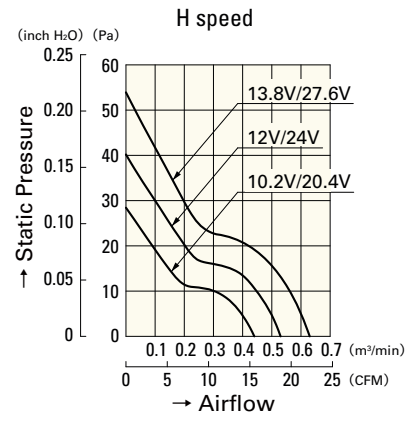
Airflow - Static Pressure Characteristics



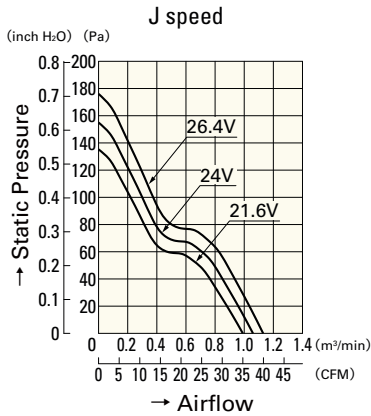
9WP0612G401



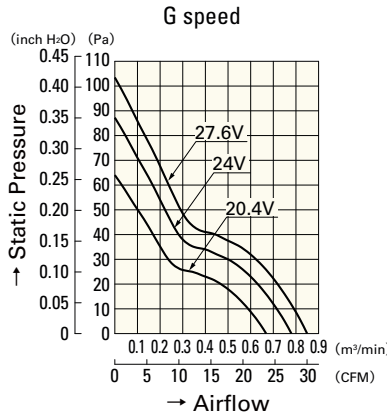
9WP0612D401



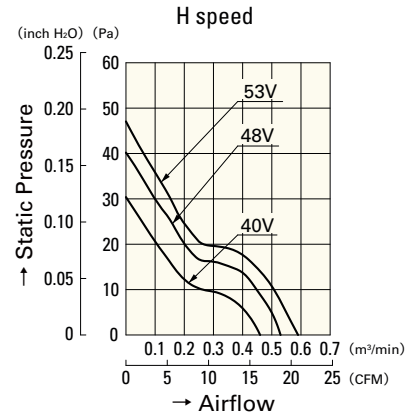
9WP0612H401
9WP0624H401



9WP0624J401



9WP0624G401



9WP0648H401

80mm sq.

San Ace 80W



General Specifications

- Material Frame: Aluminum (Black coating),
Impeller: Plastics (Flammability: UL94V-1)
- Expected Life Refer to specifications (Indoor, L10: Survival rate: 90% at 60°C ,
rated voltage, and continuously run in a free air state)
- Lead Wire ⊕ red ⊖ black (Sensor) yellow (Control) brown
- Storage Temperature -30°C to +70°C (Non-condensing)

80×80×25mm (Mass : 150g) **IP68** **9WL_{type}** **High Airflow Long Life Fan** 

Specifications

The following nos. **have PWM controls and pulse sensors.**

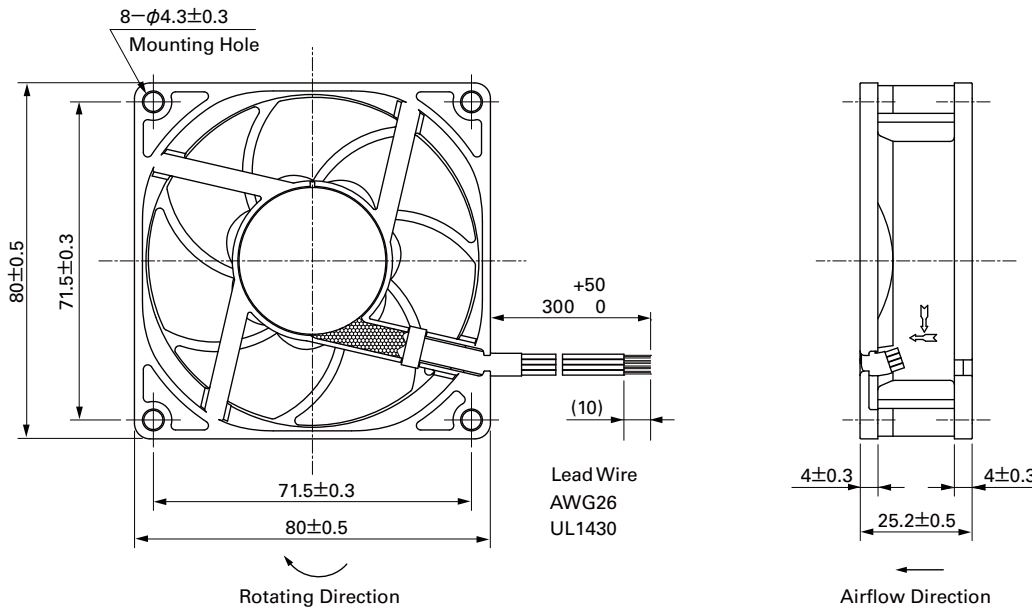
Model No.	Rated Voltage [V]	Operating Voltage Range [V]	PWM duty cycle ^{Min/Max} [%]	Rated Current [A]	Rated Input [W]	Rated Speed [min ⁻¹]	Max. Airflow [m ³ /min] [CFM]	Max. Static Pressure [Pa] [inchH ₂ O]	SPL [dB(A)]	Operating Temperature [°C]	Expected Life [h]
9WL0812P4J001	12	10.8 to 13.2	100	0.6	7.2	7,400	2.07 73.0	177 0.71	49	-20 to +70	180,000/60°C
			20	0.06	0.72	1,800	0.50 17.6	10.4 0.04	16		
9WL0812P4G001			100	0.30	3.60	5,500	1.54 54.3	98 0.39	43		
			25	0.05	0.60	1,400	0.39 13.7	6.3 0.02	14		
9WL0812P4H001			100	0.12	1.44	3,700	1.03 36.3	44 0.17	31		
			25	0.04	0.48	1,100	0.30 10.5	3.9 0.01	13		
9WL0824P4J001	24	21.6 to 26.4	100	0.28	6.72	7,400	2.07 73.0	177 0.71	49		
			20	0.05	1.20	2,400	0.67 23.6	18.6 0.07	22		
9WL0824P4G001			100	0.14	3.36	5,500	1.54 54.3	98 0.39	43		
			20	0.02	0.48	1,200	0.33 11.6	4.6 0.01	13		
9WL0824P4H001			100	0.05	1.2	3,700	1.03 36.3	44 0.17	31		
			30	0.02	0.48	1,100	0.30 10.5	3.9 0.01	13		

Note : Fan does not rotate when PWM duty cycle is 0%.

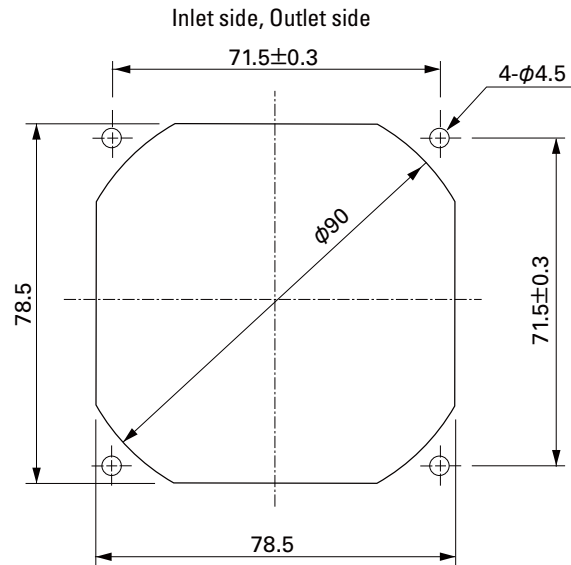
※PWM Frequency : 25kHz

Other sensor specifications are available as options. Please refer to the index (pp. 511 to 512).

Dimensions (unit: mm)



Reference Dimensions of Mounting Holes and Vent Opening (unit: mm)



Options (unit: mm)

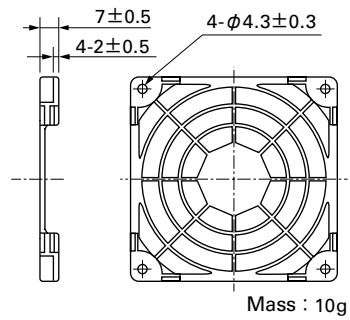
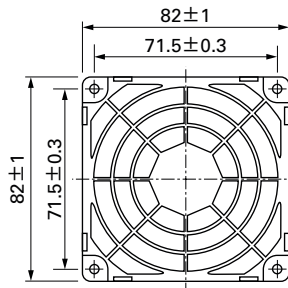
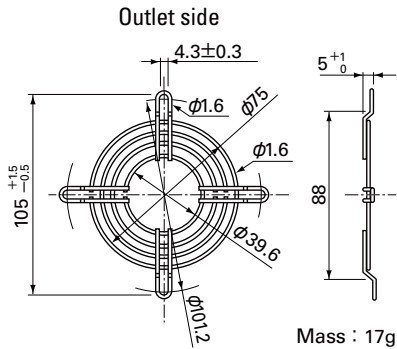
Finger Guards

Model : 109-049C Surface treatment : Nickel-chrome plating (silver) Color

Color

Resin Finger Guards

Model : 109-1002G

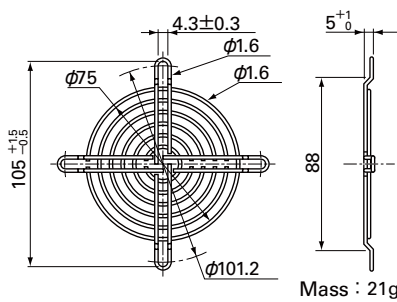


Model : 109-049E Surface treatment : Nickel-chrome plating (silver) Color

Color

: 109-049H : Cation electropainting (black)

Inlet side, Outlet side



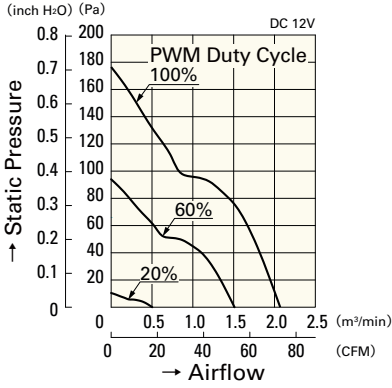
80mm sq.

San Ace 80W

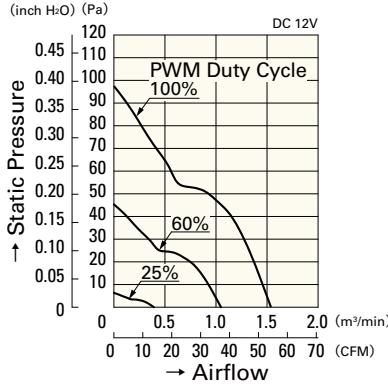
80×80×25mm [Mass : 150g]

Airflow - Static Pressure Characteristics

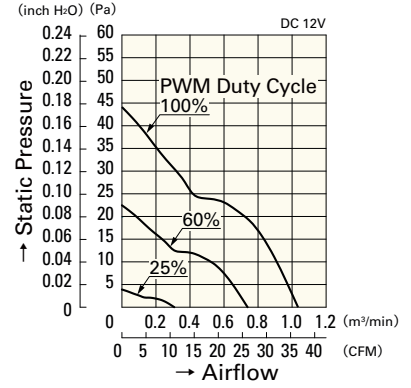
PWM Duty Cycle



9WL0812P4J001

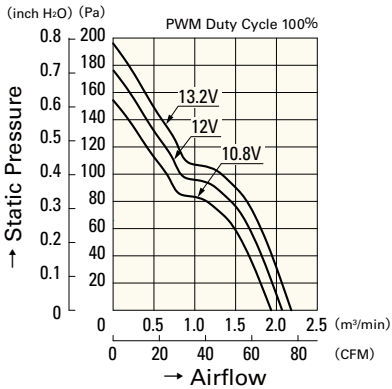


9WL0812P4G001

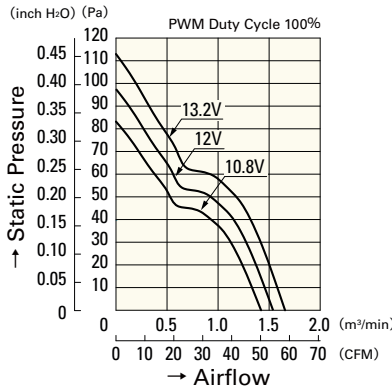


9WL0812P4H001

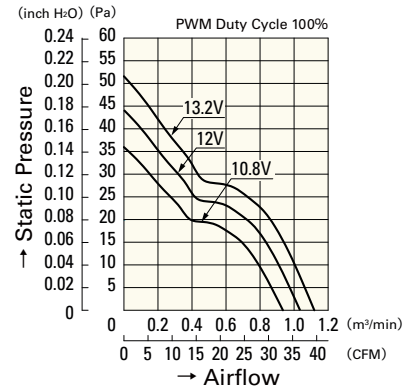
Operating Voltage Range



9WL0812P4J001

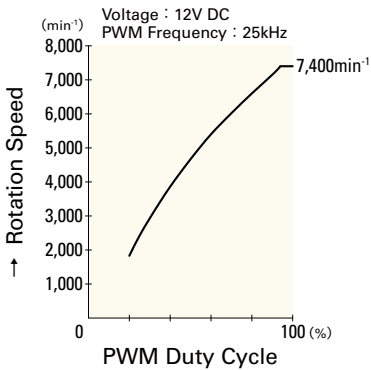


9WL0812P4G001

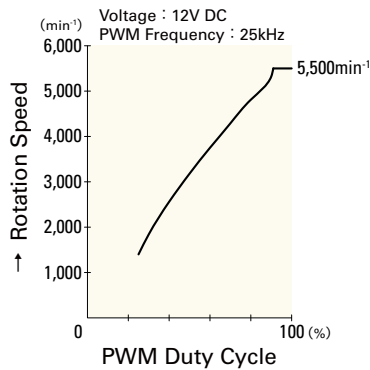


9WL0812P4H001

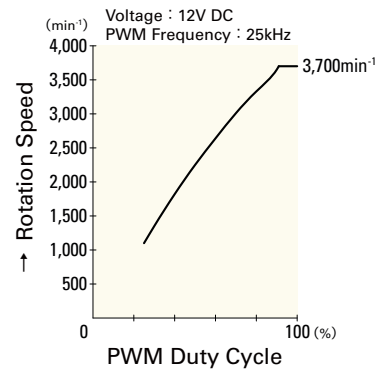
PWM Duty - Speed Characteristics Example



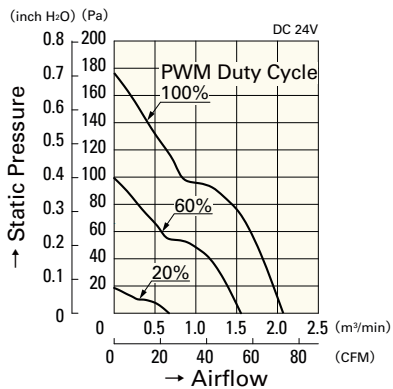
9WL0812P4J001



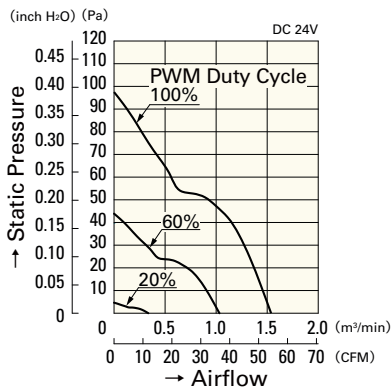
9WL0812P4G001



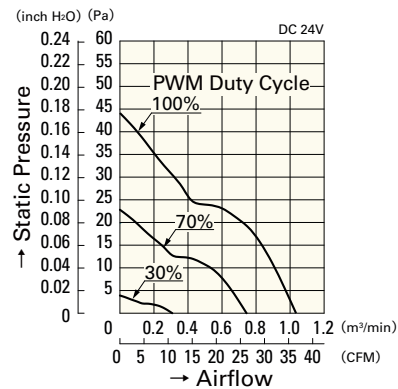
9WL0812P4H001



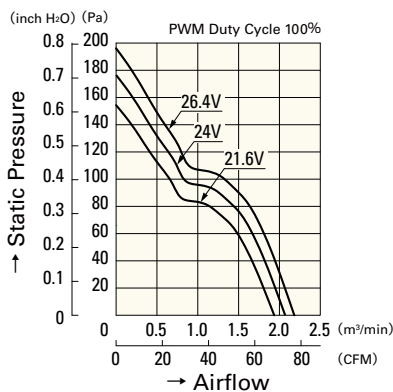
9WL0824P4J001



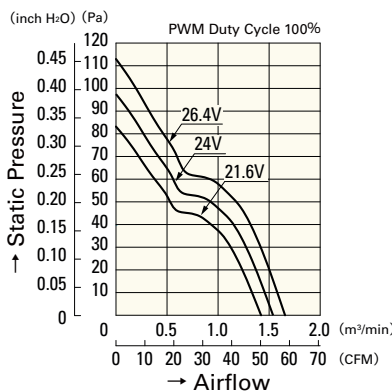
9WL0824P4G001



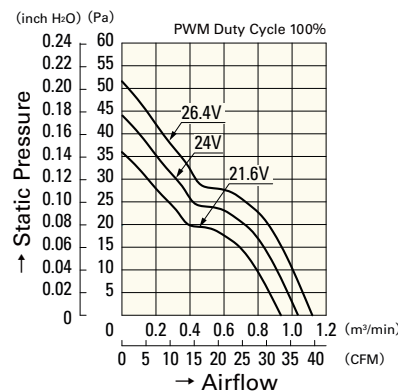
9WL0824P4H001



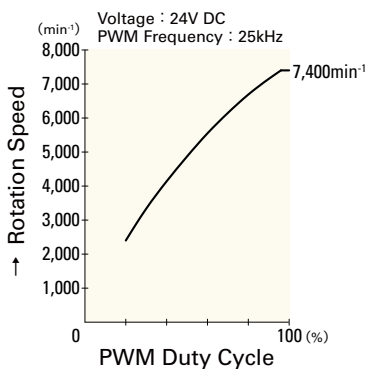
9WL0824P4J001



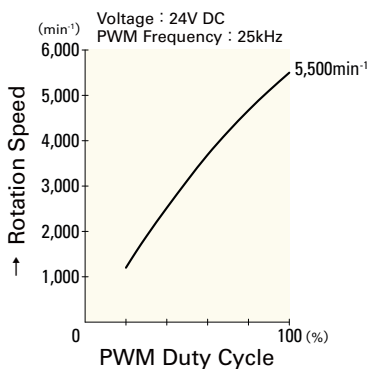
9WL0824P4G001



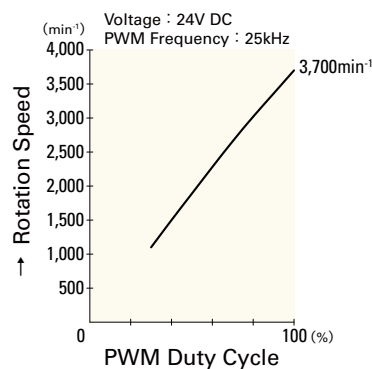
9WL0824P4H001



9WL0824P4J001



9WL0824P4G001



9WL0824P4H001

80mm sq.

San Ace 80W



General Specifications

- Material Frame: Plastics (Flammability: UL94V-0),
Impeller: Plastics (Flammability: UL94V-1)
- Expected Life Refer to specifications (Indoor, L10:Survival rate: 90% at 60°C ,
rated voltage, and continuously run in a free air state)
- Lead Wire ⊕red ⊖black (Sensor) yellow
- Storage Temperature -30°C to +70°C (Non-condensing)

80×80×25mm (Mass : 130g) **IP 68** **9WP** type

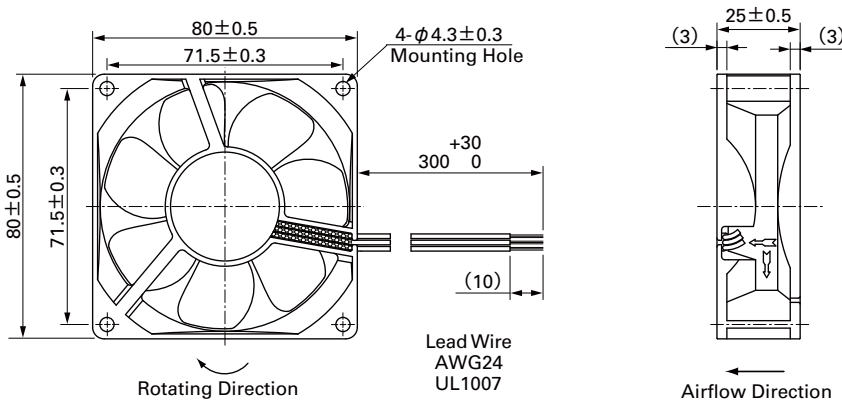
Specifications

The following nos. **have pulse sensors and ribs**. For ribless, append "1" to the model no.

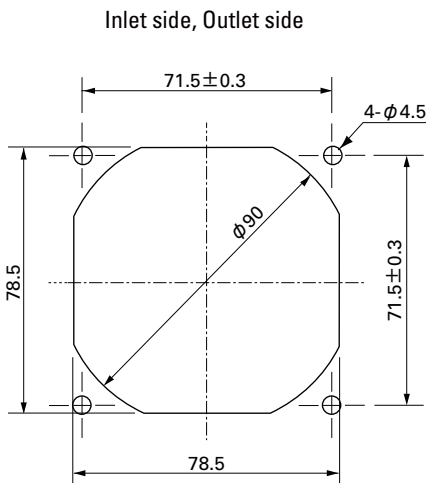
Model No.	Rated Voltage [V]	Operating Voltage Range [V]	Rated Current [A]	Rated Input [W]	Rated Speed [min ⁻¹]	Max. Airflow [m ³ /min] [CFM]	Max. Static Pressure [Pa] [inchH ₂ O]	SPL [dB(A)]	Operating Temperature [°C]	Expected Life [h]
9WP0812G401	12	10.8 to 13.2	0.38	4.56	4,500	1.50 53	80.4 0.323	40	-20 to +70	40,000/60°C
9WP0812H401		10.2 to 13.8	0.13	1.56	2,900	1.03 36.4	35.3 0.142	29		60,000/60°C
9WP0824S401	24	20.4 to 27.6	0.1	2.4	3,400	1.20 42.4	48.0 0.193	34		40,000/60°C
9WP0824H401			0.07	1.68	2,900	1.03 36.4	35.3 0.142	29		60,000/60°C
9WP0848S401	48	40.8 to 55.2	0.06	2.88	3,400	1.20 42.4	48.0 0.193	34	40,000/60°C	

Other sensor specifications are available as options. Please refer to the index (p. 512).

Dimensions (unit: mm) (With ribs)



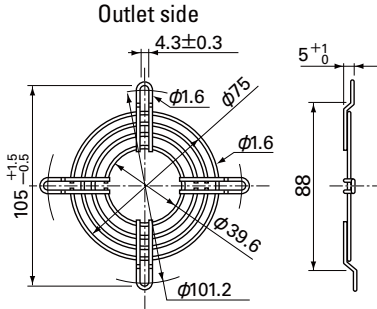
Reference Dimensions of Mounting Holes and Vent Opening (unit: mm)



Options (unit: mm)

Finger Guards

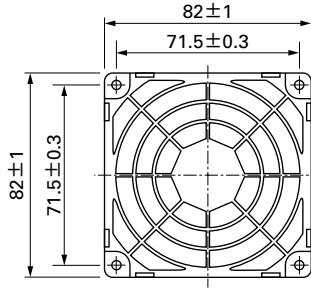
Model : 109-049C Surface treatment : Nickel-chrome plating (silver) Color : Nickel-chrome plating (silver)



Mass : 17g

Resin Finger Guards

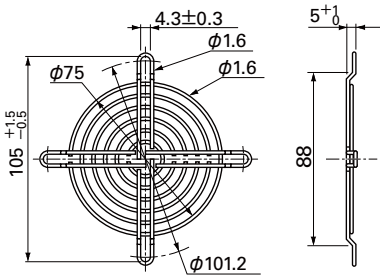
Model : 109-1002G



Mass : 10g

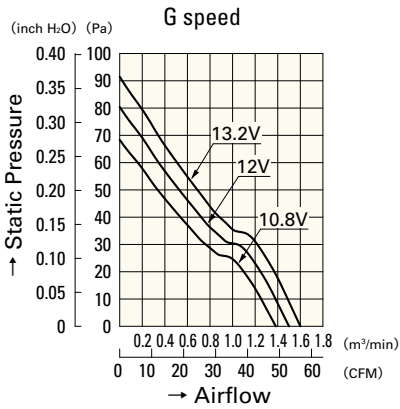
Model : 109-049E Surface treatment : Nickel-chrome plating (silver) Color : Nickel-chrome plating (silver)
 : 109-049H : Cation electropainting (black)

Inlet side, Outlet side

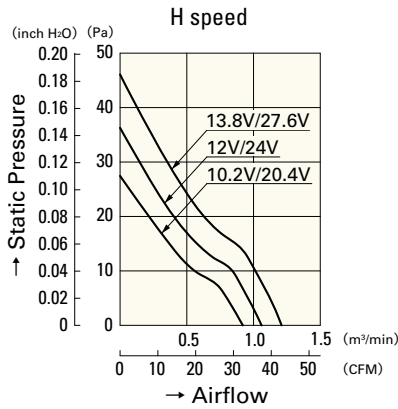


Mass : 21g

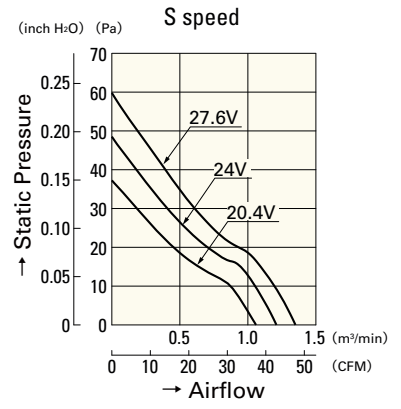
Airflow - Static Pressure Characteristics



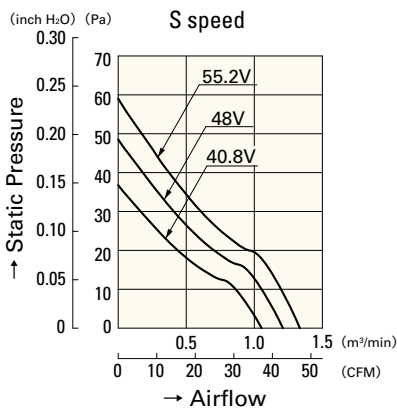
9WP0812G401



9WP0812H401
9WP0824H401



9WP0824S401



9WP0848S401

80mm sq.

San Ace 80WS



General Specifications

- Material Frame: Plastics (Flammability: UL94V-0),
Impeller: Plastics (Flammability: UL94V-1)
- Expected Life Refer to specifications (Indoor, L10:Survival rate: 90% at 60°C ,
rated voltage, and continuously run in a free air state)
- Lead Wire ⊕red ⊖black or blue (Sensor) yellow
- Storage Temperature -30°C to +70°C (Non-condensing)

80×80×25mm (Mass : 120g) **IP 54** **9WS** type

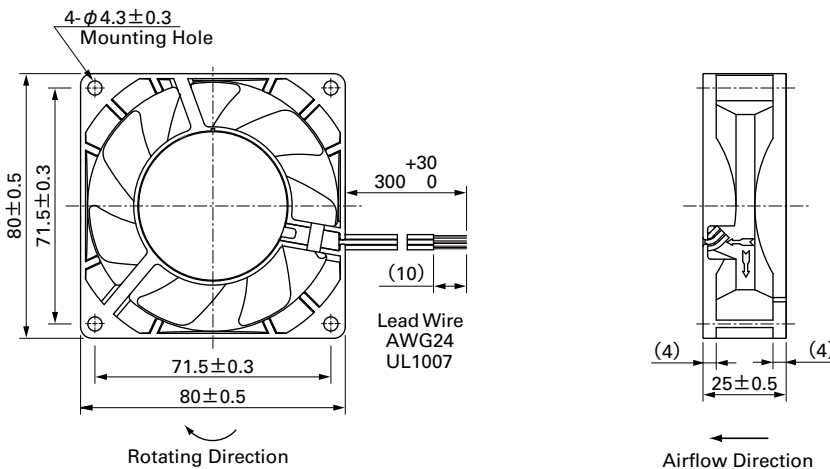
Specifications

The following nos. **have pulse sensors and ribs**. For ribless, append "1" to the model no.

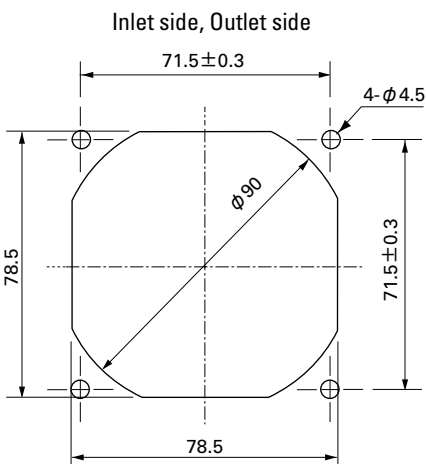
Model No.	Rated Voltage [V]	Operating Voltage Range [V]	Rated Current [A]	Rated Input [W]	Rated Speed [min ⁻¹]	Max. Airflow [m ³ /min] [CFM]	Max. Static Pressure [Pa] [inchH ₂ O]	SPL [dB(A)]	Operating Temperature [°C]	Expected Life [h]	
9WS0812H401	12	10.2 to 13.8	0.16	1.92	3,100	0.94	33.2	45.1	0.181	- 20 to + 70	40,000/60°C
9WS0812F401			0.13	1.56	2,700	0.83	29.3	34.3	0.138		
9WS0812M401			0.1	1.2	2,200	0.65	23.0	23.5	0.094		
9WS0824H401	24	20.4 to 27.6	0.09	2.16	3,100	0.94	33.2	45.1	0.181	- 20 to + 70	40,000/60°C
9WS0824F401			0.07	1.68	2,700	0.83	29.3	34.3	0.138		
9WS0824M401			0.05	1.2	2,200	0.65	23.0	23.5	0.094		

Other sensor specifications are available as options. Please refer to the index (pp. 512 to 513).

Dimensions (unit: mm) (With ribs)



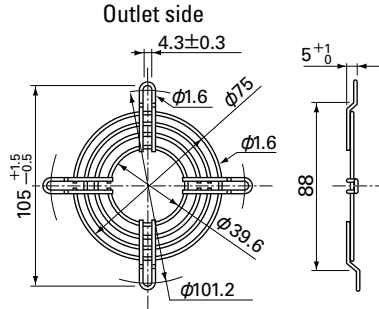
Reference Dimensions of Mounting Holes and Vent Opening (unit: mm)



Options (unit: mm)

Finger Guards

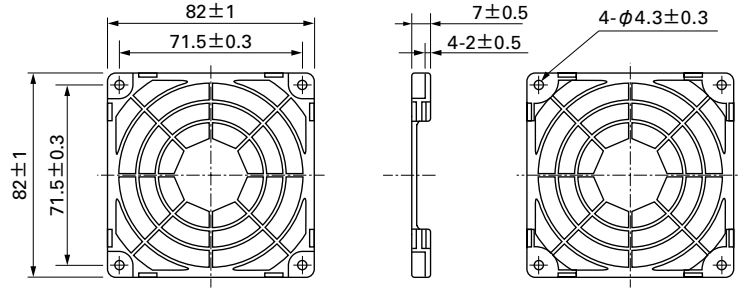
Model : 109-049C Surface treatment : Nickel-chrome plating (silver) Color : Nickel-chrome plating (silver)



Mass : 17g

Resin Finger Guards

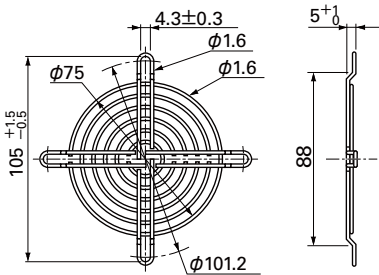
Model : 109-1002G



Mass : 10g

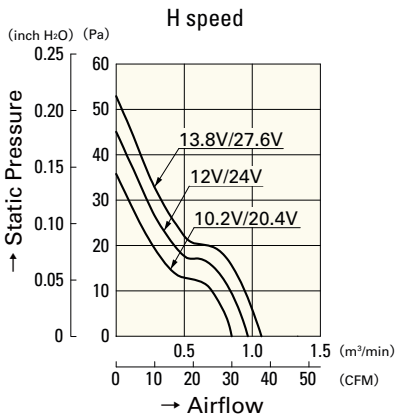
Model : 109-049E Surface treatment : Nickel-chrome plating (silver) Color : Nickel-chrome plating (silver)
: 109-049H : Cation electropainting (black)

Inlet side, Outlet side

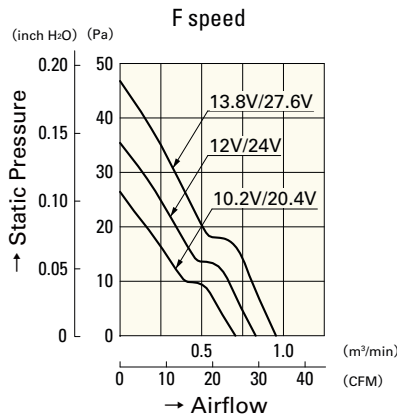


Mass : 21g

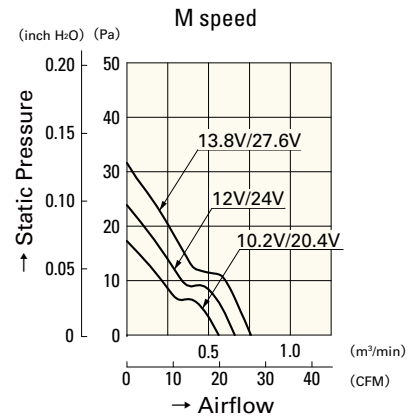
Airflow - Static Pressure Characteristics



9WS0812H401
9WS0824H401



9WS0812F401
9WS0824F401



9WS0812M401
9WS0824M401

80mm sq.

San Ace 80W



General Specifications

- Material Frame: Plastics (Flammability: UL94V-0),
Impeller: Plastics (Flammability: UL94V-1)
- Expected Life Refer to specifications (Indoor, L10: Survival rate: 90% at 60°C ,
rated voltage, and continuously run in a free air state)
- Lead Wire ⊕red ⊖black (Sensor) yellow (Control) brown
- Storage Temperature -30°C to +70°C (Non-condensing)

80×80×38mm (Mass : 235g) **IP 68** **9WV**type

Specifications

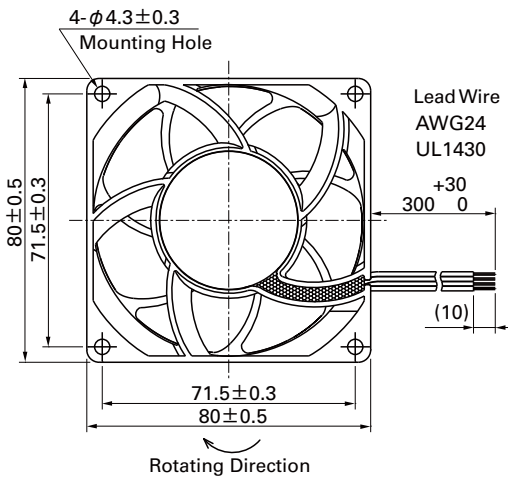
The following nos. **have PWM controls, pulse sensors, and ribs.** For ribless, append "1" to the model no.

Model No.	Rated Voltage [V]	Operating Voltage Range [V]	PWM duty cycle* [%]	Rated Current [A]	Rated Input [W]	Rated Speed [min ⁻¹]	Max. Airflow [m ³ /min] [CFM]	Max. Static Pressure [Pa] [inchH ₂ O]	SPL [dB(A)]	Operating Temperature [°C]	Expected Life [h]
9WV0812P1M001	12	10.2 to 13.8	100	0.75	9	6,000	2.29 80.9	169 0.68	51	-20 to +70	40,000/60°C (70,000/40°C)
			0	0.09	1.08	1,700	0.65 23	13.6 0.05	19		
9WV0848P1H001	48	40.8 to 52.8	100	0.75	36	9,700	3.7 131	440 1.77	63	-20 to +70	40,000/60°C (70,000/40°C)
			0	0.15	7.2	4,500	1.72 60.7	94.7 0.38	43		

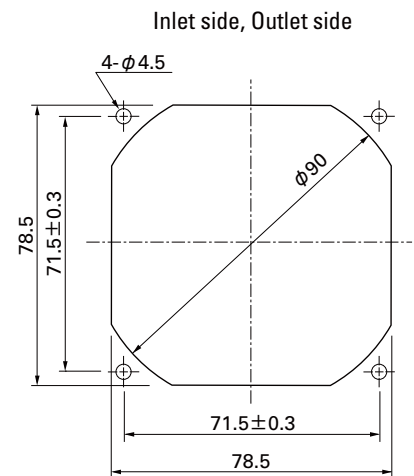
*PWM Frequency : 25kHz

Other sensor specifications are available as options. Please refer to the index (p. 513).

Dimensions (unit: mm) (With ribs)



Reference Dimensions of Mounting Holes and Vent Opening (unit: mm)

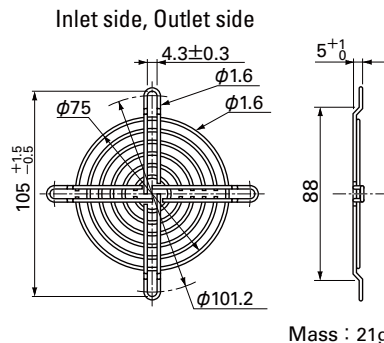
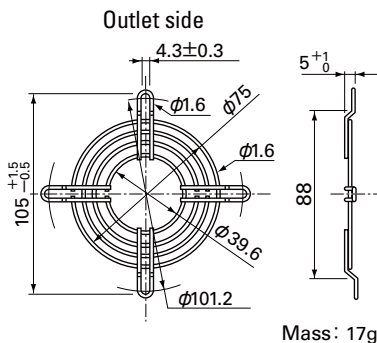


Options (unit: mm)

Finger Guards

Model : 109-049C Surface treatment : Nickel-chrome plating (silver) Color

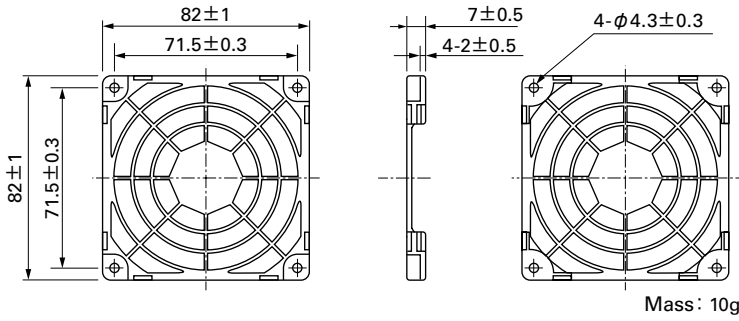
Model : 109-049E Surface treatment : Nickel-chrome plating (silver) Color
: 109-049H : Cation electropainting (black)



Options (unit: mm)

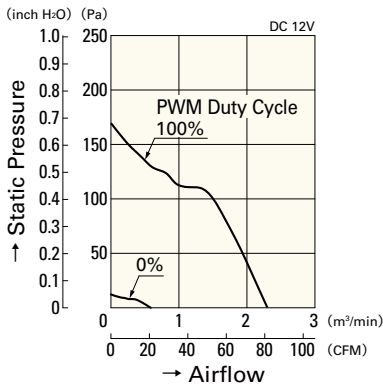
Resin Finger Guards

Model : 109-1002G

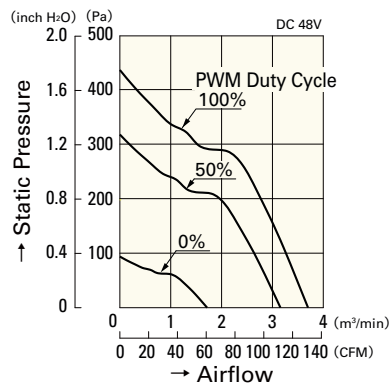


Airflow - Static Pressure Characteristics

PWM Duty Cycle

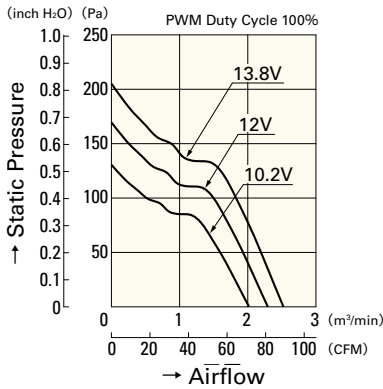


9WV0812P1M001

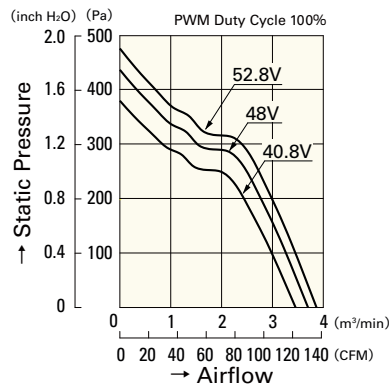


9WV0848P1H001

Operating Voltage Range

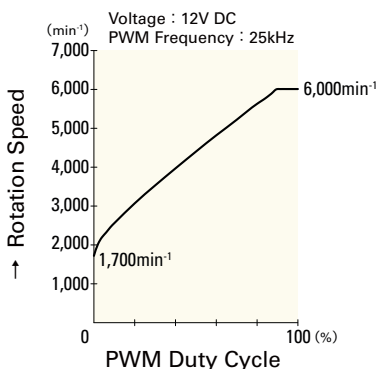


9WV0812P1M001

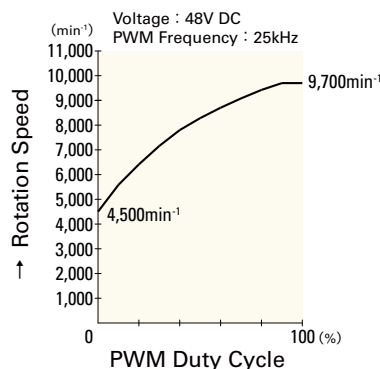


9WV0848P1H001

PWM Duty - Speed Characteristics Example



9WV0812P1M001



9WV0848P1H001

92mm sq.

San Ace 92W



General Specifications

- Material Frame: Aluminum (Black coating),
Impeller: Plastics (Flammability: UL94V-1)
- Expected Life Refer to specifications (Indoor, L10:Survival rate:90% at 60°C ,
rated voltage, and continuously run in a free air state)
- Lead Wire ⊕red ⊖black (Sensor) yellow (Control) brown
- Storage Temperature -30°C to +70°C (Non-condensing)

92×92×25mm (Mass : 170g)

IP 68

9WL type

High Airflow Long Life Fan



Specifications The following nos. have PWM controls and pulse sensors.

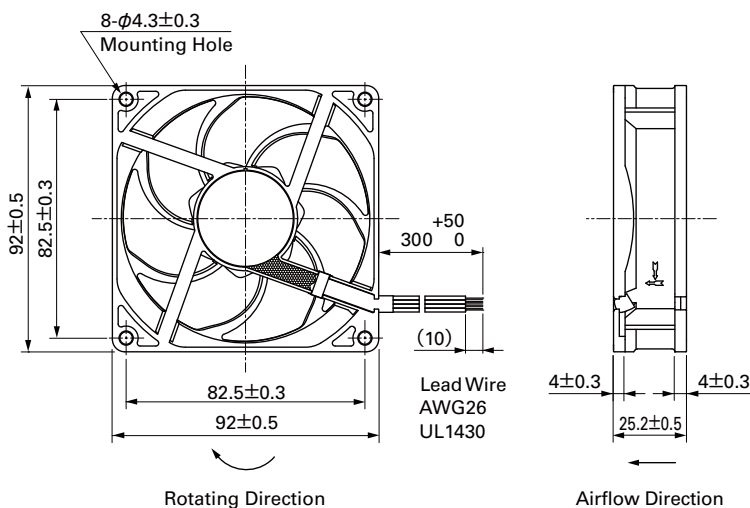
Model No.	Rated Voltage [V]	Operating Voltage Range [V]	PWM duty cycle ^{Note 1)} [%]	Rated Current [A]	Rated Input [W]	Rated Speed [min ⁻¹]	Max. Airflow [m ³ /min] [CFM]	Max. Static Pressure [Pa] [inchH ₂ O]	SPL [dB(A)]	Operating Temperature Range [°C]	Expected Life [h]		
9WL0912P4J001	12	10.8 to 13.2	100	0.42	5.04	5,000	2.2 77.7	105 0.42	44	-20 to +70	180,000/60°C		
			20	0.04	0.48	1,200	0.52 18.4	6.04 0.024	11				
9WL0912P4G001			100	0.30	3.60	4,400	1.93 68.2	81 0.33	40				
			20	0.04	0.48	1,000	0.43 15.1	4.18 0.016	8				
9WL0912P4S001			100	0.22	2.64	3,850	1.69 59.7	62.1 0.25	37				
			30	0.04	0.48	1,400	0.61 21.5	8.21 0.032	13				
9WL0912P4H001			100	0.15	1.80	3,150	1.38 48.7	41.6 0.17	32				
			30	0.04	0.48	1,100	0.48 16.9	5.07 0.020	9				
9WL0924P4J001			24	21.6 to 26.4	100	0.21	5.04	5,000	2.2 77.7			105 0.42	44
					20	0.02	0.48	1,100	0.48 16.9			5.07 0.020	9
9WL0924P4S001					100	0.11	2.64	3,850	1.69 59.7			62.1 0.25	37
					30	0.02	0.48	1,300	0.57 20.1			7.08 0.028	12
9WL0924P4H001	100	0.07			1.68	3,150	1.38 48.7	41.6 0.17	32				
	30	0.02			0.48	1,000	0.43 15.1	4.18 0.016	8				

Note : Fan does not rotate when PWM duty cycle is 0%.

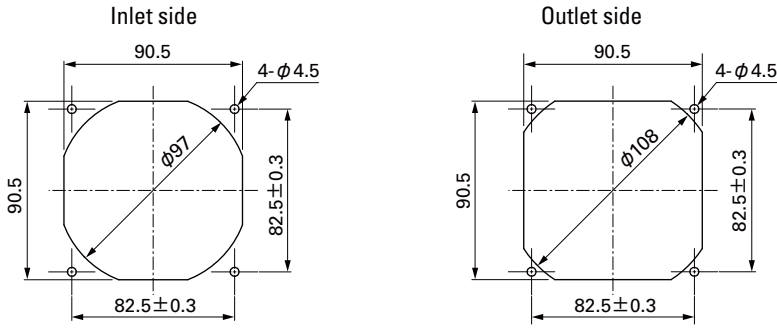
※PWM Frequency : 25kHz

Other sensor specifications are available as options. Please refer to the index (p. 512).

Dimensions (unit: mm)



Reference Dimensions of Mounting Holes and Vent Opening (unit: mm)

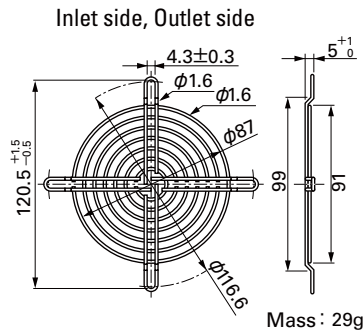
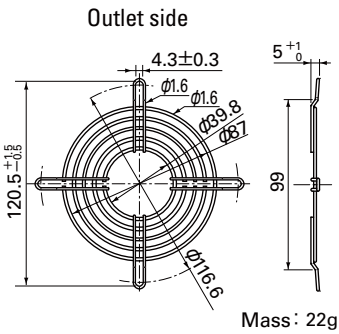


Options (unit: mm)

Finger Guards

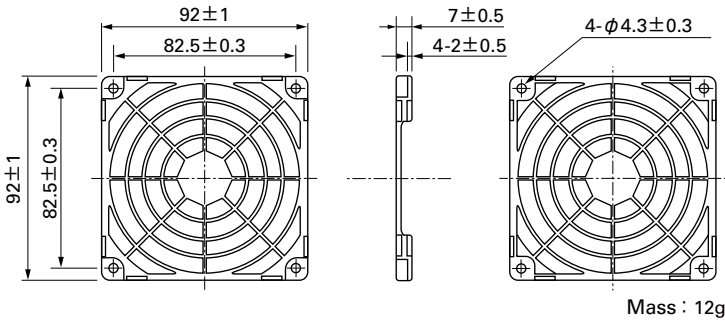
Model : 109-099C Color Surface treatment : Nickel-chrome plating (silver)

Model : 109-099E Color Surface treatment : Nickel-chrome plating (silver)
: 109-099H Color Surface treatment : Cation electropainting (black)



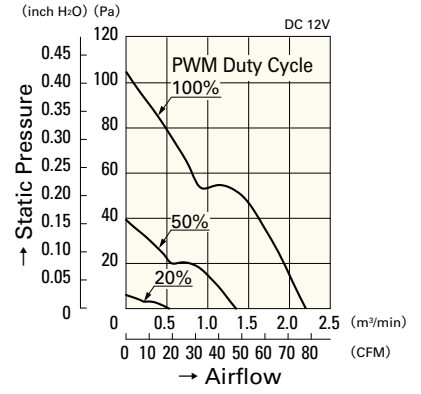
Resin Finger Guards

Model : 109-1001G



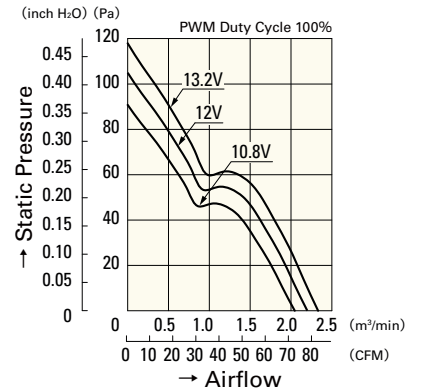
Airflow - Static Pressure Characteristics

PWM Duty Cycle



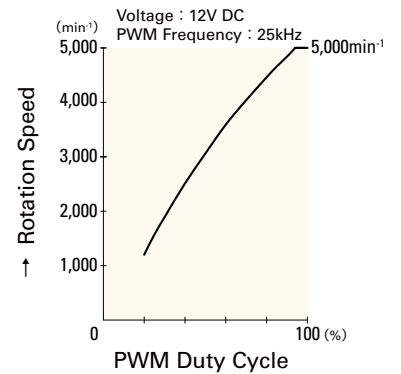
9WL0912P4J001

Operating Voltage Range



9WL0912P4J001

PWM Duty - Speed Characteristics Example



9WL0912P4J001

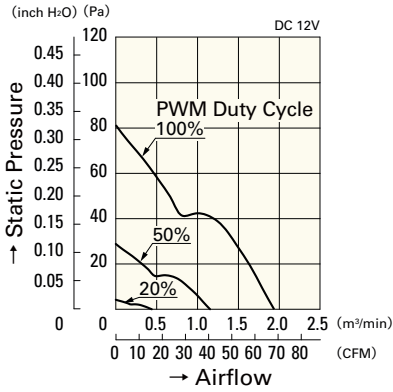
92mm sq.

San Ace 92W

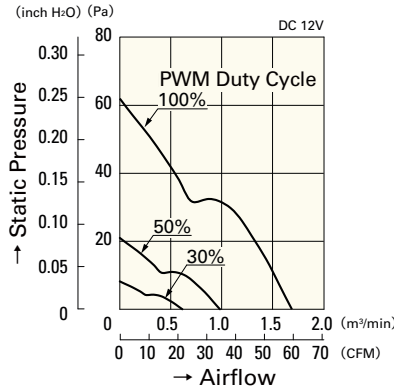
92×92×25mm [Mass : 170g]

Airflow - Static Pressure Characteristics

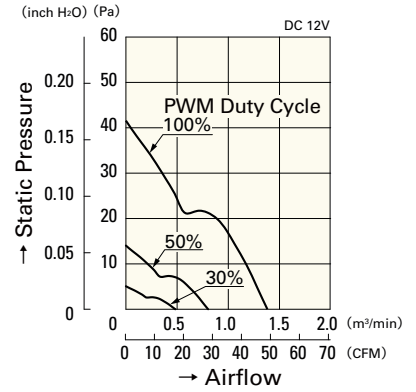
PWM Duty Cycle



9WL0912P4G001

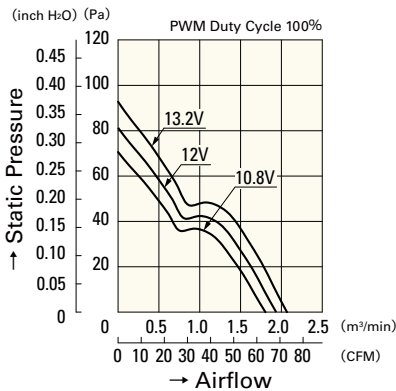


9WL0912P4S001

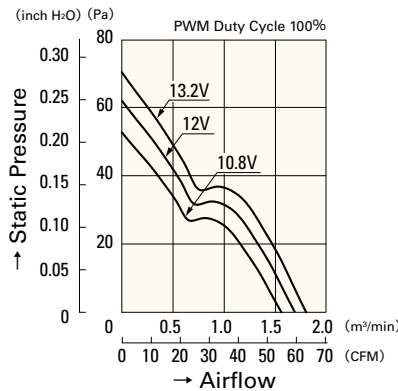


9WL0912P4H001

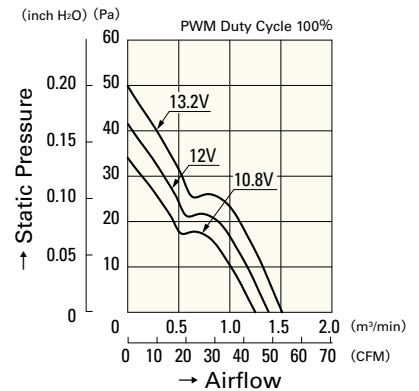
Operating Voltage Range



9WL0912P4G001

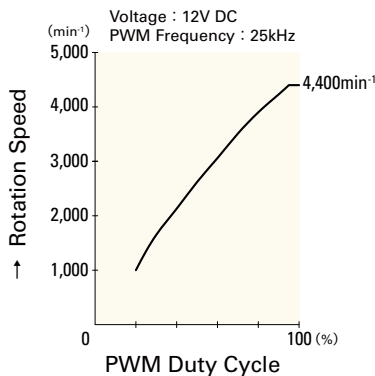


9WL0912P4S001

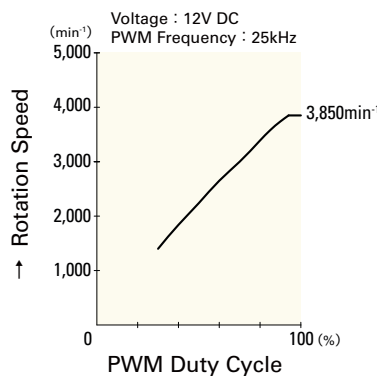


9WL0912P4H001

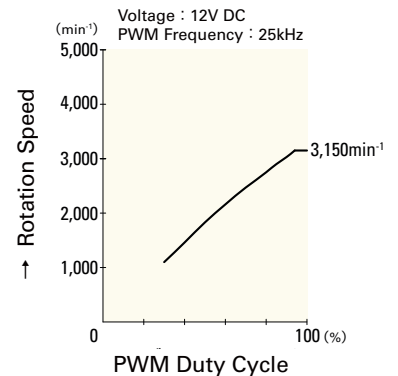
PWM Duty - Speed Characteristics Example



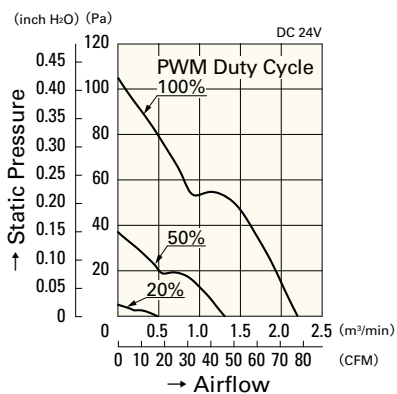
9WL0912P4G001



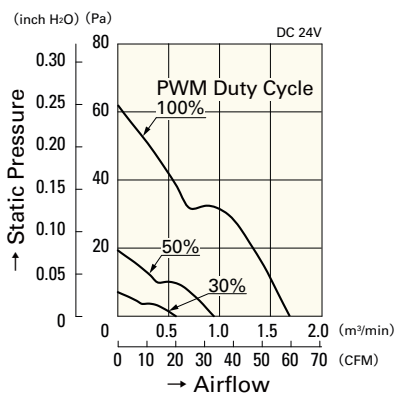
9WL0912P4S001



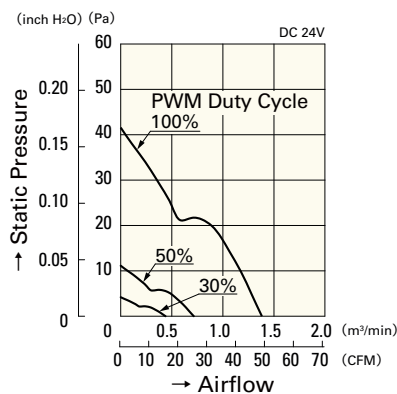
9WL0912P4H001



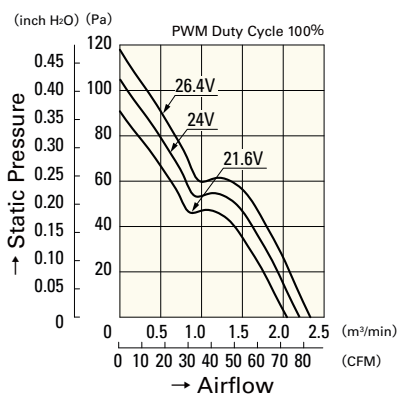
9WL0924P4J001



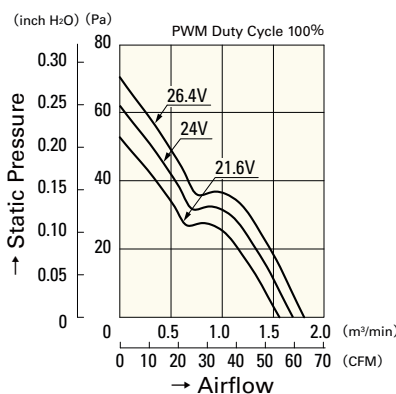
9WL0924P4S001



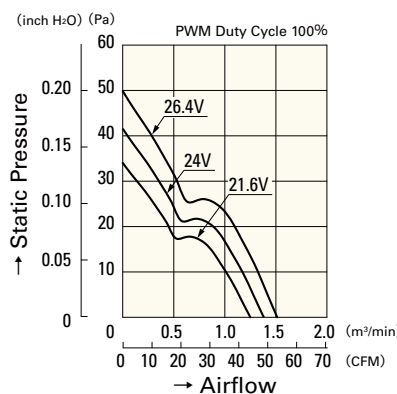
9WL0924P4H001



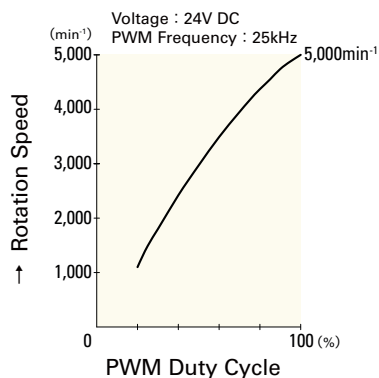
9WL0924P4J001



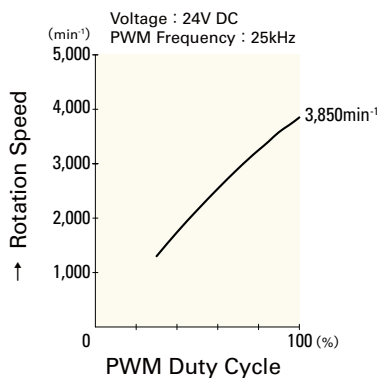
9WL0924P4S001



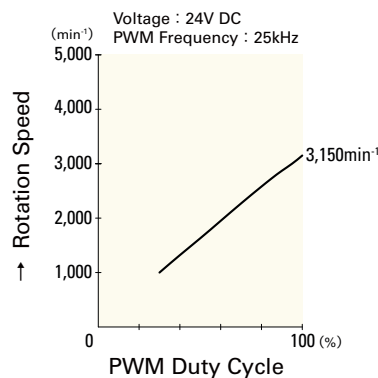
9WL0924P4H001



9WL0924P4J001



9WL0924P4S001



9WL0924P4H001

92mm sq.

San Ace 92WS



General Specifications

- Material Frame: Plastics (Flammability: UL94V-0),
Impeller: Plastics (Flammability: UL94V-1)
- Expected Life Refer to specifications (Indoor, L10:Survival rate: 90% at 60°C ,
rated voltage, and continuously run in a free air state)
- Lead Wire ⊕red ⊖black or blue (Sensor) yellow
- Storage Temperature -30°C to +70°C (Non-condensing)

92×92×25mm (Mass : 150g) **IP 54** **9WS** type

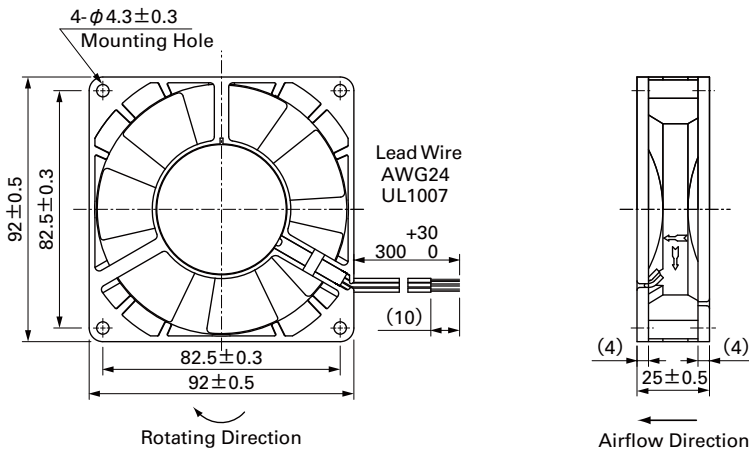
Specifications

The following nos. have pulse sensors and ribs.

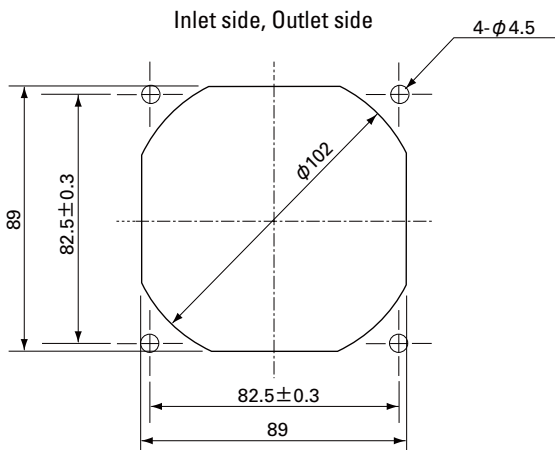
Model No.	Rated Voltage [V]	Operating Voltage Range [V]	Rated Current [A]	Rated Input [W]	Rated Speed [min ⁻¹]	Max. Airflow [m ³ /min] [CFM]	Max. Static Pressure [Pa] [inchH ₂ O]	SPL [dB(A)]	Operating Temperature [°C]	Expected Life [h]
9WS0912H401	12	10.2 to 13.8	0.17	2.04	2,850	1.38 48.7	45.1 0.181	33	- 20 to + 70	40,000/60°C
9WS0912F401			0.13	1.56	2,450	1.18 41.7	32.3 0.130	30		
9WS0912M401			0.1	1.2	2,100	1.01 35.7	23.5 0.094	27		
9WS0912L401			0.06	0.72	1,700	0.8 28.2	16.7 0.067	23		
9WS0924H401	24	20.4 to 27.6	0.1	2.4	2,850	1.38 48.7	45.1 0.181	33		
9WS0924F401			0.07	1.68	2,450	1.18 41.7	32.3 0.130	30		
9WS0924M401			0.06	1.44	2,100	1.01 35.7	23.5 0.094	27		
9WS0924L401			0.05	1.2	1,700	0.8 28.2	16.7 0.067	23		

Other sensor specifications are available as options. Please refer to the index (p. 513).

Dimensions (unit: mm)



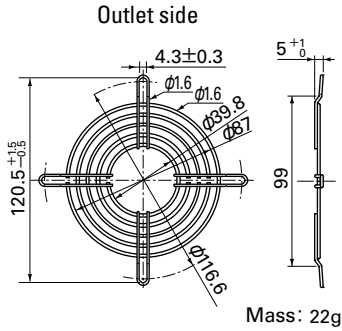
Reference Dimensions of Mounting Holes and Vent Opening (unit: mm)



Options (unit: mm)

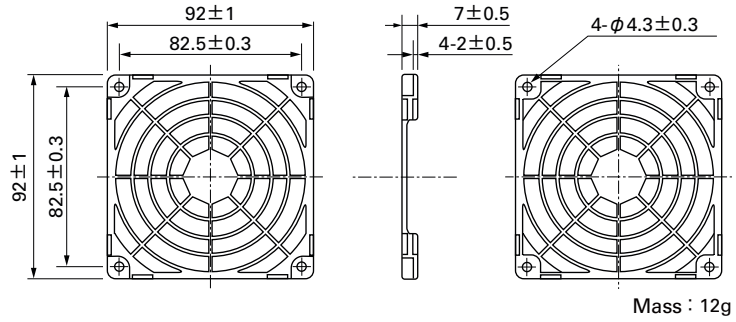
Finger Guards

Model : 109-099C Surface treatment : Nickel-chrome plating (silver) Color : Nickel-chrome plating (silver)



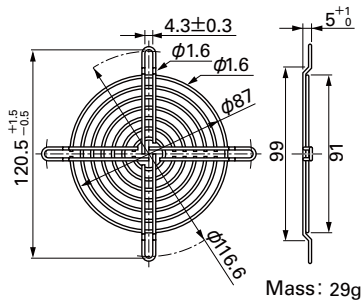
Resin Finger Guards

Model : 109-1001G

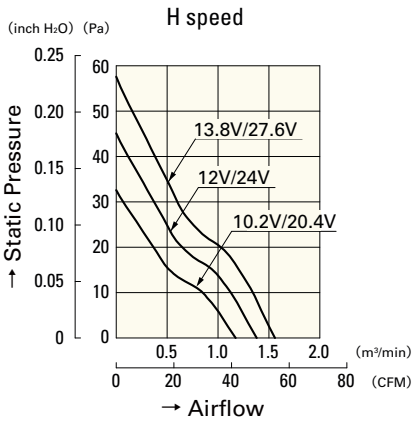


Model : 109-099E Surface treatment : Nickel-chrome plating (silver) Color : Nickel-chrome plating (silver)
: 109-099H : Cation electropainting (black)

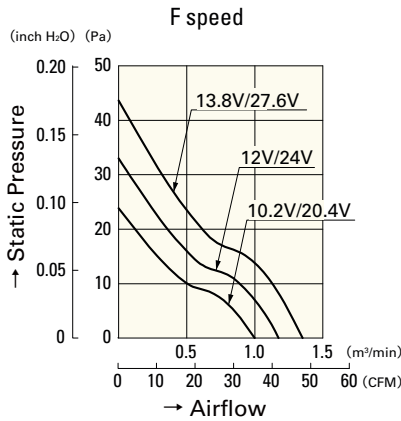
Inlet side, Outlet side



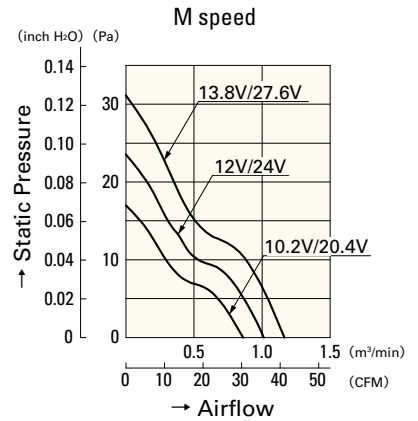
Airflow - Static Pressure Characteristics



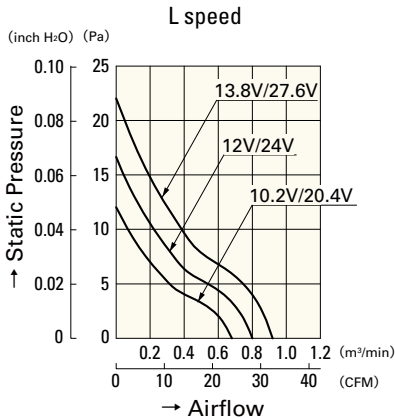
9WS0912H401
9WS0924H401



9WS0912F401
9WS0924F401



9WS0912M401
9WS0924M401



9WS0912L401
9WS0924L401

92mm sq.

San Ace 92W



Model no. 9WP0912S401, 9WP0912F401, 9WP0924S401 are not certified.

General Specifications

- Material Frame: Plastics (Flammability: UL94V-0),
Impeller: Plastics (Flammability: UL94V-0)
- Expected Life Refer to specifications (Indoor, L10:Survival rate: 90% at 60°C ,
rated voltage, and continuously run in a free air state)
- Lead Wire ⊕red ⊖black or blue (Sensor) yellow
- Storage Temperature -30°C to +70°C (Non-condensing)

92×92×25mm (Mass : 120g) **IP 68** **9WP**type

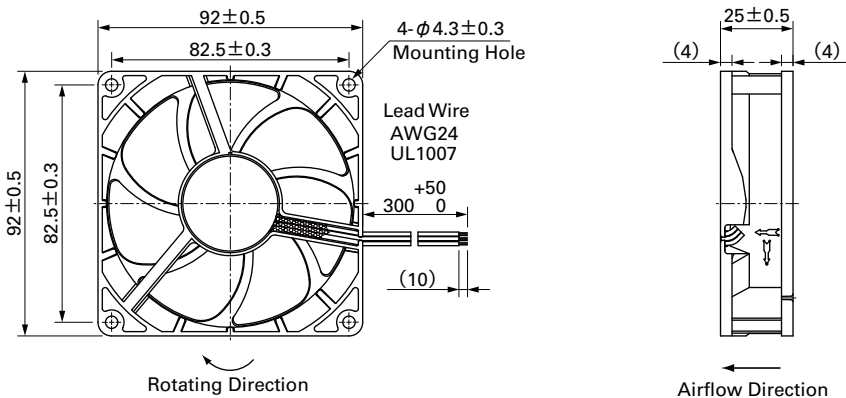
Specifications

The following nos. **have pulse sensors and ribs.** For ribless, append "1" to the model no.

Model No.	Rated Voltage [V]	Operating Voltage Range [V]	Rated Current [A]	Rated Input [W]	Rated Speed [min ⁻¹]	Max. Airflow [m ³ /min] [CFM]	Max. Static Pressure [Pa] [inchH ₂ O]	SPL [dB(A)]	Operating Temperature [°C]	Expected Life [h]		
9WP0912S401	12	6 to 13.8	0.27	3.24	3,550	1.66	58.6	56.1	0.225	-20 to +70	40,000/60°C	
9WP0912F401			0.14	1.68	2,650	1.24	43.8	32.2	0.129			30
9WP0924G401	24	12 to 27.6	0.19	4.56	3,900	1.76	62.2	66.5	0.267			43
9WP0924S401			0.15	3.6	3,550	1.66	58.6	56.1	0.225			39
9WP0924H401			0.1	2.4	3,150	1.45	51.2	44	0.177			33
9WP0924F401			0.08	1.92	2,650	1.24	43.8	32.2	0.129			30
9WP0924B401			0.05	1.20	2,000	0.90	31.8	18.0	0.072	23	-10 to +70	

Other sensor specifications are available as options. Please refer to the index (p. 512).

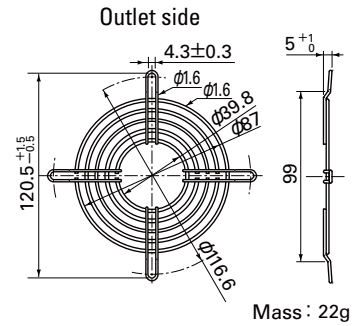
Dimensions (unit: mm)



Options (unit: mm)

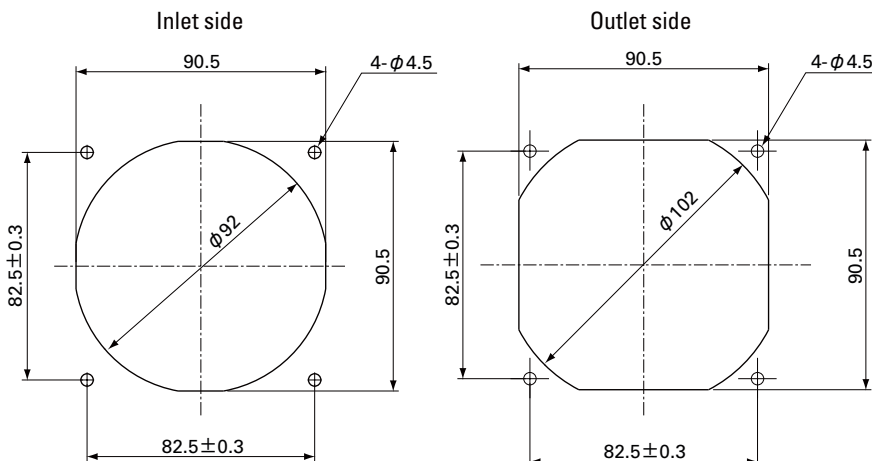
Finger Guards

Model : 109-D99C Surface treatment : Nickel-chrome plating (silver) Color

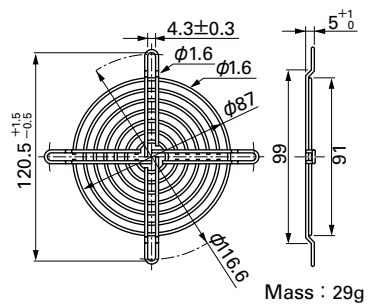


Model : 109-099E Surface treatment : Nickel-chrome plating (silver) Color
: 109-099H : Cation electroplating (black)

Reference Dimensions of Mounting Holes and Vent Opening (unit: mm)



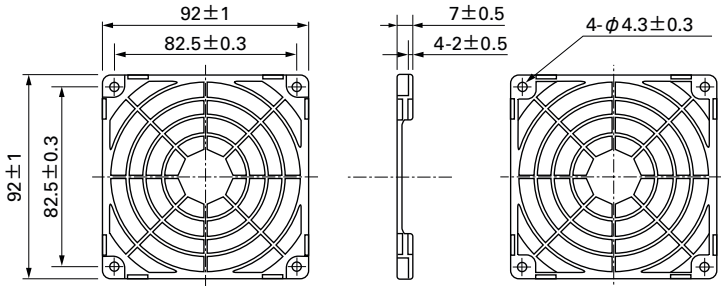
Inlet side, Outlet side



Options (unit: mm)

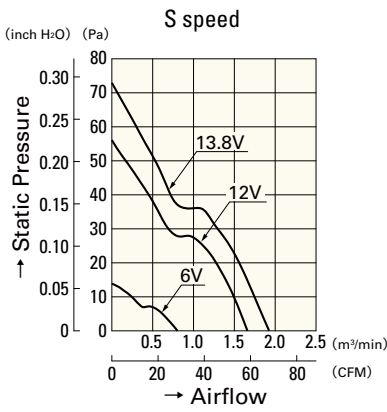
Resin Finger Guards

Model : 109-1001G

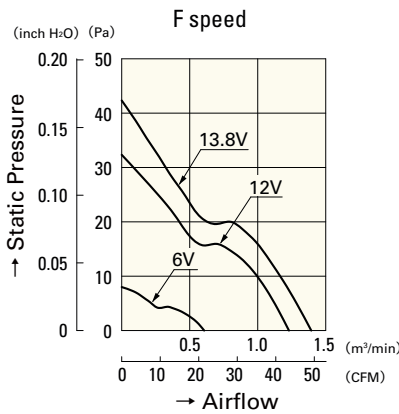


Mass : 12g

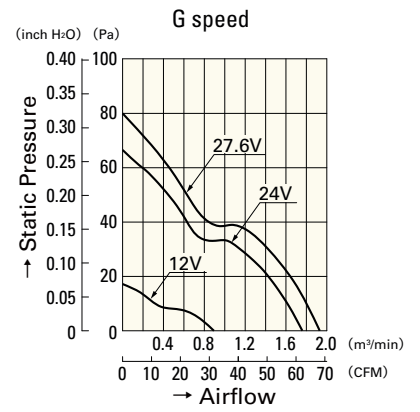
Airflow - Static Pressure Characteristics



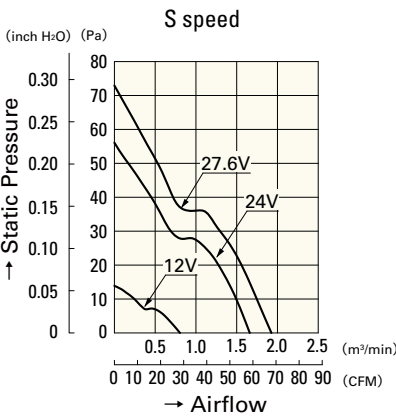
9WP0912S401



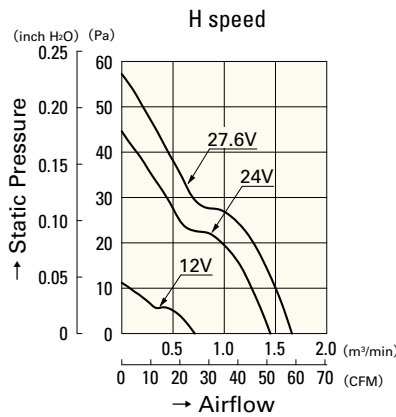
9WP0912F401



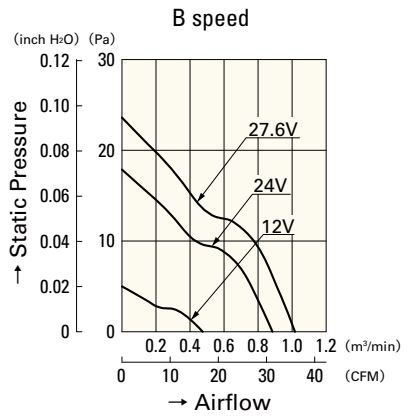
9WP0924G401



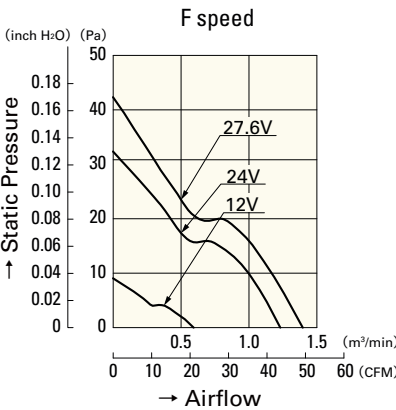
9WP0924S401



9WP0924H401



9WP0924B401



9WP0924F401

92mm sq.

San Ace 92W



General Specifications

- Material Frame: Plastics (Flammability: UL94V-0),
Impeller: Plastics (Flammability: UL94V-1)
- Expected Life Refer to specifications (Indoor, L10: Survival rate: 90% at 60°C ,
rated voltage, and continuously run in a free air state)
- Lead Wire ⊕red ⊖black (Sensor) yellow (Control) brown
- Storage Temperature -30°C to +70°C (Non-condensing)

92×92×38mm (Mass : 265g) **IP 68** **9WV**type

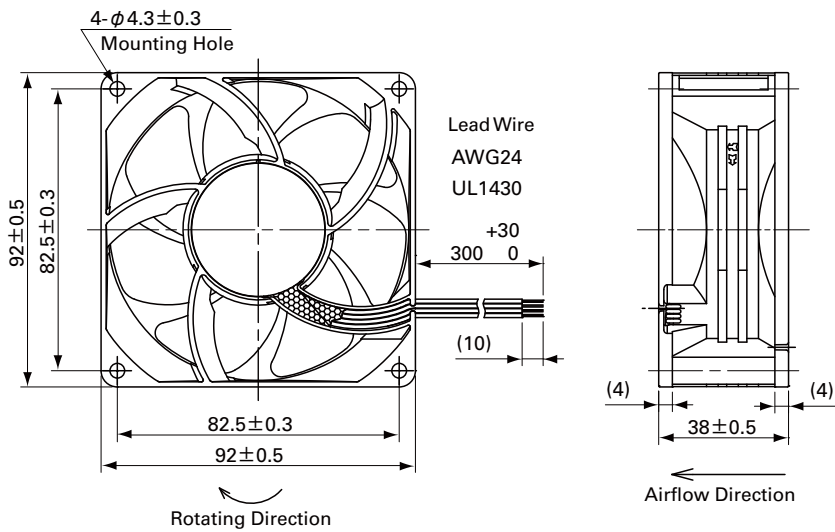
Specifications

The following nos. have PWM controls, pulse sensors, and ribs.

Model No.	Rated Voltage [V]	Operating Voltage Range [V]	PWM duty cycle* [%]	Rated Current [A]	Rated Input [W]	Rated Speed [min ⁻¹]	Max. Airflow [m ³ /min] [CFM]	Max. Static Pressure [Pa] [inchH ₂ O]	SPL [dB(A)]	Operating Temperature [°C]	Expected Life [h]
9WV0924P1H001	24	20.4 to 26.4	100	1.6	38.4	8,500	5.05 178	385 1.55	64	-20 to +60	30,000/60°C
			20	0.16	3.84	3,000	1.78 62.9	47.9 0.19	38		
9WV0948P1H001	48	40.8 to 52.8	100	0.82	39.4	8,500	5.05 178	385 1.55	64	-20 to +70	30,000/60°C
			0	0.14	6.7	4,000	2.37 83.7	85.2 0.34	45		

*PWM Frequency : 25kHz

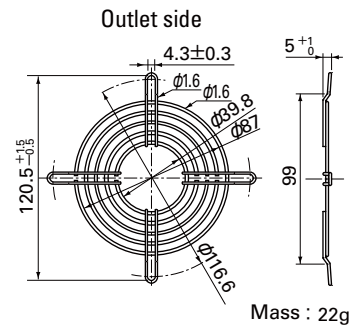
Dimensions (unit: mm)



Options (unit: mm)

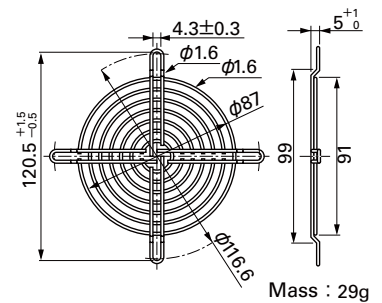
Finger Guards

Model : 109-099C Surface treatment : Nickel-chrome plating Color (silver)

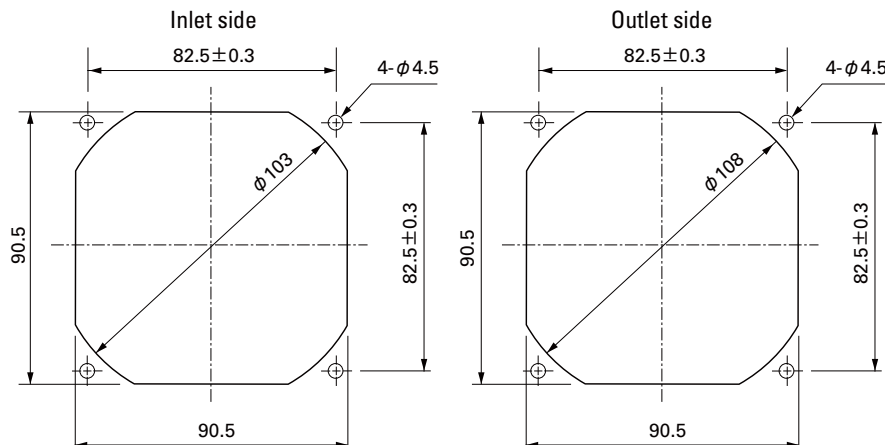


Model : 109-099E Surface treatment : Nickel-chrome plating Color (silver)
: 109-099H : Cation electropainting (black)

Inlet side, Outlet side



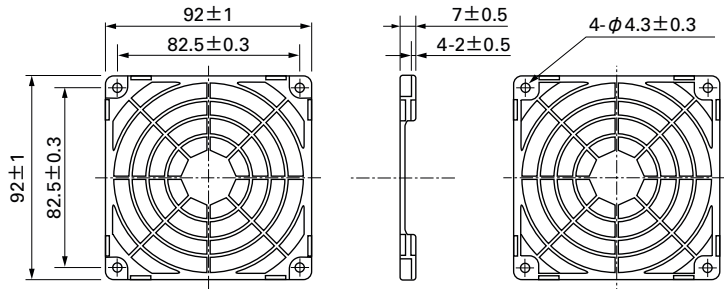
Reference Dimensions of Mounting Holes and Vent Opening (unit: mm)



Options (unit: mm)

Resin Finger Guards

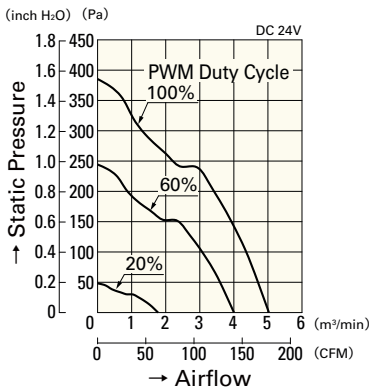
Model : 109-1001G



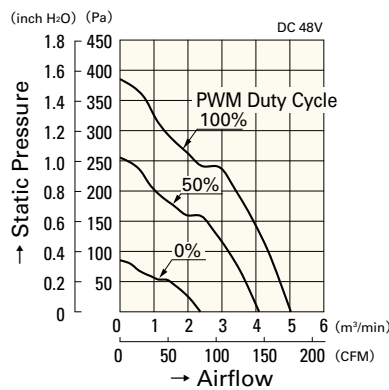
Mass : 12g

Airflow - Static Pressure Characteristics

PWM Duty Cycle

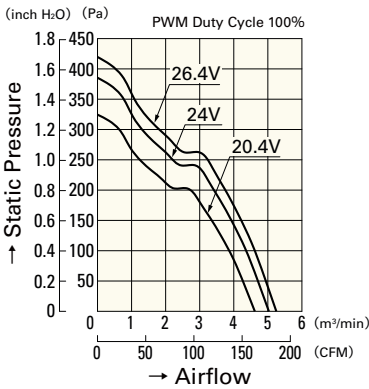


9WV0924P1H001

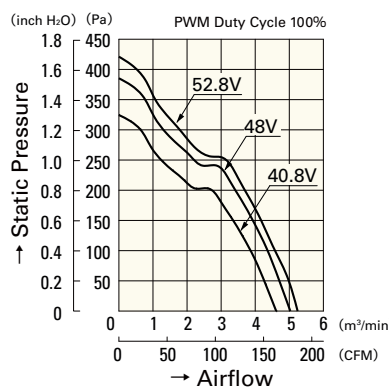


9WV0948P1H001

Operating Voltage Range

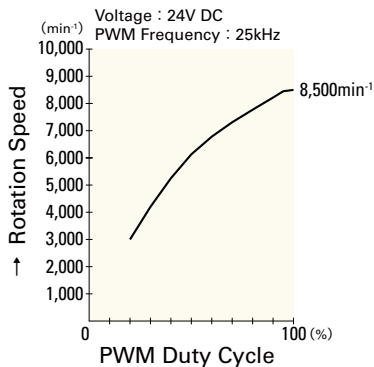


9WV0924P1H001

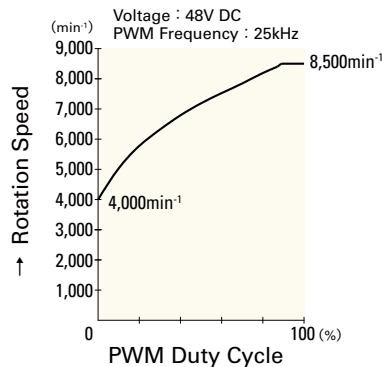


9WV0948P1H001

PWM Duty - Speed Characteristics Example



9WV0924P1H001



9WV0948P1H001

120mm sq.

San Ace 120W



General Specifications

- Material Frame: Aluminum,
Impeller: Plastics (Flammability: UL94V-1)
- Expected Life Refer to specifications (Indoor, L10: Survival rate: 90% at 60°C ,
rated voltage, and continuously run in a free air state)
- Lead Wire ⊕red ⊖black (Sensor) yellow (Control) brown
- Storage Temperature -30°C to +70°C (Non-condensing)

120×120×38mm [Mass : 440g] **IP 68** **9WV type**

Specifications

The following nos. **have PWM controls and pulse sensors.**

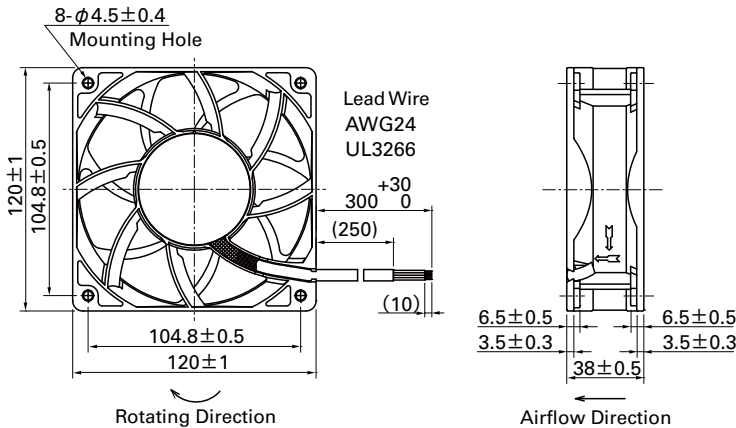
Model No.	Rated Voltage [V]	Operating Voltage Range [V]	PWM duty cycle* [%]	Rated Current [A]	Rated Input [W]	Rated Speed [min ⁻¹]	Max. Airflow [m ³ /min] [CFM]	Max. Static Pressure [Pa] [inchH ₂ O]	SPL [dB(A)]	Operating Temperature [°C]	Expected Life [h]
9WV1212P1J001	12	10.2 to 13.8	0	3	36	6,400	6.35 224.0	360 1.45	64	-20 to +70	60,000/60°C
9WV1224P1J601	24	20.4 to 27.6	100	1.5	36	6,400	6.35 224.0	360 1.450	64		
9WV1224P1H001 ^{Note1)}			0	0.12	2.88	1,500	1.49 52.6	26.1 0.105	33		
9WV1248P1J001	48	40.8 to 55.2	100	0.80	19.2	5,200	5.16 182	237 0.95	58		
			0	0.06	2.88	1,500	1.49 52.6	26.1 0.105	33		

Note: Fan does not rotate when PWM duty cycle is 0%.

※PWM Frequency : 25kHz

Other sensor specifications are available as options. Please refer to the index (p. 513).

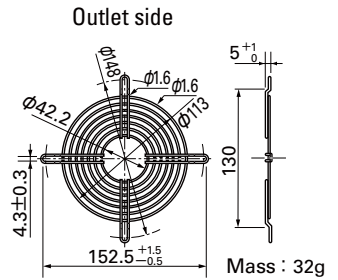
Dimensions (unit: mm)



Options (unit: mm)

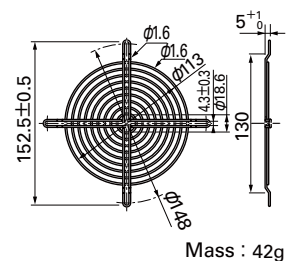
Finger Guards

Model : 109-019C Surface treatment : Nickel-chrome plating (silver)
: 109-019H : Cation electropainting (black)

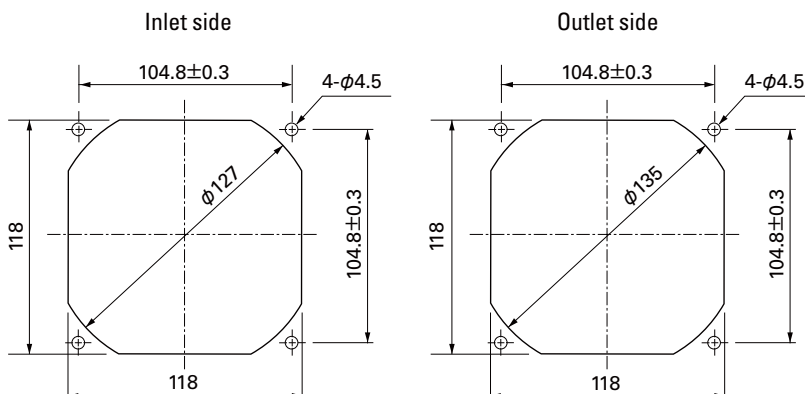


Model : 109-019E Surface treatment : Nickel-chrome plating (silver)
: 109-019K : Cation electropainting (black)

Inlet side, Outlet side



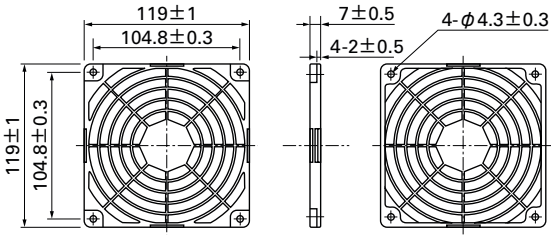
Reference Dimensions of Mounting Holes and Vent Opening (unit: mm)



Options (unit: mm)

Resin Finger Guards

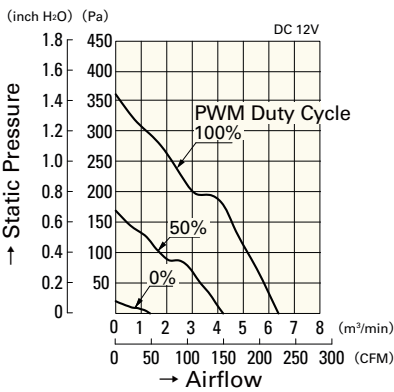
Model : 109-1000G



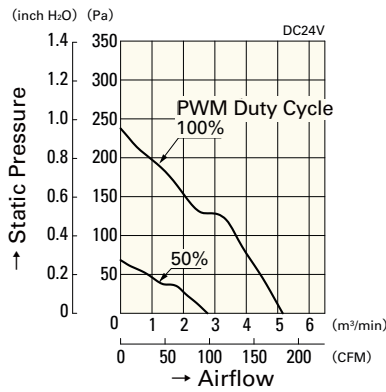
Mass : 23g

Airflow - Static Pressure Characteristics

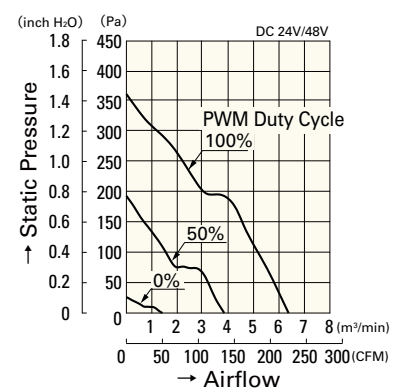
PWM Duty Cycle



9WV1212P1J001

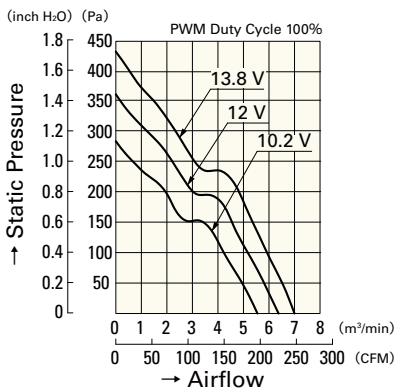


9WV1224P1H001

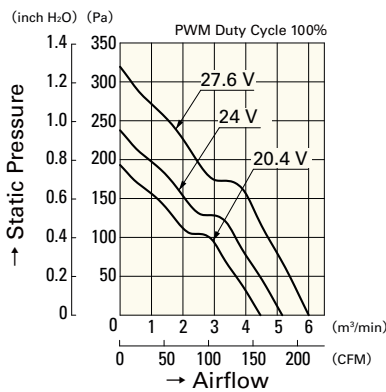


9WV1224P1J601
9WV1248P1J001

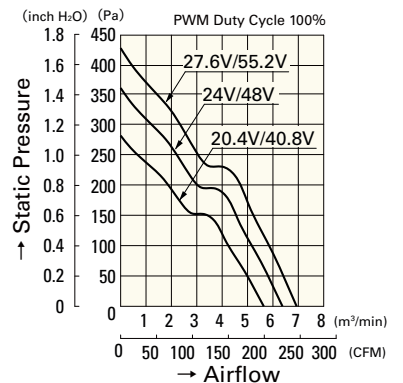
Operating Voltage Range



9WV1212P1J001

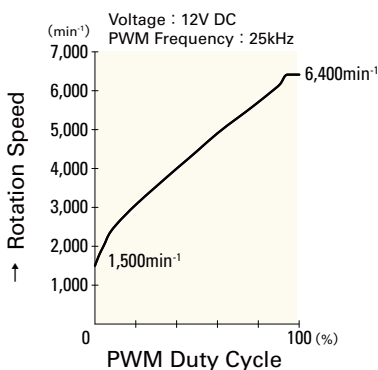


9WV1224P1H001

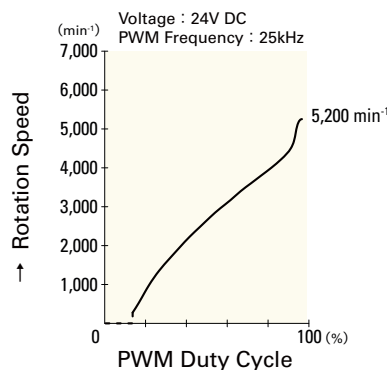


9WV1224P1J601
9WV1248P1J001

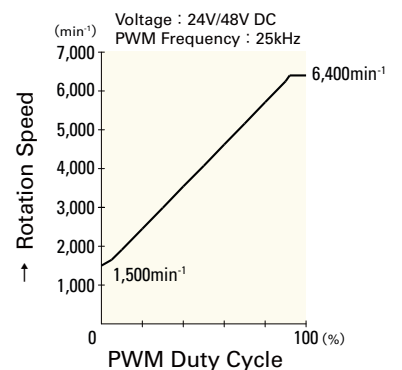
PWM Duty - Speed Characteristics Example



9WV1212P1J001



9WV1224P1H001



9WV1224P1J601
9WV1248P1J001

120mm sq.

San Ace 120W



General Specifications

- Material Frame: Plastics (Flammability: UL94V-0),
Impeller: Plastics (Flammability: UL94V-1)
- Expected Life Refer to specifications (Indoor, L10:Survival rate: 90% at 60°C ,
rated voltage, and continuously run in a free air state)
- Lead Wire ⊕red ⊖black (Sensor) yellow
- Storage Temperature -30°C to +70°C (Non-condensing)

120×120×38mm (Mass : 360g) **IP 68** **9WP** type

Specifications

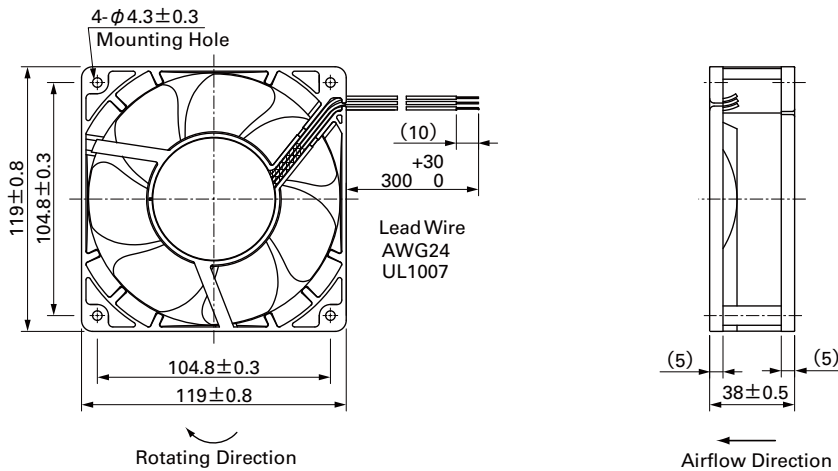
The following nos. **have pulse sensors and ribs**. For ribless, append "1" to the model no.

Model No.	Rated Voltage [V]	Operating Voltage Range [V]	Rated Current [A]	Rated Input [W]	Rated Speed [min ⁻¹]	Max. Airflow [m ³ /min] [CFM]	Max. Static Pressure [Pa] [inchH ₂ O]	SPL [dB(A)]	Operating Temperature [°C]	Expected Life [h]
9WP1212H101	12	7.0 to 13.8	0.38	4.56	2,600	2.80	99	70.4	0.283	39
9WP1212L101		10.2 to 13.8	0.14	1.68	1,500	1.62	57.2	23.4	0.094	26
9WP1224H101	24	14.0 to 27.6	0.22	5.28	2,600	2.80	99	70.4	0.283	39
9WP1248H101	48	40.8 to 55.2	0.11	5.28	2,600	2.80	99	70.4	0.283	39

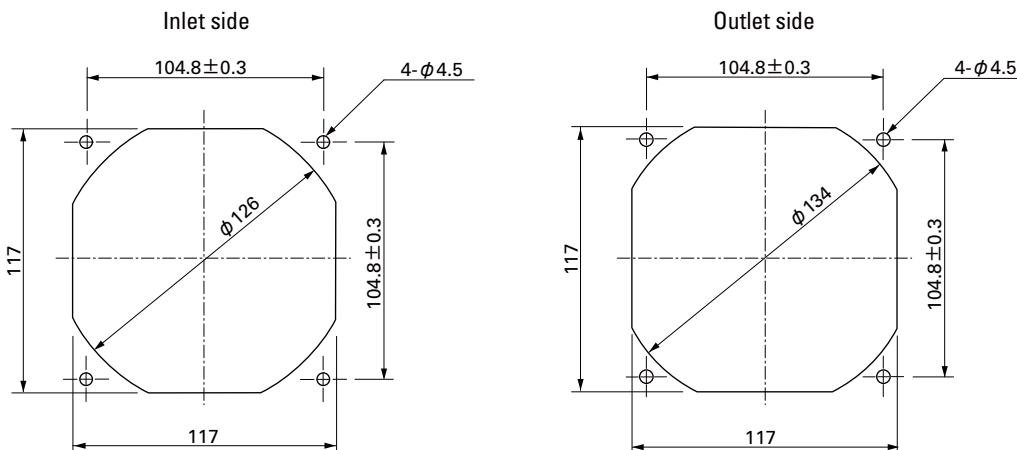
Other sensor specifications are available as options. Please refer to the index (p. 512).

Dimensions (unit: mm)

(With ribs)



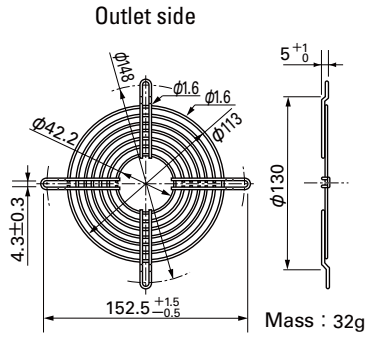
Reference Dimensions of Mounting Holes and Vent Opening (unit: mm)



Options (unit: mm)

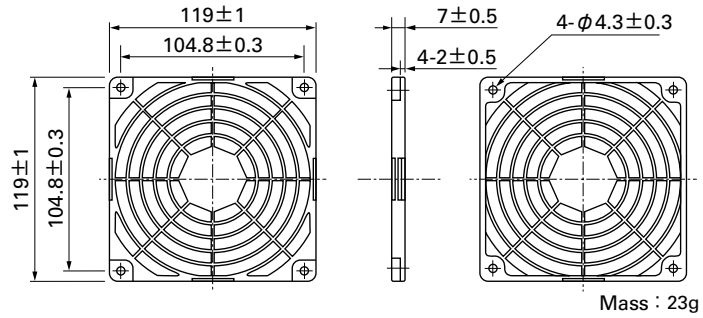
Finger Guards

Model : 109-019C Surface treatment : Nickel-chrome plating (silver) Color (silver)
 : 109-019H : Cation electropainting (black)



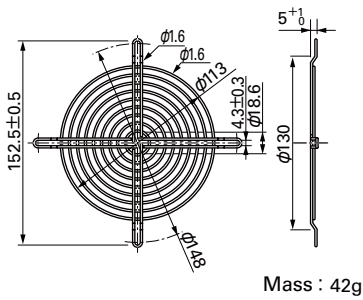
Resin Finger Guards

Model : 109-1000G



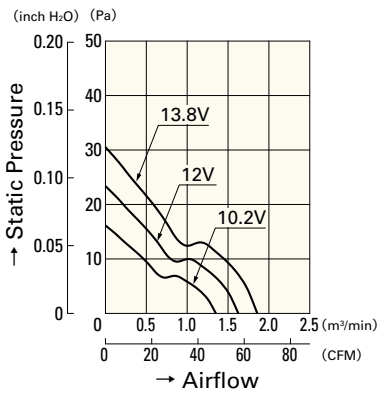
Model : 109-019E Surface treatment : Nickel-chrome plating (silver) Color (silver)
 : 109-019K : Cation electropainting (black)

Inlet side, Outlet side



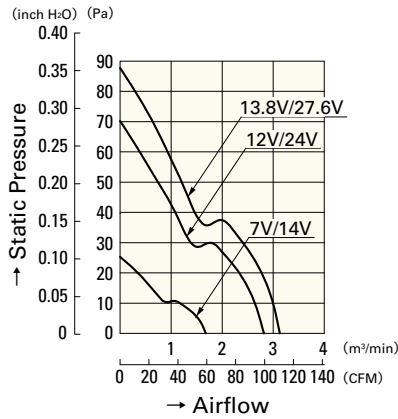
Airflow - Static Pressure Characteristics

L speed



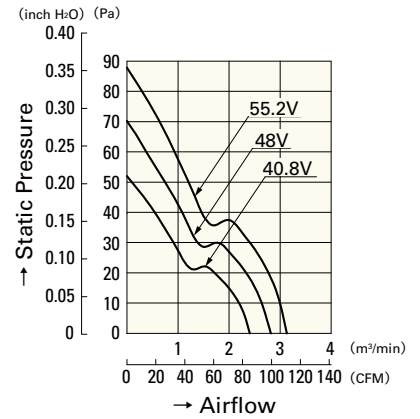
9WP1212L101

H speed



9WP1212H101
9WP1224H101

H speed



9WP1248H101

120mm sq.

San Ace 120W



General Specifications

- Material Frame: Aluminum,
Impeller: Plastics (Flammability: UL94V-1)
- Expected Life Refer to specifications (Indoor, L10:Survival rate: 90% at 60°C,
rated voltage, and continuously run in a free air state)
- Lead Wire ⊕red ⊖black or blue (Sensor) yellow
- Storage Temperature -30°C to +70°C (Non-condensing)

120×120×38mm [Mass : 410g] **IP 55** **9WG type**

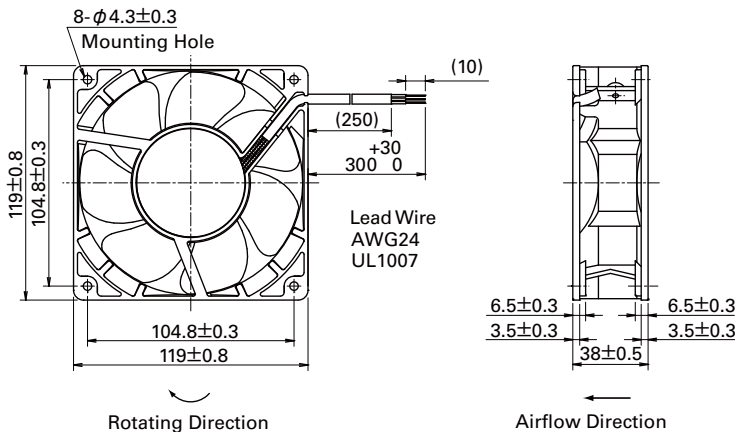
Specifications

The following nos. have pulse sensors.

Model No.	Rated Voltage [V]	Operating Voltage Range [V]	Rated Current [A]	Rated Input [W]	Rated Speed [min ⁻¹]	Max. Airflow [m ³ /min] [CFM]	Max. Static Pressure [Pa] [inchH ₂ O]	SPL [dB(A)]	Operating Temperature [°C]	Expected Life [h]	
9WG1212G101-E	12	10.2 to 13.8	0.98	11.76	3,600	3.88 137	135 0.542	49	- 20 to + 70	80,000/60°C	
9WG1212E101-E			0.61	7.32	3,100	3.34 118	100 0.402	46		100,000/60°C	
9WG1212H101-E		7 to 13.8	0.38	4.56	2,600	2.80 99	70.4 0.283	39		80,000/60°C	
9WG1212F101-E			0.28	3.36	2,280	2.45 87	54.2 0.218	36		100,000/60°C	
9WG1212M101-E			0.21	2.52	1,950	2.10 74	39.6 0.159	32		80,000/60°C	
9WG1224G101-E	24	20.4 to 27.6	0.50	12	3,600	3.88 137	135 0.542	49		- 20 to + 70	80,000/60°C
9WG1224E101-E			0.34	8.16	3,100	3.34 118	100 0.402	46			100,000/60°C
9WG1224H101-E		14 to 27.6	0.22	5.28	2,600	2.80 99	70.4 0.283	39			80,000/60°C
9WG1224F101-E			0.16	3.84	2,280	2.45 87	54.2 0.218	36			100,000/60°C
9WG1224M101-E			0.11	2.64	1,950	2.10 74	39.6 0.159	32			80,000/60°C
9WG1248G101-E	48	40.8 to 55.2	0.25	12	3,600	3.88 137	135 0.542	49	- 20 to + 70		80,000/60°C
9WG1248E101-E			0.17	8.16	3,100	3.34 118	100 0.402	46			100,000/60°C
9WG1248H101-E			0.11	5.28	2,600	2.80 99	70.4 0.283	39			80,000/60°C
9WG1248F101-E			0.09	4.32	2,280	2.45 87	54.2 0.218	36			100,000/60°C
9WG1248M101-E			0.07	3.36	1,950	2.10 74	39.6 0.159	32			80,000/60°C

Other sensor specifications are available as options. Please refer to the index (p. 511).

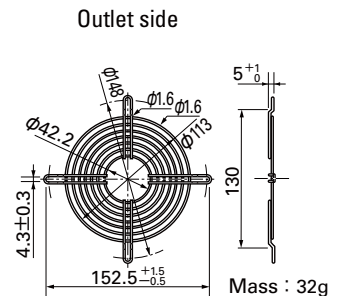
Dimensions (unit: mm)



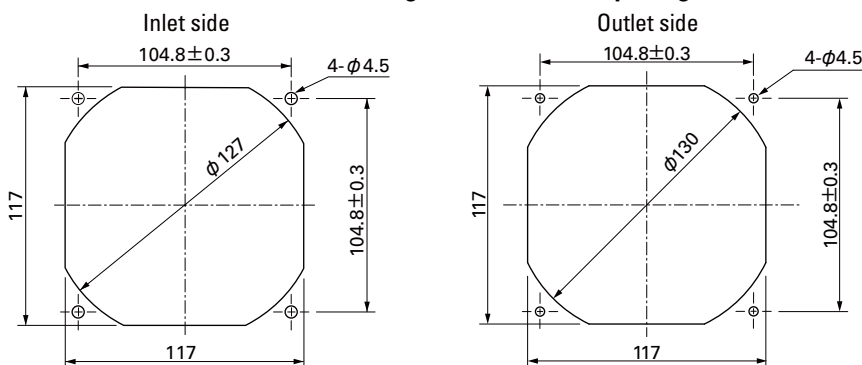
Options (unit: mm)

Finger Guards

Model : 109-019C Surface treatment : Nickel-chrome plating (silver) Color (silver)
: 109-019H : Cation electropainting (black)

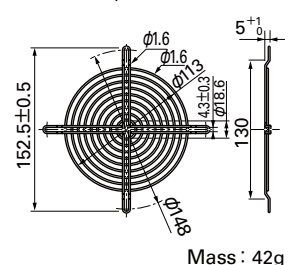


Reference Dimensions of Mounting Holes and Vent Opening (unit: mm)



Model : 109-019E Surface treatment : Nickel-chrome plating (silver) Color (silver)
: 109-019K : Cation electropainting (black)

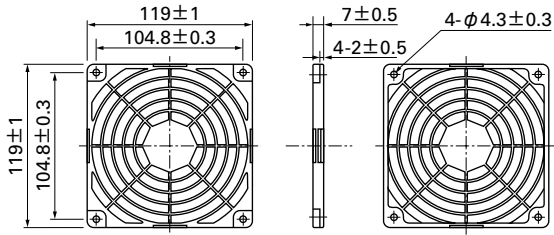
Inlet side, Outlet side



Options (unit: mm)

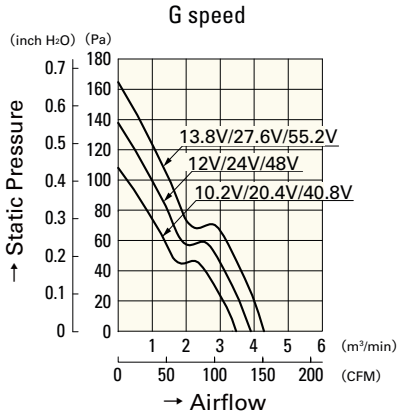
Resin Finger Guards

Model : 109-1000G

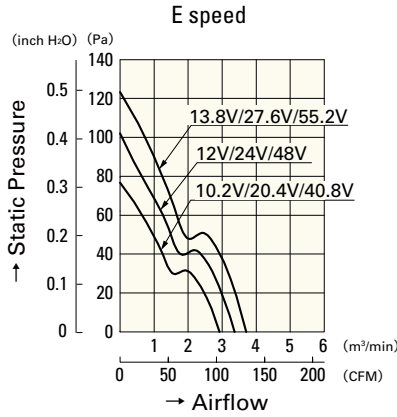


Mass : 23g

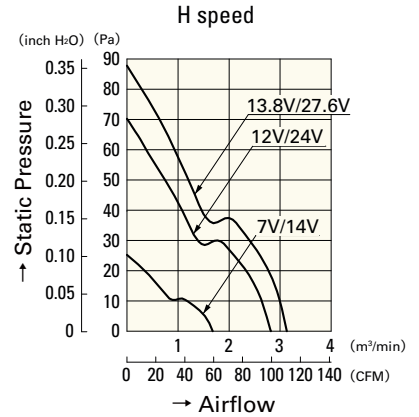
Airflow - Static Pressure Characteristics



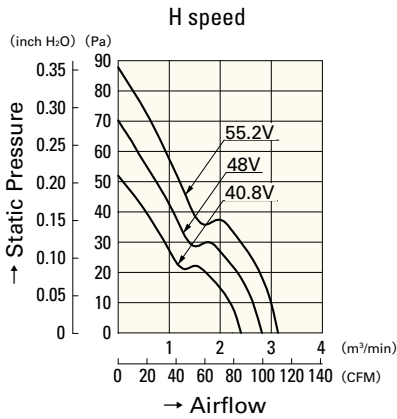
9WG1212G101-E
9WG1224G101-E
9WG1248G101-E



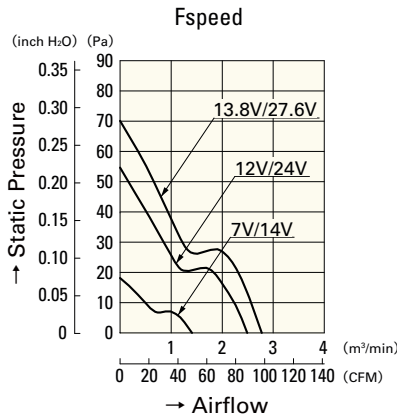
9WG1212E101-E
9WG1224E101-E
9WG1248E101-E



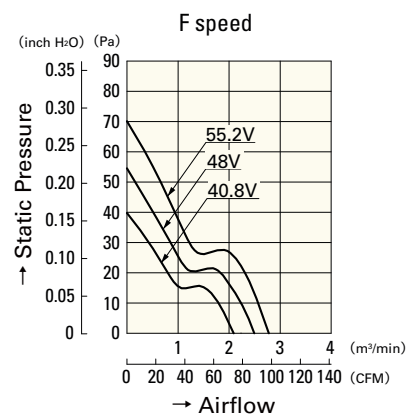
9WG1212H101-E
9WG1224H101-E



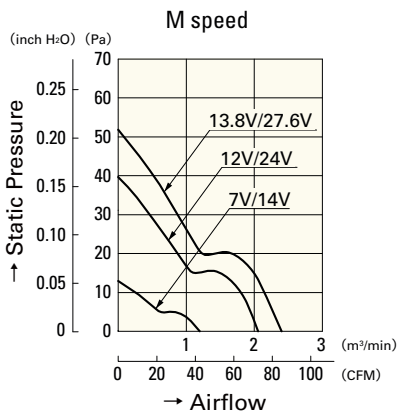
9WG1248H101-E



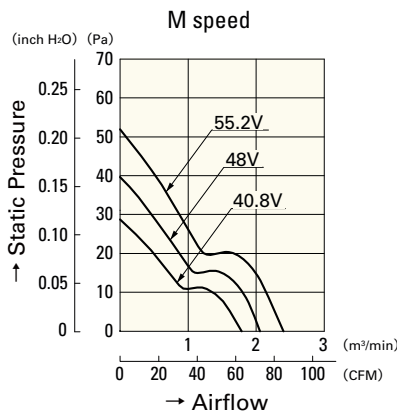
9WG1212F101-E
9WG1224F101-E



9WG1248F101-E



9WG1212M101-E
9WG1224M101-E



9WG1248M101-E

120 mm sq.

San Ace 120WS



General Specifications

- Material Frame: Plastics (Flammability: UL94V-0),
Impeller: Plastics (Flammability: UL94V-1)
- Expected Life Refer to specifications (Indoor, L10:Survival rate: 90% at 60°C ,
rated voltage, and continuously run in a free air state)
- Lead Wire ⊕red ⊖black or blue (Sensor) yellow
- Storage Temperature -30°C to +70°C (Non-condensing)

120×120×38mm [Mass : 260g] **IP 54** **9WS** type

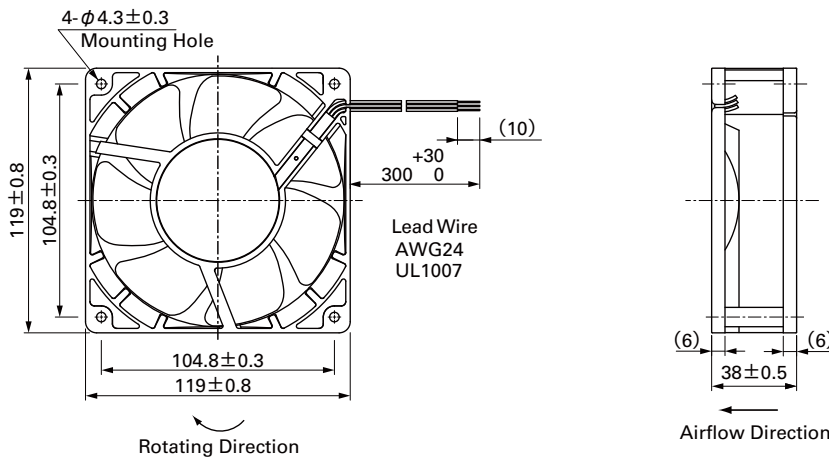
Specifications

The following nos. **have pulse sensors and ribs**. For ribless, append "1" to the model no.

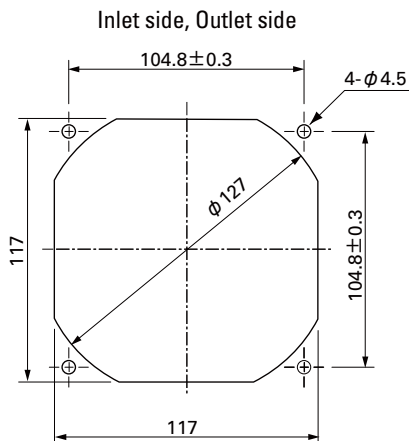
Model No.	Rated Voltage [V]	Operating Voltage Range [V]	Rated Current [A]	Rated Input [W]	Rated Speed [min ⁻¹]	Max. Airflow [m ³ /min] [CFM]	Max. Static Pressure [Pa] [inchH ₂ O]	SPL [dB(A)]	Operating Temperature [°C]	Expected Life [h]
9WS1212H101	12	6 to 13.2	0.47	5.64	2,600	2.9 102.4	67.62 0.272	39	- 20 to + 60	40,000/60°C
9WS1212M101		6 to 13.8	0.23	2.76	1,950	2.2 77.7	42.14 0.169	32	- 20 to + 70	
9WS1224H101	24	12 to 26.4	0.23	5.52	2,600	2.9 102.4	67.62 0.272	39	- 20 to + 60	
9WS1224M101		12 to 27.6	0.13	3.12	1,950	2.2 77.7	42.14 0.169	32	- 20 to + 70	
9WS1248H101	48	40.8 to 52.8	0.13	6.24	2,600	2.9 102.4	67.62 0.272	39	- 20 to + 60	
9WS1248M101		40.8 to 55.2	0.07	3.36	1,950	2.2 77.7	42.14 0.169	32	- 20 to + 70	

Other sensor specifications are available as options. Please refer to the index (p. 513).

Dimensions (unit: mm) (With ribs)



Reference Dimensions of Mounting Holes and Vent Opening (unit: mm)

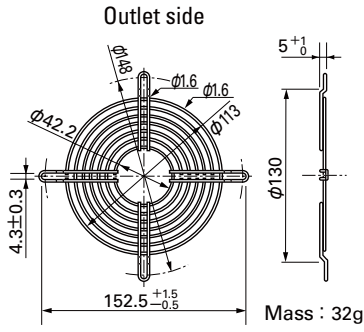


Options (unit: mm)

Finger Guards

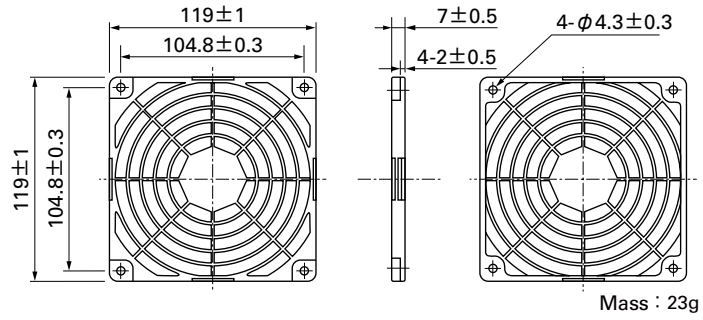
Model : 109-019C Surface treatment : Nickel-chrome plating (silver)
 : 109-019H : Cation electropainting (black)

Color



Resin Finger Guards

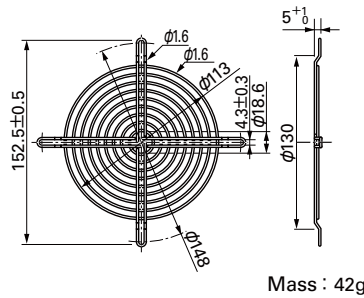
Model : 109-1000G



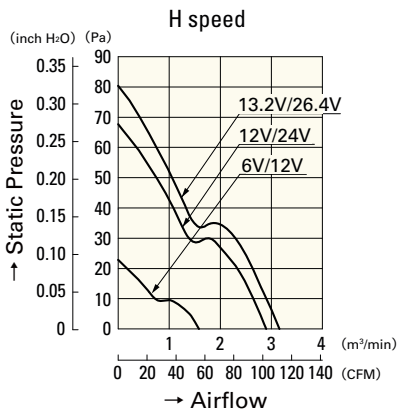
Model : 109-019E Surface treatment : Nickel-chrome plating (silver)
 : 109-019K : Cation electropainting (black)

Color

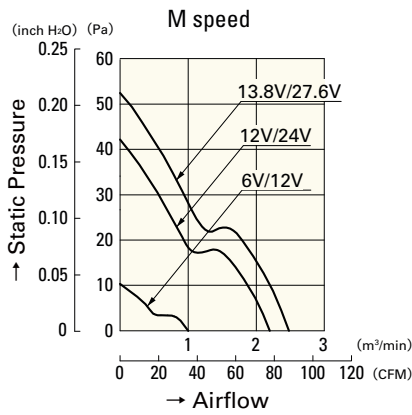
Inlet side, Outlet side



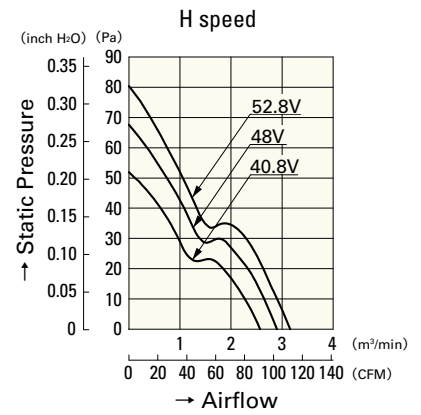
Airflow - Static Pressure Characteristics



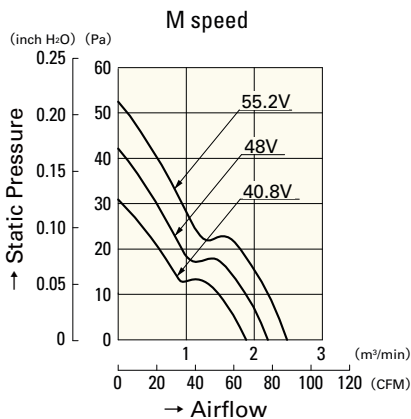
9WS1212H101
9WS1224H101



9WS1212M101
9WS1224M101



9WS1248H101



9WS1248M101

140mm sq.

San Ace 140W



General Specifications

- Material Frame: Aluminum,
Impeller: Plastics (Flammability: UL94V-1)
- Expected Life Refer to specifications (Indoor, L10:Survival rate: 90% at 60°C ,
rated voltage, and continuously run in a free air state)
- Lead Wire ⊕red ⊖black or blue (Sensor) yellow
- Storage Temperature -30°C to +70°C (Non-condensing)

140×140×38mm (Mass : 650g) **IP 68** **9W type**

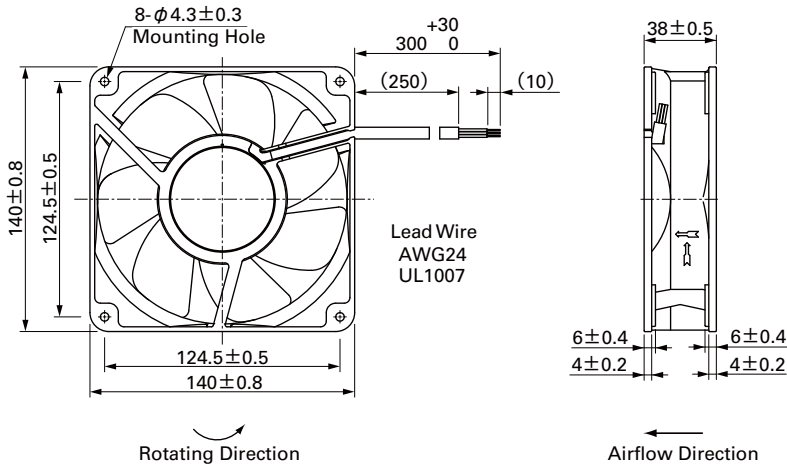
Specifications

The following nos. have pulse sensors.

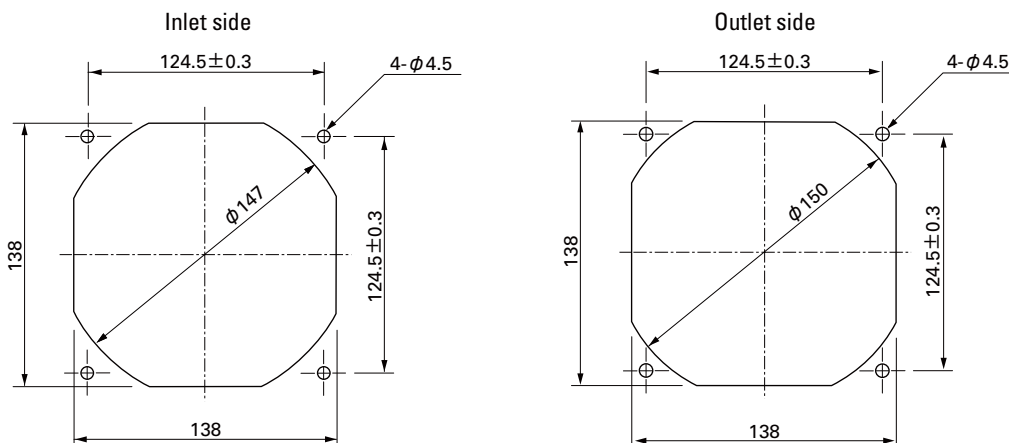
Model No.	Rated Voltage [V]	Operating Voltage Range [V]	Rated Current [A]	Rated Input [W]	Rated Speed [min ⁻¹]	Max. Airflow [m ³ /min] [CFM]	Max. Static Pressure [Pa] [inchH ₂ O]	SPL [dB(A)]	Operating Temperature [°C]	Expected Life [h]
109W1412H101-U	12	10.2 to 13.8	0.73	8.76	2,600	4.5 159	98 0.394	46	- 20 to + 70	100,000/60°C
109W1412M101-U			0.3	3.6	1,900	3.3 117	52 0.209	38		
109W1424H101-U	24	20.4 to 27.6	0.37	8.88	2,600	4.5 159	98 0.394	46		
109W1424M101-U			0.16	3.84	1,900	3.3 117	52 0.209	38		
109W1448H101-U	48	40.8 to 55.2	0.2	9.6	2,600	4.6 159	98 0.394	46		
109W1448M101-U			0.09	4.32	1,900	3.3 117	52 0.209	38		

Other sensor specifications are available as options. Please refer to the index (p. 499).

Dimensions (unit: mm)



Reference Dimensions of Mounting Holes and Vent Opening (unit: mm)



Options (unit: mm)

Finger Guards

Model : 109-719

Surface treatment : Nickel-chrome plating

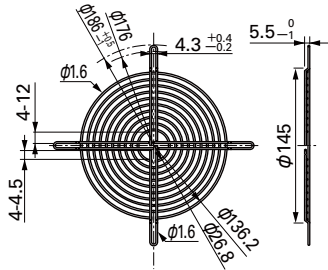
Color (silver)

Model : 109-719H

Surface treatment : Cation electropainting

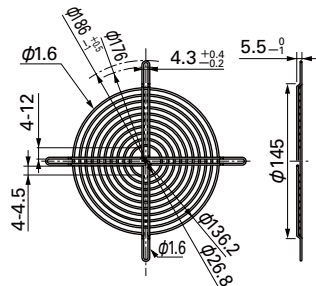
Color (black)

Inlet side, Outlet side



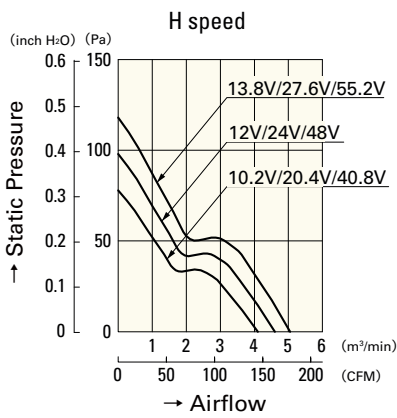
Mass : 51g

Inlet side, Outlet side



Mass : 51g

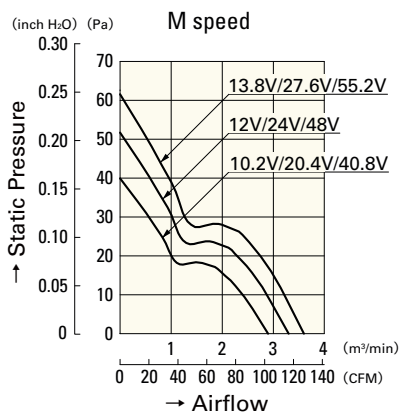
Airflow - Static Pressure Characteristics



109W1412H101-U

109W1424H101-U

109W1448H101-U



109W1412M101-U

109W1424M101-U

109W1448M101-U

DC

Splash Proof Fan 140mm

140mm sq.

San Ace 140W



General Specifications

- Material Frame: Aluminum,
Impeller: Plastics (Flammability: UL94V-1)
- Expected Life Refer to specifications (Indoor, L10:Survival rate: 90% at 60°C ,
rated voltage, and continuously run in a free air state)
- Lead Wire ⊕red ⊖black or blue (Sensor) yellow
- Storage Temperature -30°C to +70°C (Non-condensing)

140×140×51mm [Mass : 700g] **IP 68** **9WB type**

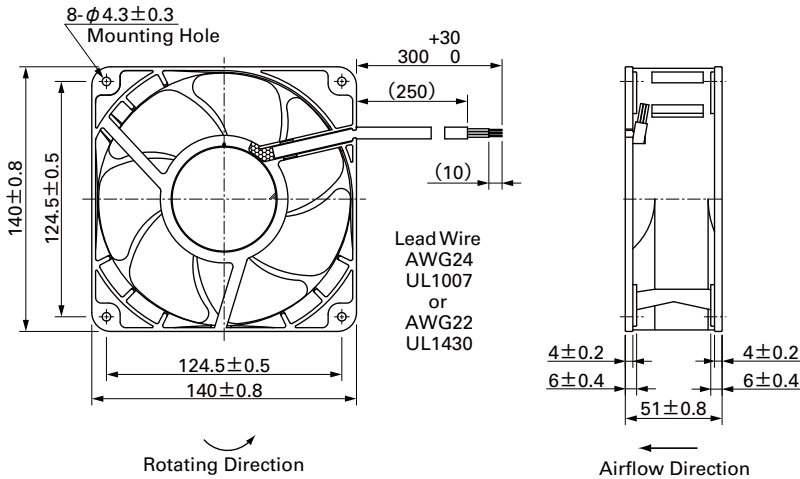
Specifications

The following nos. have pulse sensors.

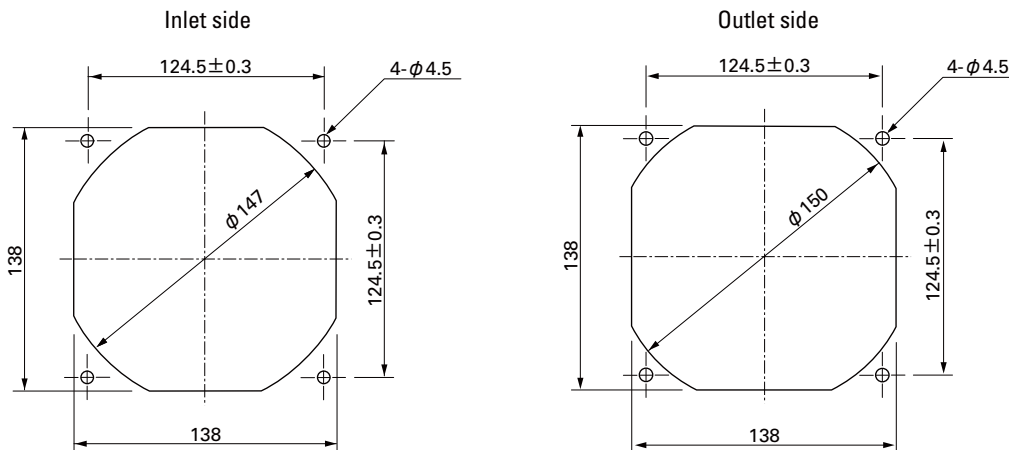
Model No.	Rated Voltage [V]	Operating Voltage Range [V]	Rated Current [A]	Rated Input [W]	Rated Speed [min ⁻¹]	Max. Airflow [m ³ /min] [CFM]	Max. Static Pressure [Pa] [inchH ₂ O]	SPL [dB(A)]	Operating Temperature [°C]	Expected Life [h]
9WB1412S501	12	10.2 to 13.8	2.7	32.4	4,200	8.1 286.2	240 0.96	57	- 20 to + 70	60,000/60°C
9WB1412H501			1.25	15	3,100	5.9 208.5	130 0.52	49		100,000/60°C
9WB1412M501			0.46	5.52	2,050	3.9 138	63 0.25	39		100,000/60°C
9WB1424H501	24	20.4 to 27.6	0.6	14.4	3,100	5.9 208.5	130 0.52	49		60,000/60°C
9WB1424M501			0.22	5.28	2,050	3.9 138	63 0.25	39		100,000/60°C
9WB1448S501	48	40.8 to 55.2	0.71	34.08	4,200	8.1 286.2	240 0.96	57		60,000/60°C
9WB1448H501			0.27	12.96	3,100	5.9 208.5	130 0.52	49	100,000/60°C	

Other sensor specifications are available as options. Please refer to the index (p. 511).

Dimensions (unit: mm)



Reference Dimensions of Mounting Holes and Vent Opening (unit: mm)



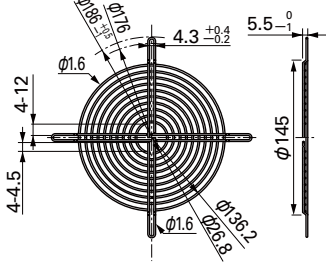
Options (unit: mm)

Finger Guards

Model : 109-719 Surface treatment : Nickel-chrome plating Color (silver)

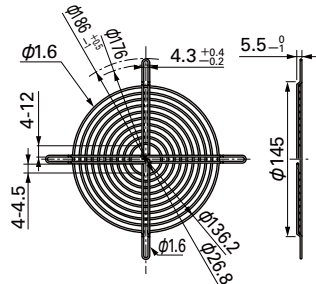
Model : 109-719H Surface treatment : Cation electropainting Color (black)

Inlet side, Outlet side



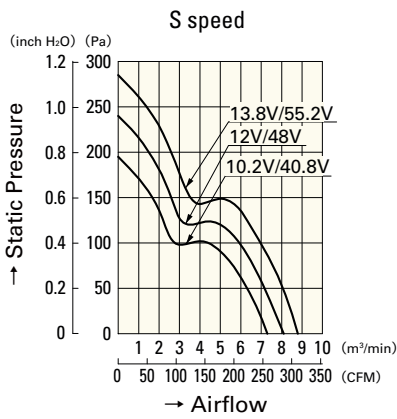
Mass : 51g

Inlet side, Outlet side

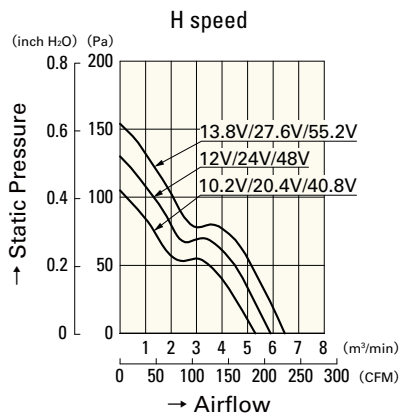


Mass : 51g

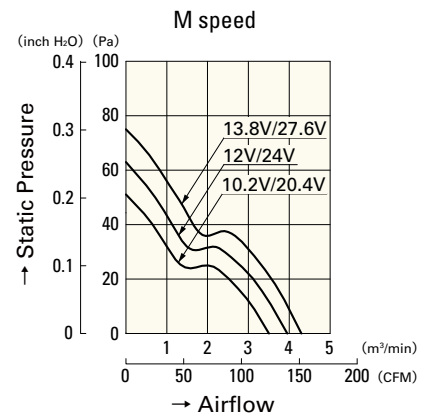
Airflow - Static Pressure Characteristics



9WB1412S501
9WB1448S501



9WB1412H501
9WB1424H501
9WB1448H501



9WB1412M501
9WB1424M501

Splash Proof Fan

φ172_{mm}

San Ace 172W



General Specifications

- Material Frame: Aluminum,
Impeller: Plastics (Flammability: UL94V-1)
- Expected Life Refer to specifications (Indoor, L10: Survival rate: 90% at 60°C,
rated voltage, and continuously run in a free air state)
- Lead Wire ⊕red ⊖black (Sensor) yellow (Control) brown
- Storage Temperature -30°C to +70°C (Non-condensing)

φ172mm × 150mm × 51mm (Mass : 860g) **IP 68** **9WG type** **Sidecut type**

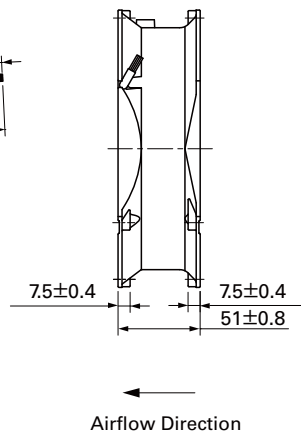
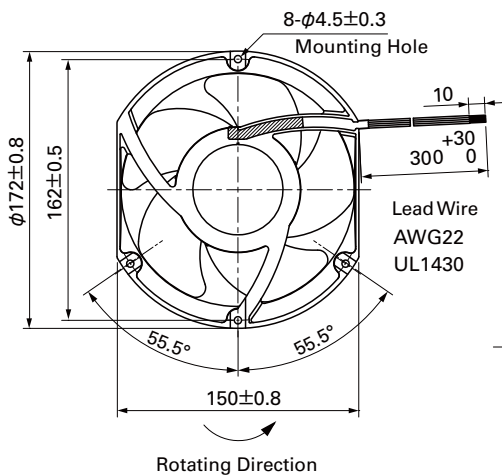
Specifications The following nos. have PWM controls and pulse sensors.

Model No.	Rated Voltage [V]	Operating Voltage Range [V]	PWM duty cycle* [%]	Rated Current [A]	Rated Input [W]	Rated Speed [min ⁻¹]	Max. Airflow [m ³ /min] [CFM]	Max. Static Pressure [Pa] [inchH ₂ O]	SPL [dB(A)]	Operating Temperature [°C]	Expected Life [h]
9WG5748P5G001	48	40.8 to 55.2	100	2.91	140.0	8,600	15.46 546	1,000 4.02	78	-20 to +70	40,000/60°C (70,000/40°C)
			0	0.21	10.1	2,000	3.59 127	75.1 0.30	40		
9WG5748P5H001			100	1.62	78.0	6,500	11.60 410	770 3.09	71		
			0	0.21	10.1	2,000	3.59 127	75.1 0.30	40		

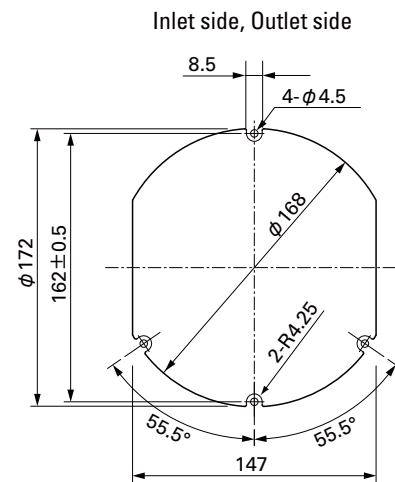
※PWM Frequency : 25kHz

Other sensor specifications are available as options. Please refer to the index (p. 511).

Dimensions (unit: mm)



Reference Dimensions of Mounting Holes and Vent Opening (unit: mm)

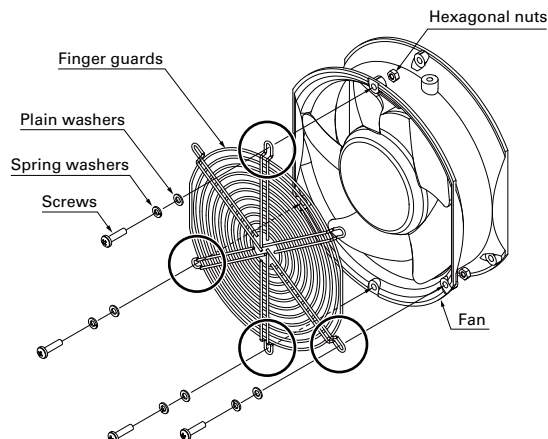
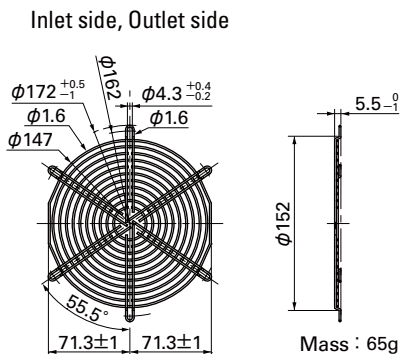


Options (unit: mm)

Finger Guards

Model : 109-319J Color : Nickel-chrome plating (silver)

Finger guard 109-319J should be mounted with four holes as in the drawing.



Options (unit: mm)

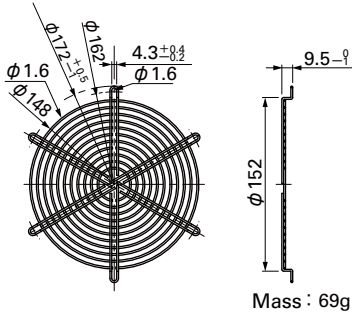
Finger Guards

Model : 109-319E Surface treatment : Nickel-chrome plating (silver) Color : 109-319H : Cation electropainting (black)

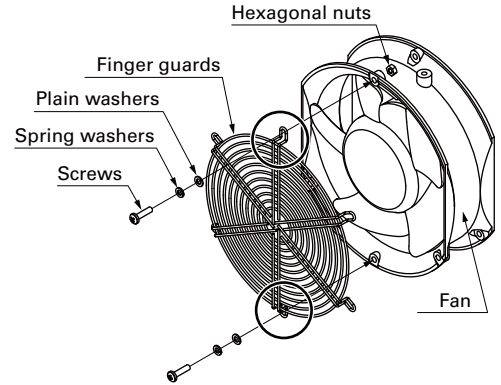
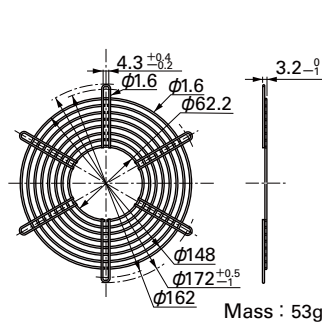
Model : 109-320 Surface treatment : Nickel-chrome plating (silver) Color : (silver)

Finger guards 109-319E, 109-319H, and 109-320 should be mounted with two holes as in the drawing and do not use any other holes.

Inlet side, Outlet side

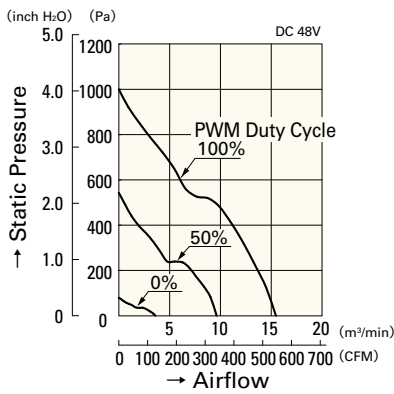


Outlet side

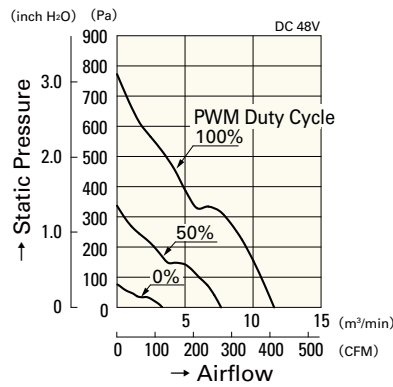


Airflow - Static Pressure Characteristics

PWM Duty Cycle

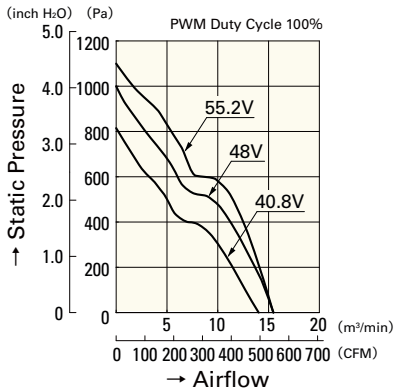


9WG5748P5G001

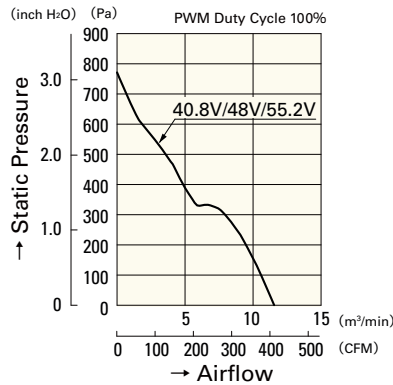


9WG5748P5H001

Operating Voltage Range

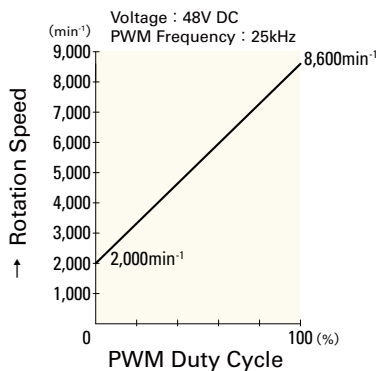


9WG5748P5G001

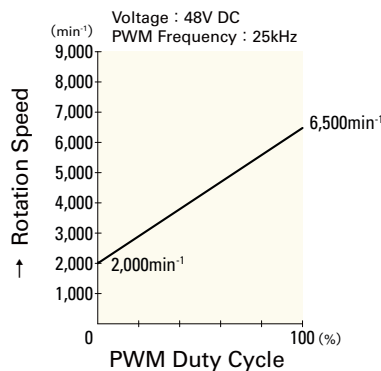


9WG5748P5H001

PWM Duty - Speed Characteristics Example



9WG5748P5G001



9WG5748P5H001

φ 172mm

San Ace 172W



General Specifications

- Material Frame: Aluminum,
Impeller: Plastics (Flammability: UL94V-1)
- Expected Life Refer to specifications (Indoor, L10:Survival rate: 90% at 60°C,
rated voltage, and continuously run in a free air state)
- Lead Wire ⊕red ⊖black or blue (Sensor) yellow
- Storage Temperature -30°C to +70°C (Non-condensing)

φ 172mm × 150mm × 51mm (Mass : 860g) **IP 68** **9WE type** **Sidecut type**

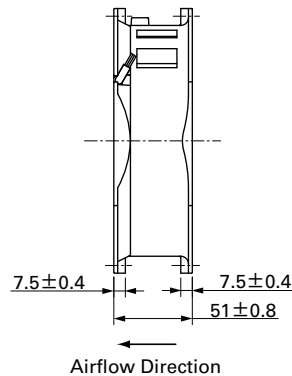
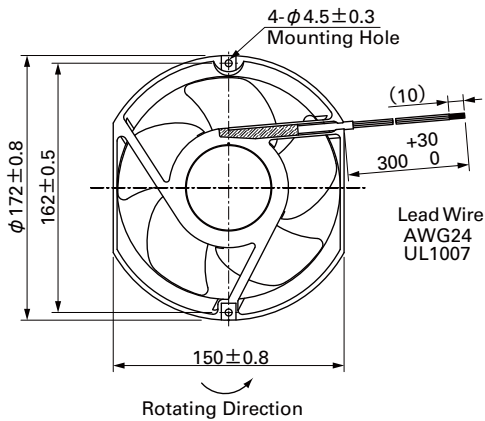
Specifications

The following nos. have pulse sensors.

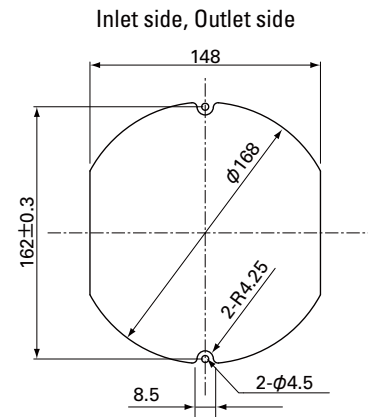
Model No.	Rated Voltage [V]	Operating Voltage Range [V]	Rated Current [A]	Rated Input [W]	Rated Speed [min ⁻¹]	Max. Airflow [m ³ /min] [CFM]	Max. Static Pressure [Pa] [inchH ₂ O]	SPL [dB(A)]	Operating Temperature [°C]	Expected Life [h]
9WE5724K501	24	20.4 to 27.6	1.3	31.2	4,100	8.5 300	243 0.976	60	- 20 to + 60	40,000/60°C
9WE5748K501	48	40.8 to 55.2	0.7	33.6	4,100	8.5 300	243 0.976	60		40,000/60°C

Other sensor specifications are available as options. Please refer to the index (p. 511).

Dimensions (unit: mm)



Reference Dimensions of Mounting Holes and Vent Opening (unit: mm)

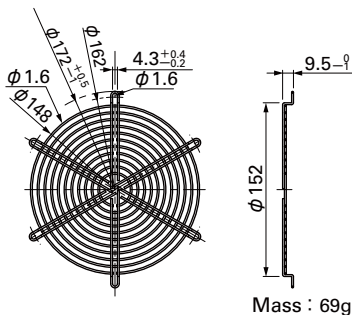


Options (unit: mm)

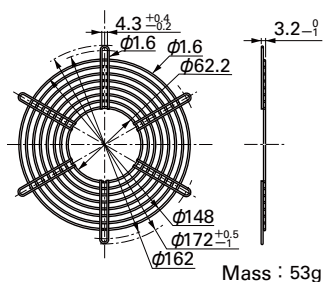
Finger Guards

Model : 109-319E Surface treatment : Nickel-chrome plating (silver) Color : Nickel-chrome plating (silver)
 Model : 109-319H Surface treatment : Cation electropainting (black) Color : Cation electropainting (black)

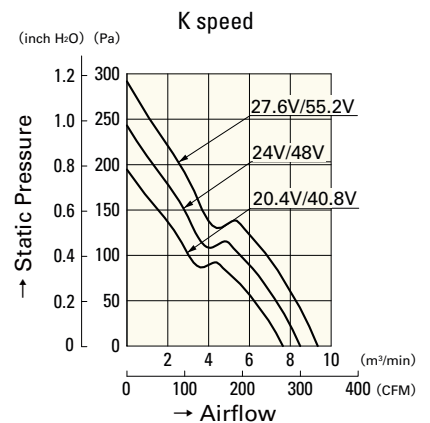
Inlet side, Outlet side



Outlet side



Airflow - Static Pressure Characteristics



9WE5724K501
9WE5748K501

φ172mm

San Ace 172W



DC
Splash Proof Fan 172mm

General Specifications

- Material Frame: Aluminum,
Impeller: Plastics (Flammability: UL94V-1)
- Expected Life Refer to specifications (Indoor, L10:Survival rate: 90% at 60°C,
rated voltage, and continuously run in a free air state)
- Lead Wire ⊕red ⊖black or blue (Sensor) yellow
- Storage Temperature -30°C to +70°C (Non-condensing)

φ172mm×51mm (Mass : 890g) **IP 68** **9WE type** **Round type**

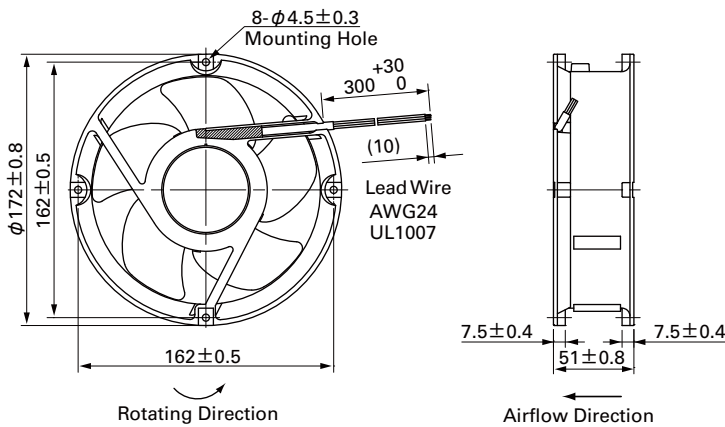
Specifications

The following nos. have pulse sensors.

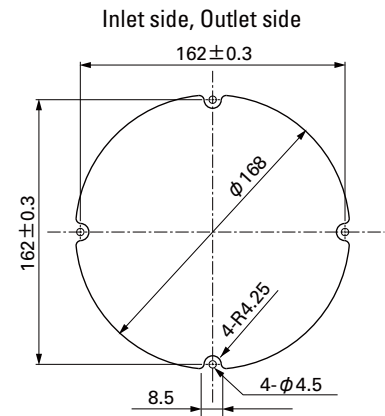
Model No.	Rated Voltage [V]	Operating Voltage Range [V]	Rated Current [A]	Rated Input [W]	Rated Speed [min ⁻¹]	Max. Airflow [m ³ /min] [CFM]	Max. Static Pressure [Pa] [inchH ₂ O]	SPL [dB(A)]	Operating Temperature [°C]	Expected Life [h]
9WE1724K501	24	20.4 to 27.6	1.3	31.2	4,100	8.5 300.1	243 0.97	55	- 20 to + 60	40,000/60°C

Other sensor specifications are available as options. Please refer to the index (p. 511).

Dimensions (unit: mm)



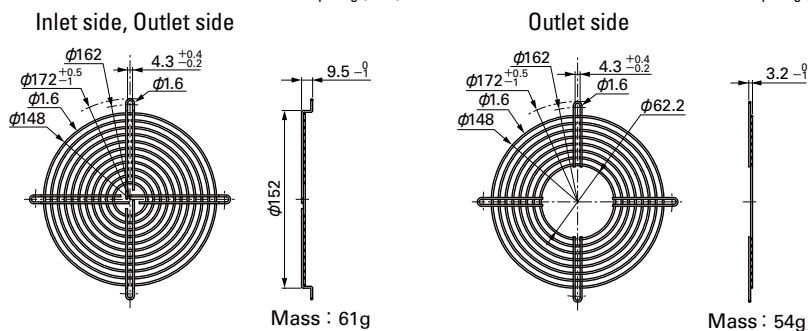
Reference Dimensions of Mounting Holes and Vent Opening (unit: mm)



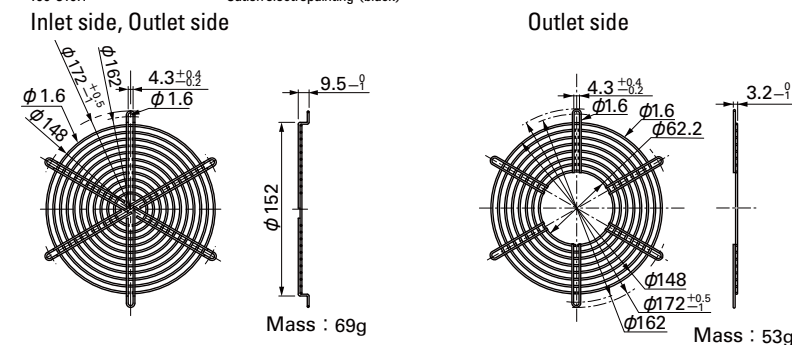
Options (unit: mm)

Finger Guards

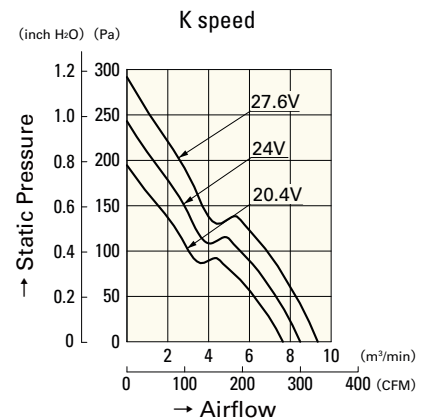
Model : 109-1066 Surface treatment : Nickel-chrome plating (silver) Color (silver) Model : 109-1068 Surface treatment : Nickel-chrome plating (silver) Color (silver)



Model : 109-319E Surface treatment : Nickel-chrome plating (silver) Color (silver) Model : 109-320 Surface treatment : Nickel-chrome plating (silver) Color (silver)
: 109-319H : Cation electropainting (black)



Airflow - Static Pressure Characteristics



9WE1724K501

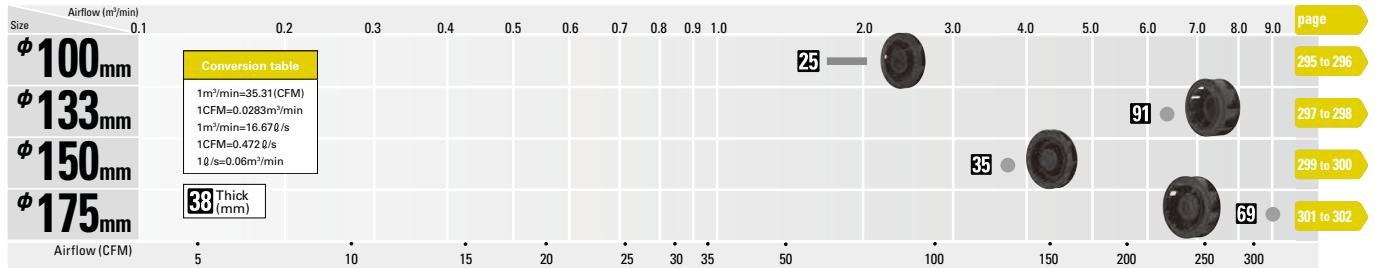
Splash Proof Centrifugal Fan

Centrifugal fans of IP54 waterproof capability.

Related product

Splash Proof Fan ⇒ p. 245 Centrifugal Fan ⇒ p. 371
Oil Proof Fan ⇒ p. 303

Domain Diagram



Model Numbering System

Not every combination of the following codes or characters is available. Contact us for an available combination.

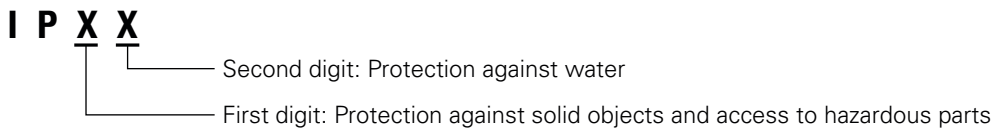
9W1T	M	48	P	4	H	01
Type name 9W1T: Splash Proof Centrifugal Fan	Impeller size M : φ100mm J : φ133mm N : φ150mm G : φ175mm	Voltage 24 : 24V 48 : 48V	PWM control function P	Frame thickness 0 : 69mm thick MIN 1 : 35mm thick 4 : 25mm thick	Speed code H,G etc	Individual customer's spec 2 or 3 digits

Ingress protection ratings (IP code)

IP Codes used by SANYO DENKI express the level of protection that internal electrical components (for fans: electrical components and motor coils) have against solid objects, water, and access to hazardous parts. San Ace Splash Proof Centrifugal fans feature high protection levels.

Definition of Ingress Protection (IP Code)

Ingress Protection (IP Code) is defined in IEC (International Electrotechnical Commission) 60529* DEGREES OF PROTECTION PROVIDED BY ENCLOSURES (IP Code). *IEC 60529:2001



First digit	Definition
0	No protection
1	Protection against solid objects > 50 mm
2	Protection against solid objects > 12.5 mm
3	Protection against solid objects > 2.5 mm
4	Protection against solid objects > 1 mm
5	Protection against a level of dust that could hinder operation or impair safety
6	Complete protection against dust

Second digit	Definition
0	No protection
1	Protection against dripping water
2	Protection against water spray up to 15°
3	Protection against spraying water
4	Protection against splashing water
5	Protection against low pressure water jets
6	Protection against high pressure water jets
7	Protection against temporary immersion in water
8	Protection against submersion in water

How to Read Specifications

DC Fan											DC	
Model No.	① Rated Voltage [V]	② Operating Voltage Range [V]	③ Rated Current [A]	④ Rated Input [W]	⑤ Rated Speed [min ⁻¹]	⑥ Max. Airflow [m ³ /min] [CFM]		⑦ Max. Static Pressure [Pa] [inchH ₂ O]		⑧ SPL [dB(A)]	⑨ Operating Temperature [°C]	⑩ Expected Life [h]
9GA0412G7001	12	7 to 13.8	0.17	2.04	13,100	0.36	12.7	192	0.77	42	-20 to +70	40,000/60°C (70,000/40°C)

- ① Rated Voltage This is the necessary voltage to drive the fan. 12VDC, 24VDC and 48VDC are available.
- ② Operating Voltage Range... The voltage range over which fan operation is guaranteed
- ③ Rated Current The current value during the fan's rated operation without load
- ④ Rated Input The input value during the fan's rated operation without load
- ⑤ Rated Speed The rotating speed during the fan's rated operation without load
- ⑥ Max. Airflow The maximum air volume that the fan can output during rated operation (according to the company's dual-chamber device).
The volume of air generated by the fan in a given time period
- ⑦ Max. Static Pressure The maximum static pressure value that the fan can output during rated operation (according to the company's dual-chamber device). The static pressure is the fan's force to propel air by overcoming the resistance of the device that uses the fan when it propels air.
- ⑧ SPL..... "SPL" is Sound Pressure Level. The noise level during the fan's rated operation.
Please refer to the technical material section for the method used to measure the noise level.
- ⑨ Operating Temperature The temperature range over which fan operation is guaranteed (Non- condensing)
- ⑩ Expected Life The fan's expected operating life when the fan operates continuously at the rated voltage at a temperature of 60°C and at relative humidity of 90%. Expected life at 40°C ambient is just reference value.
Please refer to the technical material section for the expected operating life.

DC Fan Common Specifications

Material Frame,Impeller:Plastics / Frame:Aluminum,Impeller:Plastics

* For details, refer to the appropriate page.

Expected LifeVaries for each model (L10:Survival rate:90% at 60°C ,rated voltage, and continuously run in a free air state)

* Splash proof fan: Varies for each model (Indoor, L10:Survival rate:90% at 60°C ,rated voltage, and continuously run in a free air state)

Motor Protection Burnout protection at locked rotor condition and Reverse polarity protection

Dielectric StrengthAC50/60Hz 500VAC 1minute(between lead conductor and frame)

Insulation Resistance10M Ω or more at 500VDC megger (between lead conductor and frame)

Sound Pressure Level(SPL) ..Expressed as the value at 1m from air inlet side

Lead WireFor details, refer to the appropriate page.

Overheating protection function

Protection Functions:

If the fan blades are restricted, an overcurrent occurs and leads to a rise in the fan coil temperature. This can result in reduced performance, damage, or a fire. To prevent this from occurring, SANYO DENKI's fans incorporate an overheating protection function. Refer to the catalog for the types of protection functions.

Burnout protection function at locked rotor condition

- Current cutoff system

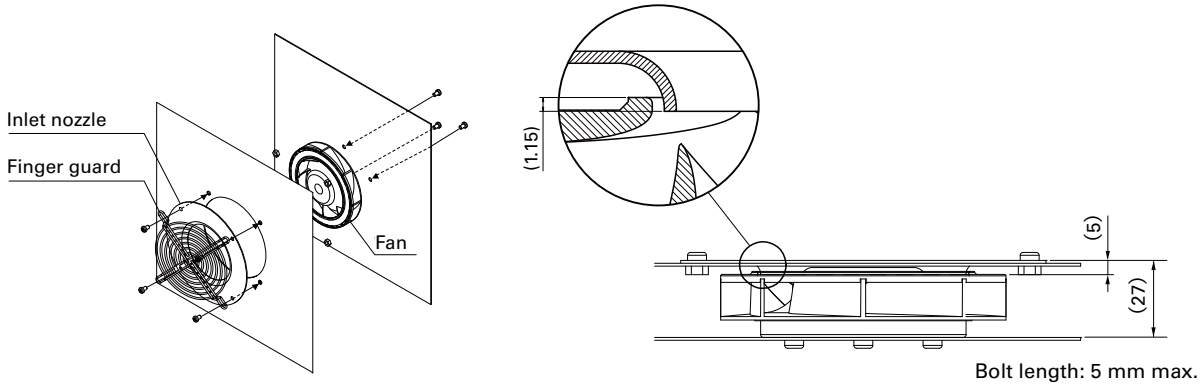
If the fan blades are restricted, the coil current is cut off at regular cycles to prevent overheating of the coil. When the hindrance is removed, the fan restarts automatically.

Reverse polarity protection function

No problem about fan even if positive & negative lead are connected in reverse.

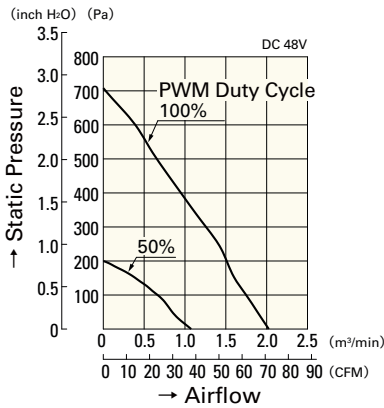
However, when wiring fans with sensors or PWM speed control function, connecting positive and negative leads in reverse may damage the fans.

Reference Diagram for Mounting

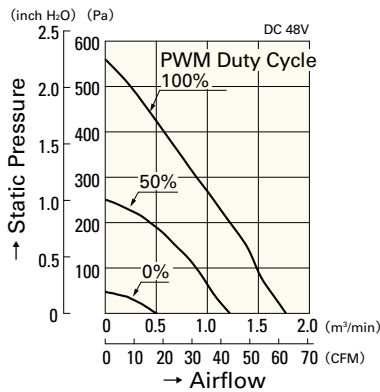


Airflow - Static Pressure Characteristics

PWM Duty Cycle

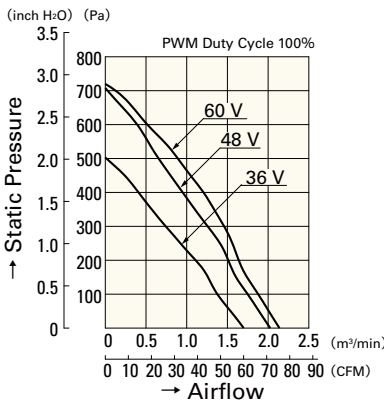


9W1TM48P4G01

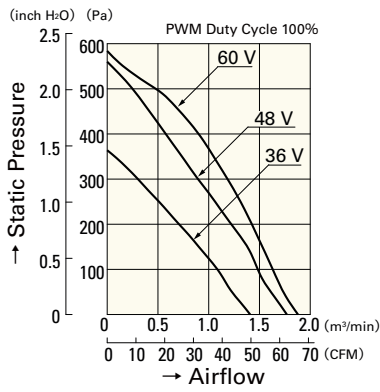


9W1TM48P4H01

Operating Voltage Range

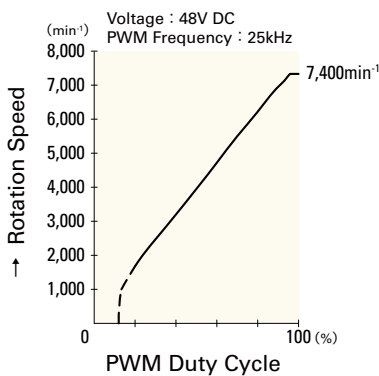


9W1TM48P4G01

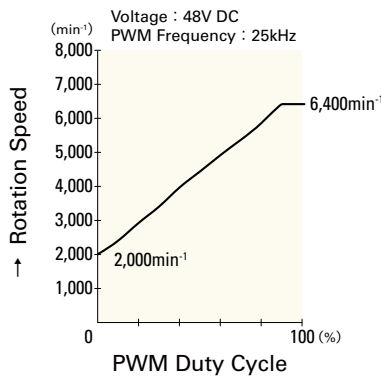


9W1TM48P4H01

PWM Duty - Speed Characteristics Example



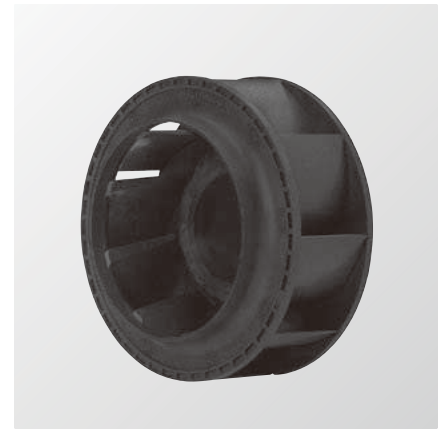
9W1TM48P4G01



9W1TM48P4H01

φ133mm

San Ace 133W



General Specifications

- Material..... Motor case: Aluminum (Black coating),
Impeller: Plastics (Flammability: UL94V-0)
- Expected Life Refer to specifications (Indoor, L10:Survival rate: 90% at 60°C ,
rated voltage, and continuously run in a free air state)
- Lead Wire ⊕red ⊖black (Sensor) yellow (Control) brown
- Storage Temperature ... -30°C to +70°C (Non-condensing)

φ133mm×91mm (Mass : 720g) **IP 54 9W1T type**

Specifications

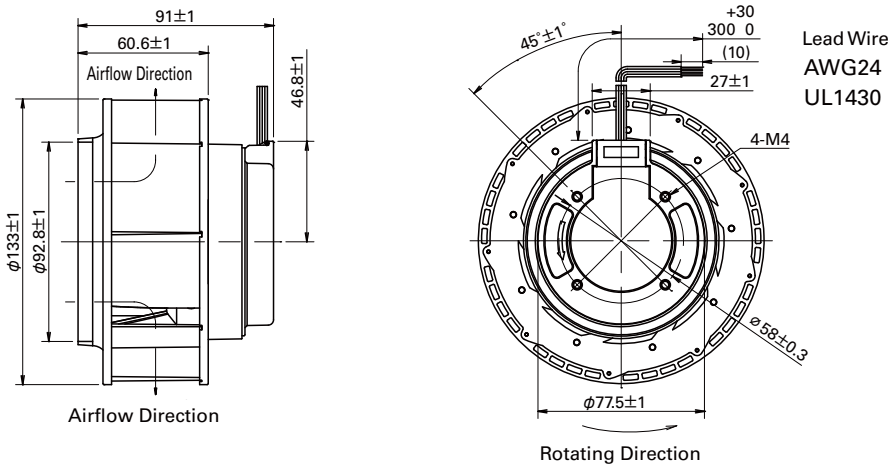
When our inletnozzle [Option (Model : 109-1069)] is mounted. The following nos. **have PWM controls and pulse sensors.**

Model No.	Rated Voltage [V]	Operating Voltage Range [V]	PWM duty cycle ^{Note①} [%]	Rated Current [A]	Rated Input [W]	Rated Speed [min ⁻¹]	Max. Airflow [m ³ /min] [CFM]	Max. Static Pressure [Pa] [inchH ₂ O]	SPL [dB(A)]	Operating Temperature [°C]	Expected Life [h]
9W1TJ24P0H61	24	20.4 to 27.6	100	1.2	28.8	4,150	6.39 225	395 1.59	61	-20 to +70	40,000/60°C (70,000/40°C)
9W1TJ48P0H61	48	36 to 60	100	0.55	26.4	4,150	6.39 225	395 1.59	61		

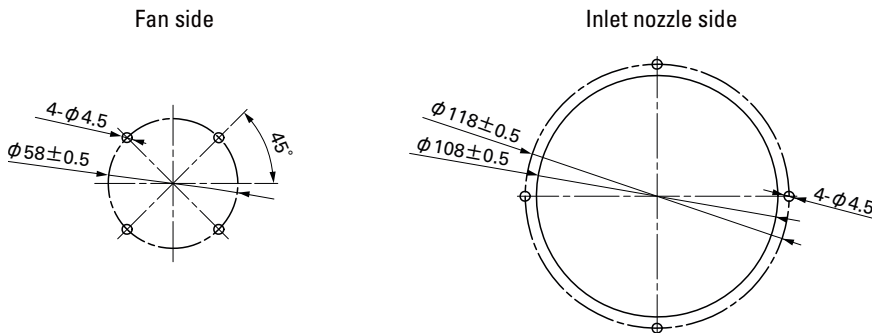
Note: Fan does not rotate when PWM duty cycle is 0%.
Max input is 45W at rated voltage.

※PWM Frequency : 25kHz

Dimensions (unit: mm)



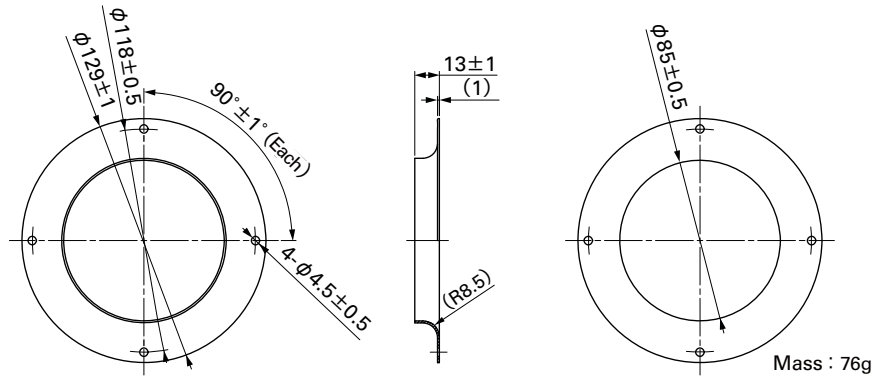
Reference Dimensions of Mounting Holes and Vent Opening (unit: mm)



Options (unit: mm)

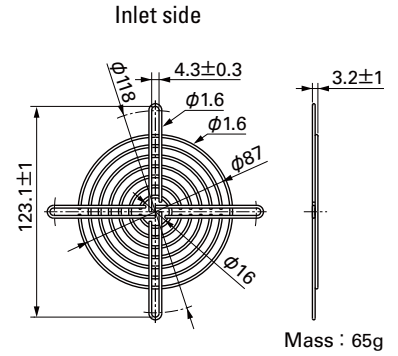
Inlet Nozzle

Model : 109-1069 Material : Steel sheet Surface treatment : Electro nickel plating (silver)
 : 109-1069H : Steel sheet : Cation electropainting (black)



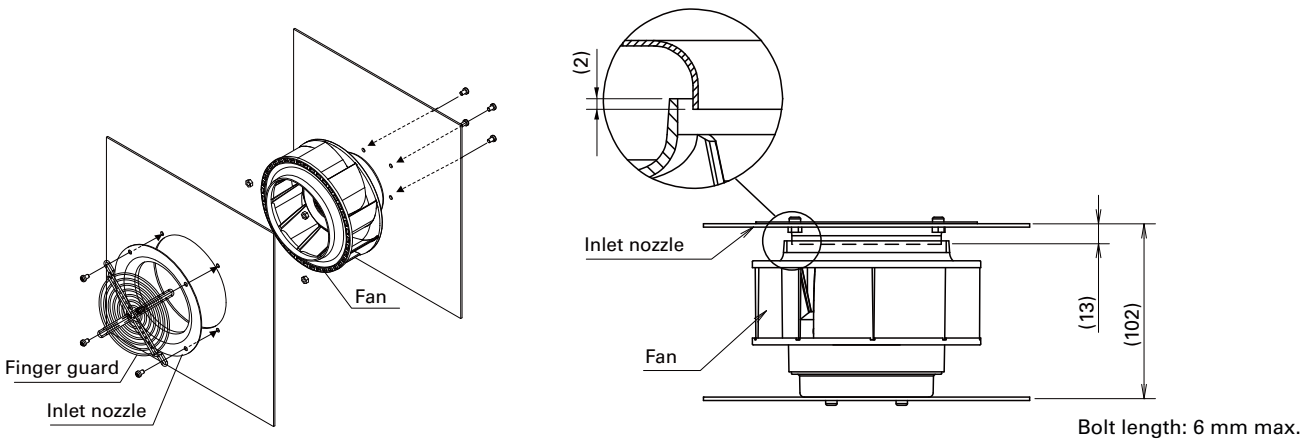
Finger Guards

Color
 Model : 109-1112 Surface treatment : Nickel-chrome plating (silver)



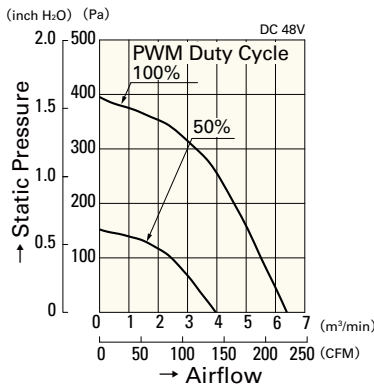
Inlet nozzle: Equipment to be mounted in inlet side for adjusting incoming airflow.

Reference Diagram for Mounting

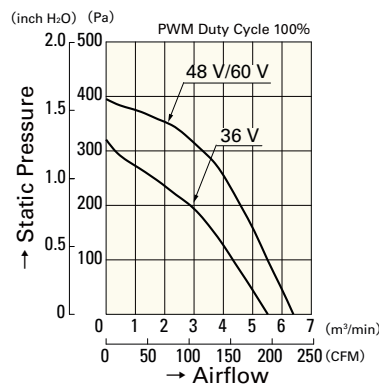


Airflow - Static Pressure Characteristics

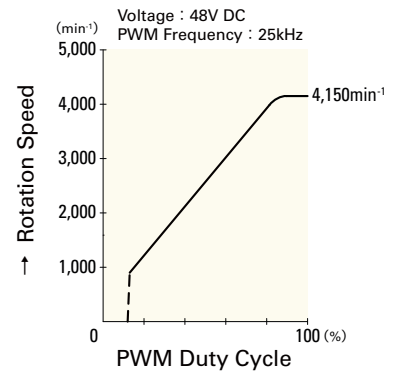
PWM Duty Cycle



Operating Voltage Range



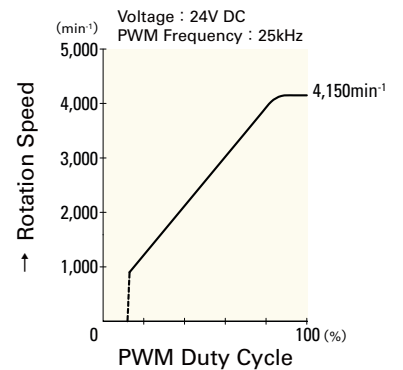
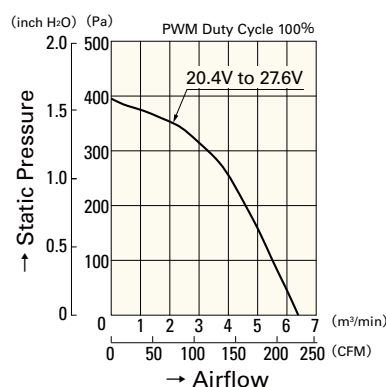
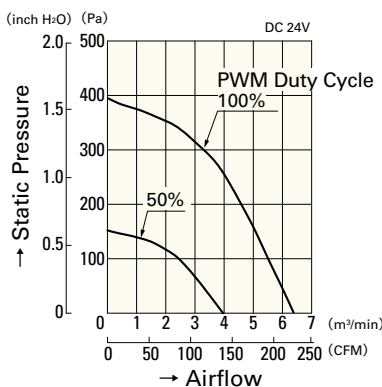
PWM Duty Speed Characteristics Example



9W1TJ48P0H61

9W1TJ48P0H61

9W1TJ48P0H61



9W1TJ24P0H61

9W1TJ24P0H61

9W1TJ24P0H61

φ 150_{mm}

San Ace 150W



General Specifications

- Material Motor case: Aluminum (Black coating),
Impeller: Plastics (Flammability: UL94V-0)
- Expected Life Refer to specifications (Indoor, L10:Survival rate: 90% at 60°C ,
rated voltage, and continuously run in a free air state)
- Lead Wire ⊕red ⊖black (Sensor) yellow (Control) brown
- Storage Temperature -30°C to +70°C (Non-condensing)

φ 150mm × 35mm (Mass : 330g) **IP 54 9W1T type**

Specifications

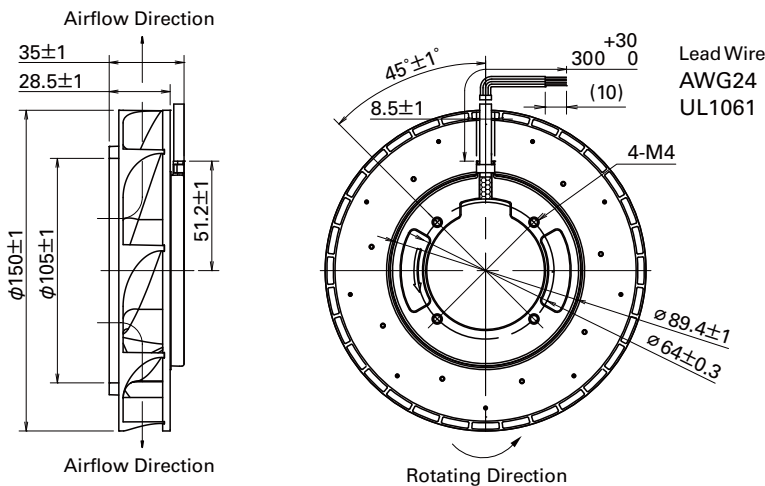
When our inletnozzle (Option (Model : 109-1081)) is mounted. The following nos. **have PWM controls and pulse sensors.**

Model No.	Rated Voltage [V]	Operating Voltage Range [V]	PWM duty cycle [※] [%]	Rated Current [A]	Rated Input [W]	Rated Speed [min ⁻¹]	Max. Airflow [m ³ /min] [CFM]	Max. Static Pressure [Pa] [inchH ₂ O]	SPL [dB(A)]	Operating Temperature [°C]	Expected Life [h]
9W1TN48P1H01	48	36.0 to 55.2	100	0.32	15.4	3,800	3.83 135	390 1.57	59	-20 to +70	40,000/60°C (70,000/40°C)

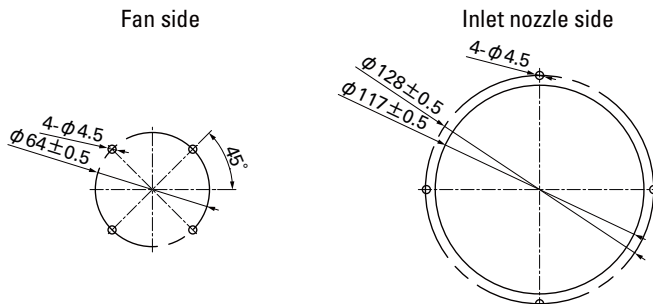
Note: Fan does not rotate when PWM duty cycle is 0%.
Max input is 22W at rated voltage.

※PWM Frequency : 25kHz

Dimensions (unit: mm)



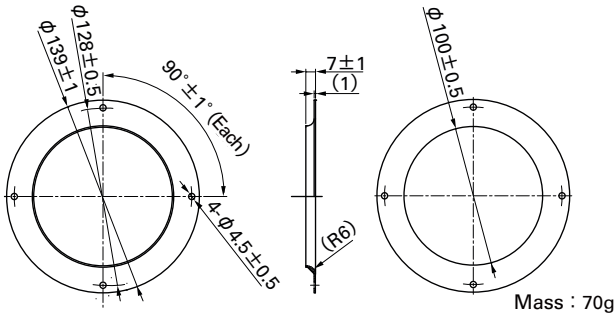
Reference Dimensions of Mounting Holes and Vent Opening (unit: mm)



Options (unit: mm)

Inlet Nozzle

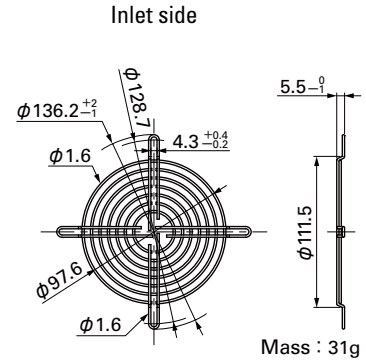
Model : 109-1081 Material : Steel sheet Surface treatment : Electro nickel plating (silver)
 : 109-1081H : Steel sheet : Cation electropainting (black)



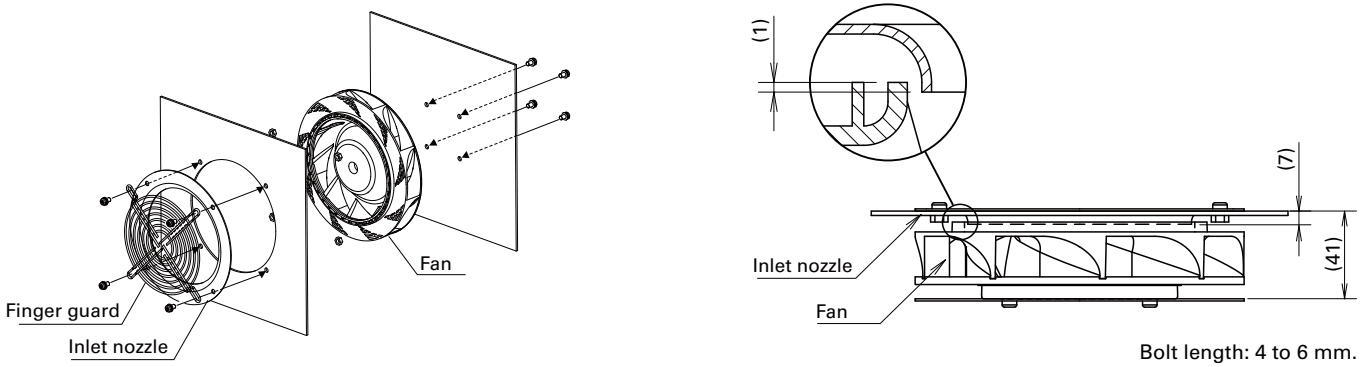
Inlet nozzle: Equipment to be mounted in inlet side for adjusting incoming airflow.

Finger Guards

Model : 109-1104 Surface treatment : Nickel-chrome plating (silver) Color (silver)
 : 109-1104H : Cation electropainting (black)

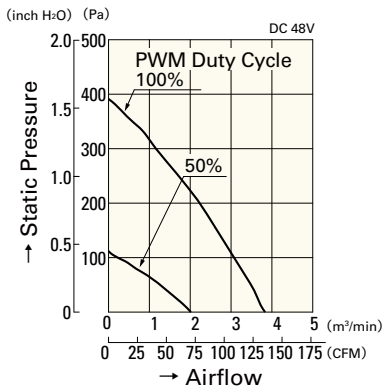


Reference Diagram for Mounting



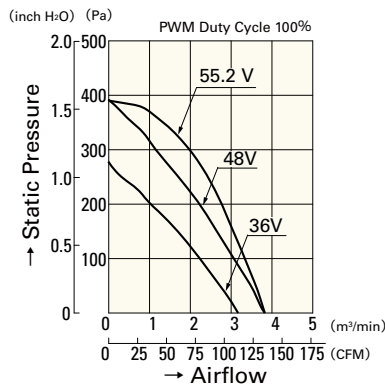
Airflow - Static Pressure Characteristics

PWM Duty Cycle



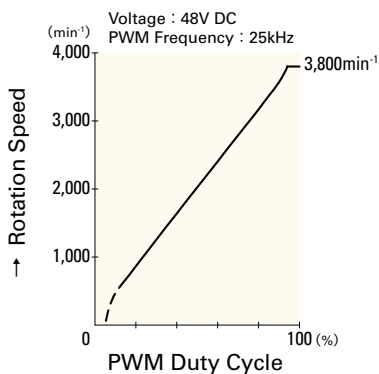
9W1TN48P1H01

Operating Voltage Range



9W1TN48P1H01

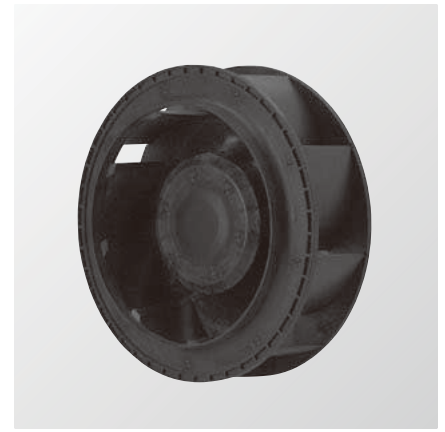
PWM Duty Speed Characteristics Example



9W1TN48P1H01

φ 175 mm

San Ace 175W



General Specifications

- Material Motor case: Aluminum (Black coating),
Impeller: Plastics (Flammability: UL94V-0)
- Expected Life Refer to specifications (Indoor, L10:Survival rate: 90% at 60°C ,
rated voltage, and continuously run in a free air state)
- Lead Wire ⊕red ⊖black (Sensor) yellow (Control) brown
- Storage Temperature -30°C to +70°C (Non-condensing)

φ 175 mm × 69 mm (Mass : 760g) **IP 54 9W1T type**

Specifications

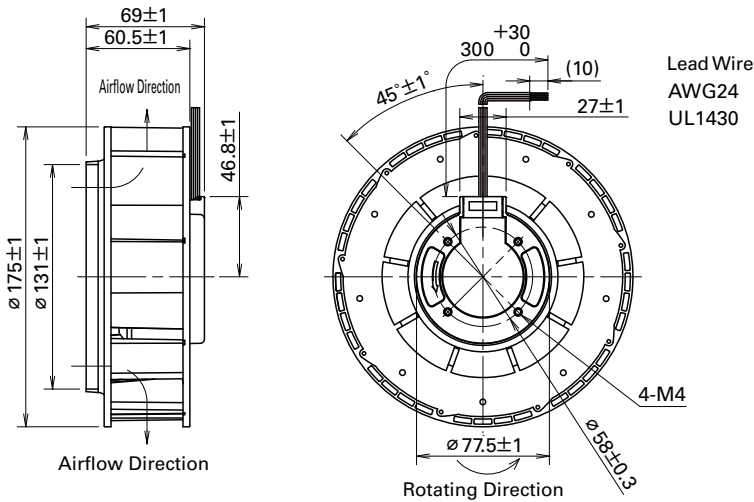
When inlet nozzle [Option (Model : 109-1073)] is mounted. The following nos. **have PWM controls and pulse sensors.**

Model No.	Rated Voltage [V]	Operating Voltage Range [V]	PWM duty cycle ^{*)} [%]	Rated Current [A]	Rated Input [W]	Rated Speed [min ⁻¹]	Max. Airflow [m ³ /min] [CFM]	Max. Static Pressure [Pa] [inchH ₂ O]	SPL [dB(A)]	Operating Temperature [°C]	Expected Life [h]
9W1TG48P0H61	48	36 to 60	100	0.65	31.2	3,100	9.0 318	360 1.44	64	-20 to +70	40,000/60°C (70,000/40°C)

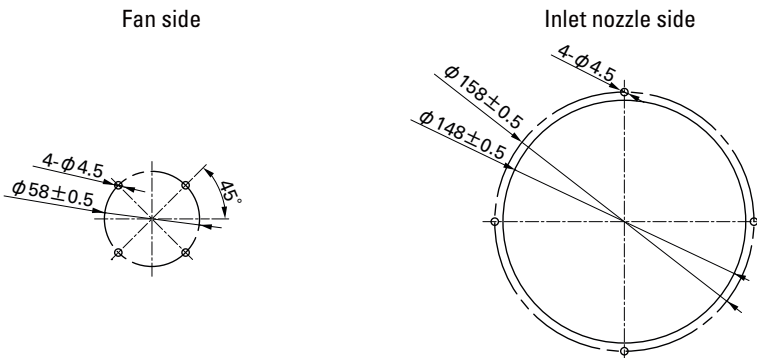
Note: Fan does not rotate when PWM duty cycle is 0%.
Max input is 60W at rated voltage.

*)PWM Frequency : 25kHz

Dimensions (unit: mm)



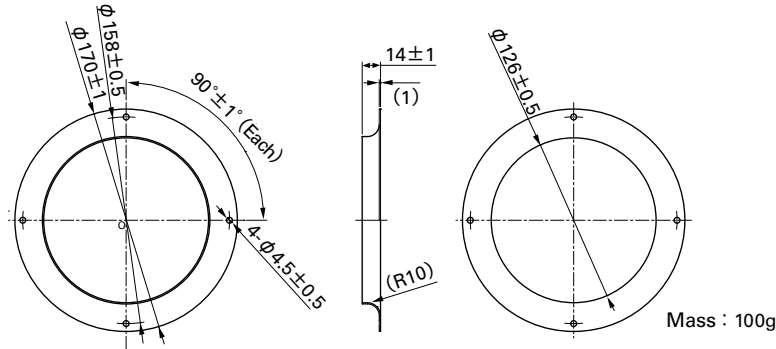
Reference Dimensions of Mounting Holes and Vent Opening (unit: mm)



Options (unit: mm)

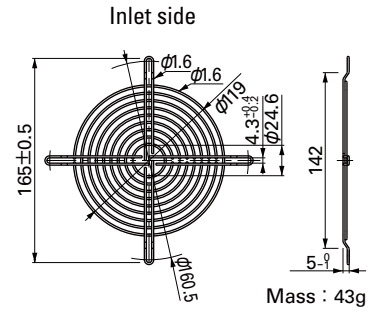
Inlet Nozzle

Model : 109-1073 Material : Steel sheet Surface treatment : Electro nickel plating (silver)
 : 109-1073H : Steel sheet : Cation electropainting (black)



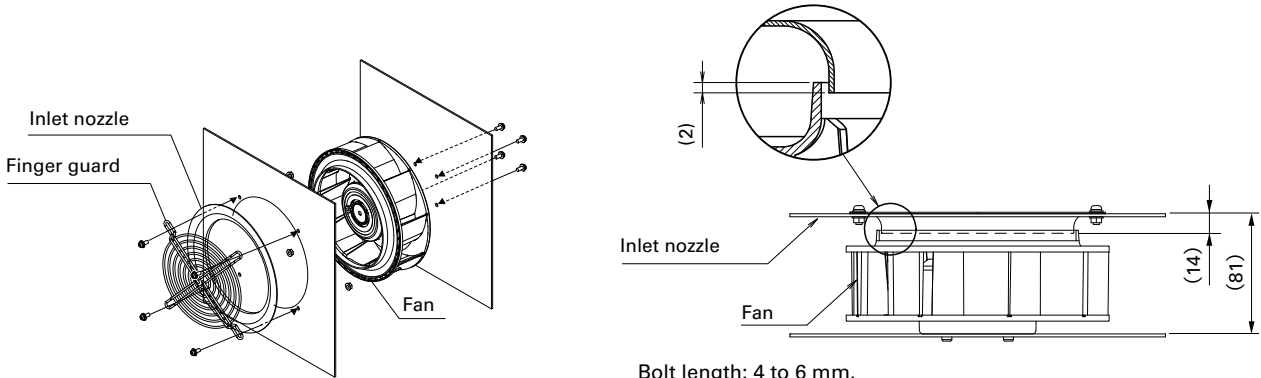
Finger Guards

Model : 109-722 Surface treatment : Nickel-chrome plating (silver) Color (silver)



Inlet nozzle: Equipment to be mounted in inlet side for adjusting incoming airflow.

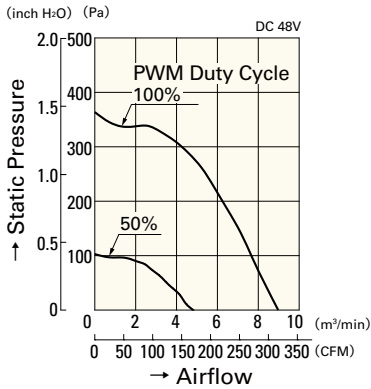
Reference Diagram for Mounting



Bolt length: 4 to 6 mm.
 To prevent bolts from loosening, use plain washers and spring washers.

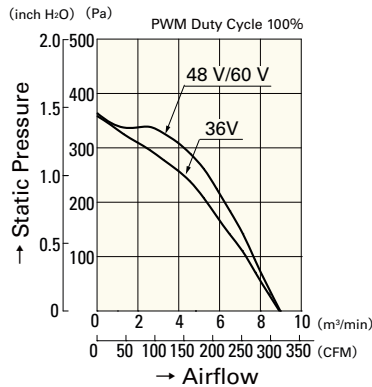
Airflow - Static Pressure Characteristics

PWM Duty Cycle



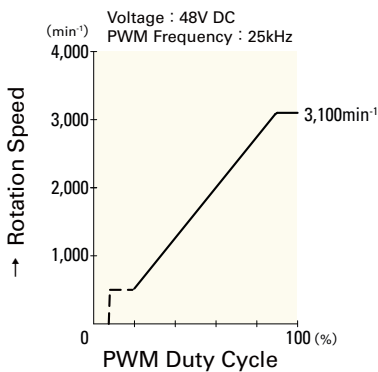
9W1TG48P0H61

Operating Voltage Range



9W1TG48P0H61

PWM Duty Speed Characteristics Example



9W1TG48P0H61

Oil Proof Fan

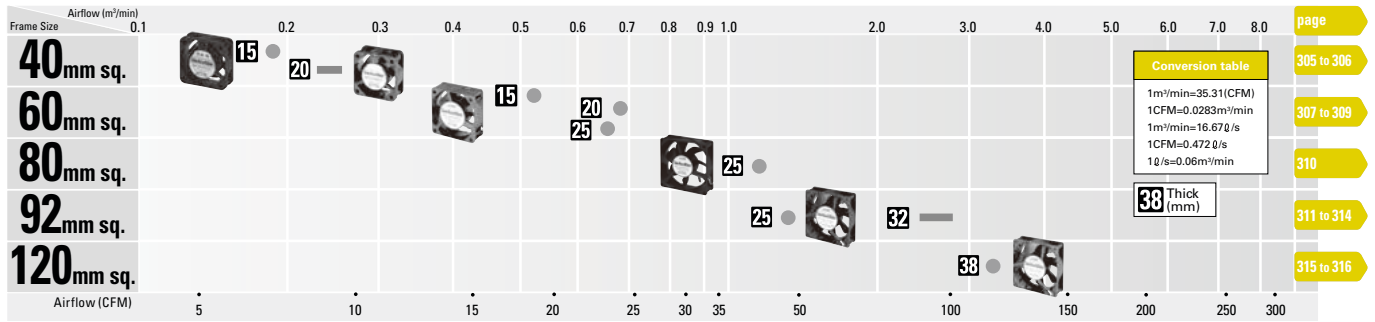
Cooling fan capable of operating in an oil-mist environment.

Related product

Splash Proof Fan ⇒ p. 245

Splash Proof Centrifugal Fan ⇒ p. 293

Domain Diagram



Model Numbering System

Not every combination of the following codes or characters is available. Contact us for an available combination.

9WF	12	24	H	1	01	
Type name / frame material 9WF / Plastics	Frame size 04 : 40×40mm 06 : 60×60mm 08 : 80×80mm 09 : 92×92mm 12 : 120×120mm	Voltage 24 : 24V	Speed code H	Frame thickness 1 : 38mm thick 2 : 32mm thick 4 : 25mm thick 6 : 20mm thick 7 : 15mm thick	Sensor specifications 01 : With a pulse sensor 02 : Without a sensor D01 : With a lock sensor	Frame form Nil : Ribbed frame

How to Read Specifications

DC Fan											DC	
Model No.	① Rated Voltage [V]	② Operating Voltage Range [V]	③ Rated Current [A]	④ Rated Input [W]	⑤ Rated Speed [min ⁻¹]	⑥ Max. Airflow [m ³ /min] [CFM]		⑦ Max. Static Pressure [Pa] [inchH ₂ O]		⑧ SPL [dB(A)]	⑨ Operating Temperature [°C]	⑩ Expected Life [h]
9GA0412G7001	12	7 to 13.8	0.17	2.04	13,100	0.36	12.7	192	0.77	42	-20 to +70	40,000/60°C (70,000/40°C)

- ① Rated Voltage This is the necessary voltage to drive the fan. 12VDC, 24VDC and 48VDC are available.
- ② Operating Voltage Range... The voltage range over which fan operation is guaranteed
- ③ Rated Current The current value during the fan's rated operation without load
- ④ Rated Input The input value during the fan's rated operation without load
- ⑤ Rated Speed The rotating speed during the fan's rated operation without load
- ⑥ Max. Airflow The maximum air volume that the fan can output during rated operation (according to the company's dual-chamber device).
The volume of air generated by the fan in a given time period
- ⑦ Max. Static Pressure The maximum static pressure value that the fan can output during rated operation (according to the company's dual-chamber device). The static pressure is the fan's force to propel air by overcoming the resistance of the device that uses the fan when it propels air.
- ⑧ SPL..... "SPL" is Sound Pressure Level. The noise level during the fan's rated operation.
Please refer to the technical material section for the method used to measure the noise level.
- ⑨ Operating Temperature The temperature range over which fan operation is guaranteed (Non- condensing)
- ⑩ Expected Life The fan's expected operating life when the fan operates continuously at the rated voltage at a temperature of 60°C and at relative humidity of 90%. Expected life at 40°C ambient is just reference value.
Please refer to the technical material section for the expected operating life.

DC Fan Common Specifications

Material Frame,Impeller:Plastics / Frame:Aluminum,Impeller:Plastics

* For details, refer to the appropriate page.

Expected LifeVaries for each model (L10:Survival rate:90% at 60°C ,rated voltage, and continuously run in a free air state)

* Splash proof fan: Varies for each model (Indoor, L10:Survival rate:90% at 60°C ,rated voltage, and continuously run in a free air state)

Motor Protection Burnout protection at locked rotor condition and Reverse polarity protection

Dielectric StrengthAC50/60Hz 500VAC 1minute(between lead conductor and frame)

Insulation Resistance10M Ω or more at 500VDC megger (between lead conductor and frame)

Sound Pressure Level(SPL) ..Expressed as the value at 1m from air inlet side

Lead WireFor details, refer to the appropriate page.

Overheating protection function

Protection Functions:

If the fan blades are restricted, an overcurrent occurs and leads to a rise in the fan coil temperature. This can result in reduced performance, damage, or a fire. To prevent this from occurring, SANYO DENKI's fans incorporate an overheating protection function. Refer to the catalog for the types of protection functions.

Burnout protection function at locked rotor condition

- Current cutoff system

If the fan blades are restricted, the coil current is cut off at regular cycles to prevent overheating of the coil. When the hindrance is removed, the fan restarts automatically.

Reverse polarity protection function

No problem about fan even if positive & negative lead are connected in reverse.

However, when wiring fans with sensors or PWM speed control function, connecting positive and negative leads in reverse may damage the fans.

40mm sq.

San Ace 40WF



General Specifications

- Material Frame: Plastics (Flammability: UL94V-0)
Impeller: Plastics (Flammability: UL94V-0)
- Expected Life Refer to specifications (L10:Survival rate: 90% at 60°C ,
rated voltage, and continuously run in a free air state)
- Lead Wire ⊕red ⊖black (Sensor) yellow
- Storage Temperature -30°C to +70°C (Non-condensing)

The product can be used in an oil mist environment*

*Environment where machining oil mist is scattered.
Usage of this product requires an evaluation with the oil that will be used.

40×40×15mm (Mass : 35g) **9WF**type

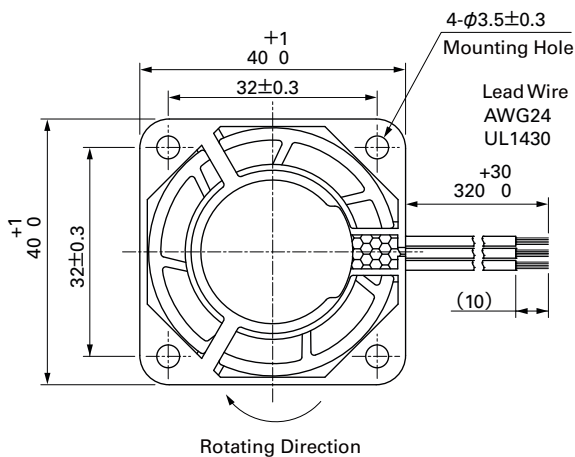
Specifications

The following nos. have pulse sensors and ribs.

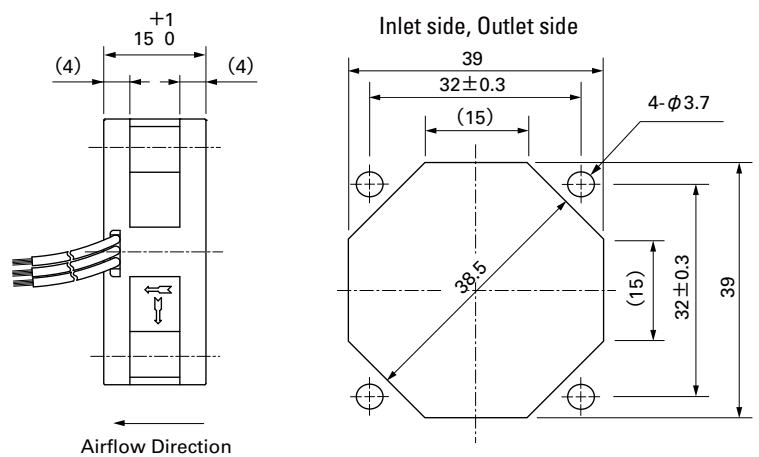
Model No.	Rated Voltage [V]	Operating Voltage Range [V]	Rated Current [A]	Rated Input [W]	Rated Speed [min ⁻¹]	Max. Airflow [m ³ /min] [CFM]	Max. Static Pressure [Pa] [inchH ₂ O]	SPL [dB(A)]	Operating Temperature [°C]	Expected Life [h]
9WF0424H701	24	20.4 to 27.6	0.085	2.04	11,300	0.195 6.9	80 0.32	38	-20 to +70	40,000/60°C

Other sensor specifications are available as options. Please refer to the index (p. 511).

Dimensions (unit: mm)



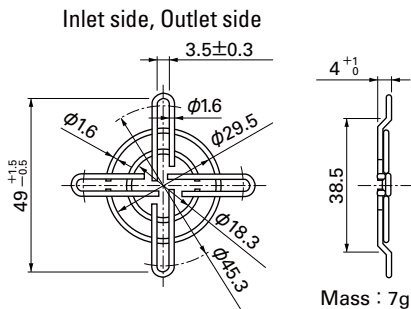
Reference Dimensions of Mounting Holes and Vent Opening (unit: mm)



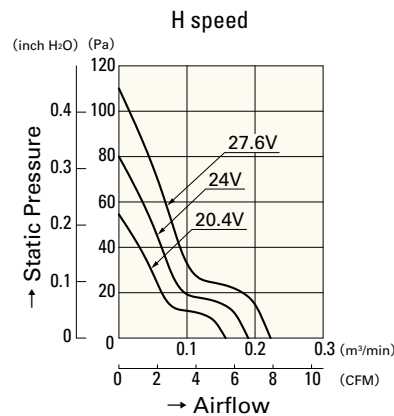
Options (unit: mm)

Finger Guards

Model : 109-059 Surface treatment : Nickel-chrome plating (silver)
: 109-059H Color : Cation electropainting (black)



Airflow - Static Pressure Characteristics



9WF0424H701

40mm sq.

San Ace 40WF



General Specifications

- Material Frame: Plastics (Flammability: UL94V-0), Impeller: Plastics (Flammability: UL94V-0)
- Expected Life Refer to specifications (L10:Survival rate: 90% at 60°C, rated voltage, and continuously run in a free air state)
- Lead Wire ⊕red ⊖black or blue (Sensor) yellow
- Storage Temperature -30°C to +70°C (Non-condensing)

The product can be used in an oil mist environment*

*Environment where machining oil mist is scattered.
Usage of this product requires an evaluation with the oil that will be used.

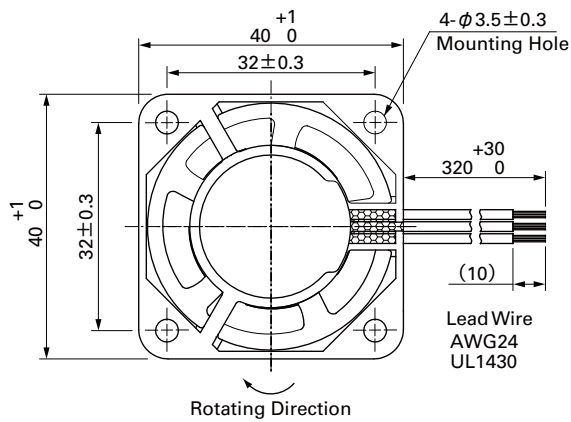
40×40×20mm (Mass : 50g) 9WF type

Specifications The following nos. have pulse sensors and ribs.

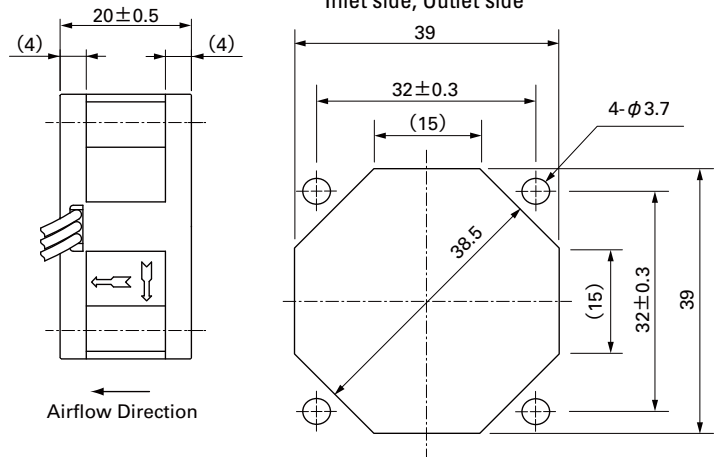
Model No.	Rated Voltage [V]	Operating Voltage Range [V]	Rated Current [A]	Rated Input [W]	Rated Speed [min ⁻¹]	Max. Airflow [m ³ /min] [CFM]	Max. Static Pressure [Pa] [inchH ₂ O]	SPL [dB(A)]	Operating Temperature [°C]	Expected Life [h]
9WF0424H601	24	20.4 to 27.6	0.11	2.64	13,100	0.26 9.2	90 0.361	42	-20 to +70	40,000/60°C
9WF0424F601			0.076	1.82	11,000	0.22 7.77	62.8 0.252	37		

Other sensor specifications are available as options. Please refer to the index (p. 511).

Dimensions (unit: mm)



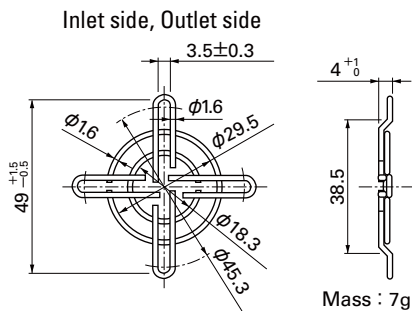
Reference Dimensions of Mounting Holes and Vent Opening (unit: mm)



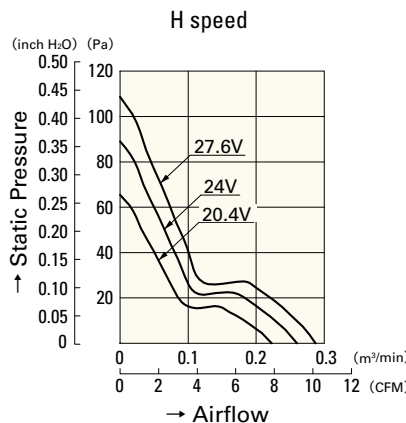
Options (unit: mm)

Finger Guards

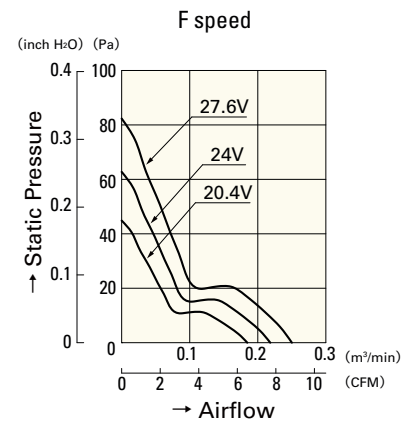
Model : 109-059 Surface treatment : Nickel-chrome plating (silver)
: 109-059H : Cation electroplating (black)



Airflow - Static Pressure Characteristics



9WF0424H601



9WF0424F601

60mm sq.

San Ace 60WF



General Specifications

- Material Frame: Plastics (Flammability: UL94V-0), Impeller: Plastics (Flammability: UL94V-0)
- Expected Life Refer to specifications (L10:Survival rate: 90% at 60°C , rated voltage, and continuously run in a free air state)
- Lead Wire ⊕red ⊖black (Sensor) yellow
- Storage Temperature -30°C to +70°C (Non-condensing)

The product can be used in an oil mist environment*

*Environment where machining oil mist is scattered.
Usage of this product requires an evaluation with the oil that will be used.

60×60×15mm (Mass : 62g) **9WF**type

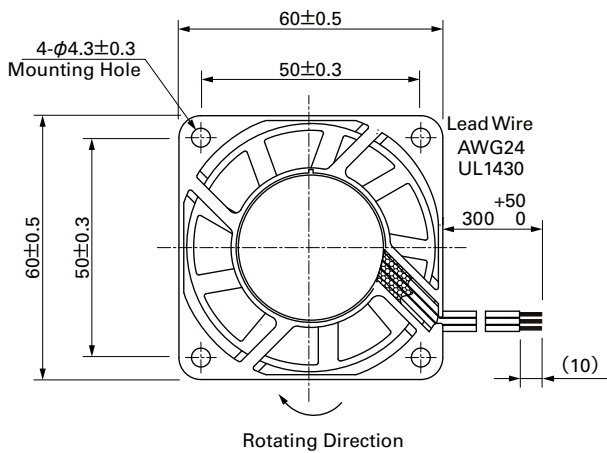
Specifications

The following nos. **have pulse sensors and ribs.**

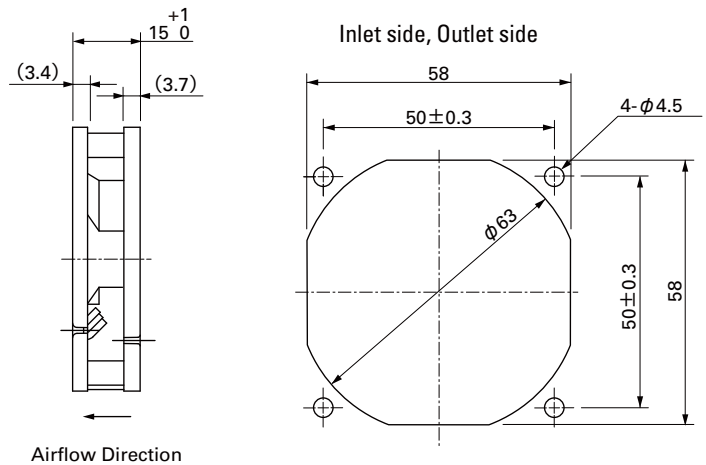
Model No.	Rated Voltage [V]	Operating Voltage Range [V]	Rated Current [A]	Rated Input [W]	Rated Speed [min ⁻¹]	Max. Airflow [m ³ /min] [CFM]	Max. Static Pressure [Pa] [inchH ₂ O]	SPL [dB(A)]	Operating Temperature [°C]	Expected Life [h]
9WF0624H701	24	20.4 to 27.6	0.12	2.88	6,800	0.52 18.3	95 0.38	44	- 20 to + 70	40,000/60°C

Other sensor specifications are available as options. Please refer to the index (p. 511).

Dimensions (unit: mm)



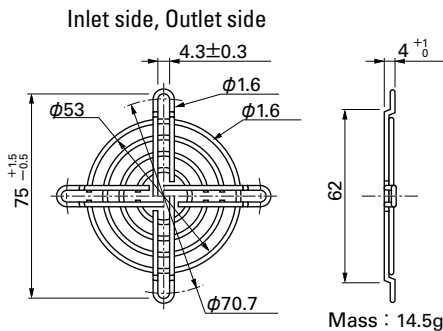
Reference Dimensions of Mounting Holes and Vent Opening (unit: mm)



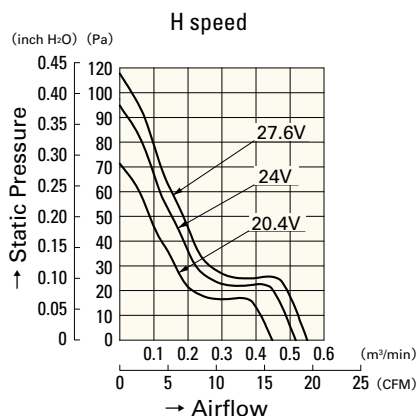
Options (unit: mm)

Finger Guards

Model : 109-139E Surface treatment : Nickel-chrome plating (silver) Color : 109-139H : Cation electropainting (black)



Airflow - Static Pressure Characteristics



9WF0624H701

60mm sq.

San Ace 60WF



General Specifications

- Material Frame: Plastics (Flammability: UL94V-0), Impeller: Plastics (Flammability: UL94V-0)
- Expected Life Refer to specifications (L10:Survival rate: 90% at 60°C, rated voltage, and continuously run in a free air state)
- Lead Wire ⊕red ⊖black (Sensor) yellow
- Storage Temperature -30°C to +70°C (Non-condensing)

The product can be used in an oil mist environment*

*Environment where machining oil mist is scattered.
Usage of this product requires an evaluation with the oil that will be used.

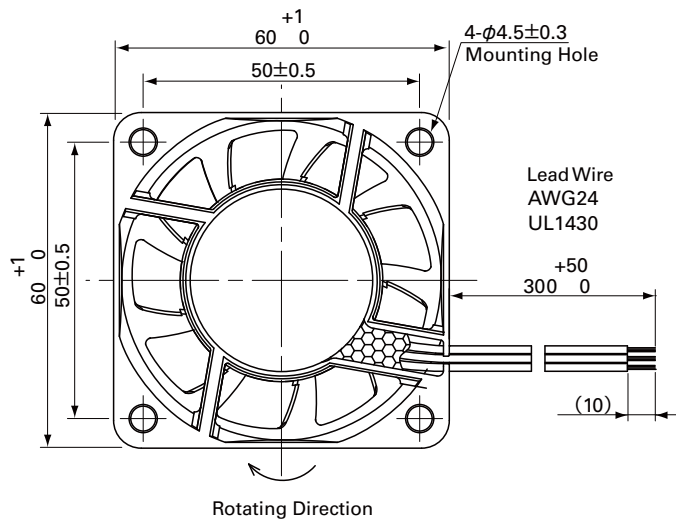
60×60×20mm (Mass : 80g) 9WF type

Specifications The following nos. have pulse sensors and ribs.

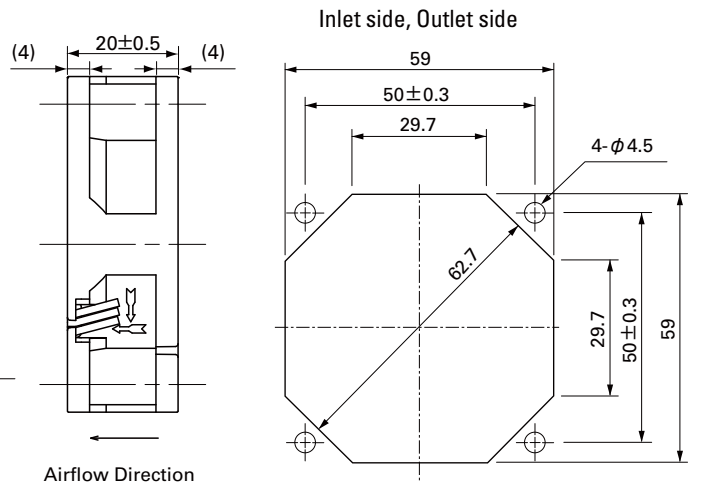
Model No.	Rated Voltage [V]	Operating Voltage Range [V]	Rated Current [A]	Rated Input [W]	Rated Speed [min ⁻¹]	Max. Airflow [m ³ /min] [CFM]	Max. Static Pressure [Pa] [inchH ₂ O]	SPL [dB(A)]	Operating Temperature [°C]	Expected Life [h]
9WF0624H601	24	12 to 27.6	0.15	3.6	6,600	0.69 24.3	114 0.45	42	-20 to +70	40,000/60°C

Other sensor specifications are available as options. Please refer to the index (p. 511).

Dimensions (unit: mm)



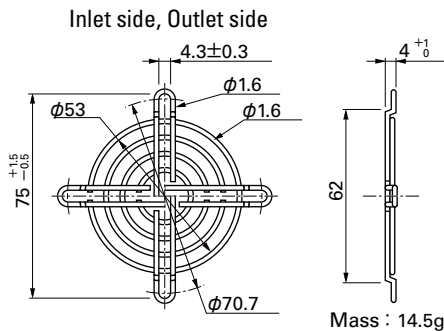
Reference Dimensions of Mounting Holes and Vent Opening (unit: mm)



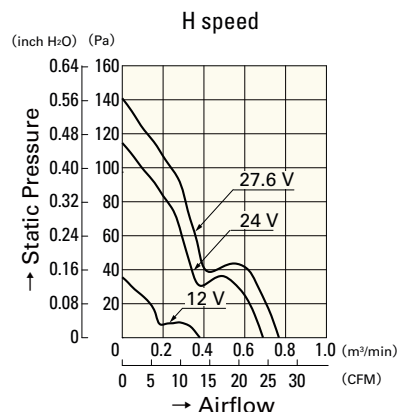
Options (unit: mm)

Finger Guards

Model : 109-139E Surface treatment : Nickel-chrome plating (silver) Color : 109-139H : Cation electropainting (black)



Airflow - Static Pressure Characteristics



9WF0624H601

60mm sq.

San Ace 60WF



General Specifications

- Material Frame: Plastics (Flammability: UL94V-0), Impeller: Plastics (Flammability: UL94V-0)
- Expected Life Refer to specifications (L10:Survival rate: 90% at 60°C, rated voltage, and continuously run in a free air state)
- Lead Wire ⊕red ⊖black (Sensor) yellow
- Storage Temperature -30°C to +70°C (Non-condensing)

The product can be used in an oil mist environment*

*Environment where machining oil mist is scattered.
Usage of this product requires an evaluation with the oil that will be used.

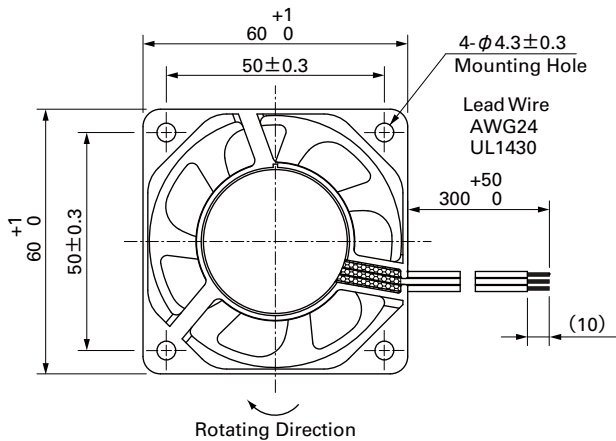
60×60×25mm (Mass : 110g) **9WF**type

Specifications The following nos. have pulse sensors and ribs.

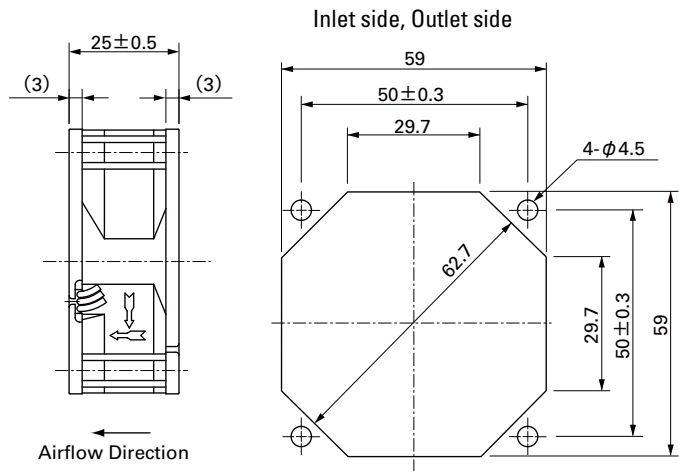
Model No.	Rated Voltage [V]	Operating Voltage Range [V]	Rated Current [A]	Rated Input [W]	Rated Speed [min ⁻¹]	Max. Airflow [m ³ /min] [CFM]	Max. Static Pressure [Pa] [inchH ₂ O]	SPL [dB(A)]	Operating Temperature [°C]	Expected Life [h]
9WF0624H401	24	20.4 to 27.6	0.15	3.6	6,500	0.67 23.6	97 0.38	41	- 20 to + 70	40,000/60°C

Other sensor specifications are available as options. Please refer to the index (p. 511).

Dimensions (unit: mm)



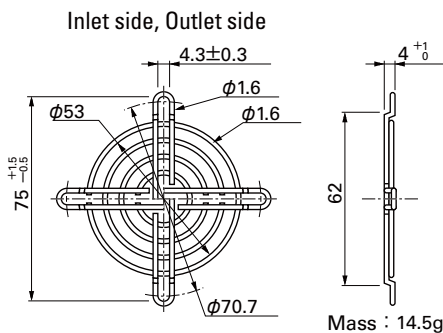
Reference Dimensions of Mounting Holes and Vent Opening (unit: mm)



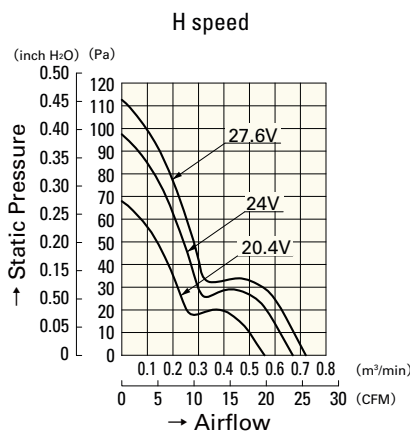
Options (unit: mm)

Finger Guards

Model : 109-139E Surface treatment : Nickel-chrome plating (silver) Color : 109-139H : Cation electropainting (black)



Airflow - Static Pressure Characteristics



9WF0624H401

80mm sq.

San Ace 80WF



General Specifications

- Material Frame: Plastics (Flammability: UL94V-0), Impeller: Plastics (Flammability: UL94V-0)
- Expected Life Refer to specifications (L10:Survival rate: 90% at 60°C, rated voltage, and continuously run in a free air state)
- Lead Wire ⊕red ⊖black (Sensor) yellow
- Storage Temperature -30°C to +70°C (Non-condensing)

The product can be used in an oil mist environment*

*Environment where machining oil mist is scattered.
Usage of this product requires an evaluation with the oil that will be used.

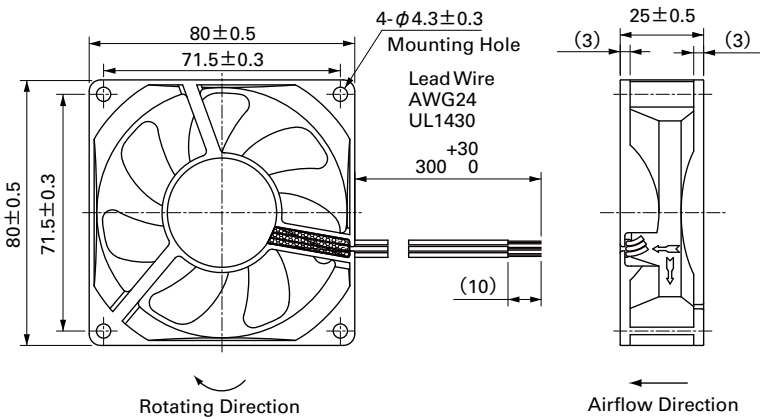
80×80×25mm (Mass : 130g) 9WF type

Specifications The following nos. have pulse sensors and ribs.

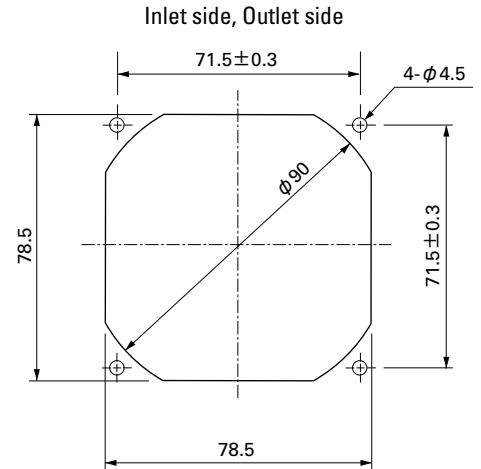
Model No.	Rated Voltage [V]	Operating Voltage Range [V]	Rated Current [A]	Rated Input [W]	Rated Speed [min ⁻¹]	Max. Airflow [m ³ /min] [CFM]	Max. Static Pressure [Pa] [inchH ₂ O]	SPL [dB(A)]	Operating Temperature [°C]	Expected Life [h]
9WF0824S401	24	20.4 to 27.6	0.16	3.84	4,000	1.2 42.4	58 0.23	38	-20 to +70	40,000/60°C

Other sensor specifications are available as options. Please refer to the index (p. 511).

Dimensions (unit: mm)



Reference Dimensions of Mounting Holes and Vent Opening (unit: mm)

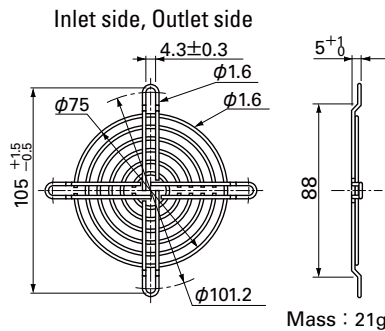
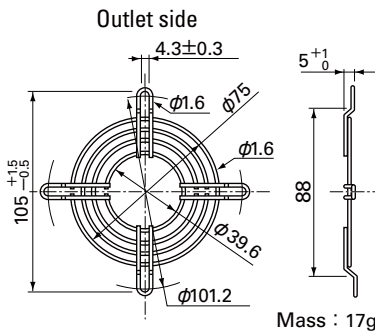


Options (unit: mm)

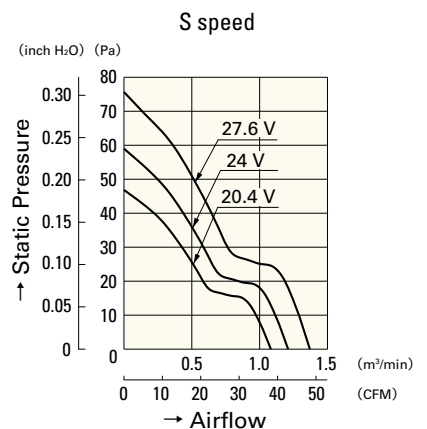
Finger Guards

Model : 109-049C Surface treatment : Nickel-chrome plating (silver) Color

Model : 109-049E Surface treatment : Nickel-chrome plating (silver) Color : 109-049H : Cation electropainting (black)



Airflow - Static Pressure Characteristics



9WF0824S401

92mm sq.

San Ace 92WF



General Specifications

- Material Frame: Plastics (Flammability: UL94V-0),
Impeller: Plastics (Flammability: UL94V-0)
- Expected Life Refer to specifications (L10:Survival rate: 90% at 60°C ,
rated voltage, and continuously run in a free air state)
- Lead Wire ⊕red ⊖black (Sensor) yellow
- Storage Temperature -30°C to +70°C (Non-condensing)

The product can be used in an oil mist environment*

*Environment where machining oil mist is scattered.
Usage of this product requires an evaluation with the oil that will be used.

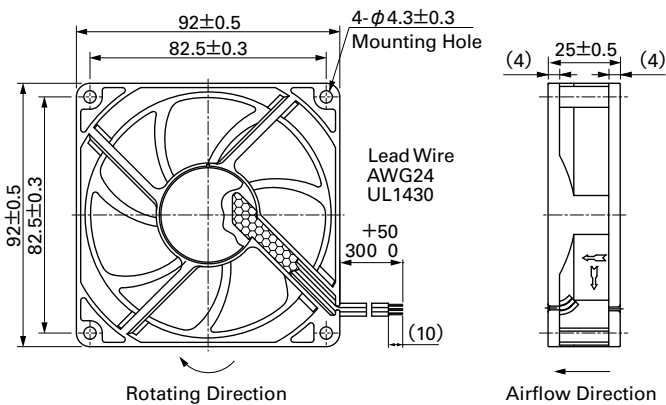
92×92×25mm (Mass : 120g) **9WF** type

Specifications The following nos. **have pulse sensors and ribs.** For ribless, append "1" to the model no.

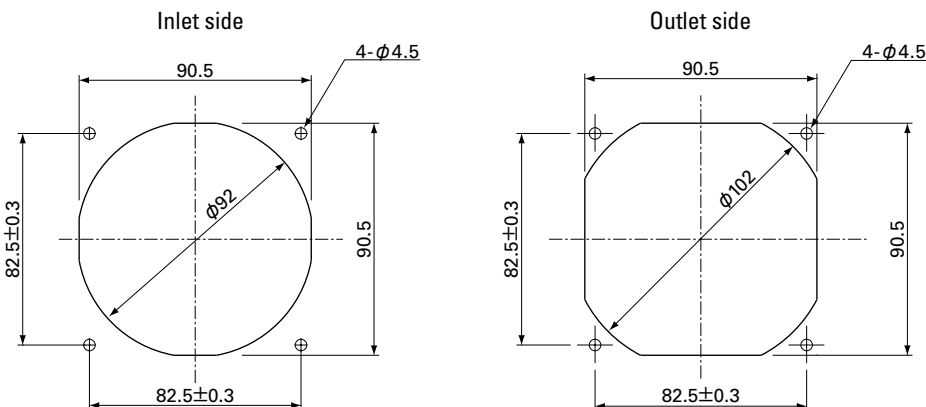
Model No.	Rated Voltage [V]	Operating Voltage Range [V]	Rated Current [A]	Rated Input [W]	Rated Speed [min ⁻¹]	Max. Airflow [m ³ /min] [CFM]	Max. Static Pressure [Pa] [inchH ₂ O]	SPL [dB(A)]	Operating Temperature [°C]	Expected Life [h]
9WF0924H401	24	20.4 to 27.6	0.13	3.12	3,900	1.45 51.2	66 0.26	42.5	-20 to +70	40,000/60°C

Other sensor specifications are available as options. Please refer to the index (p. 511).

Dimensions (unit: mm)



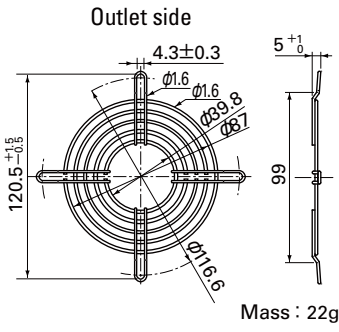
Reference Dimensions of Mounting Holes and Vent Opening (unit: mm)



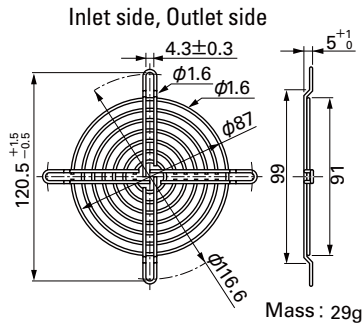
Options (unit: mm)

Finger Guards

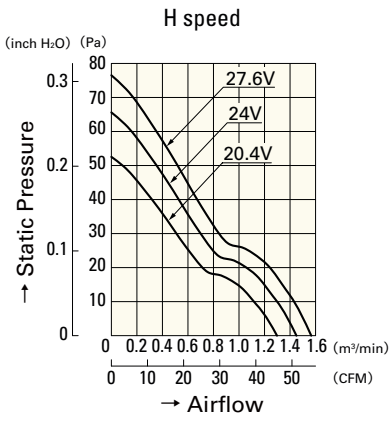
Model : 109-099C Surface treatment : Nickel-chrome plating (silver) Color



Model : 109-099E Surface treatment : Nickel-chrome plating (silver) Color
: 109-099H : Cation electropainting (black)



Airflow - Static Pressure Characteristics



9WF0924H401

DC

Oil Proof Fan 92mm

92mm sq.

San Ace 92WF



General Specifications

- Material Frame: Plastics (Flammability: UL94V-0),
Impeller: Plastics (Flammability: UL94V-0)
- Expected Life Refer to specifications (L10:Survival rate: 90% at 60°C ,
rated voltage, and continuously run in a free air state)
- Lead Wire ⊕red ⊖black (Sensor) yellow
- Storage Temperature -30°C to +70°C (Non-condensing)

The product can be used in an oil mist environment*

*Environment where machining oil mist is scattered.
Usage of this product requires an evaluation with the oil that will be used.

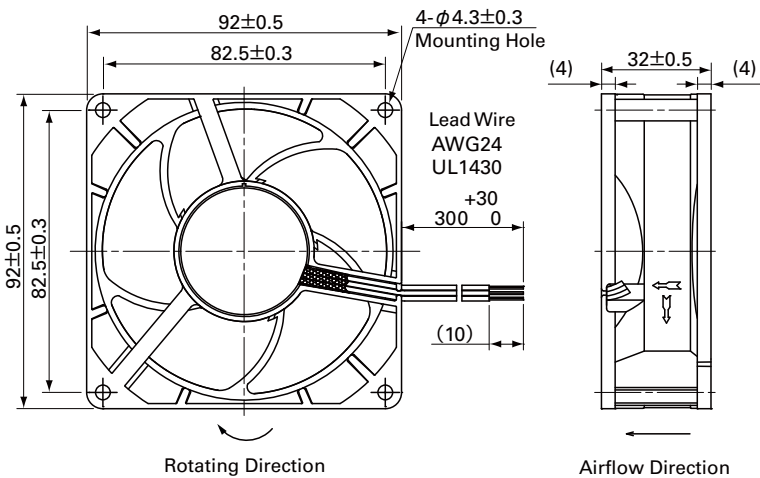
92×92×32mm [Mass : 185g] **9WF type**

Specifications The following nos. **have pulse sensors and ribs.** For ribless, append "1" to the model no.

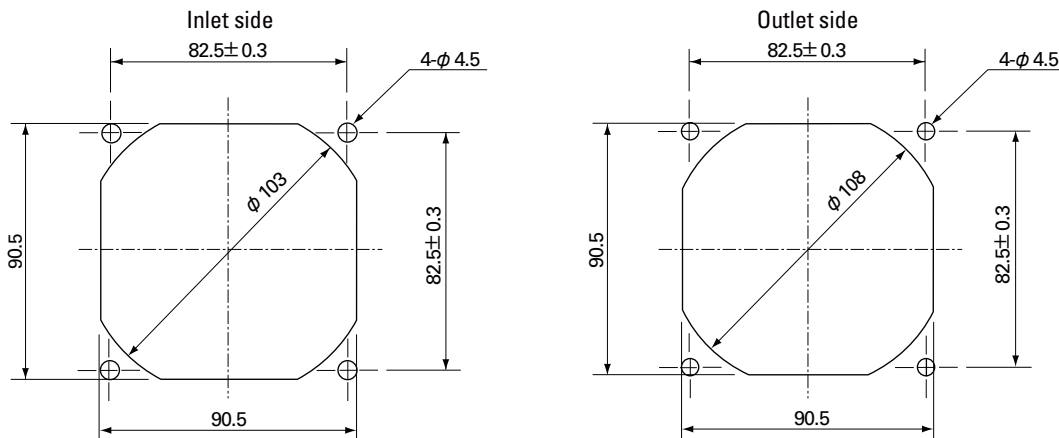
Model No.	Rated Voltage [V]	Operating Voltage Range [V]	Rated Current [A]	Rated Input [W]	Rated Speed [min ⁻¹]	Max. Airflow [m ³ /min] [CFM]	Max. Static Pressure [Pa] [inchH ₂ O]	SPL [dB(A)]	Operating Temperature [°C]	Expected Life [h]
9WF0924S201	24	20.4 to 27.6	0.5	12	7,300	2.8 98.9	255 1.02	58	-20 to +70	40,000/60°C
9WF0924H201			0.35	8.4	6,500	2.45 86.5	200 0.8	56		

Other sensor specifications are available as options. Please refer to the index (p. 511).

Dimensions (unit: mm)



Reference Dimensions of Mounting Holes and Vent Opening (unit: mm)

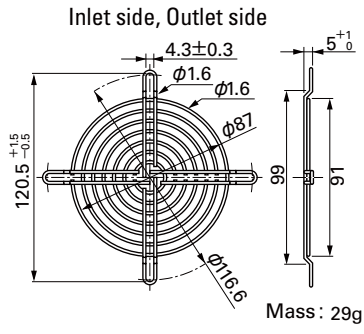
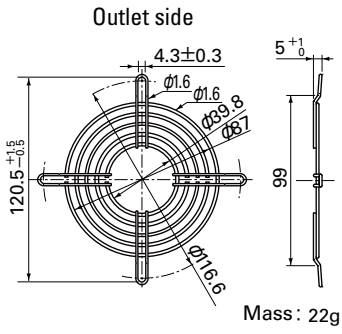


Options (unit: mm)

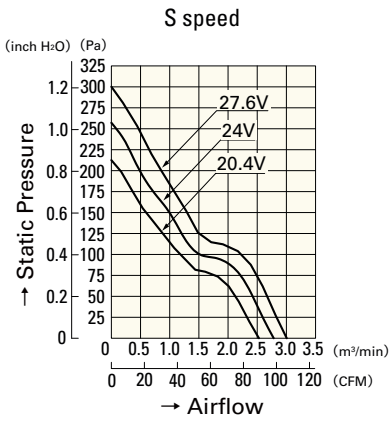
Finger Guards

Model : 109-099C Surface treatment : Nickel-chrome plating (silver) Color

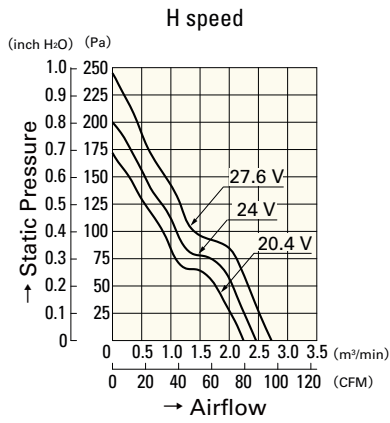
Model : 109-099E Surface treatment : Nickel-chrome plating (silver) Color
: 109-099H : Cation electropainting (black)



Airflow - Static Pressure Characteristics



9WF0924S201



9WF0924H201

120mm sq.

San Ace 120WF



General Specifications

- Material Frame: Plastics (Flammability: UL94V-0),
Impeller: Plastics (Flammability: UL94V-0)
- Expected Life Refer to specifications (L10:Survival rate: 90% at 60°C ,
rated voltage, and continuously run in a free air state)
- Lead Wire ⊕red ⊖black (Sensor) yellow
- Storage Temperature -30°C to +70°C (Non-condensing)

The product can be used in an oil mist environment*

*Environment where machining oil mist is scattered.
Usage of this product requires an evaluation with the oil that will be used.

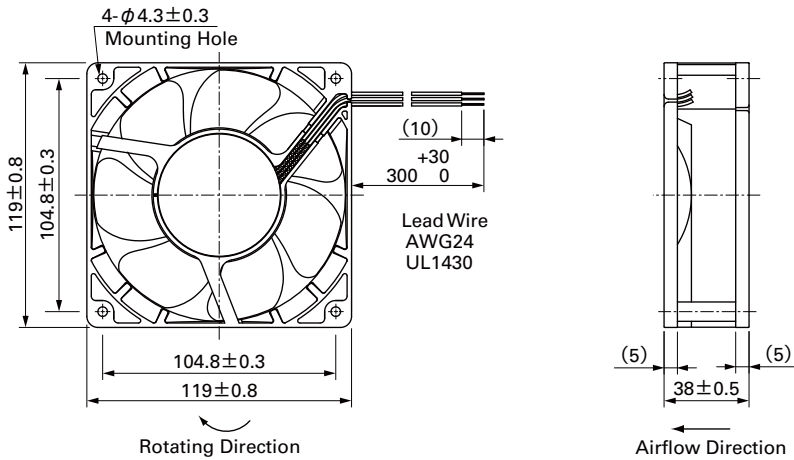
120×120×38mm [Mass : 355g] **9WF type**

Specifications The following nos. have pulse sensors and ribs.

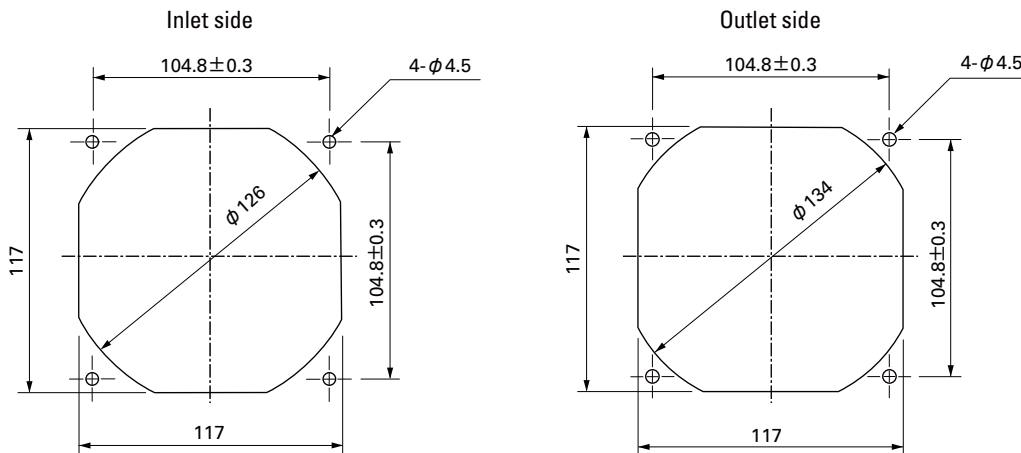
Model No.	Rated Voltage [V]	Operating Voltage Range [V]	Rated Current [A]	Rated Input [W]	Rated Speed [min ⁻¹]	Max. Airflow [m ³ /min] [CFM]	Max. Static Pressure [Pa] [inchH ₂ O]	SPL [dB(A)]	Operating Temperature [°C]	Expected Life [h]
9WF1224H101	24	20.4 to 27.6	0.32	7.68	3,100	3.34 118	100 0.40	46	- 20 to + 70	40,000/60°C

Other sensor specifications are available as options. Please refer to the index (p. 511).

Dimensions (unit: mm)



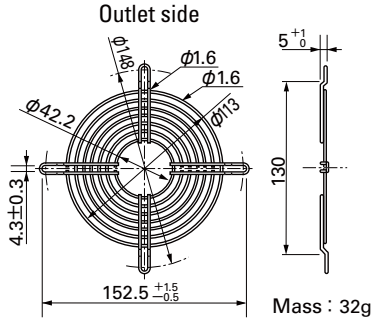
Reference Dimensions of Mounting Holes and Vent Opening (unit: mm)



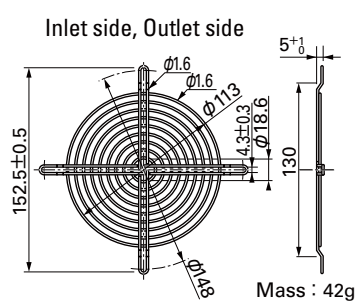
Options (unit: mm)

Finger Guards

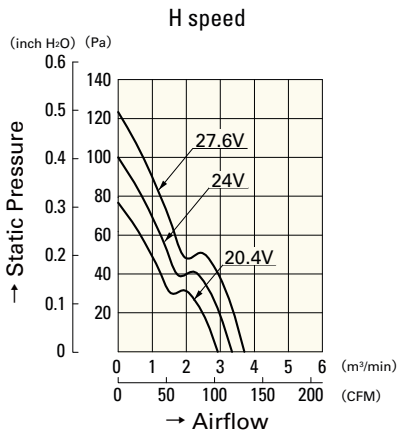
Model : 109-019C Surface treatment : Nickel-chrome plating (silver) Color : 109-019H Cation electropainting (black)



Model : 109-019E Surface treatment : Nickel-chrome plating (silver) Color : 109-019K Cation electropainting (black)



Airflow - Static Pressure Characteristics



9WF1224H101

DC

Oil Proof Fan 120mm

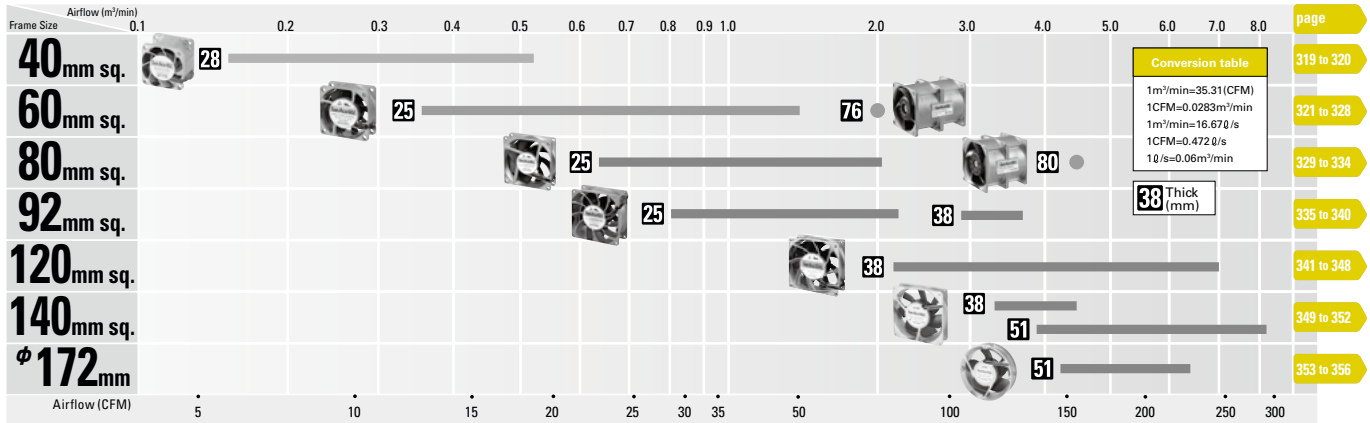
Long Life Fan

Cooling fan with Max. 200,000 hours of expected life.

Related product

Splash Proof, Long Life Fan ⇒ pp. 248, 251, 257, 267

Domain Diagram



Model Numbering System

Not every combination of the following codes or characters is available. Contact us for an available combination.

109L	12	12	H	1	01
Type name / frame material 109L / Aluminum 9LB / Aluminum 9GL / Aluminum 9L / Aluminum 9LG / Aluminum 9CRL / Aluminum	Frame size 04: 40×40mm 06: 60×60mm 08: 80×80mm 09: 92×92mm 12: 120×120mm 14: 140×140mm 17: φ172mm 57: φ172mm×150mm (sidecut)	Voltage 12: 12V 24: 24V 48: 48V etc	Speed code E,F,G,H,J,L,M,S etc	Frame thickness 0: 76mm thick 1: 38mm thick 3: 28mm thick 4: 25mm thick 5: 51mm thick 8: 80mm thick	Sensor specifications 01: With a pulse sensor 02: Without a sensor D01: With a lock sensor

Fans with PWM control function

Example :

9LG	06	12	P	4	S	001
Type name / frame material 9LG / Aluminum	Frame size 06: 60×60mm	Voltage 12: 12V	PWM control function	Frame thickness 4: 25mm thick	Speed code	Individual customer's spec 2 or 3 digits

How to Read Specifications

DC Fan											DC	
Model No.	① Rated Voltage [V]	② Operating Voltage Range [V]	③ Rated Current [A]	④ Rated Input [W]	⑤ Rated Speed [min ⁻¹]	⑥ Max. Airflow [m ³ /min] [CFM]		⑦ Max. Static Pressure [Pa] [inchH ₂ O]		⑧ SPL [dB(A)]	⑨ Operating Temperature [°C]	⑩ Expected Life [h]
9GA0412G7001	12	7 to 13.8	0.17	2.04	13,100	0.36	12.7	192	0.77	42	-20 to +70	40,000/60°C (70,000/40°C)

- ① Rated Voltage This is the necessary voltage to drive the fan. 12VDC, 24VDC and 48VDC are available.
- ② Operating Voltage Range ... The voltage range over which fan operation is guaranteed
- ③ Rated Current The current value during the fan's rated operation without load
- ④ Rated Input The input value during the fan's rated operation without load
- ⑤ Rated Speed The rotating speed during the fan's rated operation without load
- ⑥ Max. Airflow The maximum air volume that the fan can output during rated operation (according to the company's dual-chamber device).
The volume of air generated by the fan in a given time period
- ⑦ Max. Static Pressure The maximum static pressure value that the fan can output during rated operation (according to the company's dual-chamber device). The static pressure is the fan's force to propel air by overcoming the resistance of the device that uses the fan when it propels air.
- ⑧ SPL "SPL" is Sound Pressure Level. The noise level during the fan's rated operation.
Please refer to the technical material section for the method used to measure the noise level.
- ⑨ Operating Temperature The temperature range over which fan operation is guaranteed (Non- condensing)
- ⑩ Expected Life The fan's expected operating life when the fan operates continuously at the rated voltage at a temperature of 60°C and at relative humidity of 90%. Expected life at 40°C ambient is just reference value.
Please refer to the technical material section for the expected operating life.

DC Fan Common Specifications

Material Frame,Impeller:Plastics / Frame:Aluminum,Impeller:Plastics

* For details, refer to the appropriate page.

Expected LifeVaries for each model (L10:Survival rate:90% at 60°C ,rated voltage, and continuously run in a free air state)

* Splash proof fan: Varies for each model (Indoor, L10:Survival rate:90% at 60°C ,rated voltage, and continuously run in a free air state)

Motor Protection Burnout protection at locked rotor condition and Reverse polarity protection

Dielectric StrengthAC50/60Hz 500VAC 1minute(between lead conductor and frame)

Insulation Resistance10M Ω or more at 500VDC megger (between lead conductor and frame)

Sound Pressure Level(SPL) ..Expressed as the value at 1m from air inlet side

Lead WireFor details, refer to the appropriate page.

Overheating protection function

Protection Functions:

If the fan blades are restricted, an overcurrent occurs and leads to a rise in the fan coil temperature. This can result in reduced performance, damage, or a fire. To prevent this from occurring, SANYO DENKI's fans incorporate an overheating protection function. Refer to the catalog for the types of protection functions.

Burnout protection function at locked rotor condition

- Current cutoff system

If the fan blades are restricted, the coil current is cut off at regular cycles to prevent overheating of the coil. When the hindrance is removed, the fan restarts automatically.

Reverse polarity protection function

No problem about fan even if positive & negative lead are connected in reverse.

However, when wiring fans with sensors or PWM speed control function, connecting positive and negative leads in reverse may damage the fans.

40 mm sq.

San Ace 40L



General Specifications

- Material Frame: Aluminum, Impeller: Plastics (Flammability: UL94V-0)
- Expected Life Refer to specifications (L10:Survival rate: 90% at 60°C , rated voltage, and continuously run in a free air state)
- Lead Wire ⊕red ⊖black (Sensor) yellow
- Storage Temperature -30°C to +70°C (Non-condensing)

40×40×28mm (Mass : 55g) **9L type**

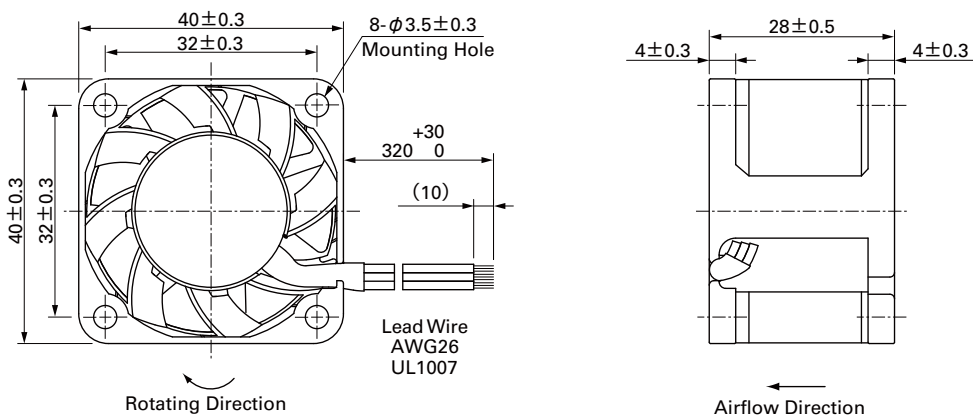
Specifications

The following nos. **have pulse sensors.**

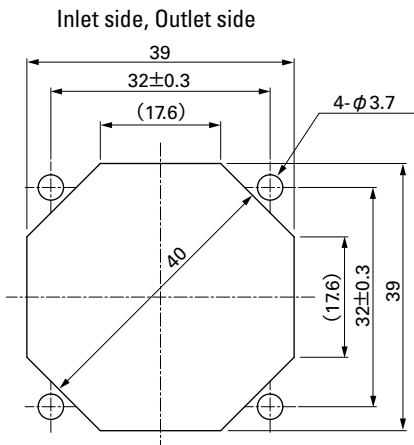
Model No.	Rated Voltage [V]	Operating Voltage Range [V]	Rated Current [A]	Rated Input [W]	Rated Speed [min ⁻¹]	Max. Airflow [m ³ /min] [CFM]	Max. Static Pressure [Pa] [inchH ₂ O]	SPL [dB(A)]	Operating Temperature [°C]	Expected Life [h]
9L0412J301	12	10.2 to 13.8	0.31	3.72	11,700	0.52 18.4	206 0.827	48	-20 to +70	100,000/60°C
9L0412H301			0.15	1.80	8,400	0.37 13.1	106 0.426	40		
9L0412M301			0.045	0.54	4,000	0.16 5.65	24 0.096	19		

Other sensor specifications are available as options. Please refer to the index (p. 509).

Dimensions (unit: mm)



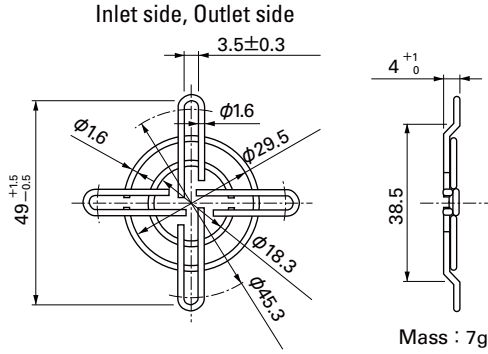
Reference Dimensions of Mounting Holes and Vent Opening (unit: mm)



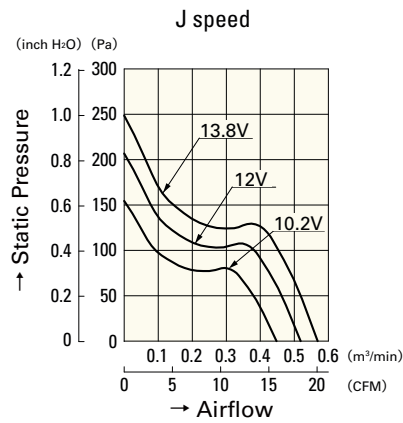
Options (unit: mm)

Finger Guards

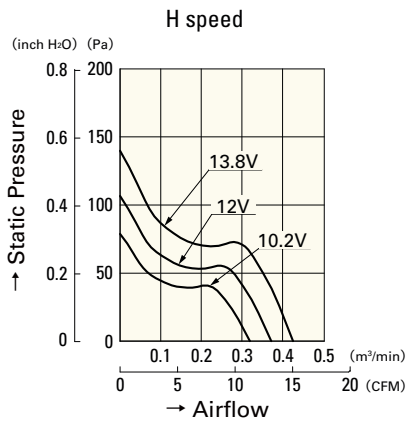
Color
 Model : 109-059 Surface treatment : Nickel-chrome plating (silver)
 : 109-059H : Cation electropainting (black)



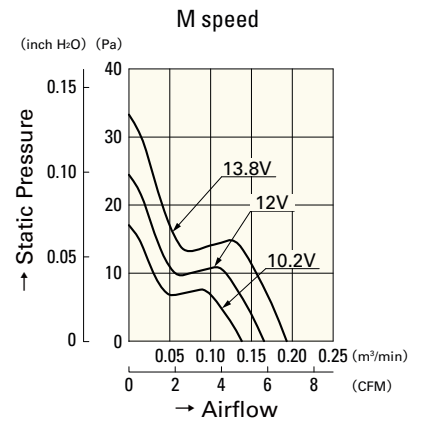
Airflow - Static Pressure Characteristics



9L0412J301



9L0412H301



9L0412M301

DC
 Long Life Fan 40mm

60mm sq.

San Ace 60L



General Specifications

- Material Frame: Aluminum,
Impeller: Plastics (Flammability: UL94V-1)
- Expected Life Refer to specifications (L10:Survival rate:90% at 60°C ,
rated voltage, and continuously run in a free air state)
- Lead Wire ⊕red ⊖black (Sensor) yellow (Control) brown
- Storage Temperature -30°C to +70°C (Non-condensing)

60×60×25mm (Mass : 100g) **9LG type** **High Airflow**

Specifications

The following nos. have PWM controls and pulse sensors.

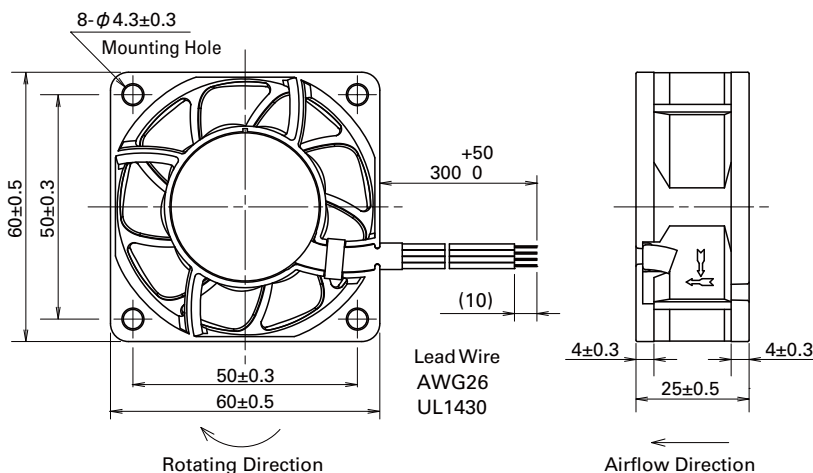
Model No.	Rated Voltage [V]	Operating Voltage Range [V]	PWM duty cycle ^{Note1)} [%]	Rated Current [A]	Rated Input [W]	Rated Speed [min ⁻¹]	Max. Airflow [m ³ /min] [CFM]	Max. Static Pressure [Pa] [inchH ₂ O]	SPL [dB(A)]	Operating Temperature [°C]	Expected Life [h]		
9LG0612P4S001	12	10.8 to 13.2	100	0.67	8.04	11,000	1.40 49.4	300 1.204	53	-20 to +70	180,000/60°C		
			20	0.06	0.72	2,900	0.36 12.7	20.8 0.083	20				
9LG0612P4J001			100	0.39	4.68	8,650	1.10 38.8	182 0.730	47				
			20	0.03	0.36	1,150	0.13 4.8	3.3 0.013	14				
9LG0612P4H001			100	0.17	2.04	6,150	0.78 27.5	97 0.389	35				
			20	0.03	0.36	1,350	0.17 6.0	4.7 0.018	14				
9LG0612P4M001			100	0.09	1.08	4,200	0.53 18.7	45 0.180	24				
			20	0.03	0.36	900	0.11 3.8	2.0 0.008	14				
9LG0624P4S001			24	21.6 to 26.4	100	0.34	8.16	11,000	1.40 49.4			300 1.204	53
					20	0.03	0.72	2,900	0.36 12.7			20.8 0.083	20
9LG0624P4J001					100	0.19	4.56	8,650	1.10 38.8			182 0.730	47
					20	0.02	0.48	2,200	0.28 9.8			12.0 0.048	17
9LG0624P4H001	100	0.08			1.92	6,150	0.78 27.5	97 0.389	35				
	20	0.02			0.48	1,300	0.16 5.6	4.3 0.017	14				
9LG0624P4M001	100	0.04			0.96	4,200	0.53 18.7	45 0.180	24				
	20	0.01			0.24	800	0.10 3.5	1.6 0.006	14				
9LG0648P4S001	48	36 to 72			100	0.18	8.64	11,000	1.40 49.4	305 1.224	53		
					20	0.02	0.96	2,900	0.36 12.7	20.8 0.083	20		
9LG0648P4J001					100	0.10	4.80	8,650	1.10 38.8	182 0.730	47		
					20	0.02	0.96	2,100	0.26 9.1	10.7 0.042	17		
9LG0648P4H001			100	0.06	2.88	6,150	0.78 27.5	97 0.389	35				
			20	0.02	0.96	1,000	0.12 4.2	2.5 0.010	14				
9LG0648P4M001			100	0.04	1.92	4,200	0.53 18.7	45 0.180	24				
			20	0.02	0.96	650	0.08 2.8	1.0 0.004	14				

Note : Fan does not rotate when PWM duty cycle is 0%.

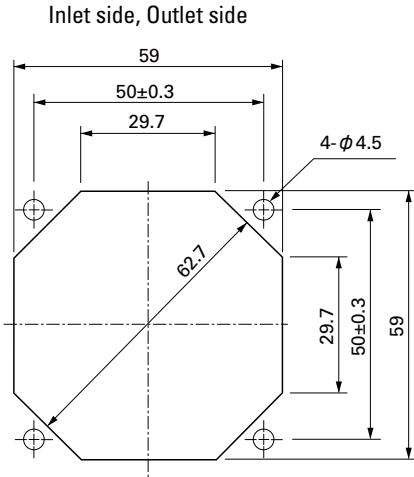
※PWM Frequency : 25kHz

Other sensor specifications are available as options. Please refer to the index (p. 509).

Dimensions (unit: mm)



Reference Dimensions of Mounting Holes and Vent Opening (unit: mm)



Options (unit: mm)

Finger Guards

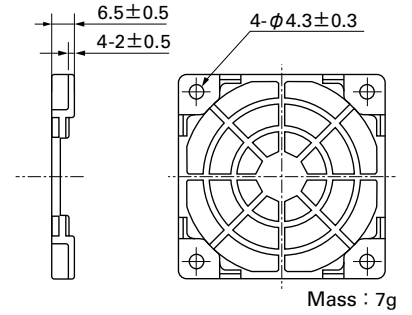
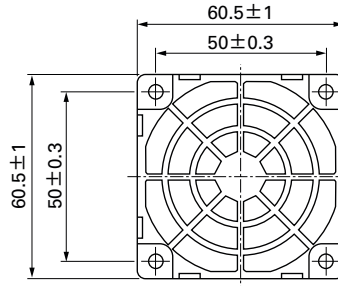
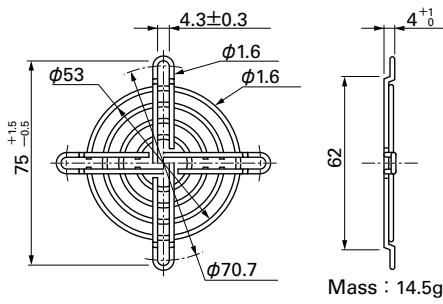
Model : 109-139E Surface treatment : Nickel-chrome plating (silver)
 : 109-139H : Cation electropainting (black)

Color

Resin Finger Guards

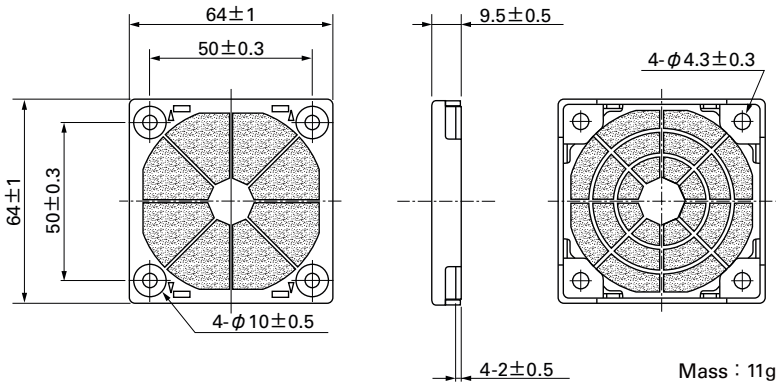
Model : 109-1003G

Inlet side, Outlet side



Resin Filter Kits

Model : 109-1003F13 (13PPI), 109-1003F20 (20PPI)
 : 109-1003F30 (30PPI), 109-1003F40 (40PPI)



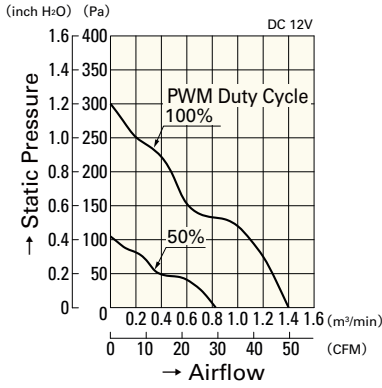
60mm sq.

San Ace 60L

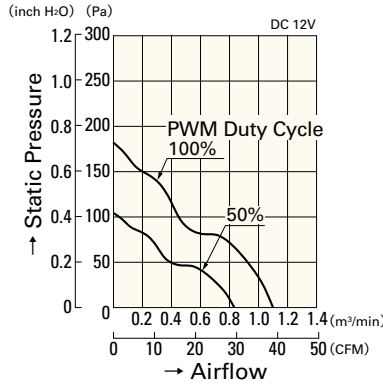
60×60×25mm [Mass : 100g]

Airflow - Static Pressure Characteristics

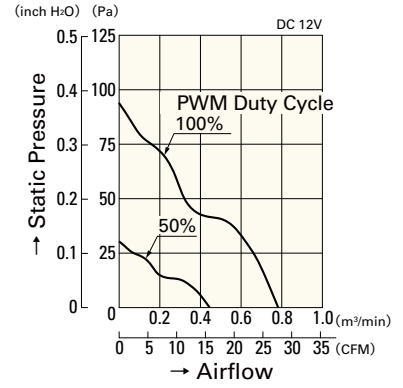
PWM Duty Cycle



9LG0612P4S001

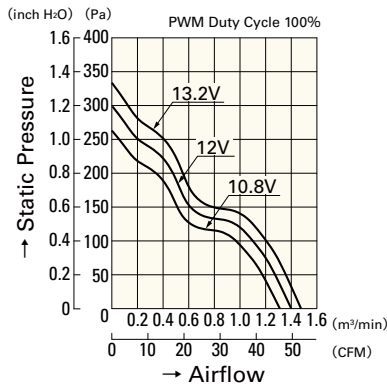


9LG0612P4J001

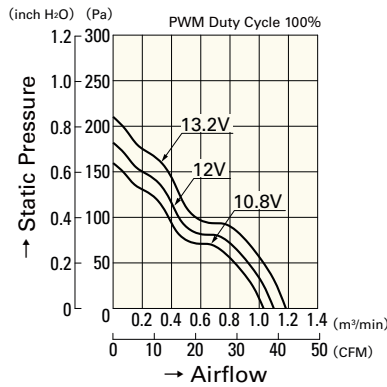


9LG0612P4H001

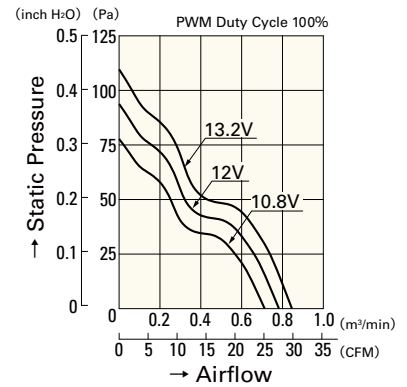
Operating Voltage Range



9LG0612P4S001

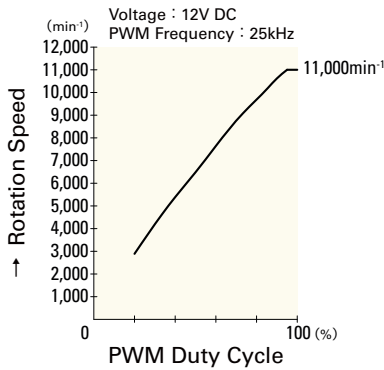


9LG0612P4J001

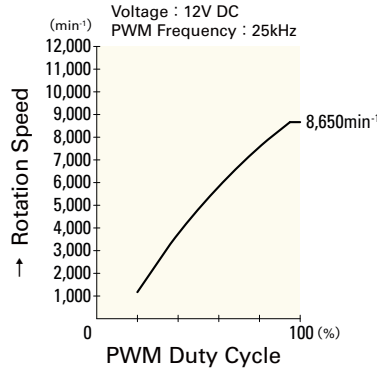


9LG0612P4H001

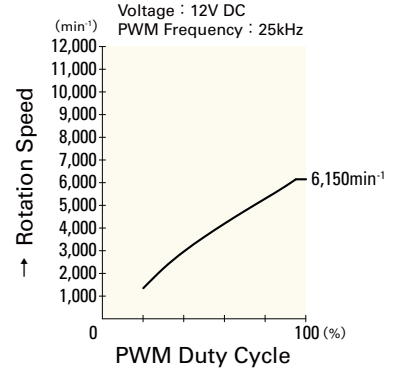
PWM Duty - Speed Characteristics Example



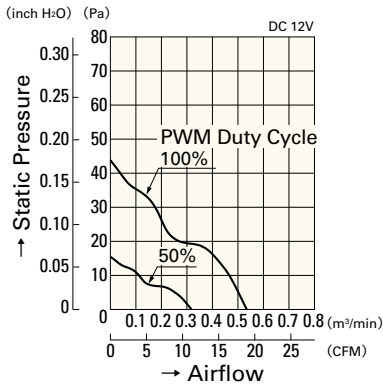
9LG0612P4S001



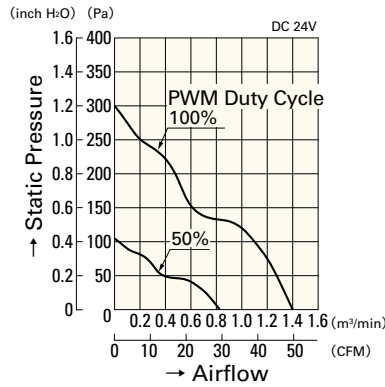
9LG0612P4J001



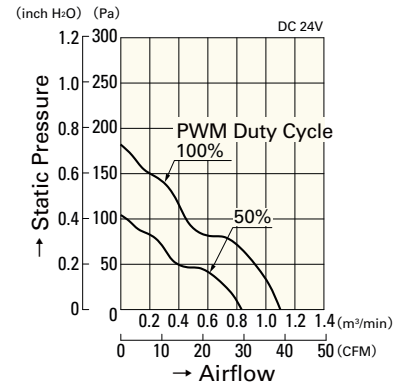
9LG0612P4H001



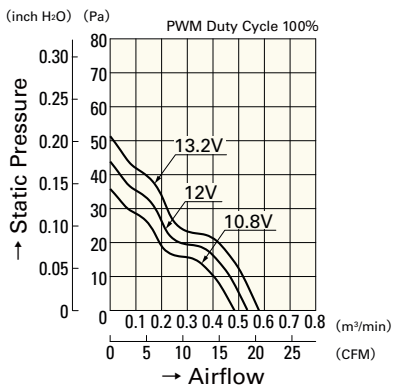
9LG0612P4M001



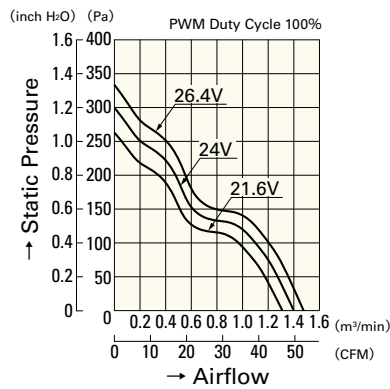
9LG0624P4S001



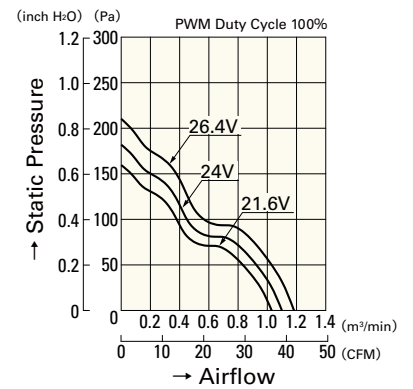
9LG0624P4J001



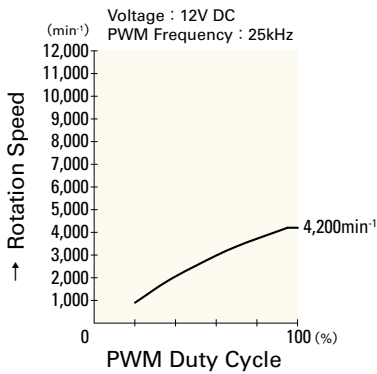
9LG0612P4M001



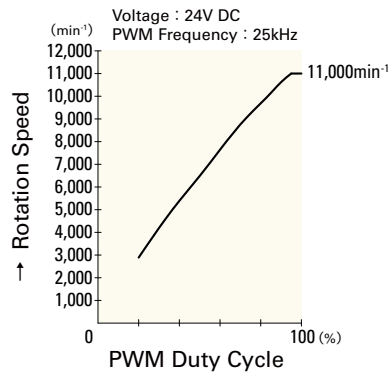
9LG0624P4S001



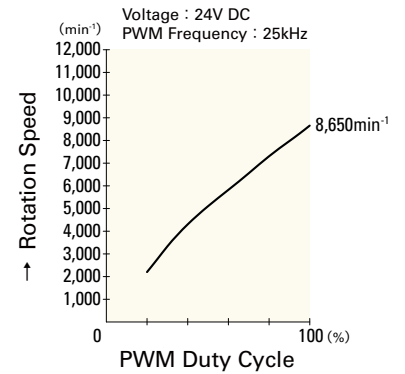
9LG0624P4J001



9LG0612P4M001



9LG0624P4S001



9LG0624P4J001

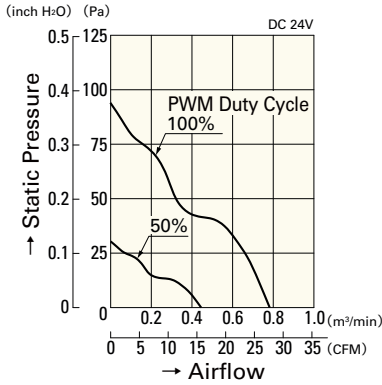
60mm sq.

San Ace 60L

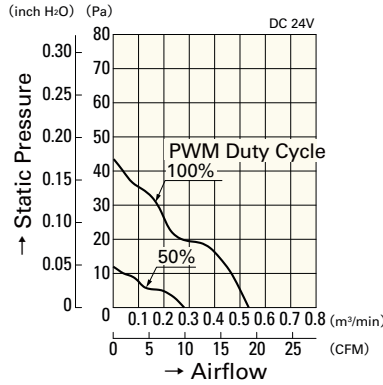
60×60×25mm [Mass : 100g]

Airflow - Static Pressure Characteristics

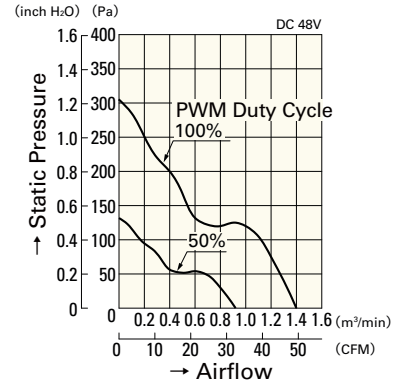
PWM Duty Cycle



9LG0624P4H001

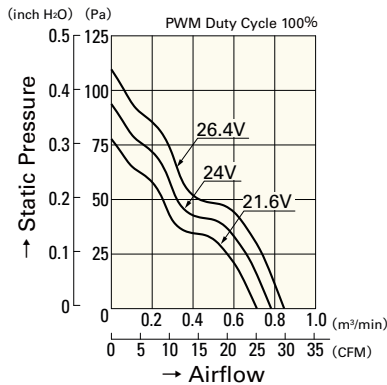


9LG0624P4M001

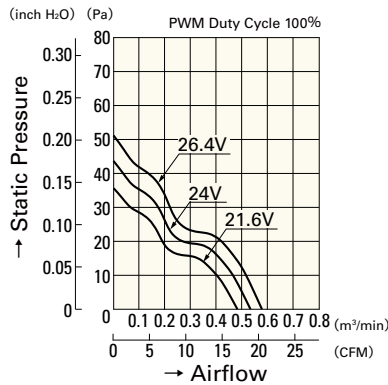


9LG0648P4S001

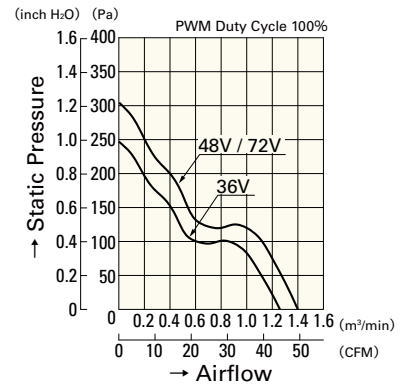
Operating Voltage Range



9LG0624P4H001

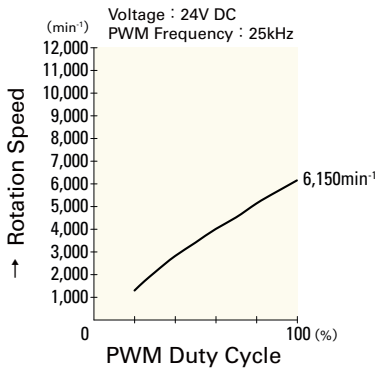


9LG0624P4M001

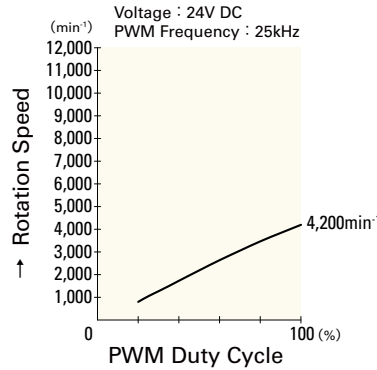


9LG0648P4S001

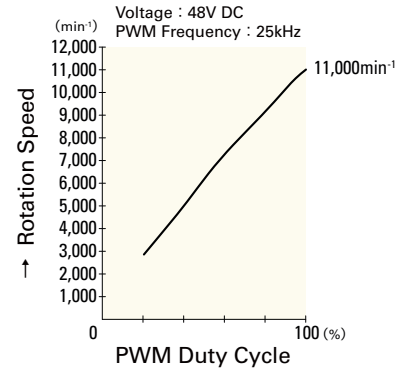
PWM Duty - Speed Characteristics Example



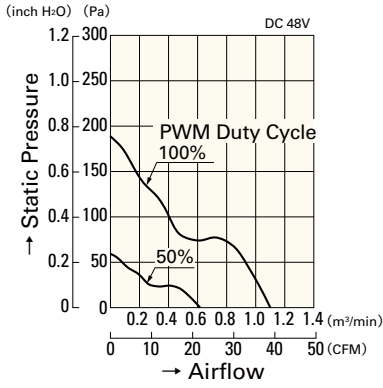
9LG0624P4H001



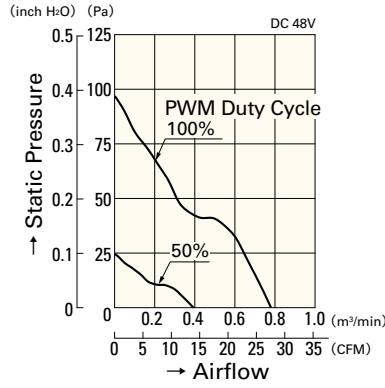
9LG0624P4M001



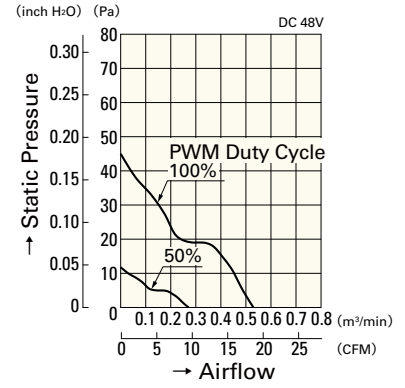
9LG0648P4S001



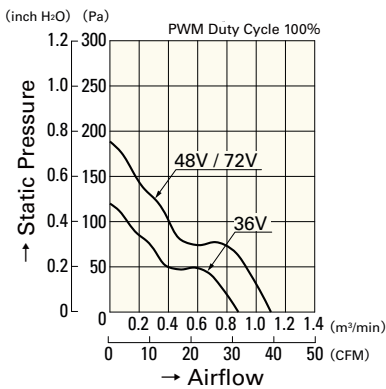
9LG0648P4J001



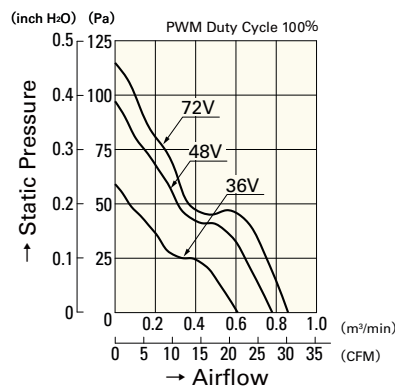
9LG0648P4H001



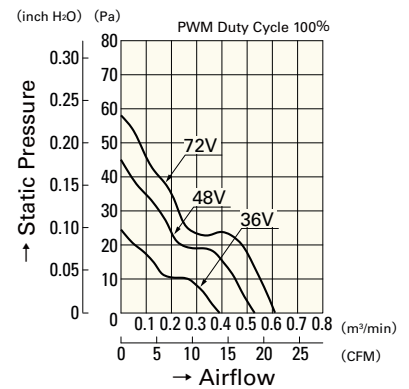
9LG0648P4M001



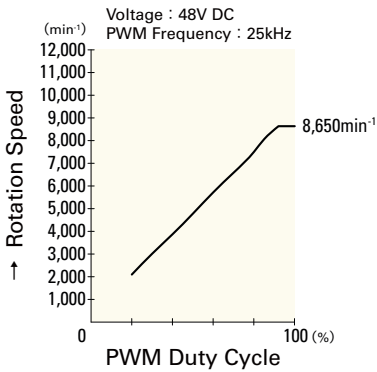
9LG0648P4J001



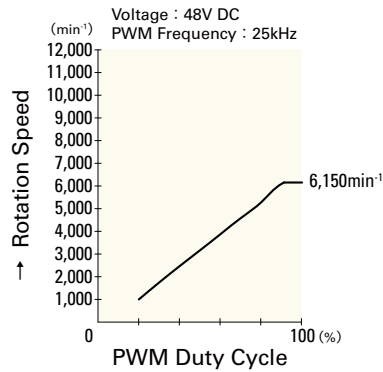
9LG0648P4H001



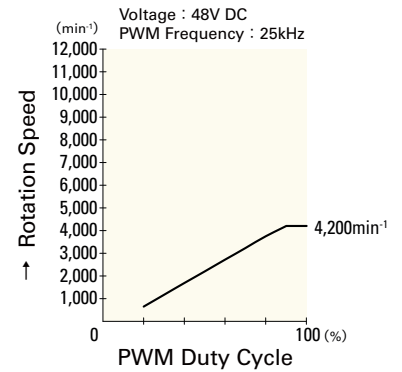
9LG0648P4M001



9LG0648P4J001



9LG0648P4H001



9LG0648P4M001

60mm sq.

San Ace 60L



General Specifications

- Material Frame: Aluminum,
Impeller: Plastics (Flammability: UL94V-1)
- Expected Life Refer to specifications (L10:Survival rate:90% at 60°C ,
rated voltage, and continuously run in a free air state)
- Lead Wire Inlet ⊕red ⊖black (Sensor) yellow (Control) brown
Outlet ⊕orange ⊖gray (Sensor) purple (Control) white
- Storage Temperature -30°C to +70°C (Non-condensing)

60×60×76mm (Mass : 300g) **9CRL type** **Counter Rotating**

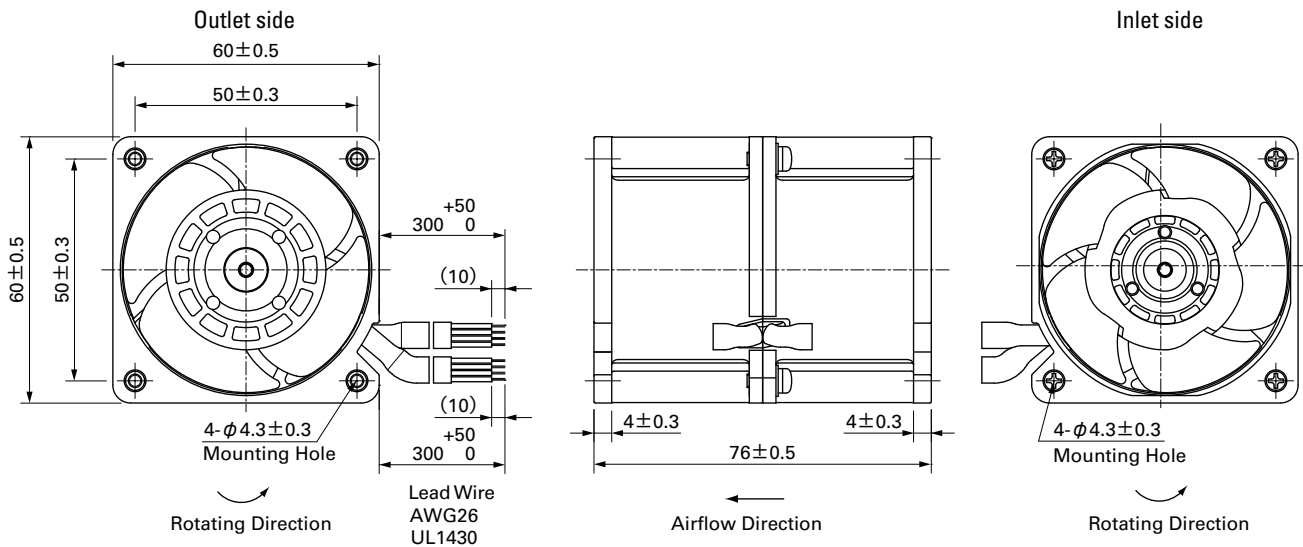
Specifications

The following nos. have PWM controls and pulse sensors.

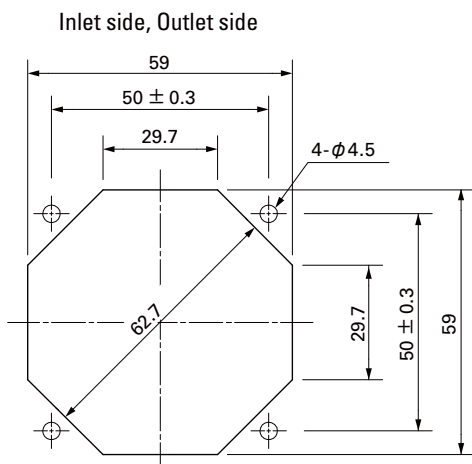
Model No.	Rated Voltage [V]	Operating Voltage Range [V]	PWM duty cycle* [%]	Rated Current [A]	Rated Input [W]	Rated Speed [min ⁻¹]		Max. Airflow [m ³ /min] [CFM]		Max. Static Pressure [Pa] [inchH ₂ O]		SPL [dB(A)]	Operating Temperature [°C]	Expected Life [h]
						Inlet	Outlet							
9CRL0612P0G001	12	10.8 to 13.2	100	2.3	27.6	16,500	13,000	2.0	70.6	1000	4.0	66	-20 to +70	130,000/60°C
			0	0.22	2.7	3,600	2,800	0.43	15.1	47.6	0.19	32		

*PWM Frequency : 25kHz

Dimensions (unit: mm)



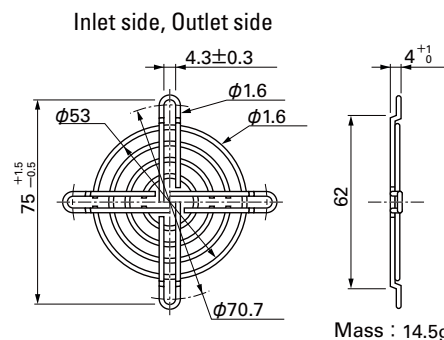
Reference Dimensions of Mounting Holes and Vent Opening (unit: mm)



Options (unit: mm)

Finger Guards

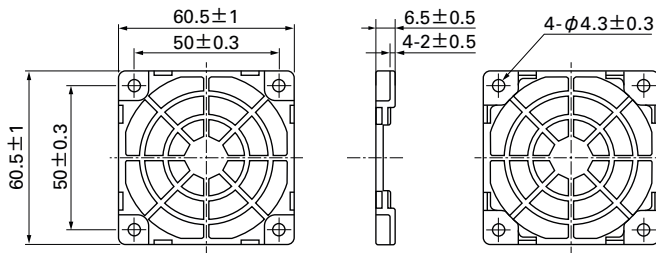
Model : 109-139E Surface treatment : Nickel-chrome plating (silver)
: 109-139H : Cation electropainting (black)



Options (unit: mm)

Resin Finger Guards

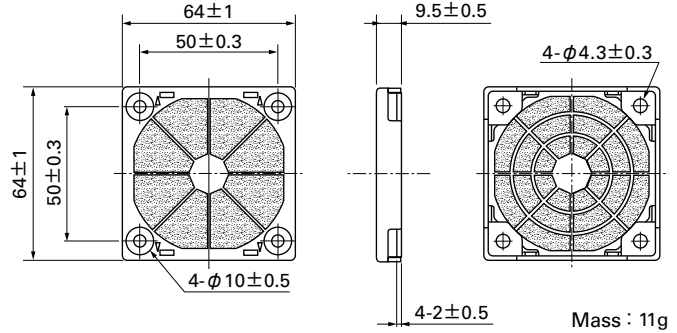
Model : 109-1003G



Mass : 7g

Resin Filter Kits

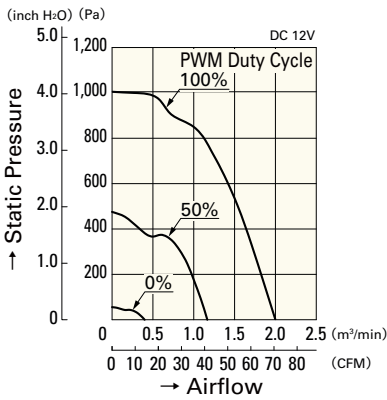
Model : 109-1003F13 (13PPI), 109-1003F20 (20PPI)
: 109-1003F30 (30PPI), 109-1003F40 (40PPI)



Mass : 11g

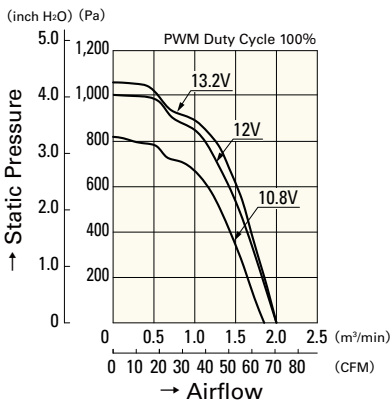
Airflow - Static Pressure Characteristics

PWM Duty Cycle



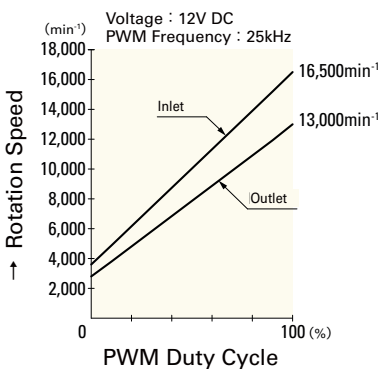
9CRL0612P0G001

Operating Voltage Range



9CRL0612P0G001

PWM Duty - Speed Characteristics Example



9CRL0612P0G001

DC

Long Life Fan 60mm

80mm sq.

San Ace 80L



General Specifications

- Material Frame: Aluminum,
Impeller: Plastics (Flammability: UL94V-1)
- Expected Life Refer to specifications (L10:Survival rate:90% at 60°C ,
rated voltage, and continuously run in a free air state)
- Lead Wire ⊕red ⊖black (Sensor) yellow (Control) brown
- Storage Temperature -30°C to +70°C (Non-condensing)

80×80×25mm (Mass : 130g) **9LG type** **High Airflow**

Specifications

The following nos. **have PWM controls and pulse sensors.**

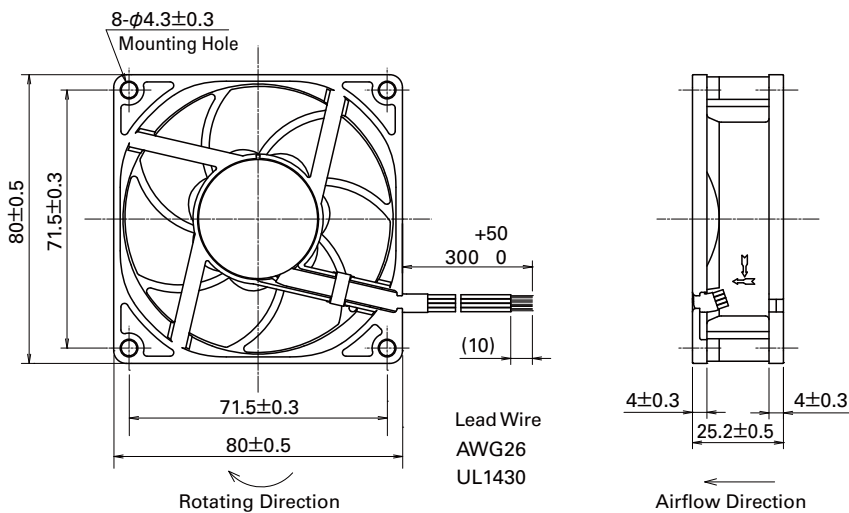
Model No.	Rated Voltage [V]	Operating Voltage Range [V]	PWM duty cycle ^{Note)1)} [%]	Rated Current [A]	Rated Input [W]	Rated Speed [min ⁻¹]	Max. Airflow [m ³ /min] [CFM]	Max. Static Pressure [Pa] [inchH ₂ O]	SPL [dB(A)]	Operating Temperature [°C]	Expected Life [h]
9LG0812P4J001	12	10.8 to 13.2	100	0.6	7.2	7,400	2.07 73.0	177 0.71	49	-20 to +70	180,000/60°C
			20	0.06	0.72	1,800	0.50 17.6	10.4 0.04	16		
9LG0812P4G001			100	0.30	3.60	5,500	1.54 54.3	98 0.39	43		
			25	0.05	0.60	1,400	0.39 13.7	6.3 0.02	14		
9LG0812P4H001			100	0.12	1.44	3,700	1.03 36.3	44 0.17	31		
			25	0.04	0.48	1,100	0.30 10.5	3.9 0.01	13		
9LG0824P4J001	24	21.6 to 26.4	100	0.28	6.72	7,400	2.07 73.0	177 0.71	49		
			20	0.05	1.20	2,400	0.67 23.6	18.6 0.07	22		
9LG0824P4G001			100	0.14	3.36	5,500	1.54 54.3	98 0.39	43		
			20	0.02	0.48	1,200	0.33 11.6	4.6 0.01	13		
9LG0824P4H001			100	0.05	1.2	3,700	1.03 36.3	44 0.17	31		
			30	0.02	0.48	1,100	0.30 10.5	3.9 0.01	13		

Note : Fan does not rotate when PWM duty cycle is 0%.

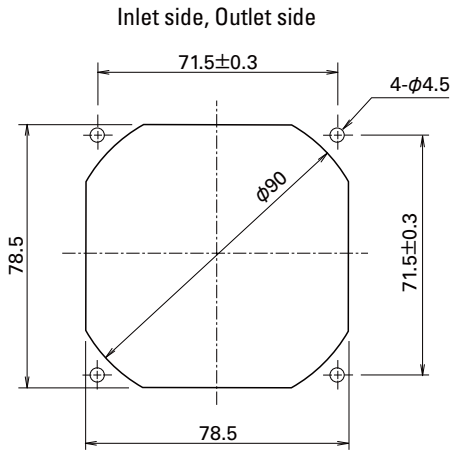
※PWM Frequency : 25kHz

Other sensor specifications are available as options. Please refer to the index (p. 509).

Dimensions (unit: mm)



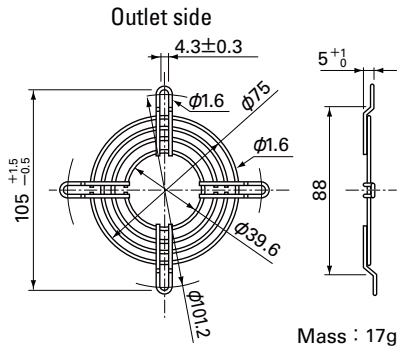
Reference Dimensions of Mounting Holes and Vent Opening (unit: mm)



Options (unit: mm)

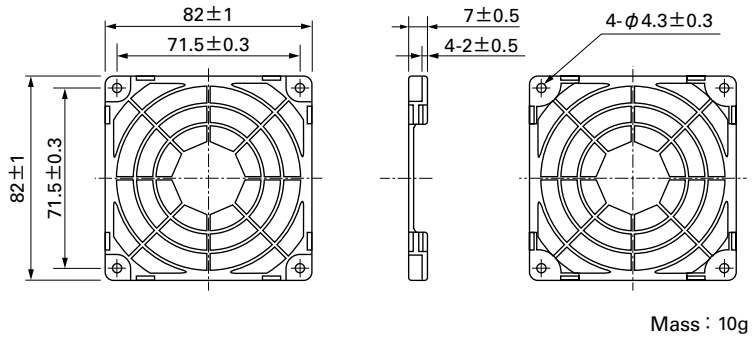
Finger Guards

Model : 109-049C Surface treatment : Nickel-chrome plating (silver) Color : Nickel-chrome plating (silver)

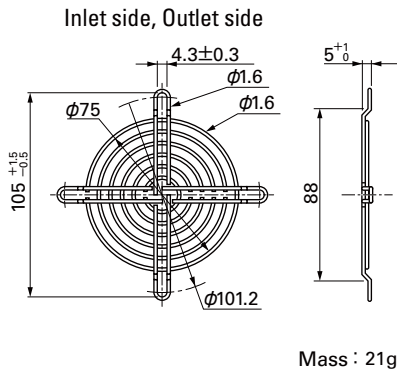


Resin Finger Guards

Model : 109-1002G

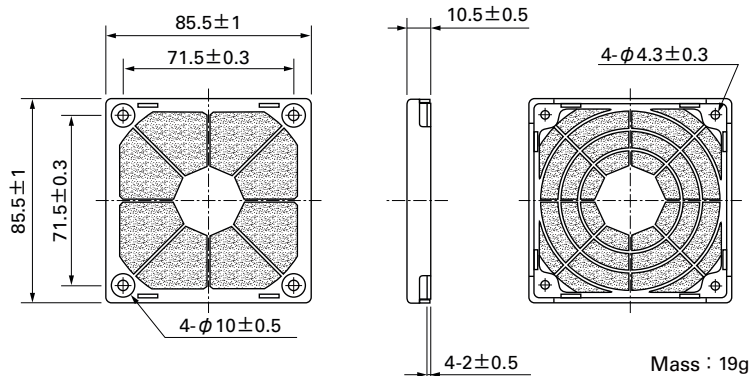


Model : 109-049E Surface treatment : Nickel-chrome plating (silver) Color : Nickel-chrome plating (silver)
: 109-049H : Cation electropainting (black)



Resin Filter Kits

Model : 109-1002F13 (13PPI), 109-1002F20 (20PPI)
: 109-1002F30 (30PPI), 109-1002F40 (40PPI)



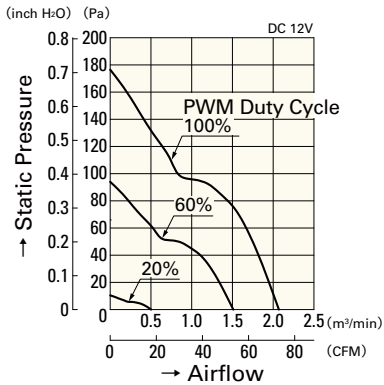
80mm sq.

San Ace 80L

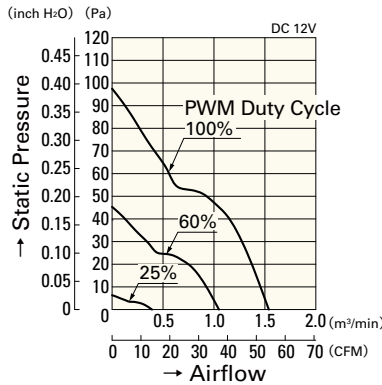
80×80×25mm [Mass : 130g]

Airflow - Static Pressure Characteristics

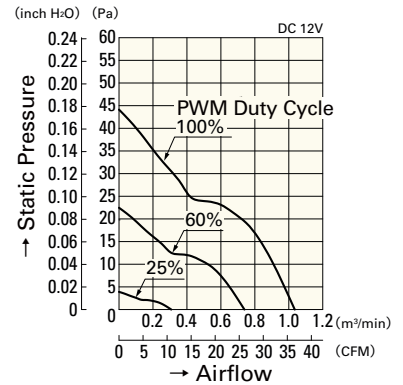
PWM Duty Cycle



9LG0812P4J001

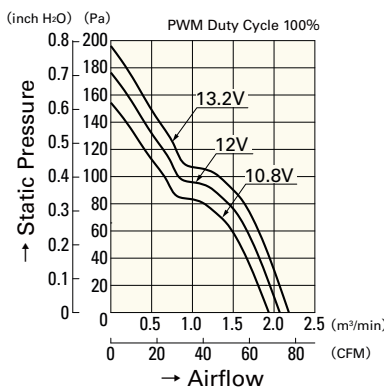


9LG0812P4G001

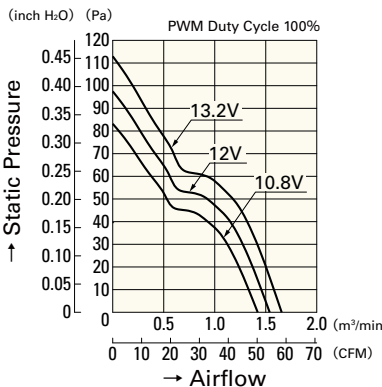


9LG0812P4H001

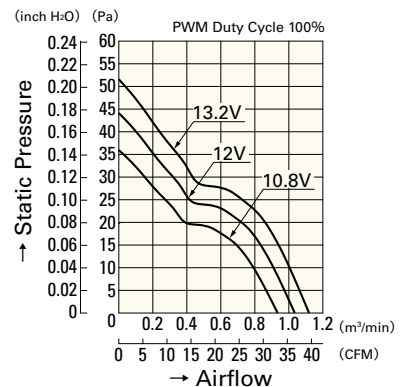
Operating Voltage Range



9LG0812P4J001

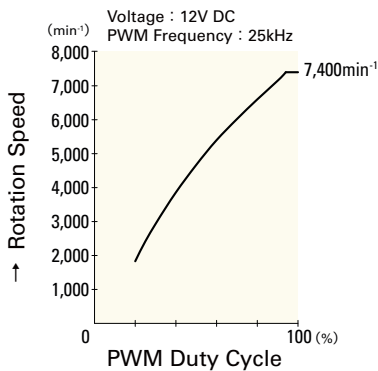


9LG0812P4G001

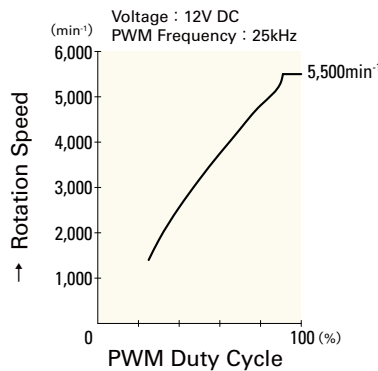


9LG0812P4H001

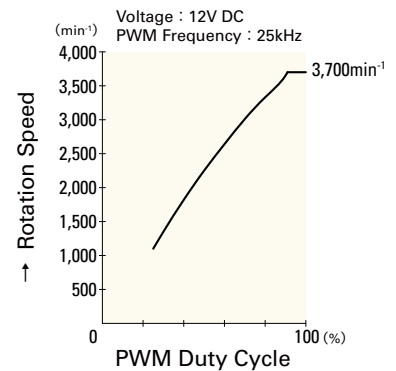
PWM Duty - Speed Characteristics Example



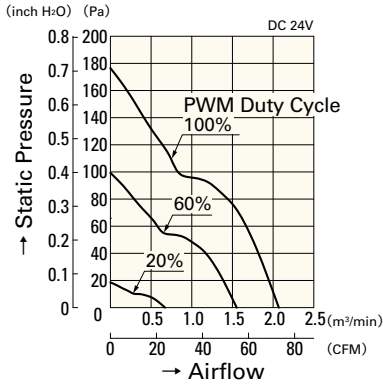
9LG0812P4J001



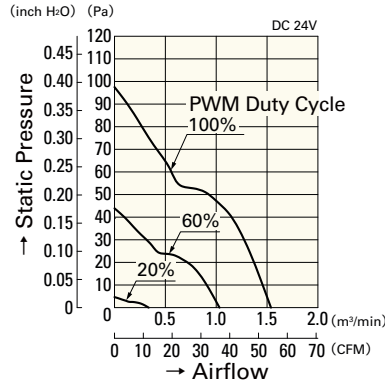
9LG0812P4G001



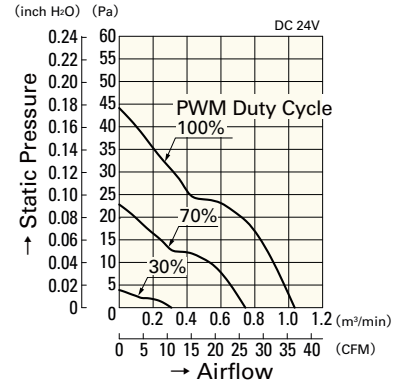
9LG0812P4H001



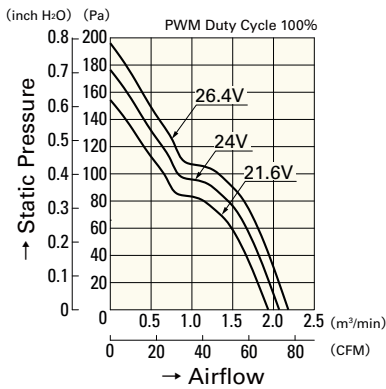
9LG0824P4J001



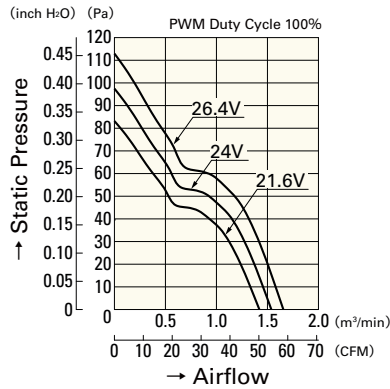
9LG0824P4G001



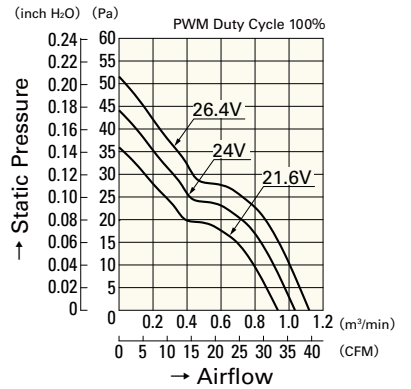
9LG0824P4H001



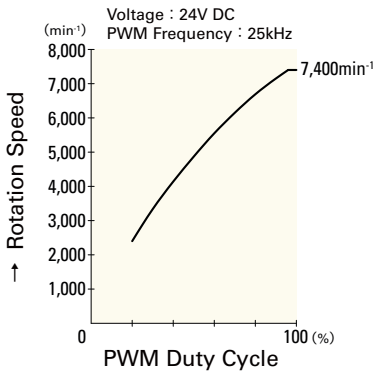
9LG0824P4J001



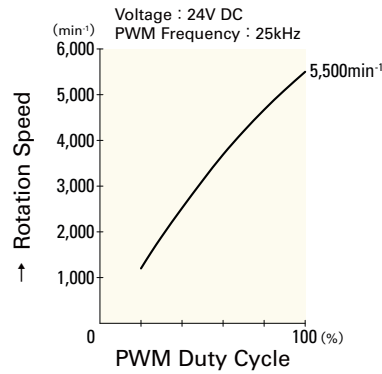
9LG0824P4G001



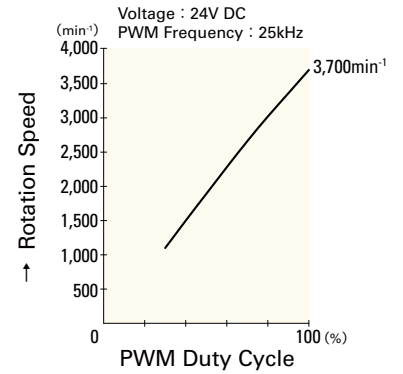
9LG0824P4H001



9LG0824P4J001



9LG0824P4G001



9LG0824P4H001

80mm sq.

San Ace 80L



General Specifications

- Material Frame: Aluminum,
Impeller: Plastics (Flammability: UL94V-1)
- Expected Life Refer to specifications (L10:Survival rate:90% at 60°C ,
rated voltage, and continuously run in a free air state)
- Lead Wire Inlet ⊕red ⊖black (Sensor) yellow (Control) brown
Outlet ⊕orange ⊖gray (Sensor) purple (Control) white
- Storage Temperature -30°C to +70°C (Non-condensing)

80×80×80mm (Mass : 490g) **9CRL type** **Counter Rotating**



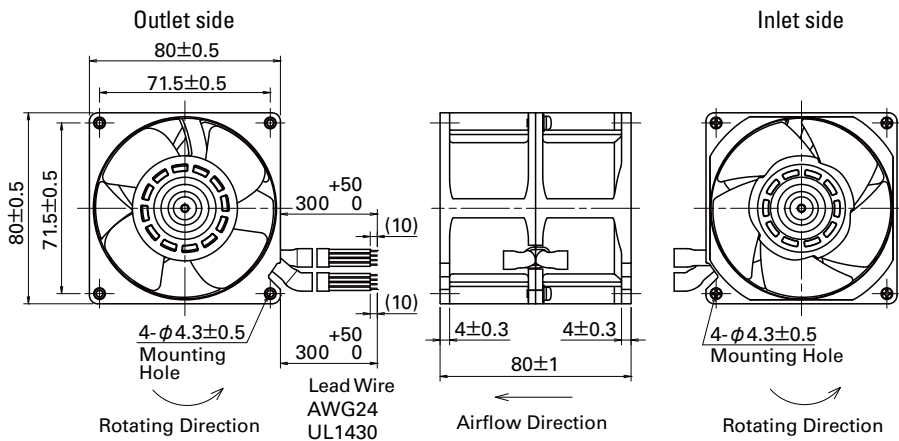
Specifications

The following nos. have PWM controls and pulse sensors.

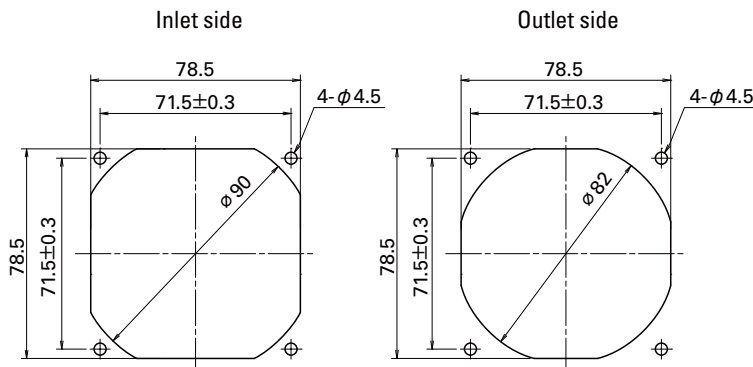
Model No.	Rated Voltage [V]	Operating Voltage Range [V]	PWM duty cycle* [%]	Rated Current [A]	Rated Input [W]	Rated Speed [min ⁻¹]		Max. Airflow [m ³ /min] [CFM]		Max. Static Pressure [Pa] [inchH ₂ O]		SPL [dB(A)]	Operating Temperature [°C]	Expected Life [h]
						Inlet	Outlet							
9CRL0812P8G001	12	10.8 to 13.2	100	5.3	63.6	12,000	11,300	4.5	158.9	1,150	4.62	76	-20 to +70	130,000/60°C
			0	0.2	2.4	2,000	1,900	0.74	26.1	31.9	0.13	30		

*PWM Frequency : 25kHz

Dimensions (unit: mm)



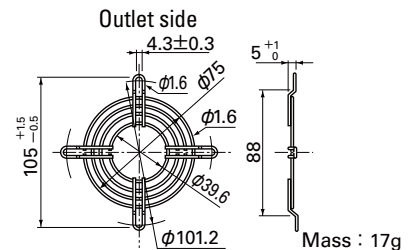
Reference Dimensions of Mounting Holes and Vent Opening (unit: mm)



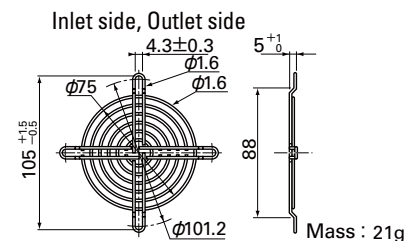
Options (unit: mm)

Finger Guards

Model : 109-049C Surface treatment : Nickel-chrome plating (silver) Color



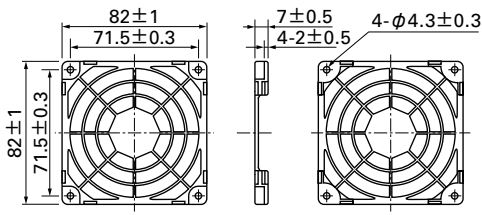
Model : 109-049E Surface treatment : Nickel-chrome plating (silver) Color
: 109-049H : Cation electropainting (black)



Options (unit: mm)

Resin Finger Guards

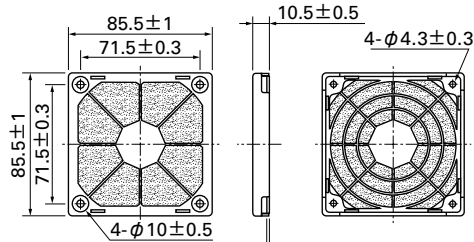
Model : 109-1002G



Mass : 10g

Resin Filter Kits

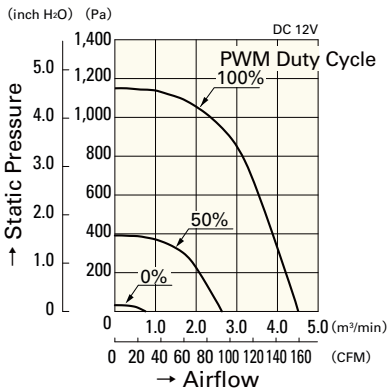
Model : 109-1002F13 (13PPI), 109-1002F20 (20PPI)
: 109-1002F30 (30PPI), 109-1002F40 (40PPI)



Mass : 19g

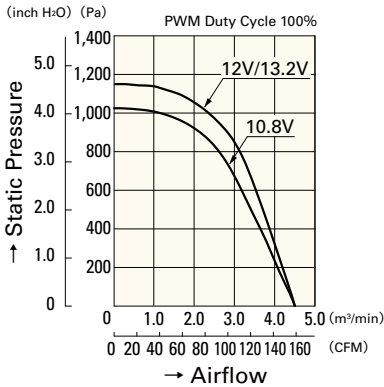
Airflow - Static Pressure Characteristics

PWM Duty Cycle



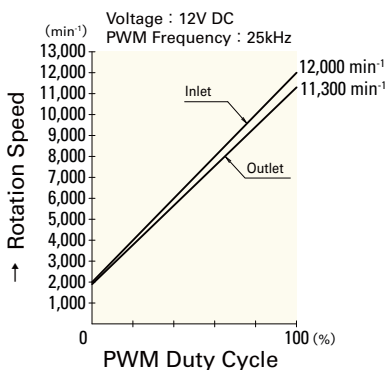
9CRL0812P8G001

Operating Voltage Range



9CRL0812P8G001

PWM Duty - Speed Characteristics Example



9CRL0812P8G001

DC
Long Life Fan 80mm

92mm sq.

San Ace 92L



General Specifications

- Material Frame: Aluminum,
Impeller: Plastics (Flammability: UL94V-1)
- Expected Life Refer to specifications (L10:Survival rate:90% at 60°C ,
rated voltage, and continuously run in a free air state)
- Lead Wire ⊕red ⊖black (Sensor) yellow (Control) brown
- Storage Temperature -30°C to +70°C (Non-condensing)

92×92×25mm (Mass : 150g) **9LG type High Airflow**

Specifications

The following nos. have PWM controls and pulse sensors.

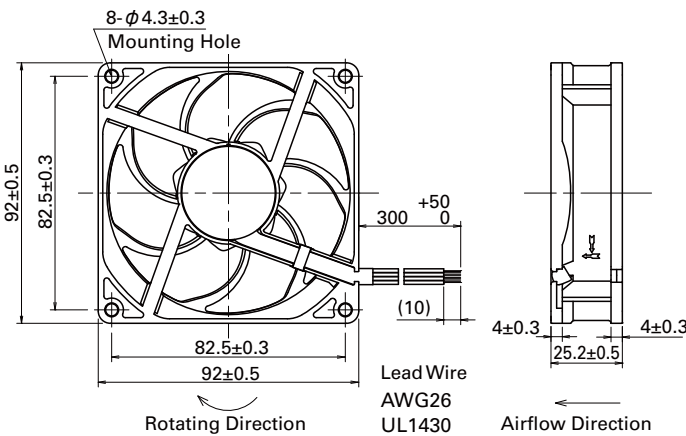
Model No.	Rated Voltage [V]	Operating Voltage Range [V]	PWM duty cycle ^{Note 1)} [%]	Rated Current [A]	Rated Input [W]	Rated Speed [min ⁻¹]	Max. Airflow [m ³ /min] [CFM]	Max. Static Pressure [Pa] [inchH ₂ O]	SPL [dB(A)]	Operating Temperature [°C]	Expected Life [h]
9LG0912P4J001	12	10.8 to 13.2	100	0.42	5.04	5,000	2.20 77.7	105 0.42	44	-20 to +70	180,000/60°C
9LG0912P4G001			100	0.30	3.60	4,400	1.93 68.2	81 0.33	40		
9LG0912P4S001			100	0.22	2.64	3,850	1.69 59.7	62.1 0.25	37		
9LG0912P4H001			100	0.15	1.80	3,150	1.38 48.7	41.6 0.17	32		
9LG0924P4J001	24	21.6 to 26.4	100	0.21	5.04	5,000	2.20 77.7	105 0.42	44		
9LG0924P4G001			100	0.15	3.60	4,400	1.93 68.2	81 0.33	40		
9LG0924P4S001			100	0.11	2.64	3,850	1.69 59.7	62.1 0.25	37		
9LG0924P4H001			100	0.07	1.68	3,150	1.38 48.7	41.6 0.17	32		

Note : Fan does not rotate when PWM duty cycle is 0%.

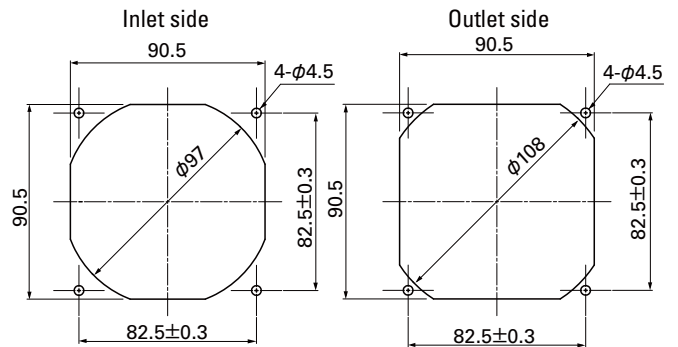
※PWM Frequency : 25kHz

Other sensor specifications are available as options. Please refer to the index (p. 509).

Dimensions (unit: mm)



Reference Dimensions of Mounting Holes and Vent Opening (unit: mm)

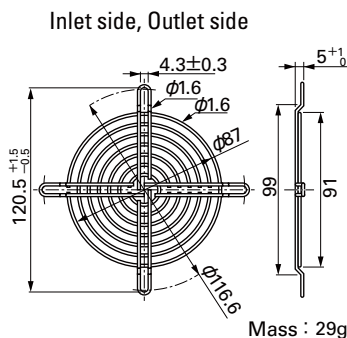
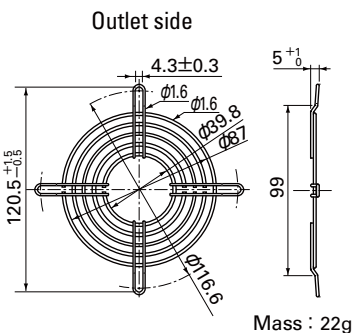


Options (unit: mm)

Finger Guards

Model : 109-099C Surface treatment : Nickel-chrome plating (silver) Color : Nickel-chrome plating (silver)

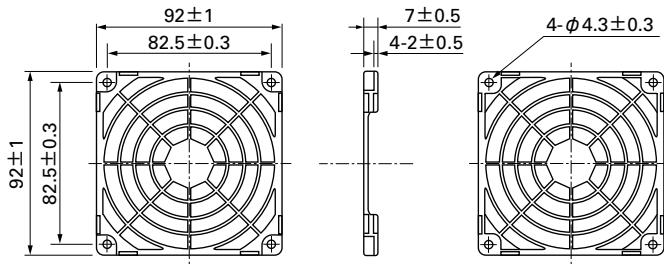
Model : 109-099E Surface treatment : Nickel-chrome plating (silver) Color : Nickel-chrome plating (silver)
: 109-099H Surface treatment : Cation electropainting (black) Color : Cation electropainting (black)



Options (unit: mm)

Resin Finger Guards

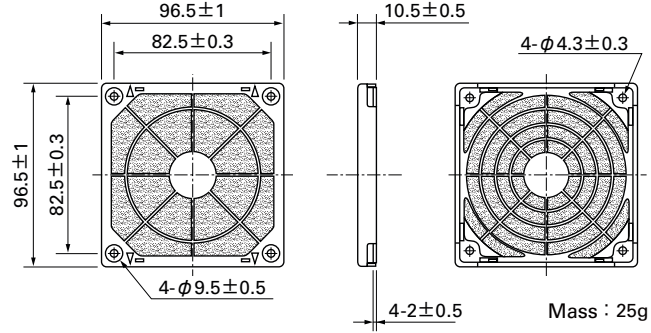
Model : 109-1001G



Mass : 12g

Resin Filter Kits

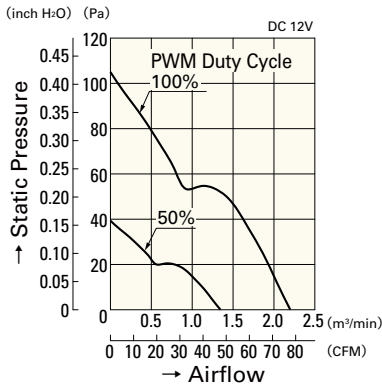
Model : 109-1001F13 (13PPI), 109-1001F20 (20PPI)
: 109-1001F30 (30PPI), 109-1001F40 (40PPI)



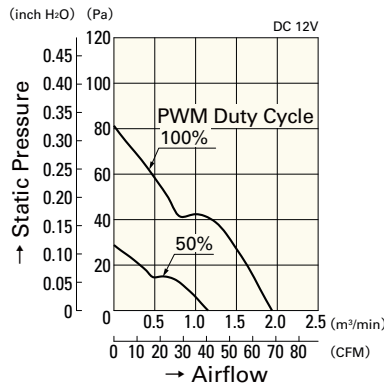
Mass : 25g

Airflow - Static Pressure Characteristics

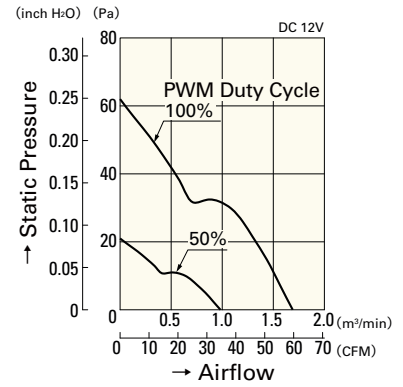
PWM Duty Cycle



9LG0912P4J001

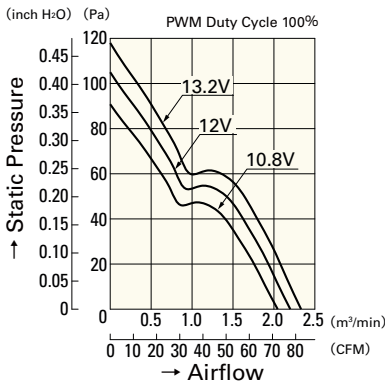


9LG0912P4G001

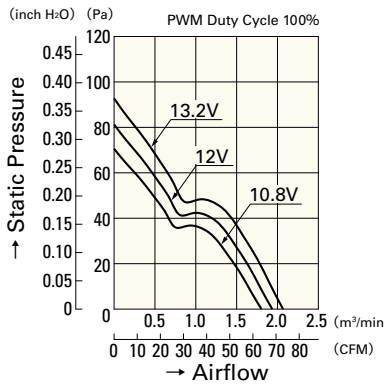


9LG0912P4S001

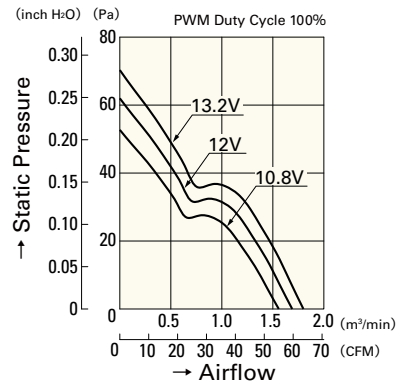
Operating Voltage Range



9LG0912P4J001

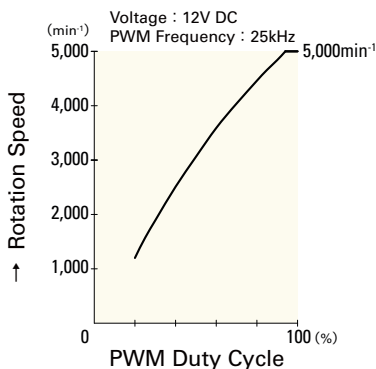


9LG0912P4G001

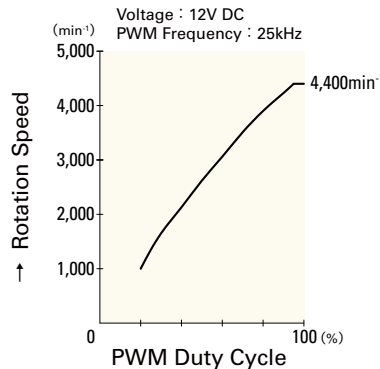


9LG0912P4S001

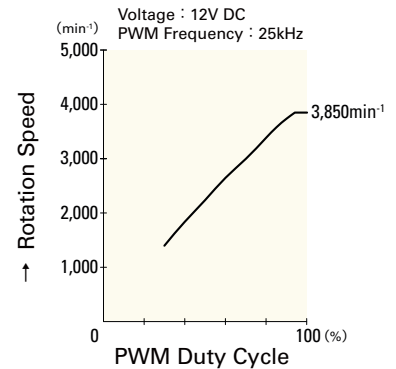
PWM Duty - Speed Characteristics Example



9LG0912P4J001



9LG0912P4G001



9LG0912P4S001

DC
Long Life Fan 92mm

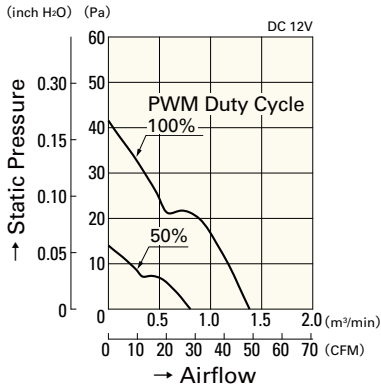
92mm sq.

San Ace 92L

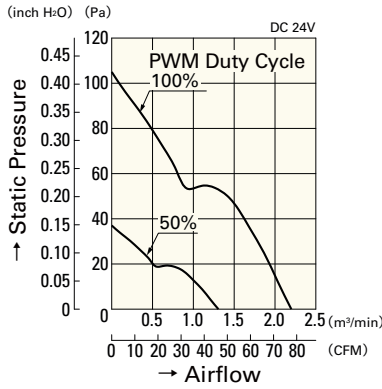
92×92×25mm [Mass : 150g]

Airflow - Static Pressure Characteristics

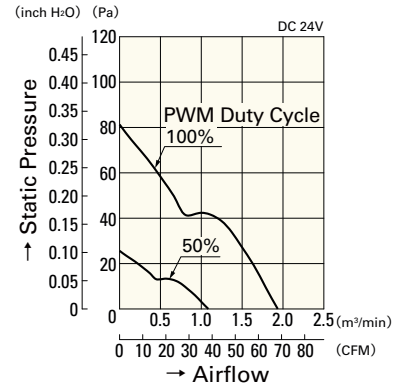
PWM Duty Cycle



9LG0912P4H001

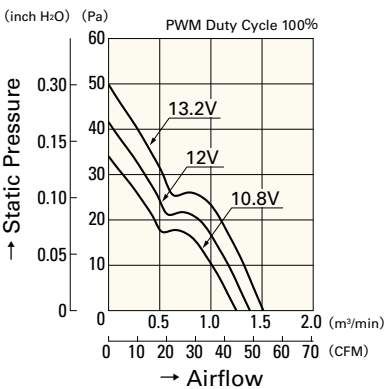


9LG0924P4J001

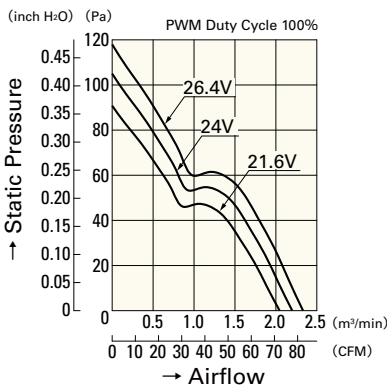


9LG0924P4G001

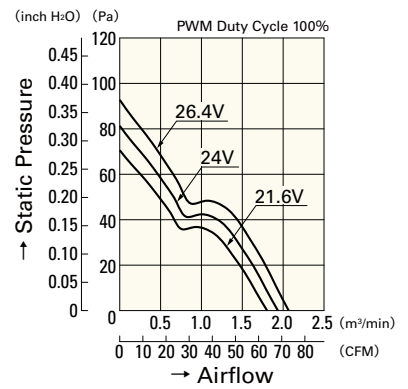
Operating Voltage Range



9LG0912P4H001

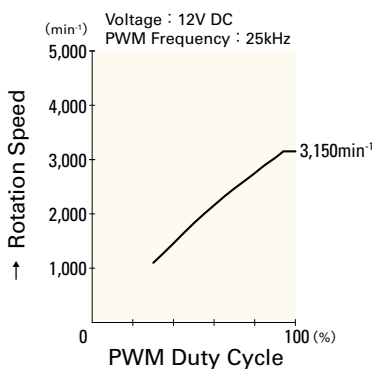


9LG0924P4J001

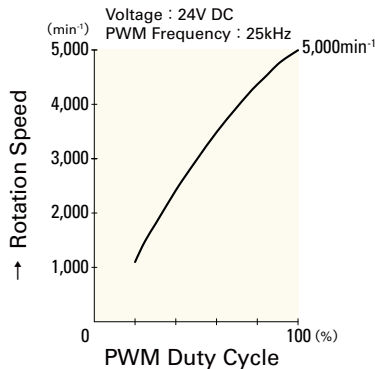


9LG0924P4G001

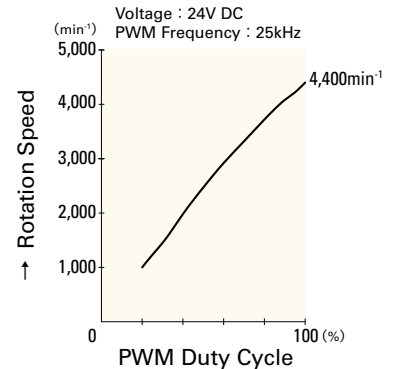
PWM Duty - Speed Characteristics Example



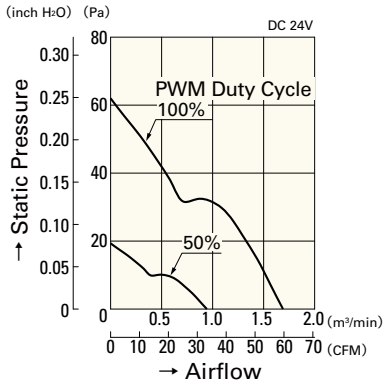
9LG0912P4H001



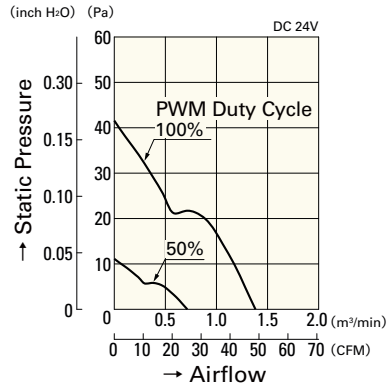
9LG0924P4J001



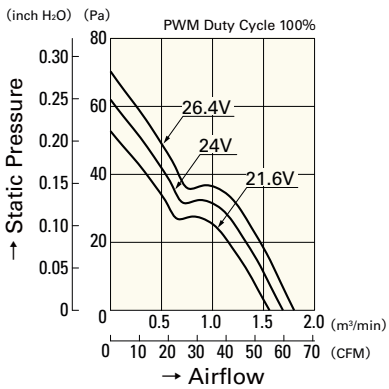
9LG0924P4G001



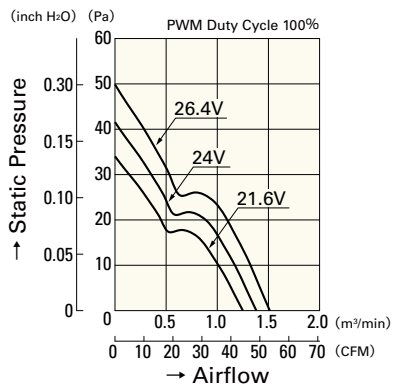
9LG0924P4S001



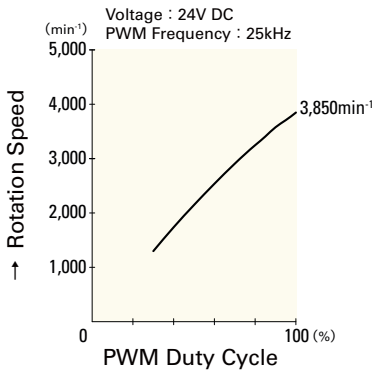
9LG0924P4H001



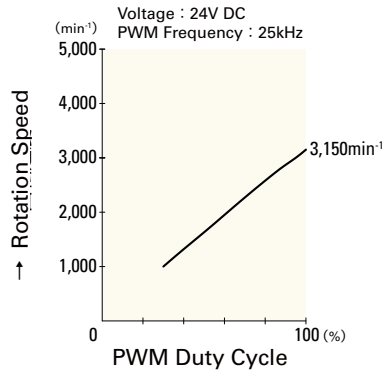
9LG0924P4S001



9LG0924P4H001



9LG0924P4S001



9LG0924P4H001

92mm sq.

San Ace 92L



General Specifications

- Material Frame: Aluminum,
Impeller: Plastics (Flammability: UL94V-1)
- Expected Life Refer to specifications (L10:Survival rate:90% at 60°C ,
rated voltage, and continuously run in a free air state)
- Lead Wire ⊕red ⊖black (Sensor) yellow (Control) brown
- Storage Temperature -30°C to +70°C (Non-condensing)

92×92×38mm (Mass : 270g) **9LG type High Airflow**

Specifications

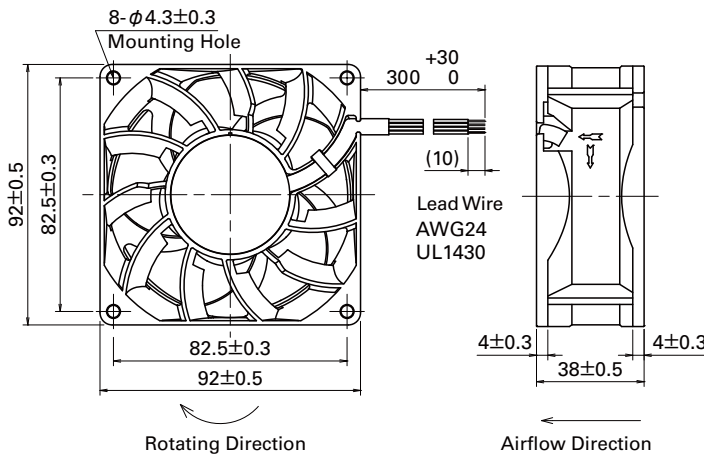
The following nos. have PWM controls and pulse sensors.

Model No.	Rated Voltage [V]	Operating Voltage Range [V]	PWM duty cycle ^{Note)} [%]	Rated Current [A]	Rated Input [W]	Rated Speed [min ⁻¹]	Max. Airflow [m ³ /min] [CFM]	Max. Static Pressure [Pa] [inchH ₂ O]	SPL [dB(A)]	Operating Temperature [°C]	Expected Life [h]
9LG0912P1H001	12	10.2 to 13.8	100	2.0	24.0	9,000	3.70 130.6	430 1.72	61	-20 to +70	180,000/60°C
			20	0.18	2.16	2,700	1.11 39.1	38.7 0.15	30		
9LG0912P1F001			100	1.0	12.0	7,000	2.90 102.4	263 1.05	55		
			20	0.11	1.32	2,000	0.83 29.3	21.5 0.08	22		
9LG0924P1H001	24	20.4 to 27.6	100	0.9	21.6	9,000	3.70 130.6	430 1.72	61		
			20	0.08	1.92	2,700	1.11 39.1	38.7 0.15	30		
9LG0924P1F001			100	0.5	12.0	7,000	2.90 102.4	263 1.05	55		
			20	0.06	1.44	2,000	0.83 29.3	21.5 0.08	22		

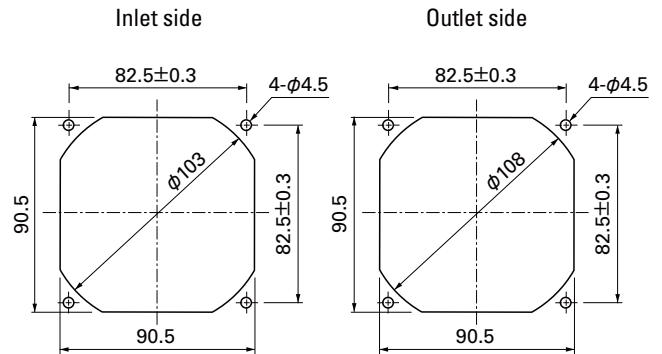
Note : Fan does not rotate when PWM duty cycle is 0%.

※PWM Frequency : 25kHz

Dimensions (unit: mm)



Reference Dimensions of Mounting Holes and Vent Opening (unit: mm)

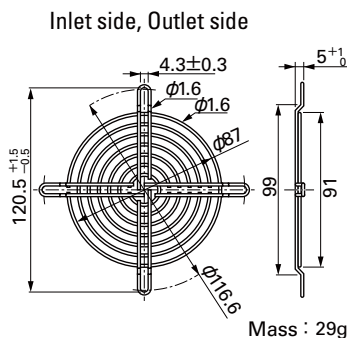
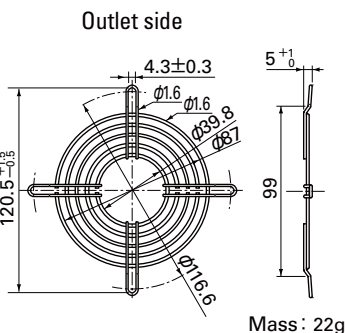


Options (unit: mm)

Finger Guards

Model : 109-099C Surface treatment : Nickel-chrome plating (silver) Color : Nickel-chrome plating (silver)

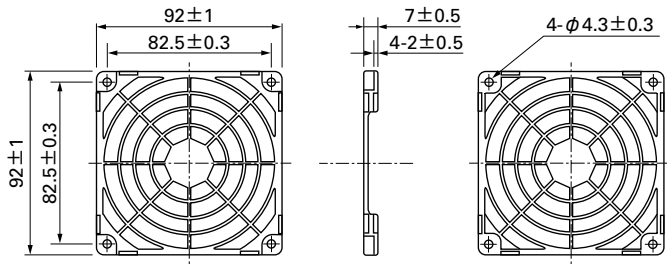
Model : 109-099E Surface treatment : Nickel-chrome plating (silver) Color : Nickel-chrome plating (silver)
Model : 109-099H Surface treatment : Cation electropainting (black) Color : Cation electropainting (black)



Options (unit: mm)

Resin Finger Guards

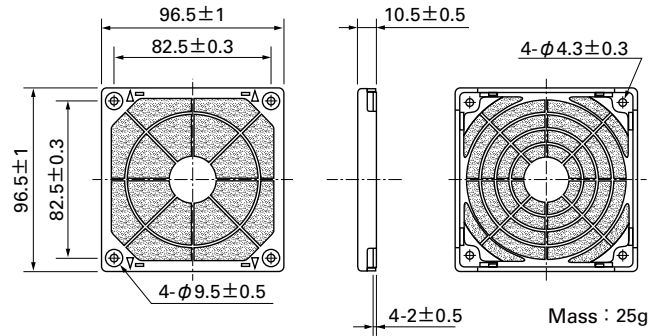
Model : 109-1001G



Mass : 12g

Resin Filter Kits

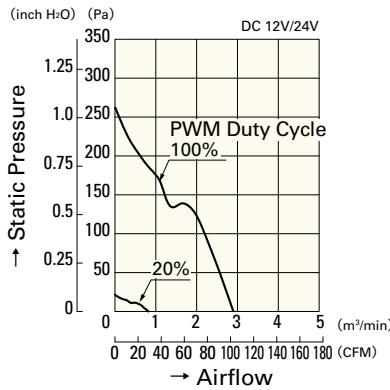
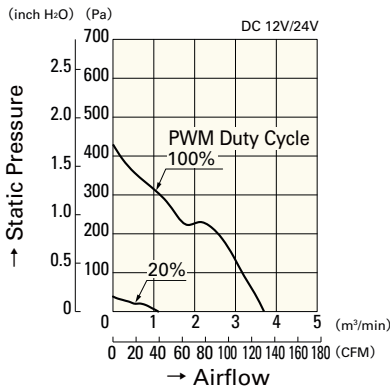
Model : 109-1001F13 (13PPI), 109-1001F20 (20PPI)
: 109-1001F30 (30PPI), 109-1001F40 (40PPI)



Mass : 25g

Airflow - Static Pressure Characteristics

PWM Duty Cycle



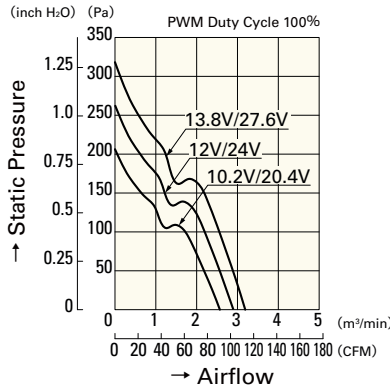
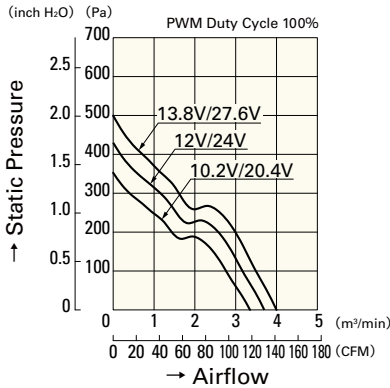
9LG0912P1H001

9LG0924P1H001

9LG0912P1F001

9LG0924P1F001

Operating Voltage Range



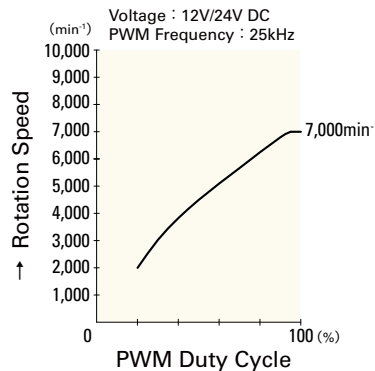
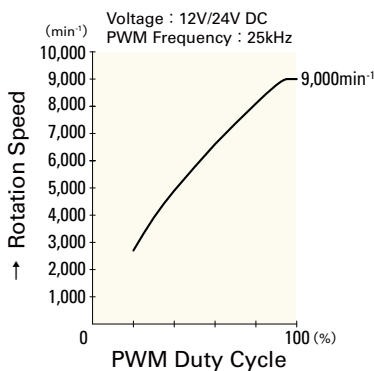
9LG0912P1H001

9LG0924P1H001

9LG0912P1F001

9LG0924P1F001

PWM Duty - Speed Characteristics Example



9LG0912P1H001

9LG0924P1H001

9LG0912P1F001

9LG0924P1F001

DC
Long Life Fan 92mm

120mm sq.

San Ace 120L



General Specifications

- Material Frame: Aluminum,
Impeller: Plastics (Flammability: UL94V-1)
- Expected Life Refer to specifications (L10:Survival rate:90% at 60°C ,
rated voltage, and continuously run in a free air state)
- Lead Wire ⊕red ⊖black (Sensor) yellow (Control) brown
- Storage Temperature -30°C to +70°C (Non-condensing)

120×120×38mm [Mass : 420g] **9LG type** **High Airflow**



Specifications

The following nos. have PWM controls and pulse sensors.

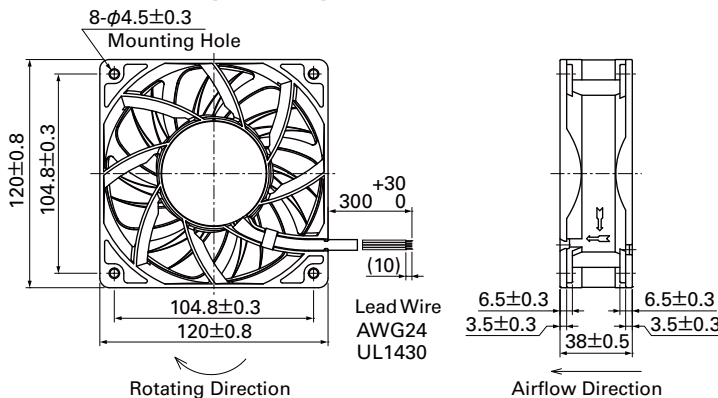
Model No.	Rated Voltage [V]	Operating Voltage Range [V]	PWM duty cycle ^{Model #} [%]	Rated Current [A]	Rated Input [W]	Rated Speed [min ⁻¹]	Max. Airflow [m ³ /min] [CFM]	Max. Static Pressure [Pa] [inchH ₂ O]	SPL [dB(A)]	Operating Temperature [°C]	Expected Life [h]
9LG1212P1G001	12	8.0 to 13.8	100	3.2	38.4	6,550	7.00 247.1	370 1.48	62	-20 to +70	180,000/60°C
			20	0.24	2.88	2,000	2.13 75.2	34.4 0.13	36		
9LG1212P1S001			100	2.2	26.4	5,600	6.00 211.8	270 1.08	58		
			20	0.24	2.88	2,000	2.13 75.2	34.4 0.13	36		
9LG1212P1H001			100	1.4	16.8	4,700	5.00 176.5	190 0.76	54		
			20	0.24	2.88	2,000	2.13 75.2	34.4 0.13	36		
9LG1224P1G001	24	15 to 30	100	1.6	38.4	6,550	7.00 247.1	370 1.48	62		
			20	0.12	2.88	2,000	2.13 75.2	34.4 0.13	36		
9LG1224P1S001			100	1.1	26.4	5,600	6.00 211.8	270 1.08	58		
			20	0.12	2.88	2,000	2.13 75.2	34.4 0.13	36		
9LG1224P1H001			100	0.7	16.8	4,700	5.00 176.5	190 0.76	54		
			20	0.12	2.88	2,000	2.13 75.2	34.4 0.13	36		
9LG1248P1G001	48	36 to 60	100	0.8	38.4	6,550	7.00 247.1	370 1.48	62		
			20	0.08	3.84	2,000	2.13 75.2	34.4 0.13	36		
9LG1248P1S001			100	0.55	26.4	5,600	6.00 211.8	270 1.08	58		
			20	0.08	3.84	2,000	2.13 75.2	34.4 0.13	36		
9LG1248P1H001			100	0.35	16.8	4,700	5.00 176.5	190 0.76	54		
			20	0.08	3.84	2,000	2.13 75.2	34.4 0.13	36		

Note : Fan does not rotate when PWM duty cycle is 0%.

*PWM Frequency : 25kHz

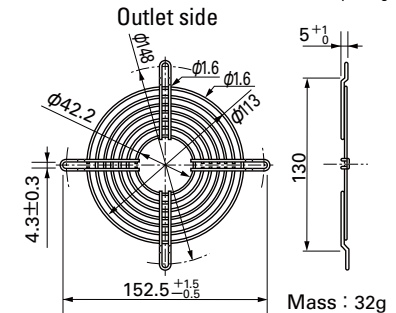
Other sensor specifications are available as options. Please refer to the index (p. 509).

Dimensions (unit: mm)

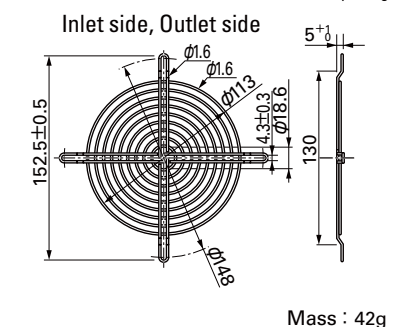


Options (unit: mm)

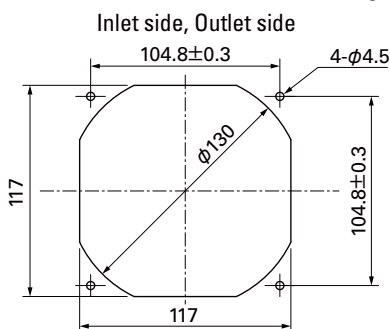
Finger Guards
 Model : 109-019C Surface treatment : Nickel-chrome plating (silver) Color
 : 109-019H : Cation electropainting (black)



Model : 109-019E Surface treatment : Nickel-chrome plating (silver) Color
 : 109-019K : Cation electropainting (black)



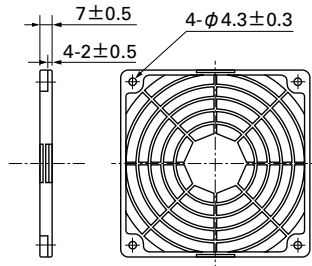
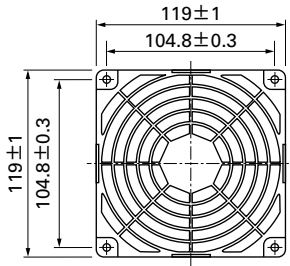
Reference Dimensions of Mounting Holes and Vent Opening (unit: mm)



Options (unit: mm)

Resin Finger Guards

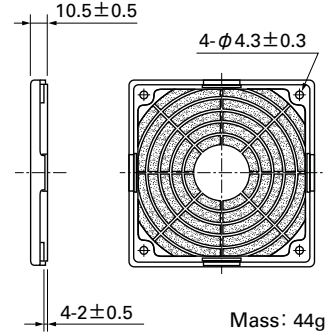
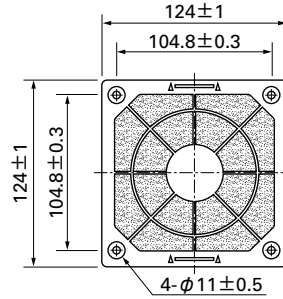
Model : 109-1000G



Mass : 23g

Resin Filter Kits

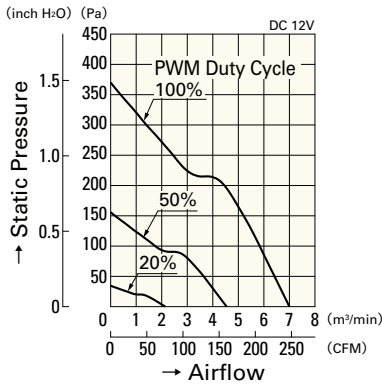
Model : 109-1000F13 (13PPI), 109-1000F20 (20PPI)
: 109-1000F30 (30PPI), 109-1000F40 (40PPI)



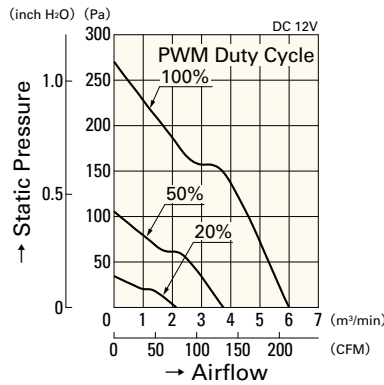
Mass : 44g

Airflow - Static Pressure Characteristics

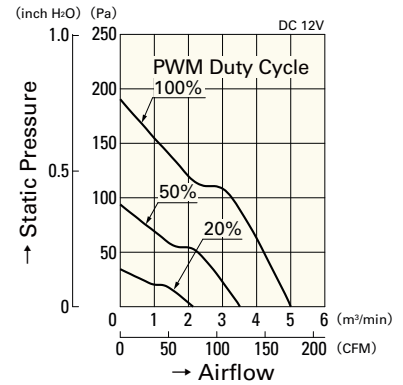
PWM Duty Cycle



9LG1212P1G001

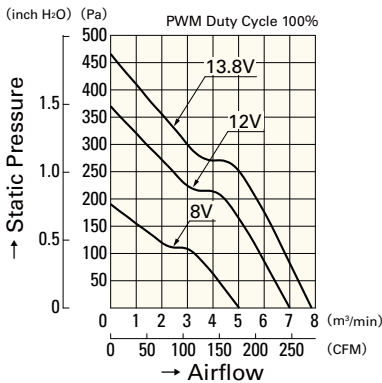


9LG1212P1S001

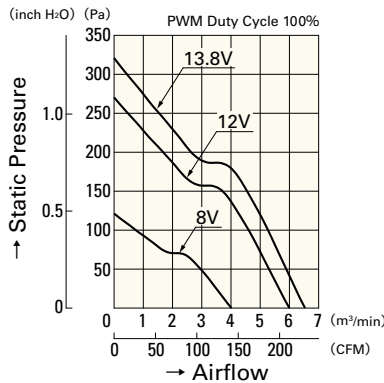


9LG1212P1H001

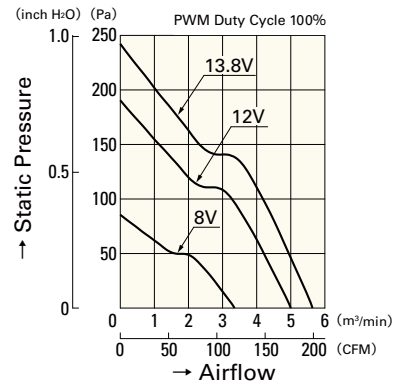
Operating Voltage Range



9LG1212P1G001

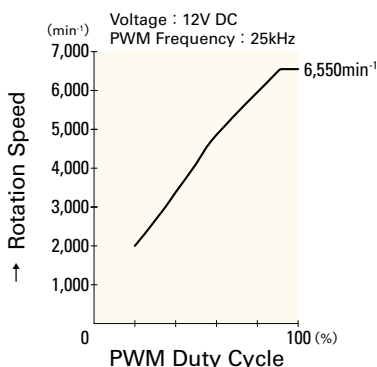


9LG1212P1S001

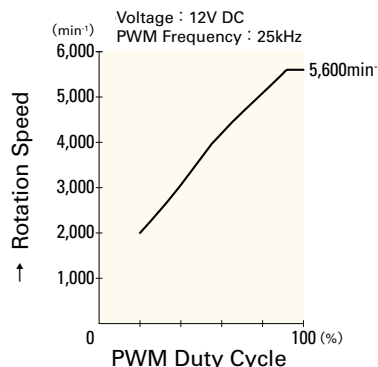


9LG1212P1H001

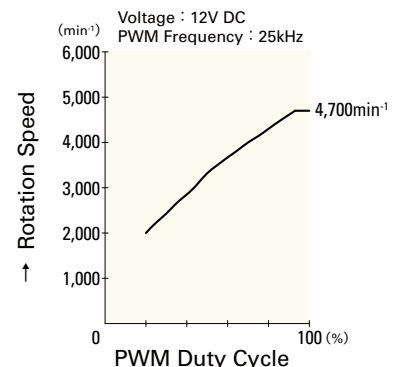
PWM Duty - Speed Characteristics Example



9LG1212P1G001



9LG1212P1S001



9LG1212P1H001

DC
Long Life Fan 120mm

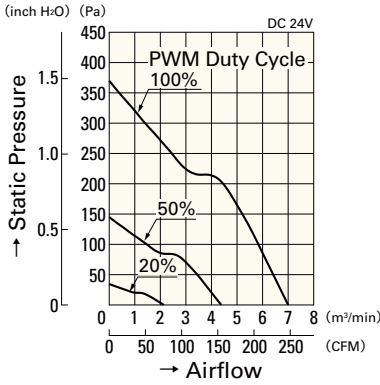
120mm sq.

San Ace 120L

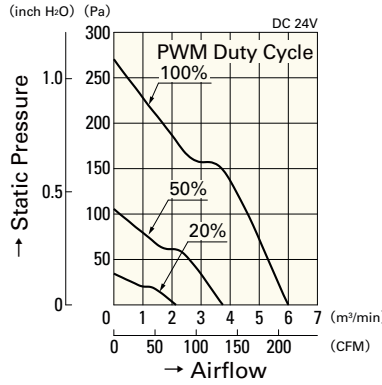
120×120×38mm [Mass : 420g]

Airflow - Static Pressure Characteristics

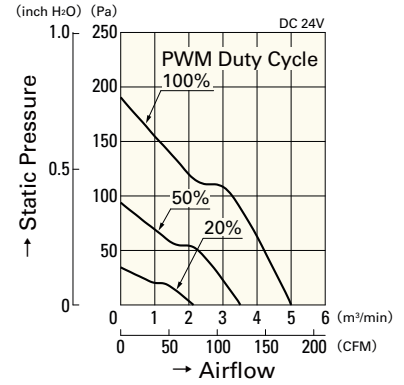
PWM Duty Cycle



9LG1224P1G001

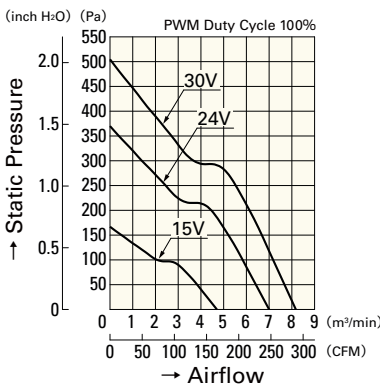


9LG1224P1S001

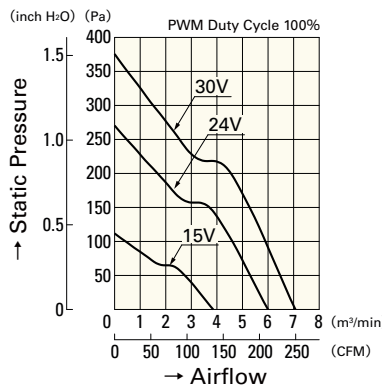


9LG1224P1H001

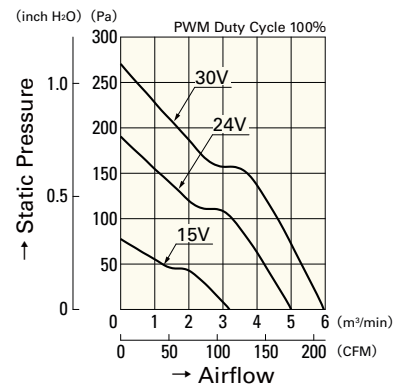
Operating Voltage Range



9LG1224P1G001

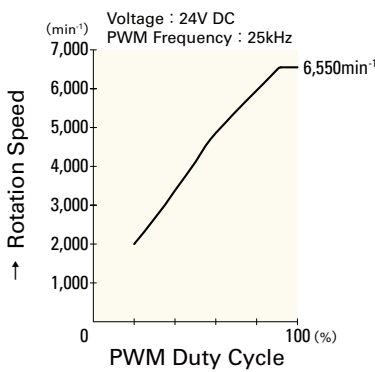


9LG1224P1S001

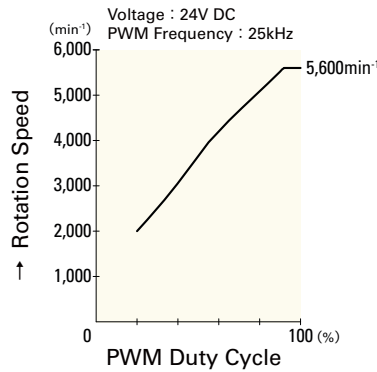


9LG1224P1H001

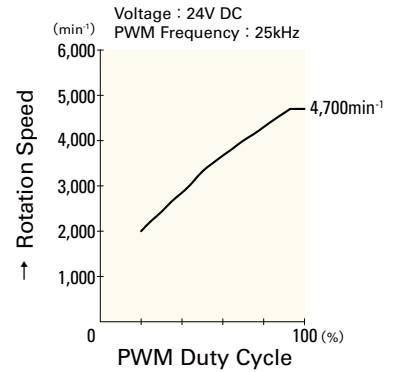
PWM Duty - Speed Characteristics Example



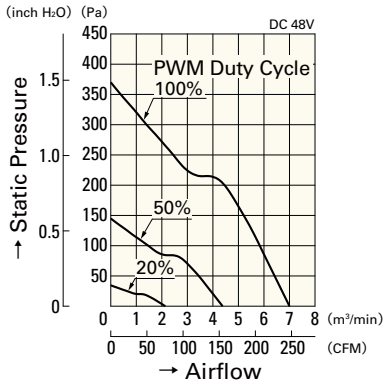
9LG1224P1G001



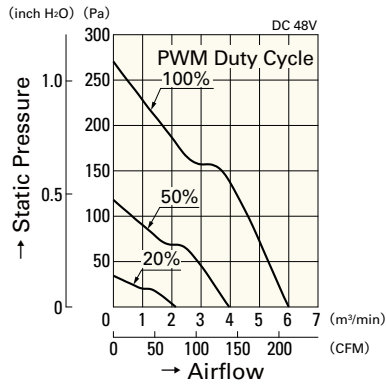
9LG1224P1S001



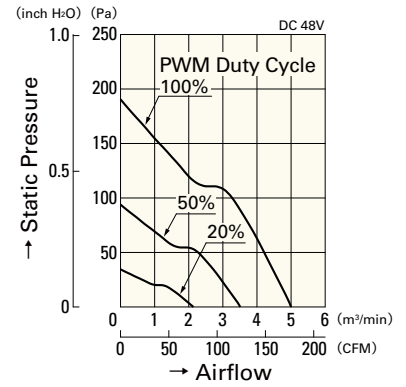
9LG1224P1H001



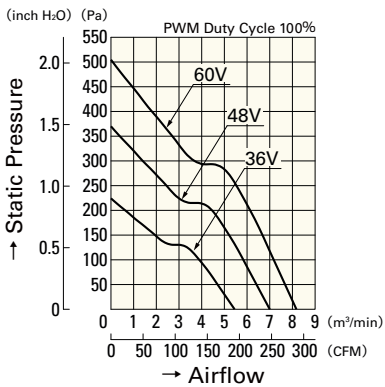
9LG1248P1G001



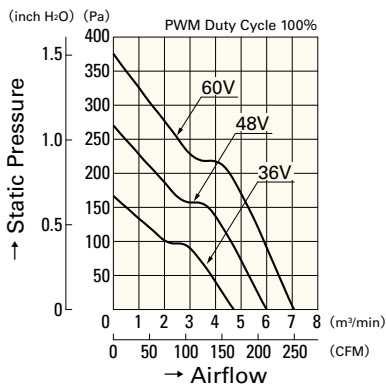
9LG1248P1S001



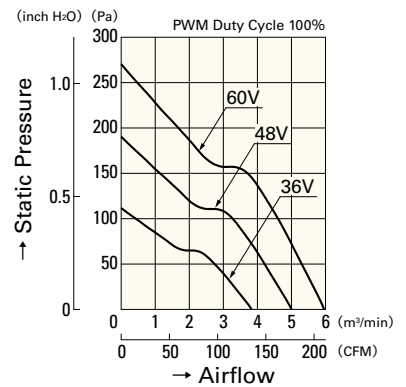
9LG1248P1H001



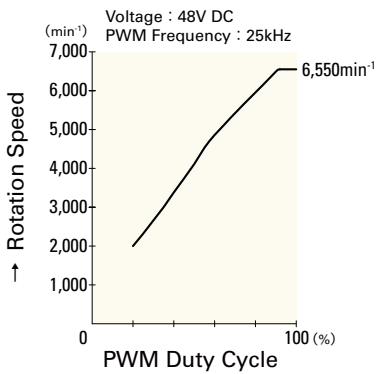
9LG1248P1G001



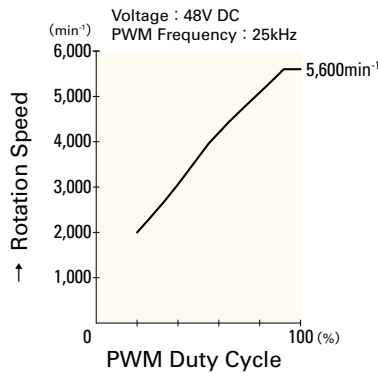
9LG1248P1S001



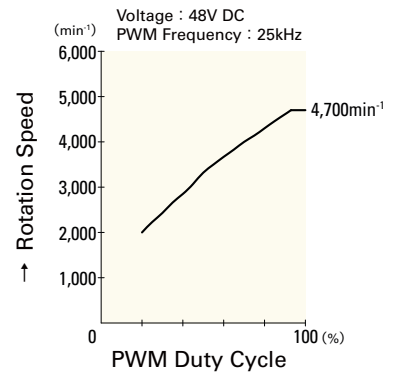
9LG1248P1H001



9LG1248P1G001



9LG1248P1S001



9LG1248P1H001

120 mm sq.

San Ace 120L



General Specifications

- Material Frame: Aluminum,
Impeller: Plastics (Flammability: UL94V-1)
- Expected Life Refer to specifications (L10:Survival rate: 90% at 60°C ,
rated voltage, and continuously run in a free air state)
- Lead Wire ⊕red ⊖black or blue (Sensor) yellow
- Storage Temperature -30°C to +70°C (Non-condensing)

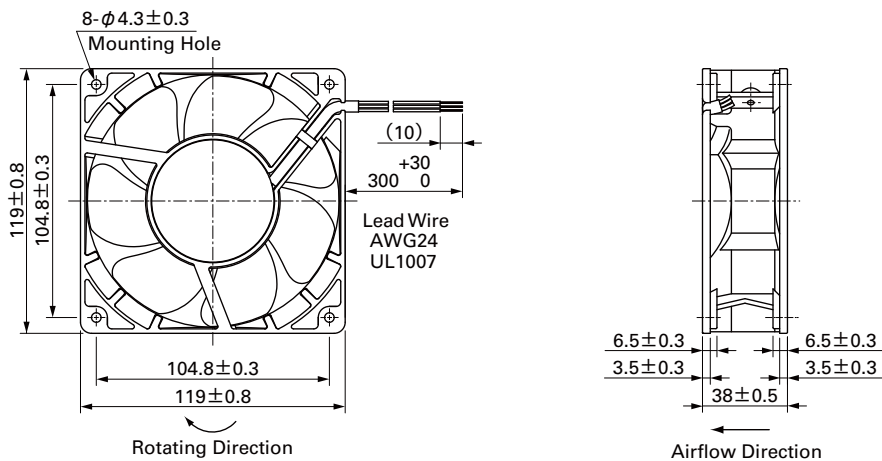
120×120×38mm (Mass : 370g) **9GL type**

Specifications The following nos. have pulse sensors.

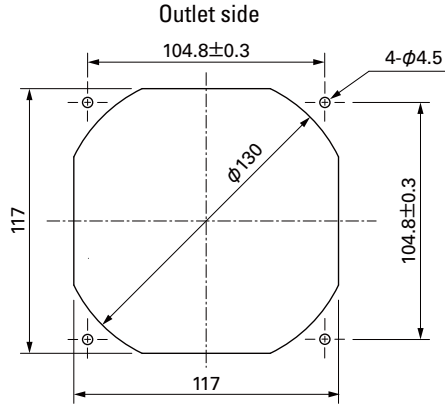
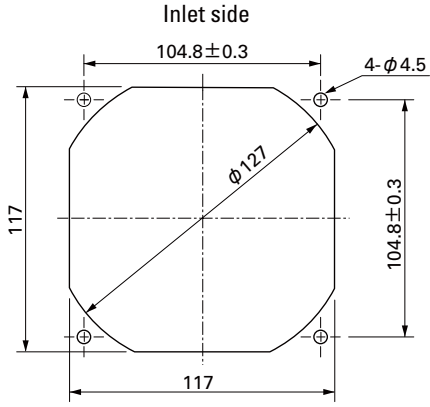
Model No.	Rated Voltage [V]	Operating Voltage Range [V]	Rated Current [A]	Rated Input [W]	Rated Speed [min ⁻¹]	Max. Airflow [m ³ /min] [CFM]	Max. Static Pressure [Pa] [inchH ₂ O]	SPL [dB(A)]	Operating Temperature [°C]	Expected Life [h]	
9GL1212G101	12	10.2 to 13.8	0.98	11.8	3,600	3.88 137	135 0.542	49	- 20 to + 70	80,000/60°C	
9GL1212E101			0.61	7.32	3,100	3.34 118	100 0.402	46		100,000/60°C	
9GL1212H101		7 to 13.8	0.38	4.56	2,600	2.80 99	70.4 0.283	39		80,000/60°C	
9GL1212F101			0.28	3.36	2,280	2.45 87	54.2 0.218	36		100,000/60°C	
9GL1212M101			0.21	2.52	1,950	2.10 74	39.6 0.159	32		80,000/60°C	
9GL1224G101	24	20.4 to 27.6	0.50	12.0	3,600	3.88 137	135 0.542	49		- 20 to + 70	80,000/60°C
9GL1224E101			0.34	8.16	3,100	3.34 118	100 0.402	46			100,000/60°C
9GL1224H101		14 to 27.6	0.22	5.28	2,600	2.80 99	70.4 0.283	39			80,000/60°C
9GL1224F101			0.16	3.84	2,280	2.45 87	54.2 0.218	36			100,000/60°C
9GL1224M101			0.11	2.64	1,950	2.10 74	39.6 0.159	32			80,000/60°C
9GL1248G101	48	40.8 to 55.2	0.25	12.0	3,600	3.88 137	135 0.542	49	- 20 to + 70		80,000/60°C
9GL1248E101			0.17	8.16	3,100	3.34 118	100 0.402	46			100,000/60°C
9GL1248H101			0.11	5.28	2,600	2.80 99	70.4 0.283	39			80,000/60°C
9GL1248F101			0.09	4.32	2,280	2.45 87	54.2 0.218	36			100,000/60°C
9GL1248M101			0.07	3.36	1,950	2.10 74	39.6 0.159	32			80,000/60°C

Other sensor specifications are available as options. Please refer to the index (p. 506).

Dimensions (unit: mm)



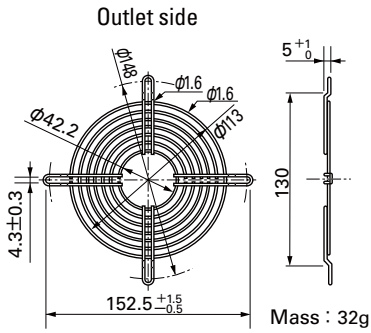
Reference Dimensions of Mounting Holes and Vent Opening (unit: mm)



Options (unit: mm)

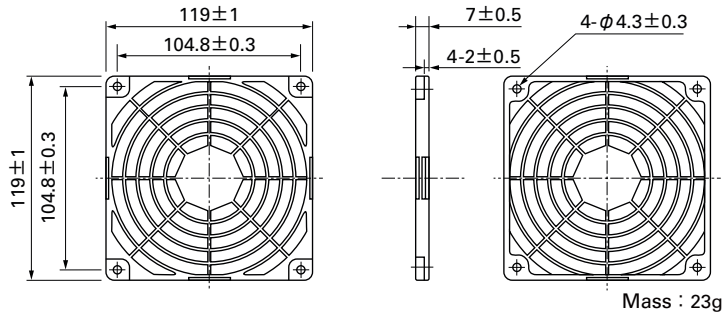
Finger Guards

Model : 109-019C Surface treatment : Nickel-chrome plating (silver) Color
 : 109-019H : Cation electropainting (black)

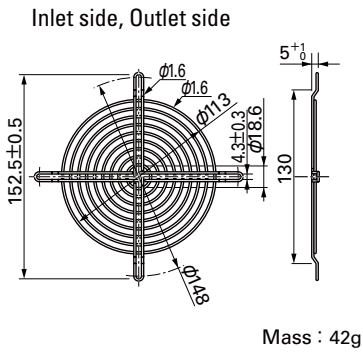


Resin Finger Guards

Model : 109-1000G

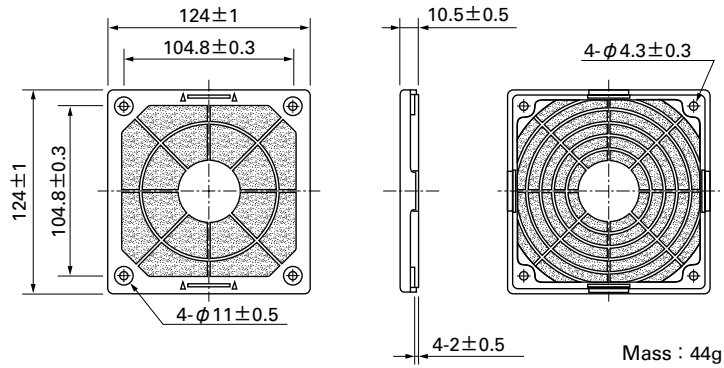


Model : 109-019E Surface treatment : Nickel-chrome plating (silver) Color
 : 109-019K : Cation electropainting (black)



Resin Filter Kits

Model : 109-1000F13 (13PPI), 109-1000F20 (20PPI)
 : 109-1000F30 (30PPI), 109-1000F40 (40PPI)

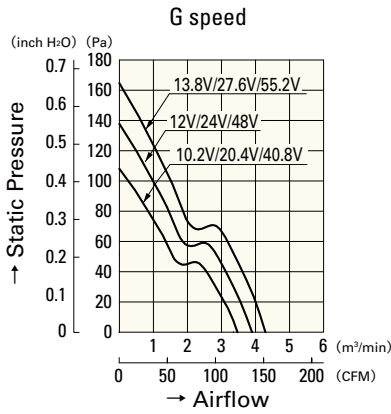


120 mm sq.

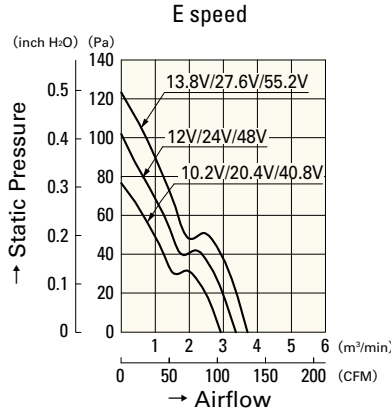
San Ace 120L

120×120×38mm (Mass : 370g)

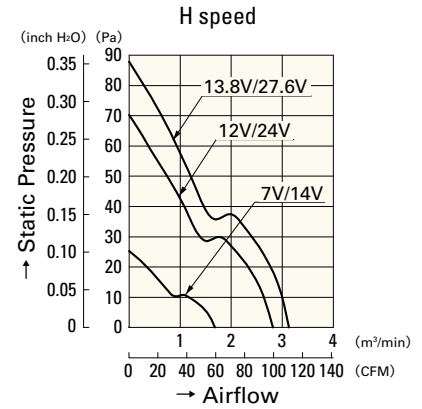
Airflow - Static Pressure Characteristics



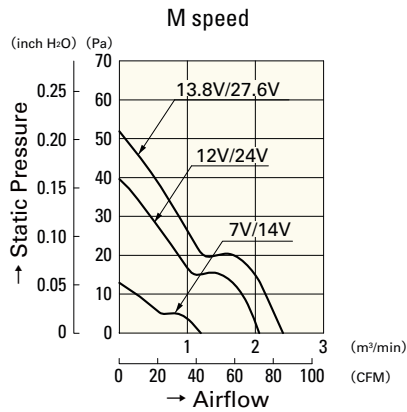
9GL1212G101
9GL1224G101
9GL1248G101



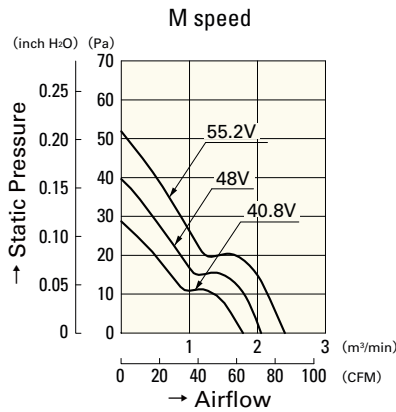
9GL1212E101
9GL1224E101
9GL1248E101



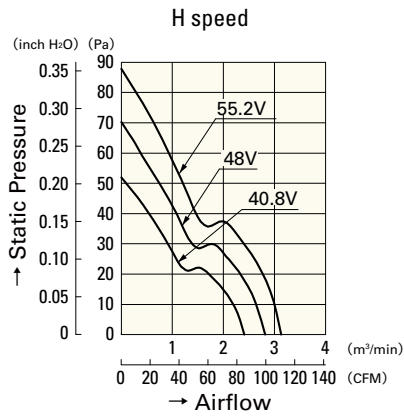
9GL1212H101
9GL1224H101



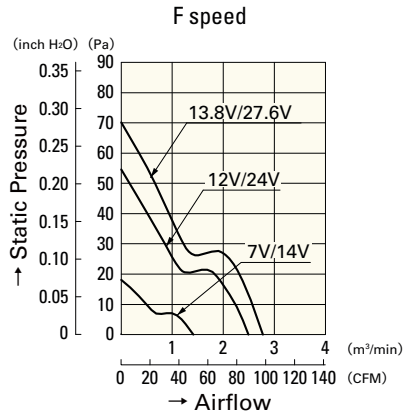
9GL1212M101
9GL1224M101



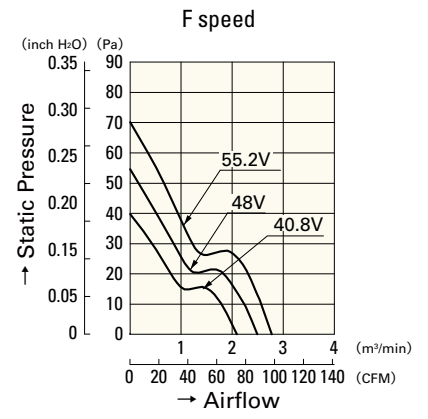
9GL1248M101



9GL1248H101



9GL1212F101
9GL1224F101



9GL1248F101

140mm sq.

San Ace 140L



General Specifications

- Material Frame: Aluminum, Impeller: Plastics (Flammability: UL94V-1)
- Expected Life Refer to specifications (L10:Survival rate: 90% at 60°C, rated voltage, and continuously run in a free air state)
- Lead Wire ⊕red ⊖black or blue (Sensor) yellow
- Storage Temperature -30°C to +70°C (Non-condensing)

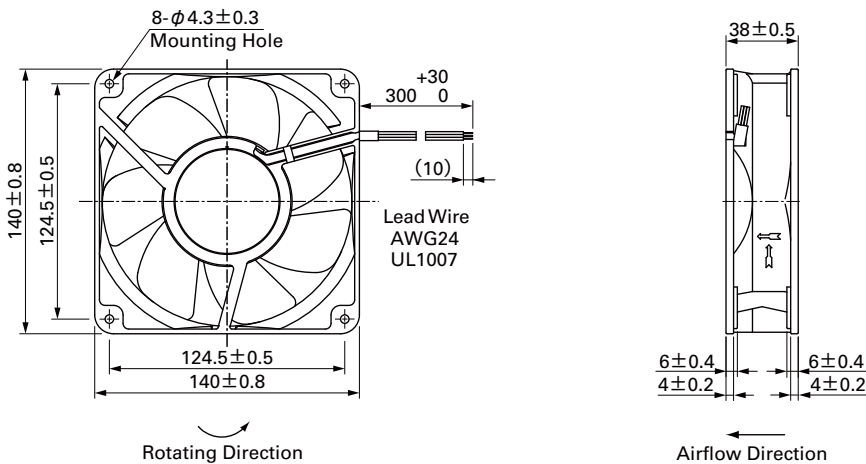
140×140×38mm (Mass : 600g) **9L type**

Specifications The following nos. have pulse sensors.

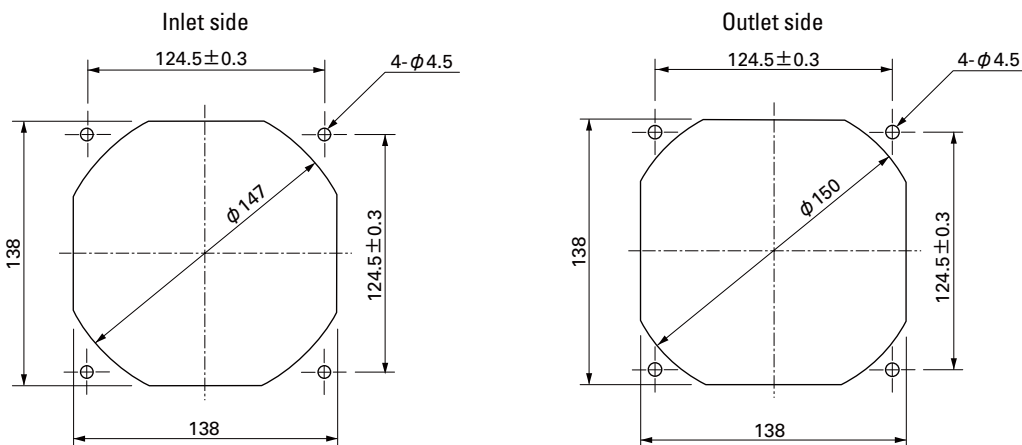
Model No.	Rated Voltage [V]	Operating Voltage Range [V]	Rated Current [A]	Rated Input [W]	Rated Speed [min ⁻¹]	Max. Airflow [m ³ /min] [CFM]	Max. Static Pressure [Pa] [inchH ₂ O]	SPL [dB(A)]	Operating Temperature [°C]	Expected Life [h]
109L1412H101	12	10.2 to 13.8	0.73	8.76	2,600	4.6 159	98 0.394	46	- 20 to + 70	100,000/60°C
109L1412M101			0.3	3.6	1,900	3.3 117	52 0.209	38		
109L1424H101	24	20.4 to 27.6	0.37	8.88	2,600	4.6 159	98 0.394	46		
109L1424M101			0.16	3.84	1,900	3.3 117	52 0.209	38		
109L1448H101	48	40.8 to 55.2	0.2	9.6	2,600	4.6 159	98 0.394	46		
109L1448M101			0.09	4.32	1,900	3.3 117	52 0.209	38		

Other sensor specifications are available as options. Please refer to the index (pp. 496).

Dimensions (unit: mm)



Reference Dimensions of Mounting Holes and Vent Opening (unit: mm)



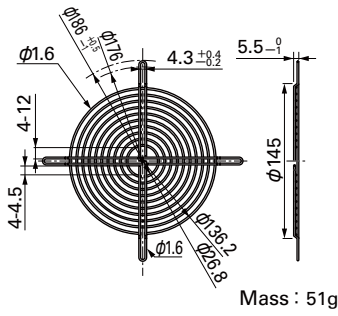
Options (unit: mm)

Finger Guards

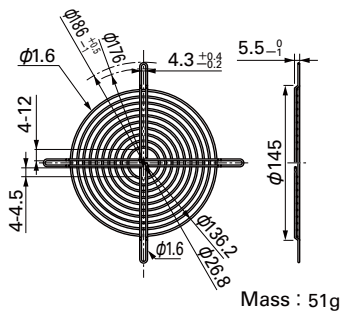
Model : 109-719 Surface treatment : Nickel-chrome plating (silver) Color

Model : 109-719H Surface treatment : Cation electropainting (black) Color

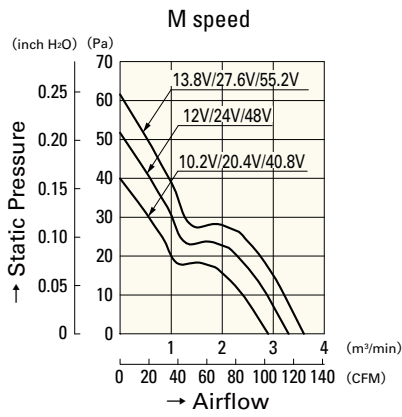
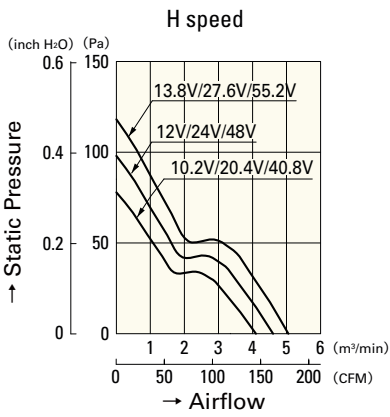
Inlet side, Outlet side



Inlet side, Outlet side



Airflow - Static Pressure Characteristics



- 109L1412H101**
- 109L1424H101**
- 109L1448H101**

- 109L1412M101**
- 109L1424M101**
- 109L1448M101**

DC
Long Life Fan 140mm

140mm sq.

San Ace 140L



Model no. 9LB1424B501, 9LB1448F501 are not certified.

General Specifications

- Material Frame: Aluminum,
Impeller: Plastics (Flammability: UL94V-1)
- Expected Life Refer to specifications (L10:Survival rate: 90% at 60°C ,
rated voltage, and continuously run in a free air state)
- Lead Wire ⊕red ⊖black or blue (Sensor) yellow
- Storage Temperature -30°C to +70°C (Non-condensing)

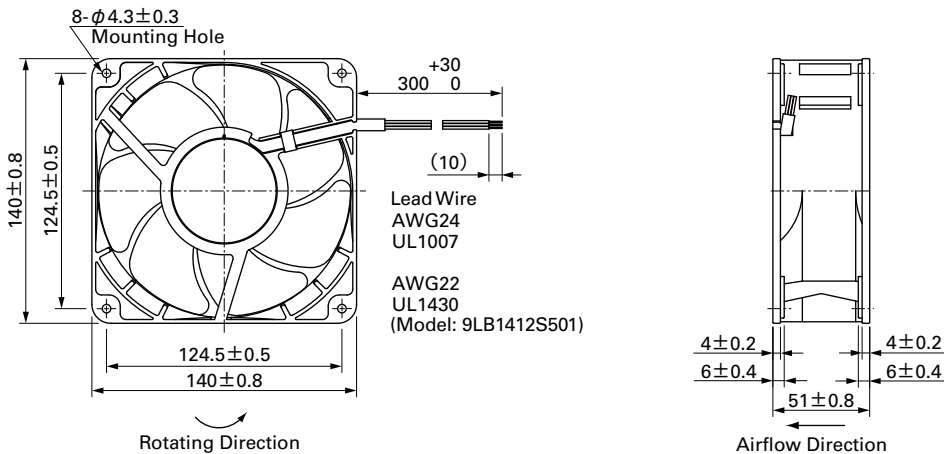
140×140×51mm [Mass : 610g] **9LB type**

Specifications The following nos. have pulse sensors.

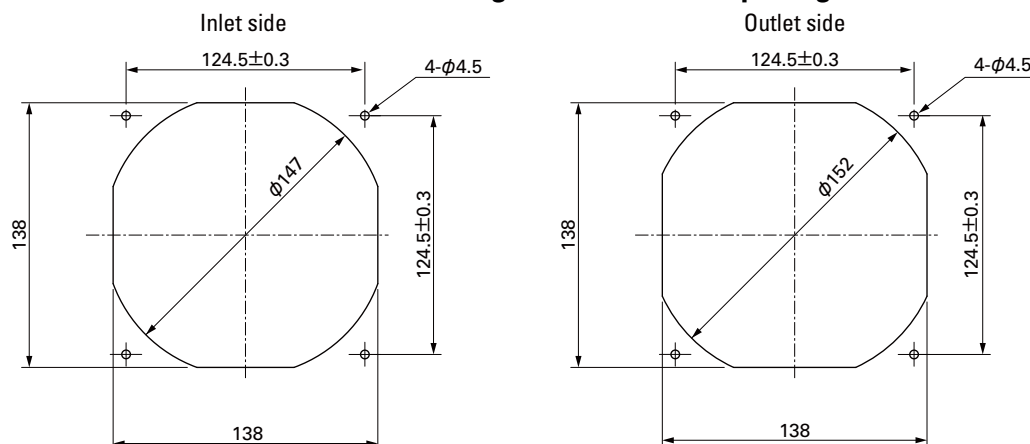
Model No.	Rated Voltage [V]	Operating Voltage Range [V]	Rated Current [A]	Rated Input [W]	Rated Speed [min ⁻¹]	Max. Airflow [m ³ /min] [CFM]	Max. Static Pressure [Pa] [inchH ₂ O]	SPL [dB(A)]	Operating Temperature [°C]	Expected Life [h]	
9LB1412S501	12	10.2 to 13.8	2.7	32.4	4,200	8.1	286.2	240 0.96	- 20 to + 70	60,000/60°C	
9LB1412H501			1.25	15.0	3,100	5.9	208.5	130 0.52		100,000/60°C	
9LB1412M501			0.46	5.52	2,050	3.9	138	63 0.25		39	
9LB1424S501	24	20.4 to 27.6	1.38	33.12	4,200	8.1	286.2	240 0.96		60,000/60°C	
9LB1424B501			0.97	23.3	3,700	7.1	251	186 0.75		55	
9LB1424H501			0.60	14.4	3,100	5.9	208.5	130 0.52		49	
9LB1424M501			0.22	5.28	2,050	3.9	138	63 0.25		39	
9LB1448S501	48	40.8 to 55.2	0.71	34.08	4,200	8.1	286.2	240 0.96		57	60,000/60°C
9LB1448H501			0.27	12.96	3,100	5.9	208.5	130 0.52		49	
9LB1448F501			0.18	8.6	2,550	4.8	169	91 0.37		44	100,000/60°C
9LB1448M501			0.12	5.76	2,050	3.9	138	63 0.25	39		

Other sensor specifications are available as options. Please refer to the index (p. 509).

Dimensions (unit: mm)



Reference Dimensions of Mounting Holes and Vent Opening (unit: mm)



φ172mm

San Ace 172L



General Specifications

- Material Frame: Aluminum,
Impeller: Plastics (Flammability: UL94V-1)
- Expected Life Refer to specifications (L10:Survival rate: 90% at 60°C ,
rated voltage, and continuously run in a free air state)
- Lead Wire ⊕red ⊖black or blue (Sensor) yellow
- Storage Temperature -30°C to +70°C (Non-condensing)

φ172mm × 150mm × 51mm (Mass : 760g) **9L type** **Sidecut type**

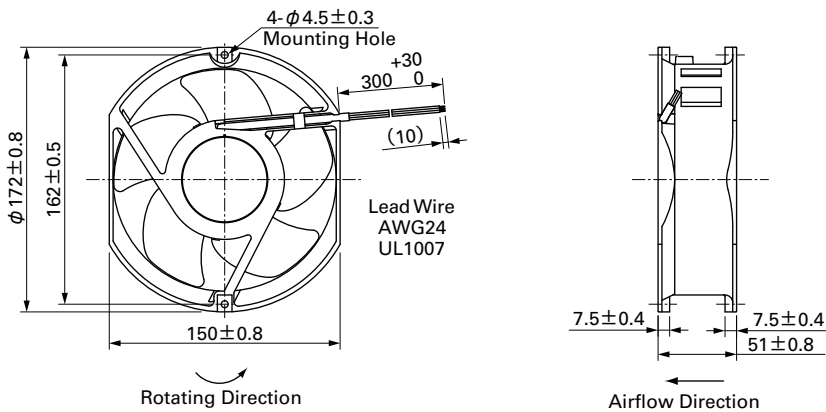
Specifications

The following nos. have pulse sensors.

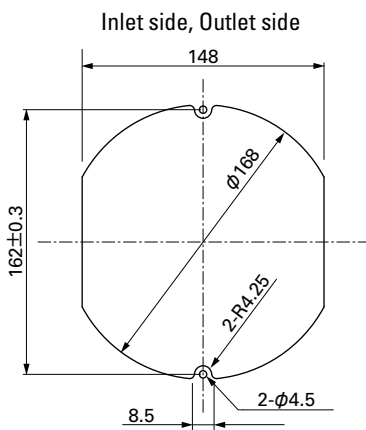
Model No.	Rated Voltage [V]	Operating Voltage Range [V]	Rated Current [A]	Rated Input [W]	Rated Speed [min ⁻¹]	Max. Airflow [m ³ /min] [CFM]	Max. Static Pressure [Pa] [inchH ₂ O]	SPL [dB(A)]	Operating Temperature [°C]	Expected Life [h]
109L5712H501	12	10.2 to 13.8	1.2	14.4	3,050	6.4 226	137.2 0.551	52	- 20 to + 70	100,000/60°C
109L5712M501			0.48	5.76	2,000	4.2 148	67.6 0.271	41		
109L5724H501	24	20.4 to 27.6	0.58	13.92	3,050	6.4 226	137.2 0.551	52		
109L5724M501			0.2	4.80	2,000	4.2 148	67.6 0.271	41		
109L5748H501	48	40.8 to 55.2	0.28	13.44	3,050	6.4 226	137.2 0.551	52		
109L5748M501			0.11	5.28	2,000	4.2 148	67.6 0.271	41		

Other sensor specifications are available as options. Please refer to the index (p. 496).

Dimensions (unit: mm)



Reference Dimensions of Mounting Holes and Vent Opening (unit: mm)



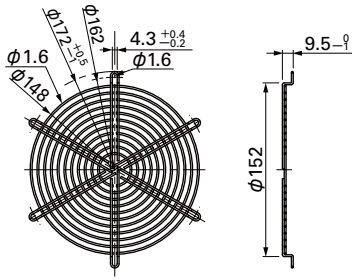
Options (unit: mm)

Finger Guards

Model : 109-319E Surface treatment : Nickel-chrome plating (silver) Color : 109-319H Cation electropainting (black)

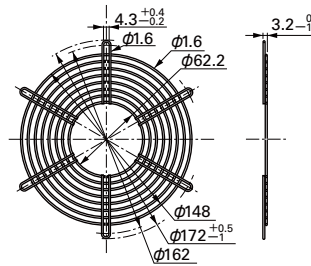
Model : 109-320 Surface treatment : Nickel-chrome plating (silver) Color

Inlet side, Outlet side



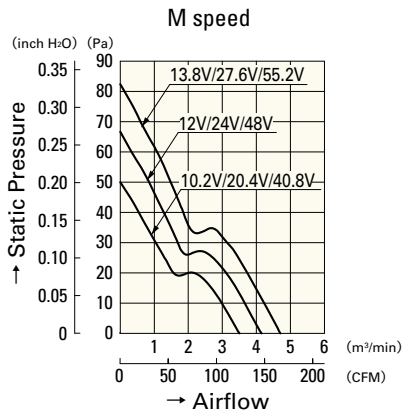
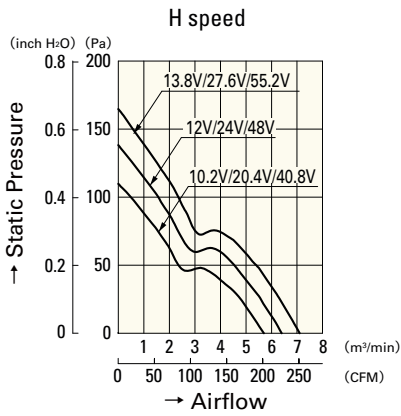
Mass : 69g

Outlet side



Mass : 53g

Airflow - Static Pressure Characteristics



109L5712H501

109L5724H501

109L5748H501

109L5712M501

109L5724M501

109L5748M501

DC
Long Life Fan 172mm

φ 172mm

San Ace 172L



General Specifications

- Material Frame: Aluminum,
Impeller: Plastics (Flammability: UL94V-1)
- Expected Life Refer to specifications (L10:Survival rate: 90% at 60°C ,
rated voltage, and continuously run in a free air state)
- Lead Wire ⊕red ⊖black or blue (Sensor) yellow
- Storage Temperature -30°C to +70°C (Non-condensing)

φ 172mm × 51mm (Mass : 780g) **9L type** **Round type**

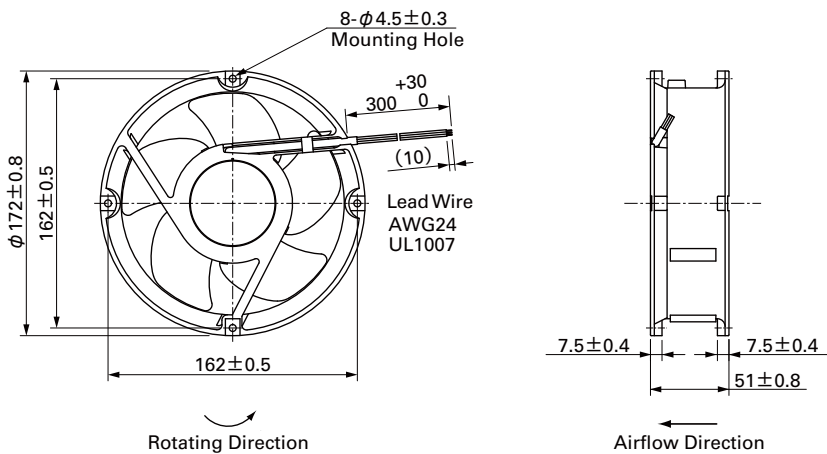
Specifications

The following nos. have pulse sensors.

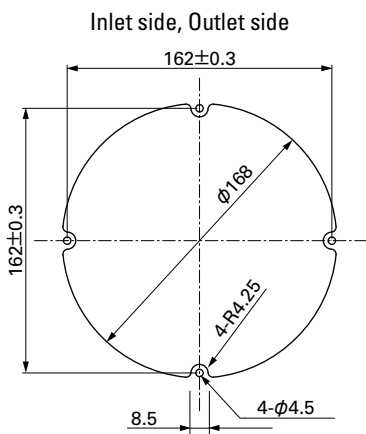
Model No.	Rated Voltage [V]	Operating Voltage Range [V]	Rated Current [A]	Rated Input [W]	Rated Speed [min ⁻¹]	Max. Airflow [m ³ /min] [CFM]	Max. Static Pressure [Pa] [inchH ₂ O]	SPL [dB(A)]	Operating Temperature [°C]	Expected Life [h]
109L1712H501	12	10.2 to 13.8	1.2	14.4	3,050	6.4 226	137.2 0.551	47	- 20 to + 70	100,000/60°C
109L1712M501			0.48	5.76	2,000	4.2 148	67.6 0.271	36		
109L1724H501	24	20.4 to 27.6	0.58	13.92	3,050	6.4 226	137.2 0.551	47		
109L1724M501			0.2	4.80	2,000	4.2 148	67.6 0.271	36		
109L1748H501	48	40.8 to 55.2	0.28	13.44	3,050	6.4 226	137.2 0.551	47		
109L1748M501			0.11	5.28	2,000	4.2 148	67.6 0.271	36		

Other sensor specifications are available as options. Please refer to the index (p. 496).

Dimensions (unit: mm)



Reference Dimensions of Mounting Holes and Vent Opening (unit: mm)



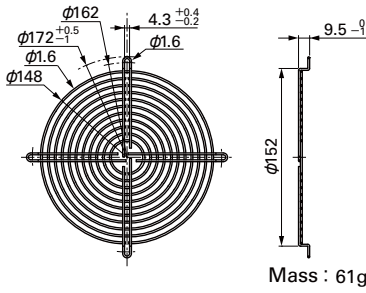
Options (unit: mm)

Finger Guards

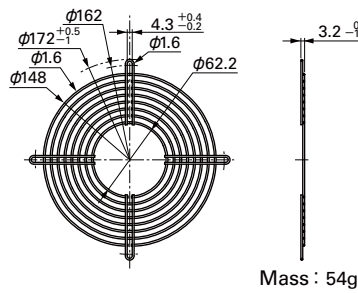
Model : 109-1066 Surface treatment : Nickel-chrome plating (silver) Color

Model : 109-1068 Surface treatment : Nickel-chrome plating (silver) Color

Inlet side, Outlet side



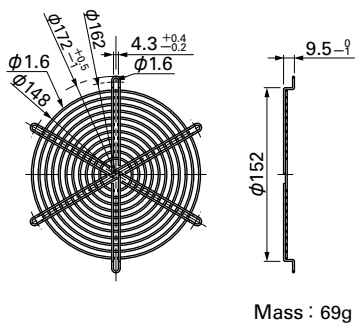
Outlet side



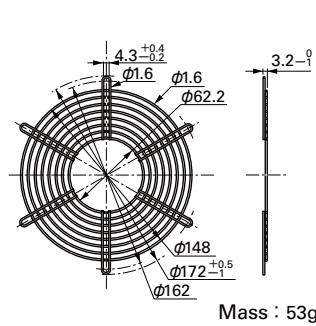
Model : 109-319E Surface treatment : Nickel-chrome plating (silver) Color
: 109-319H : Cation electropainting (black)

Model : 109-320 Surface treatment : Nickel-chrome plating (silver) Color

Inlet side, Outlet side

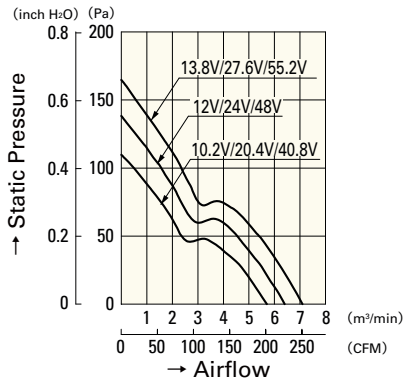


Outlet side

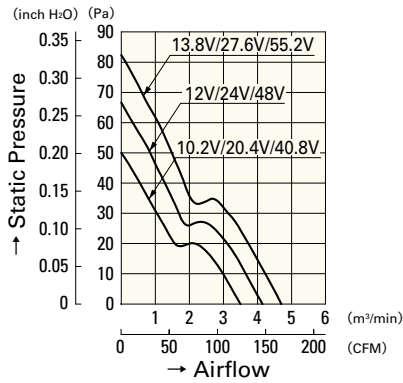


Airflow - Static Pressure Characteristics

H speed



M speed



109L1712H501

109L1724H501

109L1748H501

109L1712M501

109L1724M501

109L1748M501

DC
Long Life Fan 172mm

How to Read Specifications

DC Fan											DC	
Model No.	① Rated Voltage [V]	② Operating Voltage Range [V]	③ Rated Current [A]	④ Rated Input [W]	⑤ Rated Speed [min ⁻¹]	⑥ Max. Airflow [m ³ /min] [CFM]		⑦ Max. Static Pressure [Pa] [inchH ₂ O]		⑧ SPL [dB(A)]	⑨ Operating Temperature [°C]	⑩ Expected Life [h]
9GA0412G7001	12	7 to 13.8	0.17	2.04	13,100	0.36	12.7	192	0.77	42	-20 to +70	40,000/60°C (70,000/40°C)

- ① Rated Voltage This is the necessary voltage to drive the fan. 12VDC, 24VDC and 48VDC are available.
- ② Operating Voltage Range... The voltage range over which fan operation is guaranteed
- ③ Rated Current The current value during the fan's rated operation without load
- ④ Rated Input The input value during the fan's rated operation without load
- ⑤ Rated Speed The rotating speed during the fan's rated operation without load
- ⑥ Max. Airflow The maximum air volume that the fan can output during rated operation (according to the company's dual-chamber device).
The volume of air generated by the fan in a given time period
- ⑦ Max. Static Pressure The maximum static pressure value that the fan can output during rated operation (according to the company's dual-chamber device). The static pressure is the fan's force to propel air by overcoming the resistance of the device that uses the fan when it propels air.
- ⑧ SPL..... "SPL" is Sound Pressure Level. The noise level during the fan's rated operation.
Please refer to the technical material section for the method used to measure the noise level.
- ⑨ Operating Temperature The temperature range over which fan operation is guaranteed (Non- condensing)
- ⑩ Expected Life The fan's expected operating life when the fan operates continuously at the rated voltage at a temperature of 60°C and at relative humidity of 90%. Expected life at 40°C ambient is just reference value.
Please refer to the technical material section for the expected operating life.

DC Fan Common Specifications

Material Frame,Impeller:Plastics / Frame:Aluminum,Impeller:Plastics

* For details, refer to the appropriate page.

Expected LifeVaries for each model (L10:Survival rate:90% at 60°C ,rated voltage, and continuously run in a free air state)

* Splash proof fan: Varies for each model (Indoor, L10:Survival rate:90% at 60°C ,rated voltage, and continuously run in a free air state)

Motor Protection Burnout protection at locked rotor condition and Reverse polarity protection

Dielectric StrengthAC50/60Hz 500VAC 1minute(between lead conductor and frame)

Insulation Resistance10M Ω or more at 500VDC megger (between lead conductor and frame)

Sound Pressure Level(SPL) ..Expressed as the value at 1m from air inlet side

Lead WireFor details, refer to the appropriate page.

Overheating protection function

Protection Functions:

If the fan blades are restricted, an overcurrent occurs and leads to a rise in the fan coil temperature. This can result in reduced performance, damage, or a fire. To prevent this from occurring, SANYO DENKI's fans incorporate an overheating protection function. Refer to the catalog for the types of protection functions.

Burnout protection function at locked rotor condition

- Current cutoff system

If the fan blades are restricted, the coil current is cut off at regular cycles to prevent overheating of the coil. When the hindrance is removed, the fan restarts automatically.

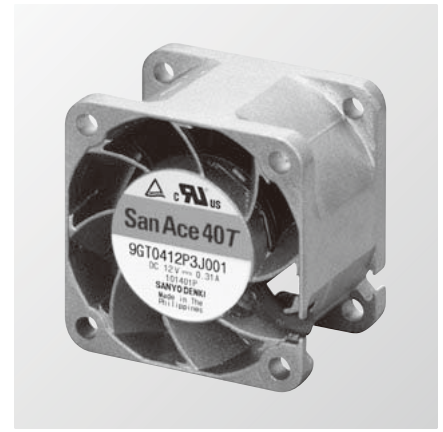
Reverse polarity protection function

No problem about fan even if positive & negative lead are connected in reverse.

However, when wiring fans with sensors or PWM speed control function, connecting positive and negative leads in reverse may damage the fans.

40mm sq.

San Ace 40T



General Specifications

- Material Frame: Aluminum, Impeller: Plastics (Flammability: UL94V-1)
- Expected Life Refer to specifications (L10:Survival rate:90% at 85°C ,
rated voltage, and continuously run in a free air state)
- Lead Wire ⊕red ⊖black (Sensor) yellow (Control) brown
- Storage Temperature -40°C to +85°C (Non-condensing)

40×40×28mm (Mass : 55g) **9GT type**

Specifications The following nos. have PWM controls and pulse sensors.

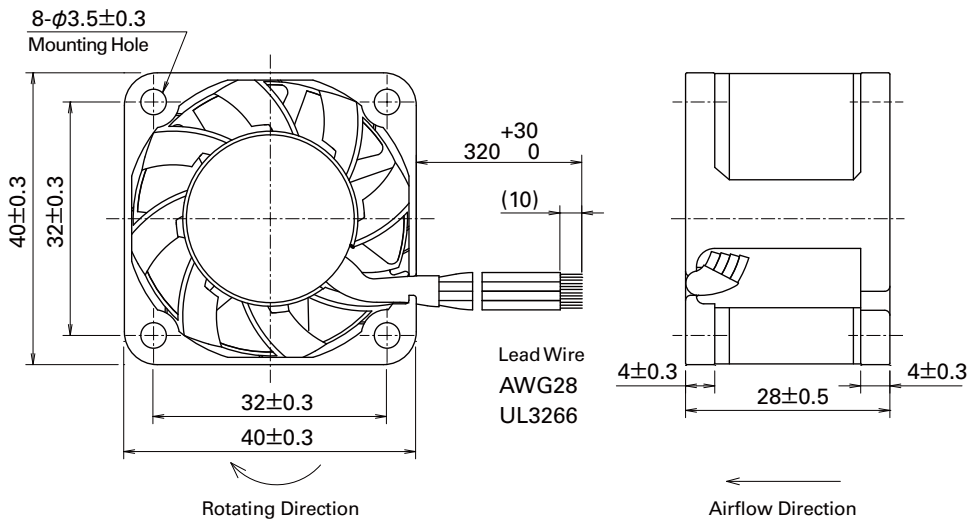
Model No.	Rated Voltage [V]	Operating Voltage Range [V]	PWM duty cycle ^{Note1)} [%]	Rated Current [A]	Rated Input [W]	Rated Speed [min ⁻¹]	Max. Airflow [m ³ /min] [CFM]	Max. Static Pressure [Pa] [inchH ₂ O]	SPL [dB(A)]	Operating Temperature [°C]	Expected Life [h]
9GT0412P3J001	12	10.2 to 13.8	100	0.31	3.72	11,700	0.52 18.4	206 0.827	48	-40 to +85	40,000/85°C
			30	0.08	0.96	4,100	0.18 6.36	25.2 0.100	21		
9GT0424P3J001	24	20.4 to 27.6	100	0.15	3.60	11,700	0.52 18.4	206 0.827	48		
			30	0.05	1.20	4,100	0.18 6.36	25.2 0.100	21		

Note : Fan does not rotate when PWM duty cycle is 0%.

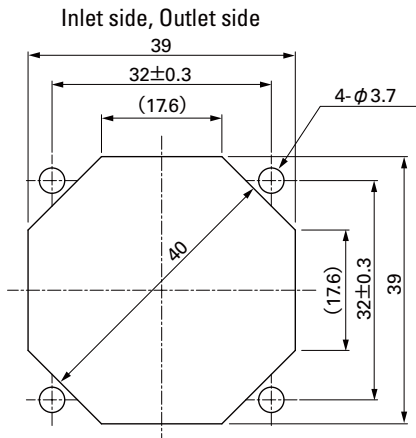
※PWM Frequency : 25kHz

Other sensor specifications are available as options. Please refer to the index (p. 506).

Dimensions (unit: mm)



Reference Dimensions of Mounting Holes and Vent Opening (unit: mm)

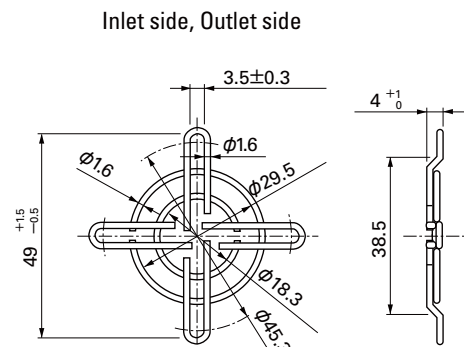


Options (unit: mm)

Finger Guards

Model : 109-059 Surface treatment : Nickel-chrome plating (silver)
: 109-059H : Cation electropainting (black)

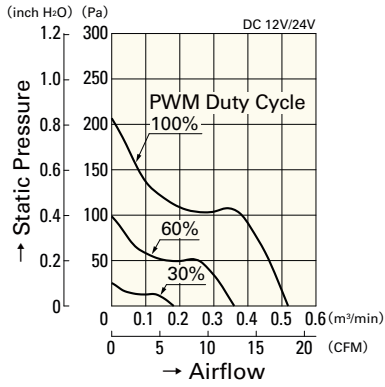
Color



Mass : 7g

Airflow - Static Pressure Characteristics

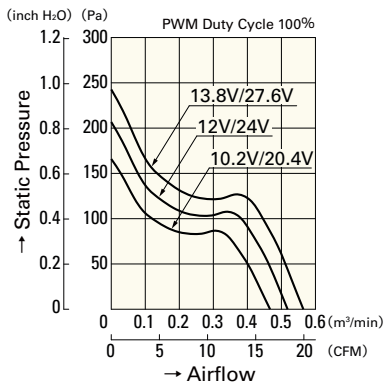
PWM Duty Cycle



9GT0412P3J001

9GT0424P3J001

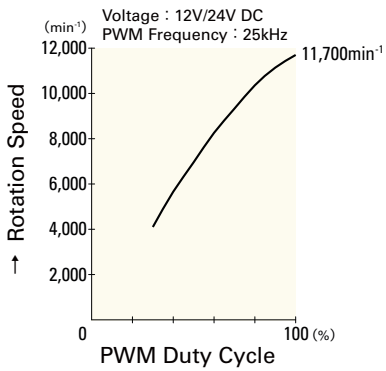
Operating Voltage Range



9GT0412P3J001

9GT0424P3J001

PWM Duty - Speed Characteristics Example



9GT0412P3J001

9GT0424P3J001

DC

Wide Temperature Range Fan 40mm

60mm sq.

San Ace 60T



General Specifications

- Material Frame: Aluminum, Impeller: Plastics (Flammability: UL94V-1)
- Expected Life Refer to specifications (L10:Survival rate:90% at 85°C , rated voltage, and continuously run in a free air state)
- Lead Wire ⊕red ⊖black (Sensor) yellow (Control) brown
- Storage Temperature -40°C to +85°C (Non-condensing)

60×60×25mm (Mass : 100g) **9GT** type

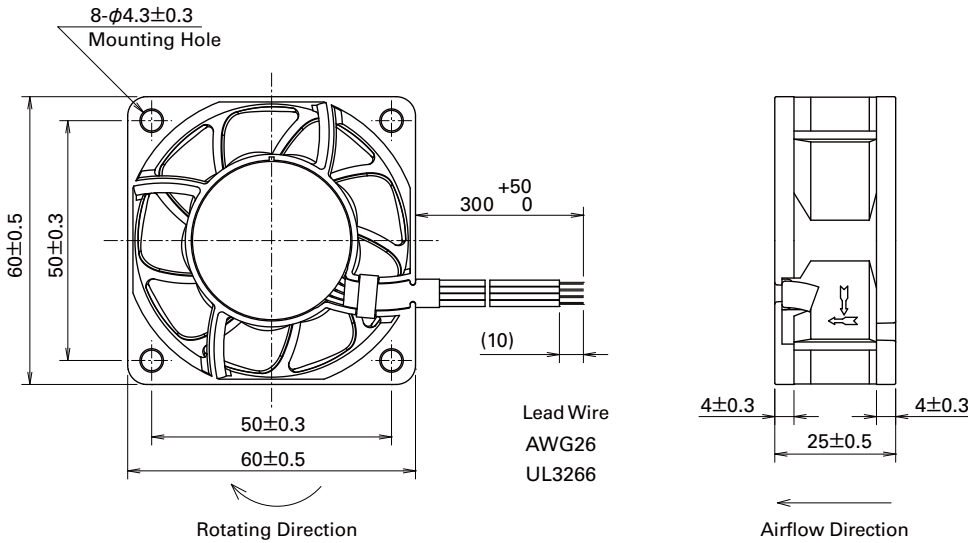
Specifications

The following nos. **have PWM controls and pulse sensors.**

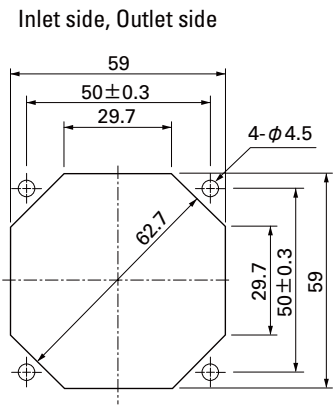
Model No.	Rated Voltage [V]	Operating Voltage Range [V]	PWM duty cycle ^{*)} [%]	Rated Current [A]	Rated Input [W]	Rated Speed [min ⁻¹]	Max. Airflow [m ³ /min] [CFM]	Max. Static Pressure [Pa] [InchH ₂ O]	SPL [dB(A)]	Operating Temperature [°C]	Expected Life [h]
9GT0612P4G001	12	10.2 to 13.8	100	0.56	6.72	10,000	1.26 44.5	243 0.97	52	-40 to +85	40,000/85°C
			30	0.11	1.32	4,100	0.52 18.3	42.8 0.17	25		
9GT0624P4G001	24	20.4 to 27.6	100	0.28	6.72	10,000	1.26 44.5	243 0.97	52		
			30	0.06	1.44	4,100	0.52 18.3	42.8 0.17	25		

Note : Fan does not rotate when PWM duty cycle is 0%. *)PWM Frequency : 25kHz
 Other sensor specifications are available as options. Please refer to the index (p. 506).

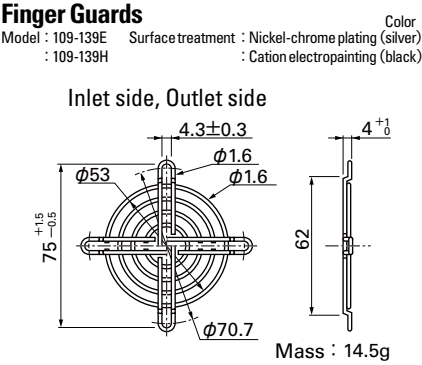
Dimensions (unit: mm)



Reference Dimensions of Mounting Holes and Vent Opening (unit: mm)

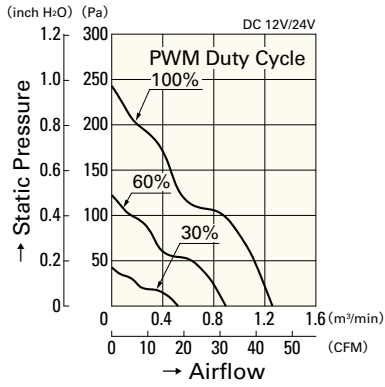


Options (unit: mm)



Airflow - Static Pressure Characteristics

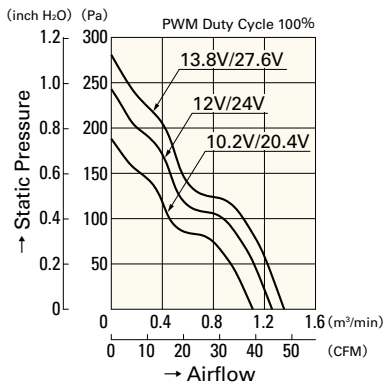
PWM Duty Cycle



9GT0612P4G001

9GT0624P4G001

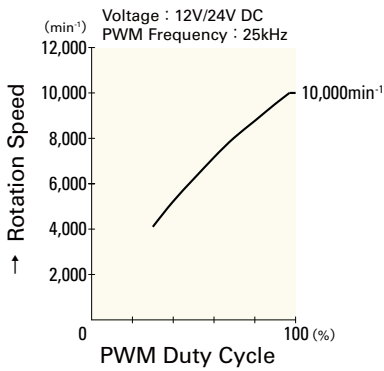
Operating Voltage Range



9GT0612P4G001

9GT0624P4G001

PWM Duty - Speed Characteristics Example



9GT0612P4G001

9GT0624P4G001

DC

Wide Temperature Range Fan 60mm

80 mm sq.

San Ace 80T



General Specifications

- Material Frame: Aluminum, Impeller: Plastics (Flammability: UL94V-1)
- Expected Life Refer to specifications (L10:Survival rate:90% at 85°C ,
rated voltage, and continuously run in a free air state)
- Lead Wire ⊕red ⊖black (Sensor) yellow (Control) brown
- Storage Temperature -40°C to +85°C (Non-condensing)

80×80×25 mm (Mass : 130g) **9GT** type

Specifications

The following nos. **have PWM controls and pulse sensors.**

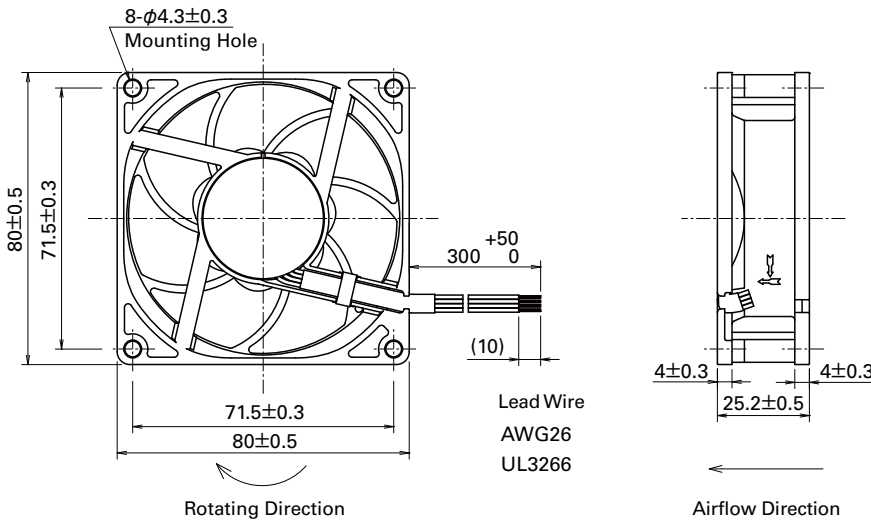
Model No.	Rated Voltage [V]	Operating Voltage Range [V]	PWM duty cycle [※] [%]	Rated Current [A]	Rated Input [W]	Rated Speed [min ⁻¹]	Max. Airflow [m ³ /min] [CFM]	Max. Static Pressure [Pa] [inchH ₂ O]	SPL [dB(A)]	Operating Temperature [°C]	Expected Life [h]
9GT0812P4S001	12	10.2 to 13.8	100	0.46	5.52	6,700	1.86 65.7	143 0.57	46	-40 to +85	40,000/85°C
			30	0.09	1.08	2,650	0.73 25.7	22.3 0.08	26		
9GT0824P4S001	24	20.4 to 27.6	100	0.22	5.28	6,700	1.86 65.7	143 0.57	46		
			30	0.05	1.20	2,650	0.73 25.7	22.3 0.08	26		

Note : Fan does not rotate when PWM duty cycle is 0%.

※PWM Frequency : 25kHz

Other sensor specifications are available as options. Please refer to the index (pp. 506 to 507).

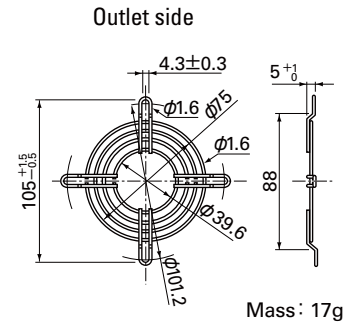
Dimensions (unit: mm)



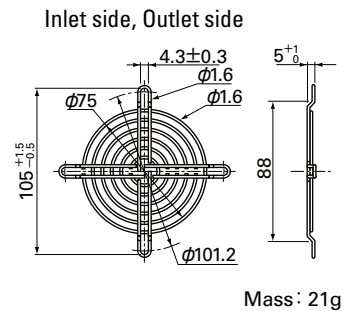
Options (unit: mm)

Finger Guards

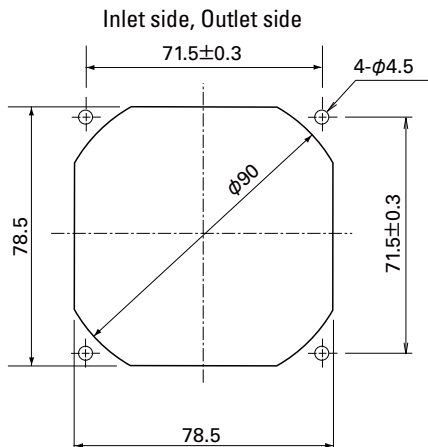
Model : 109-049C Surface treatment : Nickel-chrome plating (silver) Color



Model : 109-049E Surface treatment : Nickel-chrome plating (silver) Color
: 109-049H : Cation electropainting (black)

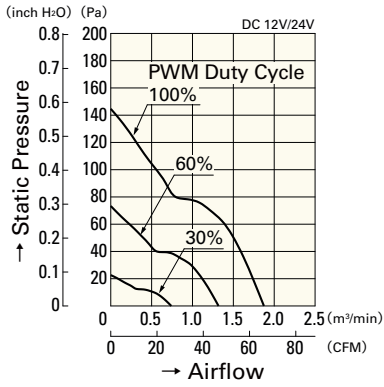


Reference Dimensions of Mounting Holes and Vent Opening (unit: mm)



Airflow - Static Pressure Characteristics

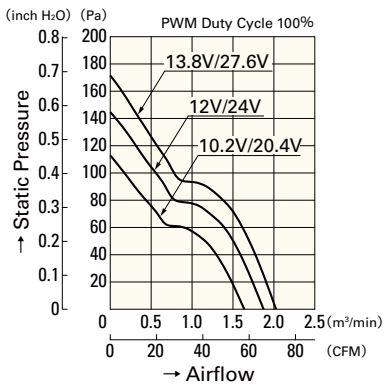
PWM Duty Cycle



9GT0812P4S001

9GT0824P4S001

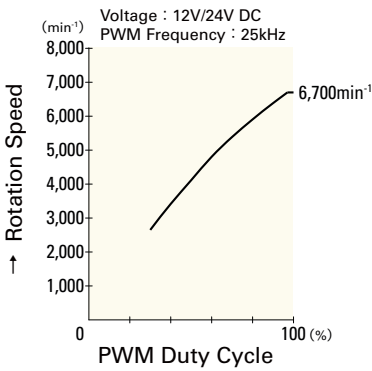
Operating Voltage Range



9GT0812P4S001

9GT0824P4S001

PWM Duty - Speed Characteristics Example



9GT0812P4S001

9GT0824P4S001

DC

Wide Temperature Range Fan 80mm

92mm sq.

San Ace 92T



General Specifications

- Material Frame: Aluminum, Impeller: Plastics (Flammability: UL94V-1)
- Expected Life Refer to specifications (L10:Survival rate:90% at 85°C , rated voltage, and continuously run in a free air state)
- Lead Wire ⊕red ⊖black (Sensor) yellow (Control) brown
- Storage Temperature -40°C to +85°C (Non-condensing)

92×92×25mm (Mass : 150g) **9GT** type

Specifications

The following nos. **have PWM controls and pulse sensors.**

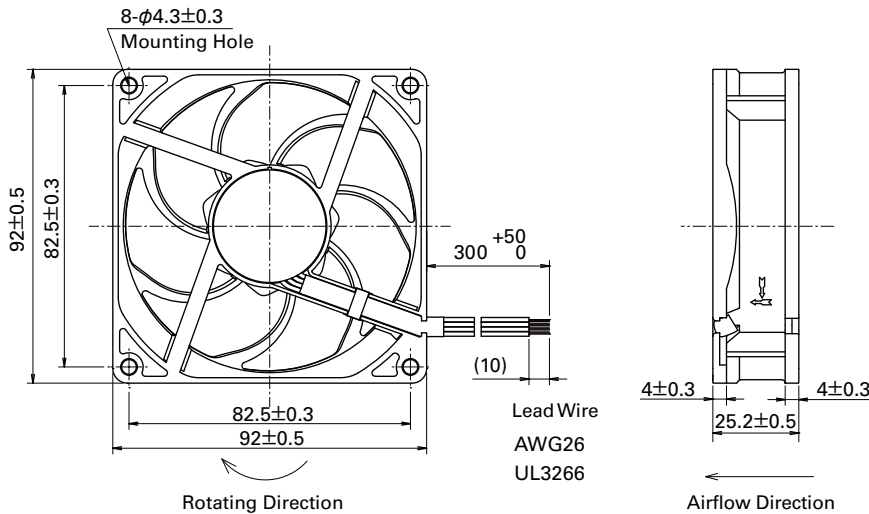
Model No.	Rated Voltage [V]	Operating Voltage Range [V]	PWM duty cycle [※] [%]	Rated Current [A]	Rated Input [W]	Rated Speed [min ⁻¹]	Max. Airflow [m ³ /min] [CFM]	Max. Static Pressure [Pa] [InchH ₂ O]	SPL [dB(A)]	Operating Temperature [°C]	Expected Life [h]
9GT0912P4J001	12	10.2 to 13.8	100	0.42	5.04	5,000	2.20 77.7	105 0.42	44	-40 to +85	40,000/85°C
			30	0.07	0.84	1,850	0.81 28.7	14.3 0.05	18		
9GT0924P4J001	24	20.4 to 27.6	100	0.21	5.04	5,000	2.20 77.7	105 0.42	44		
			30	0.05	1.20	1,850	0.81 28.7	14.3 0.05	18		

Note : Fan does not rotate when PWM duty cycle is 0%.

※PWM Frequency : 25kHz

Other sensor specifications are available as options. Please refer to the index (p. 507).

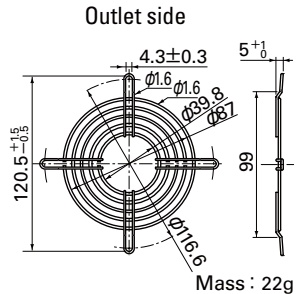
Dimensions (unit: mm)



Options (unit: mm)

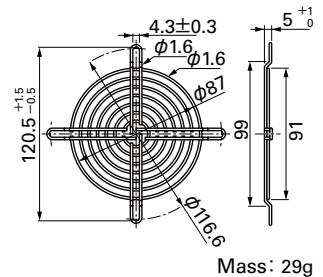
Finger Guards

Model : 109-099C Surface treatment : Nickel-chrome plating (silver) Color

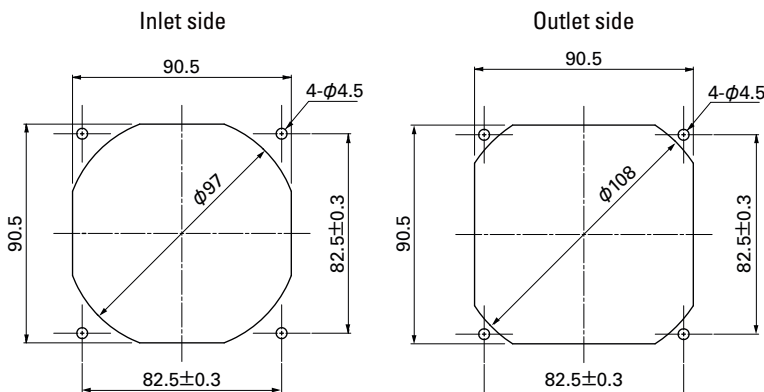


Model : 109-099E Surface treatment : Nickel-chrome plating (silver) Color
: 109-099H : Cation electropainting (black)

Inlet side, Outlet side

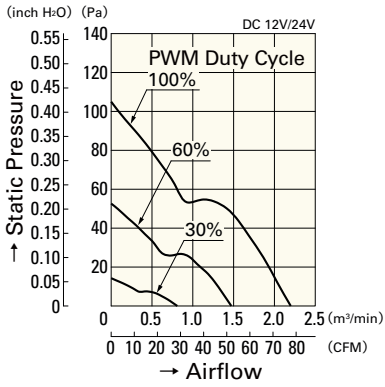


Reference Dimensions of Mounting Holes and Vent Opening (unit: mm)



Airflow - Static Pressure Characteristics

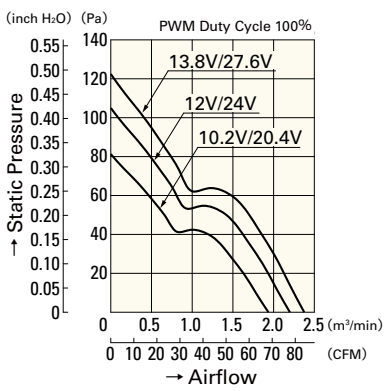
PWM Duty Cycle



9GT0912P4J001

9GT0924P4J001

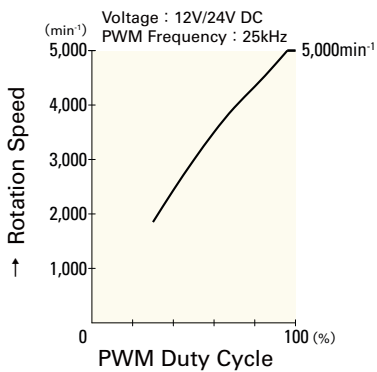
Operating Voltage Range



9GT0912P4J001

9GT0924P4J001

PWM Duty - Speed Characteristics Example



9GT0912P4J001

9GT0924P4J001

DC

Wide Temperature Range Fan 92mm

92mm sq.

San Ace 92T



General Specifications

- Material Frame: Aluminum, Impeller: Plastics (Flammability: UL94V-1)
- Expected Life Refer to specifications (L10:Survival rate:90% at 85°C ,
rated voltage, and continuously run in a free air state)
- Lead Wire ⊕red ⊖black (Sensor) yellow (Control) brown
- Storage Temperature -40°C to +85°C (Non-condensing)

92×92×38mm (Mass : 270g) **9GT** type

Specifications

The following nos. **have PWM controls and pulse sensors.**

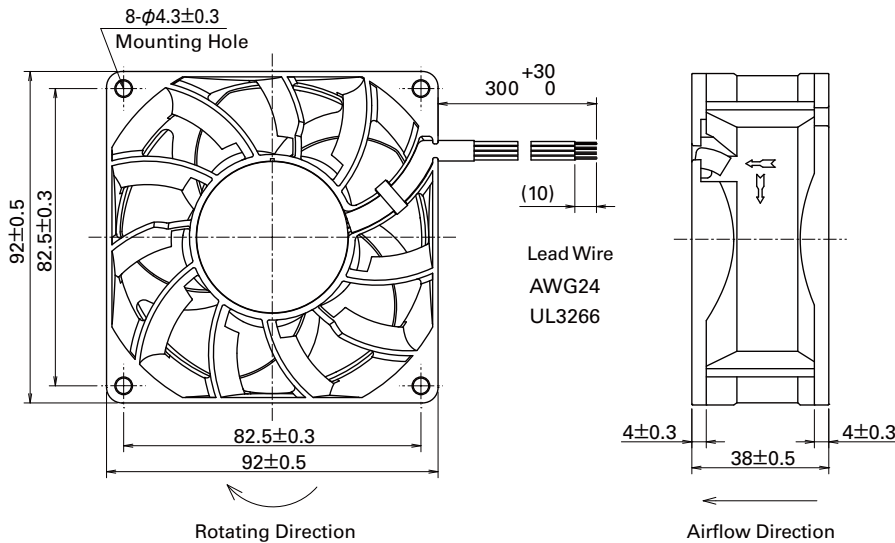
Model No.	Rated Voltage [V]	Operating Voltage Range [V]	PWM duty cycle [※] [%]	Rated Current [A]	Rated Input [W]	Rated Speed [min ⁻¹]	Max. Airflow [m ³ /min] [CFM]	Max. Static Pressure [Pa] [InchH ₂ O]	SPL [dB(A)]	Operating Temperature [°C]	Expected Life [h]
9GT0912P1M001	12	10.2 to 13.8	100	1.50	18.0	8,100	3.30 116.6	315 1.26	58	-40 to +85	40,000/85°C
			30	0.30	3.6	3,750	1.50 53.0	72.0 0.29	37		
9GT0924P1M001	24	20.4 to 27.6	100	0.75	18.0	8,100	3.30 116.6	315 1.26	58		
			30	0.15	3.6	3,750	1.50 53.0	72.0 0.29	37		

Note : Fan does not rotate when PWM duty cycle is 0%.

※PWM Frequency : 25kHz

Other sensor specifications are available as options. Please refer to the index (p. 507).

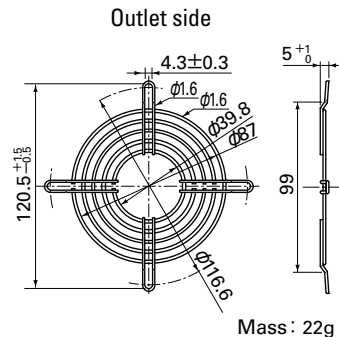
Dimensions (unit: mm)



Options (unit: mm)

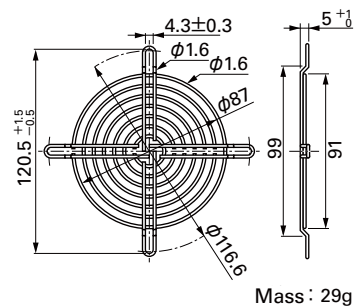
Finger Guards

Model : 109-099C Surface treatment : Nickel-chrome plating (silver) Color

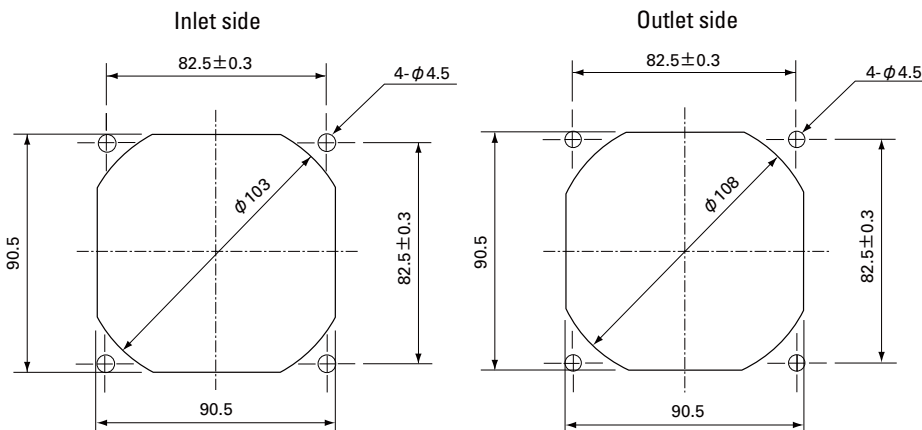


Model : 109-099E Surface treatment : Nickel-chrome plating (silver) Color
: 109-099H : Cation electropainting (black)

Inlet side, Outlet side

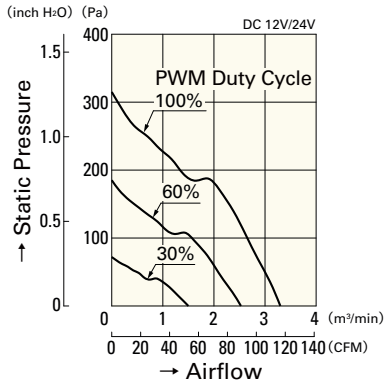


Reference Dimensions of Mounting Holes and Vent Opening (unit: mm)



Airflow - Static Pressure Characteristics

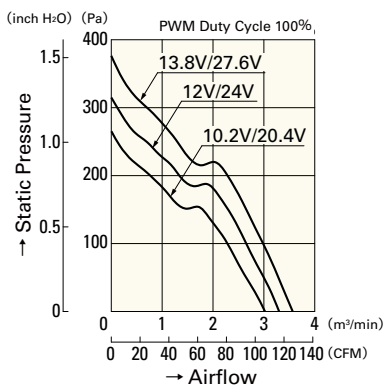
PWM Duty Cycle



9GT0912P1M001

9GT0924P1M001

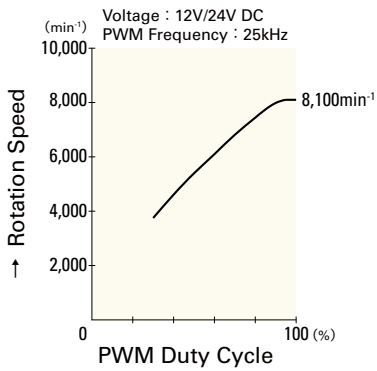
Operating Voltage Range



9GT0912P1M001

9GT0924P1M001

PWM Duty - Speed Characteristics Example



9GT0912P1M001

9GT0924P1M001

DC

Wide Temperature Range Fan 92mm

120mm sq.

San Ace 120T



General Specifications

- Material Frame: Aluminum, Impeller: Plastics (Flammability: UL94V-1)
- Expected Life Refer to specifications (L10:Survival rate:90% at 85°C , rated voltage, and continuously run in a free air state)
- Lead Wire ⊕red ⊖black (Sensor) yellow (Control) brown
- Storage Temperature -40°C to +85°C (Non-condensing)

120×120×38mm [Mass : 420g] **9GT type**

Specifications

The following nos. have PWM controls and pulse sensors.

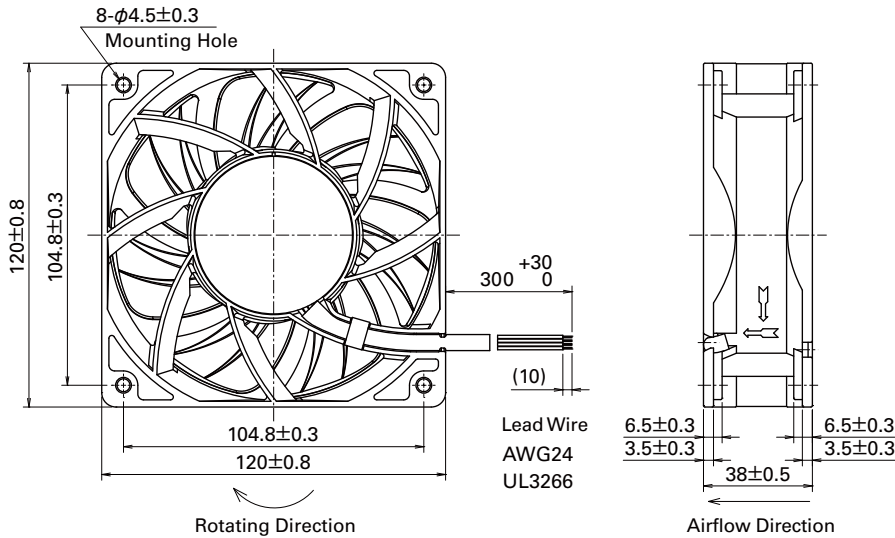
Model No.	Rated Voltage [V]	Operating Voltage Range [V]	PWM duty cycle ^{Note1)} [%]	Rated Current [A]	Rated Input [W]	Rated Speed [min ⁻¹]	Max. Airflow [m ³ /min] [CFM]	Max. Static Pressure [Pa] [InchH ₂ O]	SPL [dB(A)]	Operating Temperature [°C]	Expected Life [h]
9GT1212P1S001	12	9.0 to 13.8	100	2.2	26.4	5,600	6.00 211.8	270 1.08	58	-40 to +85	40,000/85°C
			35	0.48	5.76	2,900	3.00 106.0	85.6 0.34	41		
9GT1224P1S001	24	18.0 to 27.6	100	1.1	26.4	5,600	6.00 211.8	270 1.08	58		
			35	0.24	5.76	2,900	3.00 106.0	85.6 0.34	41		

Note : Fan does not rotate when PWM duty cycle is 0%.

※PWM Frequency : 25kHz

Other sensor specifications are available as options. Please refer to the index (p. 507).

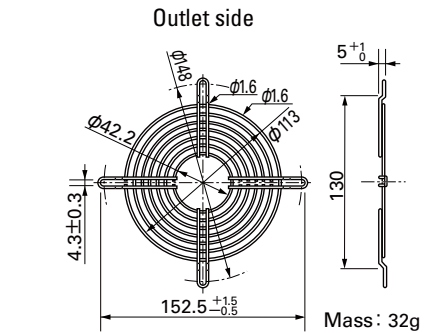
Dimensions (unit: mm)



Options (unit: mm)

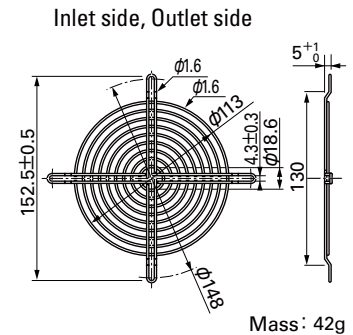
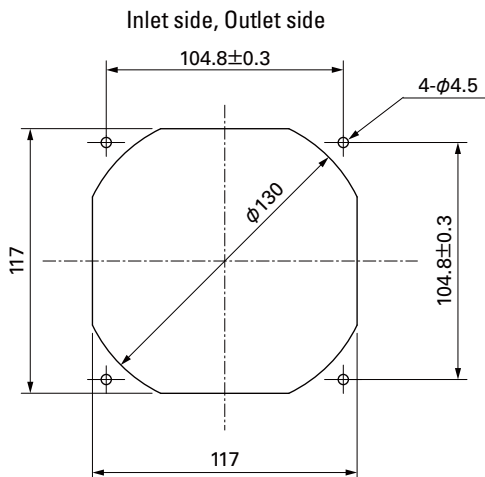
Finger Guards

Model : 109-019C Surface treatment : Nickel-chrome plating (silver)
: 109-019H : Cation electropainting (black)



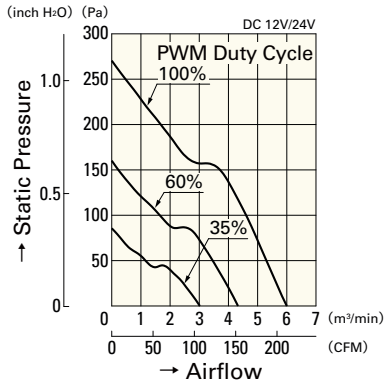
Model : 109-019E Surface treatment : Nickel-chrome plating (silver)
: 109-019K : Cation electropainting (black)

Reference Dimensions of Mounting Holes and Vent Opening (unit: mm)



Airflow - Static Pressure Characteristics

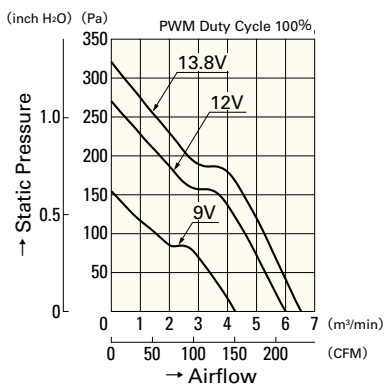
PWM Duty Cycle



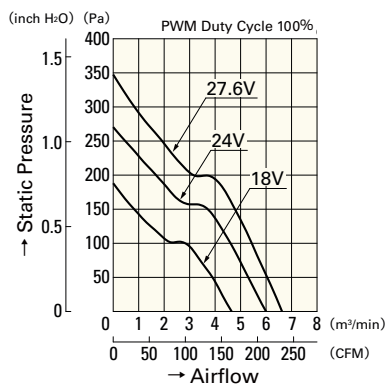
9GT1212P1S001

9GT1224P1S001

Operating Voltage Range

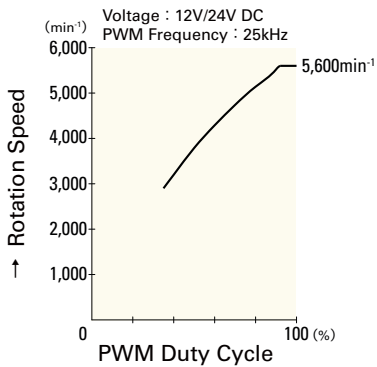


9GT1212P1S001



9GT1224P1S001

PWM Duty - Speed Characteristics Example



9GT1212P1S001

9GT1224P1S001

DC

Wide Temperature Range Fan 120mm

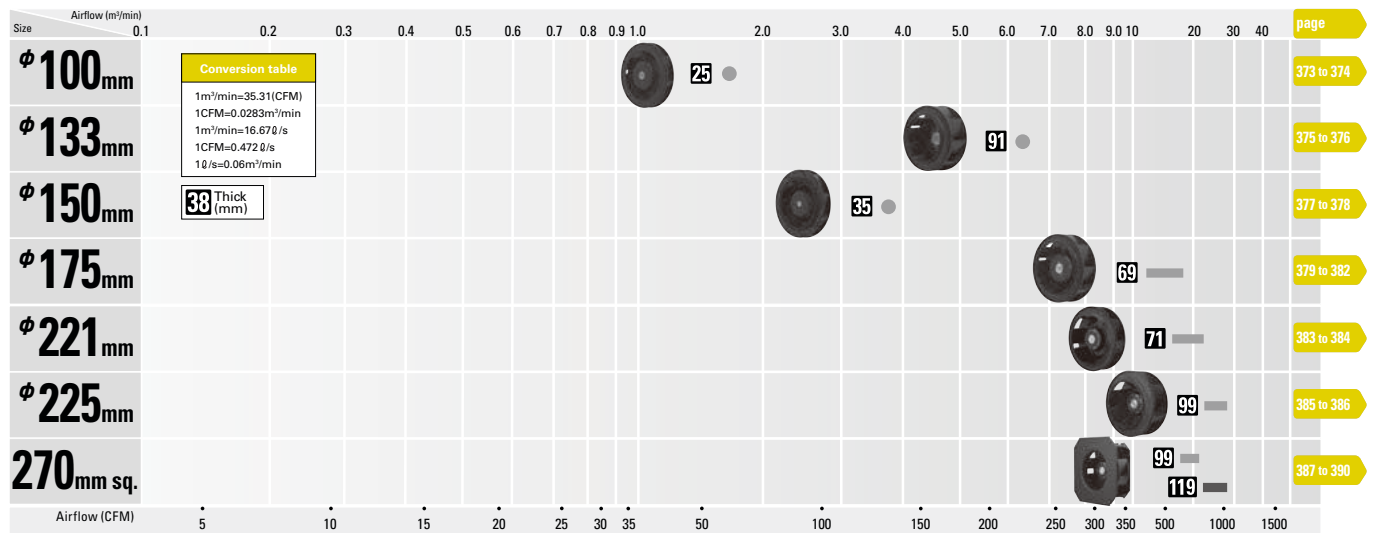
Centrifugal Fan

Cooling fan blows air in a centrifugal course. It features high static pressure.

Related product

Splash Proof Centrifugal Fan ⇒ p. 293

Domain Diagram



Model Numbering System

Not every combination of the following codes or characters is available. Contact us for an available combination.

9T	M	48	P	4	H	01
Type name 9T: Centrifugal Fan	Impeller size M: φ100mm J: φ133mm N: φ150mm G: φ175mm P: φ221mm S: φ225mm GA: φ175mm	Voltage 24: 24V 48: 48V	PWM control function P	Frame thickness 0: 69mm thick MIN 1: 35mm thick 4: 25mm thick	Speed code H, G etc	Individual customer's spec 2 or 3 digits

Bracket-mounted Centrifugal Fan

9B1T	P	48	P	0	H	001
Type name 9B1T: Bracket-mounted Centrifugal Fan	Impeller size P: φ221mm S: φ225mm	Voltage 24: 24V 48: 48V	PWM control function P	Frame thickness 0: 99mm thick / 119mm thick	Speed code H, G etc	Individual customer's spec 3 digits

How to Read Specifications

DC Fan											DC	
Model No.	① Rated Voltage [V]	② Operating Voltage Range [V]	③ Rated Current [A]	④ Rated Input [W]	⑤ Rated Speed [min ⁻¹]	⑥ Max. Airflow [m ³ /min] [CFM]		⑦ Max. Static Pressure [Pa] [inchH ₂ O]		⑧ SPL [dB(A)]	⑨ Operating Temperature [°C]	⑩ Expected Life [h]
9GA0412G7001	12	7 to 13.8	0.17	2.04	13,100	0.36	12.7	192	0.77	42	-20 to +70	40,000/60°C (70,000/40°C)

- ① Rated Voltage This is the necessary voltage to drive the fan. 12VDC, 24VDC and 48VDC are available.
- ② Operating Voltage Range The voltage range over which fan operation is guaranteed
- ③ Rated Current The current value during the fan's rated operation without load
- ④ Rated Input The input value during the fan's rated operation without load
- ⑤ Rated Speed The rotating speed during the fan's rated operation without load
- ⑥ Max. Airflow The maximum air volume that the fan can output during rated operation (according to the company's dual-chamber device).
The volume of air generated by the fan in a given time period
- ⑦ Max. Static Pressure The maximum static pressure value that the fan can output during rated operation (according to the company's dual-chamber device). The static pressure is the fan's force to propel air by overcoming the resistance of the device that uses the fan when it propels air.
- ⑧ SPL "SPL" is Sound Pressure Level. The noise level during the fan's rated operation.
Please refer to the technical material section for the method used to measure the noise level.
- ⑨ Operating Temperature The temperature range over which fan operation is guaranteed (Non- condensing)
- ⑩ Expected Life The fan's expected operating life when the fan operates continuously at the rated voltage at a temperature of 60°C and at relative humidity of 90%. Expected life at 40°C ambient is just reference value.
Please refer to the technical material section for the expected operating life.

DC Fan Common Specifications

Material Frame,Impeller:Plastics / Frame:Aluminum,Impeller:Plastics

* For details, refer to the appropriate page.

Expected Life Varies for each model (L10:Survival rate:90% at 60°C ,rated voltage, and continuously run in a free air state)

* Splash proof fan: Varies for each model (Indoor, L10:Survival rate:90% at 60°C ,rated voltage, and continuously run in a free air state)

Motor Protection Burnout protection at locked rotor condition and Reverse polarity protection

Dielectric Strength AC50/60Hz 500VAC 1minute(between lead conductor and frame)

Insulation Resistance 10M Ω or more at 500VDC megger (between lead conductor and frame)

Sound Pressure Level(SPL) Expressed as the value at 1m from air inlet side

Lead Wire For details, refer to the appropriate page.

Overheating protection function

Protection Functions:

If the fan blades are restricted, an overcurrent occurs and leads to a rise in the fan coil temperature. This can result in reduced performance, damage, or a fire. To prevent this from occurring, SANYO DENKI's fans incorporate an overheating protection function. Refer to the catalog for the types of protection functions.

Burnout protection function at locked rotor condition

- Current cutoff system

If the fan blades are restricted, the coil current is cut off at regular cycles to prevent overheating of the coil. When the hindrance is removed, the fan restarts automatically.

Reverse polarity protection function

No problem about fan even if positive & negative lead are connected in reverse.

However, when wiring fans with sensors or PWM speed control function, connecting positive and negative leads in reverse may damage the fans.

ϕ 100mm

San Ace C100



General Specifications

- Material Motor case: Aluminum,
Impeller: Plastics (Flammability: UL94V-0)
- Expected Life Refer to specifications (L10:Survival rate: 90% at 60°C ,
rated voltage, and continuously run in a free air state)
- Lead Wire ⊕red ⊖black (Sensor) yellow (Control) brown
- Storage Temperature -30°C to +70°C (Non-condensing)

ϕ 100mm×25mm (Mass : 150g) **9T type**

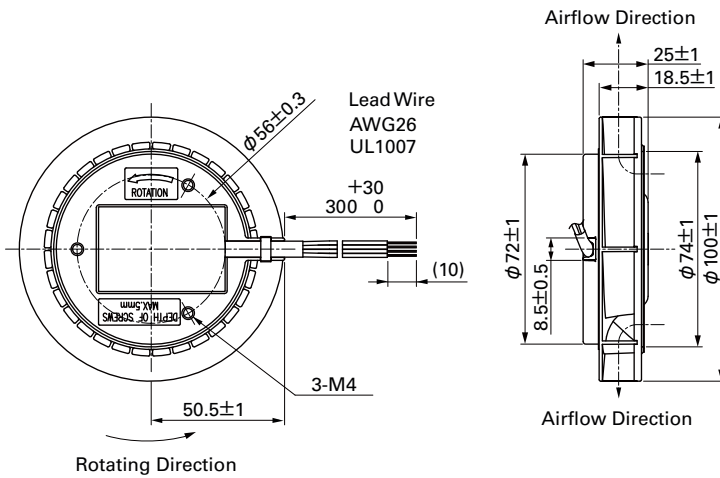
Specifications When our inlet nozzle [Option (Model NO. : 109-1080)] is mounted. The following nos. **have PWM controls and pulse sensors.**

Model No.	Rated Voltage [V]	Operating Voltage Range [V]	PWM duty cycle* [%]	Rated Current [A]	Rated Input [W]	Rated Speed [min ⁻¹]	Max. Airflow [m ³ /min] [CFM]	Max. Static Pressure [Pa] [inchH ₂ O]	SPL [dB(A)]	Operating Temperature [°C]	Expected Life [h]
9TM24P4H01	24	21.6 to 26.4	100	0.44	10.56	6,400	1.77 62.5	560 2.25	60	-20 to +70	40,000/60°C
			0	0.05	1.2	2,000	0.51 18.0	48 0.19	34		
9TM48P4H01	48	36 to 60	100	0.22	10.56	6,400	1.77 62.5	560 2.25	60	-20 to +70	40,000/60°C
			0	0.04	1.92	2,000	0.51 18.0	48 0.19	34		

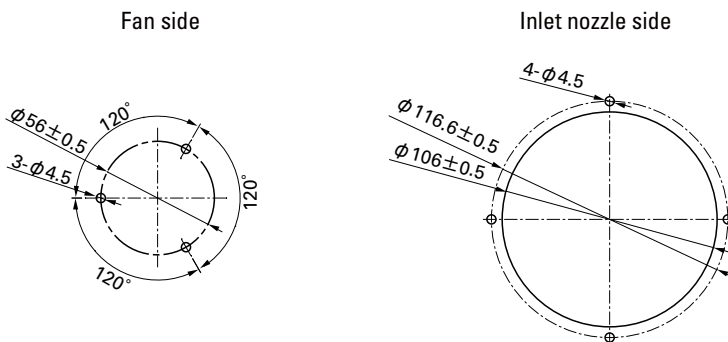
Note : Max input is 14 W at rated voltage.

※ PWM Frequency : 25kHz

Dimensions (unit: mm)



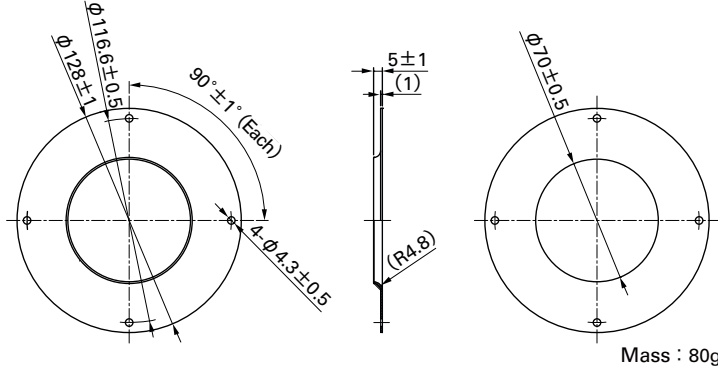
Reference Dimensions of Mounting Holes and Vent Opening (unit: mm)



Options (unit: mm)

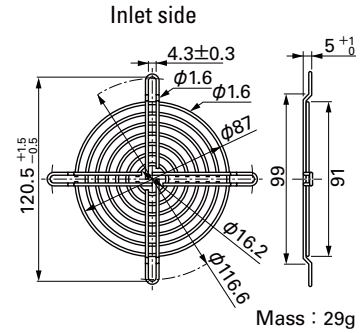
Inlet Nozzle

Model : 109-1080 Material: Steel sheet Surface treatment: Electro nickel plating (silver) Color: (silver)



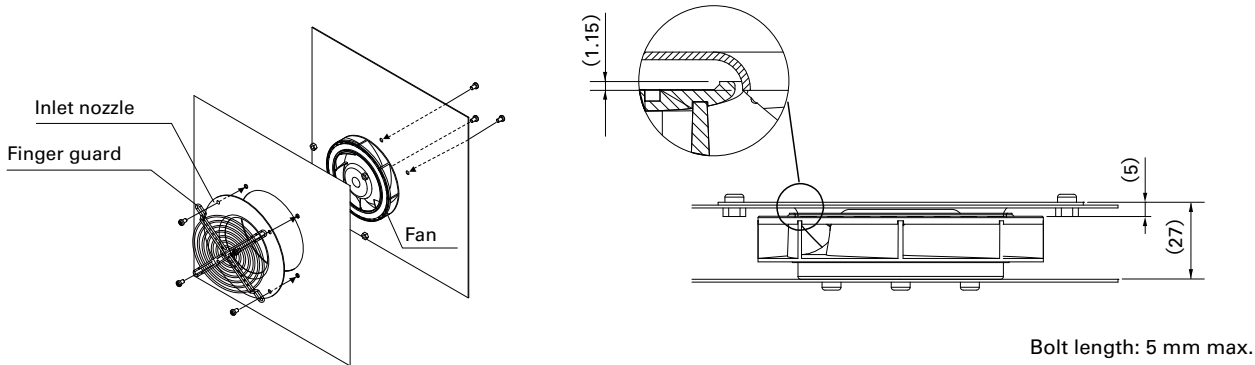
Finger Guards

Model : 109-099E Surface treatment : Nickel-chrome plating (silver) Color: (silver)
: 109-099H Surface treatment : Cation electropainting (black) Color: (black)



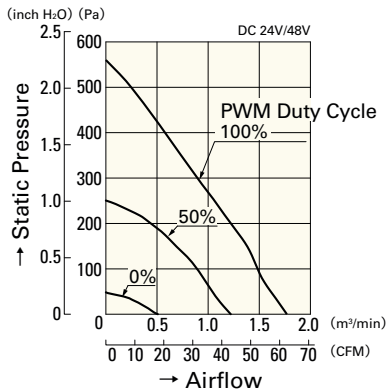
Inlet nozzle: Equipment to be mounted in inlet side for adjusting incoming airflow.

Reference Diagram for Mounting



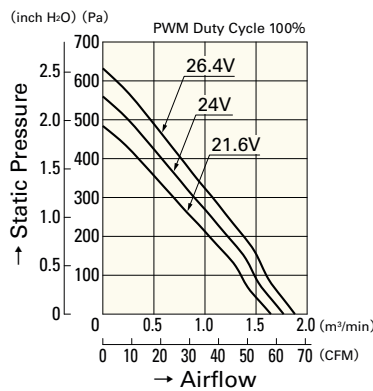
Airflow - Static Pressure Characteristics

PWM Duty Cycle

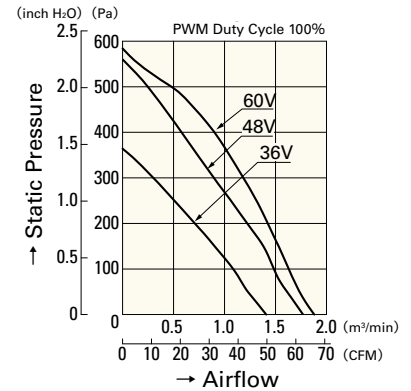


9TM24P4H01
9TM48P4H01

Operating Voltage Range

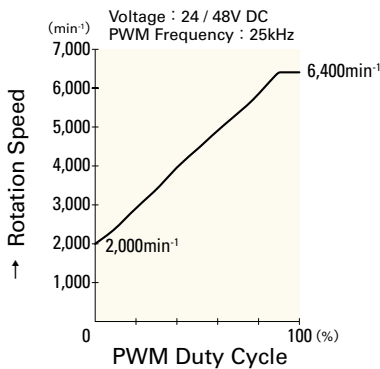


9TM24P4H01



9TM48P4H01

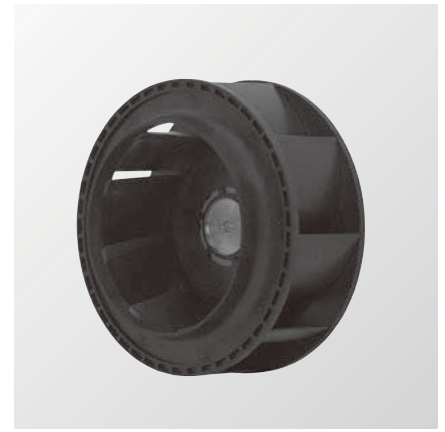
PWM Duty - Speed Characteristics Example



9TM24P4H01
9TM48P4H01

φ133mm

San Ace C133



General Specifications

- Material Motor case: Aluminum,
Impeller: Plastics (Flammability: UL94V-0)
- Expected Life Refer to specifications (L10:Survival rate: 90% at 60°C ,
rated voltage, and continuously run in a free air state)
- Lead Wire ⊕red ⊖black (Sensor) yellow (Control) brown
- Storage Temperature -30°C to +70°C (Non-condensing)

φ133mm×91mm (Mass : 660g) **9T type**

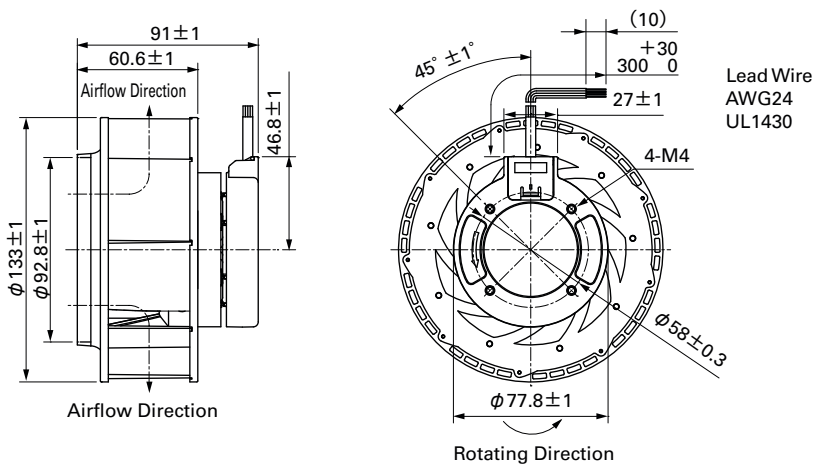
Specifications When our inletnozzle [Option (Model : 109-1069)] is mounted. The following nos. **have PWM controls and pulse sensors.**

Model No.	Rated Voltage [V]	Operating Voltage Range [V]	PWM duty cycle ^{Note#} [%]	Rated Current [A]	Rated Input [W]	Rated Speed [min ⁻¹]	Max. Airflow [m ³ /min] [CFM]	Max. Static Pressure [Pa] [inchH ₂ O]	SPL [dB(A)]	Operating Temperature [°C]	Expected Life [h]
9TJ24P0H61	24	20.4 to 27.6	100	1.2	28.8	4,150	6.39 226	395 1.59	61	-20 to +70	40,000/60°C
9TJ48P0H01	48	36 to 72	100	0.55	26.4	4,150	6.39 226	395 1.59	61		

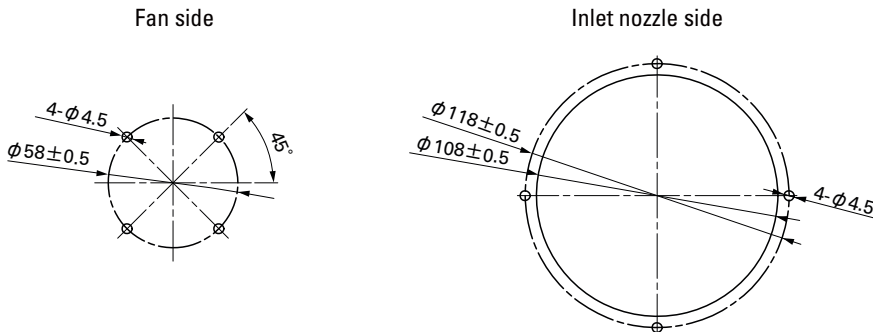
Note : Fan does not rotate when PWM duty cycle is 0%.

*PWM Frequency : 25kHz

Dimensions (unit: mm)



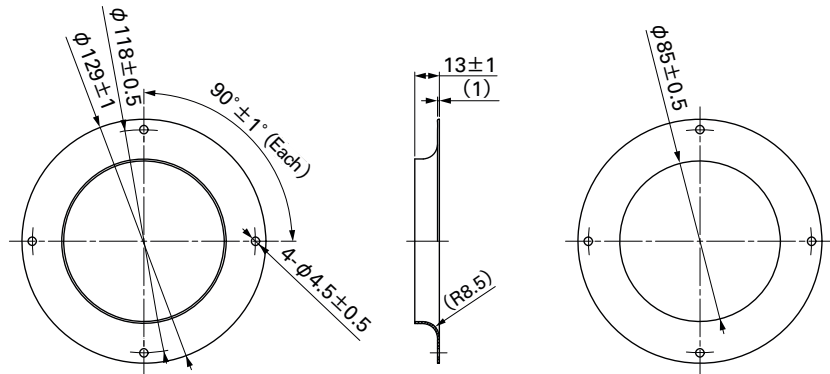
Reference Dimensions of Mounting Holes and Vent Opening (unit: mm)



Options (unit: mm)

Inlet Nozzle

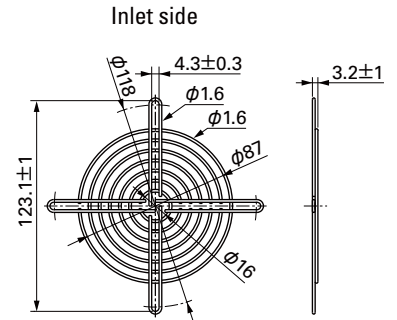
Model : 109-1069 Material : Steel sheet Surface treatment : Electro nickel plating Color : (silver)
 : 109-1069H : Steel sheet : Cation electropainting (black)



Mass : 76g

Finger Guards

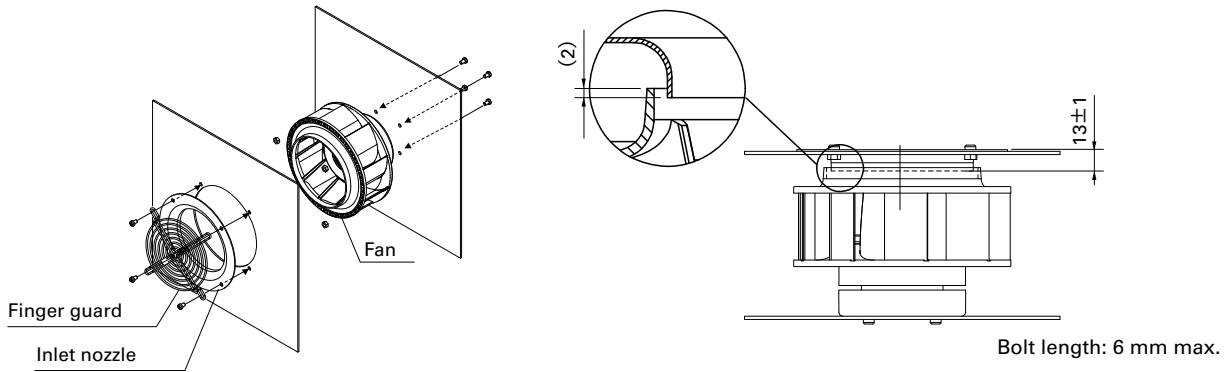
Model : 109-1112 Surface treatment : Nickel-chrome plating Color : (silver)



Mass : 65g

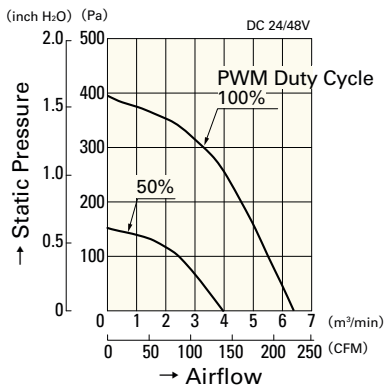
Inlet nozzle: Equipment to be mounted in inlet side for adjusting incoming airflow.

Reference Diagram for Mounting



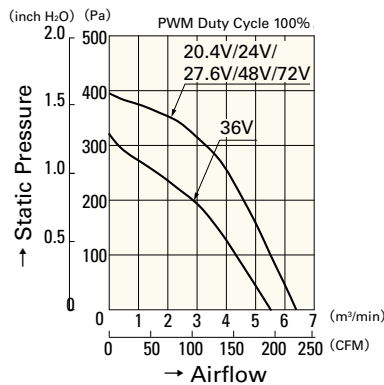
Airflow - Static Pressure Characteristics

PWM Duty Cycle



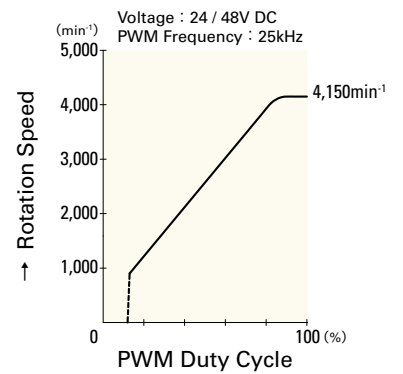
9TJ24P0H61
9TJ48P0H01

Operating Voltage Range



9TJ24P0H61
9TJ48P0H01

PWM Duty Speed Characteristics Example



9TJ24P0H61
9TJ48P0H01

φ 150mm

San Ace C150



General Specifications

- Material Motor case: Aluminum,
Impeller: Plastics (Flammability: UL94V-0)
- Expected Life Refer to specifications (L10:Survival rate: 90% at 60°C ,
rated voltage, and continuously run in a free air state)
- Lead Wire ⊕red ⊖black (Sensor) yellow (Control) brown
- Storage Temperature -30°C to +70°C (Non-condensing)

φ 150mm × 35mm (Mass : 330g) **9T type**

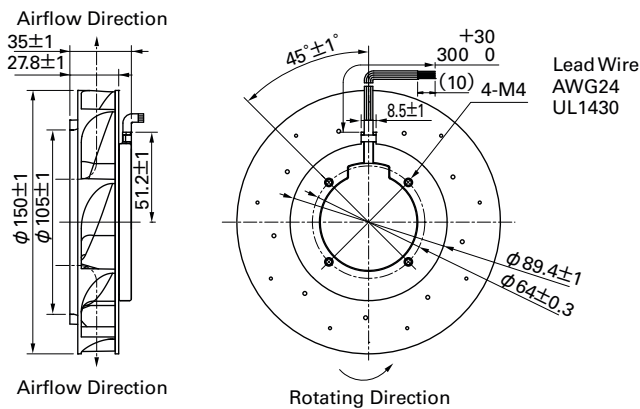
Specifications When our inletnozzle[Option(Model : 109-1081)]is mounted. The following nos. **have PWM controls and pulse sensors.**

Model No.	Rated Voltage [V]	Operating Voltage Range [V]	PWM duty cycle ^{Max(FIR)} [%]	Rated Current [A]	Rated Input [W]	Rated Speed [min ⁻¹]	Max. Airflow [m ³ /min] [CFM]	Max. Static Pressure [Pa] [inchH ₂ O]	SPL [dB(A)]	Operating Temperature [°C]	Expected Life [h]
9TN24P1H01	24	20.4 to 27.6	100	0.62	14.9	3,800	3.83 135	410 1.65	59	-20 to +70	40,000/60°C
9TN48P1H01	48	36.0 to 55.2	100	0.32	15.4	3,800	3.83 135	390 1.57	59		

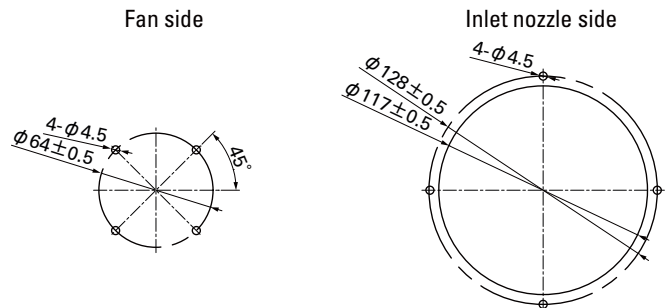
Note 1 : Fan does not rotate when PWM duty cycle is 0% .
Note 2 : Max input of 9TN24P1H01 : 21.4W, 9TN48P1H01 : 22W.

※PWM Frequency : 25kHz

Dimensions (unit: mm)



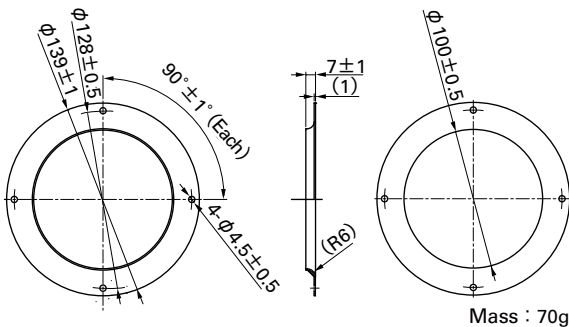
Reference Dimensions of Mounting Holes and Vent Opening (unit: mm)



Options (unit: mm)

Inlet Nozzle

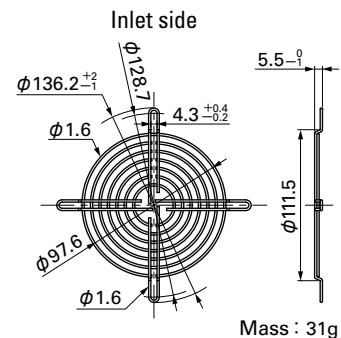
Model : 109-1081 Material : Steel sheet Surface treatment : Electro nickel plating (silver) Color : Steel sheet
: 109-1081H : Steel sheet : Cation electropainting (black)



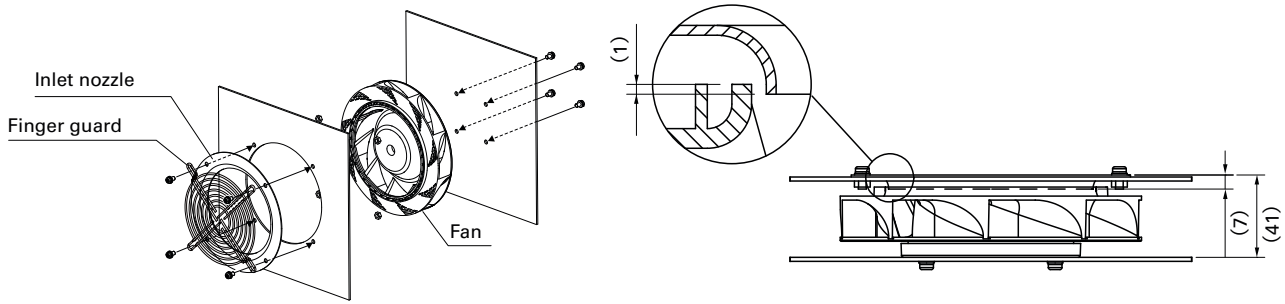
Inlet nozzle: Equipment to be mounted in inlet side for adjusting incoming airflow.

Finger Guards

Model : 109-1104 Surface treatment : Nickel-chrome plating (silver) Color : 109-1104H : Cation electropainting (black)



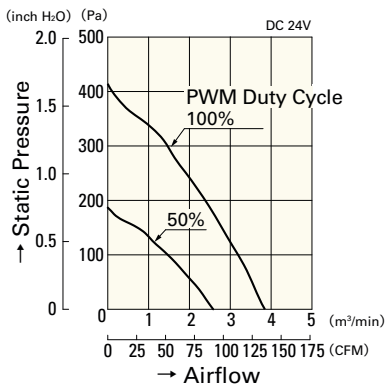
Reference Diagram for Mounting



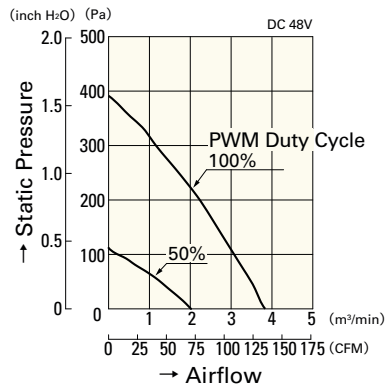
Bolt length: 4 to 6 mm.

Airflow - Static Pressure Characteristics

PWM Duty Cycle

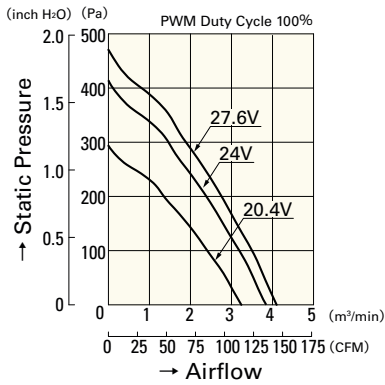


9TN24P1H01

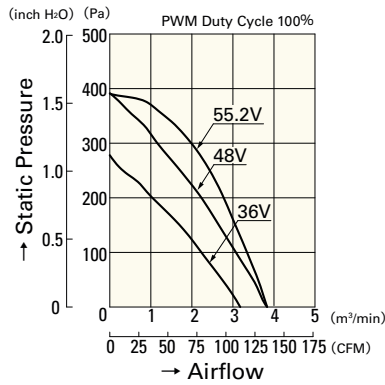


9TN48P1H01

Operating Voltage Range

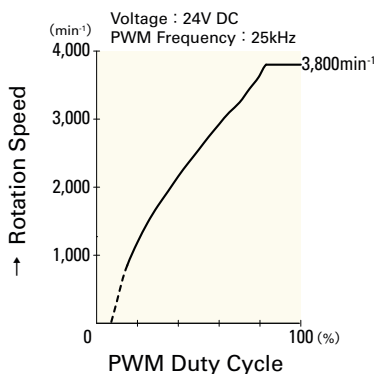


9TN24P1H01

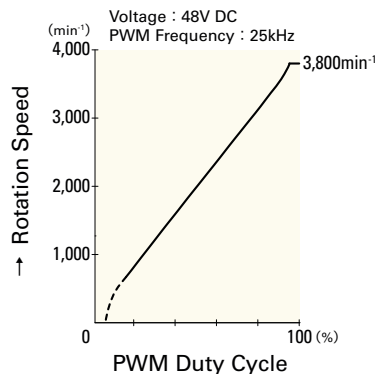


9TN48P1H01

PWM Duty - Speed Characteristics Example



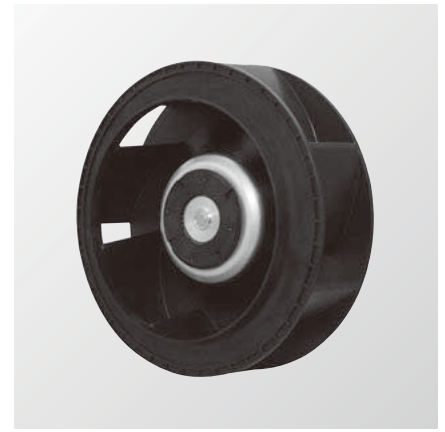
9TN24P1H01



9TN48P1H01

ϕ 175mm

San Ace C175



General Specifications

- Material Motor case: Aluminum,
Impeller: Plastics (Flammability: UL94V-0)
- Expected Life Refer to specifications (L10:Survival rate: 90% at 60°C ,
rated voltage, and continuously run in a free air state)
- Lead Wire ⊕red ⊖black (Sensor) yellow (Control) brown
- Storage Temperature -30°C to +70°C (Non-condensing)

ϕ 175mm × 69mm (Mass : 720g) **9T type**

Specifications

When inlet nozzle [Option (Model : 109-1073)] is mounted. The following nos. have PWM controls and pulse sensors.

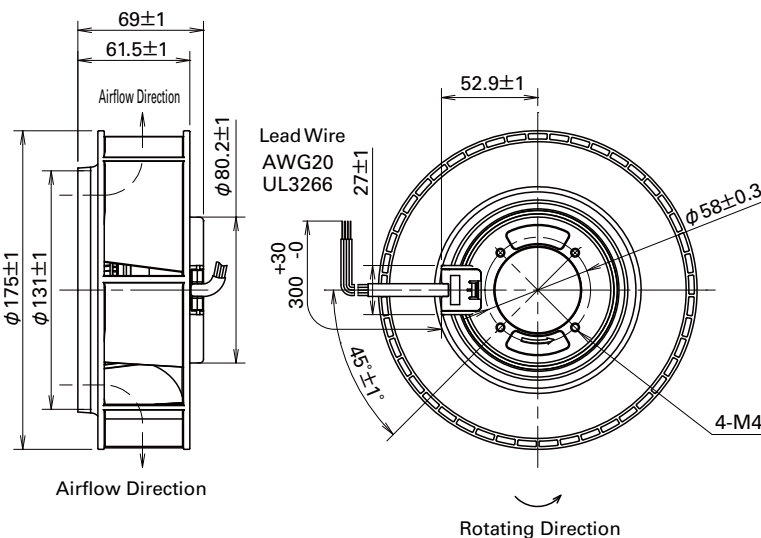
Model No.	Rated Voltage [V]	Operating Voltage Range [V]	PWM duty cycle [※] [%]	Rated Current [A]	Rated Input [W]	Rated Speed [min ⁻¹]	Max. Airflow [m ³ /min] [CFM]	Max. Static Pressure [Pa] [inchH ₂ O]	SPL [dB(A)]	Operating Temperature [°C]	Expected Life [h]
9TGA24P0H001	24	16 to 36	100	4.8	115	4,950	15.3 541	830 3.33	77	-20 to +70	40,000/60°C (70,000/40°C)
			15	0.14	3.36	800	2.5 88.3	21.8 0.088	38		
9TGA48P0G001	48	36 to 72	100	3.5	168	5,700	17.6 622	1,100 4.42	80		
			15	0.07	3.36	800	2.5 88.3	21.8 0.088	38		

Note 1 : Fan does not rotate when PWM duty cycle is 0% .

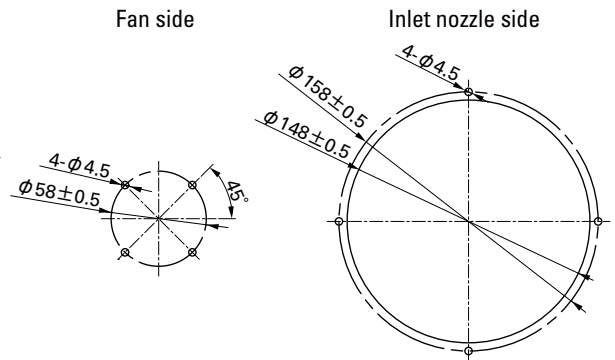
※PWM Frequency : 25kHz

Note 2 : Max input of 9TGA24P0H001: 210 W, 9TGA48P0G001: 325 W at rated voltage.

Dimensions (unit: mm)



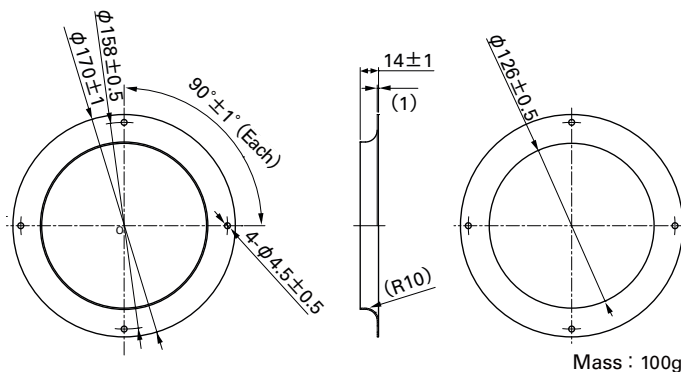
Reference Dimensions of Mounting Holes and Vent Opening (unit: mm)



Options (unit: mm)

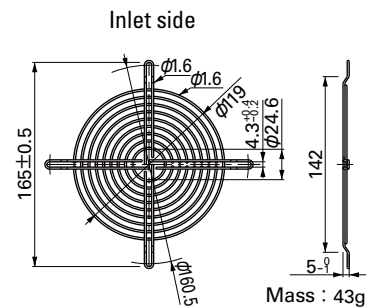
Inlet Nozzle

Model : 109-1073 Material : Steel sheet Surface treatment : Electro nickel plating (silver) Color : (silver)
: 109-1073H : Steel sheet : Cation electropainting (black)



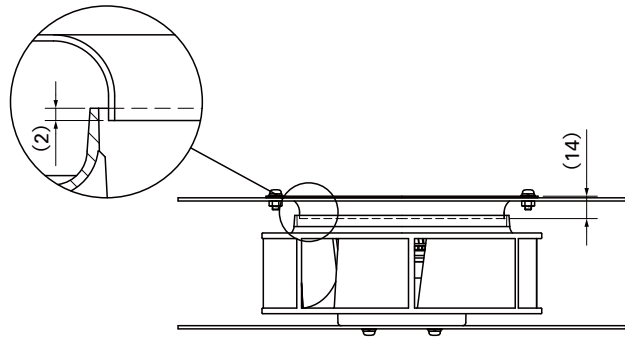
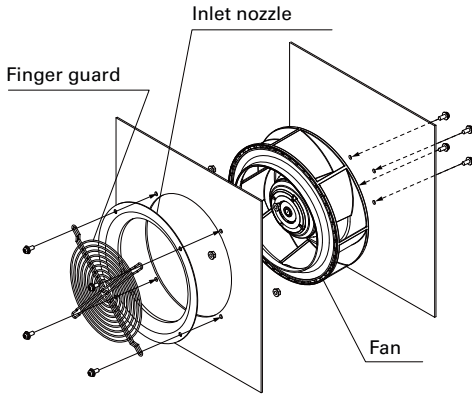
Finger Guards

Model : 109-722 Surface treatment : Nickel-chrome plating (silver) Color : (silver)



Inlet nozzle: Equipment to be mounted in inlet side for adjusting incoming airflow.

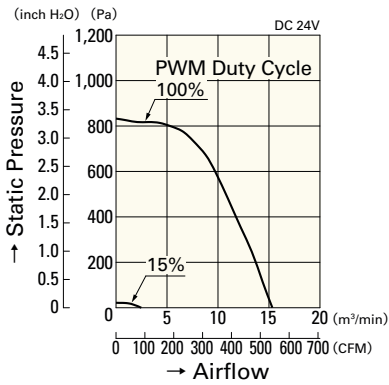
Reference Diagram for Mounting



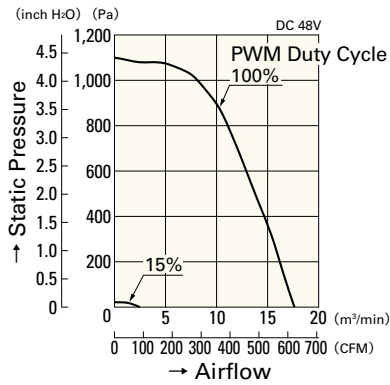
Bolt length: 6 mm max.

Airflow - Static Pressure Characteristics

PWM Duty Cycle

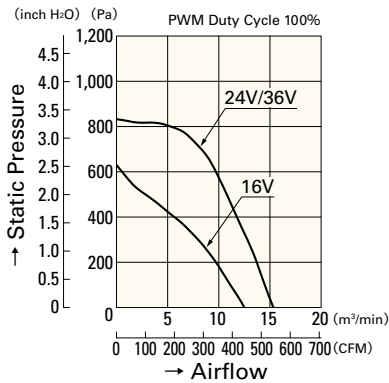


9TGA24P0H001

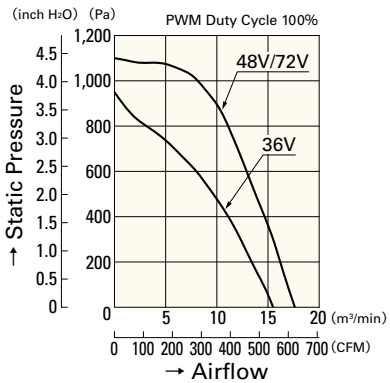


9TGA48P0G001

Operating Voltage Range

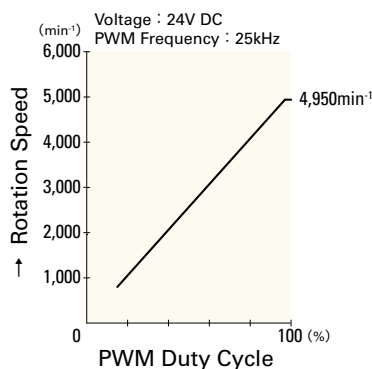


9TGA24P0H001

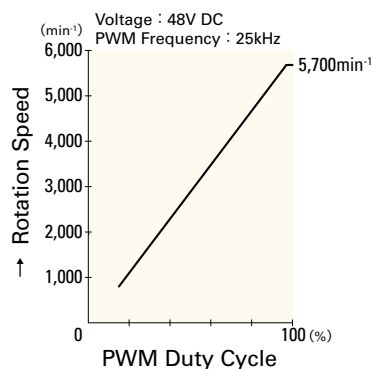


9TGA48P0G001

PWM Duty - Speed Characteristics Example



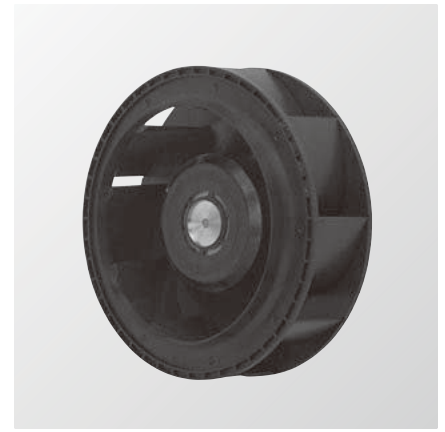
9TGA24P0H001



9TGA48P0G001

φ 175mm

San Ace C175



General Specifications

- Material Motor case: Aluminum,
Impeller: Plastics (Flammability: UL94V-0)
- Expected Life Refer to specifications (L10:Survival rate: 90% at 60°C ,
rated voltage, and continuously run in a free air state)
- Lead Wire ⊕red ⊖black (Sensor) yellow (Control) brown
- Storage Temperature -30°C to +70°C (Non-condensing)

φ 175mm × 69mm (Mass : 750g) **9T type**

Specifications

When inlet nozzle [Option (Model : 109-1073)] is mounted. The following nos. **have PWM controls and pulse sensors.**

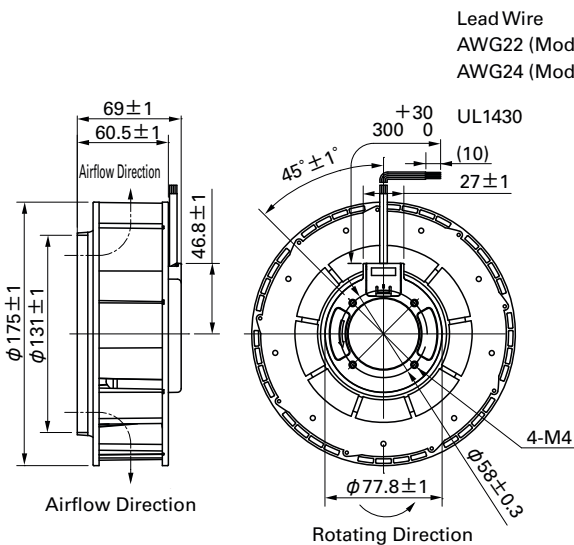
Model No.	Rated Voltage [V]	Operating Voltage Range [V]	PWM duty cycle ^{Note(1)} [%]	Rated Current [A]	Rated Input [W]	Rated Speed [min ⁻¹]	Max. Airflow [m ³ /min] [CFM]	Max. Static Pressure [Pa] [inchH ₂ O]	SPL [dB(A)]	Operating Temperature [°C]	Expected Life [h]
9TG24P0G01	24	20.4 to 27.6	100	3.9	93.6	4,700	14.0 494.7	885 3.55	73	-20 to +60	40,000/60°C
9TG24P0S01				2.35	56.40	3,900	11.6 409.8	609 2.45	69	-20 to +70	
9TG48P0G01	48	36 to 55.2		1.95	93.6	4,700	14.0 494.7	885 3.55	73		

Note 1 : Fan does not rotate when PWM duty cycle is 0% .
Note 2 : Max input is 130 W at rated voltage.

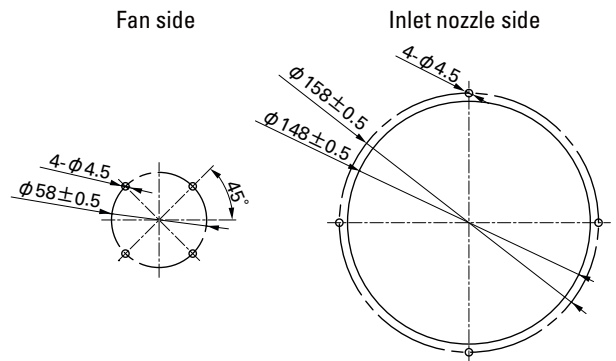
*PWM Frequency : 25kHz

Other sensor specifications are available as options. Please refer to the index (p. 510).

Dimensions (unit: mm)



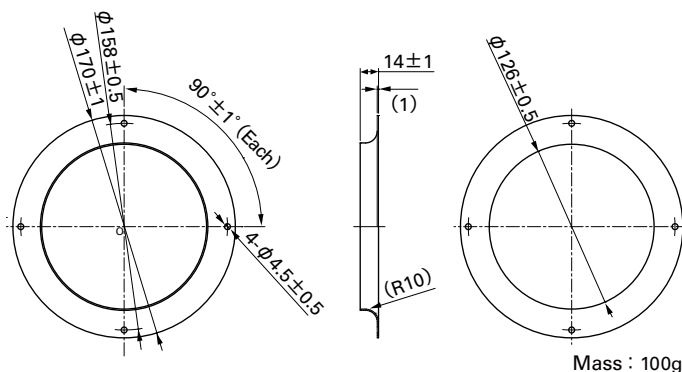
Reference Dimensions of Mounting Holes and Vent Opening (unit: mm)



Options (unit: mm)

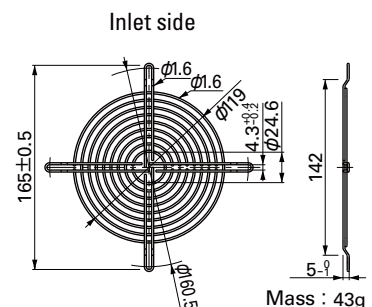
Inlet Nozzle

Model : 109-1073 Material : Steel sheet Surface treatment : Electro nickel plating (silver) Color : (silver)
: 109-1073H : Steel sheet : Cation electropainting (black)



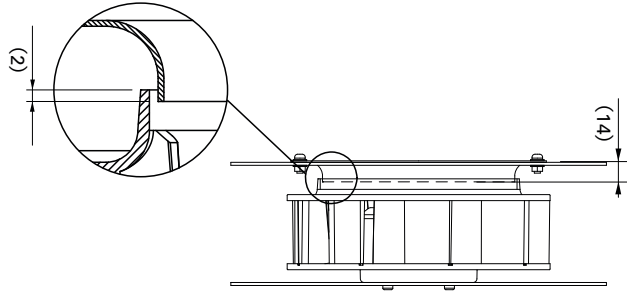
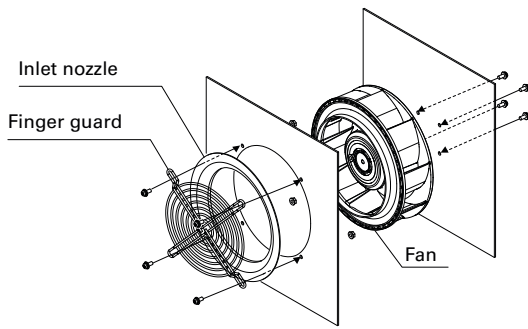
Finger Guards

Model : 109-722 Surface treatment : Nickel-chrome plating (silver) Color : (silver)



Inlet nozzle: Equipment to be mounted in inlet side for adjusting incoming airflow.

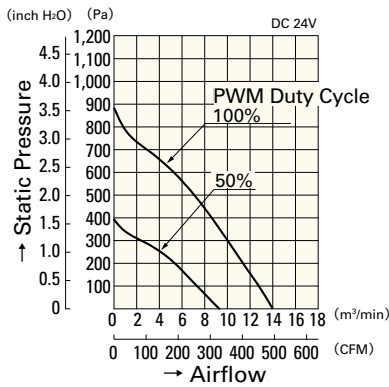
Reference Diagram for Mounting



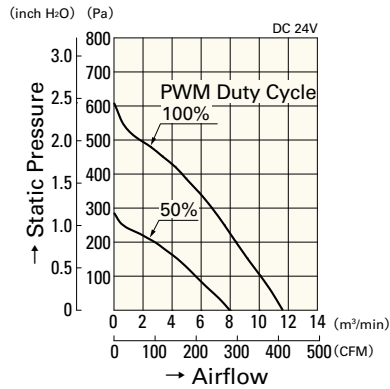
Bolt length: 4 to 6 mm.
To prevent bolts from loosening, use plain washers and spring washers.

Airflow - Static Pressure Characteristics

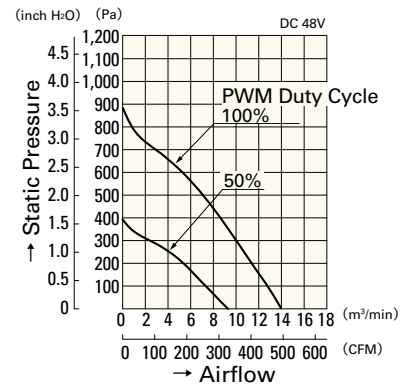
PWM Duty Cycle



9TG24P0G01

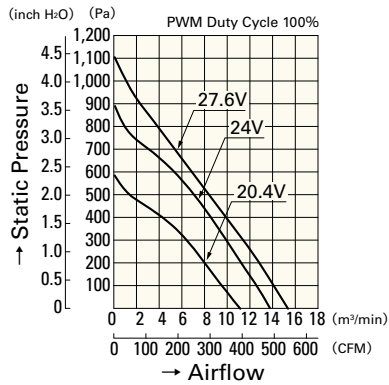


9TG24P0S01

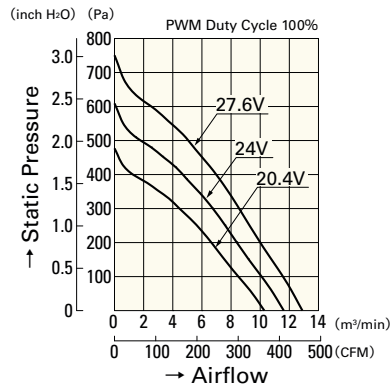


9TG48P0G01

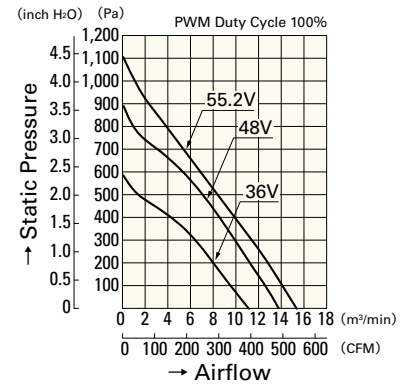
Operating Voltage Range



9TG24P0G01

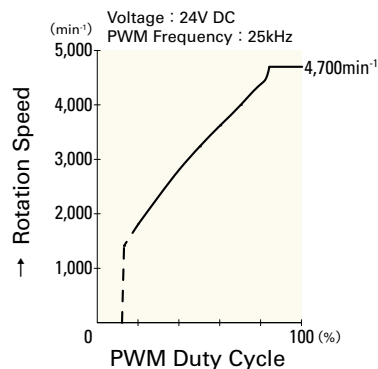


9TG24P0S01

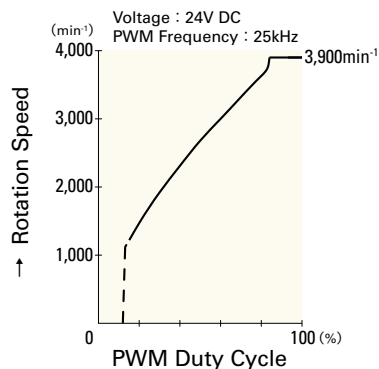


9TG48P0G01

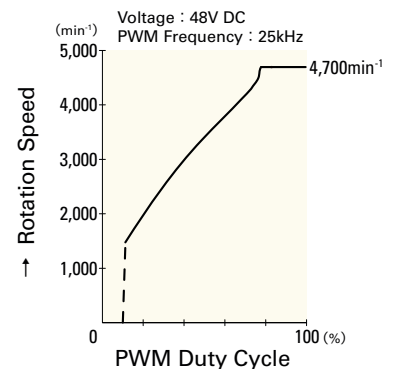
PWM Duty - Speed Characteristics Example



9TG24P0G01



9TG24P0S01



9TG48P0G01

ϕ **221**mm

San Ace C221



General Specifications

- Material Motor case: Aluminum,
Impeller: Plastics (Flammability: UL94V-0)
- Expected Life Refer to specifications (L10:Survival rate: 90% at 60°C ,
rated voltage, and continuously run in a free air state)
- Lead Wire ⊕red ⊖black (Sensor) yellow (Control) brown
- Storage Temperature -30°C to +70°C (Non-condensing)

ϕ **221**mm×**71**mm (Mass : 1,050g) **9T** type

Specifications

When inlet nozzle [Option (Model : 109-1135)] is mounted. The following nos. **have PWM controls and pulse sensors.**

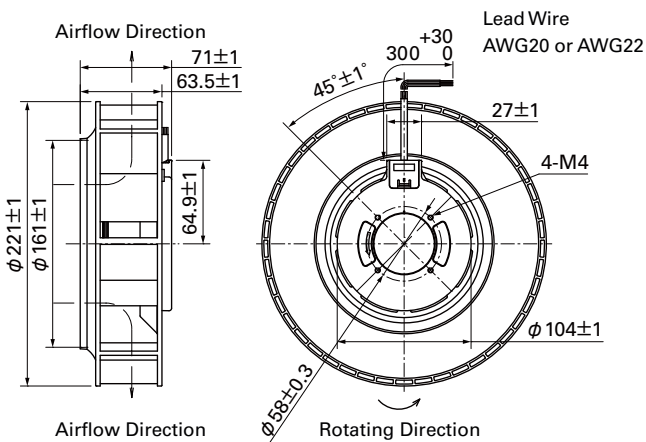
Model No.	Rated Voltage [V]	Operating Voltage Range [V]	PWM duty cycle ^{Max(FIR)} [%]	Rated Current [A]	Rated Input [W]	Rated Speed [min ⁻¹]	Max. Airflow [m ³ /min] [CFM]	Max. Static Pressure [Pa] [inchH ₂ O]	SPL [dB(A)]	Operating Temperature [°C]	Expected Life [h]
9TP24P0H001	24	16 to 36	100	3.2	76.8	3,050	17.6 622	530 2.13	71	-20 to +70	40,000/60°C (70,000/40°C)
			15	0.4	9.6	1,000	5.75 203	57.4 0.23	53		
9TP48P0G001	48	36 to 72	100	2.75	132	3,650	21 742	760 3.05	74	-20 to +60	
			15	0.2	9.6	1,000	5.75 203	57.4 0.23	53		
9TP48P0H001	48	36 to 72	100	1.6	76.8	3,050	17.6 622	530 2.13	71	-20 to +70	
			15	0.2	9.6	1,000	5.75 203	57.4 0.23	53		

Note 1 : Fan does not rotate when PWM duty cycle is 0%.

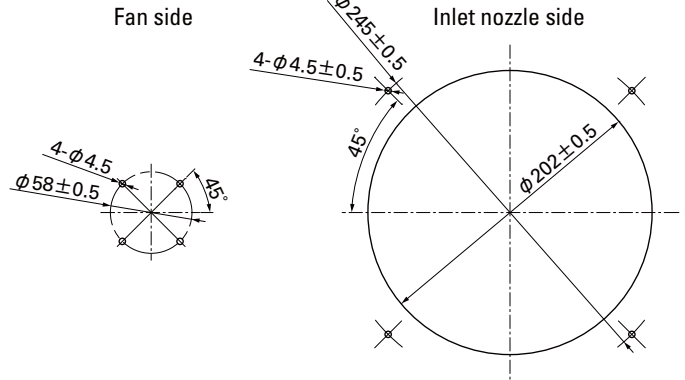
※PWM Frequency : 25kHz

Note 2 : Max input of 9TP48P0G001: 280 W, 9TP24P0H001 / 9TP48P0H001: 160 W at rated voltage.

Dimensions (unit: mm)



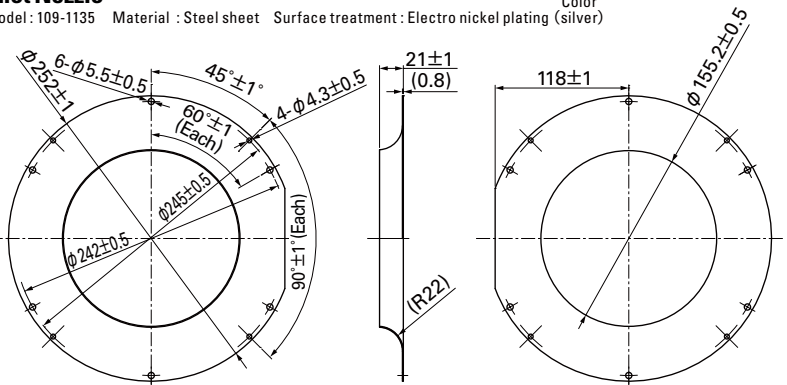
Reference Dimensions of Mounting Holes and Vent Opening (unit: mm)



Options (unit: mm)

Inlet Nozzle

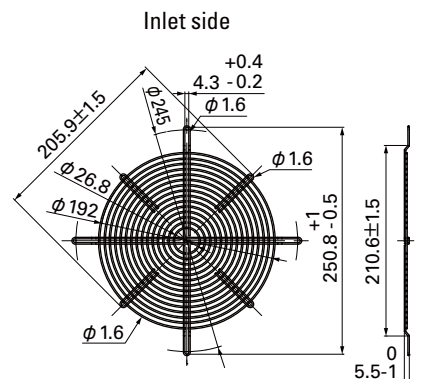
Model : 109-1135 Material : Steel sheet Surface treatment : Electro nickel plating Color (silver)



Mass: 230g

Finger Guards

Model : 109-1138 Surface treatment : Nickel-chrome plating Color (silver)

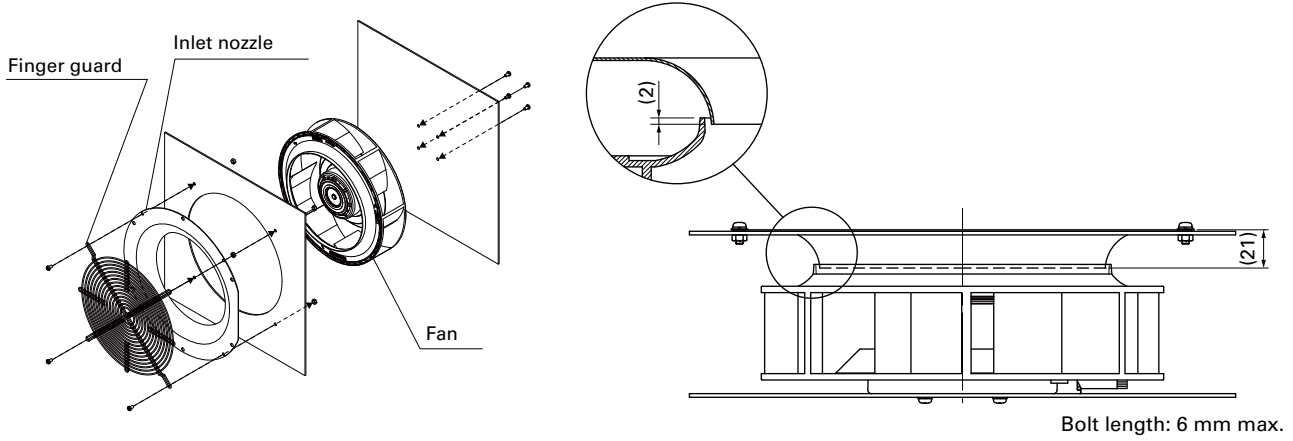


Mass: 105g

Inlet nozzle: Equipment to be mounted in inlet side for adjusting incoming airflow.

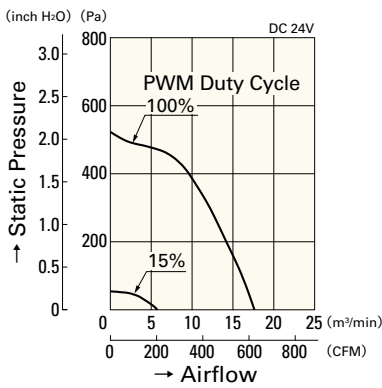
Reference Diagram for Mounting

Bracket-mounted model of this fan is available. For details, please refer to pp. 387 to 388.

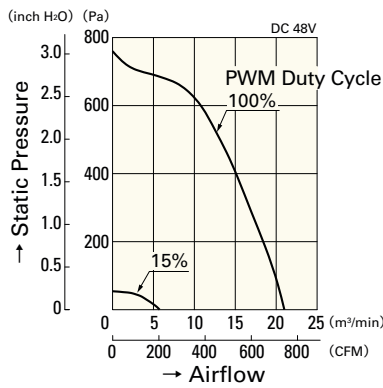


Airflow - Static Pressure Characteristics

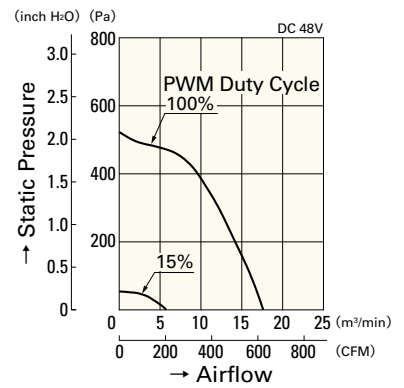
PWM Duty Cycle



9TP24P0H001

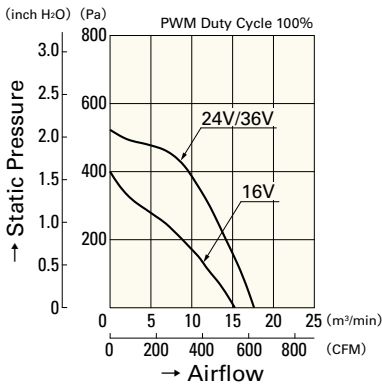


9TP48P0G001

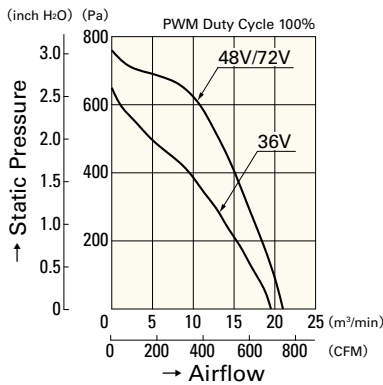


9TP48P0H001

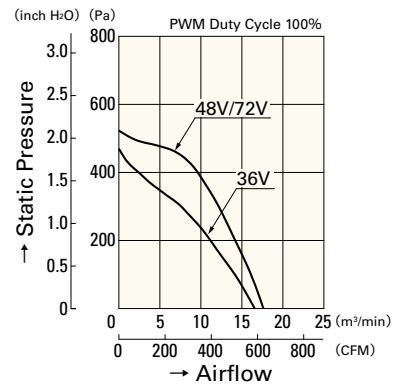
Operating Voltage Range



9TP24P0H001

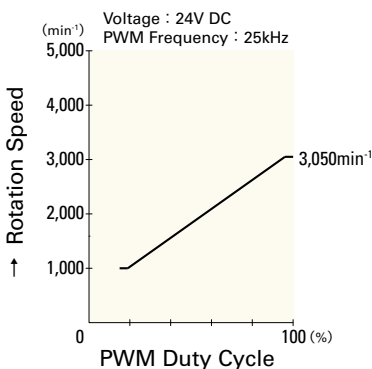


9TP48P0G001

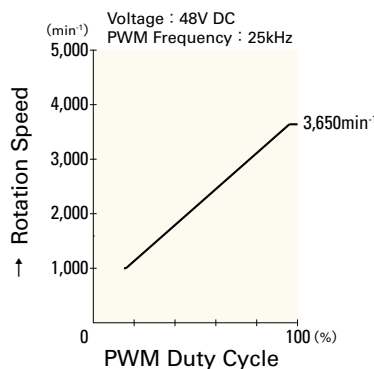


9TP48P0H001

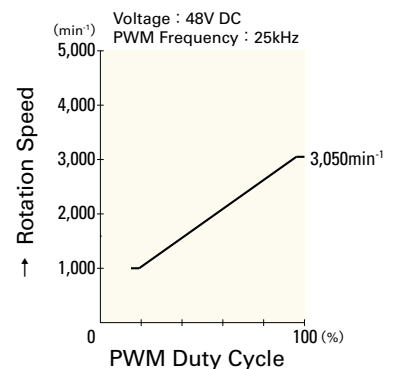
PWM Duty - Speed Characteristics Example



9TP24P0H001



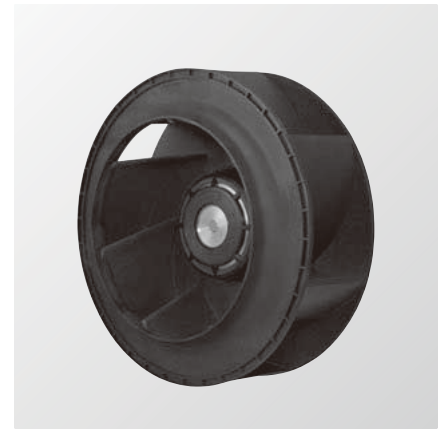
9TP48P0G001



9TP48P0H001

φ 225mm

San Ace C225



General Specifications

- Material Motor case: Aluminum,
Impeller: Plastics (Flammability: UL94V-0)
- Expected Life Refer to specifications (L10:Survival rate: 90% at 60°C ,
rated voltage, and continuously run in a free air state)
- Lead Wire ⊕red ⊖black (Sensor) yellow (Control) brown
- Storage Temperature -30°C to +70°C (Non-condensing)

φ225mm×99mm (Mass : 1,220g) **9T type**

Specifications

When inlet nozzle [Option (Model : 109-1134)] is mounted. The following nos. **have PWM controls and pulse sensors.**

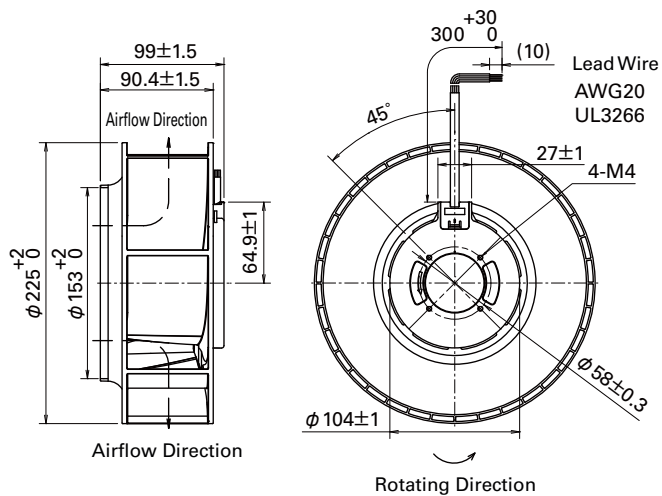
Model No.	Rated Voltage [V]	Operating Voltage Range [V]	PWM duty cycle _{Max(FIR)} [%]	Rated Current [A]	Rated Input [W]	Rated Speed [min ⁻¹]	Max. Airflow [m ³ /min] [CFM]	Max. Static Pressure [Pa] [inchH ₂ O]	SPL [dB(A)]	Operating Temperature [°C]	Expected Life [h]
9TS48P0G001	48	36 to 72	100	3.65	175.2	3,550	28.1 992	861 3.46	74.5	-20 to +60	40,000/60°C (70,000/40°C)
			15	0.24	11.5	1,000	7.85 277	68.5 0.28	52.0		
9TS48P0H001			100	2.08	99.8	2,900	22.7 802	590 2.37	70.5	-20 to +70	
			15	0.24	11.5	1,000	7.85 277	68.5 0.28	52.0		

Note 1 : Fan does not rotate when PWM duty cycle is 0% .

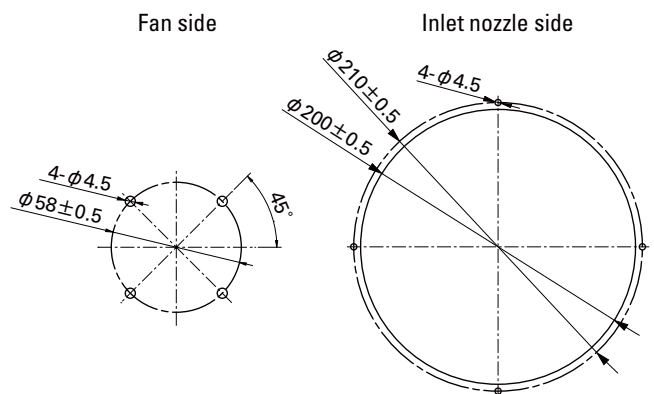
※PWM Frequency : 25kHz

Note 2 : Max input of 9TS48P0G001: 380 W, 9TS48P0H001: 200 W at rated voltage.

Dimensions (unit: mm)



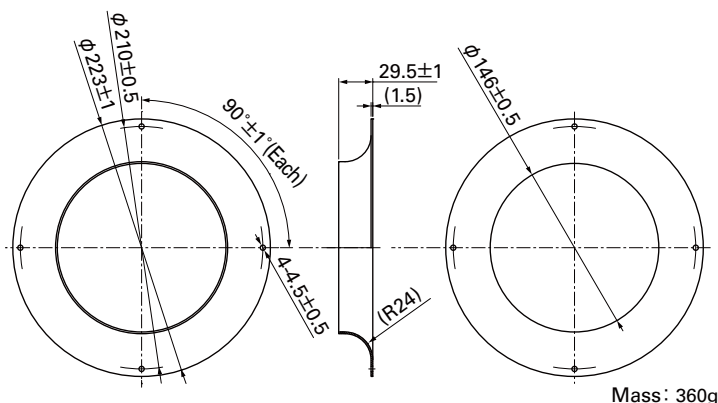
Reference Dimensions of Mounting Holes and Vent Opening (unit: mm)



Options (unit: mm)

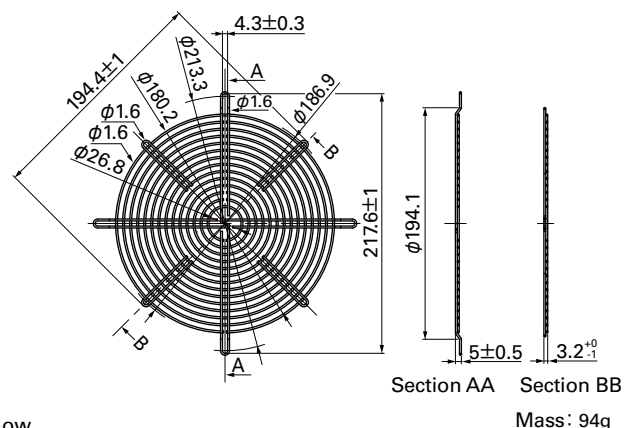
Inlet Nozzle

Model : 109-1134 Material : Steel sheet Surface treatment : Electro nickel plating (silver) Color (silver)



Finger Guards

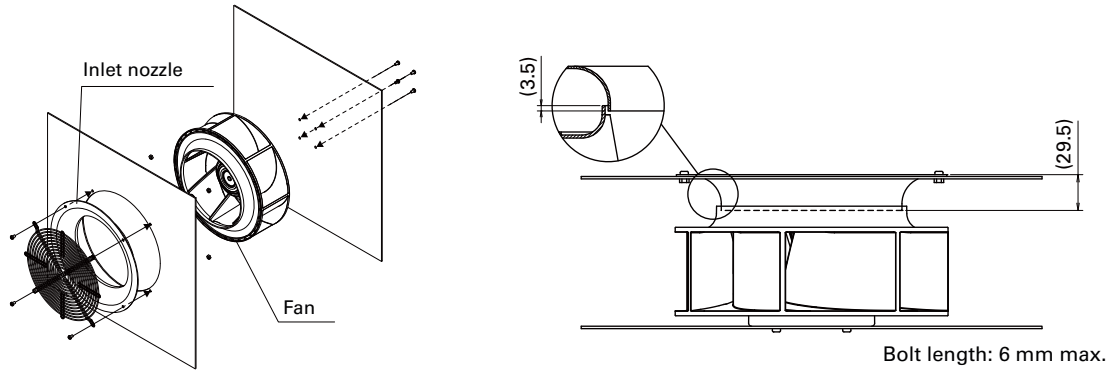
Model : 109-1137 Surface treatment : Nickel-chrome plating (silver) Color (silver)



Inlet nozzle: Equipment to be mounted in inlet side for adjusting incoming airflow.

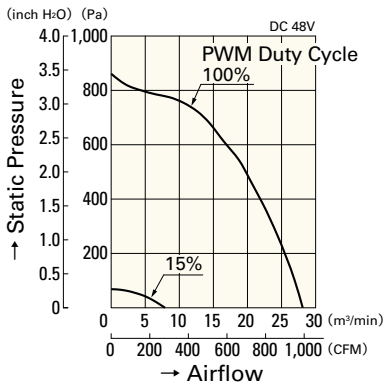
Reference Diagram for Mounting

Bracket-mounted model of this fan is available. For details, please refer to pp. 389 to 390.

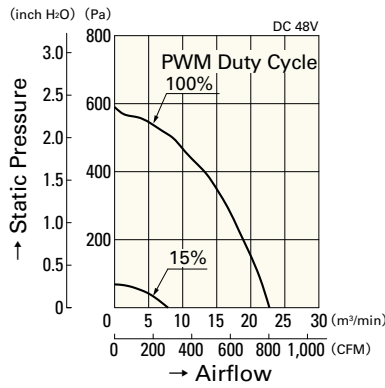


Airflow - Static Pressure Characteristics

PWM Duty Cycle

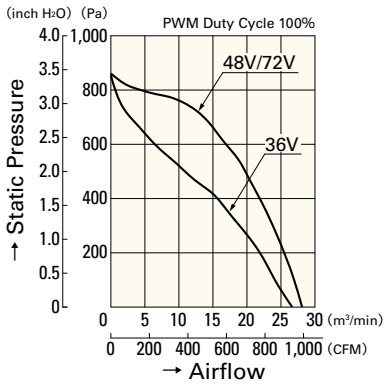


9TS48P0G001

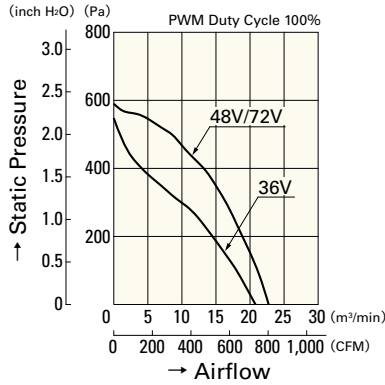


9TS48P0H001

Operating Voltage Range

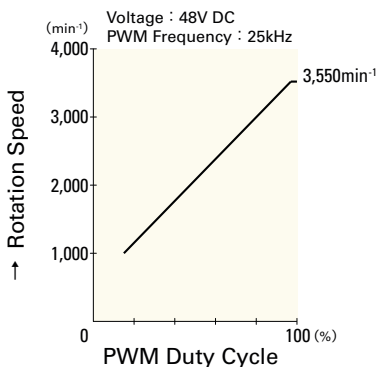


9TS48P0G001

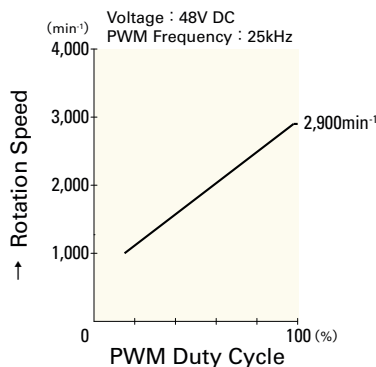


9TS48P0H001

PWM Duty - Speed Characteristics Example



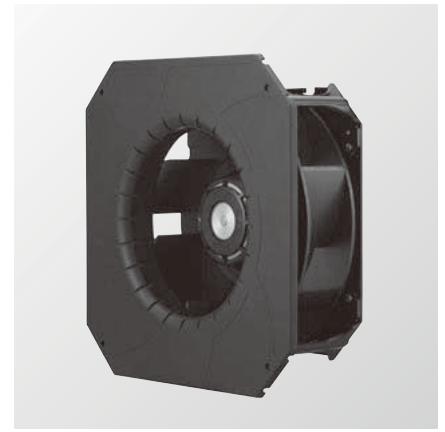
9TS48P0G001



9TS48P0H001

270mm sq.

San Ace C270



General Specifications

- Material Motor case: Aluminum,
Impeller: Plastics (Flammability: UL94V-0)
Bracket: Aluminum, Plastics (Flammability: UL94V-0)
- Expected Life Refer to specifications (L10:Survival rate: 90% at 60°C ,
rated voltage, and continuously run in a free air state)
- Lead Wire ⊕red ⊖black (Sensor) yellow (Control) brown
- Storage Temperature -30°C to +70°C (Non-condensing)

270mm×270mm×99mm (Mass : 1,700g) **9B1T type**

Specifications

The following nos. have PWM controls and pulse sensors.

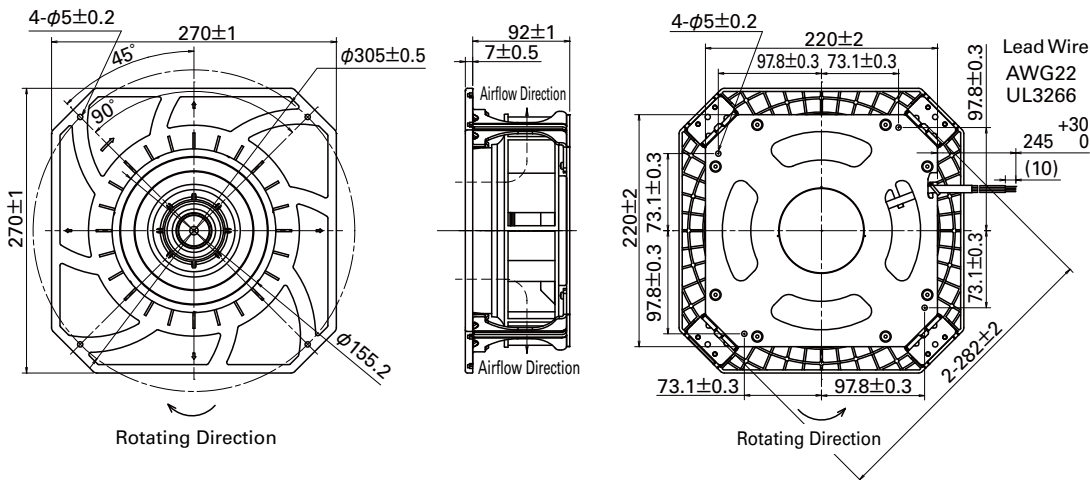
Model No.	Rated Voltage [V]	Operating Voltage Range [V]	PWM duty cycle _{Non(0%)} [%]	Rated Current [A]	Rated Input [W]	Rated Speed [min ⁻¹]	Max. Airflow [m ³ /min] [CFM]	Max. Static Pressure [Pa] [inchH ₂ O]	SPL [dB(A)]	Operating Temperature [°C]	Expected Life [h]
9B1TP24P0H001	24	16 to 36	100	3.2	76.8	3,050	17.6 622	530 2.13	71	-20 to +70	40,000/60°C (70,000/40°C)
			15	0.4	9.6	1,000	5.75 203	57.4 0.23	53		
9B1TP48P0G001	48	36 to 72	100	2.75	132	3,650	21.0 742	760 3.05	74	-20 to +60	
			15	0.2	9.6	1,000	5.75 203	57.4 0.23	53		
9B1TP48P0H001			100	1.6	76.8	3,050	17.6 622	530 2.13	71	-20 to +70	
			15	0.2	9.6	1,000	5.75 203	57.4 0.23	53		

Note 1 : Fan does not rotate when PWM duty cycle is 0% .

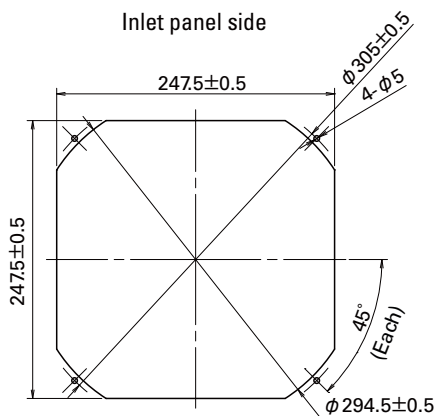
※PWM Frequency : 25kHz

Note 2 : Max input of 9B1TP24P0H001/9B1TP48P0H001 : 160W. 9B1TP48P0G001 : 280W at rated voltage.

Dimensions (unit: mm)



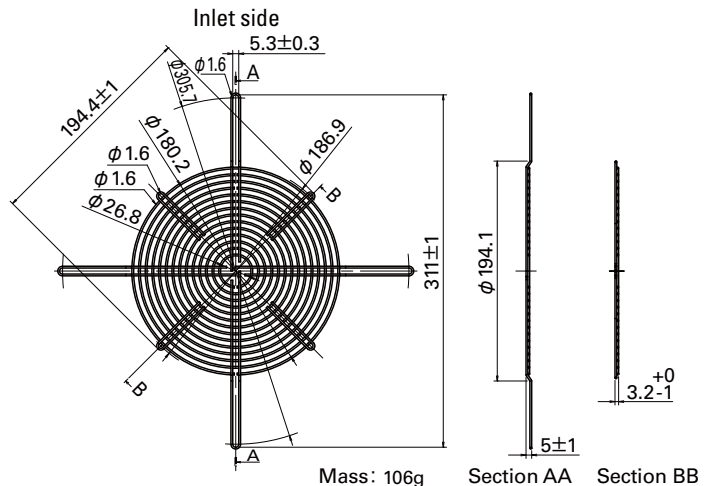
Reference Dimensions of Mounting Holes and Opening (unit: mm)



Options (unit: mm)

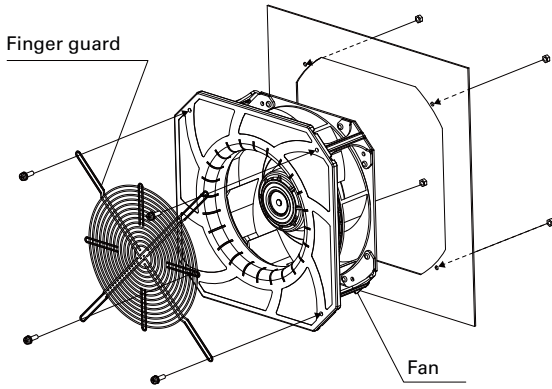
Finger Guards

Model : 109-1146 Surface treatment : Nickel-chrome plating (silver) Color



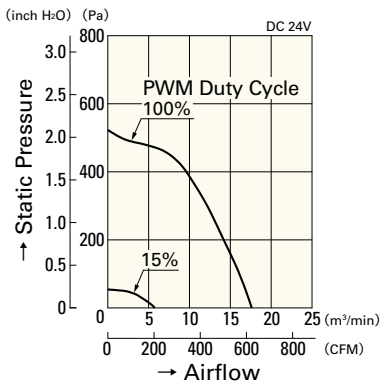
Reference Diagram for Mounting

Finger guard 109-1146 should be mounted with four holes as in the drawing.

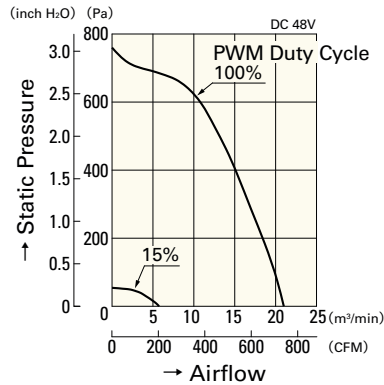


Airflow - Static Pressure Characteristics

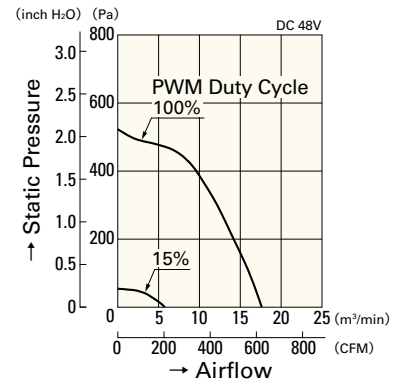
PWM Duty Cycle



9B1TP24P0H001

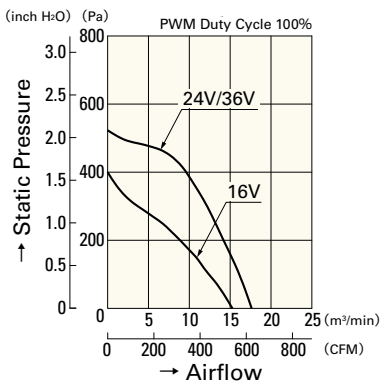


9B1TP48P0G001

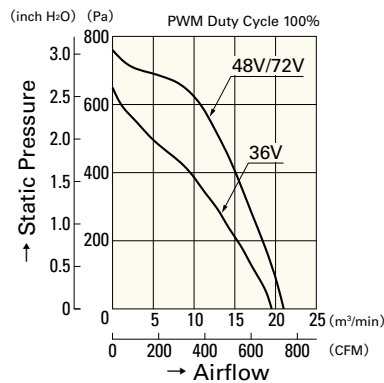


9B1TP48P0H001

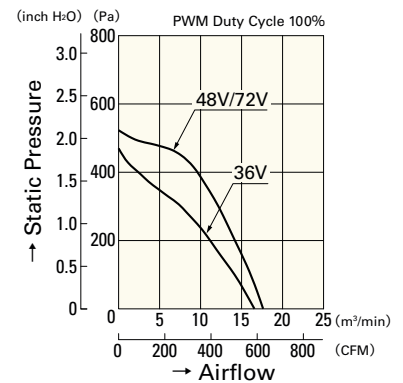
Operating Voltage Range



9B1TP24P0H001

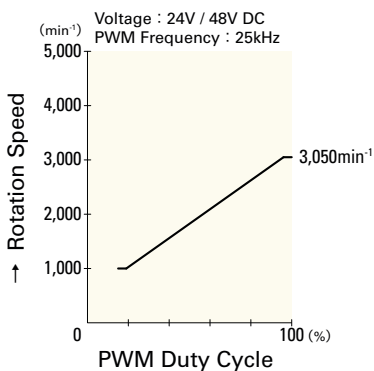


9B1TP48P0G001

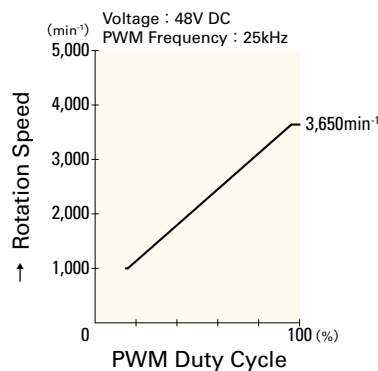


9B1TP48P0H001

PWM Duty - Speed Characteristics Example



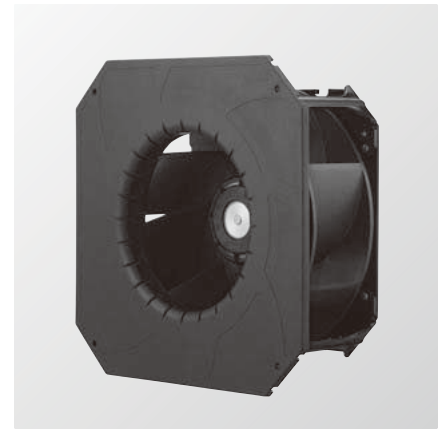
9B1TP24P0H001
9B1TP48P0H001



9B1TP48P0G001

270mm sq.

San Ace C270



General Specifications

- Material Motor case: Aluminum,
Impeller: Plastics (Flammability: UL94V-0)
Bracket: Aluminum, Plastics (Flammability: UL94V-0)
- Expected Life Refer to specifications (L10:Survival rate: 90% at 60°C ,
rated voltage, and continuously run in a free air state)
- Lead Wire ⊕red ⊖black (Sensor) yellow (Control) brown
- Storage Temperature -30°C to +70°C (Non-condensing)

270mm×270mm×119mm (Mass : 1,920g) **9B1T type**

Specifications

The following nos. have PWM controls and pulse sensors.

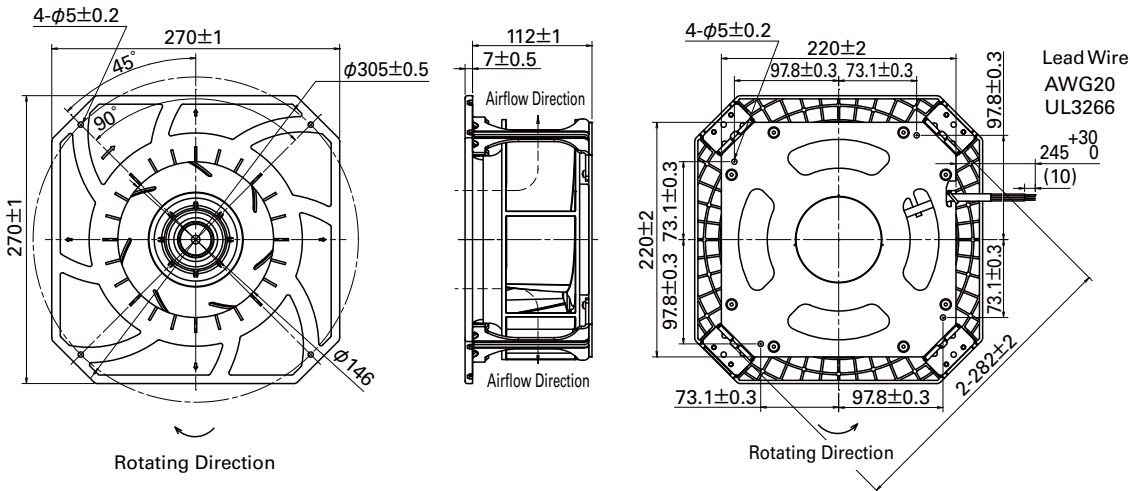
Model No.	Rated Voltage [V]	Operating Voltage Range [V]	PWM duty cycle _{Max(FIR)} [%]	Rated Current [A]	Rated Input [W]	Rated Speed [min ⁻¹]	Max. Airflow [m ³ /min] [CFM]	Max. Static Pressure [Pa] [inchH ₂ O]	SPL [dB(A)]	Operating Temperature [°C]	Expected Life [h]
9B1TS48P0G001	48	36 to 72	100	3.65	175.2	3,550	28.1 992	861 3.46	74.5	-20 to +60	40,000/60°C (70,000/40°C)
			15	0.24	11.5	1,000	7.85 277	68.5 0.28	52.0		
9B1TS48P0H001			100	2.08	99.8	2,900	22.7 802	590 2.37	70.5	-20 to +70	
			15	0.24	11.5	1,000	7.85 277	68.5 0.28	52.0		

Note 1 : Fan does not rotate when PWM duty cycle is 0% .

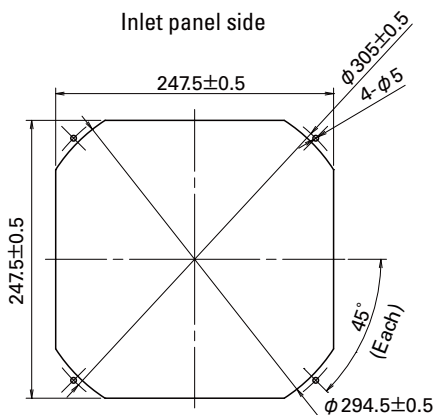
※PWM Frequency : 25kHz

Note 2 : Max input of 9B1TS48P0G001 : 380W, 9B1TS48P0H001 : 200W at rated voltage.

Dimensions (unit: mm)



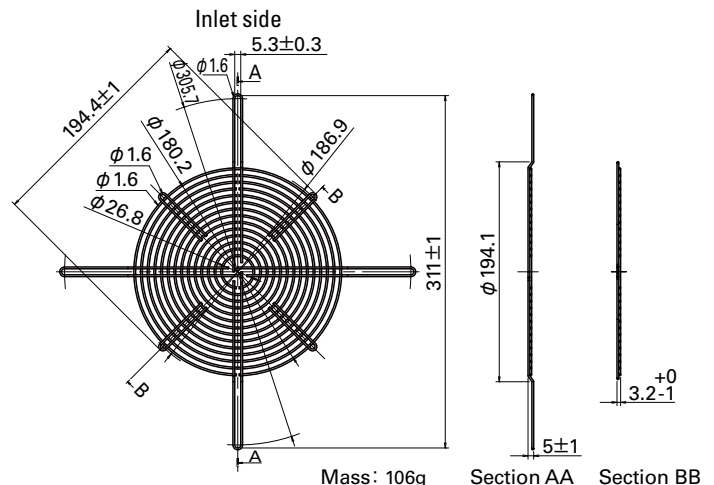
Reference Dimensions of Mounting Holes and Opening (unit: mm)



Options (unit: mm)

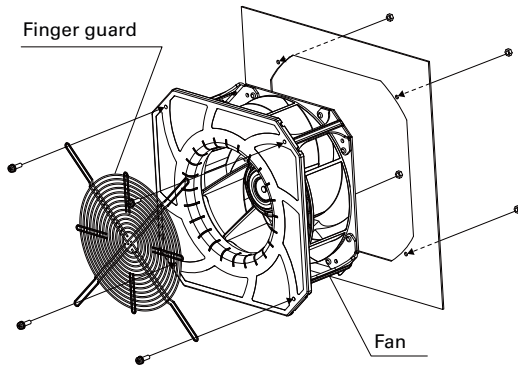
Finger Guards

Model : 109-1146 Surface treatment : Nickel-chrome plating (silver) Color



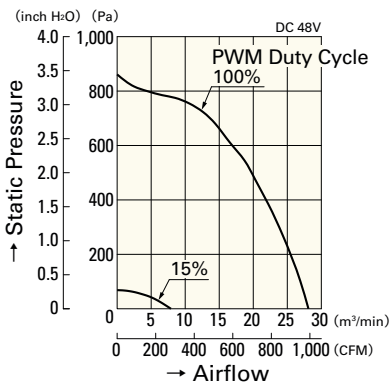
Reference Diagram for Mounting

Finger guard 109-1146 should be mounted with four holes as in the drawing.

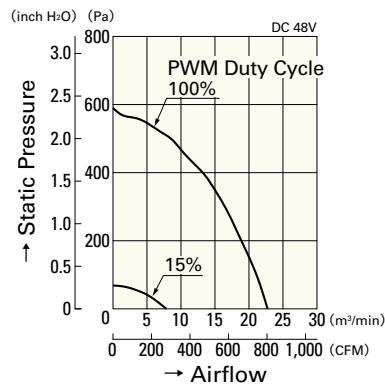


Airflow - Static Pressure Characteristics

PWM Duty Cycle

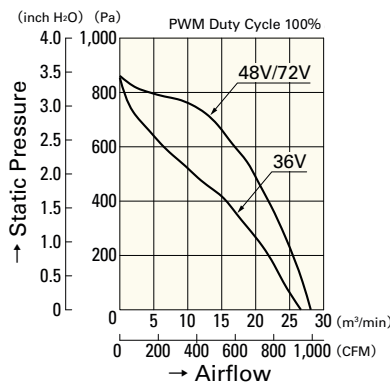


9B1TS48P0G001

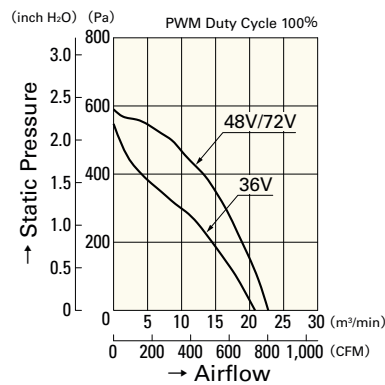


9B1TS48P0H001

Operating Voltage Range

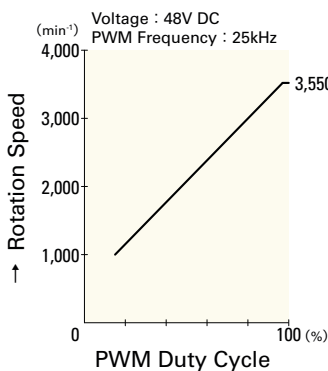


9B1TS48P0G001

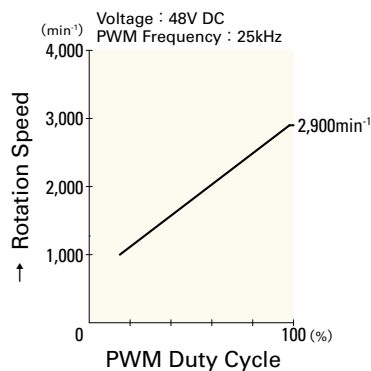


9B1TS48P0H001

PWM Duty - Speed Characteristics Example



9B1TS48P0G001

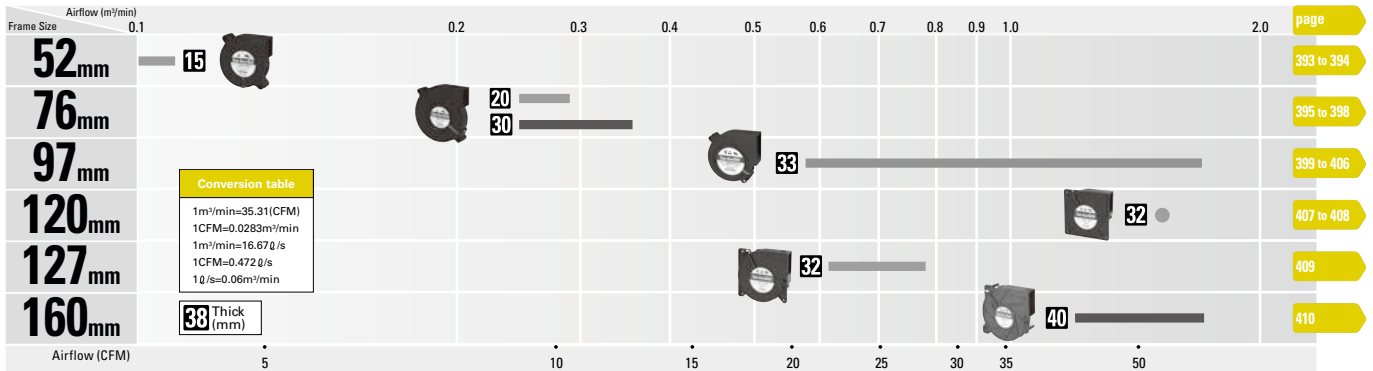


9B1TS48P0H001

Blower

Cooling fan specialized for high static pressure

Domain Diagram



Model Numbering System

Not every combination of the following codes or characters is available. Contact us for an available combination.

109B	C	12	H	C	2	-1
Type name / frame material 109B / Plastics 9B / Plastics	Frame size C : 52mm F : 120mm D : 76mm J : 127mm M : 97mm G : 160mm	Voltage 12 : 12V 24 : 24V etc	Speed code F,G,H,K,M,S etc	Sensor specifications A : Without a sensor C : With a pulse sensor D : With a lock sensor	Frame thickness 1 : 40mm thick 2 : 30mm thick, 32mm thick, 33mm thick 7 : 15mm thick 6 : 20mm thick	Individual customer's spec

9B	MB	12	G	2	01	-1
Type name / frame material 9B / Plastics	Frame size MB : 97mm FB : 120mm	Voltage 12 : 12V 24 : 24V	Speed code G / S / H etc	Frame thickness 2 : 32mm thick / 33mm thick	Sensor specifications 01 : With a pulse sensor 02 : Without a sensor	Individual customer's spec

Fans with PWM control function

Example :

9B	MB	12	P	2	G	01
Type name / frame material 9B / Plastics	Frame size MB : 97mm FB : 120mm	Voltage 12 : 12V	PWM control function	Frame thickness 2 : 32mm thick / 33mm thick	Speed code	Individual customer's spec 2 or 3 digits

How to Read Specifications

DC Fan											DC	
Model No.	① Rated Voltage [V]	② Operating Voltage Range [V]	③ Rated Current [A]	④ Rated Input [W]	⑤ Rated Speed [min ⁻¹]	⑥ Max. Airflow [m ³ /min] [CFM]		⑦ Max. Static Pressure [Pa] [inchH ₂ O]		⑧ SPL [dB(A)]	⑨ Operating Temperature [°C]	⑩ Expected Life [h]
9GA0412G7001	12	7 to 13.8	0.17	2.04	13,100	0.36	12.7	192	0.77	42	-20 to +70	40,000/60°C (70,000/40°C)

- ① Rated Voltage This is the necessary voltage to drive the fan. 12VDC, 24VDC and 48VDC are available.
- ② Operating Voltage Range... The voltage range over which fan operation is guaranteed
- ③ Rated Current The current value during the fan's rated operation without load
- ④ Rated Input The input value during the fan's rated operation without load
- ⑤ Rated Speed The rotating speed during the fan's rated operation without load
- ⑥ Max. Airflow The maximum air volume that the fan can output during rated operation (according to the company's dual-chamber device).
The volume of air generated by the fan in a given time period
- ⑦ Max. Static Pressure The maximum static pressure value that the fan can output during rated operation (according to the company's dual-chamber device). The static pressure is the fan's force to propel air by overcoming the resistance of the device that uses the fan when it propels air.
- ⑧ SPL..... "SPL" is Sound Pressure Level. The noise level during the fan's rated operation.
Please refer to the technical material section for the method used to measure the noise level.
- ⑨ Operating Temperature The temperature range over which fan operation is guaranteed (Non- condensing)
- ⑩ Expected Life The fan's expected operating life when the fan operates continuously at the rated voltage at a temperature of 60°C and at relative humidity of 90%. Expected life at 40°C ambient is just reference value.
Please refer to the technical material section for the expected operating life.

DC Fan Common Specifications

Material Frame,Impeller:Plastics / Frame:Aluminum,Impeller:Plastics

* For details, refer to the appropriate page.

Expected LifeVaries for each model (L10:Survival rate:90% at 60°C ,rated voltage, and continuously run in a free air state)

* Splash proof fan: Varies for each model (Indoor, L10:Survival rate:90% at 60°C ,rated voltage, and continuously run in a free air state)

Motor ProtectionBurnout protection at locked rotor condition and Reverse polarity protection

Dielectric StrengthAC50/60Hz 500VAC 1minute(between lead conductor and frame)

Insulation Resistance10M Ω or more at 500VDC megger (between lead conductor and frame)

Sound Pressure Level(SPL) ..Expressed as the value at 1m from air inlet side

Lead WireFor details, refer to the appropriate page.

Overheating protection function

Protection Functions:

If the fan blades are restricted, an overcurrent occurs and leads to a rise in the fan coil temperature. This can result in reduced performance, damage, or a fire. To prevent this from occurring, SANYO DENKI's fans incorporate an overheating protection function. Refer to the catalog for the types of protection functions.

Burnout protection function at locked rotor condition

- Current cutoff system

If the fan blades are restricted, the coil current is cut off at regular cycles to prevent overheating of the coil. When the hindrance is removed, the fan restarts automatically.

Reverse polarity protection function

No problem about fan even if positive & negative lead are connected in reverse.

However, when wiring fans with sensors or PWM speed control function, connecting positive and negative leads in reverse may damage the fans.

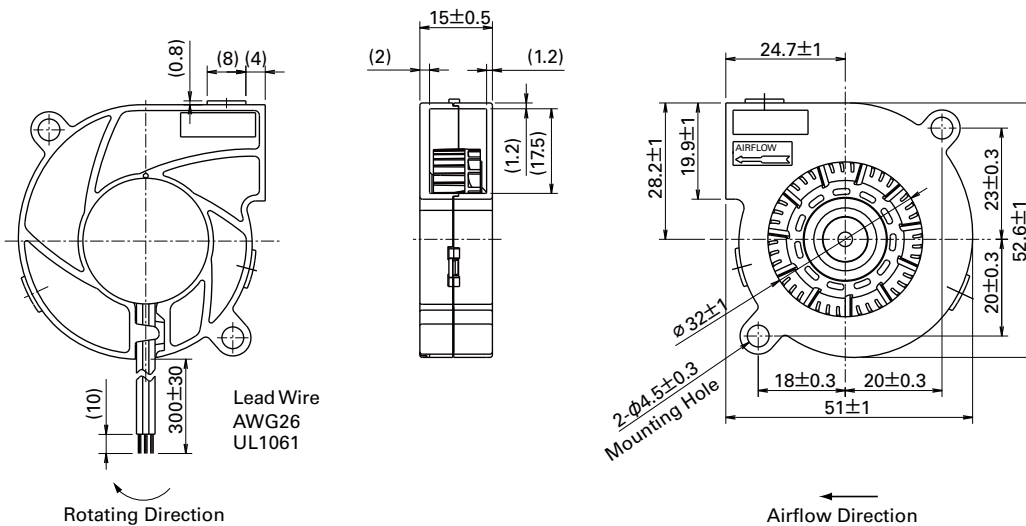
52mm**San Ace B52****General Specifications**

- Material Frame: Plastics (Flammability: UL94V-0),
Impeller: Plastics (Flammability: UL94V-0)
- Expected Life Refer to specifications (L10:Survival rate: 90% at 60°C ,
rated voltage, and continuously run in a free air state)
- Lead Wire ⊕red ⊖black (Sensor) yellow
- Storage Temperature -30°C to +70°C (Non-condensing)

52mm × 15mm [Mass : 33g] **9BC type****Specifications** The following nos. **have pulse sensors.**

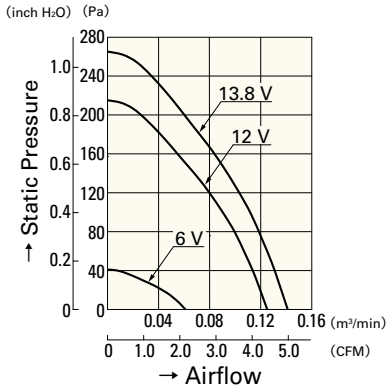
Model No.	Rated Voltage [V]	Operating Voltage Range [V]	Rated Current [A]	Rated Input [W]	Rated Speed [min ⁻¹]	Max. Airflow [m ³ /min] [CFM]	Max. Static Pressure [Pa] [inchH ₂ O]	SPL [dB(A)]	Operating Temperature [°C]	Expected Life [h]
109BC12GC7-1	12	6 to 13.8	0.12	1.44	6,200	0.125 4.4	215 0.86	43	-20 to +70	40,000/60°C (70,000/40°C)
109BC12HC7-1			0.10	1.20	5,600	0.112 4.0	165 0.66	40		
109BC12FC7-1			0.08	0.96	5,100	0.101 3.6	130 0.52	38		
109BC12MC7-1			0.06	0.72	4,600	0.091 3.2	100 0.40	35		
109BC24GC7-1	24	12 to 27.6	0.07	1.68	6,200	0.125 4.4	215 0.86	43		
109BC24HC7-1			0.05	1.20	5,600	0.112 4.0	165 0.66	40		
109BC24FC7-1			0.04	0.96	5,100	0.101 3.6	130 0.52	38		

Other sensor specifications are available as options. Please refer to the index (p. 495).

Dimensions (unit: mm)

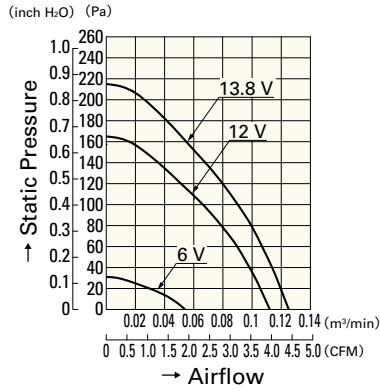
Airflow - Static Pressure Characteristics

G speed



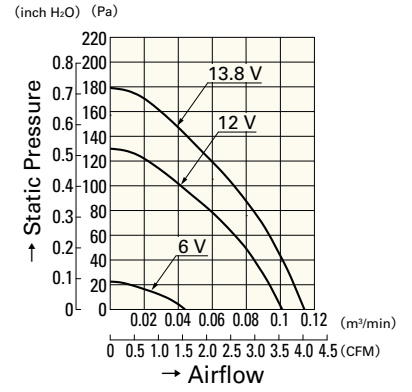
109BC12GC7-1

H speed



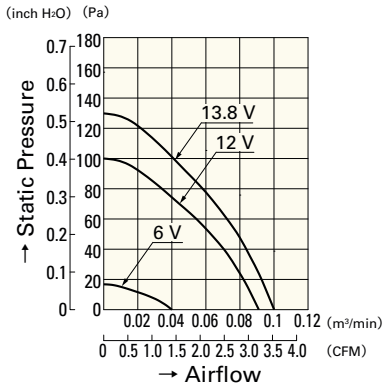
109BC12HC7-1

F speed



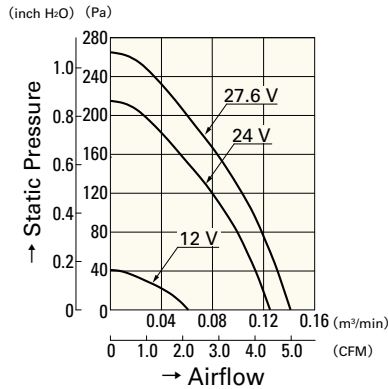
109BC12FC7-1

M speed



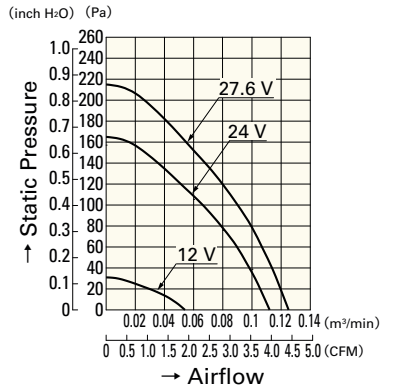
109BC12MC7-1

G speed



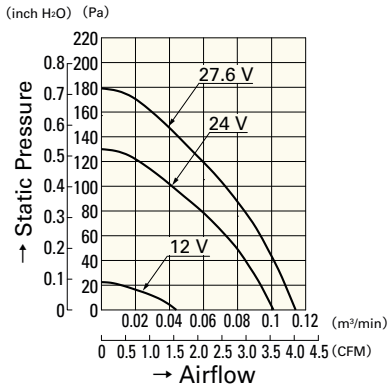
109BC24GC7-1

H speed



109BC24HC7-1

F speed



109BC24FC7-1

DC

Blower 52mm

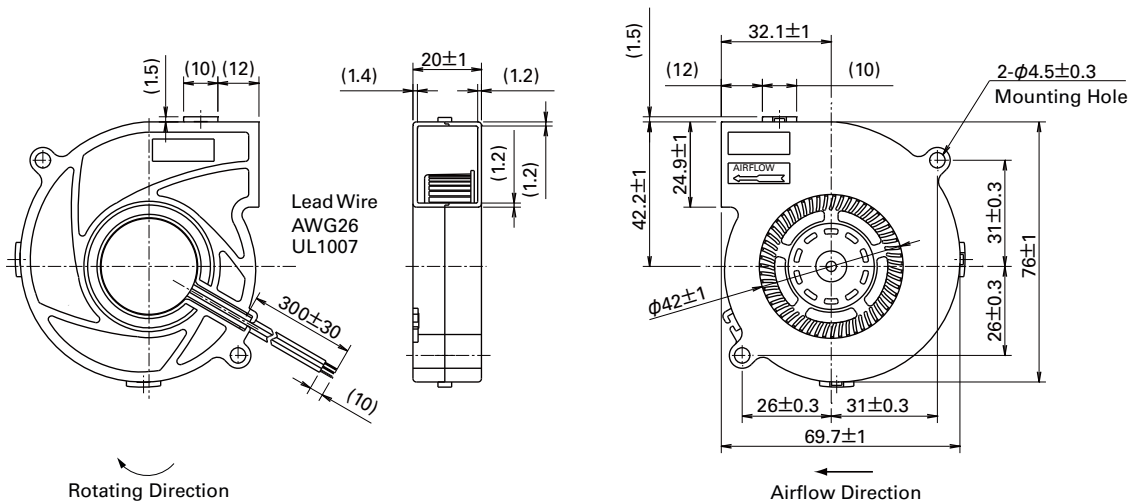
76mm**San Ace B76****General Specifications**

- Material Frame: Plastics (Flammability: UL94V-0),
Impeller: Plastics (Flammability: UL94V-0)
- Expected Life Refer to specifications (L10:Survival rate: 90% at 60°C ,
rated voltage, and continuously run in a free air state)
- Lead Wire ⊕red ⊖black (Sensor) yellow
- Storage Temperature -30°C to +70°C (Non-condensing)

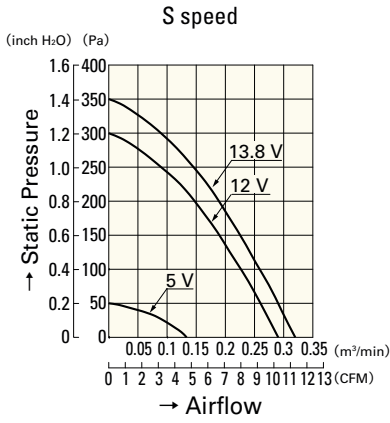
76mm×20mm (Mass : 58g) **9BD type****Specifications** The following nos. **have pulse sensors.**

Model No.	Rated Voltage [V]	Operating Voltage Range [V]	Rated Current [A]	Rated Input [W]	Rated Speed [min ⁻¹]	Max. Airflow [m ³ /min] [CFM]	Max. Static Pressure [Pa] [inchH ₂ O]	SPL [dB(A)]	Operating Temperature [°C]	Expected Life [h]
9BD12SC6-1	12	5 to 13.8	0.28	3.36	4,500	0.29 10.2	300 1.20	43	-20 to +70	40,000/60°C (70,000/40°C)
9BD12HC6-1			0.21	2.52	4,200	0.27 9.5	230 0.92	41		
9BD12FC6-1		0.18	2.16	3,900	0.25 8.8	200 0.80	39			
9BD24SC6-1	24	10 to 27.6	0.14	3.36	4,500	0.29 10.2	300 1.20	43		
9BD24HC6-1			0.12	2.88	4,200	0.27 9.5	230 0.92	41		
9BD24FC6-1			0.10	2.4	3,900	0.25 8.8	200 0.80	39		

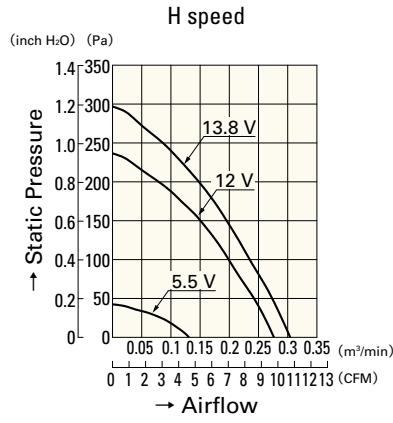
Other sensor specifications are available as options. Please refer to the index (p. 500).

Dimensions (unit: mm)

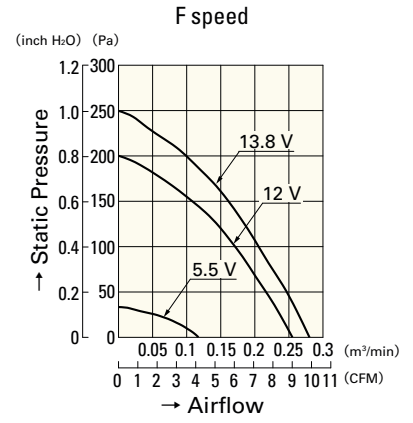
Airflow - Static Pressure Characteristics



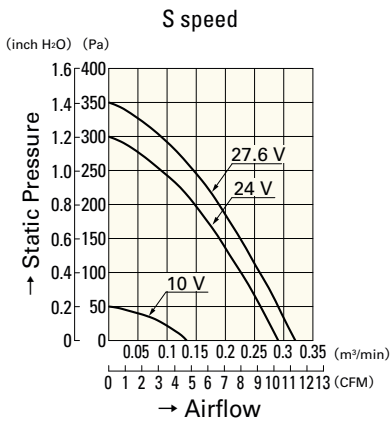
9BD12SC6-1



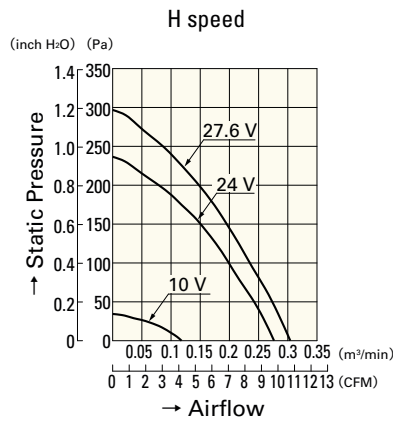
9BD12HC6-1



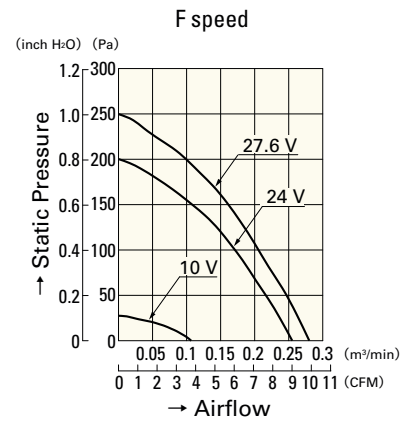
9BD12FC6-1



9BD24SC6-1



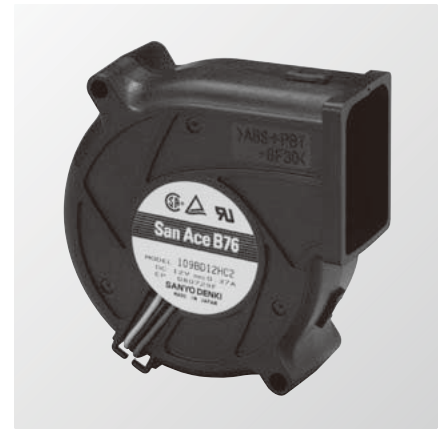
9BD24HC6-1



9BD24FC6-1

76_{mm}

San Ace B76



General Specifications

- Material Frame: Plastics (Flammability: UL94V-0),
Impeller: Plastics (Flammability: UL94V-1)
- Expected Life Refer to specifications (L10:Survival rate: 90% at 60°C ,
rated voltage, and continuously run in a free air state)
- Lead Wire ⊕red ⊖black or blue (Sensor) yellow
- Storage Temperature -30°C to +70°C (Non-condensing)

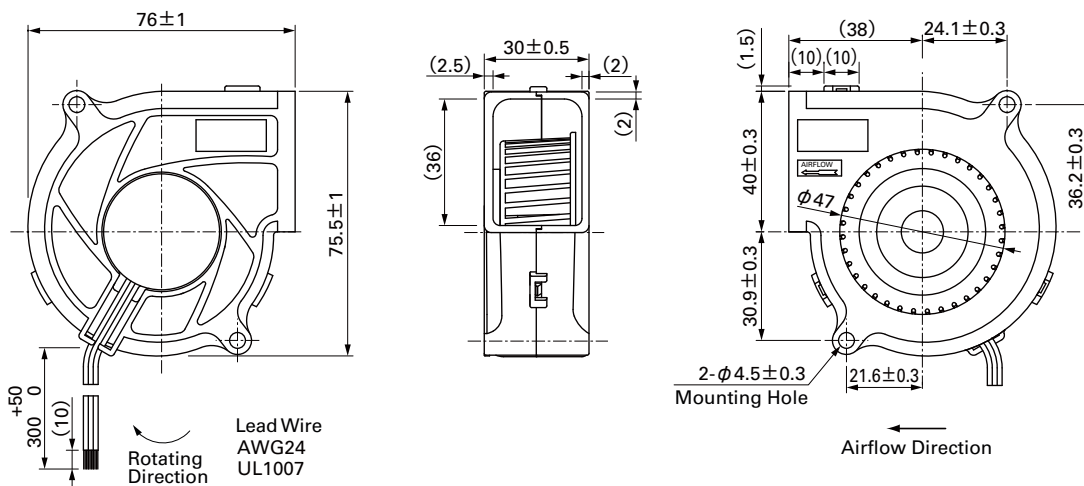
76mm×30mm (Mass : 100g) **9BD type**

Specifications The following nos. have pulse sensors.

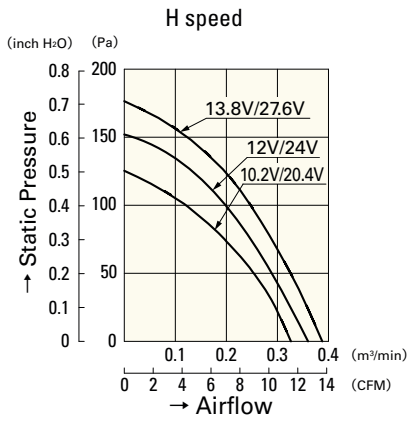
Model No.	Rated Voltage [V]	Operating Voltage Range [V]	Rated Current [A]	Rated Input [W]	Rated Speed [min ⁻¹]	Max. Airflow [m ³ /min] [CFM]	Max. Static Pressure [Pa] [inchH ₂ O]	SPL [dB(A)]	Operating Temperature [°C]	Expected Life [h]
109BD12HC2	12	10.2 to 13.8	0.37	4.44	3,000	0.36 12.7	151.9 0.610	41.5	-20 to +60	40,000/60°C
109BD12FC2			0.27	3.24	2,600	0.31 10.9	98 0.394	37		
109BD12MC2			0.14	1.68	2,100	0.25 8.8	58.8 0.236	32.5		
109BD24HC2	24	20.4 to 27.6	0.17	4.08	3,000	0.36 12.7	151.9 0.610	41.5	-20 to +60	
109BD24FC2			0.14	3.36	2,600	0.31 10.9	98 0.394	37	-20 to +70	
109BD24MC2			0.10	2.40	2,100	0.25 8.8	58.8 0.236	32.5	-20 to +70	

Other sensor specifications are available as options. Please refer to the index (p. 495).

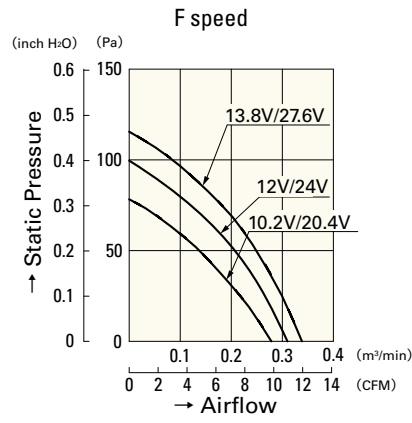
Dimensions (unit: mm)



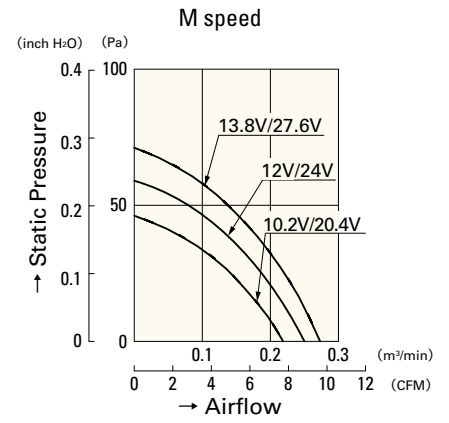
Airflow - Static Pressure Characteristics



109BD12HC2
109BD24HC2

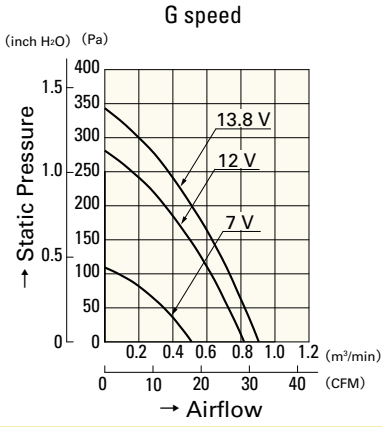


109BD12FC2
109BD24FC2

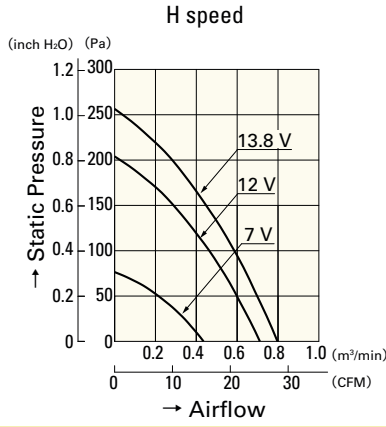


109BD12MC2
109BD24MC2

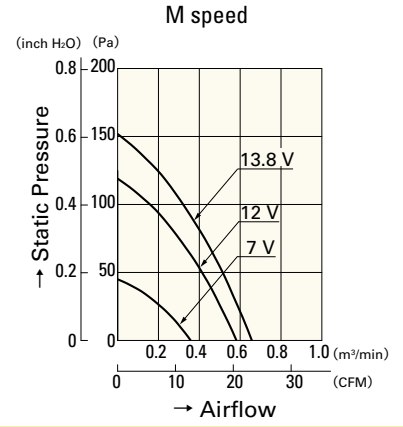
Airflow - Static Pressure Characteristics



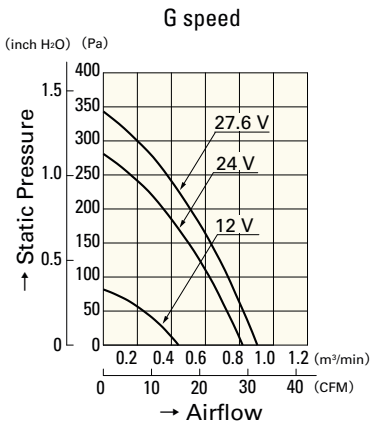
109BM12GC2-1



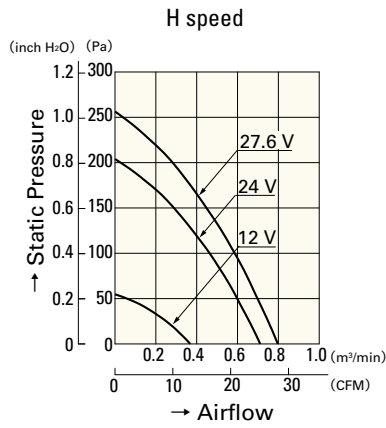
109BM12HC2-1



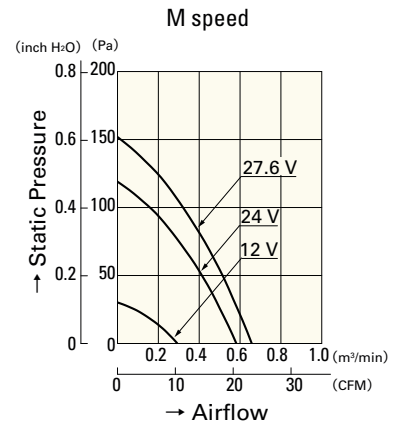
109BM12MC2-1



109BM24GC2-1



109BM24HC2-1



109BM24MC2-1

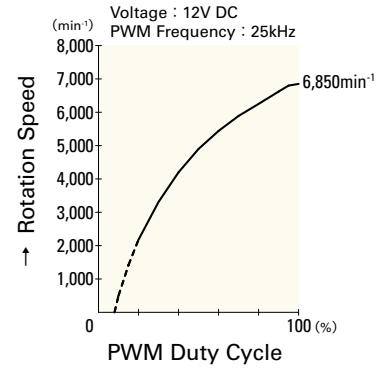
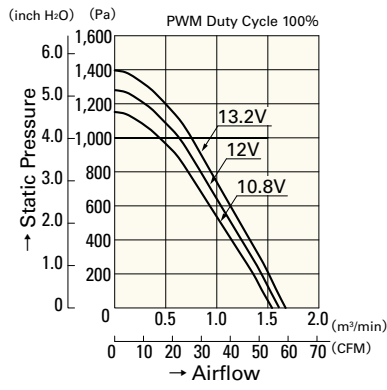
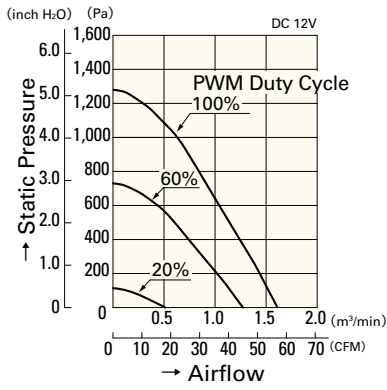
DC
Blower 97mm

Airflow - Static Pressure Characteristics

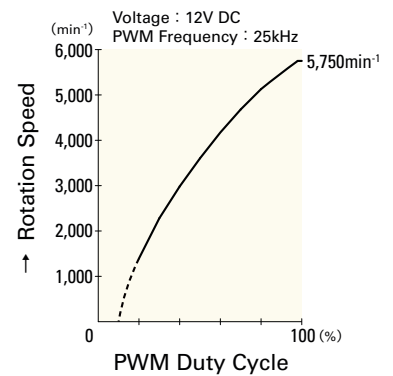
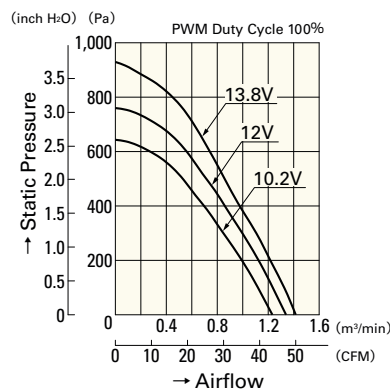
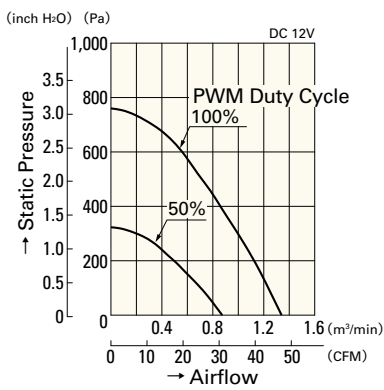
PWM Duty - Speed Characteristics Example

PWM Duty Cycle

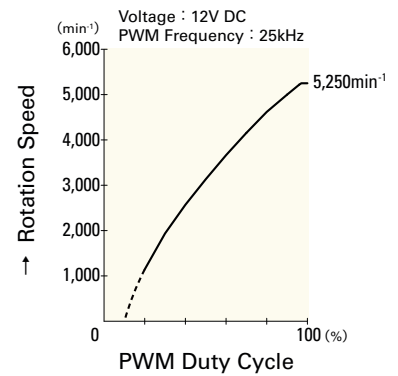
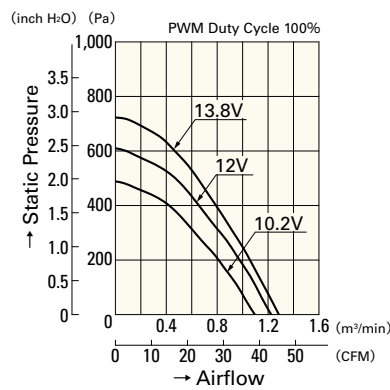
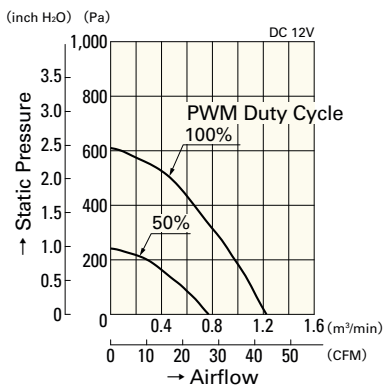
Operating Voltage Range



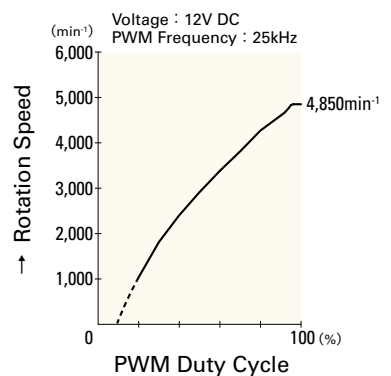
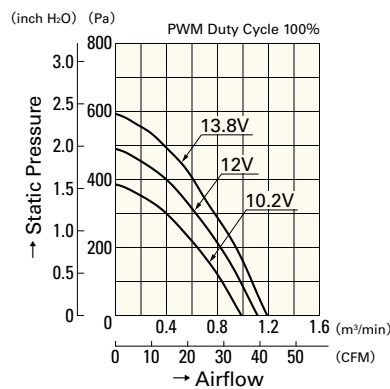
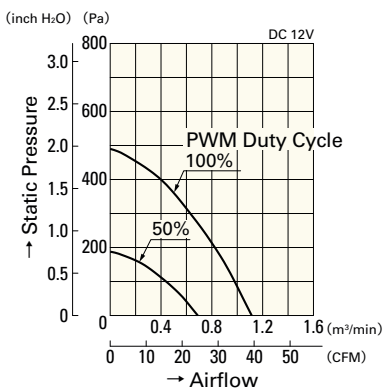
9BMB12P2K01



9BMB12P2G01



9BMB12P2S01



9BMB12P2H01

97mm

San Ace B97

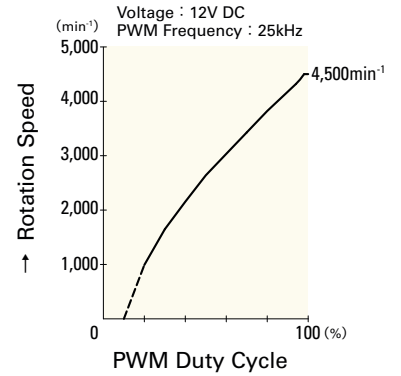
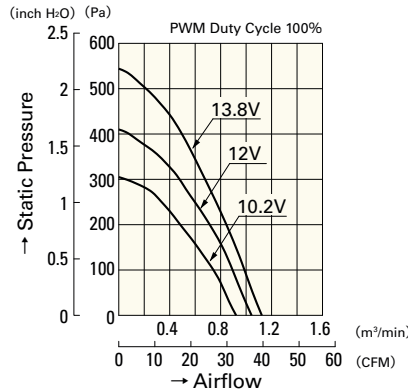
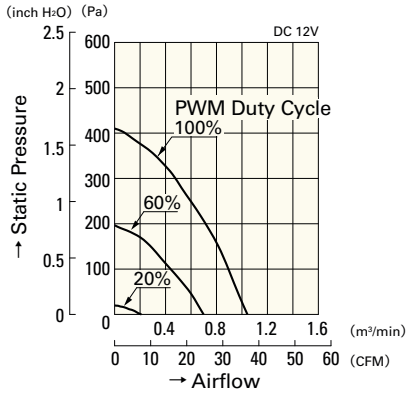
97mm × 33mm [Mass : 190g]

Airflow - Static Pressure Characteristics

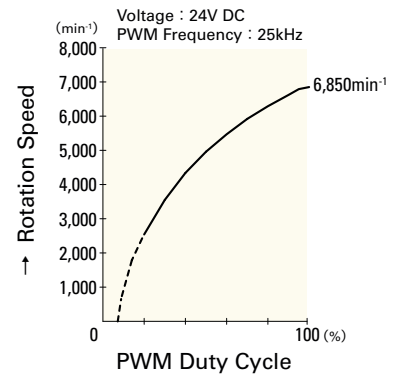
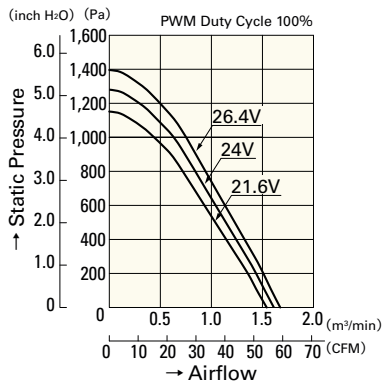
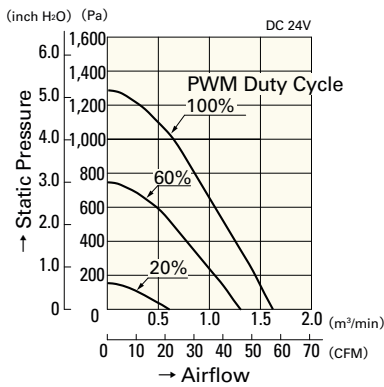
PWM Duty - Speed Characteristics Example

PWM Duty Cycle

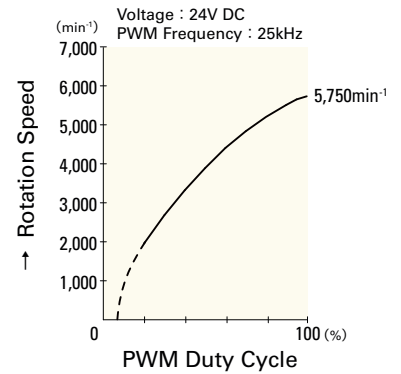
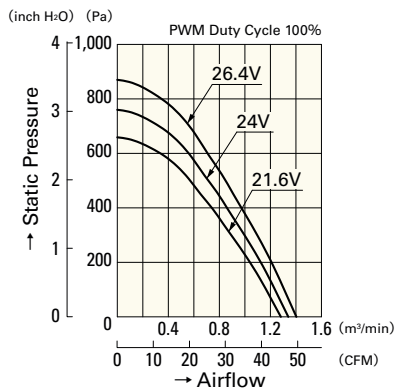
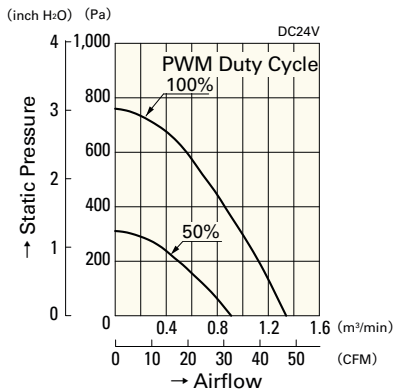
Operating Voltage Range



9BMB12P2F01



9BMB24P2K01



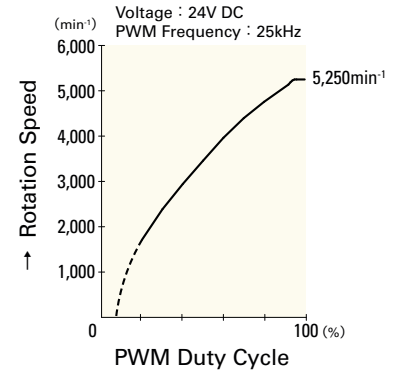
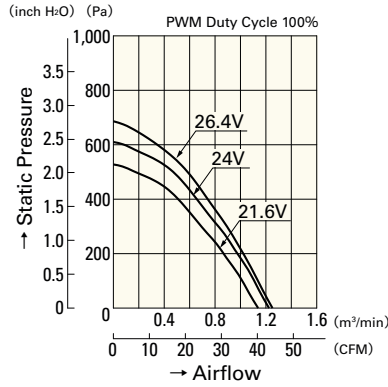
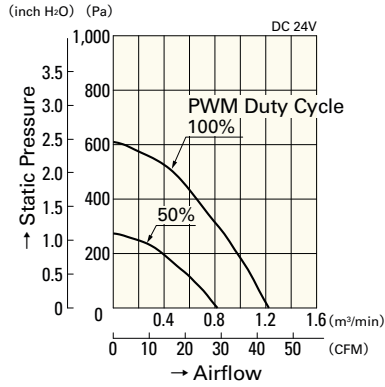
9BMB24P2G01

Airflow - Static Pressure Characteristics

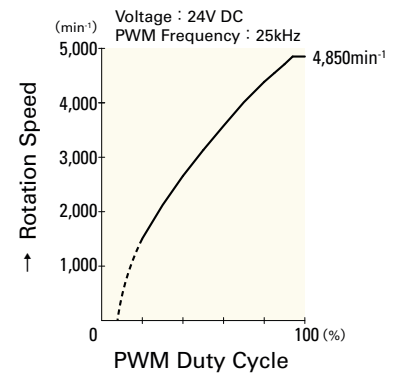
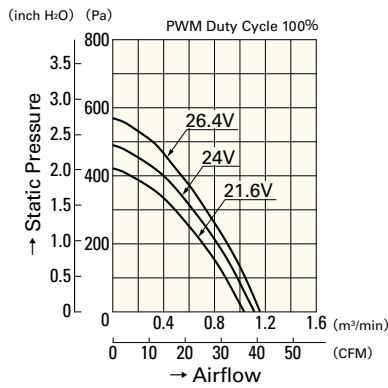
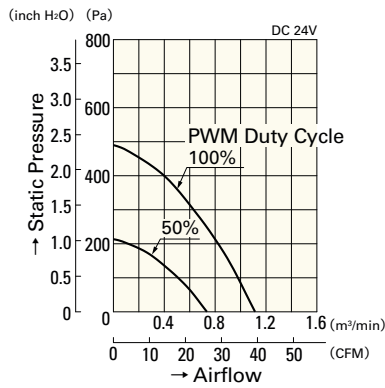
PWM Duty - Speed Characteristics Example

PWM Duty Cycle

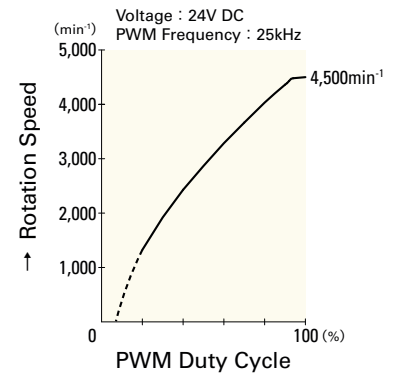
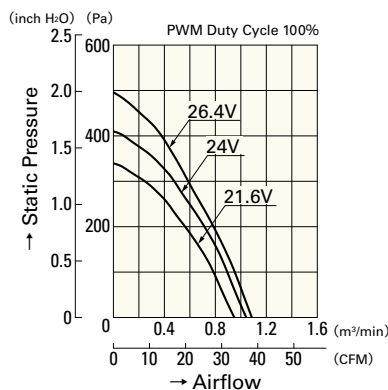
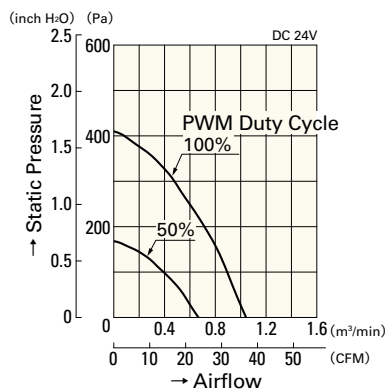
Operating Voltage Range



9BMB24P2S01



9BMB24P2H01



9BMB24P2F01

DC
Blower 97mm

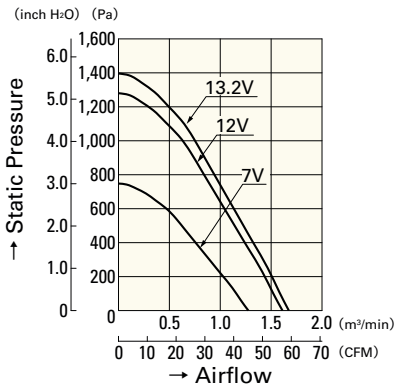
97mm

San Ace B97

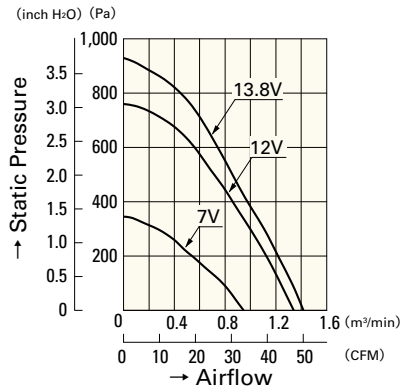
97mm × 33mm (Mass : 190g)

Airflow - Static Pressure Characteristics

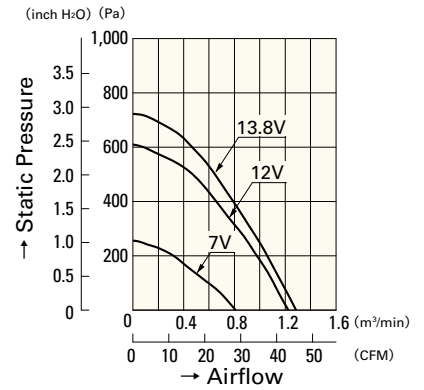
Operating Voltage Range



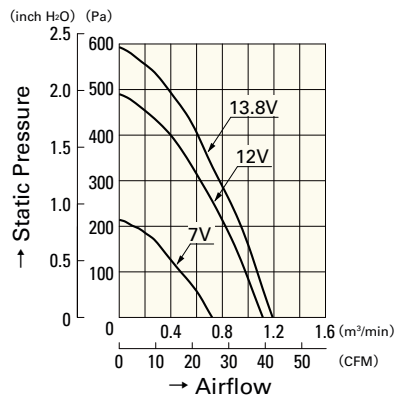
9BMB12K201



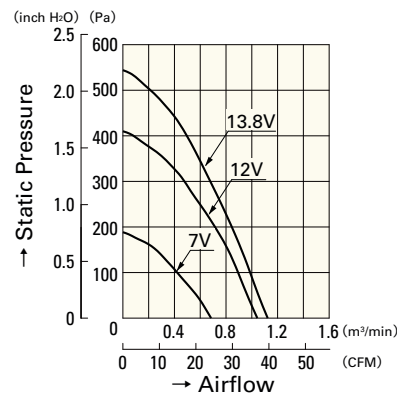
9BMB12G201



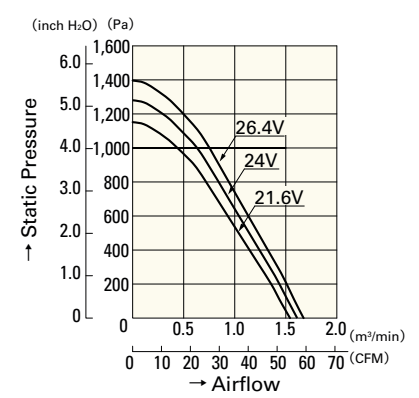
9BMB12S201



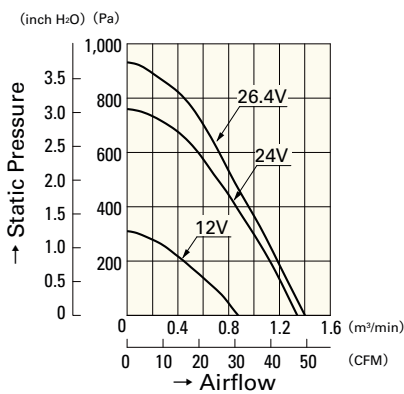
9BMB12H201



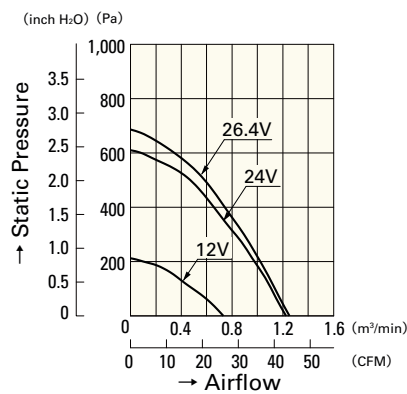
9BMB12F201



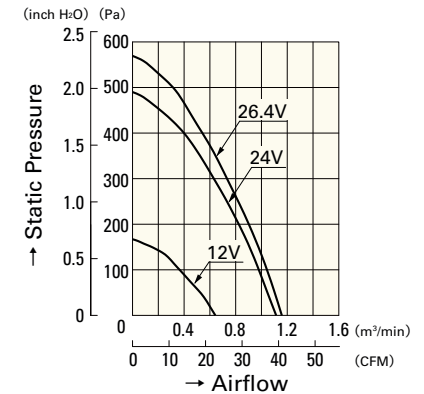
9BMB24K201



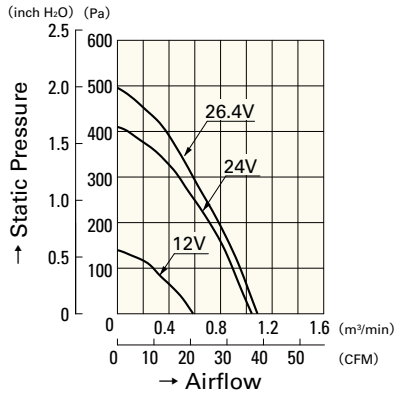
9BMB24G201



9BMB24S201



9BMB24H201



9BMB24F201

Blower 97mm DC

120mm**San Ace B120****General Specifications**

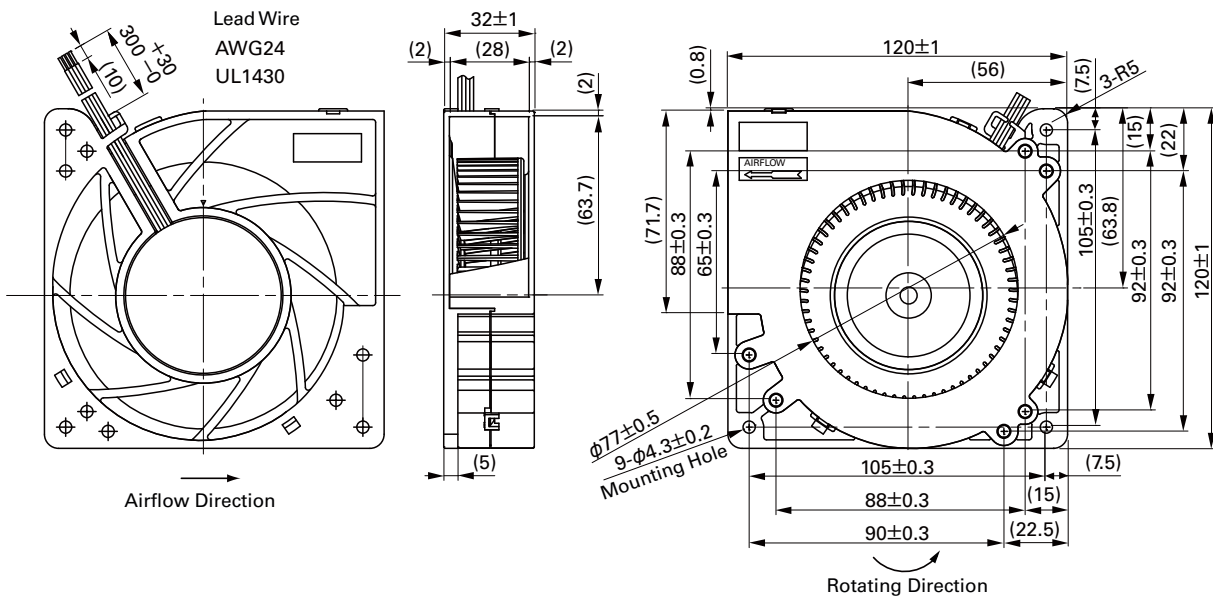
- Material Frame: Plastics (Flammability: UL94V-0),
Impeller: Plastics (Flammability: UL94V-0)
- Expected Life Refer to specifications (L10:Survival rate: 90% at 60°C ,
rated voltage, and continuously run in a free air state)
- Lead Wire ⊕red ⊖black (Sensor) yellow (Control) brown
- Storage Temperature -30°C to +70°C (Non-condensing)

120mm×32mm (Mass : 340g) **9BFB type****Specifications** The following nos. **have PWM controls and pulse sensors.**

Model No.	Rated Voltage [V]	Operating Voltage Range [V]	PWM duty cycle* [%]	Rated Current [A]	Rated Input [W]	Rated Speed [min ⁻¹]	Max. Airflow [m ³ /min] [CFM]	Max. Static Pressure [Pa] [InchH ₂ O]	SPL [dB(A)]	Operating Temperature [°C]	Expected Life [h]
9BFB12P2H003 <small>(Note)</small>	12	10.8 to 13.2	100	2.3	27.6	3,750	1.6 56.5	1,250 5.02	62	-20 to +70	40,000/60°C (70,000/40°C)
9BFB24P2H003	24	21.6 to 26.4	100 0	1.1 0.12	26.4 2.88	3,750 1,300	1.6 56.5 0.46 16.2	1,250 5.02 43 0.17	62 41		

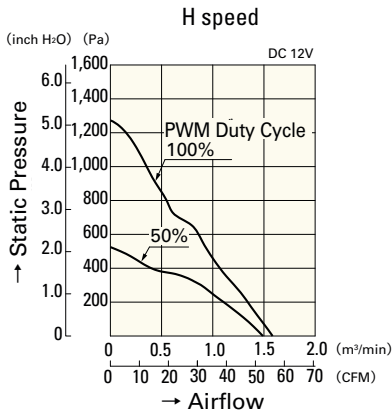
Note : Fan does not rotate when PWM duty cycle is 0%.

※PWM Frequency : 25kHz

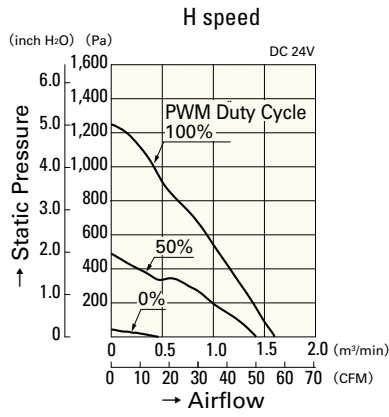
Dimensions (unit: mm)

Airflow - Static Pressure Characteristics

PWM Duty Cycle

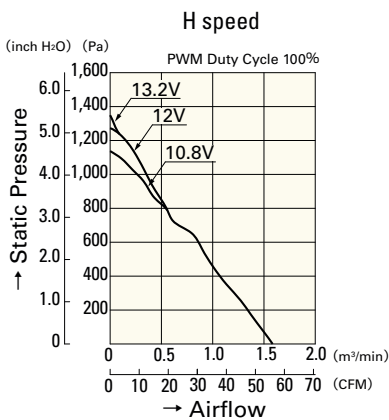


9BFB12P2H003

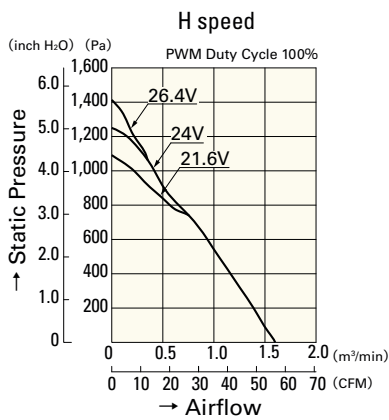


9BFB24P2H003

Operating Voltage Range

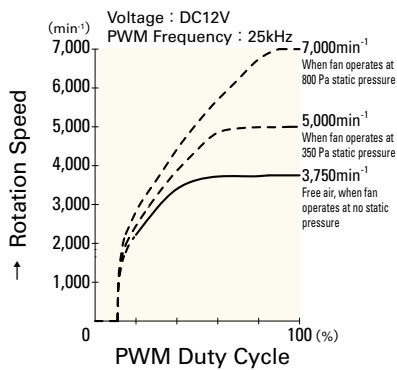


9BFB12P2H003

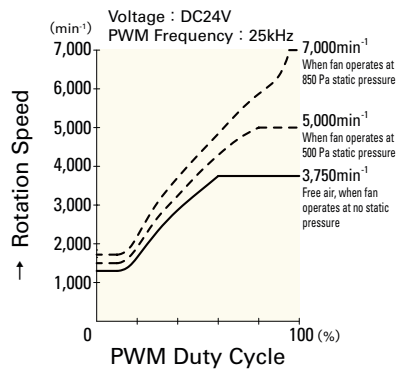


9BFB24P2H003

PWM Duty - Speed Characteristics Example



9BFB12P2H003



9BFB24P2H003

127mm

San Ace B127



General Specifications

- Material Frame: Plastics (Flammability: UL94V-0),
Impeller: Plastics (Flammability: UL94V-1)
- Expected Life Refer to specifications (L10:Survival rate: 90% at 60°C ,
rated voltage, and continuously run in a free air state)
- Lead Wire ⊕red ⊖black or blue (Sensor) yellow
- Storage Temperature -30°C to +70°C (Non-condensing)

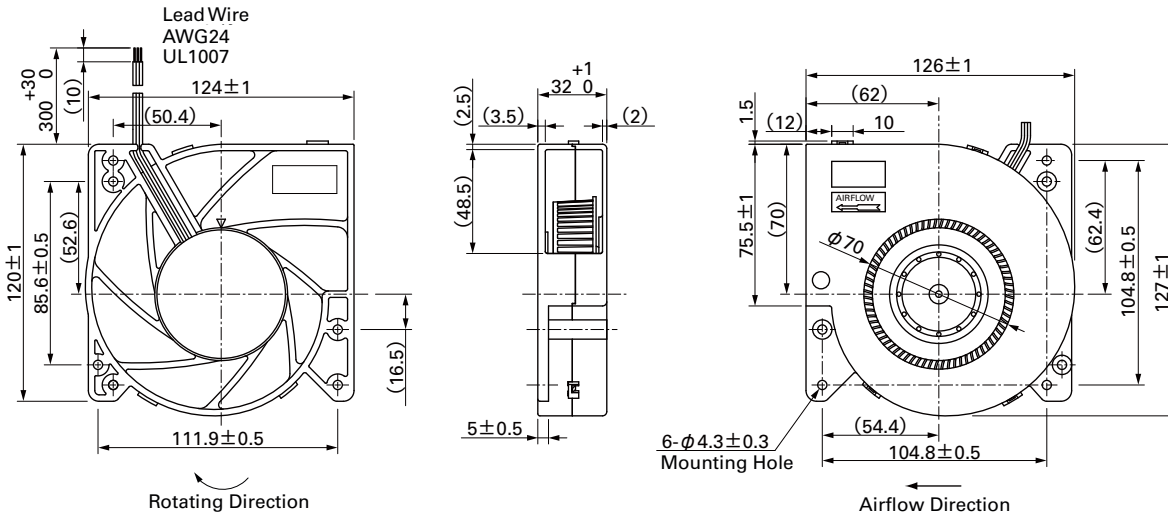
127mm×32mm (Mass : 290g) 9BJ type

Specifications The following nos. have pulse sensors.

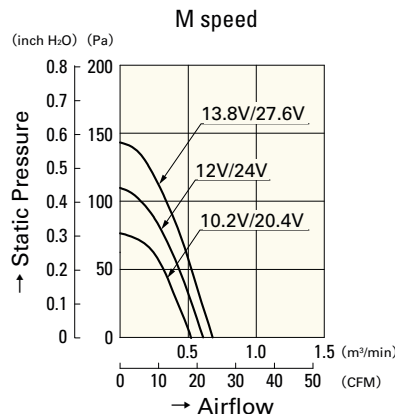
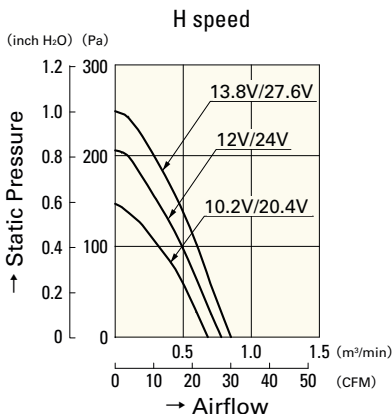
Model No.	Rated Voltage [V]	Operating Voltage Range [V]	Rated Current [A]	Rated Input [W]	Rated Speed [min ⁻¹]	Max. Airflow [m ³ /min] [CFM]	Max. Static Pressure [Pa] [inchH ₂ O]	SPL [dB(A)]	Operating Temperature [°C]	Expected Life [h]	
109BJ12HC2	12	10.2 to 13.8	0.52	6.24	2,400	0.78	27.5	205.8	0.826	46	40,000/60°C
109BJ12MC2			0.29	3.48	1,900	0.61	21.5	109.8	0.441	40	
109BJ24HC2	24	20.4 to 27.6	0.26	6.24	2,400	0.78	27.5	205.8	0.826	46	
109BJ24MC2			0.15	3.6	1,900	0.61	21.5	109.8	0.441	40	

Other sensor specifications are available as options. Please refer to the index (p. 495).

Dimensions (unit: mm)



Airflow - Static Pressure Characteristics



109BJ12HC2
109BJ24HC2

109BJ12MC2
109BJ24MC2

160mm

San Ace B160



General Specifications

- Material Frame: Plastics (Flammability: UL94V-0),
Impeller: Plastics (Flammability: UL94V-1)
- Expected Life Refer to specifications (L10:Survival rate: 90% at 60°C ,
rated voltage, and continuously run in a free air state)
- Lead Wire ⊕red ⊖black or blue (Sensor) yellow
- Storage Temperature -30°C to +70°C (Non-condensing)

160mm×40mm (Mass : 580g) **9BG type**

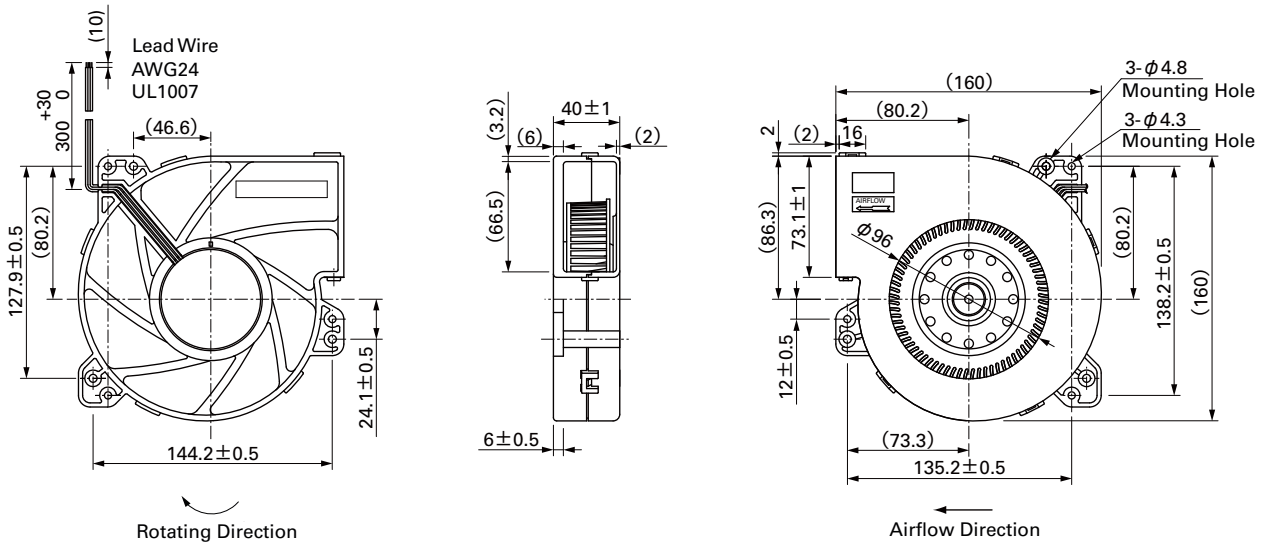
Specifications

The following nos. **have pulse sensors.**

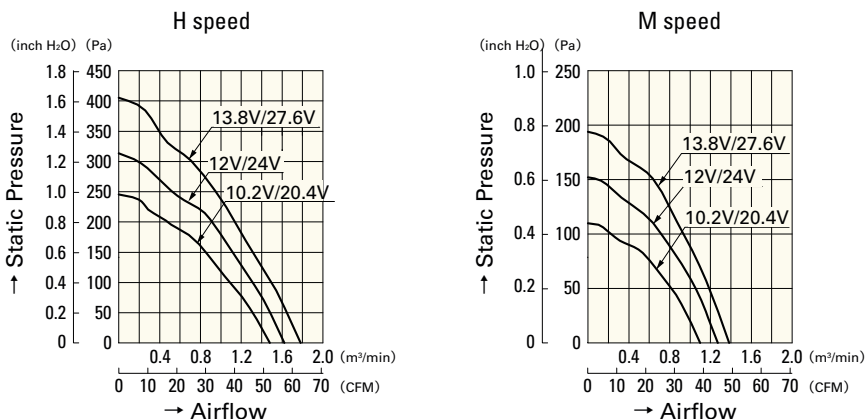
Model No.	Rated Voltage [V]	Operating Voltage Range [V]	Rated Current [A]	Rated Input [W]	Rated Speed [min ⁻¹]	Max. Airflow [m ³ /min] [CFM]	Max. Static Pressure [Pa] [inchH ₂ O]	SPL [dB(A)]	Operating Temperature [°C]	Expected Life [h]
109BG12HC1	12	10.2 to 13.8	1.3	15.6	2,300	1.62 57.2	313.6 1.259	55	- 20 to + 60	40,000/60°C
109BG12MC1			0.64	7.68	1,800	1.26 44.5	156.8 0.629	50		
109BG24HC1	24	20.4 to 27.6	0.62	14.88	2,300	1.62 57.2	313.6 1.259	55		
109BG24MC1			0.31	7.44	1,800	1.26 44.5	156.8 0.629	50		

Other sensor specifications are available as options. Please refer to the index (p. 495).

Dimensions (unit: mm)



Airflow - Static Pressure Characteristics



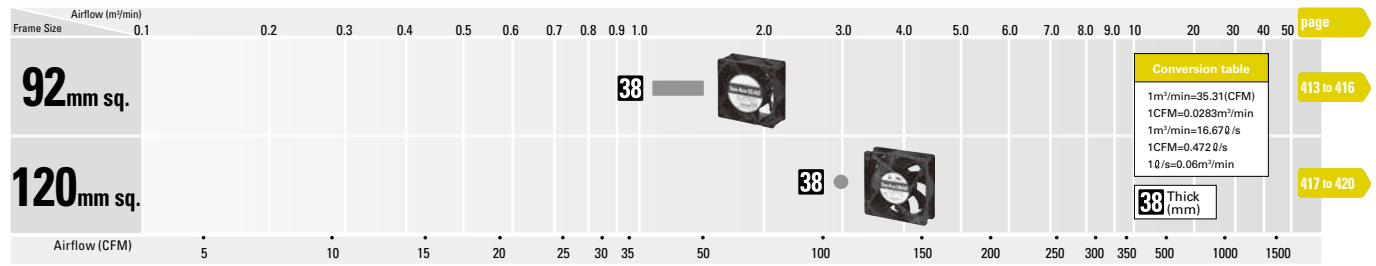
109BG12HC1
109BG24HC1

109BG12MC1
109BG24MC1

ACDC Fan

This fan works while internally converting AC power into DC power, providing the superior performance of a DC fan with the flexibility of AC input.

Domain Diagram



Model Numbering System

Not every combination of the following codes or characters is available. Contact us for an available combination.

9AD	09	01	H	1	2	
Type name / frame material 9AD / Plastics	Frame size 09: 92×92mm 12: 120×120mm	Voltage 100V to 240V	Speed code H, M	Frame thickness 1: 38mm thick	Sensor specifications 2: Without a sensor H: With a low-speed sensor	Frame form Nil: Plastics frame: Ribbed frame 1: Plastics frame: Ribless frame

How to Read Specifications

ACDC Fan											AC		
Model No.	① Rated Voltage [V]	② Operating Voltage Range [V]	③ Frequency [Hz]	④ Rated Current [A]	⑤ Rated Input [W]	⑥ Rated Speed [min ⁻¹]	⑦ Max. Airflow [m ³ /min] [CFM]		⑧ Max. Static Pressure [Pa] [inchH ₂ O]		⑨ SPL [dB(A)]	⑩ Operating Temperature [°C]	⑪ Expected Life [h]
9AD0901H12	100 to 240	90 to 264	50/60	0.08	4.5	3,850	1.50	53.0	90	0.36	40	-20 to +75	60,000/60°C
9AD0901M12				0.06	3.0	3,100	1.18	41.7	56	0.22	33		

- ① Rated Voltage This is the necessary voltage to drive the fan.
Single-phase 100 VAC to 240 VAC are also available.
- ② Operating Voltage Range ... The voltage range over which fan operation is guaranteed. 50/60Hz compatible.
- ③ Frequency This is a frequency of alternating current(AC). The frequencies of 50Hz and 60Hz are existing in Japan.
- ④ Rated Current The current value during the fan's rated operation without load.
- ⑤ Rated Input The input value during the fan's rated operation without load.
- ⑥ Rated Speed The rotating speed during the fan's rated operation without load.
- ⑦ Max. Airflow The maximum air volume that the fan can output during rated operation
(according to the company's dual-chamber device).
The volume of air generated by the fan in a given time period.
- ⑧ Max. Static Pressure The maximum static pressure value that the fan can output during rated operation
(according to the company's dual-chamber device).
The static pressure is the fan's force to propel air by overcoming the resistance of the device that uses the fan when it propels air.
- ⑨ SPL "SPL" is Sound Pressure Level. The noise level during the fan's rated operation.
Please refer to the technical material section for the method used to measure the noise level.
- ⑩ Operating Temperature The temperature range over which fan operation is guaranteed (Non- condensing)
- ⑪ Expected Life The fan's expected operating life when the fan operates continuously at the rated voltage at a temperature of 60° C and at relative humidity of 90%.
Please refer to the technical material section for the expected operating life.

ACDC Fan Common Specifications

- Material** Frame, Impeller: Plastics * For details, refer to the appropriate page.
- Expected Life** Varies for each model
(L10:Survival rate:90% at 60°C , rated voltage,and continuously run in a free air state)
- Motor Construction** Brushless DC motor
- Motor Protection System** .. Burnout protection at locked rotor condition
- Dielectric Strength** 50/60Hz 1500VAC 1minute
(between input terminal and frame, and between sensor output and frame)
- Insulation Resistance** 10M Ω or more at 500VDC megger (between lead conductor and frame)
- Sound Pressure Level(SPL)** .. Expressed as the value at 1m from air inlet side
- Operating Voltage Range** .. Varies depending on models.
- Lead Wire** For details, refer to the appropriate page.

Overheating protection function

Protection Functions
If the fan blades are restricted, an overcurrent occurs and leads to a rise in the fan coil temperature. This can result in reduced performance, damage, or a fire. To prevent this from occurring, SANYO DENKI's fans incorporate an overheating protection function.

Burnout protection function at locked rotor condition

- Current cutoff system (ACDC fan only)
If the fan blades are restricted, the coil current is cut off at regular cycles to prevent overheating of the coil. When the hindrance is removed, the fan restarts automatically.

92mm sq.

San Ace 92AD



General Specifications

- Material Frame: Plastics (Flammability: UL94V-0), Impeller: Plastics (Flammability: UL94V-0)
 - Expected Life Refer to specifications (L10:Survival rate: 90% at 60°C , rated voltage,and continuously run in a free air state)
 - Storage Temperature -30°C to +75°C (Non-condensing)
- * Do not weld directly onto AC input terminals.

92×92×38mm (Mass : 250g) **9AD type**

Specifications

The model no. below has **ribs and no sensors**. For models without ribs, append "1" to the model no.

Model No.	Rated Voltage [V]	Operating Voltage Range [V]	Frequency [Hz]	Rated Current [A]	Rated Input [W]	Rated Speed [min ⁻¹]	Max. Airflow [m ³ /min] [CFM]	Max. Static Pressure [Pa] [inchH ₂ O]	SPL [dB(A)]	Operating Temperature [°C]	Expected Life [h]
9AD0901H12	100 to 240	90 to 264	50/60	0.08	4.5	3,850	1.50 53.0	90 0.36	40	-20 to +75	60,000/60°C
9AD0901M12				0.06	3.0	3,100	1.18 41.7	56 0.22	33		

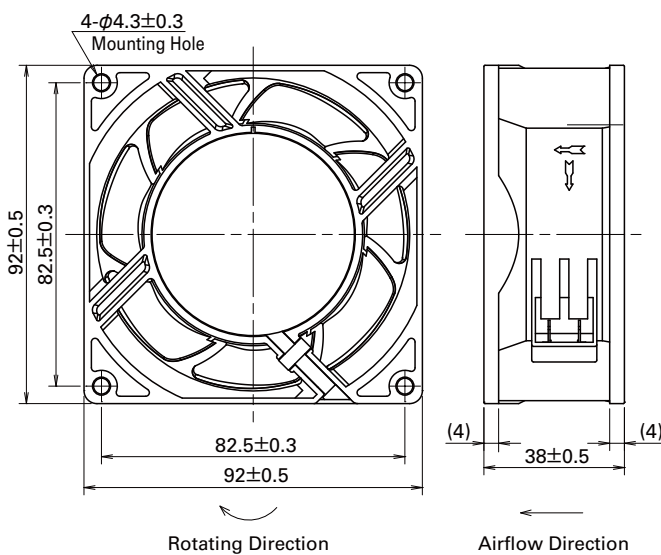
The model no. below has **ribs and low-speed sensors**. For models without ribs, append "1" to the model no.

Model No.	Rated Voltage [V]	Operating Voltage Range [V]	Frequency [Hz]	Rated Current [A]	Rated Input [W]	Rated Speed [min ⁻¹]	Max. Airflow [m ³ /min] [CFM]	Max. Static Pressure [Pa] [inchH ₂ O]	SPL [dB(A)]	Operating Temperature [°C]	Expected Life [h]
9AD0901H1H	100 to 240	90 to 264	50/60	0.08	4.5	3,850	1.50 53.0	90 0.36	40	-20 to +75	60,000/60°C
9AD0901M1H				0.06	3.0	3,100	1.18 41.7	56 0.22	33		

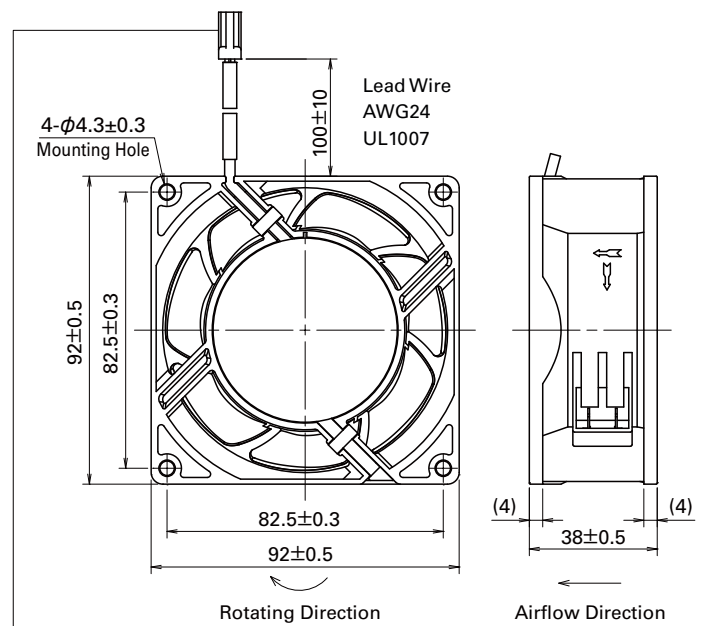
Set Models Fan, finger guard, plug cord, screws, etc. can be purchased in one package. For details, please refer to pp. 453 to 456.

Dimensions (unit: mm) (With ribs)

without Sensor

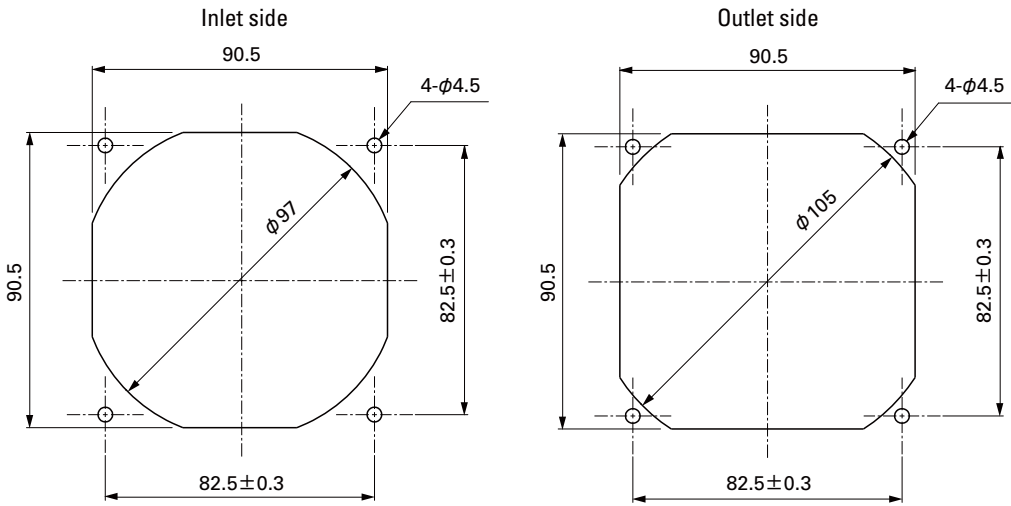


with Low-speed sensor



Connector: Tyco Electronics 171822-2
 (Pin1 Sensor output: Yellow Pin2 -: Black)
 Contact: Tyco Electronics 170262-1
 * Recommended connectors and contacts are listed below.
 Connector: Tyco Electronics 172211-2
 Contact: Tyco Electronics 170376-1

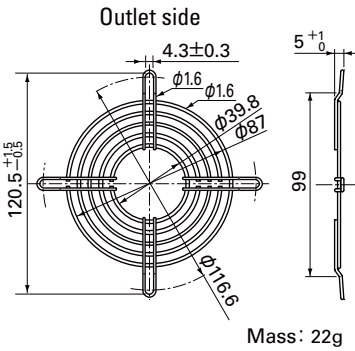
Reference Dimensions of Mounting Holes and Vent Opening (unit: mm)



Options (unit: mm)

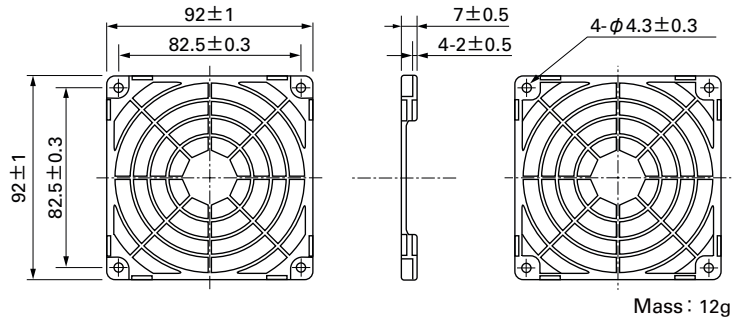
Finger Guards

Model : 109-099C Surface treatment : Nickel-chrome plating (silver) Color : Nickel-chrome plating (silver)

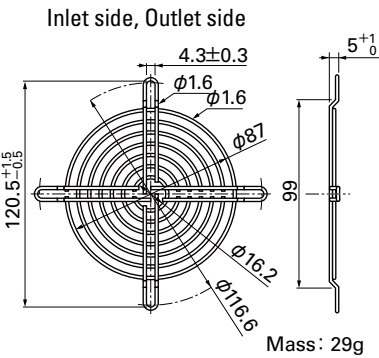


Resin Finger Guards

Model : 109-1001G

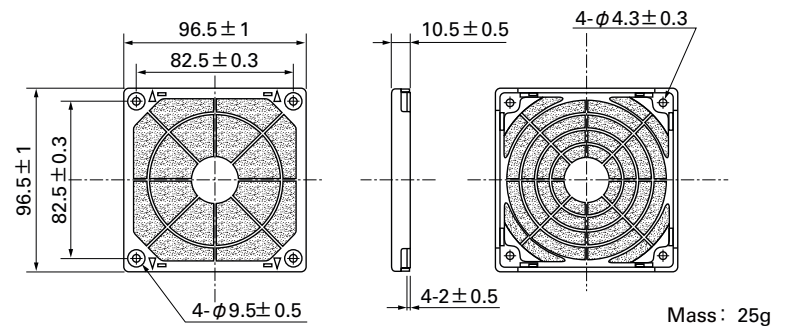


Model : 109-099E Surface treatment : Nickel-chrome plating (silver) Color : Nickel-chrome plating (silver)
 : 109-099H : Cation electropainting (black)



Resin Filter Kits

Model: 109-1001F13 (13PPI), 109-1001F20 (20PPI), 109-1001F30 (30PPI), 109-1001F40 (40PPI)



92mm sq.

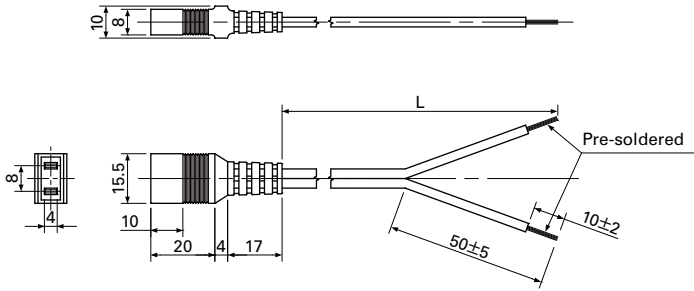
San Ace 92AD

92×92×38mm [Mass : 250g]

Options (unit: mm)

Plug Cord

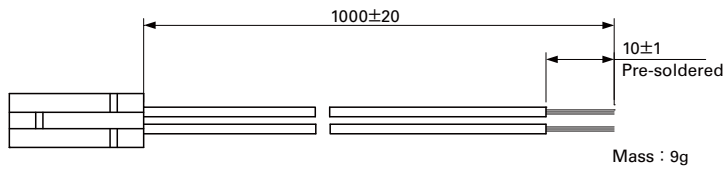
(Products compliant with Electrical Appliance and Material Safety Law, UL/CSA [c-UL] CERTIFIED)
 UL FILE No. E43202
 Model : 489-1635-L10/489-1635-L21



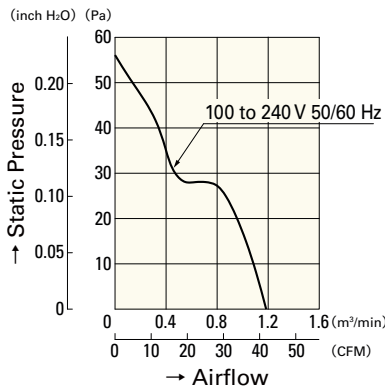
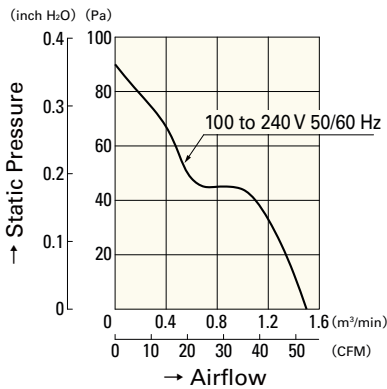
Model	Power cord length (L) [mm]	Mass [g]
489-1635-L10	1,000	38
489-1635-L21	2,100	74

Wiring Harness for Sensor

Model: 489-1636



Airflow - Static Pressure Characteristics

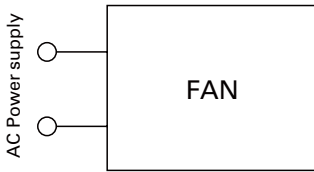


9AD0901H12
9AD0901H1H

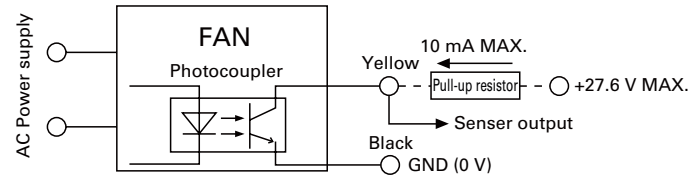
9AD0901M12
9AD0901M1H

Wiring Diagram

Standard



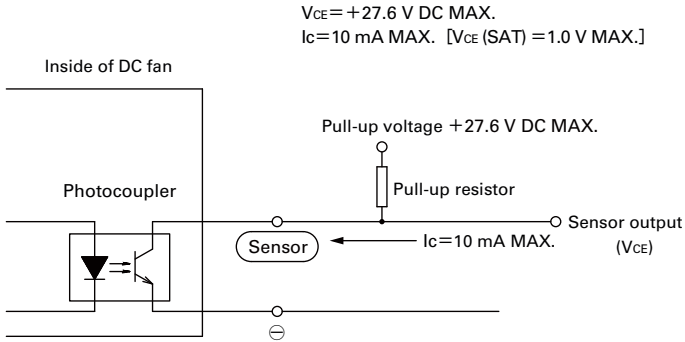
with Sensor



Specifications for Low-speed Sensors

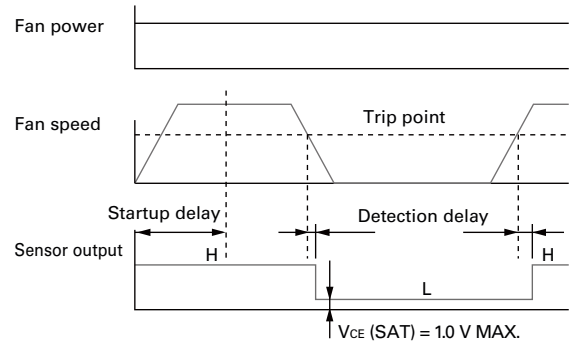
Typical standard model: 9AD0901H1H

Output circuit: Open collector

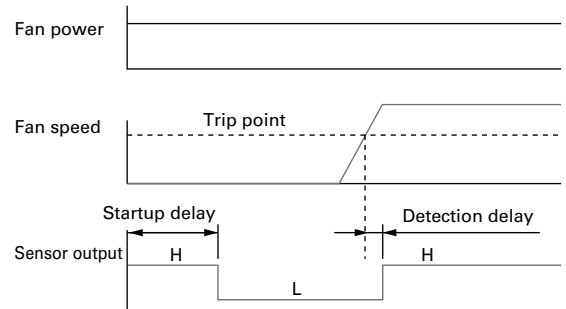


Sensor scheme

Example 1: when steady running



Example 2: when the rotor is locked when the fan motor is turned on and released after the start-up delay time.



9AD0901H1H

Startup delay: $18 \pm 3 \text{ s}$

Detection delay: 3 s MAX.

Trip point: $1,700 \text{ min}^{-1}$

9AD0901M1H

Startup delay: $36 \pm 3 \text{ s}$

Detection delay: 3 s MAX.

Trip point: 850 min^{-1}

120mm sq.

San Ace 120AD



General Specifications

- Material Frame: Plastics (Flammability: UL94V-0), Impeller: Plastics (Flammability: UL94V-1)
 - Expected Life Refer to specifications (L10:Survival rate: 90% at 60°C , rated voltage,and continuously run in a free air state)
 - Storage Temperature -30°C to +75°C (Non-condensing)
- * Do not weld directly onto AC input terminals.

120×120×38mm [Mass : 290g] **9AD type**

Specifications

The model no. below has **ribs and no sensors**. For models without ribs, append "1" to the model no.

Model No.	Rated Voltage [V]	Operating Voltage Range [V]	Frequency [Hz]	Rated Current [A]	Rated Input [W]	Rated Speed [min ⁻¹]	Max. Airflow [m ³ /min] [CFM]	Max. Static Pressure [Pa] [inchH ₂ O]	SPL [dB(A)]	Operating Temperature [°C]	Expected Life [h]
9AD1201H12	100 to 240	90 to 264	50/60	0.08	4.4	3,250	3.0 106	84 0.34	42	-20 to +75	60,000/60°C

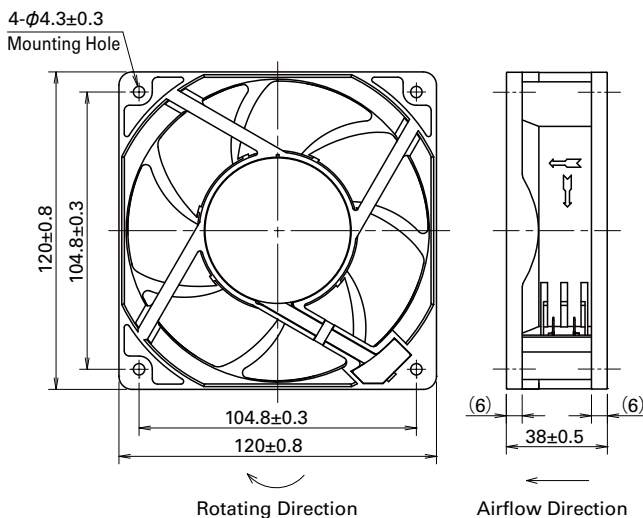
The model no. below has **ribs and low-speed sensors**. For models without ribs, append "1" to the model no.

Model No.	Rated Voltage [V]	Operating Voltage Range [V]	Frequency [Hz]	Rated Current [A]	Rated Input [W]	Rated Speed [min ⁻¹]	Max. Airflow [m ³ /min] [CFM]	Max. Static Pressure [Pa] [inchH ₂ O]	SPL [dB(A)]	Operating Temperature [°C]	Expected Life [h]
9AD1201H1H	100 to 240	90 to 264	50/60	0.08	4.4	3,250	3.0 106	84 0.34	42	-20 to +75	60,000/60°C

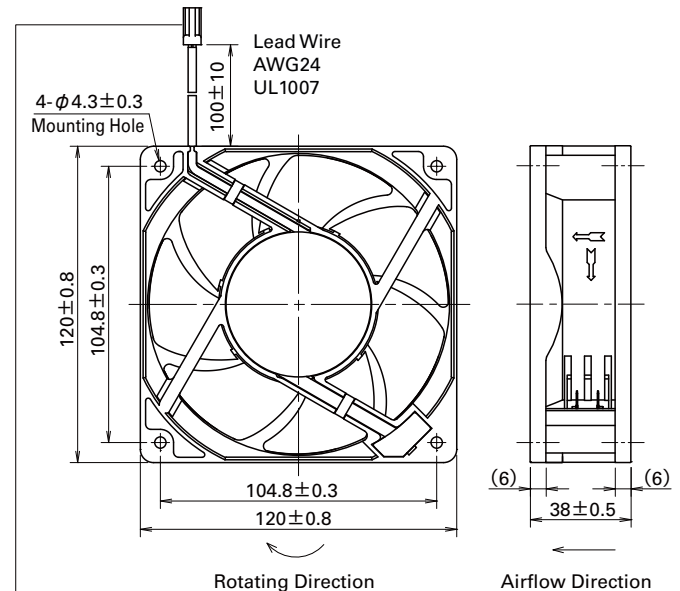
- Set Models** Fan, finger guard, plug cord, screws, etc. can be purchased in one package. For details, please refer to pp. 453 to 456.

Dimensions (unit: mm) (With ribs)

without Sensor

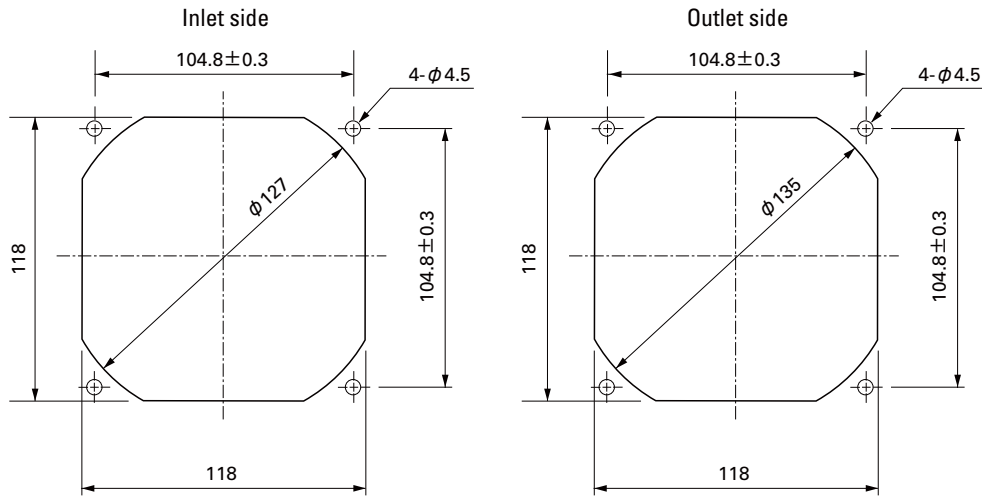


with Low-speed sensor



Connector: Tyco Electronics 171822-2
 (Pin1 Sensor output: Yellow Pin2 -: Black)
 Contact: Tyco Electronics 170262-1
 * Recommended connectors and contacts are listed below.
 Connector: Tyco Electronics 172211-2
 Contact: Tyco Electronics 170376-1

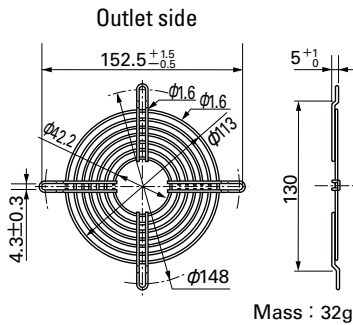
Reference Dimensions of Mounting Holes and Vent Opening (unit: mm)



Options (unit: mm)

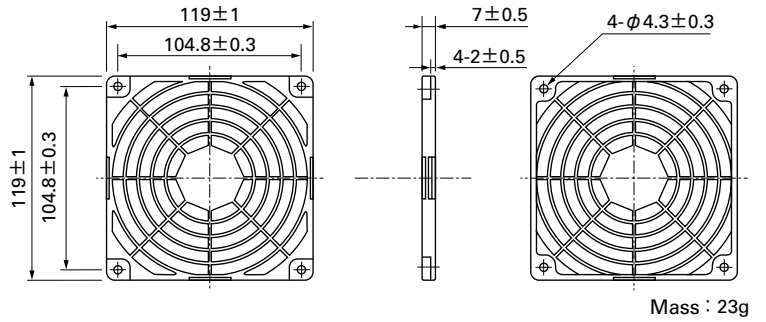
Finger Guards

Model : 109-019C Surface treatment : Nickel-chrome plating (silver) Color
 : 109-019H : Cation electropainting (black)

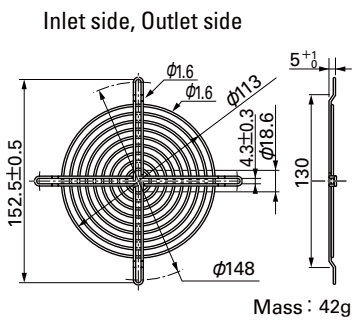


Resin Finger Guards

Model : 109-1000G

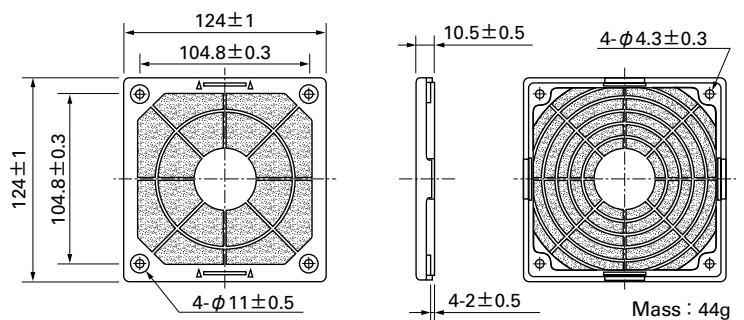


Model : 109-019E Surface treatment : Nickel-chrome plating (silver) Color
 : 109-019K : Cation electropainting (black)



Resin Filter Kits

Model: 109-1000F13 (13PPI), 109-1000F20 (20PPI), 109-1000F30 (30PPI), 109-1000F40 (40PPI)



120 mm sq.

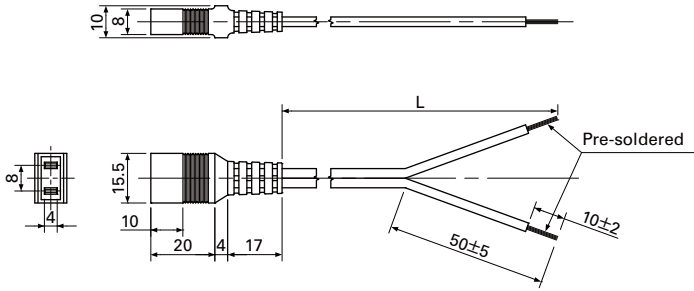
San Ace 120AD

120×120×38mm [Mass : 290g]

Options (unit: mm)

Plug Cord

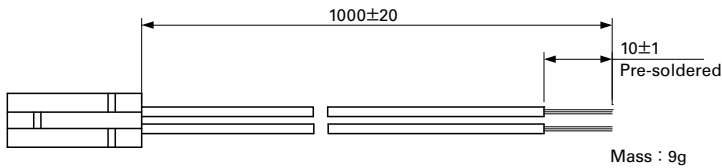
(Products compliant with Electrical Appliance and Material Safety Law, UL/CSA [c-UL] CERTIFIED)
 UL FILE No. E43202
 Model : 489-1635-L10/489-1635-L21



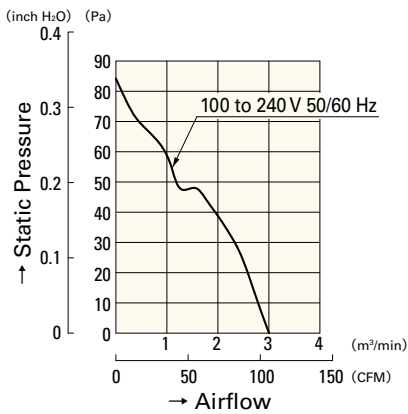
Model	Power cord length (L) [mm]	Mass [g]
489-1635-L10	1,000	38
489-1635-L21	2,100	74

Wiring Harness for Sensor

Model: 489-1636



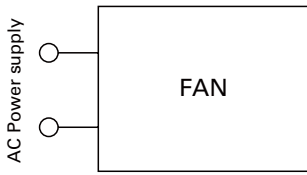
Airflow - Static Pressure Characteristics



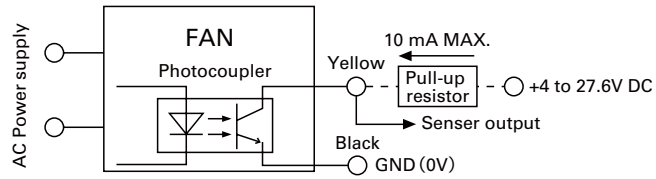
9AD1201H12
9AD1201H1H

Wiring Diagram

without Sensor



with Low-speed sensor

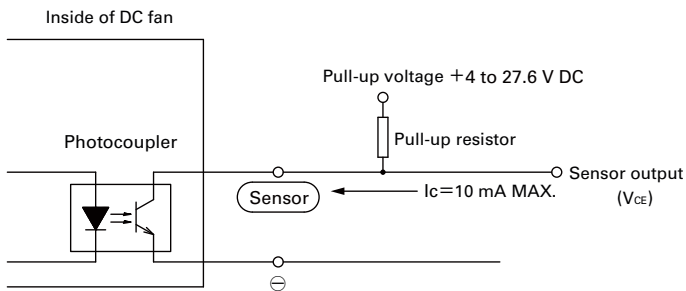


Specifications for Low-speed Sensors

Model No.: 9AD1201H1H

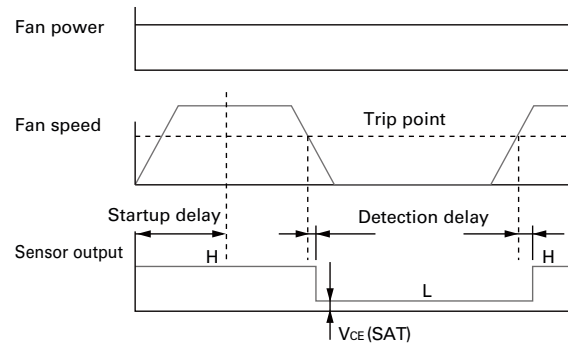
Output circuit: Open collector

$V_{CE} = +27.6 \text{ V DC MAX.}$
 $I_c = 10 \text{ mA MAX. [} V_{CE(SAT)} = 1.0 \text{ V MAX.]}$

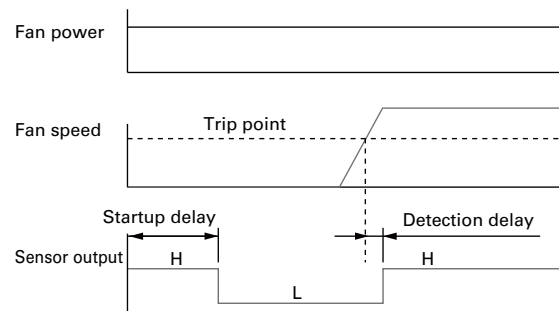


Sensor scheme

Example 1: when steady running



Example 2: when the rotor is locked when the fan motor is turned on and released after the start-up delay time.

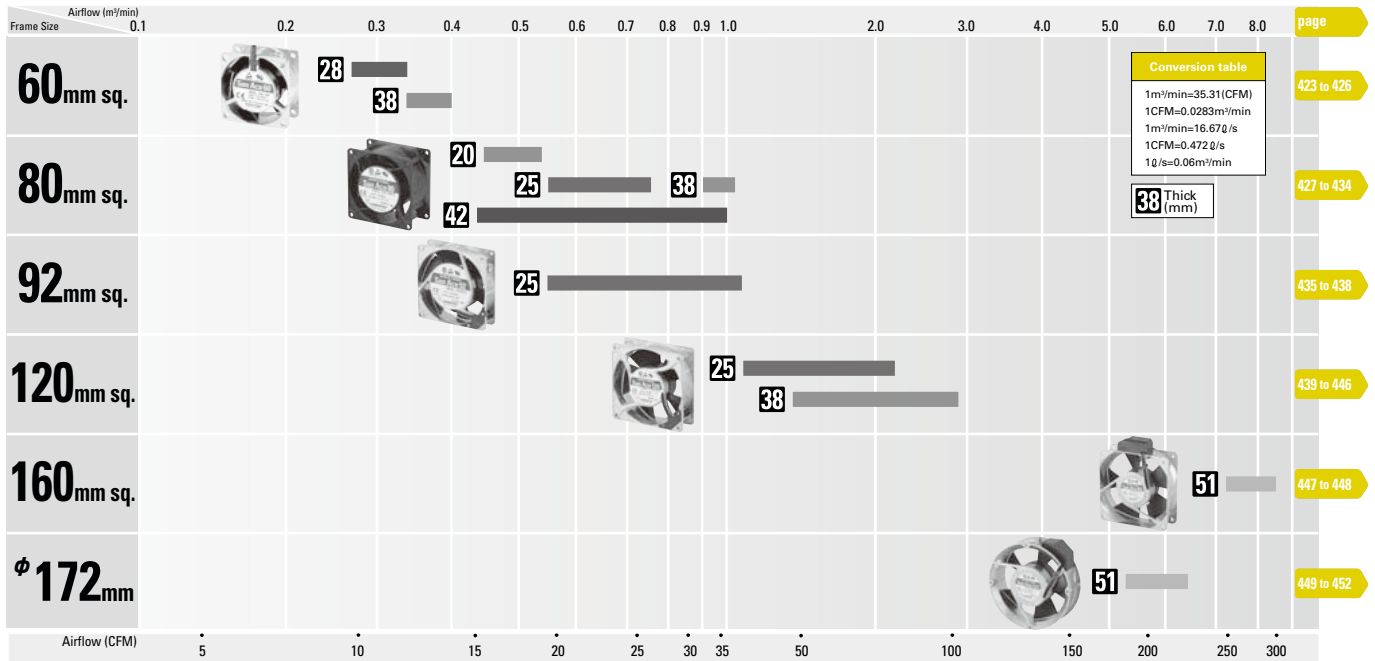


Startup delay: $18 \pm 3 \text{ s}$
 Detection delay: 3 s MAX.
 Trip point: $1,700 \text{ min}^{-1}$

AC Fan

The cooling fan operates at 100V to 230V AC.

Domain Diagram



How to Read Specifications

AC Fan											AC		
Model No.	① Rated Voltage [V]	② Frequency [Hz]	③ Input [W]	④ Current [A]	⑤ Locked Rotor Current [A]	⑥ Rated Speed [min ⁻¹]	⑦ Max. Airflow [m ³ /min] [CFM]		⑧ Max. Static Pressure [Pa] [inchH ₂ O]		⑨ SPL [dB(A)]	⑩ Operating Temperature [°C]	⑪ Expected Life [h]
109-180	100	50/60	5/4	0.06/0.05	0.07/0.06	2,250/2,700	0.27/0.33	9.5/11.7	11.8/18.6	0.047/0.075	24/26	-30 to +70	25,000
109-183	115				0.06/0.05								

- ① Rated Voltage This is the necessary voltage to drive the fan.
Single-phase 100VAC, 115VAC, 200VAC and 230VAC are also available.
- ② Frequency This is a frequency of alternating current(AC). The frequencies of 50Hz and 60Hz are existing in Japan.
Performance of AC fan varies depending on the frequency.
Example: Rated speed 2,250/2,700 = 50Hz → 2,250, 60Hz → 2,700
- ③ Input The input value during the fan's rated operation without load.
- ④ Current The current value during the fan's rated operation without load.
- ⑤ Locked Rotor Current This is a current when rotor of motor that applies rated voltage is locked.
- ⑥ Rated Speed The rotating speed during the fan's rated operation without load.
- ⑦ Max. Airflow The maximum air volume that the fan can output during rated operation (according to the company's dual-chamber device).
The volume of air generated by the fan in a given time period.
- ⑧ Max. Static Pressure The maximum static pressure value that the fan can output during rated operation (according to the company's dual-chamber device).
The static pressure is the fan's force to propel air by overcoming the resistance of the device that uses the fan when it propels air.
- ⑨ SPL "SPL" is Sound Pressure Level. The noise level during the fan's rated operation.
Please refer to the technical material section for the method used to measure the noise level.
- ⑩ Operating Temperature The temperature range over which fan operation is guaranteed (Non- condensing)
- ⑪ Expected Life The fan's expected operating life when the fan operates continuously at the rated voltage at a temperature of 60°C and at relative humidity of 90%.
Please refer to the technical material section for the expected operating life.

AC Fan Common Specifications

- Material** Frame:Aluminum,Impeller:Plastics
- Expected Life** Varies for each model
(L10:Survival rate:90% at 60°C ,rated voltage,and continuously run in a free air state)
- Motor Construction** Shaded coil motor (60mm sq. 80mm sq. 92mm sq. 120mm sq.)
Capacitor motor (160mm sq. φ 172mm)
- Motor Protection System** Burnout protection at locked rotor condition
- Dielectric Strength** 50/60Hz 1500VAC 1minute
(between input terminal and frame or between lead conductor and frame *For details, refer to the appropriate page.)
- Insulation Resistance** 10M Ω or more at 500VDC megger
- Sound Pressure Level(SPL)** Expressed as the value at 1m from air inlet side
- Operating Voltage Range** Voltage of each model ± 10%
- Lead Wire** For details, refer to the appropriate page.

Overheating protection function AC

Protection Functions
If the fan blades are restricted, an overcurrent occurs and leads to a rise in the fan coil temperature. This can result in reduced performance, damage, or a fire. To prevent this from occurring, SANYO DENKI's fans incorporate an overheating protection function.

Burnout protection function at locked rotor condition

- Impedance protection (60mm sq. 80mm sq. 92mm sq. 120mm sq.)
This system is used for shading coil-type fans. When the blades are restricted, the current is reduced by the impedance of the coil itself to prevent a temperature rise in the coil. However, if the applied voltage exceeds the specification range, an overcurrent can occur and result in overheating, and so care needs to be taken.
- Thermal protection (160mm sq. φ 172mm)
This system is used for condenser phase-type fans. A temperature sensor is incorporated in the coil so that if the temperature exceeds the specification temperature, the current is cut off to prevent overheating of the coil.

60mm sq.

San Ace 60



General Specifications

- Material Frame: Aluminum,
Impeller: Plastics (Flammability: UL94V-1)
- Expected Life Refer to specifications (L10: Survival rate: 90% at 60°C ,
rated voltage, and continuously run in a free air state)
- Dielectric Strength 50/60Hz 1,500VAC 1minute (between lead conductor and frame)
- Lead Wire Black, 2pcs
- Storage Temperature -30°C to +70°C (Non-condensing)
- Operating Voltage Range Voltage of each model ± 10%

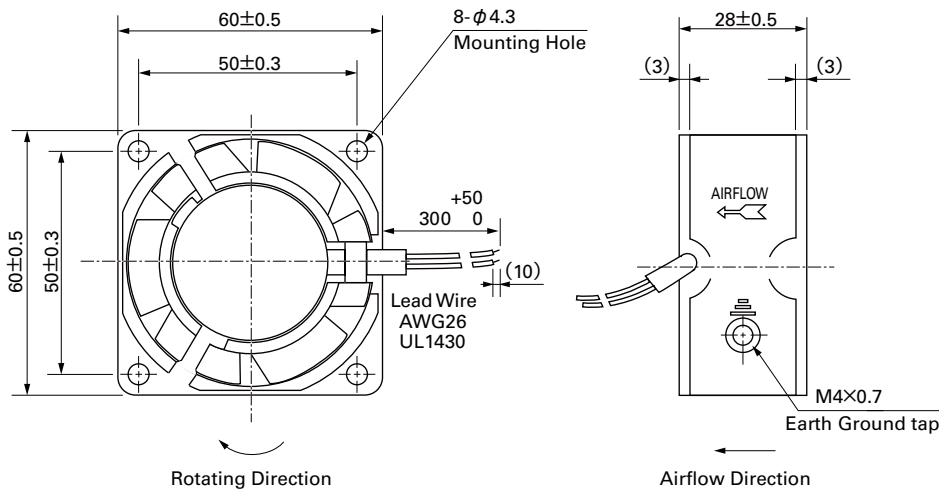
60×60×28mm [Mass : 120g]

Specifications

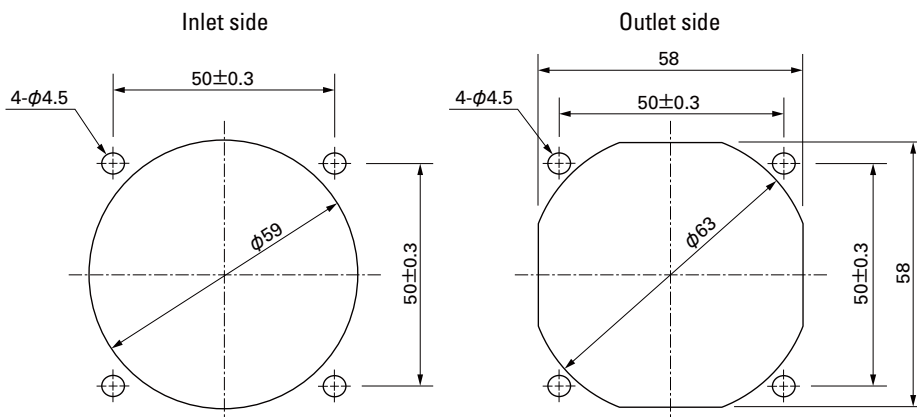
Model No.	Rated Voltage [V]	Frequency [Hz]	Input [W]	Current [A]	Locked Rotor Current [A]	Rated Speed [min ⁻¹]	Max. Airflow [m ³ /min] [CFM]	Max. Static Pressure [Pa] [inchHzO]	SPL [dB(A)]	Operating Temperature [°C]	Expected Life [h]
109-180	100	50/60	5/4	0.06/0.05	0.07/0.06	2,250/2,700	0.27/0.33 9.5/11.7	11.8/18.6 0.047/0.075	24/26	-30 to +70	25,000/60°C
109-183	115										

Set Models Fan, finger guard, plug cord, screws, etc. can be purchased in one package.
For details, please refer to pp. 453 to 456.

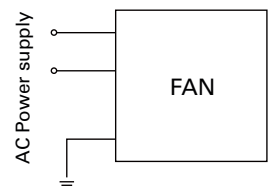
Dimensions (unit: mm)



Reference Dimensions of Mounting Holes and Vent Opening (unit: mm)



Wiring Diagram



Options (unit: mm)

Finger Guards

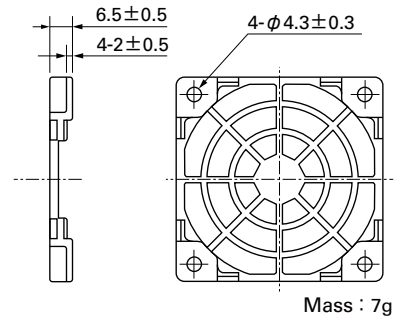
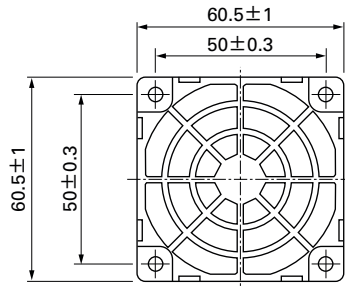
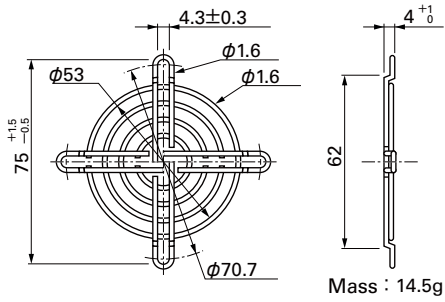
Model : 109-139E Surface treatment : Nickel-chrome plating (silver)
 : 109-139H : Cation electropainting (black)

Color

Resin Finger Guards

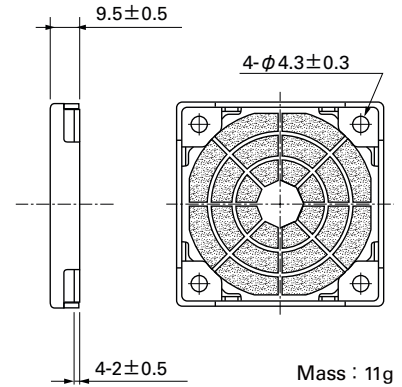
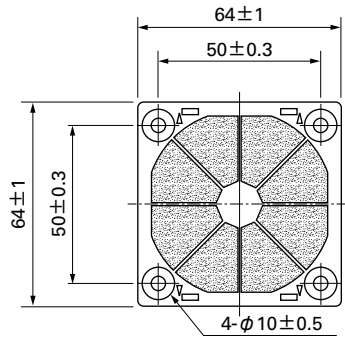
Model : 109-1003G

Inlet side, Outlet side

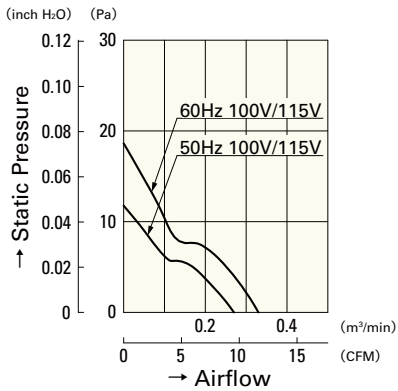


Resin Filter Kits

Model : 109-1003F13 (13PPI), 109-1003F20 (20PPI)
 : 109-1003F30 (30PPI), 109-1003F40 (40PPI)



Airflow - Static Pressure Characteristics



109-180

109-183

AC

AC Fan 60mm

60mm sq.

San Ace 60



General Specifications

- Material Frame: Aluminum,
Impeller:Plastics (Flammability: UL94V-1)
- Expected Life Refer to specifications (L10: Survival rate: 90% at 60°C ,
rated voltage, and continuously run in a free air state)
- Dielectric Strength 50/60Hz 1,500VAC 1minute (between lead conductor and frame)
- Lead Wire Black, 2pcs
- Storage Temperature -30°C to +70°C (Non-condensing)
- Operating Voltage Range Voltage of each model ± 10%

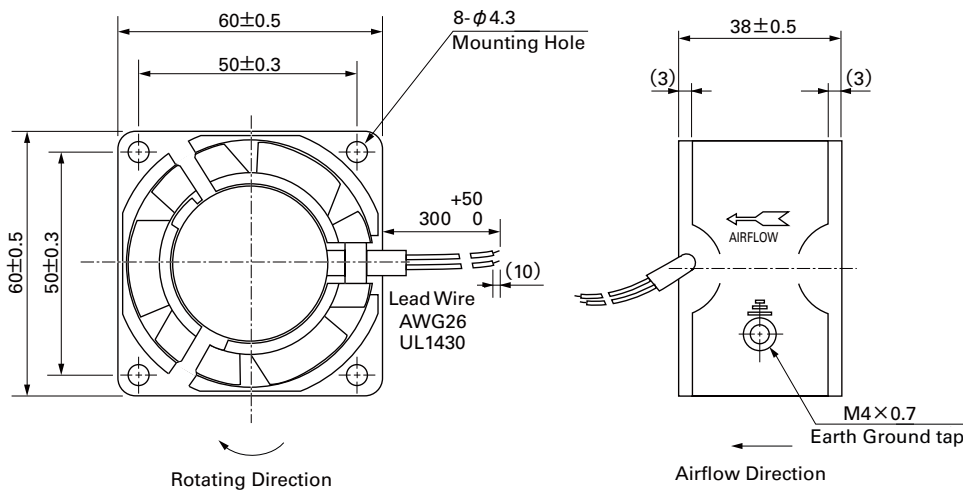
60×60×38mm [Mass : 170g]

Specifications

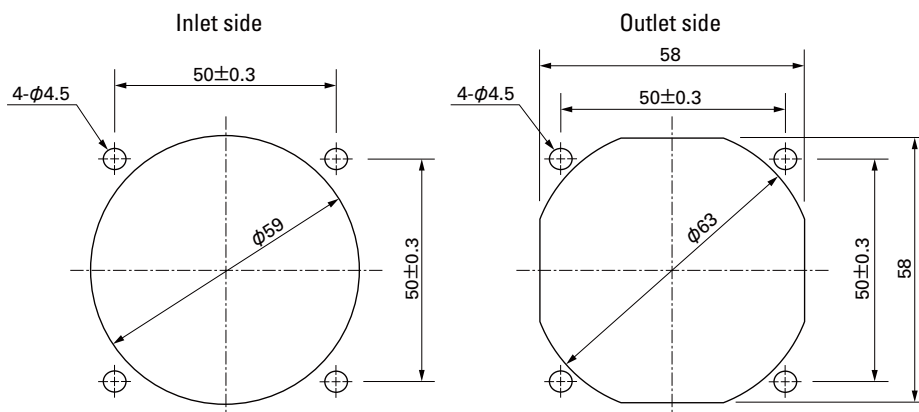
Model No.	Rated Voltage [V]	Frequency [Hz]	Input [W]	Current [A]	Locked Rotor Current [A]	Rated Speed [min ⁻¹]	Max. Airflow [m ³ /min] [CFM]	Max. Static Pressure [Pa] [inchHzO]	SPL [dB(A)]	Operating Temperature [°C]	Expected Life [h]
109-130	100	50/60	6/5	0.08/0.07	0.08/0.07	2,600/3,150	0.33/0.4 11.7/14.1	16.3/23.3 0.065/0.094	28/30	-30 to +60	25,000/60°C
109-133	115			0.07/0.06	0.07/0.06						

Set Models Fan, finger guard, plug cord, screws, etc. can be purchased in one package.
For details, please refer to pp. 453 to 456.

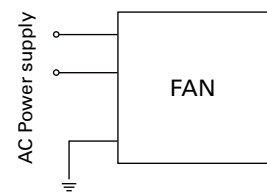
Dimensions (unit: mm)



Reference Dimensions of Mounting Holes and Vent Opening (unit: mm)



Wiring Diagram

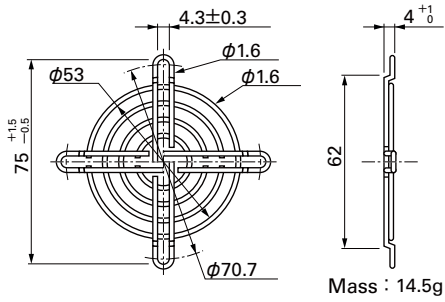


Options (unit: mm)

Finger Guards

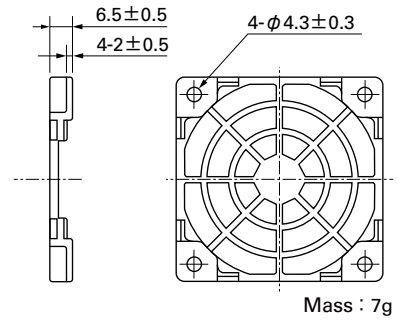
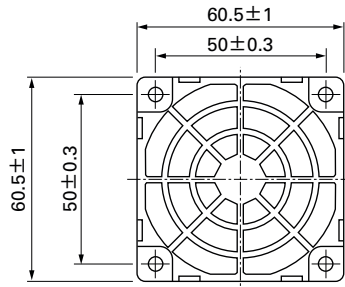
Model : 109-139E Surface treatment : Nickel-chrome plating (silver) Color : Silver
 : 109-139H : Cation electropainting (black)

Inlet side, Outlet side



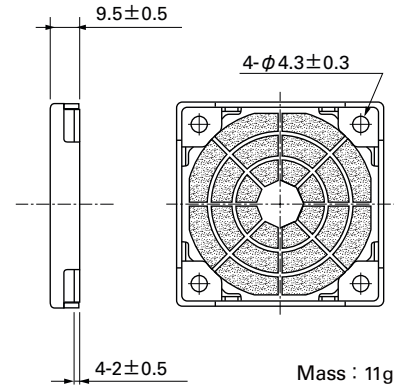
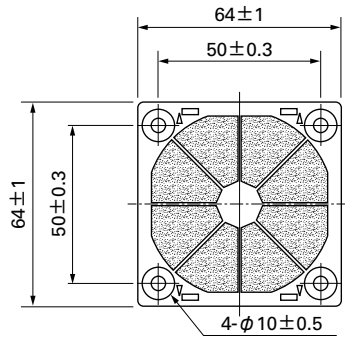
Resin Finger Guards

Model : 109-1003G

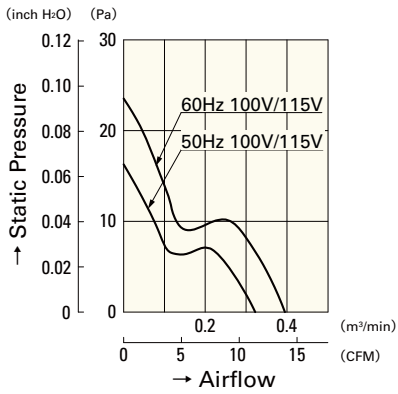


Resin Filter Kits

Model : 109-1003F13 (13PPI), 109-1003F20 (20PPI)
 : 109-1003F30 (30PPI), 109-1003F40 (40PPI)



Airflow - Static Pressure Characteristics



109-130

109-133

80mm sq.

San Ace 80



General Specifications

- Material Frame: Aluminum,
Impeller:Plastics (Flammability: UL94V-1)
- Expected Life Refer to specifications (L10:Survival rate: 90% at 60°C ,
rated voltage,and continuously run in a free air state)
- Dielectric Strength 50/60Hz 1,500VAC 1minute (between lead conductor and frame)
- Lead Wire Black, 2pcs
- Storage Temperature -30°C to +70°C (Non-condensing)
- Operating Voltage Range Voltage of each model ± 10%

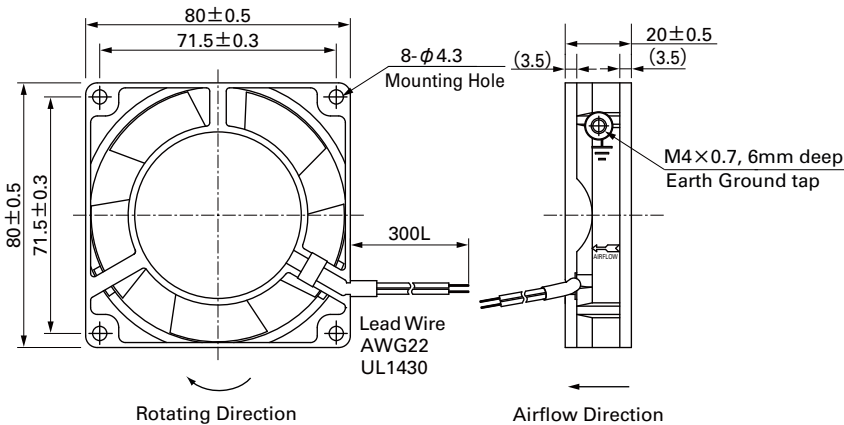
80×80×20mm [Mass : 180g]

Specifications

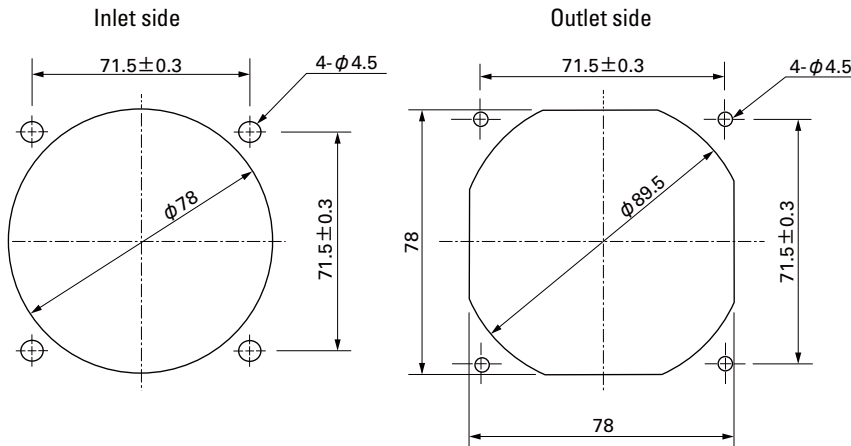
Model No.	Rated Voltage [V]	Frequency [Hz]	Input [W]	Current [A]	Locked Rotor Current [A]	Rated Speed [min ⁻¹]	Max. Airflow [m ³ /min] (CFM)	Max. Static Pressure [Pa] [inchHzO]	SPL [dB(A)]	Operating Temperature [°C]	Expected Life [h]
109-210	100	50/60	6/5	0.07/0.06	0.07/0.06	2,500/3,000	0.44/0.53 15.5/18.7	23.5/31.4 0.094/0.126	26/31	-30 to +60	25,000/60°C
109-213	115			0.06/0.05	0.06/0.05						

Set Models Fan, finger guard, plug cord, screws, etc. can be purchased in one package.
For details, please refer to pp. 453 to 456.

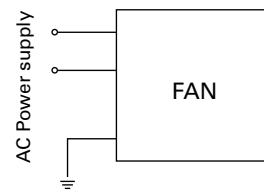
Dimensions (unit: mm)



Reference Dimensions of Mounting Holes and Vent Opening (unit: mm)



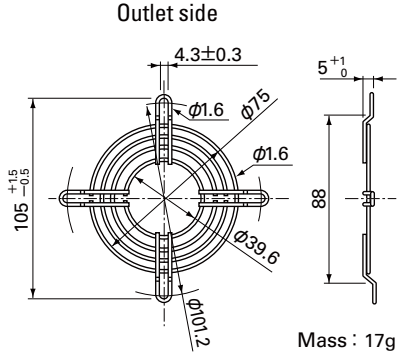
Wiring Diagram



Options (unit: mm)

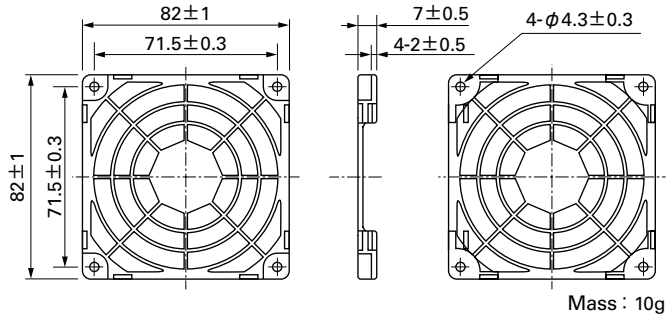
Finger Guards

Model : 109-049C Color : Nickel-chrome plating (silver)
 Surface treatment : Nickel-chrome plating (silver)
 : 109-049H Color : Cation electropainting (black)



Resin Finger Guards

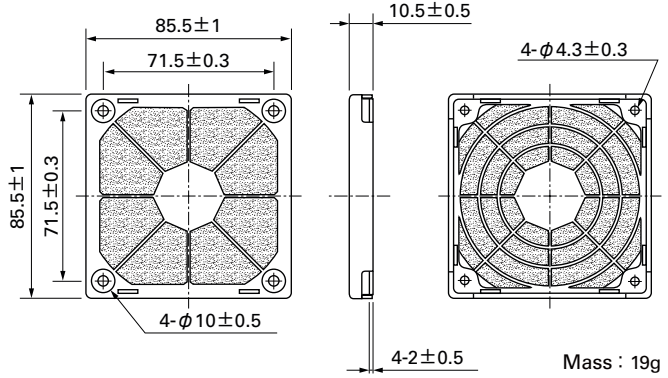
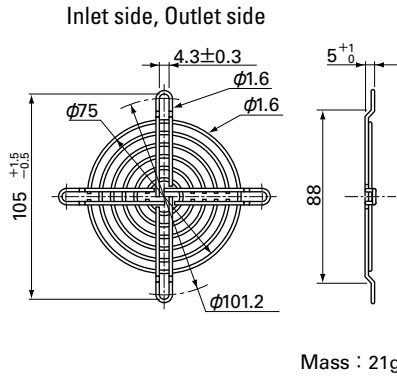
Model : 109-1002G



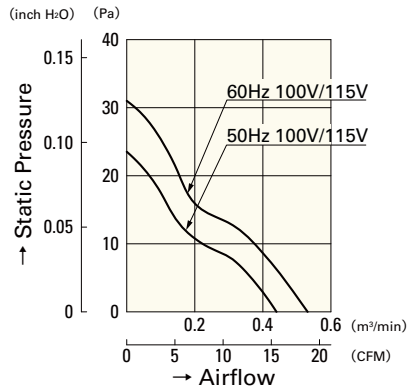
Model : 109-049E Color : Nickel-chrome plating (silver)
 Surface treatment : Nickel-chrome plating (silver)
 : 109-049H Color : Cation electropainting (black)

Resin Filter Kits

Model : 109-1002F13 (13PPI), 109-1002F20 (20PPI)
 : 109-1002F30 (30PPI), 109-1002F40 (40PPI)



Airflow - Static Pressure Characteristics



109-210

109-213

80mm sq.

San Ace 80



General Specifications

- Material Frame: Aluminum,
Impeller:Plastics (Flammability: UL94V-1)
- Expected Life Refer to specifications (L10:Survival rate: 90% at 60°C ,
rated voltage,and continuously run in a free air state)
- Dielectric Strength 50/60Hz 1,500VAC 1minute (between input terminal and frame)
- Storage Temperature -30°C to +70°C (Non-condensing)
- Operating Voltage Range Voltage of each model ± 10%

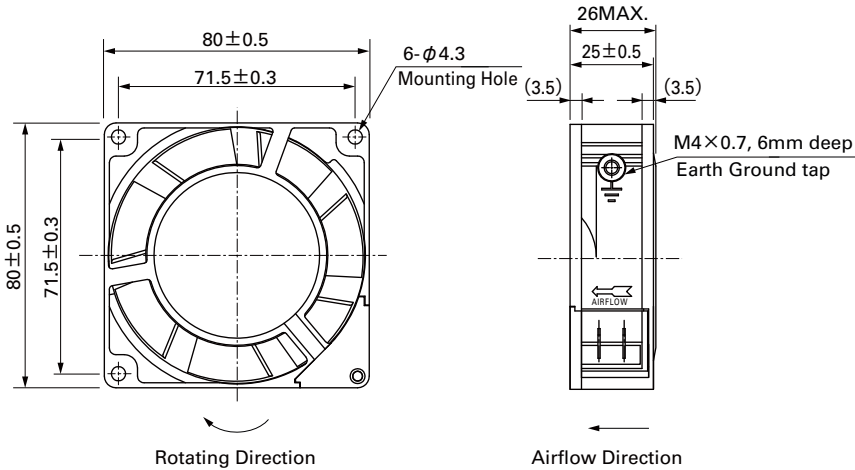
80×80×25mm [Mass : 270g]

Specifications

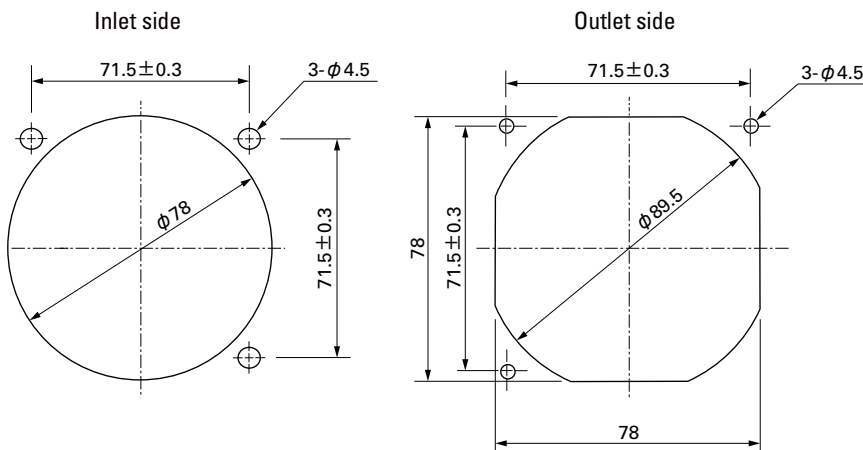
Model No.	Rated Voltage [V]	Frequency [Hz]	Input [W]	Current [A]	Locked Rotor Current [A]	Rated Speed [min ⁻¹]	Max. Airflow [m ³ /min] [CFM]	Max. Static Pressure [Pa] [inchHzO]	SPL [dB(A)]	Operating Temperature [°C]	Expected Life [h]
109S050	100	50/60	9/7	0.12/0.1	0.13/0.11	2,650/3,100	0.63/0.76 22.3/26.9	27.5/38.3 0.110/0.154	30/33	-30 to +60	25,000/60°C
109S053	115			0.1 /0.08	0.11/0.09						
109S051	200			0.06/0.05	0.06/0.05						
109S054	230			0.05/0.04	0.05/0.04						
109S030	100			0.12/0.1	0.13/0.11	2,350/2,700	0.55/0.63 19.4/22.3	21.6/28.4 0.087/0.114	28/30		
109S033	115			0.1 /0.08	0.11/0.09						
109S031	200			0.06/0.05	0.06/0.05						
109S034	230			0.05/0.04	0.05/0.04						

Set Models Fan, finger guard, plug cord, screws, etc. can be purchased in one package. For details, please refer to pp. 453 to 456.

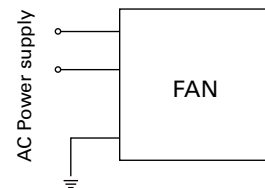
Dimensions (unit: mm)



Reference Dimensions of Mounting Holes and Vent Opening (unit: mm)



Wiring Diagram



80mm sq.

San Ace 80



General Specifications

- Material Frame: Aluminum,
Impeller:Plastics (Flammability: UL94V-1)
- Expected Life Refer to specifications (L10:Survival rate: 90% at 60°C ,
rated voltage,and continuously run in a free air state)
- Dielectric Strength 50/60Hz 1,500VAC 1minute (between input terminal and frame)
- Storage Temperature -30°C to +70°C (Non-condensing)
- Operating Voltage Range Voltage of each model ±10%

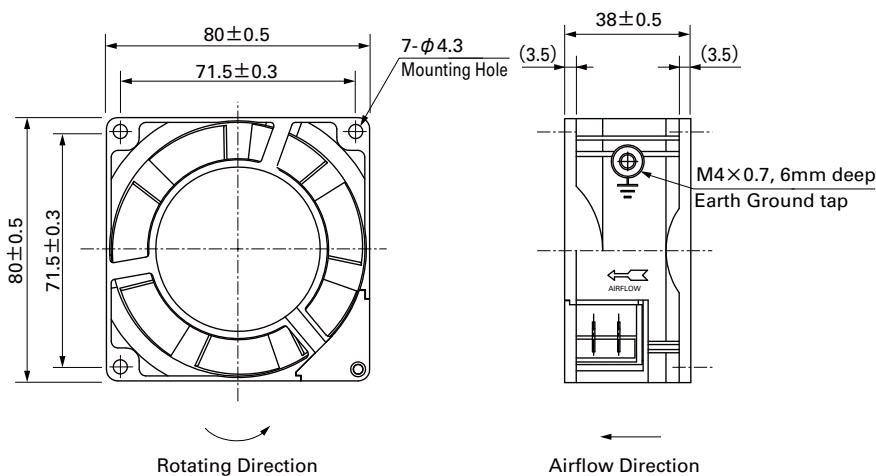
80×80×38mm [Mass : 400g]

Specifications

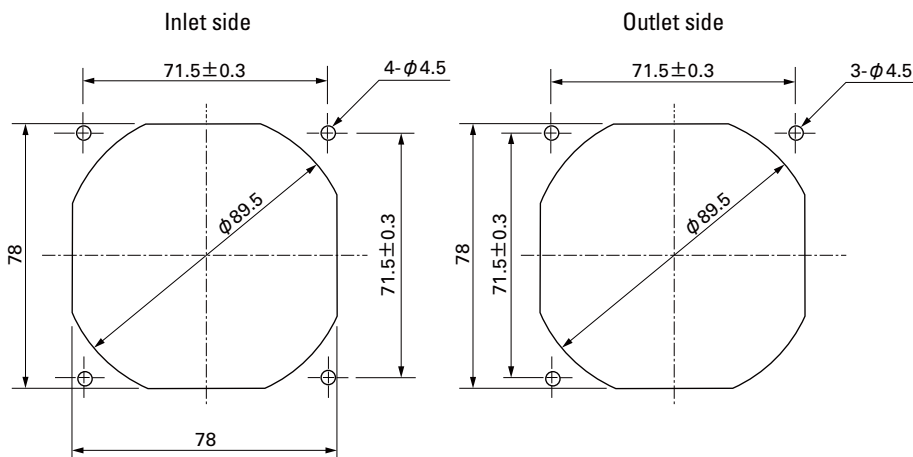
Model No.	Rated Voltage [V]	Frequency [Hz]	Input [W]	Current [A]	Locked Rotor Current [A]	Rated Speed [min ⁻¹]	Max. Airflow [m ³ /min] [CFM]	Max. Static Pressure [Pa] [inchHzO]	SPL [dB(A)]	Operating Temperature [°C]	Expected Life [h]
109-150	100	50/60	9/8	0.13/0.11	0.17/0.15	2,700/3,150	0.9/1.05 31.8/37.1	31.4/44.1 0.126/0.177	35/39	-30 to +60	25,000/60°C
109-153	115			0.11/0.1	0.14/0.12						
109-151	200			0.07/0.06	0.09/0.08						
109-154	230			0.06/0.05	0.08/0.07						

Set Models Fan, finger guard, plug cord, screws, etc. can be purchased in one package. For details, please refer to pp. 453 to 456.

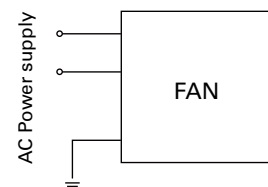
Dimensions (unit: mm)



Reference Dimensions of Mounting Holes and Vent Opening (unit: mm)



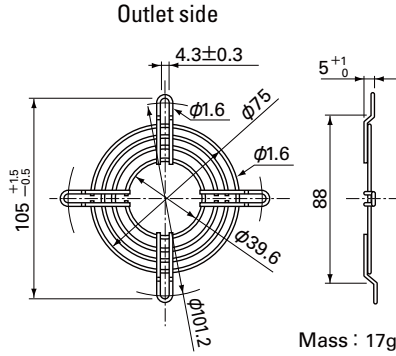
Wiring Diagram



Options (unit: mm)

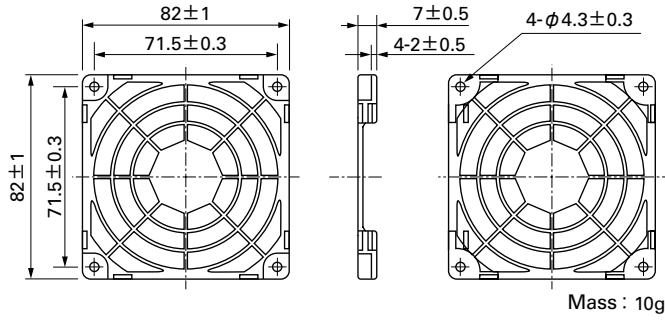
Finger Guards

Model : 109-049C Surface treatment : Nickel-chrome plating (silver) Color

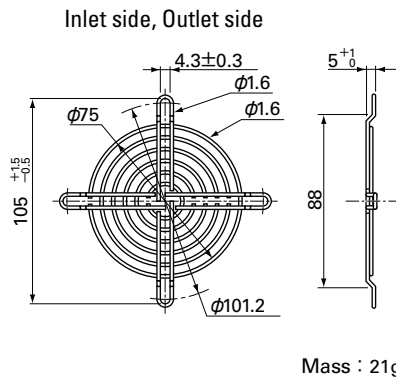


Resin Finger Guards

Model : 109-1002G

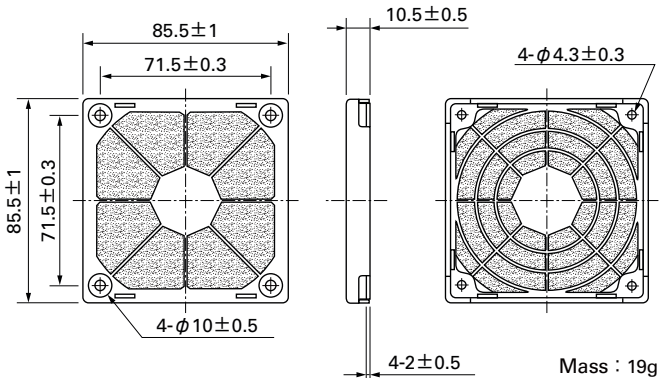


Model : 109-049E Surface treatment : Nickel-chrome plating (silver) Color
: 109-049H : Cation electropainting (black)



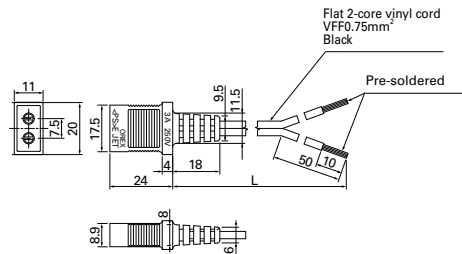
Resin Filter Kits

Model : 109-1002F13 (13PPI), 109-1002F20 (20PPI)
: 109-1002F30 (30PPI), 109-1002F40 (40PPI)

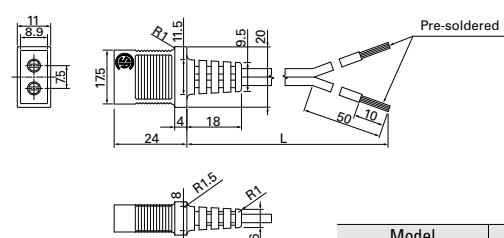


Plug Cord

(Products compliant with Electrical Appliance and Material Safety Law)
Model : 489-016-L10/489-016-L21

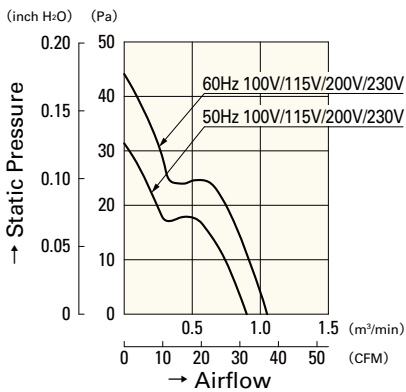


(UL/CSA CERTIFIED)
UL FILE No.E50197 CSA FILE No.LR67048
Model : 489-047-L10/489-047-L21



Model	Power cord length (L) [mm]	Mass [g]
489-016-L10	1,000	34
489-016-L21	2,100	64
489-047-L10	1,000	38
489-047-L21	2,100	71

Airflow - Static Pressure Characteristics



109-150
109-153
109-151
109-154

80mm sq.

San Ace 80



General Specifications

- Material Frame: Aluminum,
Impeller:Plastics (Flammability: UL94V-1)
- Expected Life Refer to specifications (L10:Survival rate: 90% at 60°C ,
rated voltage,and continuously run in a free air state)
- Dielectric Strength 50/60Hz 1,500VAC 1minute (between input terminal and frame)
- Storage Temperature -30°C to +70°C (Non-condensing)
- Operating Voltage Range Voltage of each model ±10%

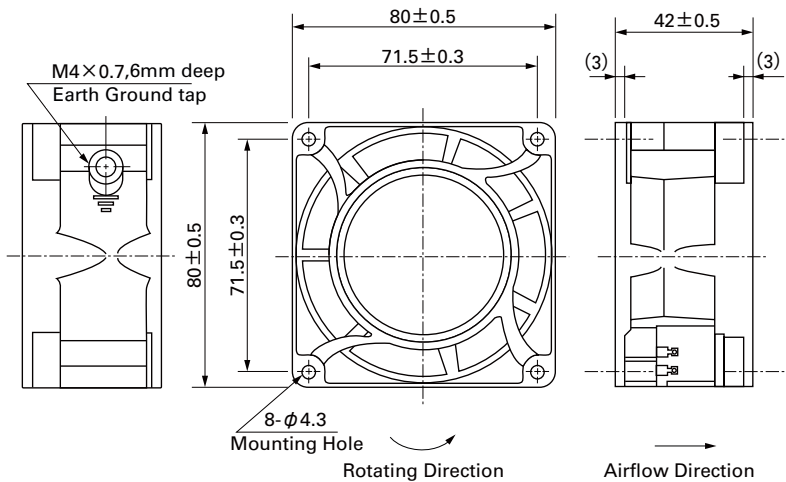
80×80×42mm [Mass : 410g]

Specifications

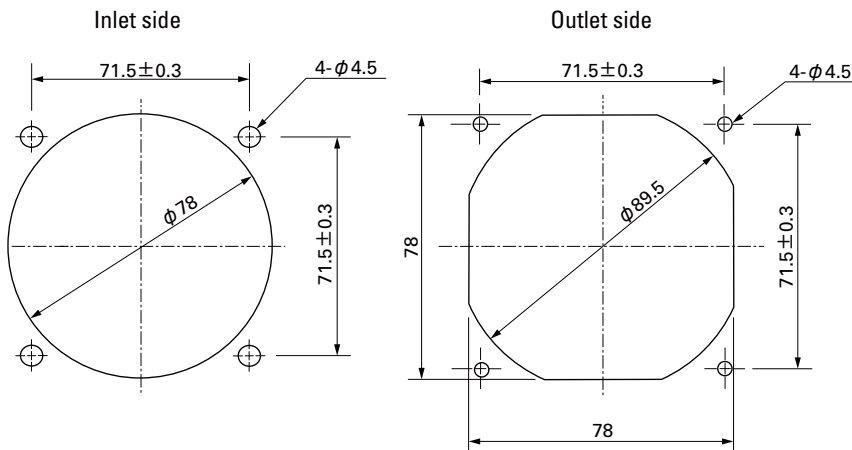
Model No.	Rated Voltage [V]	Frequency [Hz]	Input [W]	Current [A]	Locked Rotor Current [A]	Rated Speed [min ⁻¹]	Max. Airflow [m ³ /min] [CFM]	Max. Static Pressure [Pa] [inchHzO]	SPL [dB(A)]	Operating Temperature [°C]	Expected Life [h]
109-040UL	100	50/60	10/9	0.13/0.11	0.16/0.14	2,650/3,100	0.85/1.0 30.0/35.3	24.5/35.3 0.098/0.142	40/44	-30 to +60	25,000/60°C
109-043UL	115			0.11/0.1	0.14/0.12						
109-041UL	200			0.07/0.06	0.08/0.07						
109-044UL	230			0.06/0.05	0.07/0.06						
109-047UL	100		4/3.5	0.05/0.05	0.05/0.05	1,500/1,500	0.43/0.43 15.2/15.2	8.8/8.8 0.035/0.035	24/24		
109-033UL	115			0.04/0.04	0.04/0.04						

Set Models Fan, finger guard, plug cord, screws, etc. can be purchased in one package. For details, please refer to pp. 453 to 456.

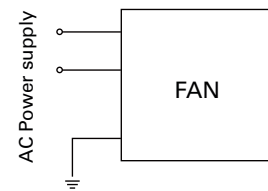
Dimensions (unit: mm)



Reference Dimensions of Mounting Holes and Vent Opening (unit: mm)



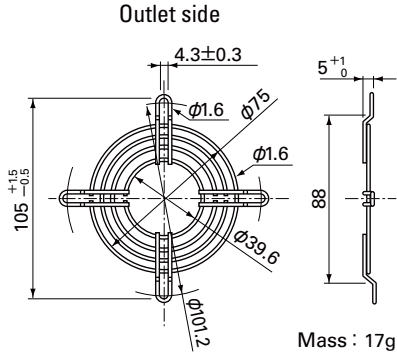
Wiring Diagram



Options (unit: mm)

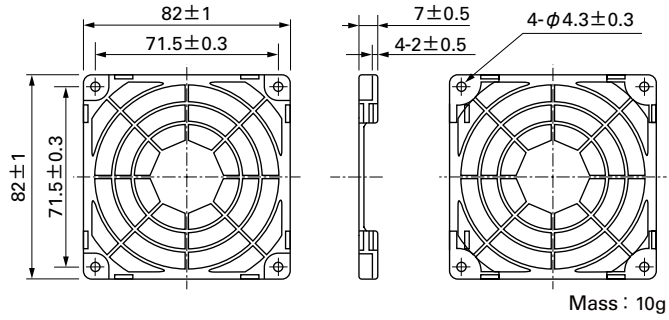
Finger Guards

Model : 109-049C Color Surface treatment : Nickel-chrome plating (silver)



Resin Finger Guards

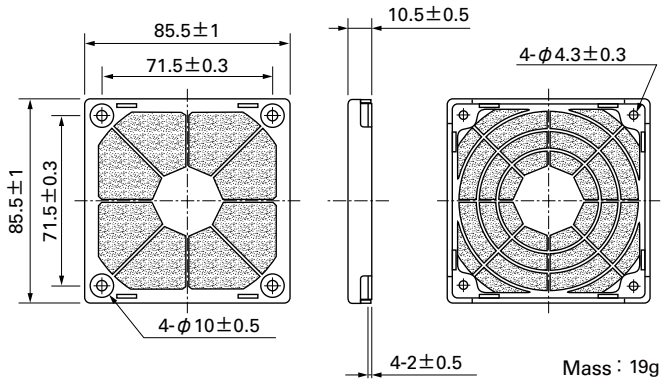
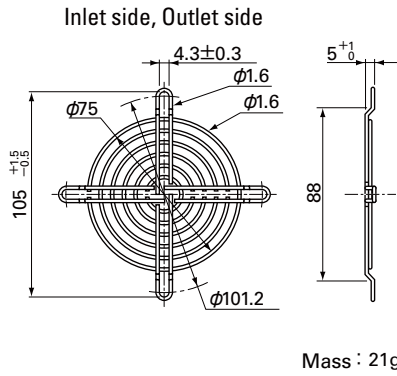
Model : 109-1002G



Model : 109-049E Color Surface treatment : Nickel-chrome plating (silver)
Model : 109-049H : Cation electropainting (black)

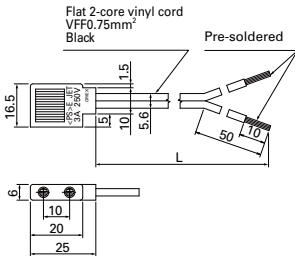
Resin Filter Kits

Model : 109-1002F13 (13PPI), 109-1002F20 (20PPI)
Model : 109-1002F30 (30PPI), 109-1002F40 (40PPI)



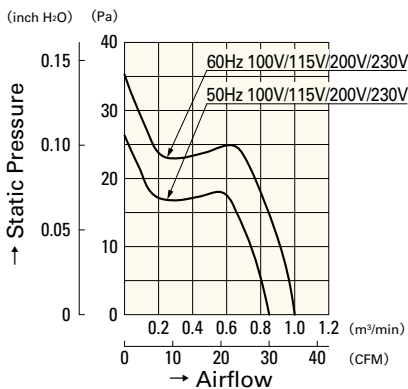
Plug Cord

(Products compliant with Electrical Appliance and Material Safety Law)
Model : 489-008-L10/489-008-L21/489-008-L35

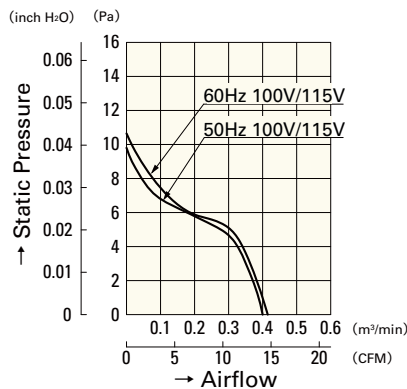


Model	Power cord length (L) [mm]	Mass [g]
489-008-L10	1,000	30
489-008-L21	2,100	61
489-008-L35	3,500	99

Airflow - Static Pressure Characteristics



109-040UL
109-043UL
109-041UL
109-044UL



109-047UL
109-033UL

92_{mm sq.}

San Ace 92



Only standard fans (without sensors) have acquired CSA certification.

General Specifications

- Material..... Frame: Aluminum, Impeller: Plastics (Flammability: UL94V-1)
- Expected Life Refer to specifications (L10:Survival rate: 90% at 60°C , rated voltage,and continuously run in a free air state)
- Dielectric Strength 50/60Hz 1,500VAC 1minute (between input terminal and frame)
- Dielectric Strength (With Sensor) ... Between AC input and DC input(Sensor output)
 - : 50/60Hz 1,000VAC 1minute
 - Between AC input and G
 - : 50/60Hz 1,500VAC 1minute,
 - Between G and DC input(Sensor output)
 - : 50/60Hz 1,000VAC 1minute
- Sensor-Purpose Lead Wire ... ⊕ brown ⊖ black (Sensor) yellow
- Storage Temperature -30°C to +70°C (Non-condensing)
- Operating Voltage Range ... Voltage of each model ±10%

92×92×25mm [Mass : 290g / 310g (with Sensor)]

Specifications Standard

Model No.	Rated Voltage [V]	Frequency [Hz]	Input [W]	Current [A]	Locked Rotor Current [A]	Rated Speed [min ⁻¹]	Max. Airflow [m ³ /min] [CFM]	Max. Static Pressure [Pa] [inchH ₂ O]	SPL [dB(A)]	Operating Temperature [°C]	Expected Life [h]
109S091	100	50/60	8/7	0.1 /0.09	0.13/0.12	2,700/3,100	0.95/1.1 33.6/38.9	39.2/49.0 0.157/0.197	35/38	-30 to +60	25,000/60°C
109S093	115			0.09/0.08	0.11/0.1						
109S092	200		11/10	0.07/0.06	0.08/0.08						
109S094	230		10/9	0.06/0.05	0.07/0.07						
109S095	100		8/7	0.1 /0.09	0.11/0.1	2,400/2,800	0.84/0.98 29.7/34.6	31.4/40.2 0.126/0.161	32/35		
109S096	100		7/6	0.09/0.08	0.09/0.08	1,500/1,700	0.55/0.65 19.4/23	12.5/16.3 0.050/0.065	24/27		
109S193	115			0.08/0.07	0.08/0.07						
109S192	200		8/7	0.06/0.05	0.06/0.05						
109S194	230			0.05/0.04	0.05/0.04						

with Sensor

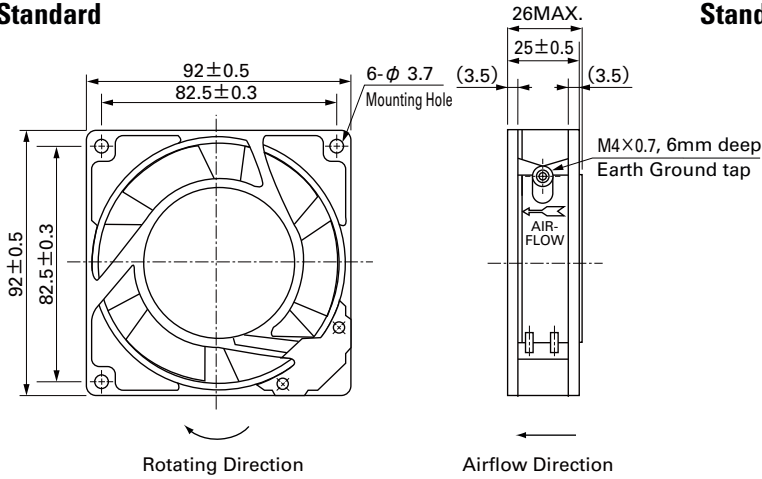
Model No.	Rated Voltage [V]	Frequency [Hz]	Input [W]	Current [A]	Locked Rotor Current [A]	Rated Speed [min ⁻¹]	Max. Airflow [m ³ /min] [CFM]	Max. Static Pressure [Pa] [inchH ₂ O]	SPL [dB(A)]	Operating Temperature [°C]	Expected Life [h]
109S491	100	50/60	8/7	0.1 /0.09	0.13/0.12	2,700/3,100	0.95/1.1 33.6/38.9	39.2/49.0 0.157/0.197	35/38	-10 to +60	25,000/60°C
109S493	115			0.09/0.08	0.11/0.1						
109S492	200		11/10	0.07/0.06	0.08/0.08						
109S494	230		10/9	0.06/0.05	0.07/0.07						
109S495	100		8/7	0.1 /0.09	0.11/0.1	2,400/2,800	0.84/0.98 29.7/34.6	31.4/40.2 0.126/0.161	32/35		
109S496			7/6	0.09/0.08	0.09/0.08	1,500/1,700	0.55/0.65 19.4/23	12.5/16.3 0.050/0.065	24/27		

Two types of power supplies, 5V (ITEM-20) and 12V (ITEM-30), are available in fans with sensor attached.

- Set Models** Fan, finger guard, plug cord, screws, etc. can be purchased in one package. For details, please refer to pp. 453 to 456.

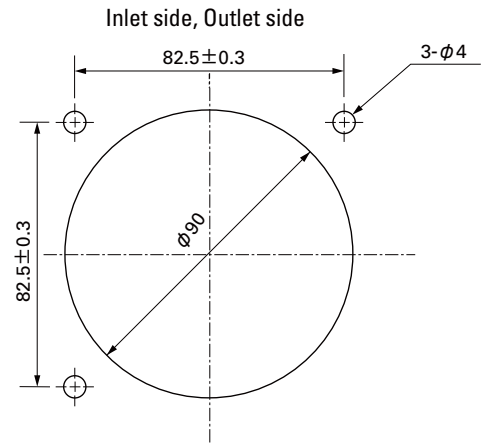
Dimensions (unit: mm)

Standard

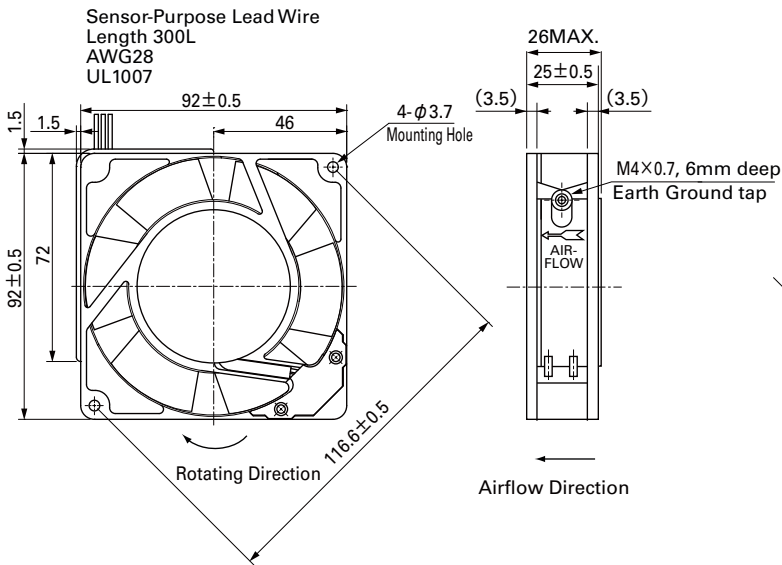


Reference Dimensions of Mounting Holes and Vent Opening (unit: mm)

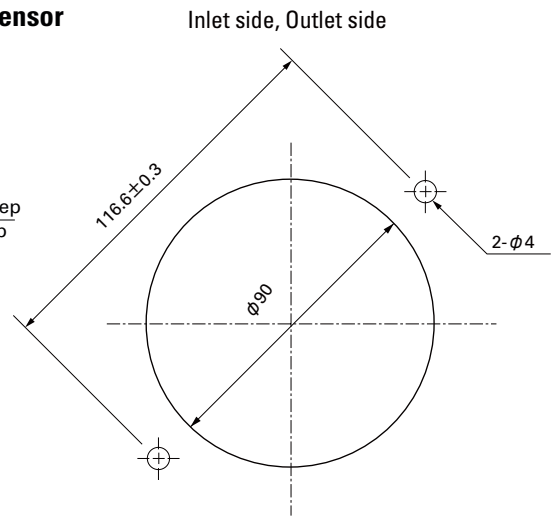
Standard



with Sensor

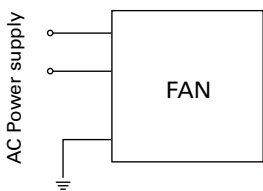


with Sensor



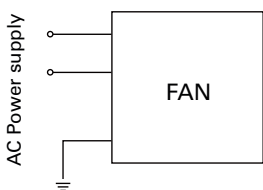
Wiring Diagram

Standard

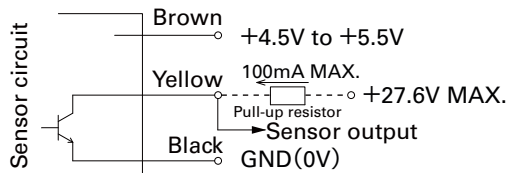


with Sensor

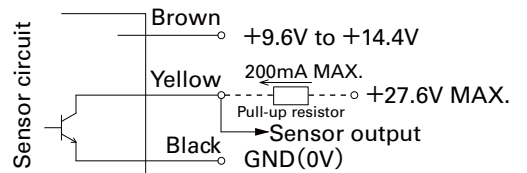
(For fan power supply)



5V (ITEM-20)



12V (ITEM-30)



GND (Black) should be shared in case that power supply for sensor circuit (Brown) and that for sensor pull-up (Yellow) are separated.

92 mm sq.

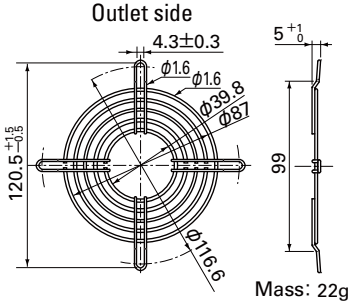
San Ace 92

92×92×25mm [Mass : 290g / 310g (with Sensor)]

Options (unit: mm)

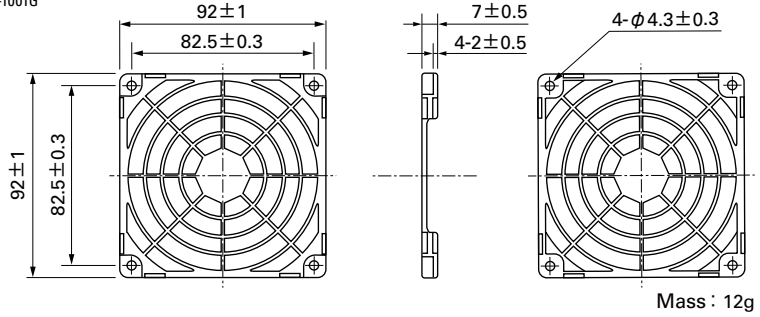
Finger Guards

Model : 109-099C Surface treatment : Nickel-chrome plating (silver) Color



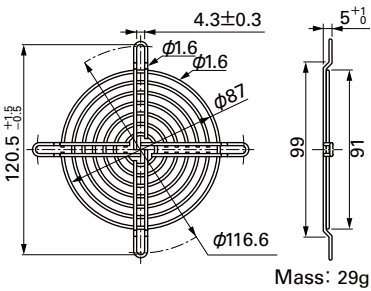
Resin Finger Guards

Model : 109-1001G



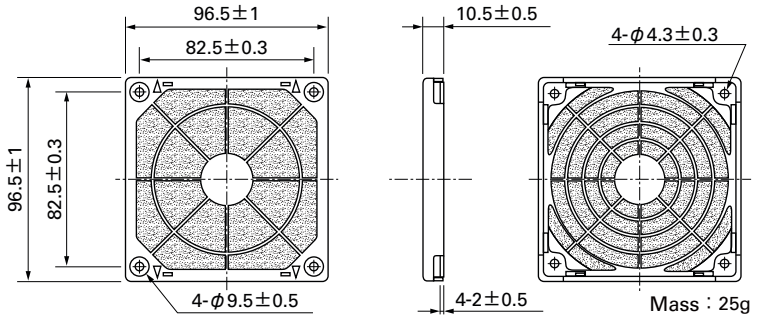
Model : 109-099E Surface treatment : Nickel-chrome plating (silver) Color
: 109-099H : Cation electroplating (black)

Inlet side, Outlet side



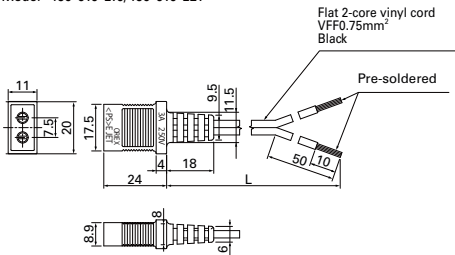
Resin Filter Kits

Model : 109-1001F13 (13PPI), 109-1001F20 (20PPI)
: 109-1001F30 (30PPI), 109-1001F40 (40PPI)

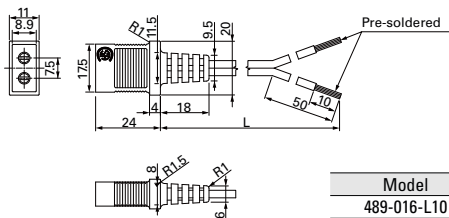


Plug Cord

(Products compliant with Electrical Appliance and Material Safety Law)
Model : 489-016-L10/489-016-L21



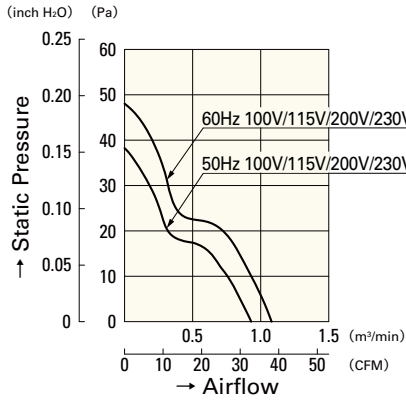
(UL/CSA CERTIFIED)
UL FILE No.E50197 CSA FILE No.LR67048
Model : 489-047-L10/489-047-L21



Model	Power cord length (L) [mm]	Mass [g]
489-016-L10	1,000	34
489-016-L21	2,100	64
489-047-L10	1,000	38
489-047-L21	2,100	71

Airflow - Static Pressure Characteristics

Standard

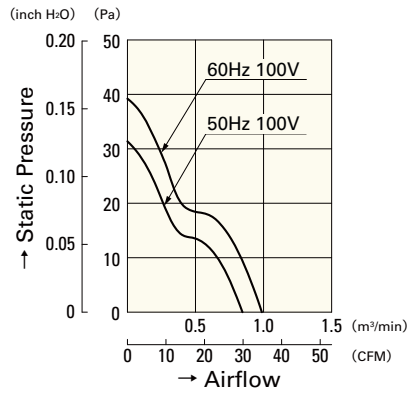


109S091

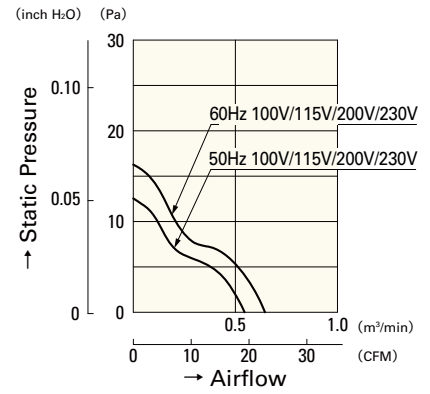
109S093

109S092

109S094



109S095



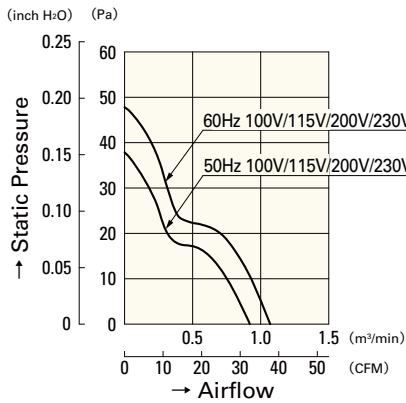
109S096

109S193

109S192

109S194

with Sensor

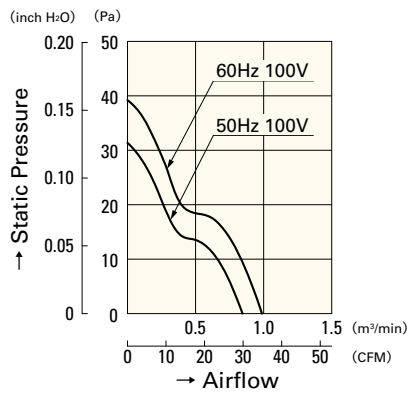


109S491

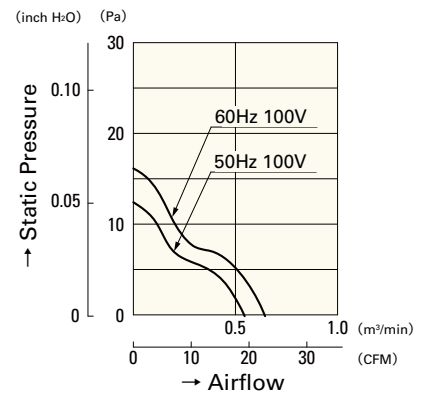
109S493

109S492

109S494



109S495



109S496

120mm sq.

San Ace 120



Only standard fans (without sensors) have acquired CSA certification.

General Specifications

- Material..... Frame: Aluminum,
Impeller: Plastics (Flammability: UL94V-1)
- Expected Life Refer to specifications (L10:Survival rate: 90% at 60°C ,
rated voltage,and continuously run in a free air state)
- Dielectric Strength 50/60Hz 1,500VAC 1minute (between input terminal and frame)
- Dielectric Strength (With Sensor) ... Between AC input and DC input(Sensor output)
: 50/60Hz 1,000VAC 1minute
Between AC input and G
: 50/60Hz 1,500VAC 1minute,
Between G and DC input(Sensor output)
: 50/60Hz 1,000VAC 1minute
- Sensor-Purpose Lead Wire ... ⊕ brown ⊖ black (Sensor) yellow
- Storage Temperature -30°C to+70°C (Non-condensing)
- Operating Voltage Range ... Voltage of each model ±10%

120×120×25mm [Mass : 370g / 390g (with Sensor)]

Specifications Standard

Model No.	Rated Voltage [V]	Frequency [Hz]	Input [W]	Current [A]	Locked Rotor Current [A]	Rated Speed [min ⁻¹]	Max. Airflow [m ³ /min] [CFM]	Max. Static Pressure [Pa] [inchHzO]	SPL [dB(A)]	Operating Temperature [°C]	Expected Life [h]
109S085	100	50/60	13.5/12	0.16/0.14	0.19/0.17	2,500/2,900	1.95/2.3 68.9/81.3	48 /51.9 0.193/0.216	38/41	-30 to +60	25,000/60°C
109S084	115			0.14/0.12	0.16/0.15						
109S088	200			0.08/0.07	0.1 /0.09						
109S087	230			0.07/0.06	0.08/0.07						
109S081	100	9.5/8.5	12/10	0.11	0.11/0.1	2,200/2,350	1.7 /1.8 60.1/63.6	29.4/26.5 0.118/0.106	34/35		
109S083	115			0.1	0.1 /0.09						
109S082	200			0.07	0.07/0.06						
109S089	230			0.06	0.06/0.05						
109S086	100	12/10	0.14/0.12	0.15/0.13	1,400/1,600	1.1 /1.25 38.9/44.2	14.7/18.6 0.059/0.075	24/27			

with Sensor

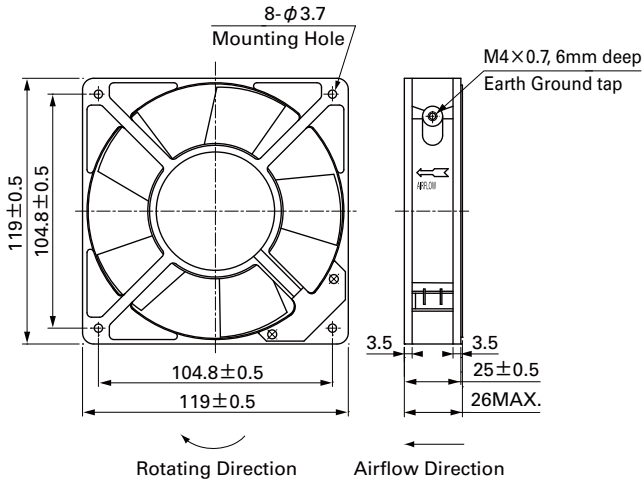
Model No.	Rated Voltage [V]	Frequency [Hz]	Input [W]	Current [A]	Locked Rotor Current [A]	Rated Speed [min ⁻¹]	Max. Airflow [m ³ /min] [CFM]	Max. Static Pressure [Pa] [inchHzO]	SPL [dB(A)]	Operating Temperature [°C]	Expected Life [h]
109S485	100	50/60	13.5/12	0.16/0.14	0.19/0.17	2,500/2,900	1.95/2.3 68.9/81.3	48 /51.9 0.193/0.216	38/41	-10 to +60	25,000/60°C
109S484	115			0.14/0.12	0.16/0.15						
109S488	200			0.08/0.07	0.1 /0.09						
109S487	230			0.07/0.06	0.08/0.07						
109S486	100	12/10	0.14/0.12	0.15/0.13	1,400/1,600	1.1 /1.25 38.9/44.2	14.7/18.6 0.059/0.075	24/27			

Two types of power supplies, 5V (ITEM-20) and 12V (ITEM-30), are available in fans with sensor attached.

- Set Models** Fan, finger guard, plug cord, screws, etc. can be purchased in one package.
For details, please refer to pp. 453 to 456.

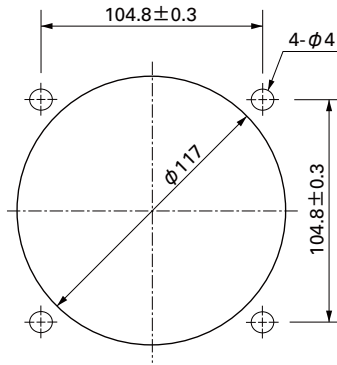
■ Dimensions (unit: mm)

Standard

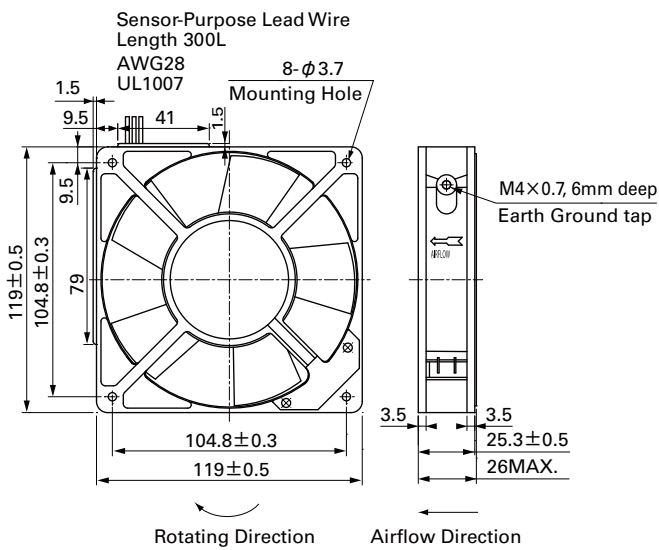


■ Reference Dimensions of Mounting Holes and Vent Opening (unit: mm)

Inlet side, Outlet side

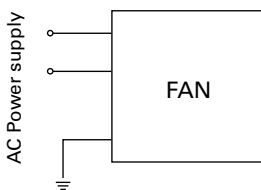


with Sensor When mounting the model with a sensor, please screw-mount through both flanges as it has a sensor box.



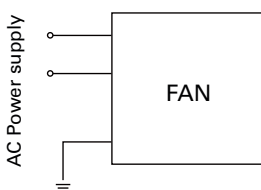
■ Wiring Diagram

Standard

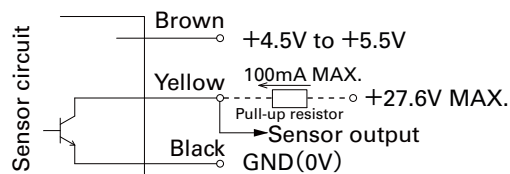


with Sensor

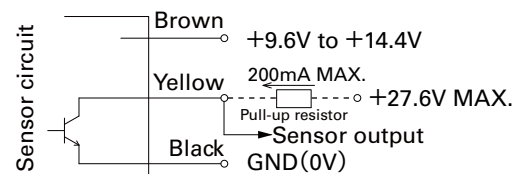
(For fan power supply)



5V (ITEM-20)



12V (ITEM-30)



GND (Black) should be shared in case that power supply for sensor circuit (Brown) and that for sensor pull-up (Yellow) are separated.

120 mm sq.

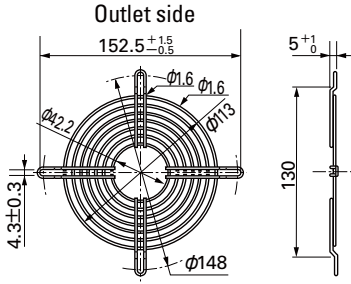
San Ace 120

120×120×25 mm (Mass : 370g / 390g (with Sensor))

Options (unit: mm)

Finger Guards

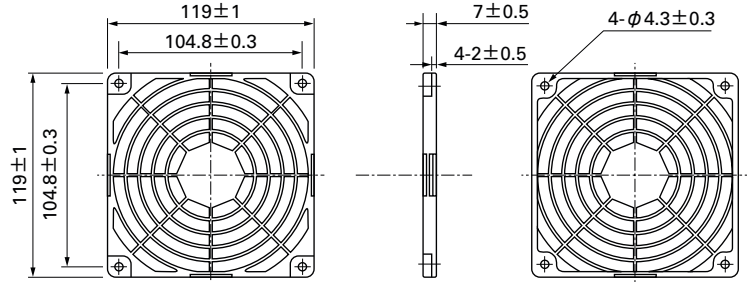
Model : 109-019C Surface treatment : Nickel-chrome plating (silver) Color
 : 109-019H : Cation electropainting (black)



Mass : 32g

Resin Finger Guards

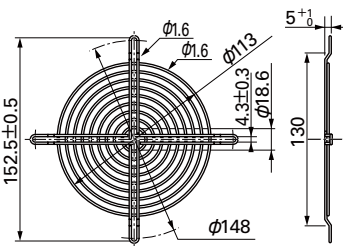
Model : 109-1000G



Mass : 23g

Model : 109-019E Surface treatment : Nickel-chrome plating (silver) Color
 : 109-019K : Cation electropainting (black)

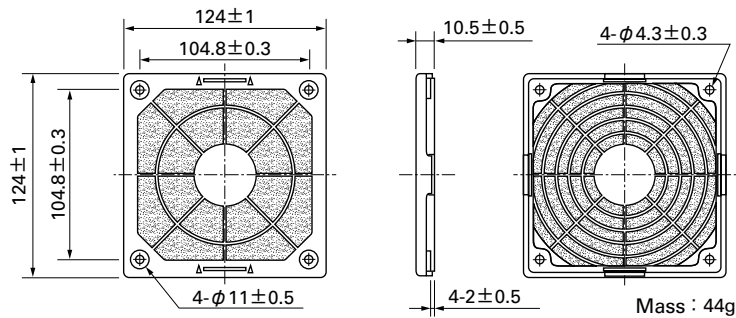
Inlet side, Outlet side



Mass : 42g

Resin Filter Kits

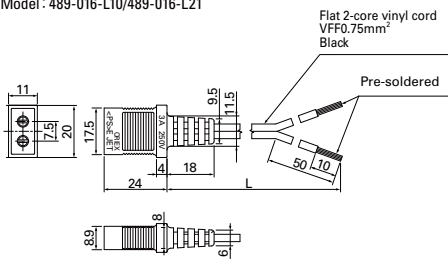
Model : 109-1000F13 (13PPI), 109-1000F20 (20PPI)
 : 109-1000F30 (30PPI), 109-1000F40 (40PPI)



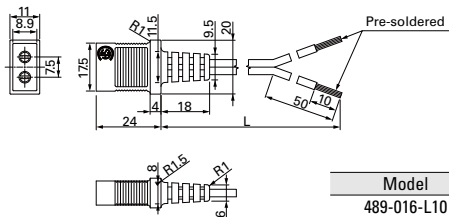
Mass : 44g

Plug Cord

(Products compliant with Electrical Appliance and Material Safety Law)
 Model : 489-016-L10/489-016-L21



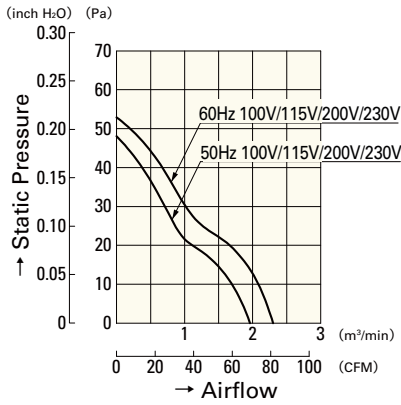
(UL/CSA CERTIFIED)
 UL FILE No.E50197 CSA FILE No.LR67048
 Model : 489-047-L10/489-047-L21



Model	Power cord length (L) (mm)	Mass (g)
489-016-L10	1,000	34
489-016-L21	2,100	64
489-047-L10	1,000	38
489-047-L21	2,100	71

Airflow - Static Pressure Characteristics

Standard

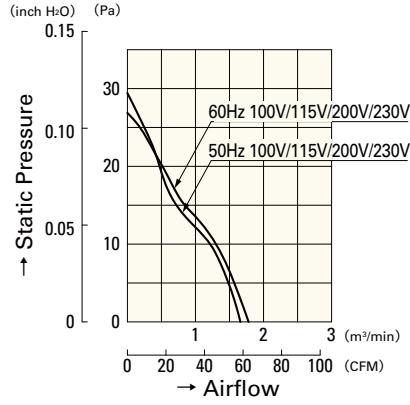


109S085

109S084

109S088

109S087

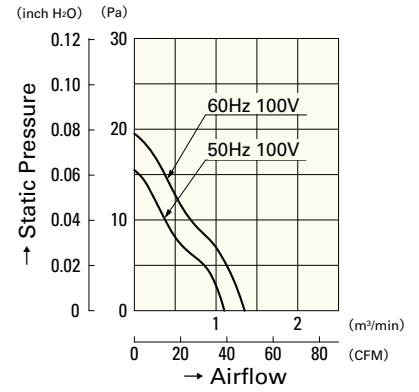


109S081

109S083

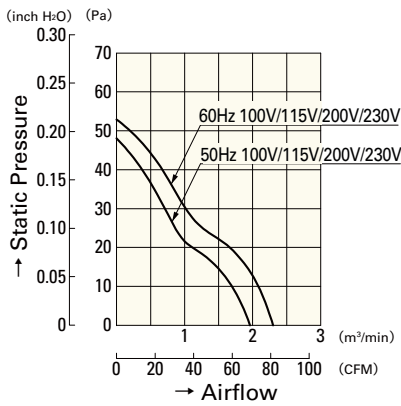
109S082

109S089



109S086

with Sensor

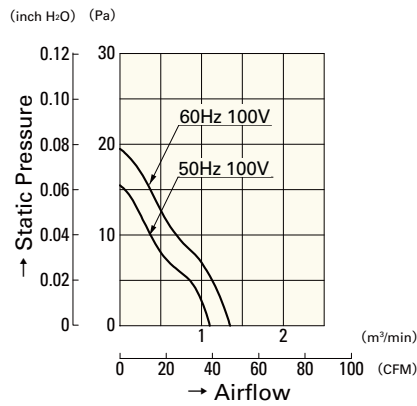


109S485

109S484

109S488

109S487



109S486

120mm sq.**San Ace 120**

Certifications vary by model no.
Please refer to pp. 514 to 515.

General Specifications

- Material..... Frame: Aluminum,
Impeller: Plastics (Flammability: UL94V-1)
- Expected Life Refer to specifications (L10:Survival rate: 90% at 60°C ,
rated voltage,and continuously run in a free air state)
- Dielectric Strength 50/60Hz 1,500VAC 1minute (between input terminal and frame)
- Dielectric Strength (With Sensor) ... Between AC input and DC input(Sensor output)
: 50/60Hz 1,000VAC 1minute
Between AC input and G
: 50/60Hz 1,500VAC 1minute,
Between G and DC input(Sensor output)
: 50/60Hz 1,000VAC 1minute
- Sensor-Purpose Lead Wire ... ⊕ brown ⊖ black (Sensor) yellow
- Storage Temperature -30°C to +70°C (Non-condensing)
- Operating Voltage Range ... Voltage of each model ±10%

120×120×38mm [Mass : 550g / 580g (with Sensor)]

Specifications Standard

Model No.	Rated Voltage [V]	Frequency [Hz]	Input [W]	Current [A]	Locked Rotor Current [A]	Rated Speed [min ⁻¹]	Max. Airflow [m ³ /min] [CFM]	Max. Static Pressure [Pa] [inchH ₂ O]	SPL [dB(A)]	Operating Temperature [°C]	Expected Life [h]			
109S075UL	100	50/60	18/16	0.24/0.21	0.32/0.28	2,700/3,100	2.5 / 2.9 88.3/102.5	57.9/68.7 0.233/0.276	42/45	-30 to +60	25,000/60°C			
109S074UL	115			0.21/0.18	0.27/0.24									
109S078UL	200			0.12/0.1	0.16/0.14									
109S072UL	230			0.11/0.09	0.14/0.13									
109S005	100		14/12	0.18/0.16	0.25/0.22	2,700/3,100	2.35/2.7 83 / 95.4	55.9/65.7 0.224/0.264	40/43					
109S005UL	100													
109S024	120											0.16/0.14	0.21/0.18	
109S024UL	115											0.09/0.08	0.13/0.11	
109S008	200		7/7	0.1 / 0.09	0.1 / 0.09	1,650/1,700	1.45/1.5 51.2/ 53	17.6/17.6 0.071/0.071	28/28					
109S008UL	200													
109S025	230											0.13/0.11	0.13/0.11	
109S025UL	230											0.08/0.07	0.11/0.09	
109S029UL	100	10/10	0.18/0.16	0.23/0.21	2,450/2,700	2.15/2.35 76 / 83	44.1/49.0 0.177/0.197	38/40						
109S013	100								0.16/0.14	0.16/0.15	1,800/2,000	1.55/1.75 54.8/ 60.8	23.5/26.4 0.094/0.106	30/32
109S013UL	100								0.13/0.11	0.13/0.11	1,800/1,900	1.56/1.64 55 / 57.9	20 /20.6 0.080/0.083	30/31
109S006	115								0.05/0.04	0.05/0.04	1,650/1,700	1.45/1.5 51.2/ 53	17.6/17.6 0.071/0.071	28/28
109S006UL	115	7/7	0.06/0.05	0.06/0.05	1,800/1,950	1.58/1.68 55.8/ 59.3	20.6/21.6 0.083/0.087	30/32						
109S010	200													
109S010UL	240	11/11	0.06/0.05	0.06/0.05	1,800/1,950	1.58/1.68 55.8/ 59.3	20.6/21.6 0.083/0.087	30/32						

with Sensor

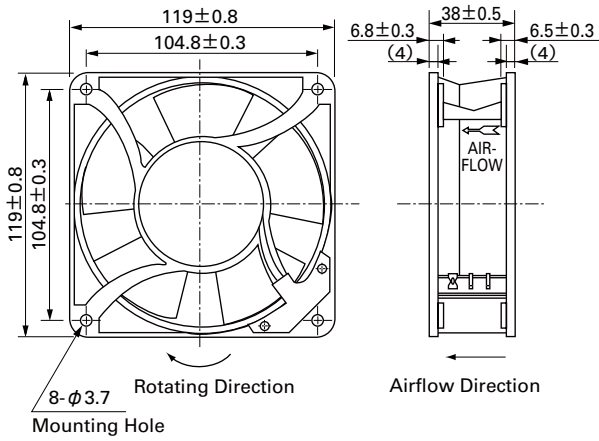
Model No.	Rated Voltage [V]	Frequency [Hz]	Input [W]	Current [A]	Locked Rotor Current [A]	Rated Speed [min ⁻¹]	Max. Airflow [m ³ /min] [CFM]	Max. Static Pressure [Pa] [inchH ₂ O]	SPL [dB(A)]	Operating Temperature [°C]	Expected Life [h]							
109S405UL	100	50/60	14/12	0.18/0.16	0.25/0.22	2,700/3,100	2.35/2.7 83/95.4	55.9/65.7 0.224/0.264	40/43	-10 to +60	25,000/60°C							
109S424UL	115			0.16/0.14	0.21/0.18													
109S408UL	200			0.09/0.08	0.13/0.11													
109S425UL	230			0.08/0.07	0.11/0.09													
109S429UL	100		7/6	0.18/0.16	0.23/0.21	2,450/2,700	2.15/2.35 76/83	44.1/49.0 0.177/0.197	38/40									
109S406UL	100											0.09/0.08	0.1 / 0.09	1,650/1,700	1.45/1.5 51/53	17.7/17.7 0.071/0.071	28/28	
109S475UL	100											18/16	0.24/0.21	0.32/0.28	2,700/3,100	2.5 / 2.9 88.3/102.4	57.9/68.7 0.233/0.276	42/45
109S474UL	115																	
109S478UL	200		0.12/0.1	0.16/0.14														
109S472UL	230		0.11/0.09	0.14/0.13														

Two types of power supplies, 5V (ITEM-20) and 12V (ITEM-30), are available in fans with sensor attached.

- Set Models** Fan, finger guard, plug cord, screws, etc. can be purchased in one package.
For details, please refer to pp. 453 to 456.

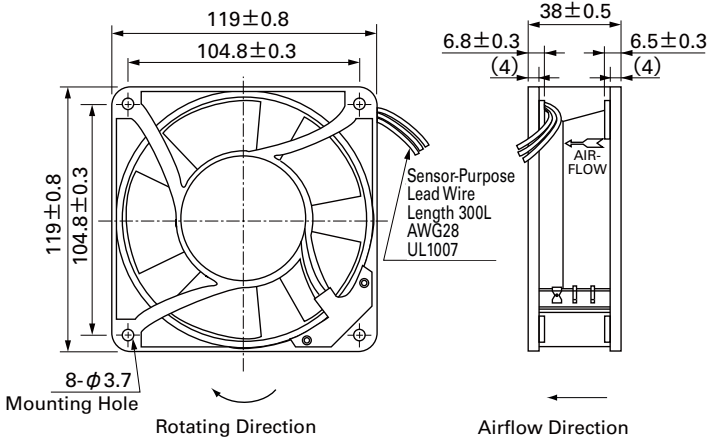
Dimensions (unit: mm)

Standard

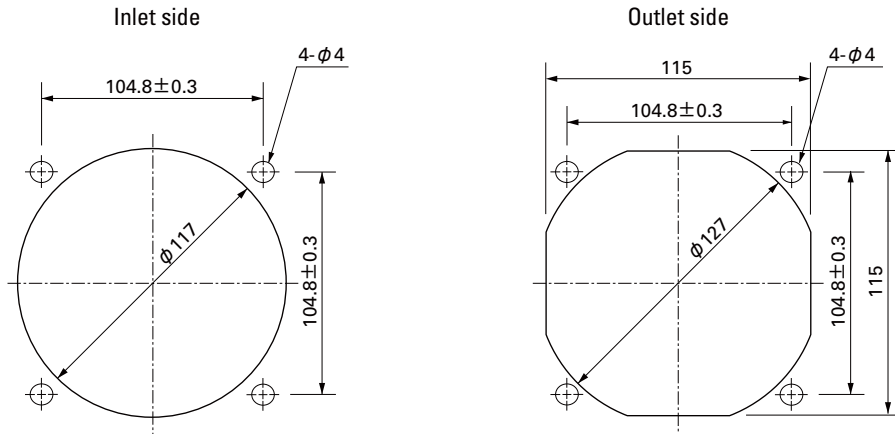


with Sensor

When mounting the model with a sensor, please screw-mount through both flanges as it has a sensor box.

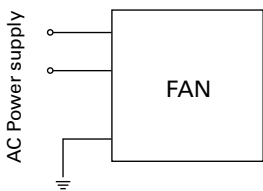


Reference Dimensions of Mounting Holes and Vent Opening (unit: mm)



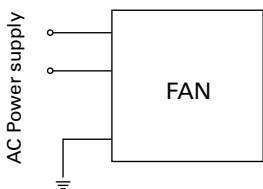
Wiring Diagram

Standard

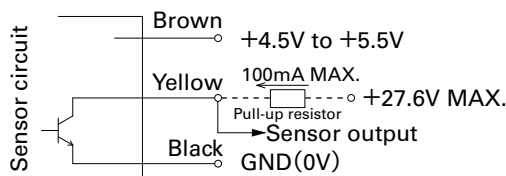


with Sensor

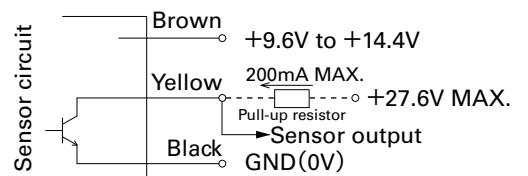
(For fan power supply)



5V (ITEM-20)



12V (ITEM-30)



GND (Black) should be shared in case that power supply for sensor circuit (Brown) and that for sensor pull-up (Yellow) are separated.

120 mm sq.

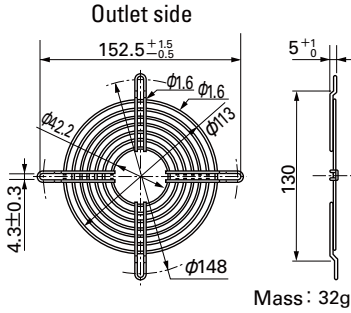
San Ace 120

120×120×38mm [Mass : 550g / 580g (with Sensor)]

Options (unit: mm)

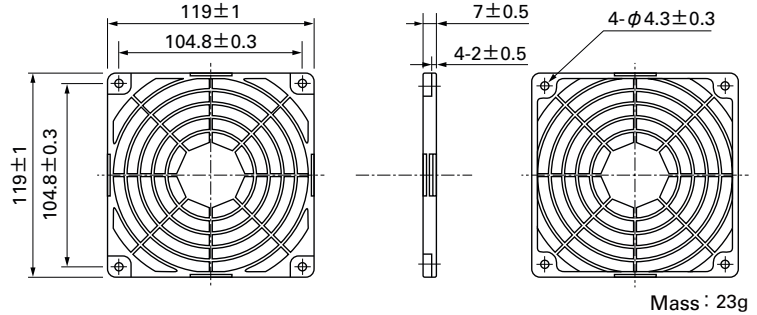
Finger Guards

Model : 109-019C Surface treatment : Nickel-chrome plating (silver) Color
: 109-019H : Cation electropainting (black)

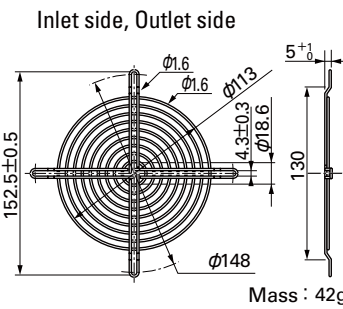


Resin Finger Guards

Model : 109-1000G

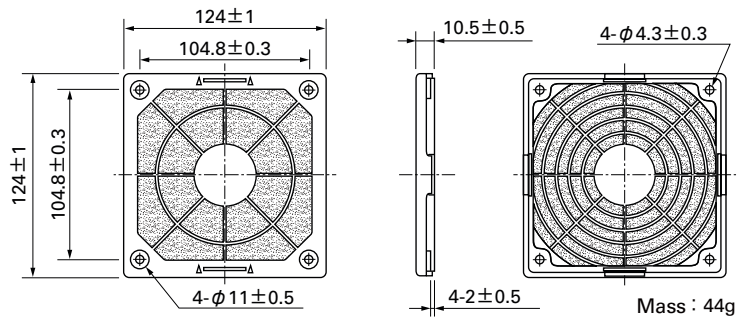


Model : 109-019E Surface treatment : Nickel-chrome plating (silver) Color
: 109-019K : Cation electropainting (black)



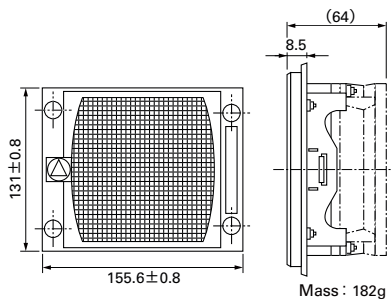
Resin Filter Kits

Model : 109-1000F13 (13PPI), 109-1000F20 (20PPI), 109-1000F30 (30PPI), 109-1000F40 (40PPI)



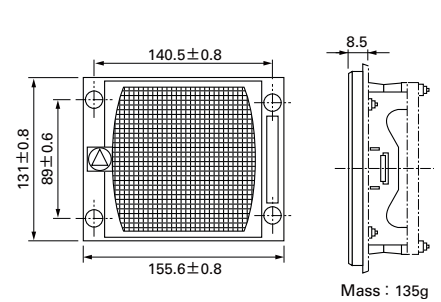
Filter Kits

Model : 109-018 Applicable models : AC Fan 120×120×38mm



Screen Kits

Model : 109-020 Applicable models : AC Fan 120×120×38mm

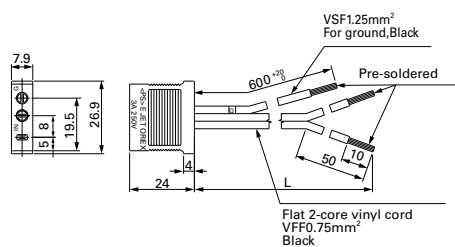


Neither filterkit nor screenkit can be installed on fans with sensor.

Plug Cord

Exclusive for fans without UL at the end of the model number.

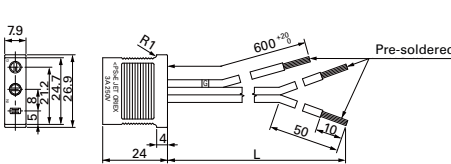
(Products compliant with Electrical Appliance and Material Safety Law)
Model : 489-006-L10/489-006-L21/489-006-L35



Model	Power cord length (L) [mm]	Mass [g]
489-006-L10	1,000	47
489-006-L21	2,100	76
489-006-L35	3,500	114

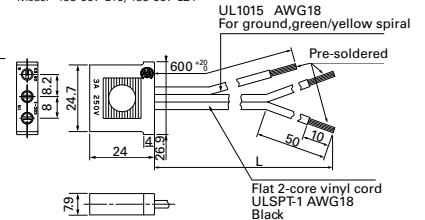
Exclusive for fans with UL at the end of the model number.

(Products compliant with Electrical Appliance and Material Safety Law)
Model : 489-037-L10/489-037-L21/489-037-L35



(UL/CSA CERTIFIED)

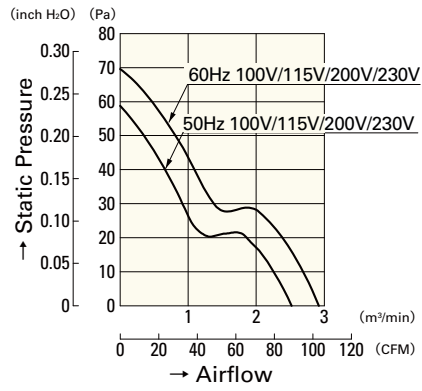
UL FILE No.E50197 CSA FILE No.LR67048
Model : 489-007-L10/489-007-L21



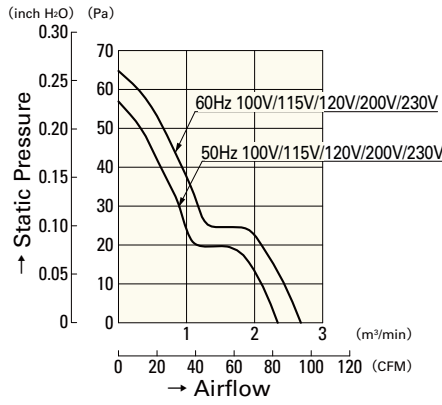
Model	Power cord length (L) [mm]	Mass [g]
489-037-L10	1,000	46
489-037-L21	2,100	76
489-037-L35	3,500	114
489-007-L10	1,000	48
489-007-L21	2,100	80

Airflow - Static Pressure Characteristics

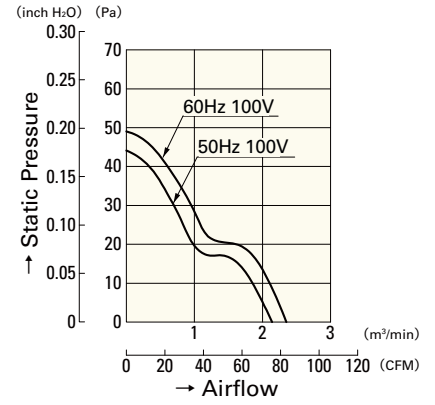
Standard



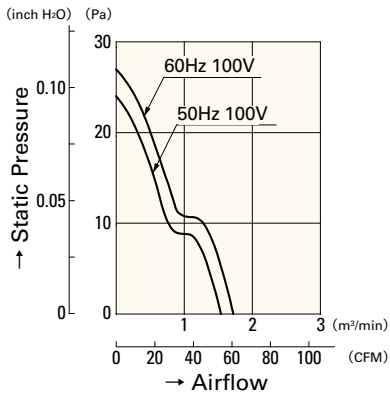
109S075UL **109S074UL**
109S078UL **109S072UL**



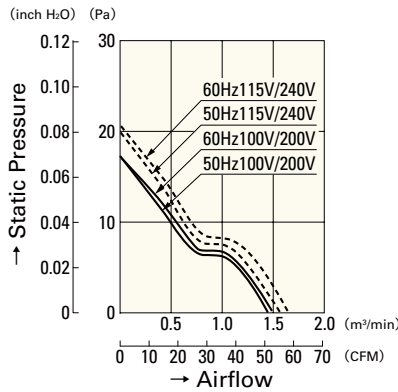
109S005 **109S005UL**
109S024 **109S024UL**
109S008 **109S008UL**
109S025 **109S025UL**



109S029UL

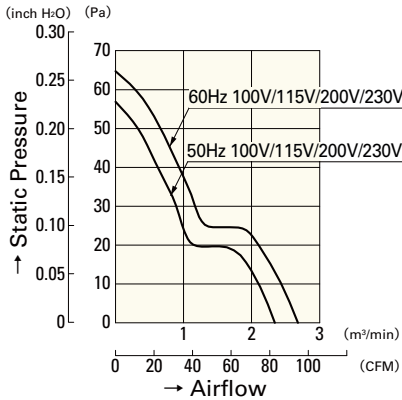


109S013
109S013UL

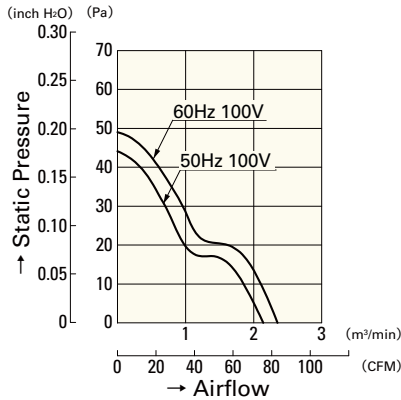


109S006 **109S006UL**
109S010 **109S010UL**

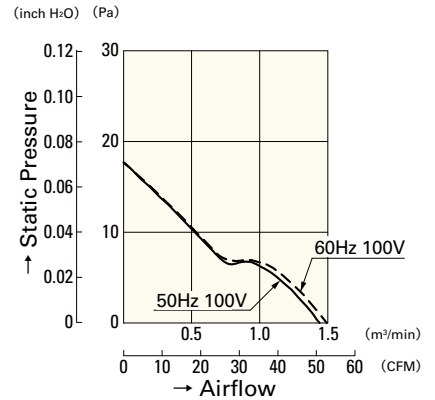
with Sensor



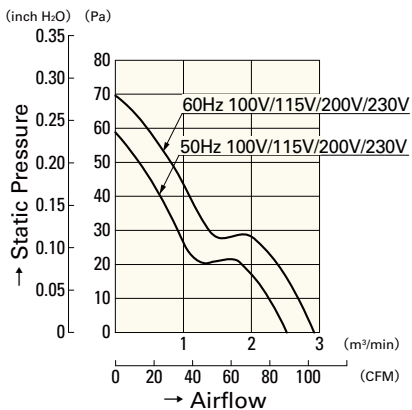
109S405UL **109S424UL**
109S408UL **109S425UL**



109S429UL



109S406UL



109S475UL **109S474UL**
109S478UL **109S472UL**

160 mm sq.

San Ace160



Only standard fans (without sensors) have acquired CSA certification.

General Specifications

- Material..... Frame: Aluminum, Impeller: Plastics (Flammability: UL94V-1)
- Expected Life Refer to specifications (L10:Survival rate: 90% at 60°C , rated voltage,and continuously run in a free air state)
- Dielectric Strength 50/60Hz 1,500VAC 1minute (between input terminal and frame)
- Dielectric Strength (With Sensor) ... Between AC input and DC input(Sensor output) : 50/60Hz 1,000VAC 1minute
Between AC input and G : 50/60Hz 1,500VAC 1minute,
Between G and DC input(Sensor output) : 50/60Hz 1,000VAC 1minute
- Sensor-Purpose Lead Wire ... ⊕ brown ⊖ black (Sensor) yellow
- Storage Temperature -30°C to +70°C (Non-condensing)
- Operating Voltage Range ... Voltage of each model ±10%

160×160×51mm (Mass : 1,100g)

Specifications Standard

Model No.	Rated Voltage [V]	Frequency [Hz]	Input [W]	Current [A]	Locked Rotor Current [A]	Rated Speed [min ⁻¹]	Max. Airflow [m ³ /min] [CFM]	Max. Static Pressure [Pa] [inchH ₂ O]	SPL [dB(A)]	Operating Temperature Range [°C]	Expected Life [h]
109-601	100	50/60	37.5/33	0.43/0.35	0.72/0.70	2,850/3,350	7.2/8.5 254.4/300.4	156.8/166.6 0.630/0.669	56/60	-30 to +60	25,000/60°C
109-604	115			0.39/0.31	0.62/0.61						
109-602	200			0.23/0.18	0.36/0.35						
109-603	230			0.21/0.16	0.32/0.31						

with Sensor

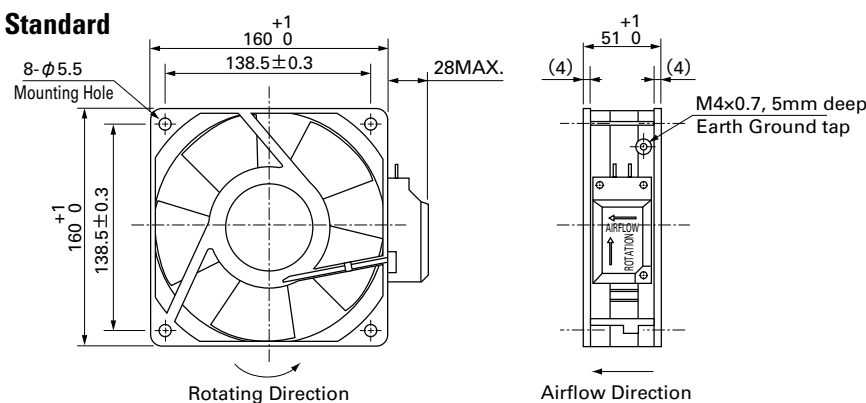
Model No.	Rated Voltage [V]	Frequency [Hz]	Input [W]	Current [A]	Locked Rotor Current [A]	Rated Speed [min ⁻¹]	Max. Airflow [m ³ /min] [CFM]	Max. Static Pressure [Pa] [inchH ₂ O]	SPL [dB(A)]	Operating Temperature Range [°C]	Expected Life [h]
109-641	100	50/60	37.5/33	0.43/0.35	0.72/0.70	2,850/3,350	7.2/8.5 254.4/300.4	156.8/166.6 0.630/0.669	56/60	-10 to +60	25,000/60°C
109-644	115			0.39/0.31	0.62/0.61						
109-642	200			0.23/0.18	0.36/0.35						
109-643	230			0.21/0.16	0.32/0.31						

Two types of power supplies, 5V (ITEM-20) and 12V (ITEM-30), are available in fans with sensor attached.

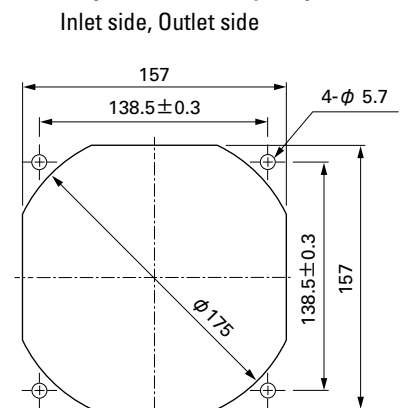
Set Models Fan, finger guard, plug cord, screws, etc. can be purchased in one package. For details, please refer to pp. 453 to 456.

Dimensions (unit: mm)

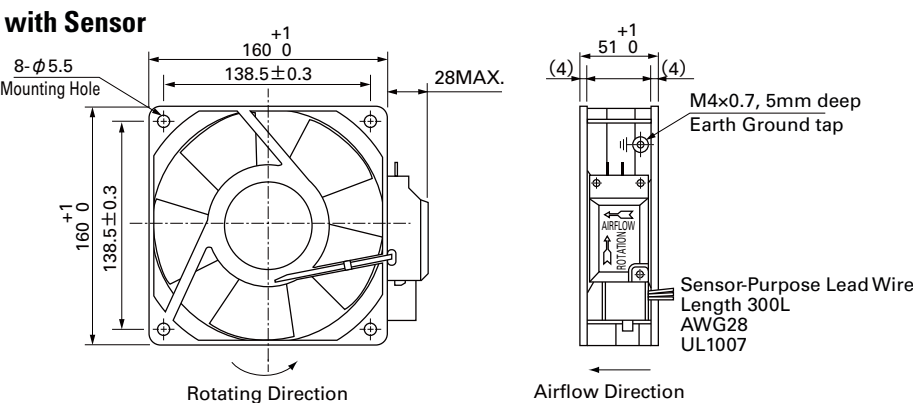
Standard



Reference Dimensions of Mounting Holes and Vent Opening (unit: mm)

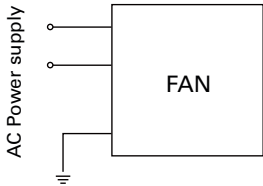


with Sensor

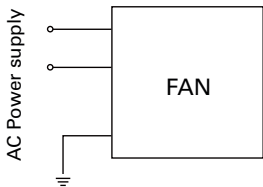


Wiring Diagram

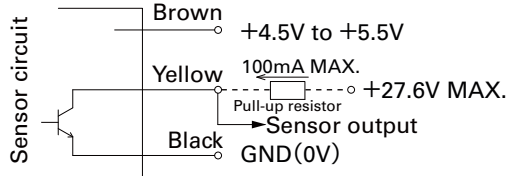
Standard



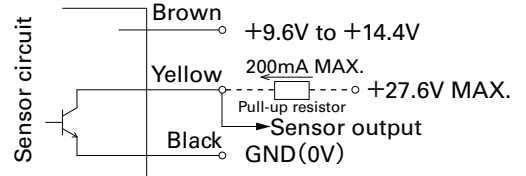
with Sensor (For fan power supply)



5V (ITEM-20)



12V (ITEM-30)



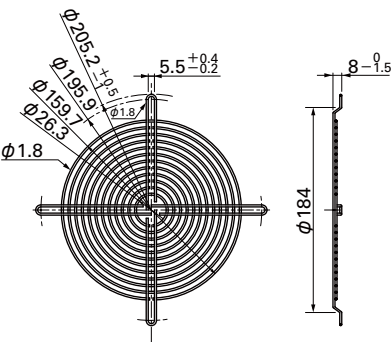
GND (Black) should be shared in case that power supply for sensor circuit (Brown) and that for sensor pull-up (Yellow) are separated.

Options (unit: mm)

Finger Guards

Model : 109-619E Surface treatment : Nickel-chrome plating (silver)
 : 109-619H : Cation electropainting (black)

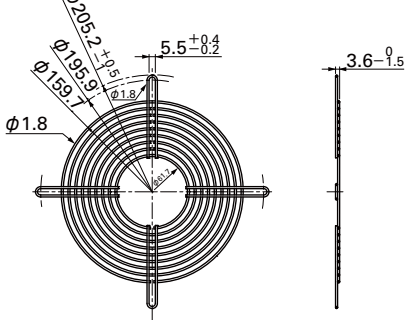
Inlet side, Outlet side



Mass : 85g

Model : 109-620 Surface treatment : Nickel-chrome plating (silver)

Outlet side

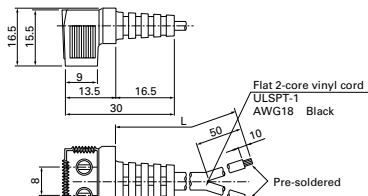


Mass : 74g

Plug Cord

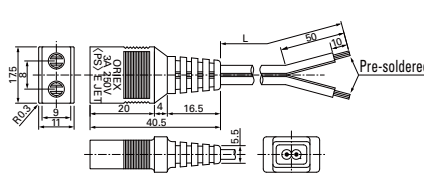
(UL/CSA CERTIFIED)
 UL FILE No.E50197 CSA FILE No.LR67048
 Model : 489-084-L10/489-084-L21

Flat 2-core vinyl cord
 ULSP7-1
 AWG18 Black



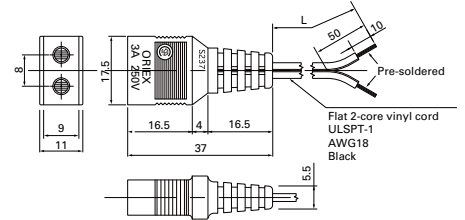
Model	Power cord length (L) [mm]	Mass [g]
489-084-L10	1,000	37
489-084-L21	2,100	70
489-086-L10	1,000	37
489-086-L21	2,100	70

(Products compliant with Electrical Appliance and Material Safety Law)
 Model : 489-1618-L10/489-1618-L21/489-1618-L28

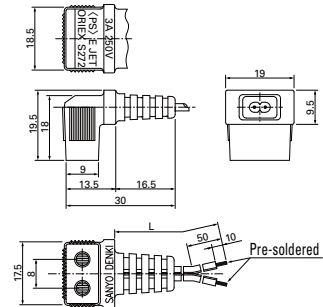


Model	Power cord length (L) [mm]	Mass [g]
489-1618-L10	1,000	34
489-1618-L21	2,100	63
489-1618-L28	2,800	83
489-1619-L10	1,000	34
489-1619-L21	2,100	64

(UL/CSA CERTIFIED)
 UL FILE No.E50197 CSA FILE No.LR67048
 Model : 489-086-L10/489-086-L21

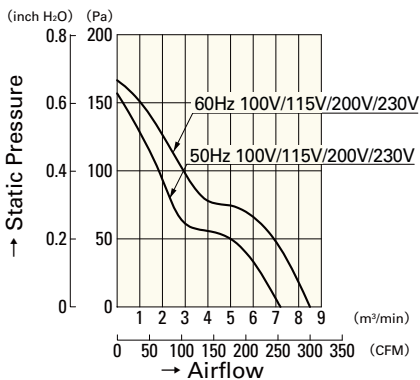


(Products compliant with Electrical Appliance and Material Safety Law)
 Model : 489-1619-L10/489-1619-L21

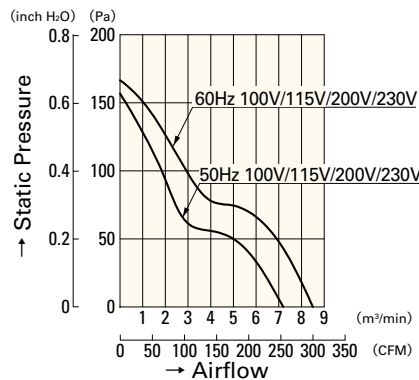


Airflow - Static Pressure Characteristics

Standard



with Sensor



109-601 109-604

109-602 109-603

109-641 109-644

109-642 109-643

AC

AC Fan 160mm

φ172mm

San Ace 172



General Specifications

- Material Frame: Aluminum,
Impeller: Plastics (Flammability: UL94V-1)
- Expected Life Refer to specifications (L10:Survival rate: 90% at 60°C ,
rated voltage,and continuously run in a free air state)
- Dielectric Strength 50/60Hz 1,500VAC 1minute (between input terminal and frame)
- Storage Temperature -30°C to +70°C (Non-condensing)
- Operating Voltage Range ... Voltage of each model ±10%

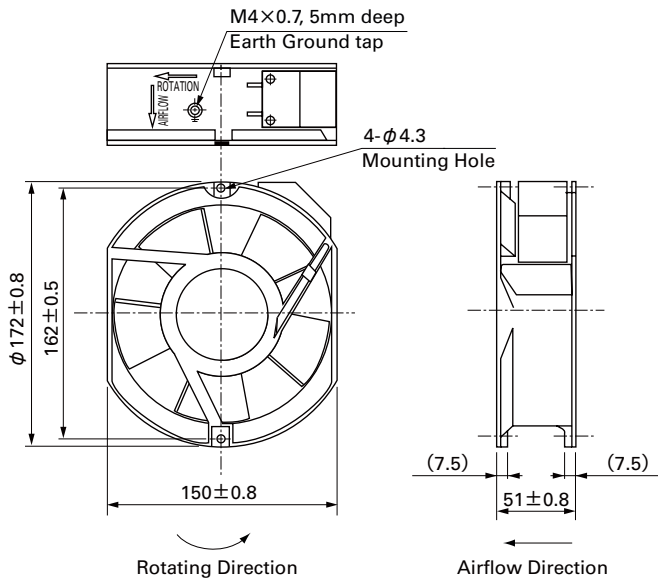
φ172mm × 150mm × 51mm [Mass : 1,000g] **Sidecut type**

Specifications

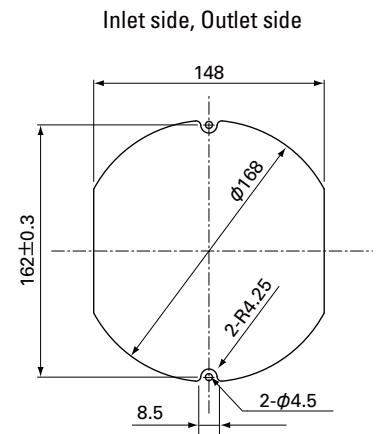
Model No.	Rated Voltage [V]	Frequency [Hz]	Input [W]	Current [A]	Locked Rotor Current [A]	Rated Speed [min ⁻¹]	Max. Airflow [m ³ /min] [CFM]	Max. Static Pressure [Pa] [inchH ₂ O]	SPL [dB(A)]	Operating Temperature [°C]	Expected Life [h]
109S301	100	50/60	27/25	0.33/0.25	0.65/0.64	2,900/3,500	5.3/6.4 187.3/226.1	147/196 0.590/0.787	51/56	-30 to +60	25,000/60°C
109S304	115			0.29/0.22	0.55/0.54						
109S302	200			0.16/0.13	0.33/0.32						
109S303	230			0.14/0.11	0.28/0.27						

Set Models Fan, finger guard, plug cord, screws, etc. can be purchased in one package. For details, please refer to pp. 453 to 456.

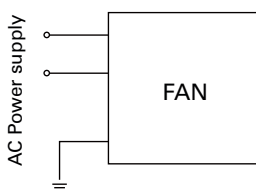
Dimensions (unit: mm)



Reference Dimensions of Mounting Holes and Vent Opening (unit: mm)



Wiring Diagram

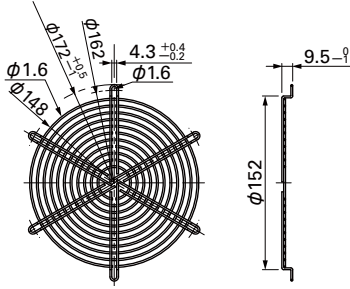


Options (unit: mm)

Finger Guards

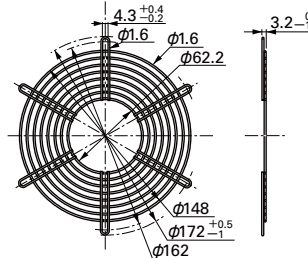
Model : 109-319E Surface treatment : Nickel-chrome plating (silver) Color
 : 109-319H : Cation electropainting (black)

Inlet side, Outlet side



Mass : 69g

Outlet side

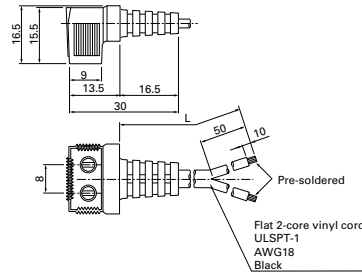
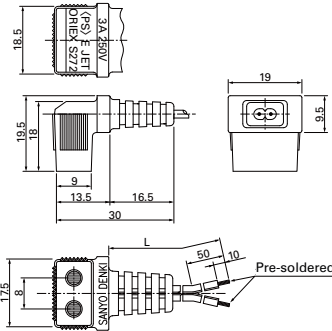


Mass : 53g

Plug Cord

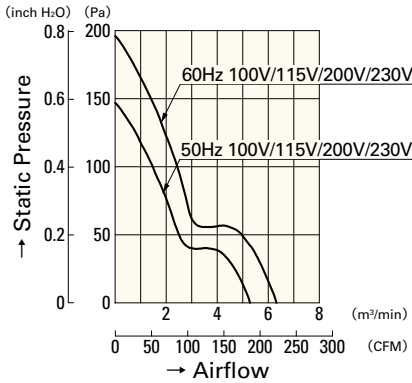
(Products compliant with Electrical Appliance and Material Safety Law)
 Model : 489-1619-L10/489-1619-L21

(UL/CSA CERTIFIED)
 UL FILE No.E50197 CSA FILE No.LR67048
 Model : 489-084-L10/489-084-L21



Model	Power cord length (L) [mm]	Mass [g]
489-1619-L10	1,000	34
489-1619-L21	2,100	64
489-084-L10	1,000	37
489-084-L21	2,100	70

Airflow - Static Pressure Characteristics



109S301	109S304
109S302	109S303

φ172mm

San Ace 172



Only standard fans (without sensors) have acquired CSA certification.

General Specifications

- Material Frame: Aluminum,
Impeller: Plastics (Flammability: UL94V-1)
- Expected Life Refer to specifications (L10:Survival rate: 90% at 60°C ,
rated voltage, and continuously run in a free air state)
- Dielectric Strength 50/60Hz 1,500VAC 1minute (between input terminal and frame)
- Dielectric Strength (With Sensor) ... Between AC input and DC input(Sensor output)
: 50/60Hz 1,000VAC 1minute
Between AC input and G
: 50/60Hz 1,500VAC 1minute,
Between G and DC input(Sensor output)
: 50/60Hz 1,000VAC 1minute
- Sensor-Purpose Lead Wire ... ⊕ brown ⊖ black (Sensor) yellow
- Storage Temperature -30°C to +70°C (Non-condensing)
- Operating Voltage Range ... Voltage of each model ±10%

φ172mm×51mm (Mass : 1,000g) **Round type**

Specifications Standard

Model No.	Rated Voltage [V]	Frequency [Hz]	Input [W]	Current [A]	Locked Rotor Current [A]	Rated Speed [min ⁻¹]	Max. Airflow [m ³ /min] [CFM]	Max. Static Pressure [Pa] [inchH ₂ O]	SPL [dB(A)]	Operating Temperature [°C]	Expected Life [h]
109-311	100	50/60	27/25	0.33/0.25	0.65/0.64	2,900/3,500	5.3/6.4 187.3/226.1	147/196 0.590/0.787	47/51	-30 to +60	25,000/60°C
109-314	115			0.29/0.22	0.55/0.54						
109-312	200			0.16/0.13	0.33/0.32						
109-313	230			0.14/0.11	0.28/0.27						

with Sensor

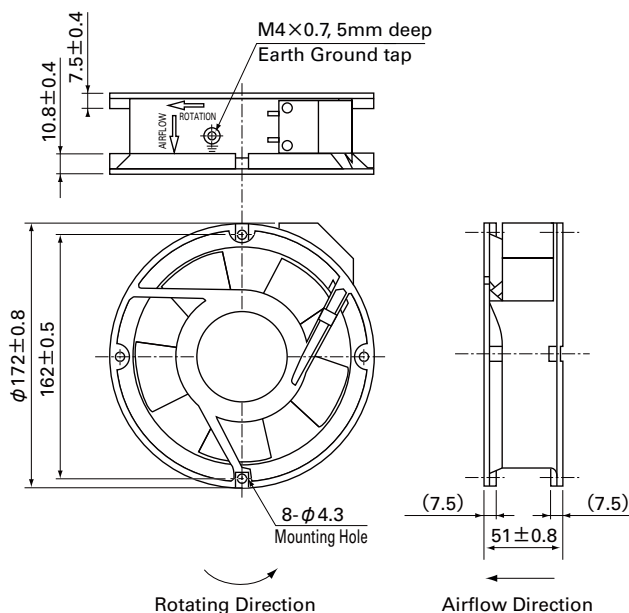
Model No.	Rated Voltage [V]	Frequency [Hz]	Input [W]	Current [A]	Locked Rotor Current [A]	Rated Speed [min ⁻¹]	Max. Airflow [m ³ /min] [CFM]	Max. Static Pressure [Pa] [inchH ₂ O]	SPL [dB(A)]	Operating Temperature [°C]	Expected Life [h]
109-371	100	50/60	27/25	0.33/0.25	0.65/0.64	2,900/3,500	5.3/6.4 187.3/226.1	147/196 0.590/0.787	47/51	-10 to +60	25,000/60°C
109-374	115			0.29/0.22	0.55/0.54						
109-372	200			0.16/0.13	0.33/0.32						
109-373	230			0.14/0.11	0.28/0.27						

Two types of power supplies, 5V (ITEM-20) and 12V (ITEM-30), are available in fans with sensor attached.

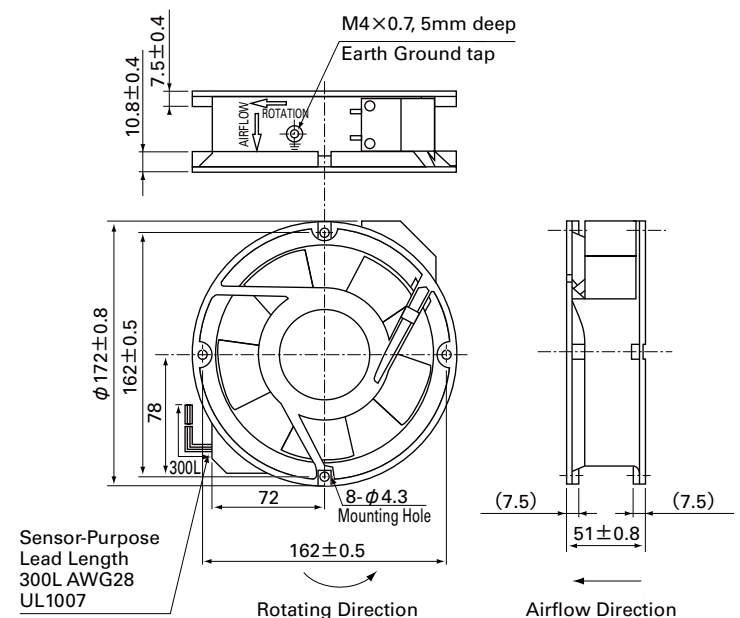
Set Models Fan, finger guard, plug cord, screws, etc. can be purchased in one package.
For details, please refer to pp. 453 to 456.

Dimensions (unit: mm)

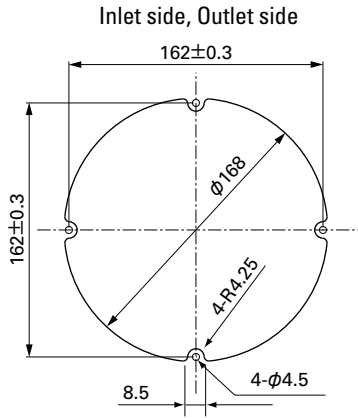
Standard



with Sensor

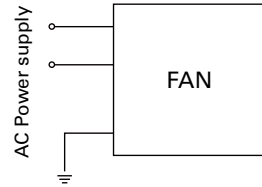


Reference Dimensions of Mounting Holes and Vent Opening (unit: mm)



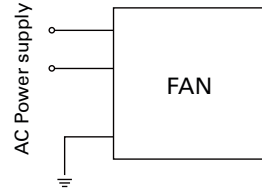
Wiring Diagram

Standard

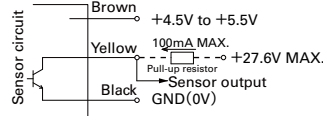


with Sensor

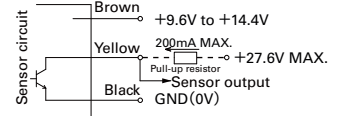
(For fan power supply)



5V (ITEM-20)



12V (ITEM-30)



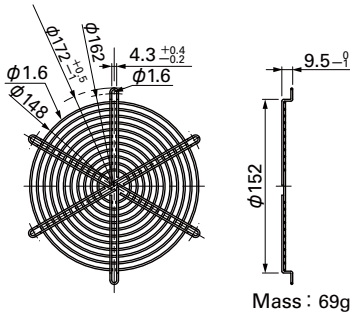
GND (Black) should be shared in case that power supply for sensor circuit (Brown) and that for sensor pull-up (Yellow) are separated.

Options (unit: mm)

Finger Guards

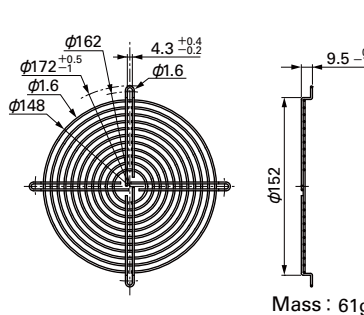
Model : 109-319E Surface treatment : Nickel-chrome plating (silver) Color : Nickel-chrome plating (silver)
 : 109-319H : Cation electropainting (black)

Inlet side, Outlet side



Mass : 69g

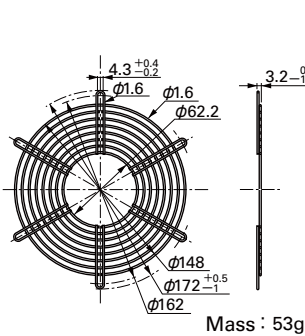
Inlet side, Outlet side



Mass : 61g

Model : 109-320 Surface treatment : Nickel-chrome plating (silver) Color : Nickel-chrome plating (silver)

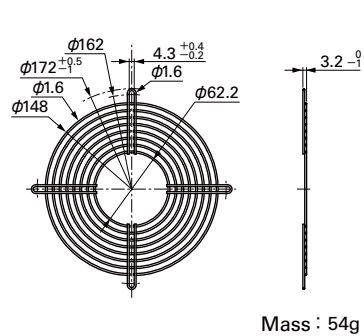
Outlet side



Mass : 53g

Model : 109-1066 Surface treatment : Nickel-chrome plating (silver) Color : Nickel-chrome plating (silver)

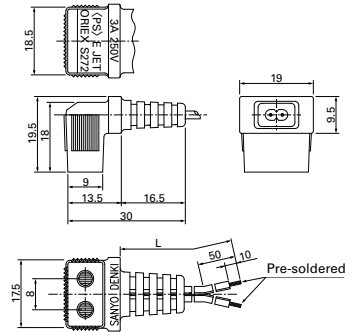
Outlet side



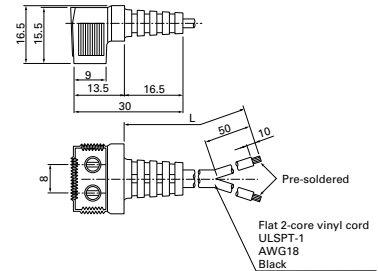
Mass : 54g

Plug Cord

(Products compliant with Electrical Appliance and Material Safety Law)
 Model : 489-1619-L10/489-1619-L21



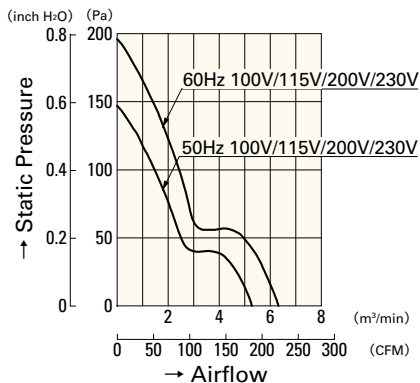
(UL/CSA CERTIFIED)
 UL FILE No. E50197 CSA FILE No. LR67048
 Model : 489-084-L10/489-084-L21



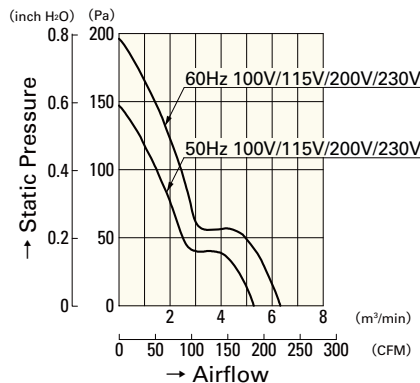
Model	Power cord length (L) [mm]	Mass [g]
489-1619-L10	1,000	34
489-1619-L21	2,100	64
489-084-L10	1,000	37
489-084-L21	2,100	70

Airflow - Static Pressure Characteristics

Standard



with Sensor



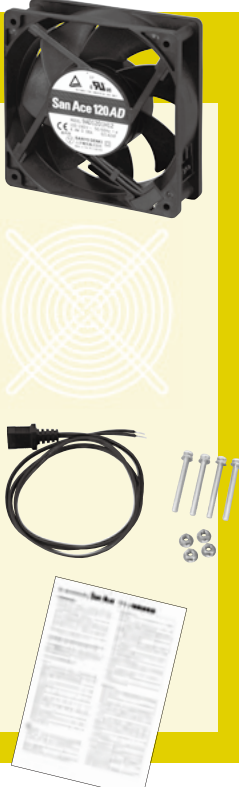
109-311 109-314
 109-312 109-313

109-371 109-374
 109-372 109-373


- Ideal fan sizes selected for various control panels, automated machines, and power supply units.
- You can purchase everything necessary in one order without the need for searching for the fan peripherals. It makes fan replacements easy.
- Delivered in one package, it simplifies storage and maintenance.

Set configuration items

Fan
+
Finger guards
+
Plug cord
+
Screws
(with flat washer and spring washer)
+
Hex nuts
+
Instruction manual



One order includes everything needed for operation.



*Package image

Plug cords are compliant with Electrical Appliance and Material Safety Law, but not UL/CSA certified.

■ Cooling Fan Set Models Line Up

Series	Fan size	Order no. (set model)	Set items						page
			Fan	Voltage	Low-speed sensor	Plug cord	Finger guards	Mounting screws	
AC fan	60 × 60 × 28mm	ST1-109-180	109-180	100V		Plug cord is not included because of the exposed-lead structure.	109-139E	M4 × 40mm (4 screws)	p. 423
		ST1-109-183	109-183	115V	109-139E				
	60 × 60 × 38mm	ST1-109-130	109-130	100V			109-139E	M4 × 55mm (4 screws)	p. 425
		ST1-109-133	109-133	115V	109-139E				
	80 × 80 × 20mm	ST1-109-210	109-210	100V		109-049E	M4 × 40mm (4 screws)	p. 427	
		ST1-109-213	109-213	115V	109-049E				
	80 × 80 × 25mm	ST1-109S050	109S050	100V		489-016-L10	M4 × 40mm (4 screws) *	p. 429	
		ST1-109S053	109S053	115V		489-016-L10			
		ST1-109S051	109S051	200V		489-016-L10			
		ST1-109S054	109S054	230V		489-016-L10			
		ST1-109S030	109S030	100V		489-016-L10			
		ST1-109S033	109S033	115V		489-016-L10			
		ST1-109S031	109S031	200V		489-016-L10			
	80 × 80 × 38mm	ST1-109-150	109-150	100V		489-016-L10	M4 × 55mm (4 screws) *	p. 431	
		ST1-109-153	109-153	115V		489-016-L10			
		ST1-109-151	109-151	200V		489-016-L10			
		ST1-109-154	109-154	230V		489-016-L10			
	80 × 80 × 42mm	ST1-109-040UL	109-040UL	100V		489-008-L10	M4 × 55mm (4 screws)	p. 433	
		ST1-109-043UL	109-043UL	115V		489-008-L10			
		ST1-109-041UL	109-041UL	200V		489-008-L10			
		ST1-109-044UL	109-044UL	230V		489-008-L10			
		ST1-109-047UL	109-047UL	100V		489-008-L10			
	92 × 92 × 25mm	ST1-109S091	109S091	100V		489-016-L10	M3 × 40mm (4 screws) *	p. 435	
		ST1-109S093	109S093	115V		489-016-L10			
		ST1-109S092	109S092	200V		489-016-L10			
		ST1-109S094	109S094	230V		489-016-L10			
		ST1-109S095	109S095	100V		489-016-L10			
		ST1-109S096	109S096	100V		489-016-L10			
		ST1-109S193	109S193	115V		489-016-L10			
		ST1-109S192	109S192	200V		489-016-L10			
		ST1-109S194	109S194	230V		489-016-L10			
		ST1-109S491-20	109S491-20	100V	○ (5V)	489-016-L10			109-099E
		ST1-109S491-30	109S491-30		○ (12V)	489-016-L10			109-099E
		ST1-109S493-20	109S493-20	115V	○ (5V)	489-016-L10			109-099E
		ST1-109S493-30	109S493-30		○ (12V)	489-016-L10			109-099E
		ST1-109S492-20	109S492-20	200V	○ (5V)	489-016-L10			109-099E
		ST1-109S492-30	109S492-30		○ (12V)	489-016-L10			109-099E
		ST1-109S494-20	109S494-20	230V	○ (5V)	489-016-L10			109-099E
		ST1-109S494-30	109S494-30		○ (12V)	489-016-L10			109-099E
		ST1-109S495-20	109S495-20	100V	○ (5V)	489-016-L10			109-099E
		ST1-109S495-30	109S495-30		○ (12V)	489-016-L10			109-099E
		ST1-109S496-20	109S496-20		○ (5V)	489-016-L10			109-099E
	ST1-109S496-30	109S496-30	○ (12V)		489-016-L10	109-099E			
	ACDC fan (Low Power Consumption, Long Life)	92 × 92 × 38mm	ST1-9AD0901H12	9AD0901H12	100 to 240V		489-1635-L10	M4 × 55mm (4 screws)	p. 413
			ST1-9AD0901M12	9AD0901M12			489-1635-L10		
			ST1-9AD0901H1H	9AD0901H1H		○	489-1635-L10		
			ST1-9AD0901M1H	9AD0901M1H		○	489-1635-L10		
AC fan	120 × 120 × 25mm	ST1-109S085	109S085	100V		489-016-L10	M3 × 40mm (4 screws)	p. 439	
		ST1-109S084	109S084	115V		489-016-L10			
		ST1-109S088	109S088	200V		489-016-L10			
		ST1-109S087	109S087	230V		489-016-L10			
		ST1-109S081	109S081	100V		489-016-L10			
		ST1-109S083	109S083	115V		489-016-L10			
		ST1-109S082	109S082	200V		489-016-L10			
		ST1-109S089	109S089	230V		489-016-L10			
		ST1-109S086	109S086	100V		489-016-L10			109-019E
		ST1-109S485-20	109S485-20		○ (5V)	489-016-L10			109-019E
ST1-109S485-30	109S485-30	○ (12V)	489-016-L10		109-019E				

* Though these are 2-hole or 3-hole frame mount types, 4 screws are included for extra.

Sale Notice of Cooling Fan Set Models

Series	Fan size	Order no. (set model)	Set items						page				
			Fan	Voltage	Low-speed sensor	Plug cord	Finger guards	Mounting screws					
AC fan	120×120×25mm	ST1-109S484-20	109S484-20	115V	○ (5V)	489-016-L10	109-019E	M3×40mm (4 screws)	p. 439				
		ST1-109S484-30	109S484-30		○ (12V)	489-016-L10	109-019E						
		ST1-109S488-20	109S488-20	200V	○ (5V)	489-016-L10	109-019E						
		ST1-109S488-30	109S488-30		○ (12V)	489-016-L10	109-019E						
		ST1-109S487-20	109S487-20	230V	○ (5V)	489-016-L10	109-019E						
		ST1-109S487-30	109S487-30		○ (12V)	489-016-L10	109-019E						
		ST1-109S486-20	109S486-20	100V	○ (5V)	489-016-L10	109-019E						
		ST1-109S486-30	109S486-30		○ (12V)	489-016-L10	109-019E						
ACDC fan (Low Power Consumption, Long Life)	120×120×38mm	ST1-9AD1201H12	9AD1201H12	100 to 240V		489-1635-L10	109-019E	M4×55mm (4 screws)	p. 417				
		ST1-9AD1201H1H	9AD1201H1H		○	489-1635-L10	109-019E						
AC fan	120×120×38mm	ST1-109S075UL	109S075UL	100V		489-037-L10	109-019E	M3×55mm (4 screws)	p. 443				
		ST1-109S074UL	109S074UL	115V		489-037-L10	109-019E						
		ST1-109S078UL	109S078UL	200V		489-037-L10	109-019E						
		ST1-109S072UL	109S072UL	230V		489-037-L10	109-019E						
		ST1-109S005	109S005	100V		489-006-L10	109-019E						
		ST1-109S005UL	109S005UL		489-037-L10	109-019E							
		ST1-109S024	109S024	120V		489-006-L10	109-019E						
		ST1-109S024UL	109S024UL	115V		489-037-L10	109-019E						
		ST1-109S008	109S008	200V		489-006-L10	109-019E						
		ST1-109S008UL	109S008UL		489-037-L10	109-019E							
		ST1-109S025	109S025	230V		489-006-L10	109-019E						
		ST1-109S025UL	109S025UL		489-037-L10	109-019E							
		ST1-109S029UL	109S029UL	100V		489-037-L10	109-019E						
		ST1-109S013	109S013		489-006-L10	109-019E							
		ST1-109S013UL	109S013UL		489-037-L10	109-019E							
		ST1-109S006	109S006		489-006-L10	109-019E							
		ST1-109S006UL	109S006UL	100V 115V		489-037-L10	109-019E						
		ST1-109S010	109S010	200V		489-006-L10	109-019E						
		ST1-109S010UL	109S010UL	200V 240V		489-037-L10	109-019E						
		ST1-109S405UL-20	109S405UL-20	100V	○ (5V)	489-037-L10	109-019E						
		ST1-109S405UL-30	109S405UL-30		○ (12V)	489-037-L10	109-019E						
		ST1-109S424UL-20	109S424UL-20	115V	○ (5V)	489-037-L10	109-019E						
		ST1-109S424UL-30	109S424UL-30		○ (12V)	489-037-L10	109-019E						
		ST1-109S408UL-20	109S408UL-20	200V	○ (5V)	489-037-L10	109-019E						
		ST1-109S408UL-30	109S408UL-30		○ (12V)	489-037-L10	109-019E						
		ST1-109S425UL-20	109S425UL-20	230V	○ (5V)	489-037-L10	109-019E						
		ST1-109S425UL-30	109S425UL-30		○ (12V)	489-037-L10	109-019E						
		ST1-109S429UL-20	109S429UL-20	100V	○ (5V)	489-037-L10	109-019E						
		ST1-109S429UL-30	109S429UL-30		○ (12V)	489-037-L10	109-019E						
		ST1-109S406UL-20	109S406UL-20	100V	○ (5V)	489-037-L10	109-019E						
		ST1-109S406UL-30	109S406UL-30		○ (12V)	489-037-L10	109-019E						
		ST1-109S475UL-20	109S475UL-20	100V	○ (5V)	489-037-L10	109-019E						
		ST1-109S475UL-30	109S475UL-30		○ (12V)	489-037-L10	109-019E						
		ST1-109S474UL-20	109S474UL-20	115V	○ (5V)	489-037-L10	109-019E						
		ST1-109S474UL-30	109S474UL-30		○ (12V)	489-037-L10	109-019E						
		ST1-109S478UL-20	109S478UL-20	200V	○ (5V)	489-037-L10	109-019E						
		ST1-109S478UL-30	109S478UL-30		○ (12V)	489-037-L10	109-019E						
		ST1-109S472UL-20	109S472UL-20	230V	○ (5V)	489-037-L10	109-019E						
		ST1-109S472UL-30	109S472UL-30		○ (12V)	489-037-L10	109-019E						
			160×160×51mm	ST1-109-601	109-601	100V				489-1618-L10	109-619E	M5×20mm (4 screws)	p. 447
				ST1-109-604	109-604	115V				489-1618-L10	109-619E		
				ST1-109-602	109-602	200V				489-1618-L10	109-619E		
				ST1-109-603	109-603	230V				489-1618-L10	109-619E		
ST1-109-641-20	109-641-20			100V	○ (5V)	489-1618-L10	109-619E						
ST1-109-641-30	109-641-30				○ (12V)	489-1618-L10	109-619E						
ST1-109-644-20	109-644-20			115V	○ (5V)	489-1618-L10	109-619E						
ST1-109-644-30	109-644-30				○ (12V)	489-1618-L10	109-619E						
ST1-109-642-20	109-642-20			200V	○ (5V)	489-1618-L10	109-619E						
ST1-109-642-30	109-642-30				○ (12V)	489-1618-L10	109-619E						

Series	Fan size	Order no. (set model)	Set items						page	
			Fan	Voltage	Low-speed sensor	Plug cord	Finger guards	Mounting screws		
AC fan	160×160×51mm	ST1-109-643-20	109-643-20	230V	○ (5V)	489-1618-L10	109-619E	M5×20mm (4 screws)	p. 447	
		ST1-109-643-30	109-643-30		○ (12V)	489-1618-L10	109-619E			
	φ 172×150×51mm	ST1-109S301	109S301	100V			489-1619-L10	109-319E	M4×25mm (4 screws) ※	p. 449
		ST1-109S304	109S304	115V			489-1619-L10	109-319E		
		ST1-109S302	109S302	200V			489-1619-L10	109-319E		
		ST1-109S303	109S303	230V			489-1619-L10	109-319E		
	φ 172×51mm	ST1-109-311	109-311	100V			489-1619-L10	109-319E	M4×25mm (4 screws)	p. 451
		ST1-109-314	109-314	115V			489-1619-L10	109-319E		
		ST1-109-312	109-312	200V			489-1619-L10	109-319E		
		ST1-109-313	109-313	230V			489-1619-L10	109-319E		
		ST1-109-371-20	109-371-20	100V		○ (5V)	489-1619-L10	109-319E		
		ST1-109-371-30	109-371-30			○ (12V)	489-1619-L10	109-319E		
		ST1-109-374-20	109-374-20	115V		○ (5V)	489-1619-L10	109-319E		
		ST1-109-374-30	109-374-30			○ (12V)	489-1619-L10	109-319E		
		ST1-109-372-20	109-372-20	200V		○ (5V)	489-1619-L10	109-319E		
		ST1-109-372-30	109-372-30			○ (12V)	489-1619-L10	109-319E		
		ST1-109-373-20	109-373-20	230V		○ (5V)	489-1619-L10	109-319E		
		ST1-109-373-30	109-373-30			○ (12V)	489-1619-L10	109-319E		

※ Though these are 2-hole or 3-hole frame mount types, 4 screws are included for extra.

PWM Controller

Features

Reduces system power consumption and fan noise

For PWM fan speed control, a PWM control circuit needs to be newly designed and configured.

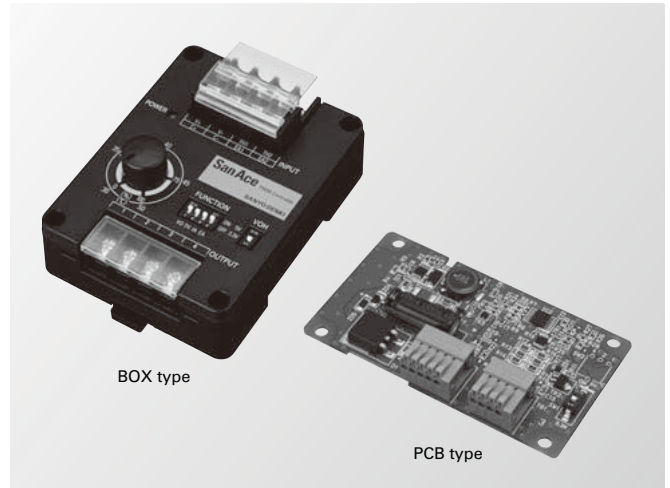
By using this product, however, PWM control function fans can be fully utilized without the need for preparing new circuits, contributing to reducing the system power consumption and the fan noise.

Can be common-powered by the fan power supply

The controller can be powered by the fan power supply of rated voltage 12, 24, and 48 VDC, and no separate supply is required.

Maximum of four fans connectable

Up to four fans with PWM control function can be connected and controlled.



Specifications

		BOX type	PCB type		
Model no.		9PC8666X-S001	9PC8045D-V001	9PC8045D-R001	9PC8045D-T001
Size [mm]		86 (H) × 66 (W) × 38 (D)	80 (H) × 45 (W) × 17 (D)		
Rated voltage [V]		12 / 24 / 48			
Power consumption [W]		0.2*1			
Operating temperature [°C]		-20 to +70			
Input terminal	Input voltage range [V] (V+, V-)	7 to 60			
	Control voltage range [V]	0 to 5.5			
Output terminal	PWM signal output	V _{OH} (high level voltage): 3.3 or 5 VDC selectable			
	PWM frequency [kHz]	25			
	Output current	20 mA max. (total sum of 4 terminals)			
	Output breakdown voltage [V]	6.5			
No. of connectable fans		Up to 4 fans			
Control functions*2		Voltage control, Internal adjustment (variable resistor) control, External adjustment (variable resistor) control*3, Thermistor control*3	Voltage control	Variable resistor control*3	Thermistor control*3
Mounting method		DIN rail mounting or screw mounting	Screw mounting		
Mass [g]		110	27		
Material		Case: Plastics	PCB: FR-4		

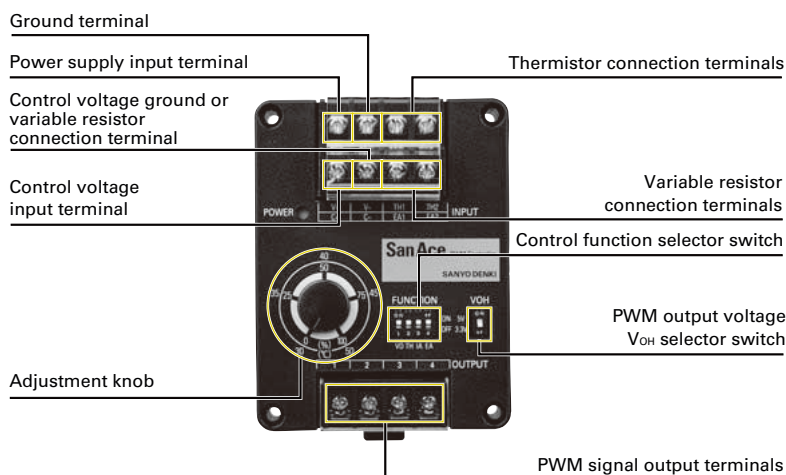
*1: When output terminals are turned on. *2: Control functions are mutually exclusive for BOX type.

*3: Variable resistor and thermistor are not supplied with the controller and need to be prepared separately.

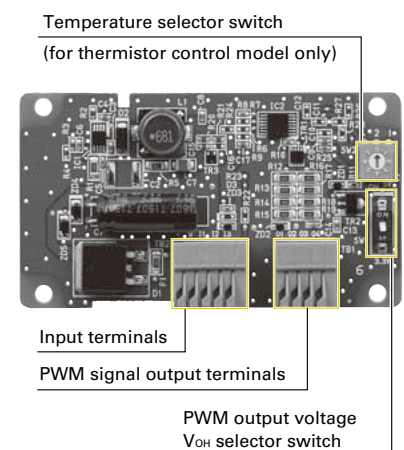
Be noted that if applied input voltage or frequency is out of range of the connected fan, how the fan speed responds to the PWM duty cycle may be altered.

Front View (component names)

• BOX type



• PCB type



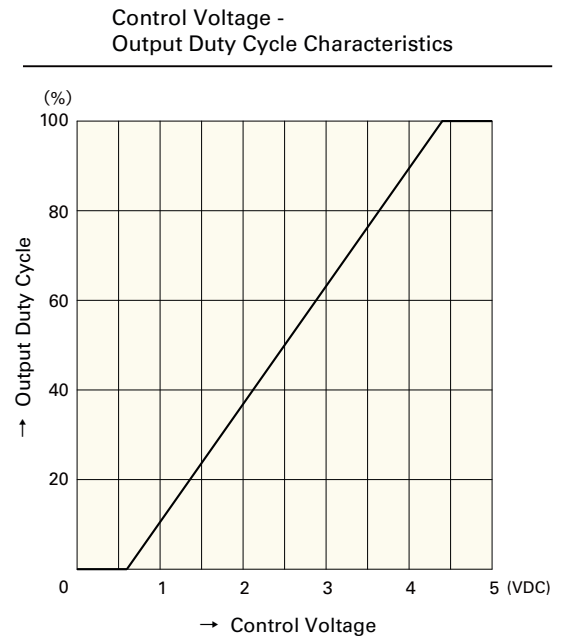
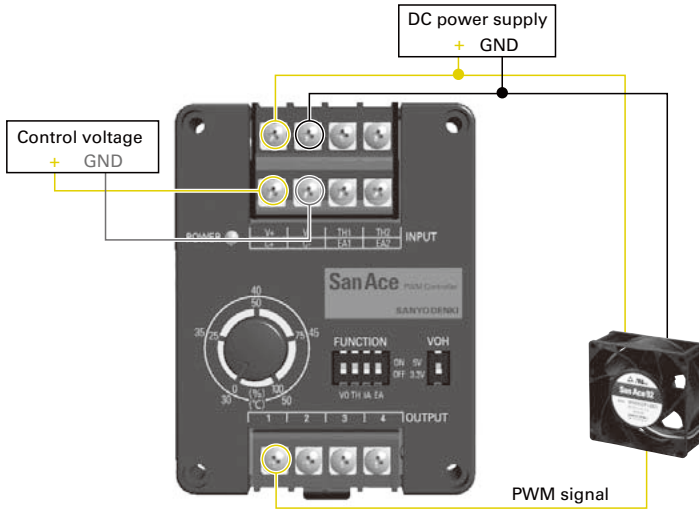
■ Connection Examples and PWM Signal Output Characteristics

Controller can be common-powered by the power supply for 12, 24, and 48 VDC rated voltage fans.
It can also be powered by a separate supply as long as both supplies share the same ground.

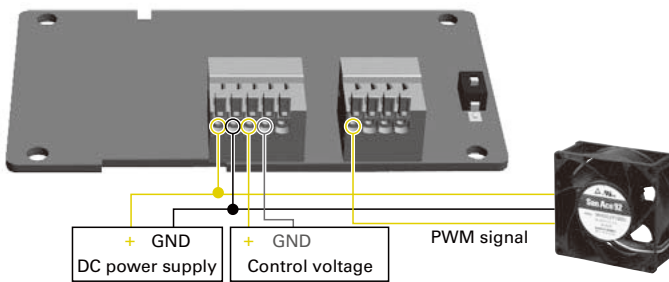
Voltage control

Output duty cycle controlled with input voltage of 0 to 5 VDC. *Ensure that the input voltage does not exceed 5.5 VDC.

- BOX type



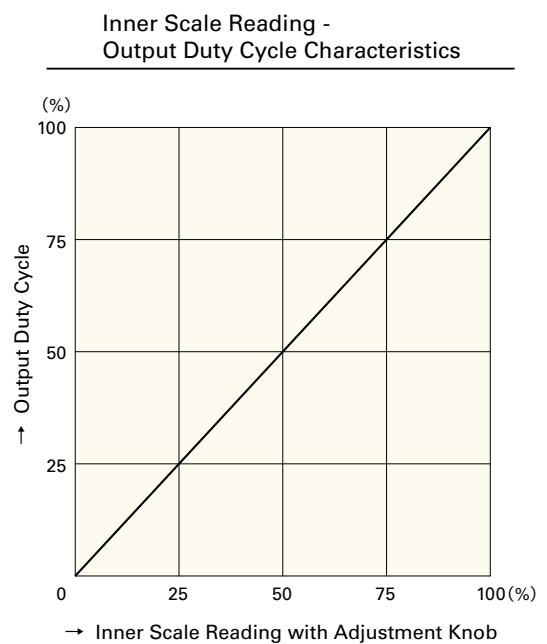
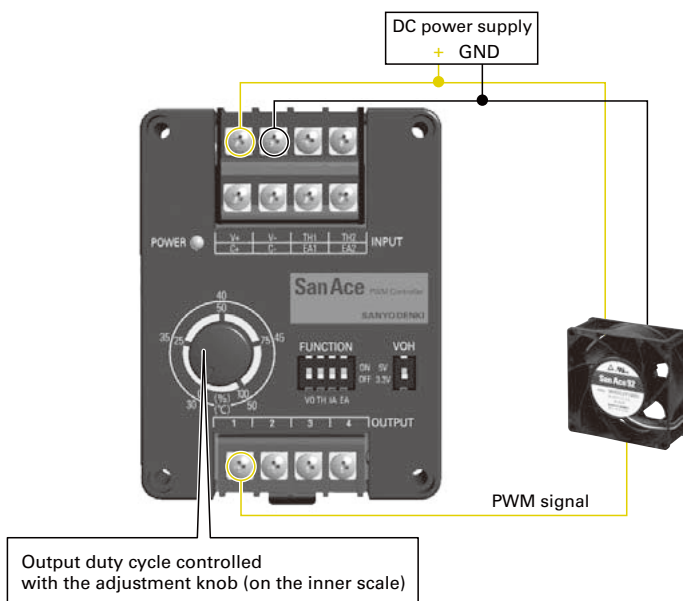
- PCB type (Model no.: 9PC8045D-V001)



Internal adjustment (variable resistor) control

Output duty cycle controlled with the adjustment knob.

- BOX type

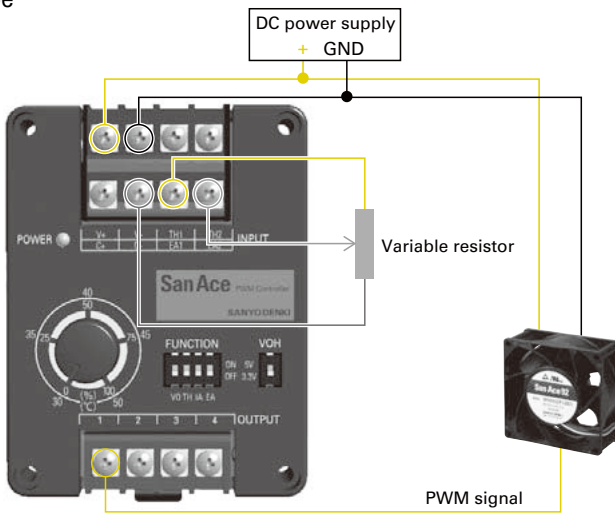


PWM Controller

External adjustment (variable resistor) control

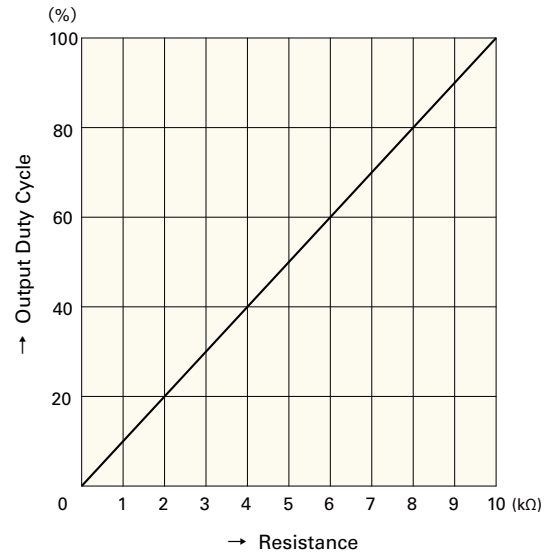
Output duty cycle controlled with variable resistor connected to terminals.

- BOX type

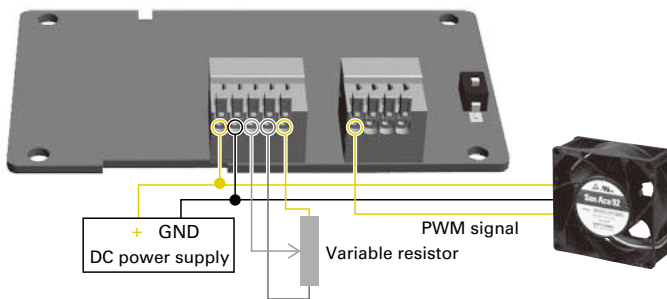


Resistance - Output Duty Cycle Characteristics

Recommended total resistance: 10 kΩ
Resistance increment characteristics: B (linear curve fitting)



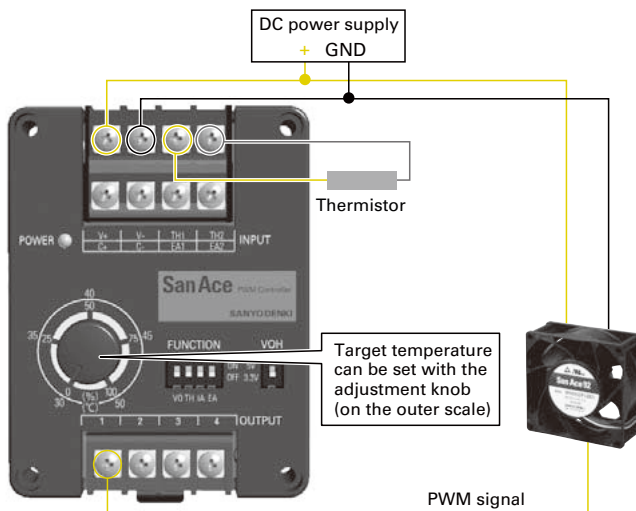
- PCB type (Model no.: 9PC8045D-R001)



Thermistor control

Automation control of output duty cycle in response to the temperature detected with an external thermistor.

- BOX type



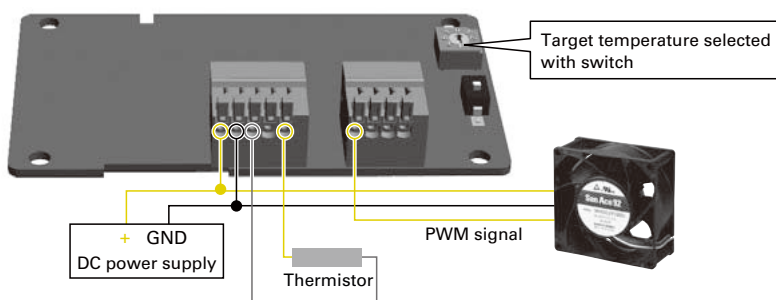
Controlling Conditions

T_{ST} : Temperature set with the adjustment knob (30 to 50 °C)
 T_{TH} : Temperature detected with thermistor

Recommended thermistor conditions
Type: NTC
 R_{25} (Resistance at 25 °C): 10 kΩ
B value: $B_{25/85} = 3435$ K

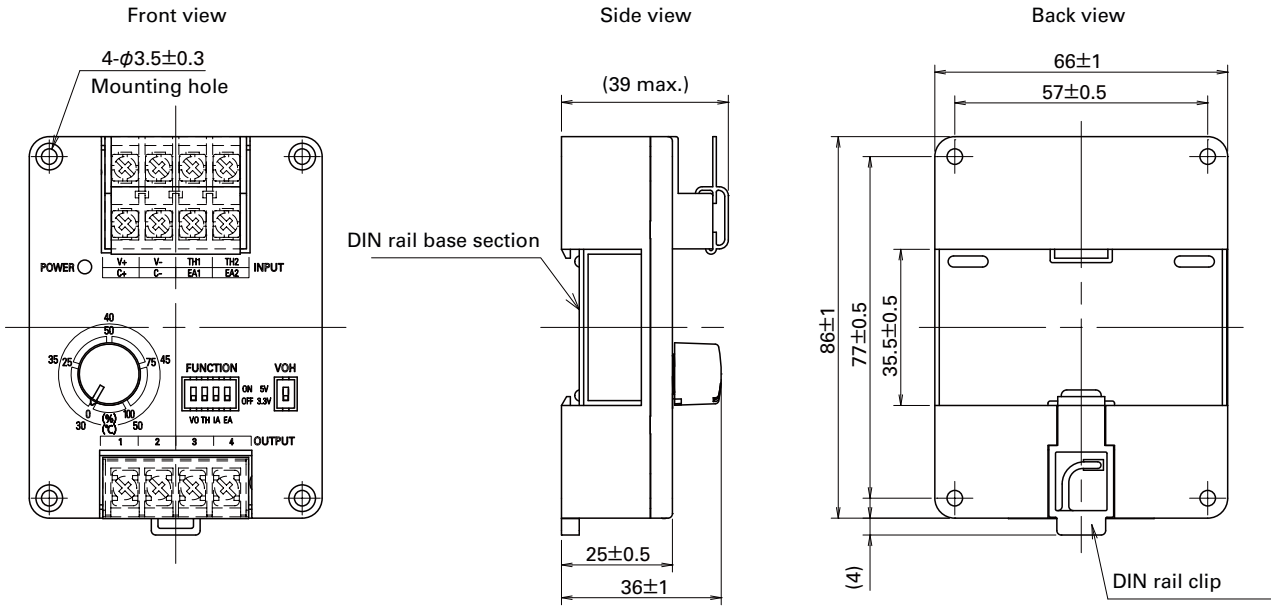
Temperature conditions	Duty cycle	Fan rotational speed (For reference)
$T_{ST} < T_{TH}$	Increases	Increases
$T_{ST} > T_{TH}$	Decreases	Decreases
$T_{ST} \approx T_{TH}$	Maintained	Maintained

- PCB type (Model no.: 9PC8045D-T001)

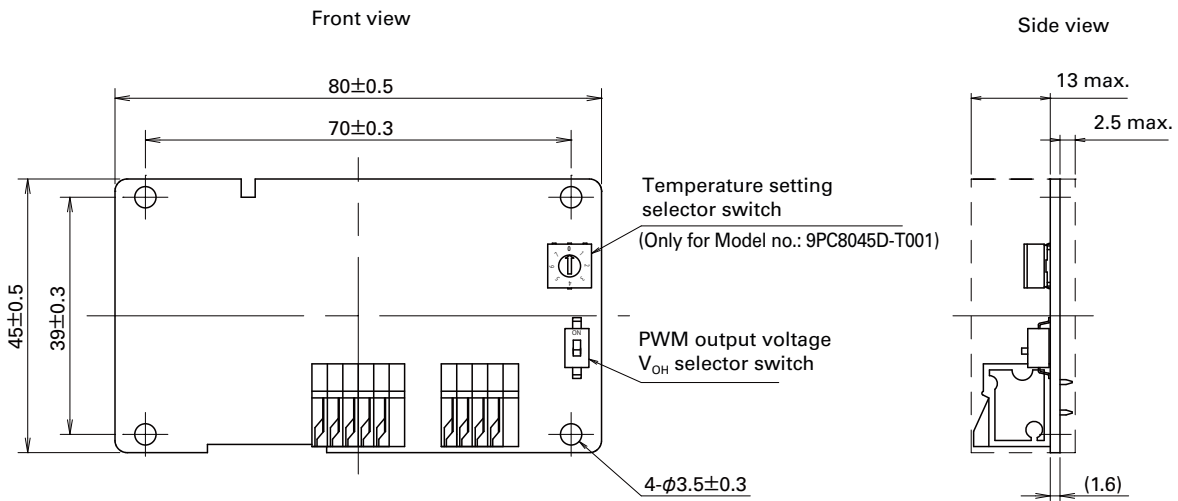


■ Dimensions (unit: mm)

● BOX type



● PCB type





Safety Precautions

BOX type

- To ensure that the product is used safely, be sure to read and fully understand the Safety Precautions and only use the product as directed.
- Read the Safety Precautions carefully before installing, connecting, operating, maintaining, or inspecting the product.
- The product has been designed and manufactured for use in general industrial machinery, and may not be used as a standalone product.
- The product of our company (hereafter referred to as "the product") falls into the category of the products specified in the Attached List 1, Item 16 (Class 85, Item 43) of the Export Trade Control Ordinance. To export the product as an individual part or to export a device into which the product is assembled, the "Information Requirements" and "Objective Requirements" that the Ministry of Economy, Trade and Industry established based on the "Catchall Controls" must be studied for applicability. Based on information on applicability and specified requirements, appropriate export procedures must be taken.
- When disposing of the product, treat it as industrial waste. For instructions on proper disposal methods, please contact local government authorities.
- When using the product in an environment with vibration, such as in a car or a ship, use it at your own discretion only after deploying sufficient safety measures and making prior evaluations. Fully understand the Safety Precautions described in this instruction manual before using the product.

In order to prevent any possible bodily injury or damage to property or equipment, the following precautions for ensuring safety are displayed according to the following two ranks of importance:

 Danger	Handling or using the product improperly and in disregard of the instructions with this mark may result in serious bodily injury or death.
 Caution	Handling or using the product improperly and in disregard of the instructions with this mark may result in bodily injury or physical damage.

*Note: Items marked 'Caution' may also result in serious bodily injury or death in some circumstances. Always follow the instructions for items marked 'Danger.'

Danger

- If the product is used in medical appliances or other types of equipment that affect people's lives, sufficient safety-related evaluations and preparations must be made in advance, and the product or the type of equipment into which the product is assembled must be used under the full responsibility of the user.
- If the product is used in types of equipment that have a strong social and public impact, sufficient prior evaluations and safety-related evaluations and preparations must be made, and the product or the type of equipment into which the product is assembled must be used under the full responsibility of the user.
- The product is not designed to be used in a car or a ship. When using the product in an environment with vibration, such as in a car or a ship, use it at your own discretion only after deploying sufficient safety measures and making prior evaluations.
- Connect all wires properly and securely. Failure to do so may result in fire, burns, or electrical shock.
- Do not use the product in a location where there is flammable gas. Otherwise, it may result in fire, burns, or bodily injury.
- Do not operate the product when electronic components are exposed. Otherwise, it may result in electrical shock.
- Turn off the power and stop using the product immediately if you notice any sparks, smoke, odd odors, sounds, or anything unusual during operation. Failure to do so may result in fire, bodily injury, or electrical shock.
- Never allow the product to fall, topple over, or otherwise be subjected to excessive shocks when moving it. Otherwise, it may result in product failure.
- The product should be handled only by personnel with sufficient training and knowledge and under the full responsibility of the user.
- Never attempt to disassemble, repair, or alter the product in any way, as doing so may result in fire, burns, or electrical shock.

Caution

Handling

- Installation, placement, connections, wiring, or relocation of the product should be performed by knowledgeable or correctly licensed personnel. Never perform such work while the product is on. Failure to do so may result in bodily injury, fire, burns, or electrical shock.
- Never allow yourself to come into contact with the ends of wires or plugs when measuring insulation resistance or dielectric strength voltage. Otherwise, it may result in electrical shock.
- Never attempt to disassemble or alter the product in any way. Doing so may invalidate any warranties concerning the functions or performance of the product, and may also result in fire, burns, bodily injury, or electrical shock.

Instruction

- Take measures to protect the device from potential damage caused by the product stopping during operation.
- Never use the product at voltages, temperatures, or any other settings which exceed those given in the product specifications. Otherwise, it may result in substandard operation, failure, fire, bodily injury, or electrical shock.
- Never remove the product nameplate or install the product so that the identification cannot be seen after installation. Otherwise, it may result in the product being improperly used, and subsequently result in fires.
- Do not turn the power supply ON/OFF on a ground wire. Otherwise, it may result in product failure.
- Do not apply excessive force to the product while it is operating. Otherwise, it may result in product failure.
- If you install and use the product in a car or a ship, we shall not be responsible for any faults caused by the environment of the car or ship in which the product is installed.

Installation

- When fixing the product into place, be sure to take into consideration the product's weight and all other relevant factors. Failure to do so may result in the product or its parts falling, resulting in bodily injury or device failure.
- Never install or remove the product while it is wired.
- When fixing the product with screws, ensure correct tightening torque. If the tightening torque is over the recommended values, the product structure may deform or break.
- Take proper precautions against static electricity when making electrical connections. Failure to do so may result in device or product failure.
- Make electrical connections properly. Failure to do so may result in device failure, product failure, or product malfunction.
- Ensure that wires are fitted with insulation to prevent accidental short-circuiting. Failure to do so may result in device failure, product failure, or product malfunction.

Operating Environment

- Do not use or store the product where it is exposed to flammable or corrosive gas, water or oil splashes, dust or humidity, condensation, radioactive rays or direct sunlight, salty air or saltwater, or where the product may be contaminated by corrosive materials such as sulfurous water, sulfurous volcanic ash, organic solvents, acidic chemicals, alkali chemicals, nuclear fuel materials, or other hazardous substances. If it is used or stored in such places or environments, there is the possibility that a fire may occur, the product may malfunction or its performance may deteriorate.
- Do not use or store the product in locations and environments where it could be constantly exposed to vibrations, strong shocks, magnetic or electromagnetic noise, or in which electromagnetic noise overlaps into power voltage. Otherwise, it may result in product failure.
- Do not use or store the product in environments subject to sudden changes in temperature and humidity. Otherwise, it may result in product failure.



Maintenance

- Only certified personnel with sufficient training and knowledge should perform maintenance and inspections. Otherwise, it may result in fire, burns, bodily injury, or electrical shock.
- Perform maintenance or inspections while the product is off. Otherwise, it may result in fire, burns, bodily injury, or electrical shock.
- Never use gasoline, paint thinner, benzene, or any other organic solvents to clean the product. Otherwise, it may result in product deformation or substandard operation.

PCB type

- To ensure that the product is used safely, be sure to read and fully understand the Safety Precautions and only use the product as directed.
- Read the Safety Precautions carefully before installing, connecting, operating, maintaining, or inspecting the product.
- The product has been designed and manufactured for use in general industrial machinery, and may not be used as a standalone product.
- The product of our company (hereafter referred to as "the product") falls into the category of the products specified in the Attached List 1, Item 16 (Class 85, Item 43) of the Export Trade Control Ordinance. To export the product as an individual part or to export a product into which the product is assembled, the "Information Requirements" and "Objective Requirements" that the Ministry of Economy, Trade and Industry established based on the "Catchall Controls" must be studied for applicability. Based on information on applicability and specified requirements, appropriate export formalities must be performed.
- When disposing of the product, treat it as industrial waste. For instructions on proper disposal methods, please contact local government authorities.
- When using the product in an environment with vibration, such as in a car or a ship, use it at your own discretion only after deploying sufficient safety measures and making prior evaluations. Fully understand the Safety Precautions described in this instruction manual before using the product.

In order to prevent any possible bodily injury or damage to property or equipment, the following precautions for ensuring safety are displayed according to the following two ranks of importance:

 Danger	Handling or using the product improperly and in disregard of the instructions with this mark may result in serious bodily injury or death.
 Caution	Handling or using the product improperly and in disregard of the instructions with this mark may result in bodily injury or physical damage.

*Note: Items marked 'Caution' may also result in serious bodily injury or death in some circumstances. Always follow the instructions for items marked 'Danger.'

Danger

- If the product is used in medical appliances or other types of equipment that affect people's lives, sufficient safety-related evaluations and preparations must be made in advance, and the product or the type of equipment into which the product is assembled must be used under the full responsibility of the user.
- If the product is used in types of equipment that have a strong social and public impact, sufficient prior evaluations and safety-related evaluations and preparations must be made, and the product or the type of equipment into which the product is assembled must be used under the full responsibility of the user.
- The product is not designed to be used in a car or a ship. When using the product in an environment with vibration, such as in a car or a ship, use it at your own discretion only after deploying sufficient safety measures and making prior evaluations.
- Connect all wires properly and securely. Failure to do so may result in fire, burns, or electrical shock.
- Do not use this product in a location where there is flammable gas. Otherwise, it may result in fire, burns, or bodily injury.
- Only use the product integrated with another device or system. Failure to do so may result in burns or electrical shock.
- Do not touch the product while it is operating. Otherwise, it may result in burns or electrical shock.
- Turn off the power and stop using the product immediately if you notice any sparks, smoke, odd odors, sounds, or anything unusual during operation. Failure to do so may result in fire, bodily injury, or electrical shock.
- Never allow the product to fall, topple over, or otherwise be subjected to excessive shocks when moving it. Otherwise, it may result in product failure.
- The product should be handled only by personnel with sufficient training and knowledge and under the full responsibility of the user.
- Never attempt to disassemble, repair, or alter the product in any way. Failure to do so may result in fire, bodily injury, or electrical shock.

Caution

Handling

- Discharge static electricity from your body before handling the product. In addition, avoid packaging or covering the product with materials which generate static electricity. Contact with static electricity may result in product failure.
- Do not touch solder joints or pins. Otherwise, it may result in bodily injury.
- Installation, placement, connections, wiring, or relocation of the product should be performed by knowledgeable or correctly licensed personnel. Never perform such work while the product is on. Failure to do so may result in bodily injury, fire, burns, or electrical shock.
- Never allow yourself to come into contact with the ends of wires or plugs when measuring insulation resistance or dielectric strength voltage. Otherwise, it may result in electrical shock.
- Never attempt to disassemble or alter the product in any way. Doing so may invalidate any warranties concerning the functions or performance of the product, and may also result in fire, burns, bodily injury, or electrical shock.

Instruction

- Do not touch the product for a period after the power has been turned off as it may still be hot. Otherwise, it may result in burns.
- Take measures to protect the device from potential damage caused by the product stopping during operation.
- Never use the product at voltages, temperatures, or any other settings which exceed those given in the product specifications. Otherwise, it may result in substandard operation, failure, fire, bodily injury, or electrical shock.
- Never remove the product nameplate or install the product so that the identification cannot be seen after installation. Otherwise, it may result in the product being improperly used, and subsequently result in fires.
- Do not turn the power supply ON/OFF on a ground wire. Otherwise, it may result in product failure.
- Do not apply excessive force to the product while it is operating. Otherwise, it may result in product failure.
- If you install and use the product in a car or a ship, we shall not be responsible for any faults caused by the environment of the car or ship in which the product is installed.

Installation

- When fixing the product into place, be sure to take into consideration the product's weight and all other relevant factors. Failure to do so may result in the product or its parts falling, resulting in bodily injury or device failure.
- Never install or remove the product while it is wired.
- When fixing the product with screws, ensure correct tightening torque. If the tightening torque is over the recommended values, the product structure may deform or break.
- Install the product carefully without touching conductors or other electrical components. Touching these components may result in device failure, product failure, or product malfunction.
- Take proper precautions against static electricity when making electrical connections. Failure to do so may result in device or product failure.
- Make electrical connections properly. Failure to do so may result in device failure, product failure, or product malfunction.
- Ensure that wires are not allowed to short-circuit. Failure to do so may result in device failure, product failure, or product malfunction.

Operating Environment

- Do not use or store the product where it is exposed to flammable or corrosive gas, water or oil splashes, dust or humidity, condensation, radioactive rays or direct sunlight, salty air or saltwater, or where the product may be contaminated by corrosive materials such as sulfurous water, sulfurous volcanic ash, organic solvents, acidic chemicals, alkali chemicals, nuclear fuel materials, or other hazardous substances. If it is used or stored in such places or environments, there is the possibility that a fire may occur, the product may malfunction or its performance may deteriorate.
- Do not use or store the product in locations and environments where it could be constantly exposed to vibrations, strong shocks, magnetic or electromagnetic noise, or in which electromagnetic noise overlaps into power voltage. Otherwise, it may result in product failure.
- Do not use or store the product in environments subject to sudden changes in temperature and humidity. Otherwise, it may result in product failure.

Maintenance

- Only certified personnel with sufficient training and knowledge should perform maintenance and inspections. Otherwise, it may result in fire, burns, bodily injury, or electrical shock.
- Perform maintenance or inspections while the product is off. Otherwise, it may result in fire, burns, bodily injury, or electrical shock.
- Never use gasoline, paint thinner, benzene, or any other organic solvents to clean the product. Otherwise, it may result in product deformation or substandard operation.

Airflow Tester

■ Features (Patented as a movable measurement device for measuring device airflow and system impedance)

Enables the selection of the optimal fan for a device

An optimal fan for a device can be selected by entering accurate measurement results into thermal design simulation software.

Compact and lightweight

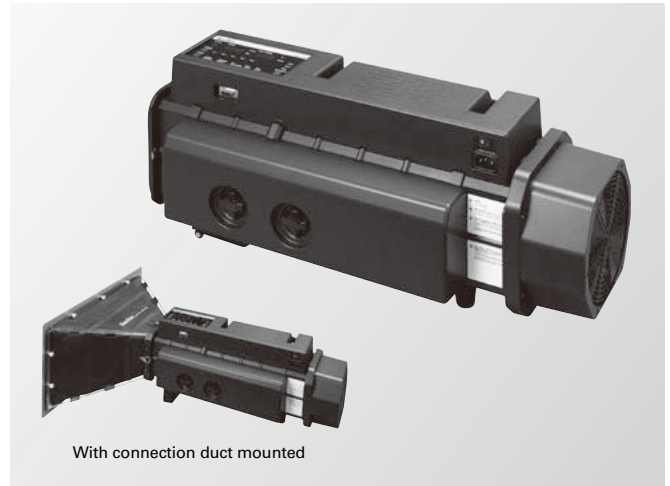
With a compact design and weight of approximately 6 kg, it is portable enough to measure immobile equipment.

■ Measurement Functions

- System Impedance Measurement of the resistance to the flow of air within a device
- Operating Airflow Measurement of the actual airflow that passes through a device when a fan is mounted
- P-Q Performance Measurement of airflow versus static pressure characteristics*

*: Performance curve that illustrates the characteristics of a fan for use within a certain system.

It shows the relationship between airflow and static pressure.



With connection duct mounted



■ Specifications

Model no.		9AT2560S-000□*1	9AT2560A-000□*1	9AT2560C-000□*1
Measurement units	Airflow	m ³ /min	CFM	CFM
	Static pressure	Pa	inchH ₂ O	Pa
Measurement range	Airflow	0.20 to 8.00 m ³ /min	7 to 282 CFM	7 to 282 CFM
	Static pressure	0 to 1,000 Pa	0 to 4.01 inchH ₂ O	0 to 1,000 Pa
Measurement accuracy	Airflow	±7% of maximum measurable airflow with each nozzle		
	Static pressure	±10 Pa (0.04 inchH ₂ O) for measurement results lower than 200 Pa, ±50 Pa (0.20 inchH ₂ O) for measurement results higher than 200 Pa		
Operating environment	Ambient temperature	0 to 40 °C		
	Humidity	20 to 85% RH (non-condensing)		
Display		Data no., Measurement values (airflow, static pressure* ²), Measurement status, Nozzle selection, Measurement mode selection		
Interface		Digital output: Included USB serial adapter		
Power supply	Input voltage	100 to 240 VAC, 50/60 Hz		
	Power consumption	260 VA max.		
Dimensions		600 (W) × 250 (H) × 250 (D) mm		
Mass		Main unit: Approx. 6 kg, Connection duct (including board holder): Approx. 1.5 kg		
Included peripherals		1 Set of measurement nozzles, Plastic mounting board (5 pcs / set), Connection duct, AC power cable (2.5 m), USB serial adapter, Instruction manual, Quick start guide, Data viewer software		

*1: The AC power plug shape differs with the number in □ of model numbers.

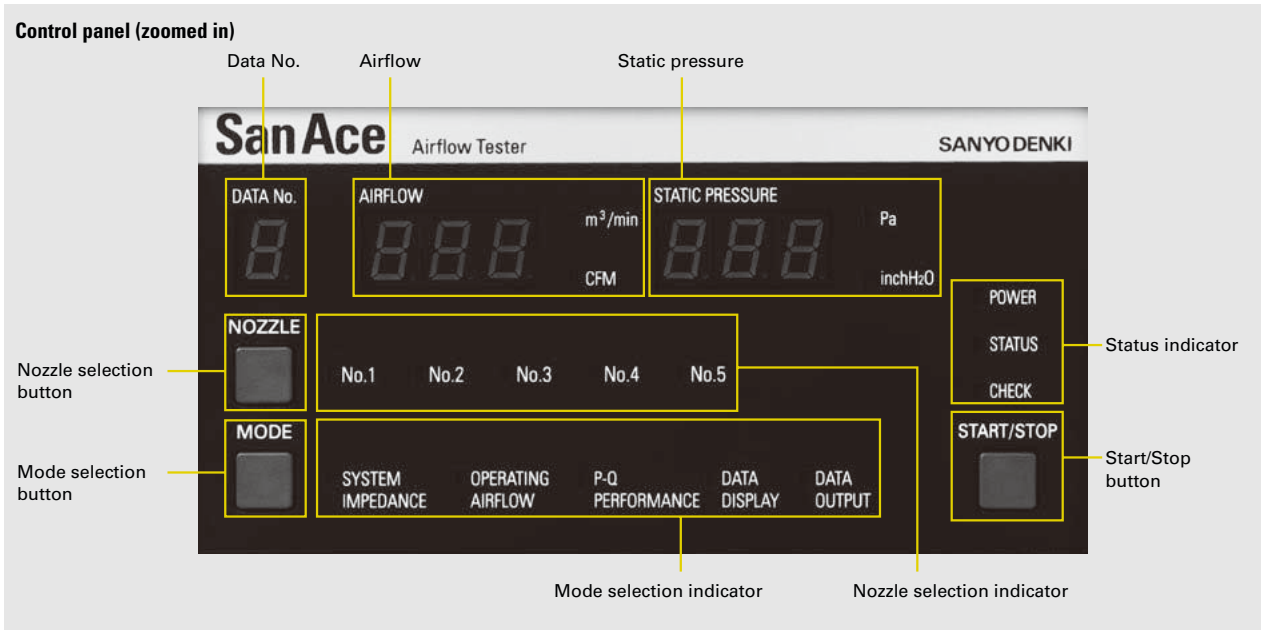
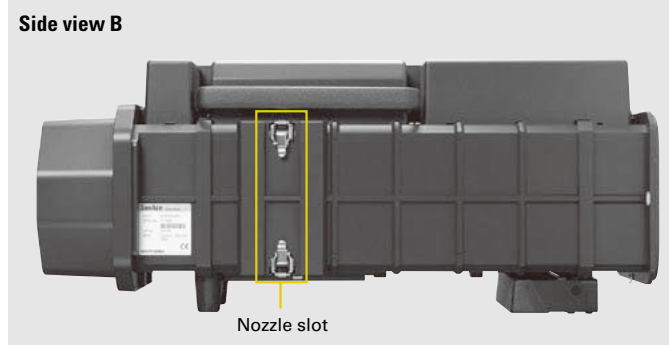
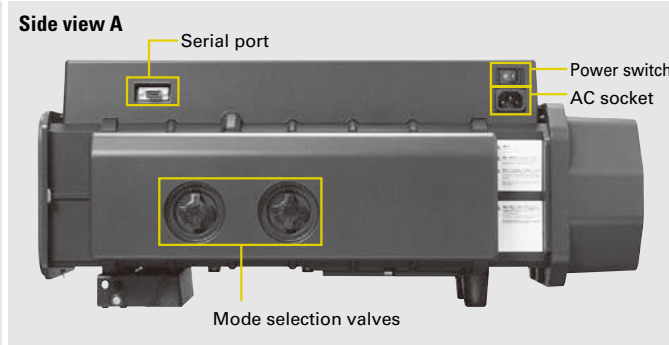
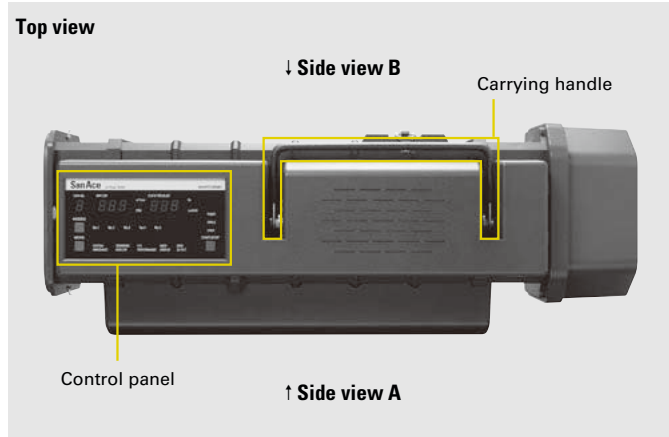
AC power plug included in models with 1 in □ is for Japan and North America regions (2 parallel flat pins + a round grounding pin), Input voltage: 100/120 VAC, 50/60 Hz

AC power plug included in models with 2 in □ is for Europe region (2 round pins + a female grounding contact), Input voltage: 220 VAC, 50 Hz

AC power plug included in models with 3 in □ is for China region (2 angled flat pins + a flat grounding pin), Input voltage: 220 VAC, 50 Hz

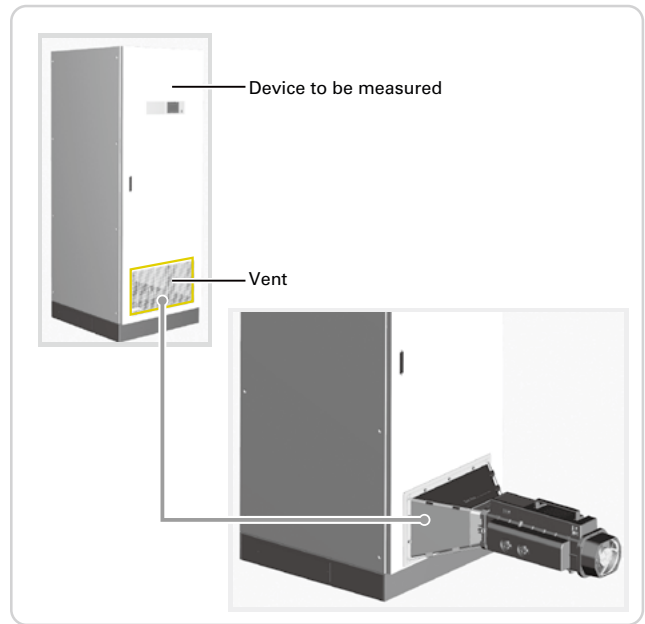
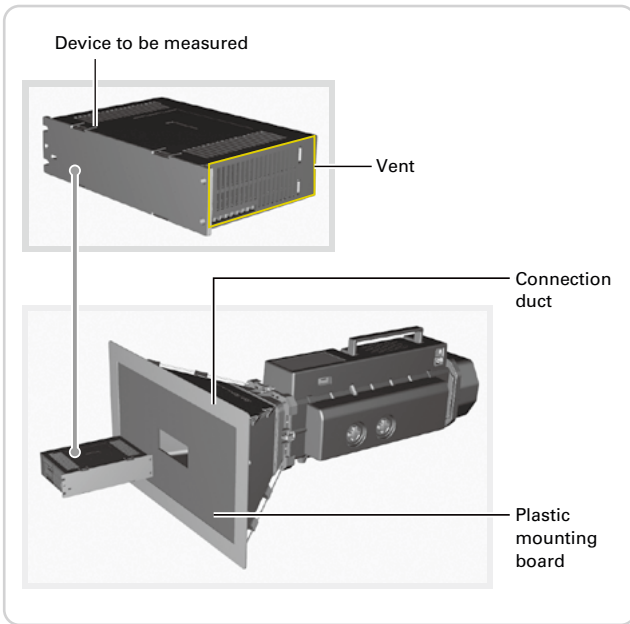
Product also available without an AC power cable. Model no. 9AT2560S-0000, 9AT2560A-0000, 9AT2560C-0000

*2: Static pressure values are calculated with standard atmosphere as 1013 hPa at 20 °C.



Usage Examples

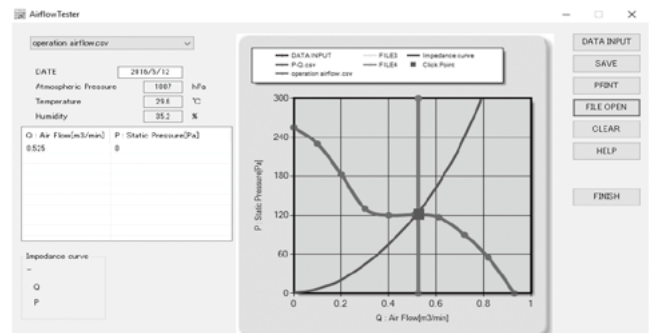
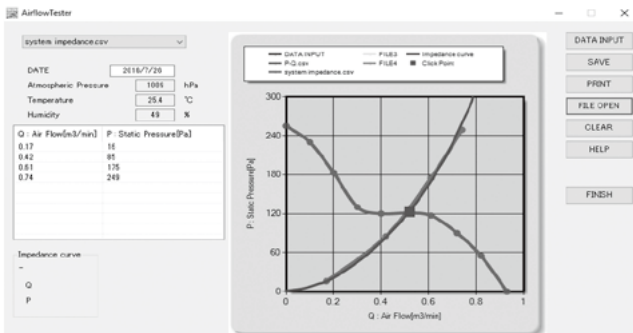
Cut out a hole in the mounting board matching the vent opening of the device to be measured, and place the mounting board firmly against the device to perform measurements.



Data viewer software (included)

Obtained measurement data can be represented as a graph and saved on a PC.

Screen examples P-Q performance shown below based on catalog data.



Option

Carrying case Measurement nozzle case included

Model no.	9AT2560-B001 Please add "CS" to the end of the model no. of Airflow Tester in page 1 when ordering Airflow Tester and carrying case as a set. e.g. 9AT2560S-0001CS
Dimensions	705 (W) × 385 (H) × 415 (D) mm



Carrying case, measurement nozzle case

Plastic mounting boards

Sized to fit the duct frame. Five boards included with Airflow Tester.

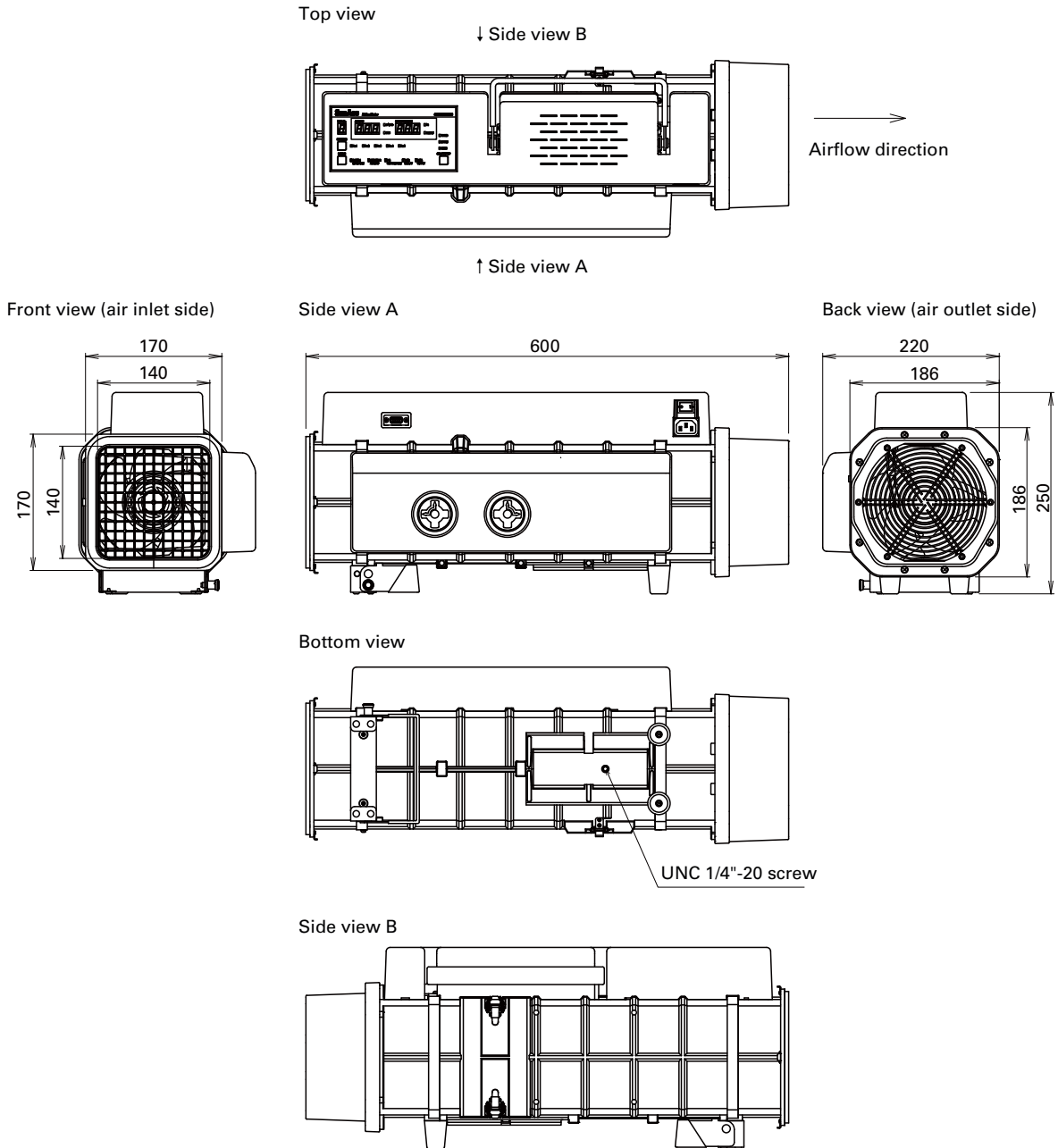
Model no.	9AT2560-P001
Quantity	5 pcs / set
Dimensions	525 (W) × 275 (H) × 4 (D) mm



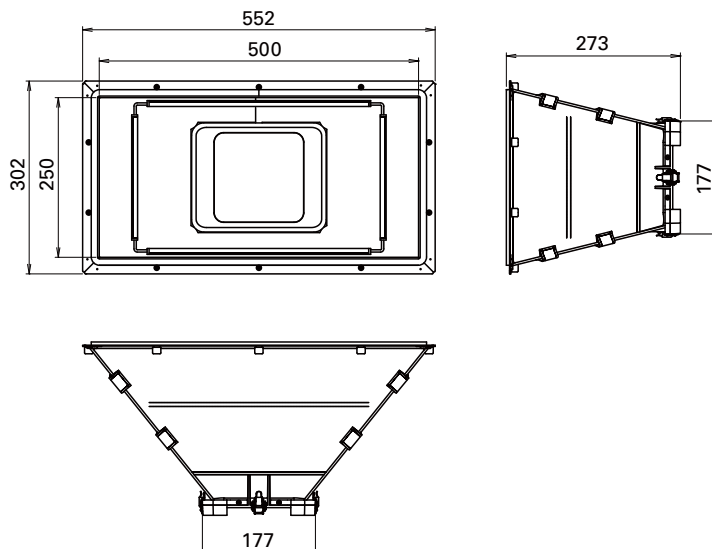
Plastic mounting boards (5 pcs)

■ Dimensions (unit: mm)

● Main unit



● Connection duct





Safety Precautions


Please read the instruction manual and its appendix carefully prior to installation, operation, maintenance or inspection and perform all tasks according to the instructions provided here.

A good understanding of this equipment, its safety information as well as all Warnings/Cautions is also necessary prior to operation.



Matters that require attention are ranked as "Danger", "Warning", and "Caution" in this document.

Warning Symbols

 Warning	Denotes immediate hazards which could cause severe bodily injury or death as a result of incorrect operation.
 Caution	Denotes hazards which could cause bodily injury and product or property damage as a result of incorrect operation.

 **Caution** Even those hazards denoted by this symbol could lead to a serious accident. Make sure to strictly follow these safety precautions.

Prohibited, Mandatory Symbols

	Indicates actions that must not be allowed to occur / prohibited actions.
	Indicates actions that must be carried out / mandatory actions.

Warning

Operating Precautions

- Avoid using the product in the presence of flammable, explosive, or corrosive gases, locations subjected to splashing water or oil, or near combustibles. Otherwise, it may result in electric shock, bodily injury, fire, product failure, or damage.
- Turn off the power before performing any wiring, maintenance, or inspection. Once the power is off, remove the AC power cable, and confirm that the POWER LED is off before performing these tasks. Failure to do so may result in electric shock.
- Operate the product with dry hands. Failure to do so may result in electric shock.
- Never attempt to disassemble or alter the product in any way. Otherwise, it may result in electric shock, bodily injury, fire, product failure, or damage.
- Do not damage the AC power cable. Otherwise, it may result in electric shock, bodily injury, fire, product failure, or damage.
- If the product emits unusual noise, odors, or smoke, or if water or other liquids enter the product, immediately turn off the power and disconnect the power cable. Otherwise, it may result in electric shock, bodily injury, fire, product failure, or damage.
- Read the instruction manual carefully prior to using the product. Failure to do so may result in electric shock, bodily injury, fire, product failure, or damage.
- Always use the supplied AC power cable if included. Using an AC power cable with inappropriate ratings may result in electric shock, bodily injury, fire, product failure, or damage.
- If an AC power cable is not included, please prepare a cable matching the specifications listed in section 9.2 "Specifications" of Instruction Manual. Using an AC power cable with inappropriate ratings may result in electric shock, bodily injury, fire, product failure, or damage.
- Prior to turning on the power, be sure to ground the product by connecting it to a grounded outlet. Insufficient grounding may result in electric shock, bodily injury, fire, product failure, or damage.

Caution

Operating Precautions

- Avoid using the product near bodies of salt water or other locations susceptible to salt damage. Otherwise, it may result in product failure or damage caused by salt.
- Due to the internal power supply, certain sections of the product may experience an elevation in temperature that may cause a burn or bodily injury.
- Do not use the product outside its specifications. Otherwise, it may result in electric shock, bodily injury, fire, product failure, or damage.
- Do not use the product if it is defective, damaged, or burnt out. Otherwise, it may result in electric shock, bodily injury, or fire.
- When not using the product, turn off the power and unplug the AC power cable. Failure to do so may result in electric shock, bodily injury, fire, product failure, or damage.

Transportation

- Excess stacking may cause the load to collapse so follow the directions written on the outside box. Failure to do so may result in bodily injury or damage.
- Handle the product with care during transportation, as it is dangerous if dropped. Failure to do so may result in bodily injury.
- The product is heavy so handle with care. Failure to do so may result in bodily injury.

Handling

- Do not apply excessive stress or place heavy objects on the product. Otherwise, it may result in electric shock, bodily injury, product failure, or damage.
- Transport the product using the carrying handle. Failure to do so may result in bodily injury, product failure, or damage.
- Do not drop the product or subject it to excessive shock of any kind. Otherwise, it may result in product failure or damage.
- If the connection duct or tripod is attached to the main unit, make sure it does not tip over or drop while moving. Otherwise, it may result in bodily injury, product failure, or damage.
- Only use the product as specified in this instruction manual. Failure to do so may result in product failure or damage.
- Make sure that the intake and exhaust vents are free of debris and foreign matter. Otherwise, it may result in bodily injury, product failure, or damage.
- Mount the product on incombustible material below 60°C. Failure to do so may result in fire, product failure, or damage.

Connecting the AC Power Cable

- Connect the AC power cable as instructed by the instruction manual. Failure to do so may result in electric shock, bodily injury, fire, product failure, or damage.

Operation

- Operate the product within the specified input-power voltage to maintain stability. Otherwise, it may result in electric shock, bodily injury, fire, product failure, or damage.
- The auxiliary fan rotates during operation. Make sure that the intake and exhaust vents are free of debris and foreign matter.
- Keep hands away from the exhaust vent. Failure to do so may result in bodily injury, fire, product failure, or damage.

Maintenance and Inspection

- Some parts of the product (fan motor, gasket, electrolytic condenser, sensor, LED, switches) can deteriorate with long-term use. As preventive maintenance, perform periodic maintenance and inspection to maintain measuring accuracy. For details on maintenance, inspection, and repair, please contact SANYO DENKI. Disassembly is not to be performed by the end-user. Disassembly may result in electric shock, bodily injury, fire, malfunction, product failure, or damage.

Prohibited

Handling

- Do not scratch the connection duct with sharp objects as it may tear or damage the material.

Operation

- Applying voltage outside the input voltage range may result in electric shock, bodily injury, fire, product failure, or damage. Never use voltages outside of specification.
- Keep the USB serial adapter away from static electricity and high voltage. Failure to do so may result in failure or damage.
- Do not use a polarized grounding adapter with the product. Otherwise, it may result in electric shock, bodily injury, fire, product failure, or damage.

Storage

- Do not store the product where it could be exposed to rain, water, toxic gases, or other liquids. Failure to do so may result in product failure or damage.

Maintenance and Inspection

- Do not perform disassembly, inspection, or repairs. Otherwise, it may result in electric shock, bodily injury, fire, product failure, or damage.
- Do not measure the insulation resistance or the pressure resistance. Otherwise, it may result in product failure or damage.
- Never unplug the AC power cable while the power is on as the resulting surge voltage may damage electronic components. Otherwise, it may result in electric shock, bodily injury, or fire.
- Do not remove the nameplate attached to the product. Doing so voids the warranty.
- Do not wipe the product with benzene, paint thinner, or other solvents. Otherwise, it may result in deformation, deterioration, discoloration, product failure, or damage.

Mandatory

Operation

- In the case of any irregular operation, stop the device immediately. Otherwise, it may result in electric shock, bodily injury, fire, product failure, or damage.
- As a provisional measure, ensure that the power can be turned off at any time. Inability to turn off the power may result in electric shock, bodily injury, fire, product failure, or damage.
- If an error occurs, eliminate the cause and ensure safety before resuming.
- Use the product within the specified temperature and humidity range. Failure to do so may result in product failure or damage.
Temperature: 0°C to 40°C / Humidity 20 to 85% RH (non-condensing)
- Be sure to use the supplied AC power cable to prevent electric shock, bodily injury, fire, product failure, or damage.
- Be sure to prepare a cable matching the ratings listed in section 9.2 "Specifications" of Instruction Manual to prevent electric shock, bodily injury, fire, product failure, or damage.
- Prior to turning on the power, be sure to ground the product by connecting it to a grounded outlet to prevent electric shock, bodily injury, fire, product failure, or damage.

Storage

- Store the product in a location that is not exposed to direct sunlight, at a temperature and humidity within specifications. Failure to do so may result in product failure.
- If the product has been stored for a long period, contact SANYO DENKI. There is the possibility that components may have deteriorated and require maintenance.

Disposal

- When disposing of the product, treat it as industrial waste.

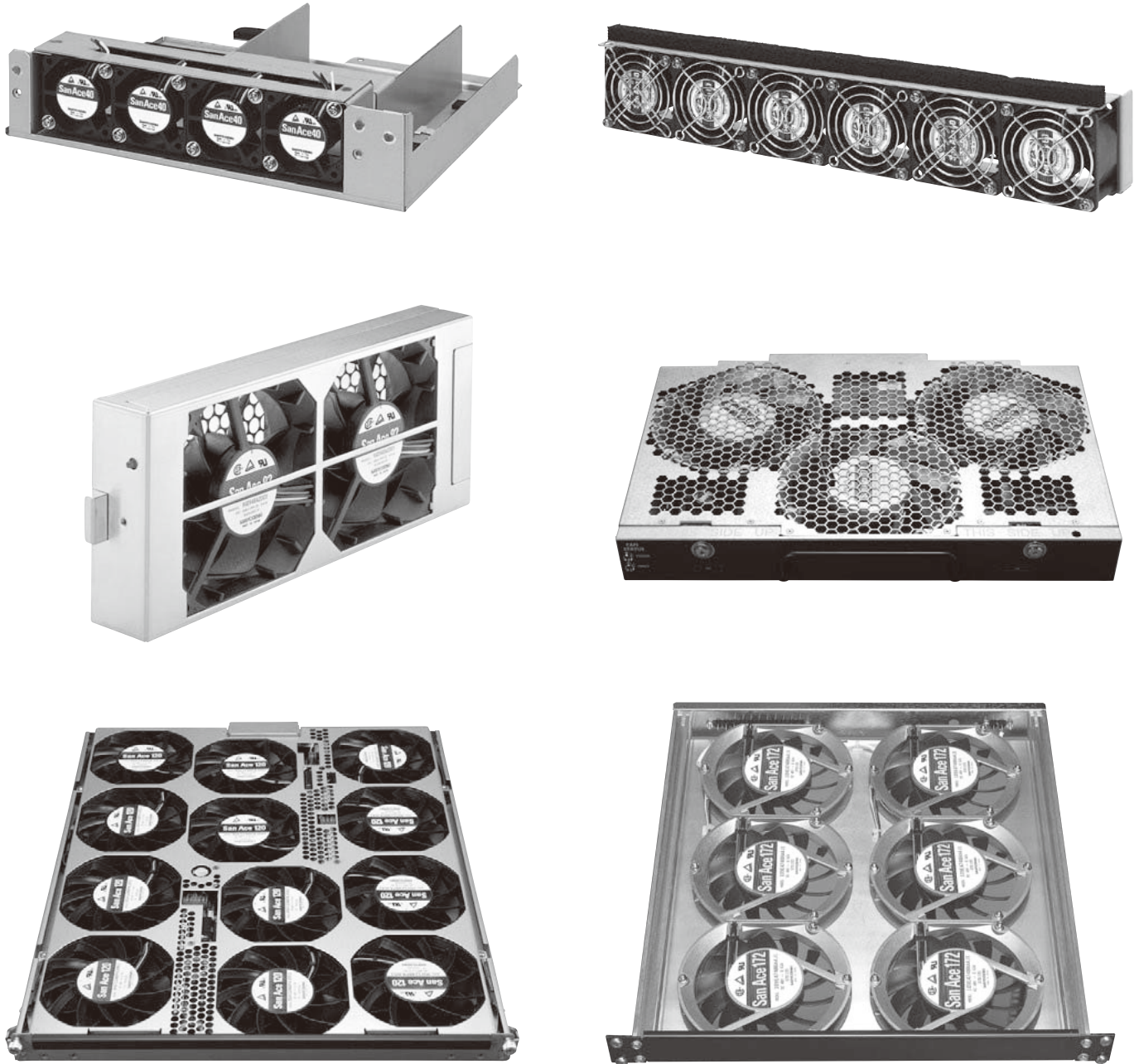
Cooling Fan Units CUSTOMIZED PRODUCTS

Features

DC AC

We provide assembled fan units in accordance with the specification or requirements of the equipment. For use in communications equipment, servers, storage systems.

■ Example



Electrolytic Corrosion Proof Fans CUSTOMIZED PRODUCTS → p. 484

Features

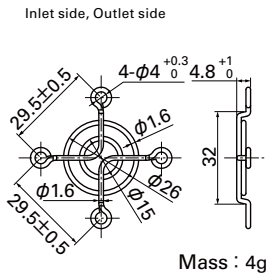
DC AC

This cooling fan prevents electrolytic corrosion of bearings even under conditions where electromagnetic noise is generated. Electrolytic corrosion of ball bearings is prevented by using ceramic balls in ball bearings. The ceramic material is an insulating material. Manufacturable to meet specifications of all San Ace series fans.

Dimensions (unit : mm)

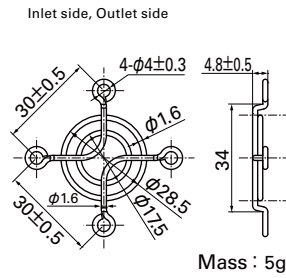
36mm sq. type

Model : 109-1050 Surface treatment : Nickel-chrome plating (silver) Color (silver)



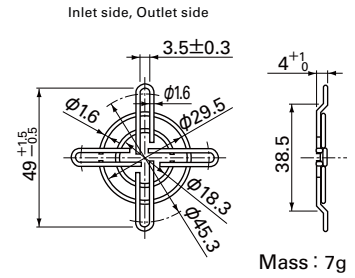
38mm sq. type

Model : 109-1065 Surface treatment : Nickel-chrome plating (silver) Color (silver)



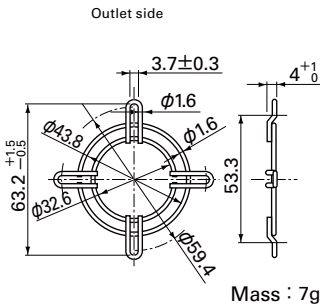
40mm sq. type

Model : 109-059 Surface treatment : Nickel-chrome plating (silver) Color (silver)
Model : 109-059H Surface treatment : Cation electropainting (black) Color (black)



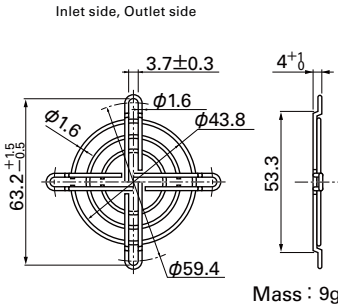
52mm sq. type

Model : 109-149 Surface treatment : Nickel-chrome plating (silver) Color (silver)



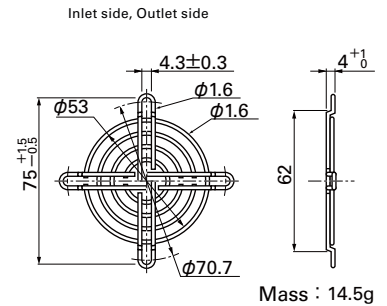
52mm sq. type

Model : 109-149E Surface treatment : Nickel-chrome plating (silver) Color (silver)



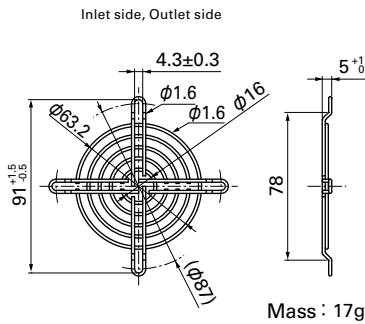
60mm sq. type

Model : 109-139E Surface treatment : Nickel-chrome plating (silver) Color (silver)
Model : 109-139H Surface treatment : Cation electropainting (black) Color (black)



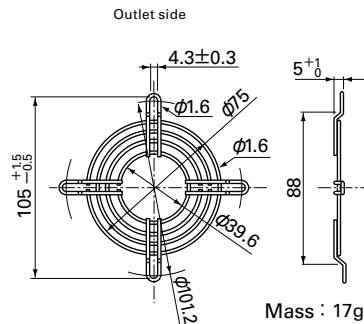
70mm sq. type

Model : 109-1128 Surface treatment : Nickel-chrome plating (silver) Color (silver)



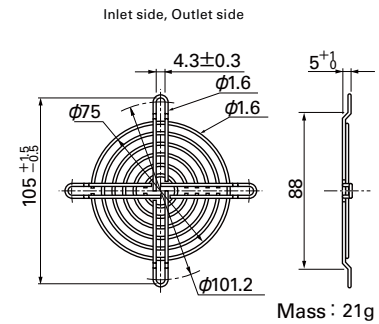
80mm sq. type

Model : 109-049C Surface treatment : Nickel-chrome plating (silver) Color (silver)



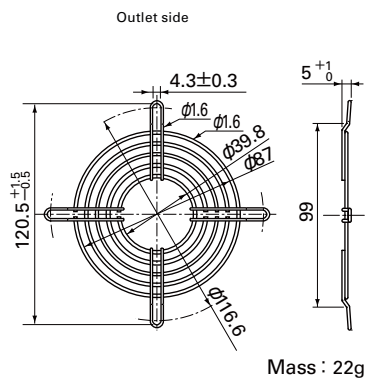
80mm sq. type

Model : 109-049E Surface treatment : Nickel-chrome plating (silver) Color (silver)
Model : 109-049H Surface treatment : Cation electropainting (black) Color (black)



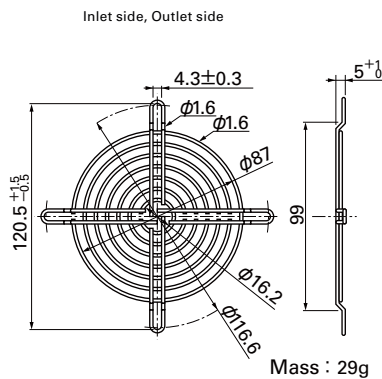
92mm sq. type

Model : 109-099C Surface treatment : Nickel-chrome plating (silver) Color (silver)



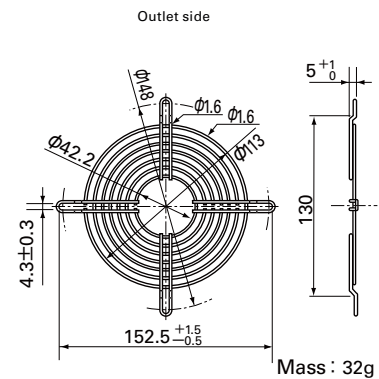
92mm sq., φ100mm type

Model : 109-099E Surface treatment : Nickel-chrome plating (silver) Color (silver)
Model : 109-099H Surface treatment : Cation electropainting (black) Color (black)



120mm sq. type

Model : 109-019C Surface treatment : Nickel-chrome plating (silver) Color (silver)
Model : 109-019H Surface treatment : Cation electropainting (black) Color (black)



Option

Finger guards

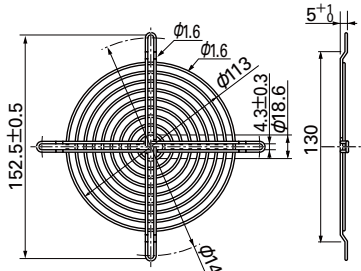
DC AC

Dimensions (unit : mm)

120mm sq. type

Model : 109-019E Surface treatment : Nickel-chrome plating Color (silver)
 : 109-019K : Cation electroplating (black)

Inlet side, Outlet side

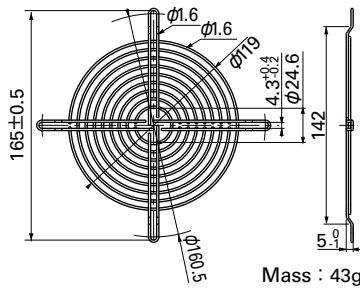


Mass : 42g

127mm sq., φ175mm type

Model : 109-722 Surface treatment : Nickel-chrome plating Color (silver)

Inlet side, Outlet side

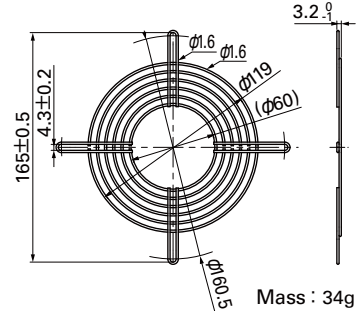


Mass : 43g

127mm sq. type

Model : 109-723 Surface treatment : Nickel-chrome plating Color (silver)

Outlet side

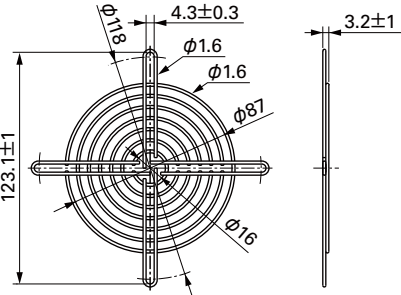


Mass : 34g

φ133mm type

Model : 109-1112 Surface treatment : Nickel-chrome plating Color (silver)

Inlet side

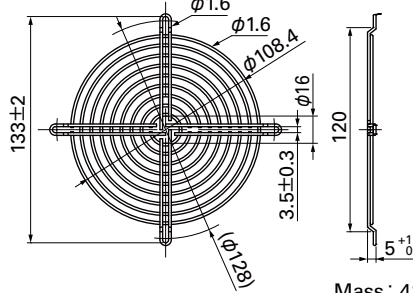


Mass : 65g

φ136mm type

Model : 109-1139 Surface treatment : Nickel-chrome plating Color (silver)

Impeller side, Nameplate side

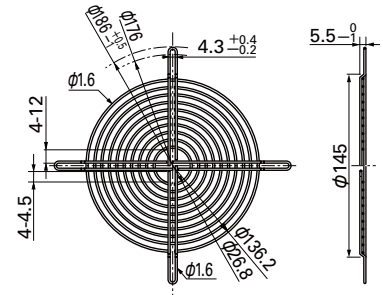


Mass : 41g

140mm sq. type

Model : 109-719 Surface treatment : Nickel-chrome plating Color (silver)

Inlet side, Outlet side

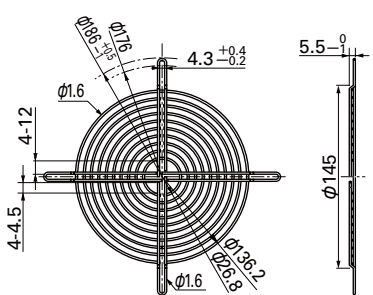


Mass : 51g

140mm sq. type

Model : 109-719H Surface treatment : Cation electroplating Color (black)

Inlet side, Outlet side

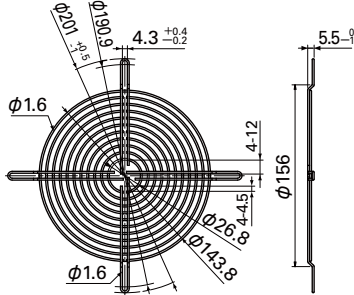


Mass : 51g

150mm sq. type

Model : 109-1051 Surface treatment : Nickel-chrome plating Color (silver)

Inlet side, Outlet side

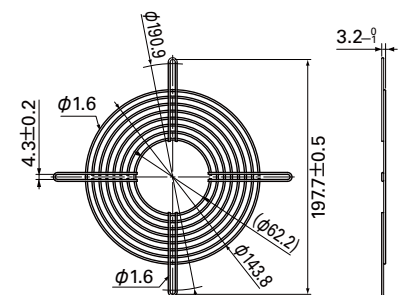


Mass : 63g

150mm sq. type

Model : 109-1052 Surface treatment : Nickel-chrome plating Color (silver)

Outlet side

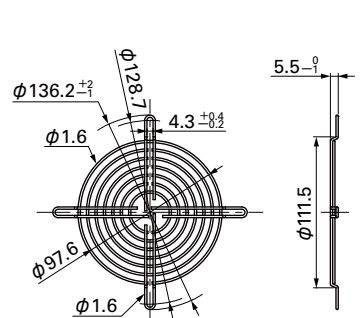


Mass : 53g

φ150mm type

Model : 109-1104 Surface treatment : Nickel-chrome plating Color (silver)
 : 109-1104H : Cation electroplating (black)

Inlet side

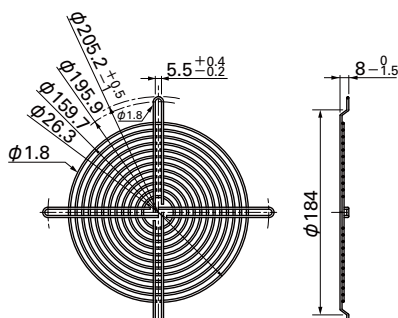


Mass : 31g

160mm sq. type

Model : 109-619E Surface treatment : Nickel-chrome plating Color (silver)
 Model : 109-619H : Cation electroplating (black)

Inlet side, Outlet side

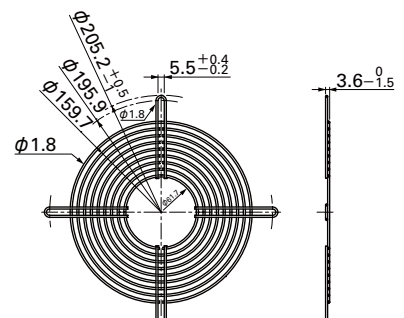


Mass : 85g

160mm sq. type

Model : 109-620 Surface treatment : Nickel-chrome plating Color (silver)

Outlet side

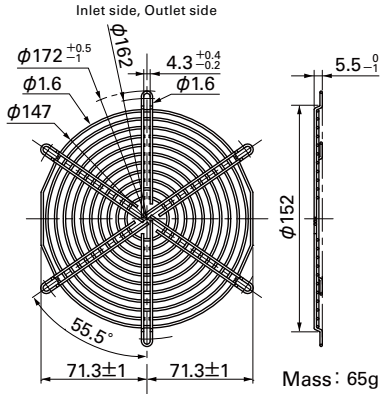


Mass : 74g

Dimensions (unit : mm)

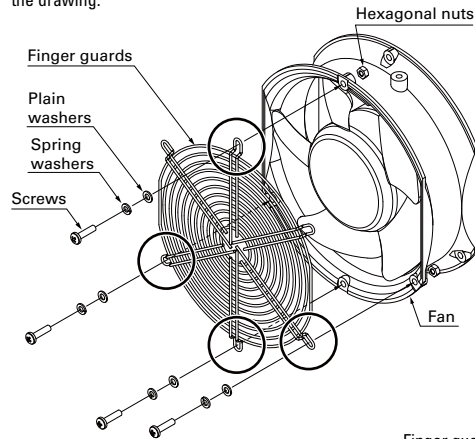
φ172mm SideCut type

Model : 109-319J Surface treatment : Nickel-chrome plating (silver) Color
 Applicable Model: 9SG57**P5***/9GV57**H501 : Cation electroplating (black)
 9CR5748PG001/9WVG5748P5*001



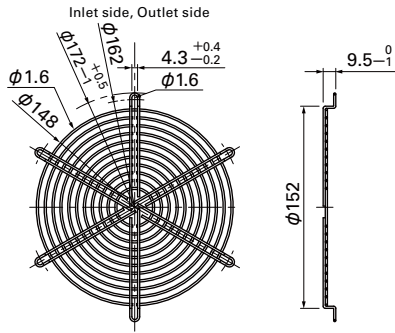
Mass : 65g

Finger guard 109-319J should be mounted with four holes as in the drawing.



φ172mm SideCut, Round type

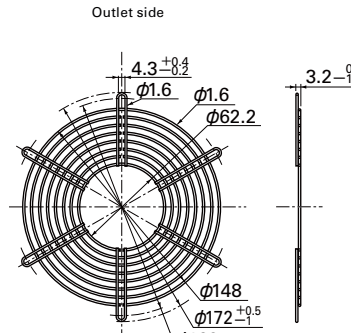
Model : 109-319E Surface treatment : Nickel-chrome plating (silver) Color
 : 109-319H : Cation electroplating (black)



Mass : 69g

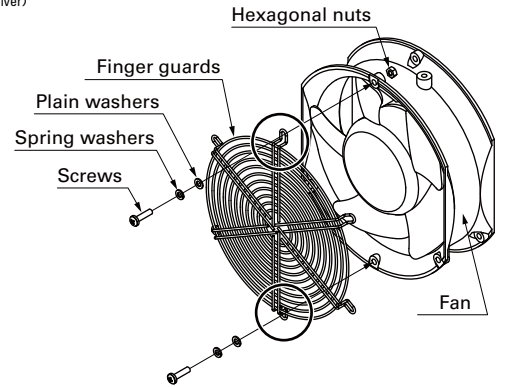
φ172mm SideCut, Round type

Model : 109-320 Surface treatment : Nickel-chrome plating (silver) Color



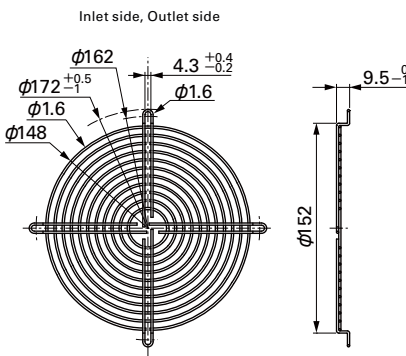
Mass : 53g

Finger guards 109-319E, 109-319H, and 109-320 should be mounted with two holes as in the drawing and do not use any other holes.



φ172mm Round type

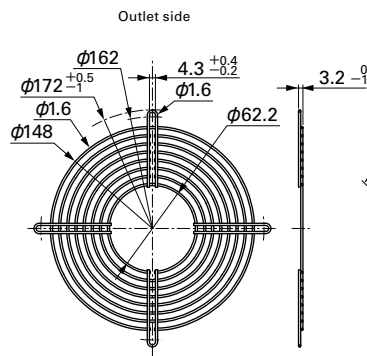
Model : 109-1066 Surface treatment : Nickel-chrome plating (silver) Color



Mass : 61g

φ172mm Round type

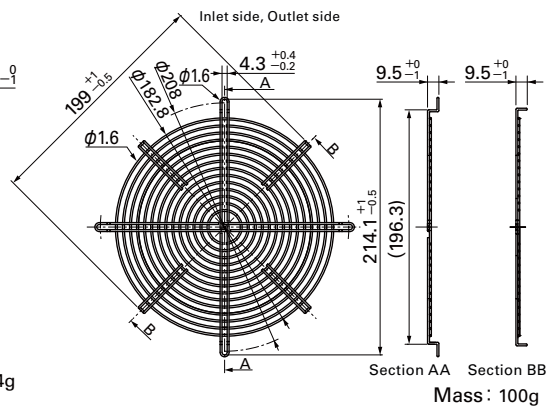
Model : 109-1068 Surface treatment : Nickel-chrome plating (silver) Color



Mass : 54g

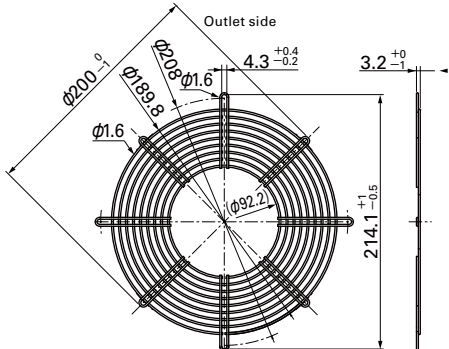
φ200mm type

Model : 109-1102 Surface treatment : Nickel-chrome plating (silver) Color
 Applicable Model: 9GV2048P0G201



φ200mm type

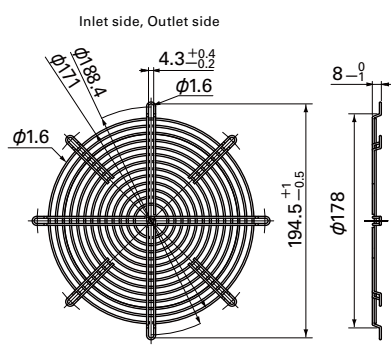
Model : 109-1103 Surface treatment : Nickel-chrome plating (silver) Color
 Applicable Model: 9GV2048P0G201



Mass : 80g

φ200mm type

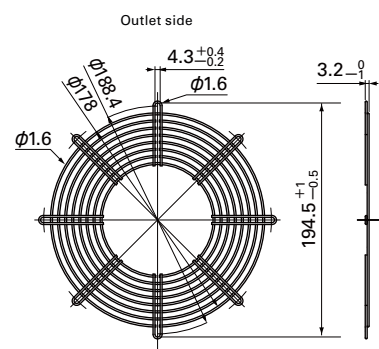
Model : 109-720 Surface treatment : Nickel-chrome plating (silver) Color
 : 109-720H : Cation electroplating (black)
 Applicable Model: 109E2024****/9EC20***001



Mass : 84g

φ200mm type

Model : 109-721 Surface treatment : Nickel-chrome plating (silver) Color
 : 109-721H : Cation electroplating (black)
 Applicable Model: 109E2024****/9EC20***001



Mass : 66g

Option

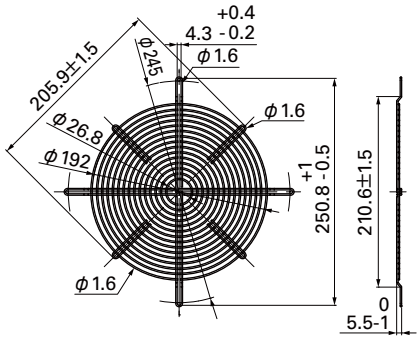
Finger guards

DC AC

Dimensions (unit : mm)

φ221mm type

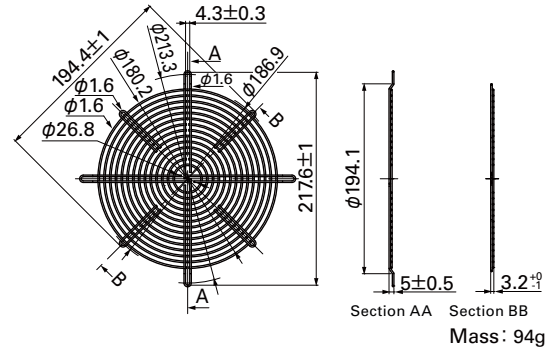
Model : 109-1138 Surface treatment : Nickel-chrome plating (silver) Color (silver)



Mass : 105g

φ225mm type

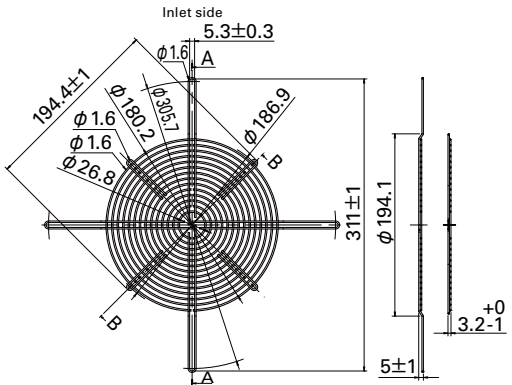
Model : 109-1137 Surface treatment : Nickel-chrome plating (silver) Color (silver)



Mass : 94g

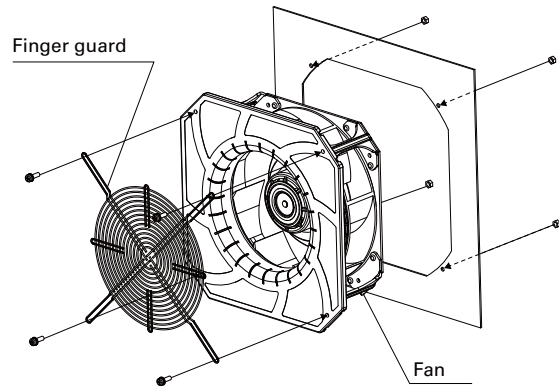
270mm sq. type (for Bracket-mounted Centrifugal Fan)

Model : 109-1146 Surface treatment : Nickel-chrome plating (silver) Color (silver)



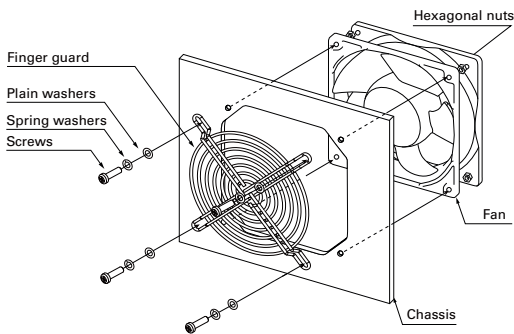
Mass : 106g

Finger guard 109-1146 should be mounted with four holes as in the drawing.

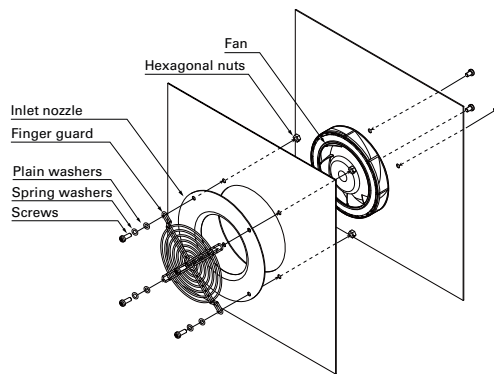


Mounting example

Axial fan



Centrifugal fan



Inlet nozzle for centrifugal fan and splash proof centrifugal fan

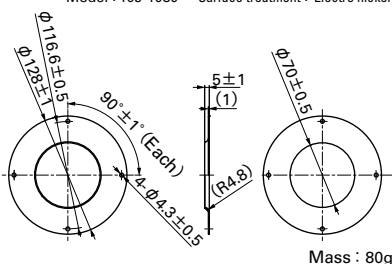
DC

Nozzle mounted in fan inlet side to adjust the flow of introduced air. Material: Steel sheet

Dimensions (unit : mm)

φ100mm type

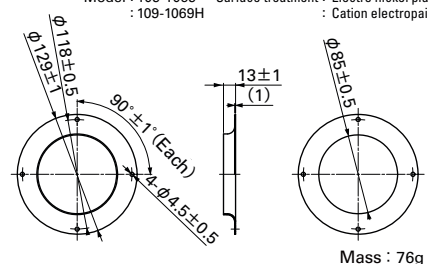
Model : 109-1080 Surface treatment : Electro nickel plating (silver) Color (silver)



Mass : 80g

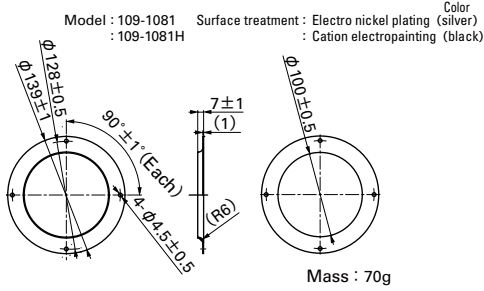
φ133mm type

Model : 109-1069 Surface treatment : Electro nickel plating (silver) Color (silver)
: 109-1069H : Cation electropainting (black)

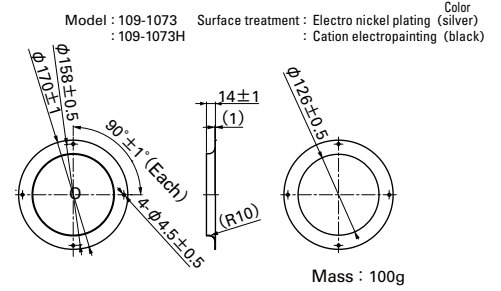


Mass : 76g

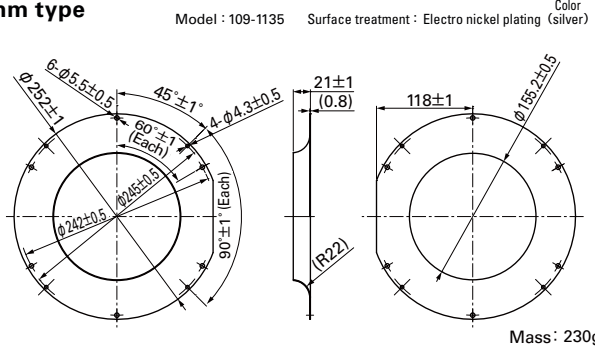
φ150mm type



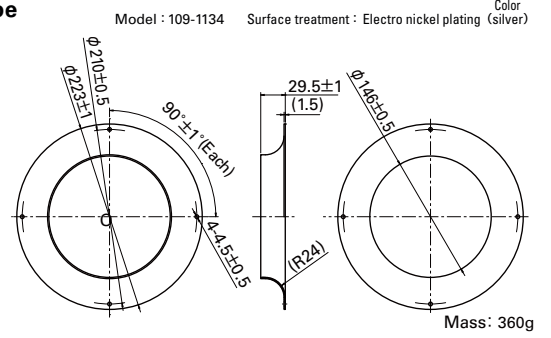
φ175mm type



φ221mm type



φ225mm type

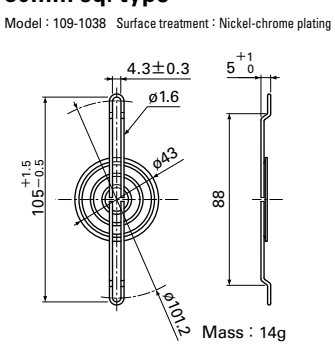


EMC guards

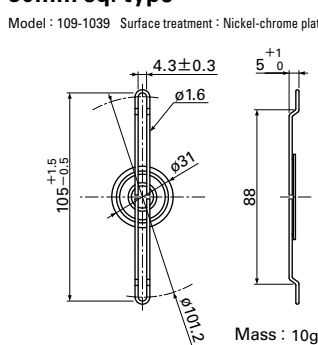
It is a metallic piece that protects materials from the adverse effects of electromagnetic noise sources. It provides electromagnetic shielding. It is attached to the casing of a device by means of the fan fixing screw(s). Ground the devices equipped with an EMC guard.

Dimensions (unit : mm)

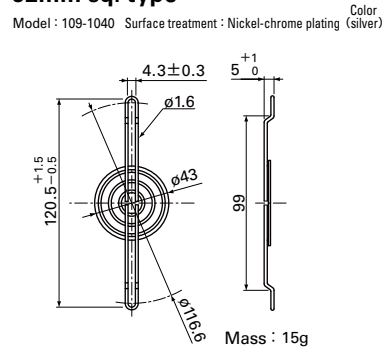
80mm sq. type



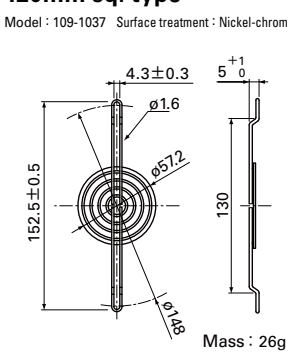
80mm sq. type



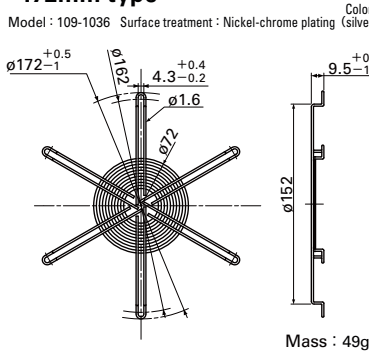
92mm sq. type



120mm sq. type



φ172mm type

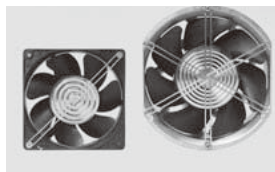


EMC guard

Dimensions of fans (mm)	Representative fans model numbers	EMC guards model numbers
80×80×15	109P08*	109-1039
	9GA08*	109-1038
80×80×20	109L08*	109-1038
	9GV08*	109-1038
80×80×25	109R08*	109-1039
	9A08*	
	9GA08*	
80×80×32	109P08*	109-1038
	9GA08*	109-1039
80×80×38	9G08*	109-1039
	9GA08*	
	9GV08*	
92×92×25	109L09*	109-1040
	109P09*	
92×92×32	9G09*	109-1040
	9G09*	
92×92×38	9G09*	109-1040
	9GV09*	
	9GA09*	
120×120×25	9G12*	109-1037
	9GV12*	
120×120×38	9GL12*	109-1037
	9LB12*	
	9G12*	
	9GV12*	
	9HV12*	
	9SG57*	
φ172×25	109E47*	109-1036
	109L17*	
φ172×51	9GV57*	109-1036
	109E17*	
	109E57*	
	9SG57*	
	9SG57*	



EMC guard



attached to a cooling fan

Resin finger guards

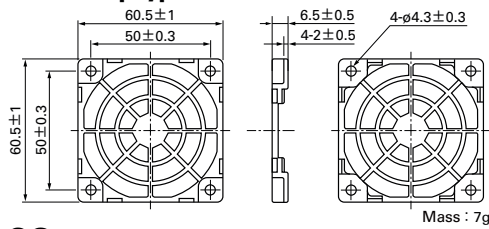
DC AC

Dimensions(unit : mm)

Material Frame : Resin (PPE+PS) UL File No.E82268 94V-0

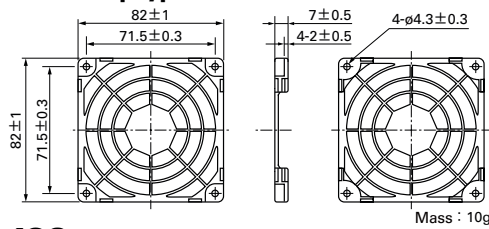
60mm sq. type

Model : 109-1003G



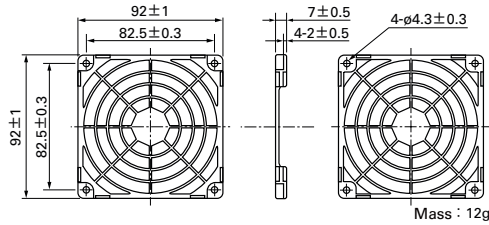
80mm sq. type

Model : 109-1002G



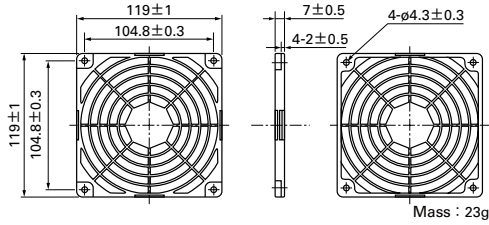
92mm sq. type

Model : 109-1001G



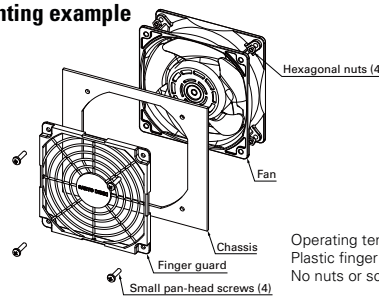
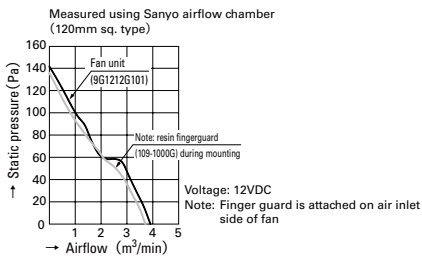
120mm sq. type

Model : 109-1000G



Airflow and Static Pressure Characteristics

Mounting example



Operating temperature limit is between -20°C to +70°C (non condensing)
Plastic finger guards are placed on both the intake and exhaust sides of the fan.
No nuts or screws for use in attachment included.

Resin filter kits

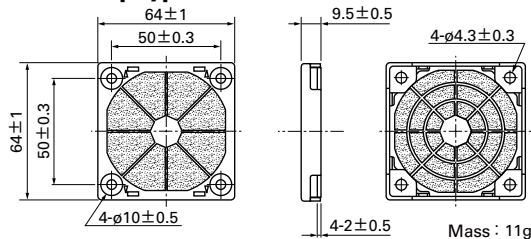
DC AC

Dimensions (unit : mm)

Material Guard, cover : Resin (PPE+PS) UL File No.E82268 94V-0
Filter : Polyurethane foam UL File No.E74916(S) 94HF-1

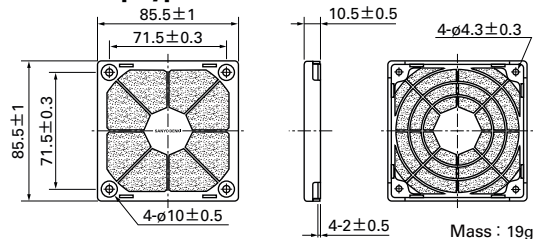
60mm sq. type

Model : 109-1003F13 (13PPI) 109-1003F20 (20PPI)
: 109-1003F30 (30PPI) 109-1003F40 (40PPI)



80mm sq. type

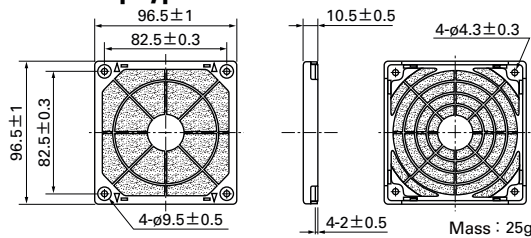
Model : 109-1002F13 (13PPI) 109-1002F20 (20PPI)
: 109-1002F30 (30PPI) 109-1002F40 (40PPI)



Replacement filter (5 sheets each)
60mm sq. type
109-1003M13 (13PPI)
109-1003M20 (20PPI)
109-1003M30 (30PPI)
109-1003M40 (40PPI)

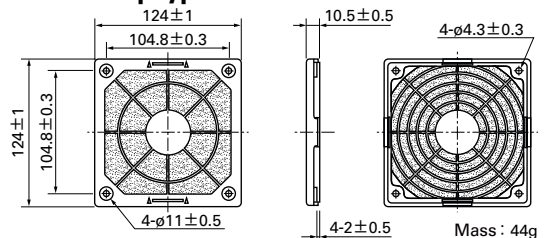
92mm sq. type

Model : 109-1001F13 (13PPI) 109-1001F20 (20PPI)
: 109-1001F30 (30PPI) 109-1001F40 (40PPI)



120mm sq. type

Model : 109-1000F13 (13PPI) 109-1000F20 (20PPI)
: 109-1000F30 (30PPI) 109-1000F40 (40PPI)



80mm sq. type
109-1002M13 (13PPI)
109-1002M20 (20PPI)
109-1002M30 (30PPI)
109-1002M40 (40PPI)

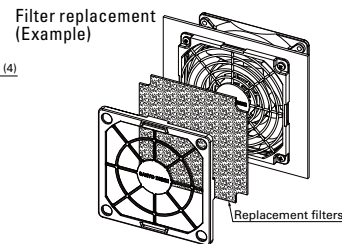
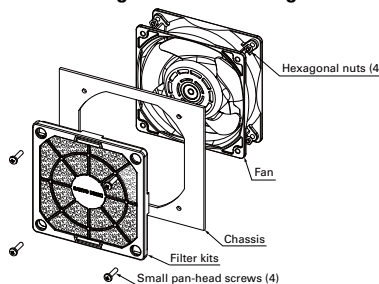
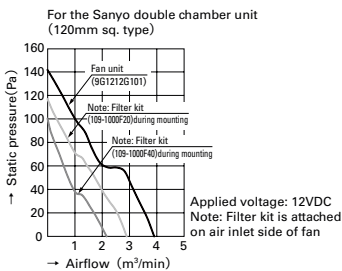
92mm sq. type
109-1001M13 (13PPI)
109-1001M20 (20PPI)
109-1001M30 (30PPI)
109-1001M40 (40PPI)

120mm sq. type
109-1000M13 (13PPI)
109-1000M20 (20PPI)
109-1000M30 (30PPI)
109-1000M40 (40PPI)

PPI Particles Per Inch : Indicates the number of holes per inch. Note that the higher the number, the finer the grain of the sponge.

Airflow and Static Pressure Characteristics

Reference Diagram For Mounting



● Replacement filters can be replaced by taking off the front part of the filter kit. There is no need to remove the screws.

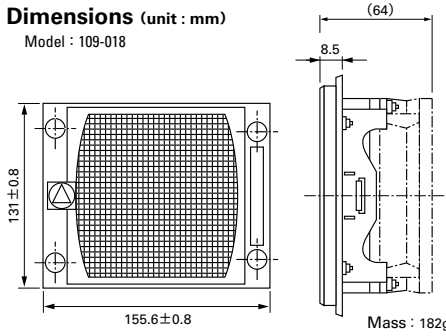
● Filter kit is one of the option to keep air in the chassis clean filtering dust in external atmosphere when pulling-air cooling is implemented. The filter kit is hooked up through mounting hole of fan frame with screw as well as finger guard. Some performances (airflow & static pressure) of the fan motor decreases when filter kit is hooked up. ● This Filter Kit is composed of 3 components, including a guard, a filter and a cover. It is delivered as a finished product at delivery, saving assembly time when mounting. It can be mounted by inserting a screw in the apertures of the cover. ● The filter and cover can be easily removed from the guard with one touch. There is no need for fan removal when undertaking maintenance. ● Operating temperature limit is between -10°C to +60°C (non condensing). ● The filter will deteriorate with age, and the level of deterioration will vary upon usage conditions. Please be aware that the filter has a greater tendency to deteriorate under high temperature and humidity. For long-term storage, please store under the temperature range of 10°C to 30°C, humidity range of 20% to 65%. Usage and storage period is approximately 2 years. ● Cooling ability decreases with filter contamination due to clogging. Filter replacement is recommended approximately every six months of usage. Please replace the filter if deterioration or clogging is seen at inspection. ● When replacing the filter, please use genuine SANYO DENKI filters. ● Do not water-wash the filter. ● Avoid use and storage under high temperature or humidity, direct sunlight or exposure to ultraviolet light, or in corrosive gas. ● No nuts or screws for use in attachment included.

Applicable models : AC Fan 120×120×38mm

Neither filter kit nor screen kit can be installed on ACDC fans and AC fans with sensor.
Please evaluate it by assembly filter kits on the device.

Dimensions (unit : mm)

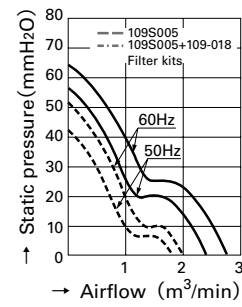
Model : 109-018



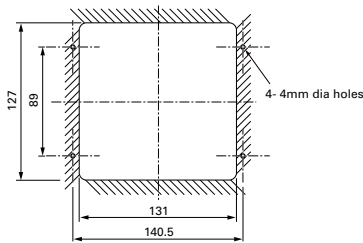
Material
Steel Wire Mesh : Stainless 16-mesh nets in 3 layers
Cover : Resin
Metal fittings : Steel (chromate-plated)
Mass : 182g

Airflow - Static Pressure Characteristics

(by SANYO airflow chamber)

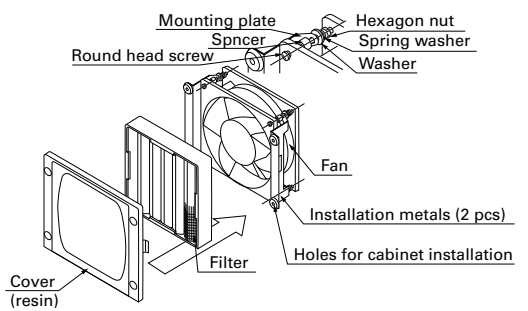


Reference Dimensions Of Mounting Holes (unit : mm)



The parts shown in the installation diagram (nuts, washers, and screws) are included.

Mounting Example

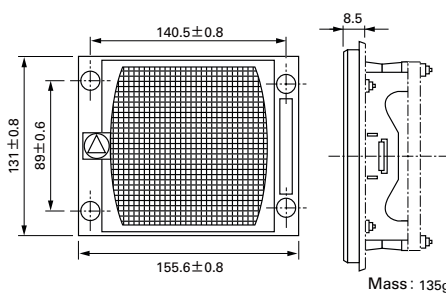


Applicable models : AC Fan 120×120×38mm

Neither filter kit nor screen kit can be installed on ACDC fans and AC fans with sensor.

Dimensions (unit : mm)

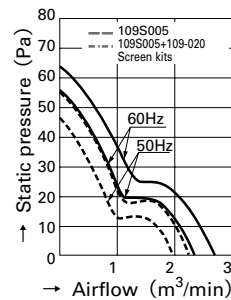
Model : 109-020



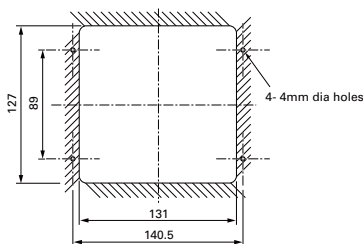
Material
Steel Wire Mesh : Stainless 16-mesh nets in 1 layers
Cover : Resin
Metal fittings : Steel (chromate-plated)
Mass : 135g

Airflow - Static Pressure Characteristics

(by SANYO airflow chamber)

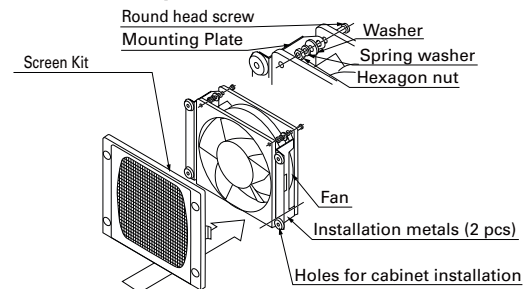


Reference Dimensions Of Mounting Holes (unit : mm)



The parts shown in the installation diagram (nuts, washers, and screws) are included.

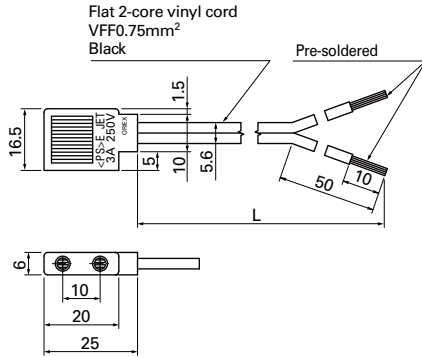
Mounting Example



Products Compliant with Electrical Appliance and Material Safety Law (unit : mm)

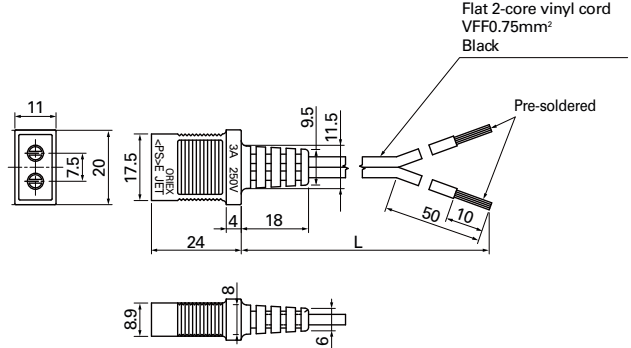
For 80×80×42mm

Model	Power cord length (L) [mm]	Mass [g]
489-008-L10	1,000	30
489-008-L21	2,100	61
489-008-L35	3,500	99



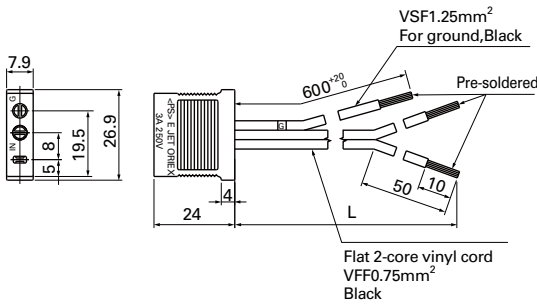
For 80×80×25mm 80×80×38mm 92×92×25mm 120×120×25mm

Model	Power cord length (L) [mm]	Mass [g]
489-016-L10	1,000	34
489-016-L21	2,100	64



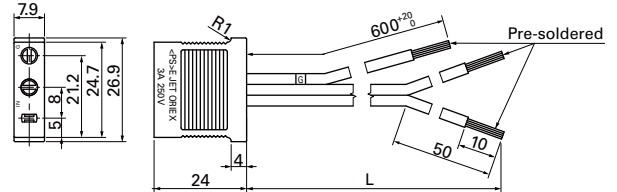
For 120×120×38mm (not including AC/DC fan)

Model	Power cord length (L) [mm]	Mass [g]
489-006-L10	1,000	47
489-006-L21	2,100	76
489-006-L35	3,500	114



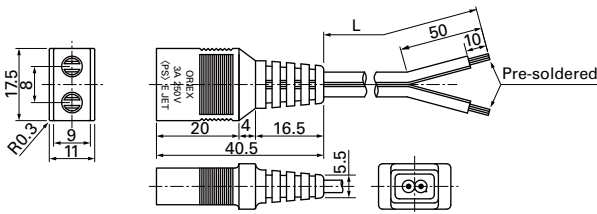
For 120×120×38mm (not including AC/DC fan)

Model	Power cord length (L) [mm]	Mass [g]
489-037-L10	1,000	46
489-037-L21	2,100	76
489-037-L35	3,500	114



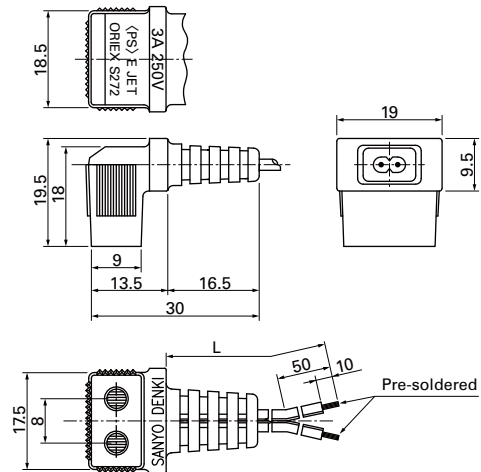
For 160×160×51mm

Model	Power cord length (L) [mm]	Mass [g]
489-1618-L10	1,000	34
489-1618-L21	2,100	63
489-1618-L28	2,800	83



For φ172mm×51mm φ172×150×51mm 160×160×51mm

Model	Power cord length (L) [mm]	Mass [g]
489-1619-L10	1,000	34
489-1619-L21	2,100	64

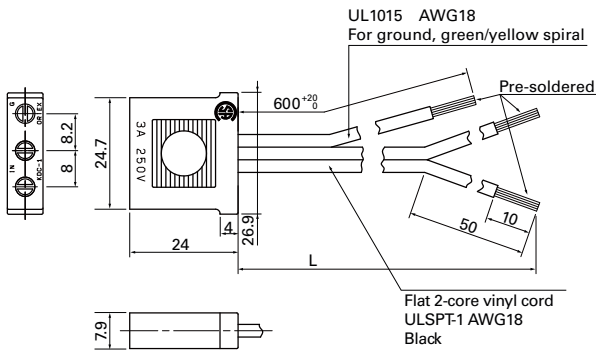


●Be careful not to damage the plug/cord when taking them out of the package.

UL/CSA Certified (unit : mm) **UL FILE No.: E50197** **CSA FILE No.: LR67048**

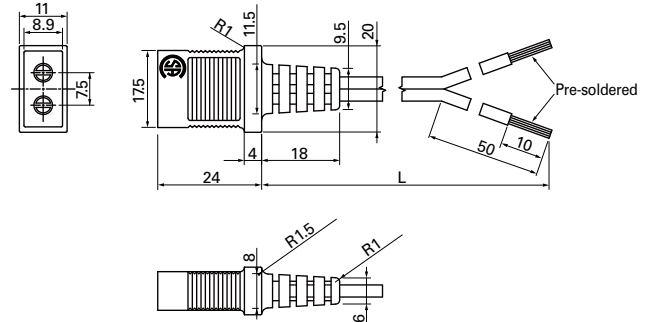
For 120×120×38mm (not including AC/DC fan)

Model	Power cord length (L) [mm]	Mass [g]
489-007-L10	1,000	48
489-007-L21	2,100	80



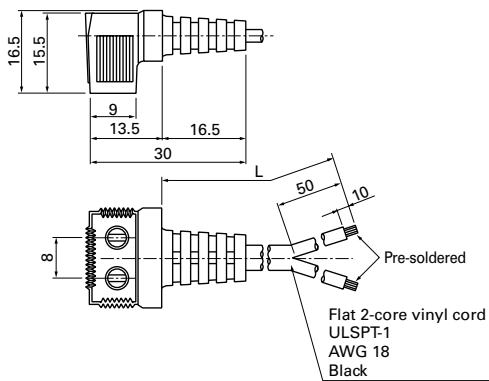
For 80×80×25mm 80×80×38mm 92×92×25mm
120×120×25mm

Model	Power cord length (L) [mm]	Mass [g]
489-047-L10	1,000	38
489-047-L21	2,100	71



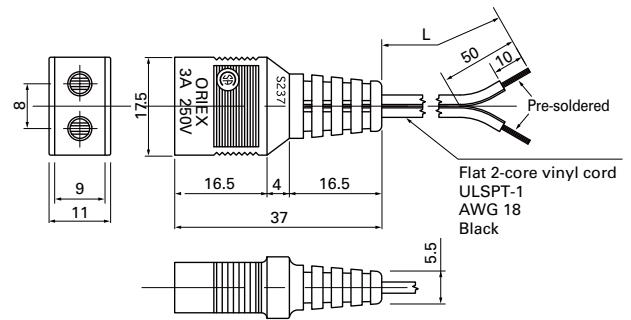
For φ172mm×51mm φ172×150×51mm 160×160×51mm

Model	Power cord length (L) [mm]	Mass [g]
489-084-L10	1,000	37
489-084-L21	2,100	70



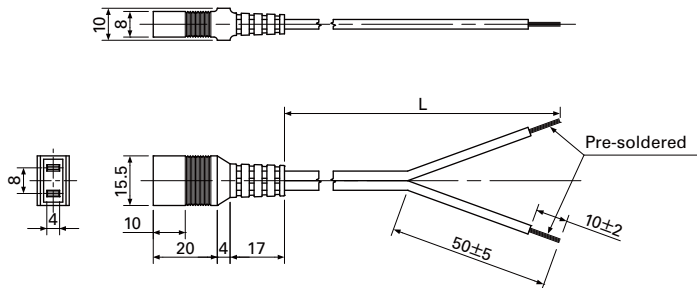
For 160×160×51mm

Model	Power cord length (L) [mm]	Mass [g]
489-086-L10	1,000	37
489-086-L21	2,100	70



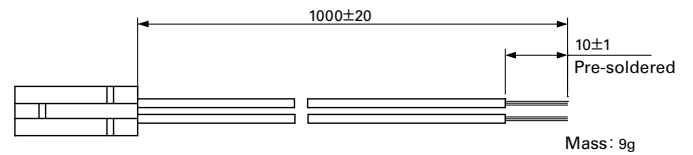
Products compliant with Electrical Appliance and Material Safety Law, UL/CSA [c-UL] Certified (unit : mm)
UL FILE No.E43202

Model	Power cord length (L) [mm]	Mass [g]
489-1635-L10	1,000	38
489-1635-L21	2,100	74



Wiring Harness for Sensor

Model: 489-1636



● Be careful not to damage the plug/cord when taking them out of the package.

Recommended connectors for DC fans

DC

Manufacturer	2 pins Housing model number	3 pins Housing model number	4 pins Housing model number	Contact model number
MOLEX	22-01-1022:P/N 5051-02	22-01-1032:P/N 5051-03 22-01-3037:P/N 2695-03RP	22-01-1042:P/N 5051-04	08-70-0064:P/N 5159T
				08-70-0048:P/N 5159PBT
				39-00-0372:P/N 2759T
	43025-0200	—	43025-0400	43030-0001
	51191-0200	51191-0300	51191-0400	43030-0002
50-37-5023:P/N 5264-02	50-37-5033:P/N 5264-03	50-37-5043:P/N 5264-04	43030-0003	
39-01-2020:P/N 5557-02R	—	39-01-2040:P/N 5557-04R	50802-9001	
Tyco Electronics	171822-2	171822-3	171822-4	08-70-1039:P/N 5263PBT
	179228-2	179228-3	179228-4	39-00-0059:P/N 5556PBT
Hirose	DF1B-2EP-2.5RC	DF1B-3EP-2.5RC	—	39-00-0038:P/N 5556T
	DF3-2EP-2C	DF3-3EP-2C	DF3-4EP-2C	170262-1
	DF3AA-2EP-2C	DF3AA-3EP-2C	DF3AA-4EP-2C	179227-1
Japan Solderless Terminals	EHR-2	EHR-3	EHR-4	DF1B-2428PCF
	SMP-02V-BC	SMP-03V-BC	SMP-04V-BC	DF3-EP2428PCF
	SMP-02V-NC	SMP-03V-NC	—	
	H2P-SHF-AA	H3P-SHF-AA	—	SEH-001T-P0.6
	PHR-2	PHR-3	PHR-4	SHF-001T-0.8BS
	XAP-02V-1	XAP-03V-1	XAP-04V-1	
	XMP-02V	XMP-03V	—	SPH-002T-P0.5S
	XHP-2	XHP-3	XHP-4	SXA-001T-P0.6
	SMR-02V-B	SMR-03V-B	SMR-04V-B	
	SMR-02V-N	SMR-03V-N	SMR-04V-N	SXH-001GU-P0.6
			SXH-001T-P0.6	
			SYM-001T-P0.6	

Recommended tubes and cable ties for DC fan

DC

	Manufacturer	Representative model numbers	Specifications	UL File No.
PVC tube	YAMAICHI CHEMICAL	YET-300H	105°C 300V VW-1	E55011
	IWASE KAGAKU KOGYO	AH-3		E56036
Thermal contraction tube	SUMITOMO ELECTRIC	SUMITUBE® F2 (Z)	125°C 600V VW-1	E48762
	SUMI-PAC	SUMITUBE® F32		
Cable tie	THOMAS & BETTS	TY-23M	UL94V-2	E49405
	PANDUIT	BT1M		E56854
	HellermannTyton	T18R		E64962

Note : The specifications in this table are for reference purposes only. When selecting, please check catalogs of each brand.

Overview and Characteristics of Fan

Overview DC AC

A cooling fan is widely used to extend life of your system by cooling off heat of the system that many electrical components are mounted in a very high density and dissipating heat. Since we SANYO DENKI developed "San Ace" which is the first AC fan in Japan in 1965, we have increased fan motor lineup until now meeting customer's needs rapidly based on our tremendous career. We SANYO DENKI will continue to develop new fans with high airflow, low noise, low vibration, and energy-saving design.

Characteristics DC AC

We can roughly divide fan into two types which are AC and DC.

AC Fans

SANYO DENKI succeeded in the mass-production of AC fans in 1965. SANYO DENKI was the first Japanese manufacturer to have succeeded at this.

- High performance
- High reliability
- Safety

DC Fans

SANYO DENKI succeeded in the mass-production of DC fans in 1982.

- High performance
- Low power consumption
- Low vibration
- Low leakage of flux
- High reliability

SANYO DENKI currently has a wider variety of products like Long Life Fan, CPU cooler, Splash Proof Fan, and Oil Proof Fan etc to meet all customer needs.

Guideline in Selecting a Fan

How to select an appropriate fan DC AC

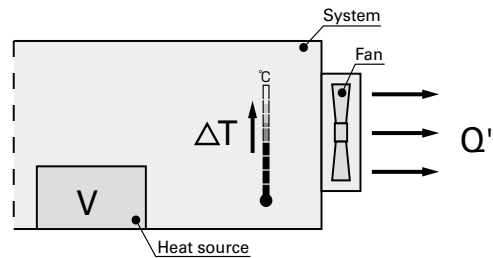
The following example is a guideline regarding how to select an appropriate fan for cooling your system

1. Determining of your system specifications and conditions

Determine the temperature rise inside your system and obtain the total heating value inside your system on the basis of its inputs and outputs.

Example

- V : Total heating value of your system (W) =100 (W)
- ΔT : Inside temperature rise (K) =15 (K)



2. Calculating the required airflow for cooling

After the equipment specifications and conditions of your system have been determined, calculate required airflow to meet the conditions. (Note that the formula shown below only applies when the heat radiation is performed only by cooling air from the fan.)

Example

Q': Motion airflow (m³/min)

$$Q' = \frac{V}{20\Delta T} = \frac{100 (W)}{20 \times 15 (K)} \approx 0.33 (m^3/min)$$

3. Selecting the fan

After the motion airflow has been calculated, select an appropriate fan motor based on the value. The motion airflow when the fan motor is actually mounted in your system can be obtained using the airflow-static pressure characteristics curve and system impedance. However, the system impedance cannot be measured without a measuring equipment, so fan with 1.5 to 2 times higher airflow than the actual max airflow should be selected (operating airflow is one-third to two-thirds of maximum airflow).

Example

Q: Maximum airflow (m³/min)

$$Q' = Q \times 2/3$$

$$Q = Q' \times 3/2 = 0.33 \times 3/2 \approx 0.5 (m^3/min)$$

Next, In case that you select a fan having an airflow of 0.5 (m³/min) or more and a appropriate size for the space inside your system.

For example, If you need a fan of 60mm square, 25mm thickness and 12V, you should select is 109R0612H402 (maximum airflow = 0.53m³/min).

4. Confirming the selected fan

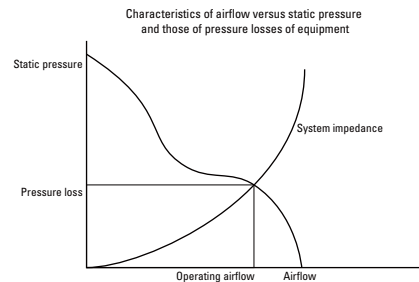
Calculate the temperature rise inside your sysetem when your sysetem having 100 (W) of total heating value is forcefully cooled down by a 109R0612H402 fan.

Example

$$Q' = Q \times 2/3 = 0.53 \times 2/3 \approx 0.353 (m^3/min)$$

$$\Delta T = V / 20Q' = 100 (W) / 20 \times 0.353 (m^3/min) \approx 14.2 (K)$$

From the above, the temperature rise inside your system is calculated as 14.2 (K).

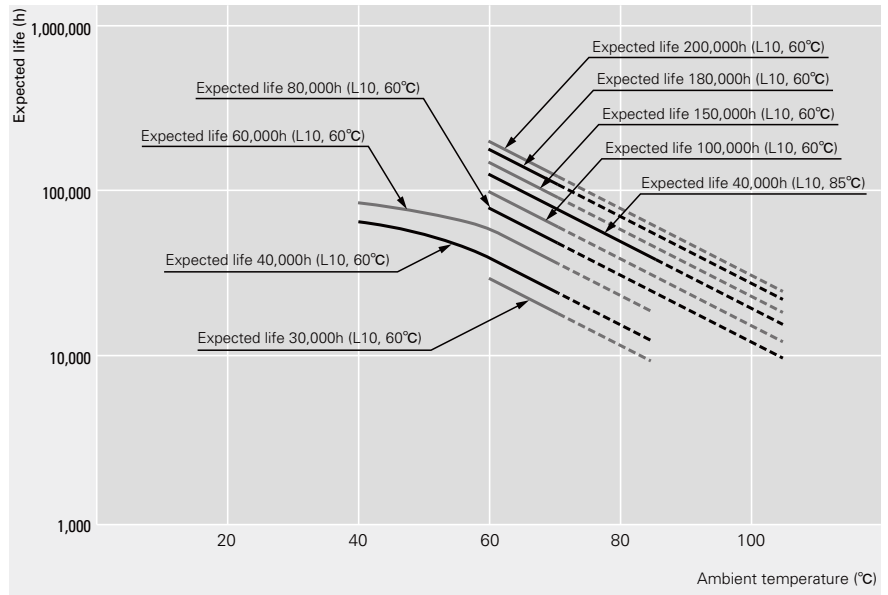


Since the value obtained from the above equation is only a rough target, final fan selection should be based on your actual installation test.

Characteristics Calculation Method and Description

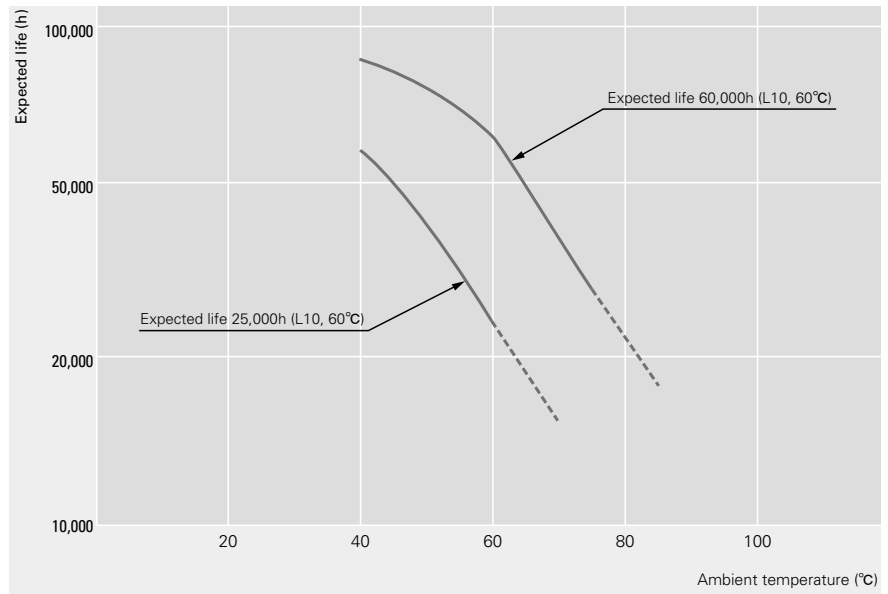
A cooling fan generally cools itself as well. The temperature rise of the motor is relatively low and the temperature rise of the grease in the bearings is also low, so expected life is longer than general some either motors. Since the service life of bearings is a theoretical value that applies when they are ideally lubricated, the life of lubricant can be regarded as expected life of the fan. DC fan consumes less power and its temperature rise of bearing is very low. When the measurement conditions are: L10 (the remaining product life in the lifespan test is 90%), with an atmospheric temperature of 60 degrees, at the rated voltage, and continuously run in a free air state. The table below indicates the relationship between ambient temperature and expected life estimated on the basis of our life tests and same other tests conducted by SANYO DENKI.

Expected life of DC Fans



Rated voltage, continuously run in a free air state, survival rate of 90%

Expected life of AC Fans

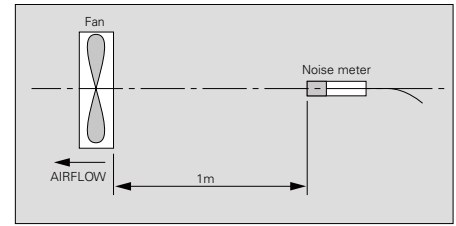


Rated voltage, continuously run in a free air state, survival rate of 90%

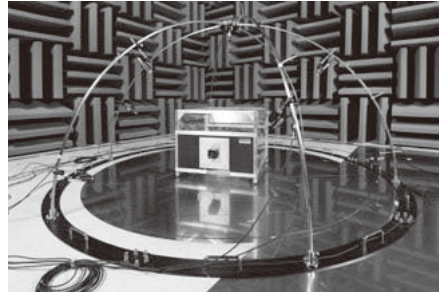
Noise characteristics

DC AC

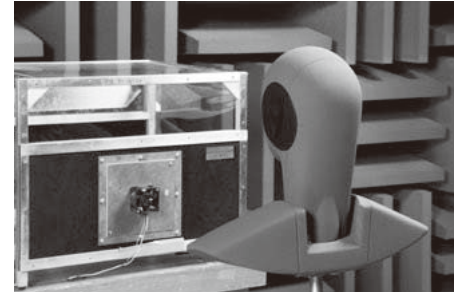
Noise is average value that measured at 1 meter away from air intake side of fan that is suspended on special frame in anechoic chamber (as per JIS B 8346).



Acoustic radio wave anechoic chamber



Noise characteristic measurement equipment

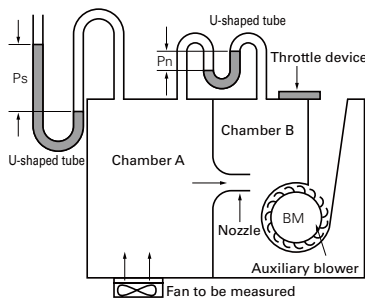


Measuring airflow and static pressure

DC AC

It is very difficult to measure airflow and static pressure. In fact, the performance curve may vary greatly according to the type of measuring equipment.

The commonly-used type of measuring equipment is a wind tunnel using a Pitot tube. SANYO DENKI uses a very precise method using double chamber equipped with many nozzles.



Double chamber measuring equipment

$$Q = 60A\bar{v} \text{ (A)}$$

where

$$Q = \text{airflow (m}^3\text{/min)}$$

$$A = \text{cross sectional area of nozzle} = \frac{\pi}{4}D^2 \text{ (m}^2\text{)}$$

$$D = \text{nozzle diameter}$$

$$\bar{v} = \text{average airflow velocity of nozzle} = \sqrt{2g \frac{P_n}{\gamma}} \text{ (m/s)}$$

$$\gamma = \text{Specific weight of air} = \rho g \text{ (N/m}^3\text{)}$$

(Air density $\rho = 1.2 \text{ kg/m}^3$ at 20°C , 1 atm)

$$g = \text{acceleration of gravity} = 9.8 \text{ (m/s}^2\text{)}$$

$$P_n = \text{differential pressure (Pa)}$$

$$P_s = \text{static pressure (Pa)}$$

The measuring equipment using double chamber is method to be calculated from airflow goes through nozzle and differential pressure between pressure of inside of chamber (P_s) and atmospheric pressure by measuring differential pressure between air intake and exhaust of nozzle (P_n).

Conversion table

DC AC

Static pressure

$$1\text{mm H}_2\text{O} = 0.0394\text{inch H}_2\text{O}$$

$$1\text{mm H}_2\text{O} = 9.8\text{Pa (Pascal)}$$

$$1\text{inch H}_2\text{O} = 25.4\text{mm H}_2\text{O}$$

$$1\text{Pa} = 0.102\text{mm H}_2\text{O}$$

$$1\text{inch H}_2\text{O} = 249\text{Pa}$$

Airflow

$$1\text{m}^3\text{/min} = 35.31\text{ft}^3\text{/min (CFM)}$$

$$1\text{CFM} = 0.0283\text{m}^3\text{/min}$$

$$1\text{m}^3\text{/min} = 16.67 \ell /\text{s}$$

$$1\text{CFM} = 0.472 \ell /\text{s}$$

$$1 \ell /\text{s} = 0.06\text{m}^3\text{/min}$$

Splash Proof Fan

Ingress protection ratings (IP code)

DC

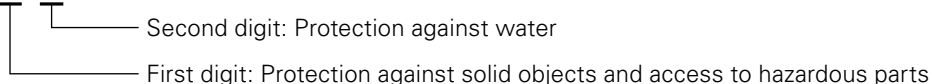
- IP Codes used by SANYO DENKI express the level of protection that internal electrical components (for fans: electrical components and motor coils) have against solid objects, water, and access to hazardous parts. San Ace Splash Proof fans feature high protection levels.



Protected electrical components and motor coils

- Definition of Ingress Protection (IP Code)
Ingress Protection (IP Code) is defined in IEC (International Electrotechnical Commission) 60529*
DEGREES OF PROTECTION PROVIDED BY ENCLOSURES (IP Code). *IEC 60529:2001

I P X X



First digit	Definition
0	No protection
1	Protection against solid objects > 50 mm
2	Protection against solid objects > 12.5 mm
3	Protection against solid objects > 2.5 mm
4	Protection against solid objects > 1 mm
5	Protection against a level of dust that could hinder operation or impair safety
6	Complete protection against dust

Second digit	Definition
0	No protection
1	Protection against dripping water
2	Protection against water spray up to 15°
3	Protection against spraying water
4	Protection against splashing water
5	Protection against low pressure water jets
6	Protection against high pressure water jets
7	Protection against temporary immersion in water
8	Protection against submersion in water

UPS, inverter, rectifier, high-voltage power supply, etc.

Cautions for Use of a Cooling Fan in the Vicinity of a Power Switching Circuit (prevention of electrolytic corrosion)

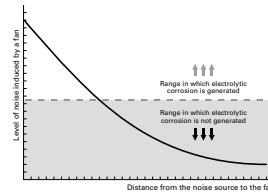
If a fan is installed near a large-power or high-voltage switching circuit, the heavy electromagnetic noise resulting from electromagnetic induction in such circuits or the influence of high-frequency noise imposed through the power line of the fan may induce current through the shaft bearing of the fan. Such current may damage the oil film on the bearing and even the friction surface of the bearing. This adverse effect is known as "electrolytic corrosion of the fan." Electrolytic corrosion affects the smooth revolution of the fan and may reduce its service life. An audible symptom is unusual noise emitted from the fan. This adverse effect is often observed and may partly be explained by the practice of mounting high-density parts, which reduces the gap between the switching circuits and the fan and the use of higher switching frequencies apt to provoke induction. Data processing/communications devices that operate at low voltages are not liable to electrolytic corrosion since they generate less electromagnetic noise.

A Case of electrolytic corrosion DC AC

Fans without anti-corrosion features installed near components that generate electromagnetic noise, such as inverter controllers, are liable to experience electrolytic corrosion.

No.	Use	Period until the occurrence of unusual noise
1	Switching power supply	6 months to 2 years
2	UPS	6 months to 2 years
3	General-purpose inverter	1 to 1.5 years
4	Air cleaner	2 to 3 months
5	Inverter for LCDs	6 months

The curve shown in the graph below represents the relationship between the level of the electromagnetic noise induced by a fan and the distance from the fan to the noise source.

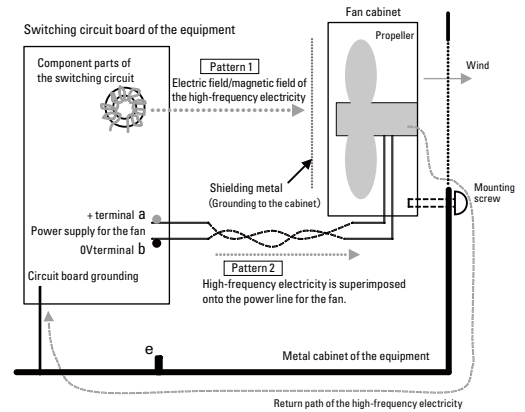


Occurrence of electrolytic corrosion Pattern 1

- (1)The fan gets charged with high-frequency electricity by high-frequency noise (electric field/magnetic field) generated in the switching circuit.
- (2)Because of high-frequency electricity charged in the fan, an electric current flows through the bearing of the fan.
- (3)The electric current breaks the oil membrane on the surface of the bearing and the bearing gets abraded (electrolytically corroded).
- (4)This symptom often occurs in equipment in which switching circuits are sped up and implemented in high density.
- (5)Countermeasure 1: To provide a shield plate^(Note 1) inside the fan (The plate should be such that does not interfere with airflow).
- (6)Countermeasure 2: To use a fan with ceramic bearings.

Occurrence of electrolytic corrosion Pattern 2

- (1)High-frequency electricity flows from the circuit board into the inside of the fan superimposed with the power line for the fan.
- (2)High-frequency electricity that has entered into the fan flows through the bearing.
- (3)Oil membrane on the surface of the bearing gets broken and the bearing gets abraded (electrolytically corroded).
- (4)Countermeasure 1: To remove high-frequency component between terminals "a" and "b", "a" and "e" and "b" and "e" of the power supply for the fan, or to insert a filter^(Note 2) into the power line for the fan.
- (5)Countermeasure 2: To use a fan with ceramic bearings
- (6)Cables should be twisted in order to decrease induction to the power line for the fan.



Note 1 : Shielding metal plate
 As an electromagnetic shield metal, "EMC Guard" is available from our company. <http://www.sanyodenki.co.jp/product/newfan/indexf.html>
 Certain shielding effect can be expected from mounting a general-purpose finger guard inside the fan. In each case, grounding to the cabinet is required.

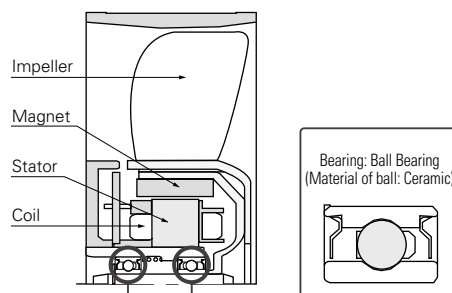
Note 2 : Filter
 Insert a common mode filter when the high-frequency electricity is superimposed on both lines "a" and "b" in the same phase and, if not, insert a normal mode filter.

Measures against electrolytic corrosion DC AC

- Relocate fans far from all electromagnetic noise sources.
- Attach an EMC guard to ordinary fans. This should have an effect on electromagnetic noise due to radiation.
- As a power supply, the fan is wired from a circuit for which noise is not superimposed.
- Against heavy electromagnetic noise (electromagnetic induction) and conductive noise from the power supply line for a fan, we recommend the use of an "Electrolytic corrosion proof fan" with ceramic bearing.

This cooling fan prevents electrolytic corrosion of bearings even under conditions where electromagnetic noise is generated. Electrolytic corrosion of ball bearings is prevented by using ceramic balls in ball bearings. The ceramic material is an insulating material. Manufacturable to meet specifications of all San Ace series fans.

Component Diagram



Caution

Electrolytic Corrosion Proof Fan has been designed to prevent the electrolytic corrosion of ball bearings in the fan, but this does not guarantee that the fan will operate normally under conditions where there is strong electromagnetic noise. Please be sure to fully evaluate the value of fan malfunction due to noise in advance.

Specifications for DC Fan Sensors

Pulse sensor (Tach output type) example DC

Pulse sensor outputs two pulse waves per revolution of fan, and it is good to detect fan speed. Pulse sensors can be incorporated in all kinds of DC fans.

* Noise from inside the fan or from external devices may effect sensor output.
Contact us for more information.

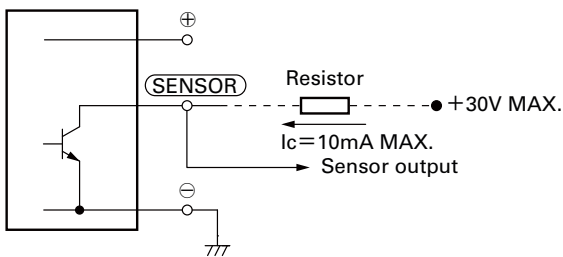
The specifications listed below are for the 9G1212H101 model, and vary with the model number used. Please contact your point of sale for details.

Output circuit
Open collector

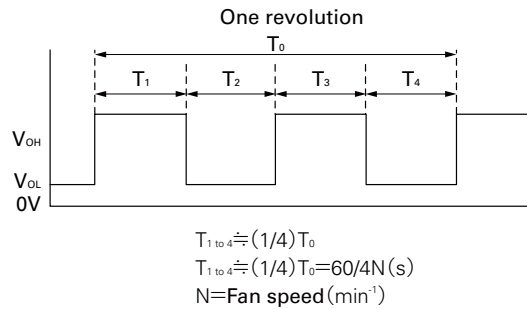
Specifications

$V_{CE} = +30V$ MAX.
(For a 48V-rated fan: $V_{CE} = +60V$ MAX.)
 $I_c = 10mA$ MAX. [$V_{OL} = V_{CE} (SAT) = 0.4V$ or less]

Inside of DC fan



Output waveform (Need pull-up resistor)
In case of steady running



* If you want detailed specifications that apply when the rotor is locked, please contact SANYO DENKI.

Locked rotor sensor (rotation/lock detection type) example DC

Locked rotor sensor outputs fan status signals. It is good to check whether the fan is running or locked

- * Noise from inside the fan or from external devices may effect sensor output.
- * Regarding details of the reverse logic and specifications of lock sensor output signals, please contact SANYO DENKI.
- * Lock sensor can not be used in some models. Contact us for more information.

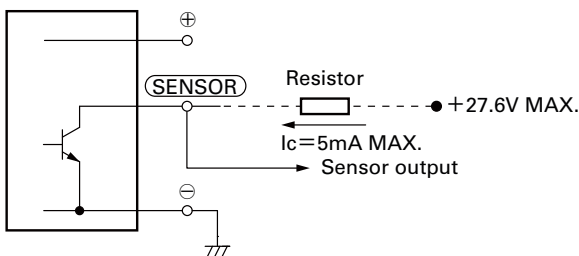
The specifications listed below are for the 9G1212H1D01 model, and vary with the model number used. Please contact your point of sale for details.

Output circuit
Open collector

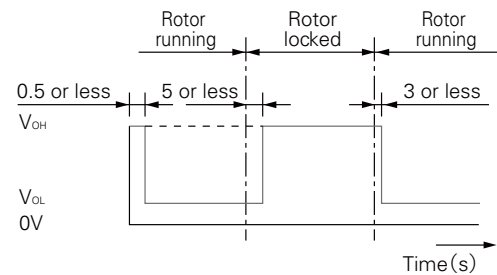
Specifications

$V_{CE} = +27.6V$ MAX.
For a 48V fan $V_{CE} = +60V$ MAX.
 $I_c = 5mA$ MAX. [$V_{OL} = V_{CE} (SAT) = 0.6V$ or less]
For a 48V fan: $V_{CE} (SAT) = 0.4V$ or less

Inside of DC fan



Output waveform (Need pull-up resistor)



Note: The output is completely at V_{OL} with 0.5s or less after power-up.

Low-speed sensor outputs a signal when fan speed goes down to trip point or less. It is good to detect cooling degradation of fan.

- *Noise from inside the fan or from external devices may effect sensor output, please.
- *If you want detailed specification and reverse signal output, please contact SANYO DENKI.
- *Low-speed sensors can not be used in some models. Contact us for more information.

The specifications listed below are for the 9G1212H1H01 model, and vary with the model number used. Please contact your point of sale for details.

Output circuit

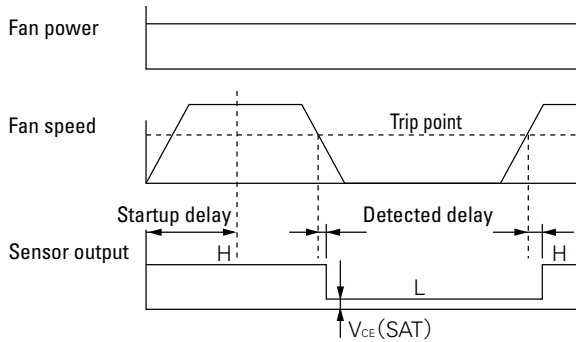
Open collector

Specifications

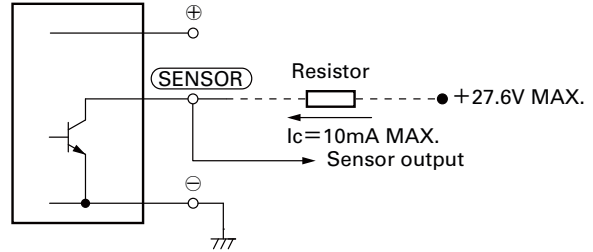
$V_{CE} = 27.6V$ MAX.
 $I_c = 10mA$ MAX. [$V_{OL} = V_{CE} (SAT) = 0.5V$ or less]

Sensor scheme

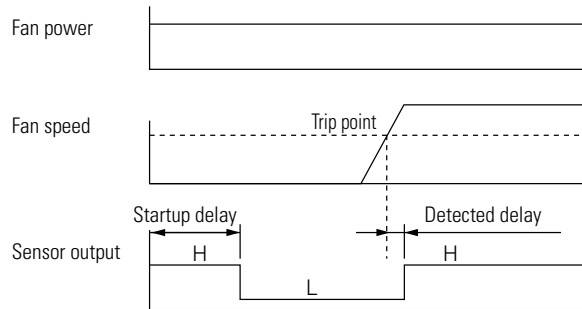
Example 1: In case steady running



Inside of DC fan



Example 2: In case that the rotor is locked when the fan motor is turned on and released after the start-up delay time.



Specifications for AC Fan Sensor

ACDC fan sensor specifications differ from those below. Please refer to each product page.

Specifications of sensor circuit

	5V (ITEM-20*)	12V (ITEM-30*)
Example of model.no	109S405UL	
System	Speed detection, Auto-restart, Open collector	
Power supply	DC5V±10% At 5V, 6mA	DC12V±20% At 12V, 10mA
Recommend sensor circuit output	At $V_p = 5V, I = 100mA$ MAX.	
Trip point	Standard speed : 1,700min ⁻¹ ±10% Low speed : 850min ⁻¹ ±10%	
Response speed	Standard speed : Startup delay 18s Detection delay 1s Low speed : Startup delay 36s Detection delay 2s	
Insulation resistance	10 MΩ MIN. at a 500V DC megger (Note)	
Dielectric strength	50/60 Hz, 1,000V AC, 1 minute (Note)	
Ambient conditions	Temperature: -10 to +60°C, humidity: 90%RH MAX. (at 40°C)	

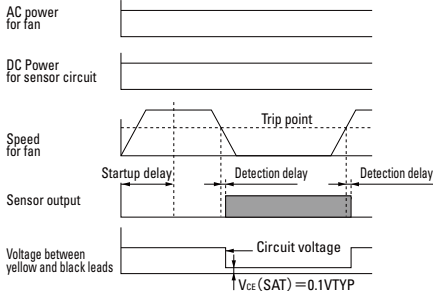


*[ITEM-20] and [ITEM-30] are printed on the fan nameplate.

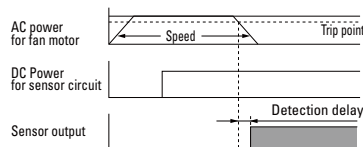
Note: Between one end that all sensor leads consisting of brown, yellow and black are tied together and the G terminal or power terminal of the fan.

Sensor scheme

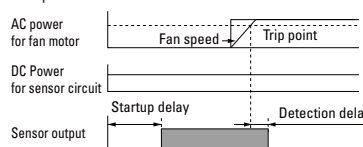
Example 1: When the AC power for the fan and the DC power for the sensor are turned on at the same time



Example 2: When the AC power for the fan is turned on first, then the DC power for sensor is powered on

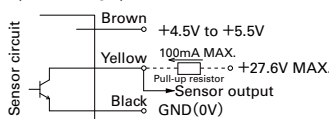


Example 3: When the DC power for sensor is first powered on, then the AC power for the fan is turned on

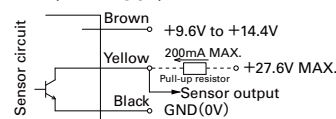


Sensor output circuit

5V (ITEM-20*)



12V (ITEM-30*)



GND (Black) should be shared in case that power supply for sensor circuit (Brown) and that for sensor pull-up (Yellow) are separated.

Fans with PWM Control Function

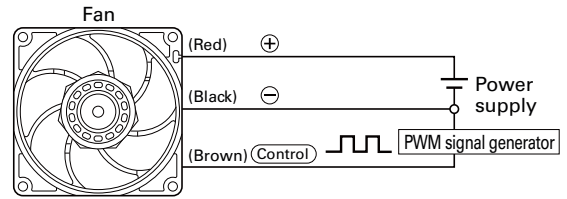
PWM control function DC

1. Overview

Pulse Width Modulation (PWM) control function enables you to externally control the speed of the fan by varying the duty cycles of PWM input signals between control and grounding terminals. It allows fans to operate optimally in response to the device's heat level, lowering the noise and power consumption of the system.

PWM control function has the following advantages:

- (1) Because the PWM signal is digitally input, precise control is possible.
- (2) Because the PWM signal is digitally input, multiple fans can be controlled.
- (3) Upon users request, how the fan speed responds to PWM signals can be customized. For example, fan can be set to stop or run at low speed at 0% PWM duty cycle.



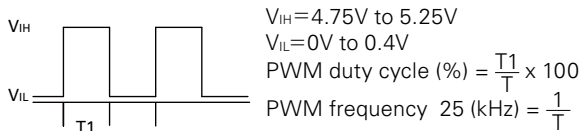
2. PWM duty input signals and wiring diagram

Other than a TTL input, an open collector/drain input can be used for PWM signal input.

Be noted that if an open collector/drain input is used or applied an input voltage and frequency is out of specified range, how the fan speed responds to the PWM duty cycle may be altered.

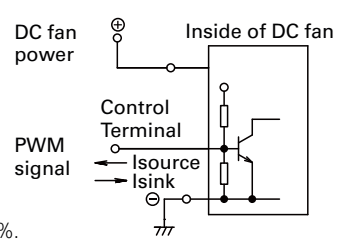
The input signal voltage and the frequency differ with models. Please contact us for details.

Example of input signal (TTL input)



Current source (I_{source}) = 1 mA max. (when control voltage is 0 V)
 Current sink (I_{sink}) = 1 mA max. (when control voltage is 5.25 V)
 Control terminal voltage = 5.25 V max. (when control terminal is open)
 When the control terminal is open, fan speed is the same as when PWM duty cycle is 100%.

Wiring example

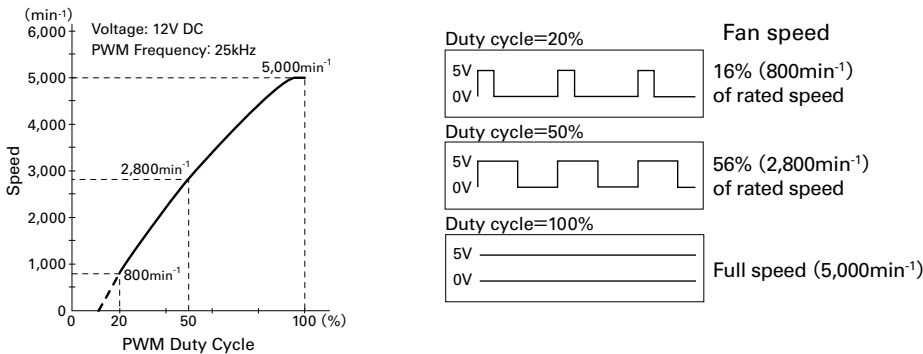


3. PWM duty cycle – Speed characteristics

Fan speed of PWM control fans change, as the below performance curve shows, in response to the PWM duty cycle input.

If necessary, users can do the speed setting by themselves, making the fans operate at the optimum speed.

Also, upon user's request, how fan speed responds to a PWM signal can be customized so that the fan stops or runs at low speed for a certain PWM duty cycle input. The below performance curve is for a fan that stops at 0% PWM duty cycle. Specifications differ with models. Please contact us for details.



The dotted part of the performance curve (area below 20% PWM duty cycle in the above case) indicates the fan speed is unstable in the area.

4. When you wish to obtain a fan performance with 100 or 0% PWM duty cycle without a PWM signal generator for built-in test.

Performance at 100% PWM duty cycle: Leave the control lead wire open and no connection.

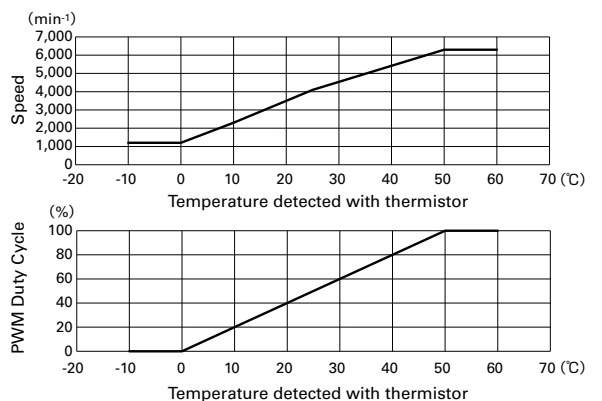
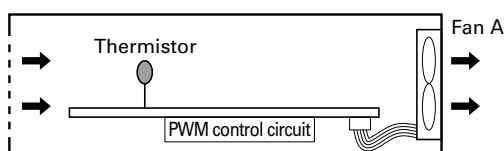
Performance at 0% PWM duty cycle: Connect the control lead wire directly to ⊖ pin.

5. Application examples of PWM control fan

Here are a few application examples of PWM control fan.

- (1) This system controls the fan speed in response to changing device temperature.

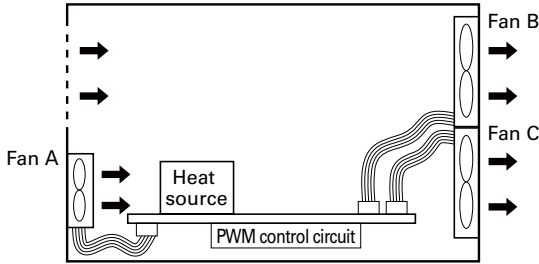
By combining a PWM control circuit and thermistor that detects temperature of device and its parts, it is able to control the fan speed of PWM control fan in response to the changing temperature.



(2) Simultaneous control of multiple fans

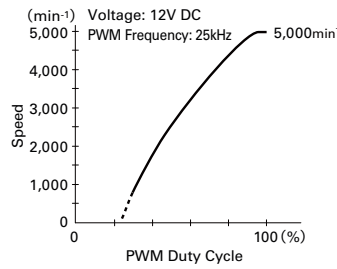
Because PWM control is done with digital signal inputs, regardless of fan types or input voltage, multiple fans can be controlled simultaneously.

Below figure shows a system that can control multiple fans with various PWM characteristics simultaneously. Such systems contribute to the low power consumption and noise.

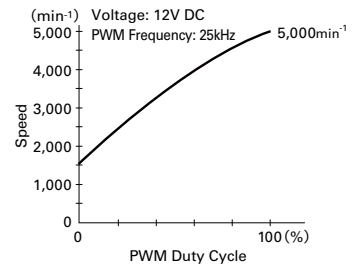


Operation mode	PWM Duty	Fan A	Fan B, C
Full-power	100%	5,000min ⁻¹	5,000min ⁻¹
Normal	60%	3,500min ⁻¹	4,000min ⁻¹
Standby (eco mode)	0%	Stop	1,500min ⁻¹

Fan A (model that stops at 0% PWM duty cycle)



Fan B, C (model that runs at low speed at 0% PWM duty cycle)



Controlling device that easily regulates the rotational speed of PWM control fans function

DC

San Ace PWM Controller

■Features

Reduces system power consumption and fan noise

For PWM fan speed control, a PWM control circuit needs to be newly designed and configured.

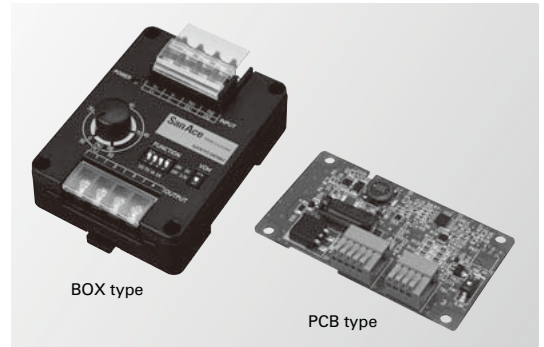
By using this product, however, PWM control function fans can be fully utilized without the need for preparing new circuits, contributing to reducing the system power consumption and the fan noise.

Can be common-powered by the fan power supply

The controller can be powered by the fan power supply of rated voltage 12, 24, and 48 VDC, and no separate supply is required.

Maximum of four fans connectable

Up to four fans with PWM control function can be connected and controlled. Please refer to page 457 for detail.



Operating Precautions DC AC

Temperature conditions

Operating temperature: Refer to the specifications table for each model.

Storage temperature: -20°C to $+70^{\circ}\text{C}$ / -30°C to $+70^{\circ}\text{C}$ (Varies for each model / Non condensing)

* Rapid change in temperature may cause condensation. Prevent condensation when storing. Condensation may affect lubrication performance and insulation.

Power specifications

For the specification of rated voltage and voltage range, please check the catalog or drawing for the model number.

Use of voltage exceeding the specified range may lead to performance degradation, device failure, or fire hazards. Do not apply voltage that exceeds specifications to the fan.

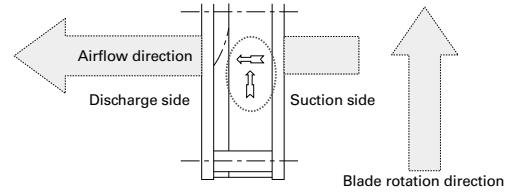
An electronic circuit is used for the DC fan. For power supply, use power with ripple less than 5% with low line noise and surge to prevent electronic circuit trouble.

Handling precautions

The fan motor is equipped with a precision ball bearing. Therefore, please handle the motors carefully in order not to shock the bearings.

Installation tips

There are no limitations on the installation direction of fans or blowers. Fans have symbols on the fan indicating the airflow direction and blade rotation direction. When installing, use these symbols to check the airflow direction.



Symbols indicating the fan airflow direction and blade rotation direction

Recommended screw torque

This shows the recommended values for the screw torque when installing the fans. If the tightening torque is higher than the recommended values, the fan can be deformed or damaged.

Use care when tightening. Also, be sure to always use a fan with a ribbed structure when securing by screws with both flanges.

DC fan

Fan mounting hole diameter [mm]	Nominal screw diameter	Recommended screw torque
$\phi 3.5$	M3	0.44N·m MAX.
$\phi 4.3, \phi 4.5$	M4	0.78N·m MAX.
$\phi 4.3, \phi 4.5$	M4	0.98N·m MAX. ($\phi 172\text{mm} \times 51\text{mm}$, $\phi 172\text{mm} \times 150\text{mm} \times 51\text{mm}$, $\phi 200 \times 70\text{mm}$)

AC fan

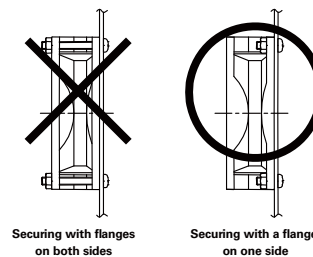
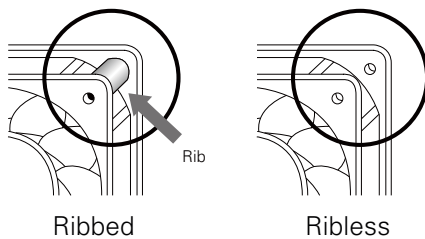
Fan mounting hole diameter [mm]	Nominal screw diameter	Recommended screw torque
$\phi 3.5, \phi 3.7$	M3	0.44N·m MAX.
$\phi 4.3$	M4	0.58N·m MAX. (120mm×120mm MAX.)
$\phi 4.3$	M4	0.78N·m MAX. (ACDC fan, $\phi 172\text{mm}$)
$\phi 5.5$	M4, M5	0.78N·m MAX. (160mm×160mm)

Comparison of ribbed and ribless structures

Regarding plastic frame, we have a option ribbed and ribless about mounting. Please use preferred type up to your application. Please use ribbed fan in case that you hook fan up clamping either side fan mounting hole target. (According to the model, only models with or without ribs are available.)

*Use a fan with a rib structure when securing by screws with both flanges.

· When securing screws to ribless plastic frame models, use a flange to secure on one side.



Fan Mounting Using Self-tapping Screw DC

Installing self-tapping screws into the plastic frame of the fan may split or deform it.

If using self-tapping screws, use screws that are recommended by our company, and refer to our recommended tightening torques and recommended pilot hole shapes. Pay close attention to the operating precautions and fully understand your equipment before you use it.

Recommended screw torques

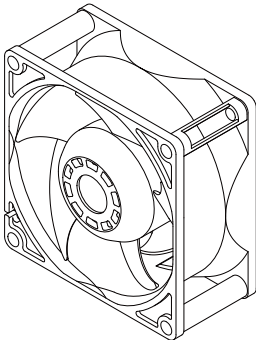


Fig. A: Ribbed fan

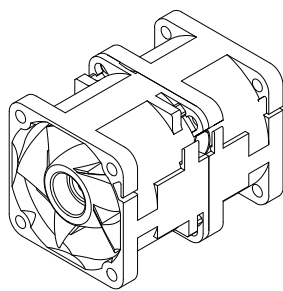


Fig. B: Counter rotating fan

	Recommended screw torque [N·m]	Fan mounting hole diameter [mm]
Ribbed fan (Fig. A)	0.8 Max.	φ3.5. φ4.3. φ4.5
Counter rotating fan (Fig. B)	0.6 Max.	

Do not use self-tapping screws in the following cases:

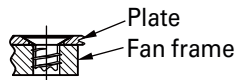
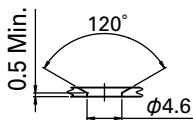
- For ribless fans (except for counter rotating fans)
- When mounting finger guards on fans

Using self-tapping screws could deform or split the frame. Please use regular screws.

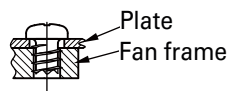
Recommended pilot hole shape

[For nominal diameter 4mm]

Self-tapping screw model No.
SY-NS020412P11



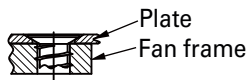
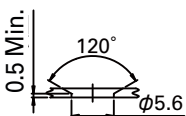
Self-tapping screw model No.
SY-NS010412P11



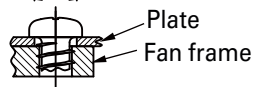
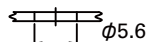
Minimum mounting plate thickness: T=1.2mm

[For nominal diameters of 4.8mm and 5mm]

Self-tapping screw model No.
SY-NS024812P15
SY-NS020512P15



Self-tapping screw model No.
SY-NS014812P15
SY-NS010512P15



Minimum mounting plate thickness: T=1.2mm

Recommended self-tapping screws

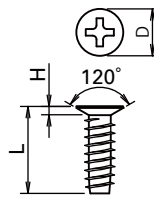
· Material: Steel

· Plating: Trivalent chromating plating

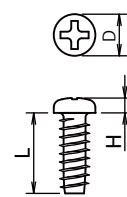
unit : mm

Fan mounting hole diameter	Self-tapping screw model No.	Nominal screw diameter	Length [L]	Head shape	Flat-head/pan-head dimensions		
					Head diameter [D]	Height of head [H]	Cross recess No.
φ3.5	SY-NS020412P11	4	12	Flat	6.2	1.1 Max.	2
	SY-NS010412P11	4	12	Pan	5.5	2.0	2
φ4.3	SY-NS024812P15	4.8	12	Flat	6.8	1.2 Max.	2
	SY-NS014812P15	4.8	12	Pan	7.0	2.6	2
φ4.5	SY-NS020512P15	5	12	Flat	6.8	1.2 Max.	2
	SY-NS010512P15	5	12	Pan	7.0	2.6	2

Head shape: Flat

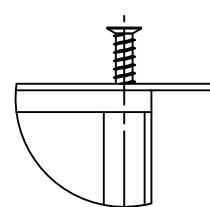


Head shape: Pan

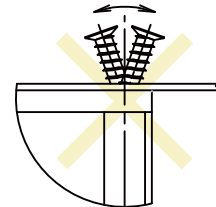


Operating precautions

- Place the self-tapping screw so that it is vertical and centered with the frame mounting hole (Fig. A) and then screw it in. The self-tapping screw could deform or split the frame if you screw it into the frame when the screw is not vertical.
- Screw in the self-tapping screw with the center of the mounting hole on the fan and the center of the pilot hole on the mounting plate aligned (Fig. B). Misaligned holes could lead to the frame being deformed or split.

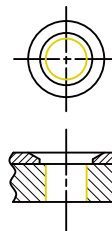


Vertically placed screw

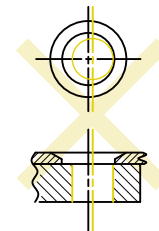


Inclined screw

Fig. A



Aligned and centered holes



Misaligned holes

Fig. B

- Tightening the screw beyond the recommended screw torque could deform or split the frame.
- With flat-head screws, failure to use the recommended pilot hole shape will cause interference between the flat-head screw and fan frame which could split the frame.

Recommended screw manufacturer

To purchase the screws, please contact the screw manufacturer directly.

SAIMA CORPORATION

2-9-17 Tsujido Fujisawa Kanagawa 251-0047 JAPAN



TEL:+81-466-36-3656 FAX:+81-466-36-0009

<http://www.saima.co.jp/English/>

Safety Precautions DC AC

- In order to ensure that this product is used safely, be sure that you read and understand the following precautions fully and use the product only as directed.
- Be sure to read these Safety Precautions carefully before installing, connecting, operating, maintaining, or inspecting this product. Follow all the precautions and directions given here.
- This product has been designed and manufactured for use as a device to be used in general industrial machinery, and may not be used as a standalone product.
- The product of our company (hereafter called the product) falls into the category of the products specified in the Attached List 1, Item 16 (Class 84, Item 14) of the Export Trade Control Ordinance. To export the product as an individual part or to export a product into which the product is assembled, the "Information Requirements" and "Objective Requirements" that the Ministry of Economy, Trade and Industry established based on the "Catchall Controls" must be studied for applicability. Based on information on applicability and specified requirements, appropriate export formalities must be performed.

In order to prevent any possible bodily injury or damage to property or equipment, the following precautions for ensuring safety are displayed according to the following two ranks of importance:

 Danger	Handling or using the product improperly and in disregard of the instructions with this mark might result in serious bodily injury or death.
 Warning	Handling or using the product improperly and in disregard of the instructions with this mark might result in bodily injury or physical damage.

※ Note: Items marked 'Warning' might also result in serious bodily injury or death in some circumstances. Always follow the instructions for items marked 'Danger'.

Descriptions of the precautions to be taken to ensure safety are given below.

Danger

- If the product is used in medical appliances or other types of equipment that affect people's lives, sufficient safety-related evaluations and preparations must be made in advance, and the product or the type of equipment into which the product is assembled must be used on the user's own responsibility.
- If the product is used in types of equipment that have a strong social and public impact, sufficient prior evaluations and safety-related evaluations and preparations must be made, and the product or the type of equipment into which the product is assembled must be used on the user's own responsibility.
- If the product is used in an environment where there are vibrations, for example, in a car or aboard a ship, sufficient prior evaluations and safety-related evaluations and preparations must be made, and the product or the piece of equipment into which the product is assembled must be used on the user's own responsibility.
- Connect all wires properly and securely. Failure to do so might result in burns, fire, or exposure to electrical shock.
- If there are any grounding taps or wires, attach all grounds securely. Failure to do so might result in exposure to electrical shock.
- Never use in explosive atmosphere, as doing so might result in fires, burns, or bodily injury.
- Never operate with any live wires exposed, as doing so might result in electrical shock.
- Never allow any persons or objects to approach or come into contact with the rotor while in operation, as doing so might result in damage or personal injury.
- Turn off the power and stop using the product immediately if you notice any sparks, smoke, odd odors, sounds, or anything unusual during operation. Failure to do so might result in fire, burns, or electrical shock.
- Never allow the product to fall, topple over, or otherwise be subjected to excessive shocks when moving it, as doing so might result in product breakdown or substandard operation.
- The product should be handled only by personnel with sufficient training and knowledge and under the responsibility of the end user.
- Never attempt to disassemble, repair, or alter this product in any way, as doing so might result in fire, burns, or electrical shock.
- Dispose of the product as industrial waste. Please contact your local government office for further details about disposal.

Warning

Handling

- Installation, placement, connections, wiring, or relocation of the product should be performed by knowledgeable or correctly licensed personnel. Never perform such work while the product is live as this might lead to injury, electrical shock, burns, or fire.
- Do not use the fan if not fixed or stand in hand.
- Never allow yourself to come into contact with the ends of wires or plugs when measuring the insulation resistance or dielectric strength voltage. This might result in electrical shock.
- Never attempt to disassemble or alter this product in any way. Doing so might invalidate any warranties concerning the functions or performance of the product, and might also result in fire, burns, bodily injury, or electrical shock.

Instruction

- If the fan stops during operation, give proper consideration to the device for its protection.
- Never use the product at voltages, temperatures, or any other settings which exceed those given in the product specifications. This might result in substandard operation, breakdown, fire, bodily injury, or electrical shock.
- The fan may fail to operate properly if there is insufficient power capacity, because the starting current is several times larger than the rated current will flow at the moment of the voltage is supplied to the fan. Be sure to inquire about startup current levels for individual models.
- Do not control the speed of the fan by power supply PWM. It may cause fan failure.
- Start up all fans at the same possible timing if two or more fans which wind interferes with each other are installed in the device.
If the fan is exposed to wind from other fans at start up, it may cause fan failure or the fan may not start up correctly.
- Never insert or remove any lead wires, plug cord or connectors while the power is turned on. When inserting or removing plugs or connections, always be sure to first check that the power has been turned off and hold the housing of the plug or connector when doing so. Failure to do so might result in damage or exposure to electrical shock.
- Do not remove the lead wire from the frame hook. It may scratch and damage the surface of the lead wire.
- Never remove the product identification plate. This might result in breakdown or electrical shock.
- Do not push the nameplate of the DC fan with strong force. The nameplate may break and touch the shaft.
- The product might become damaged if foreign objects or external forces are allowed to interfere with normal fan operation.
- Do not implement ON-OFF of power supply in negative line. That might cause damage of the fan.

Warning

Installation

- When fixing this product into place, be sure to take into consideration the product's weight, the vibrations generated during operation, and all other relevant factors. Failure to do so might cause the product or parts of it to fall out of position, resulting in bodily injury or malfunction of the product.
- Be sure to check the direction of installation (i.e., the fan), as failing to do so might result in bodily injury or mechanical breakdown.
- In order to ensure that the product operates properly, allow spaces for ventilation and take whatever steps necessary to prevent the entry of foreign objects. Failure to do so might result in bodily injury or mechanical breakdown.
- When fixing the fan with screws, make sure the screw and sheet metal do not deform the frame of the fan before operation. If the frame of the fan is deformed, mechanical failure may be occurred or specified performance may not be generated.
- When fixing the fan with screws, ensure the screwing torque. If the screwing torque is over the recommended screw torque, fan frame may be deformed or damaged. Use a plastic frame with a ribbed structure when securing by screws with both flanges. In order to prevent from loosening screw, please use plain washer and spring lock washer. For screwing torque of each fan type, contact SANYO DENKI or SANYO DENKI distributor.
- When fixing the fan with self-tapping screws, fan frame may be damaged.
- When excessive shock is attacked to fan, impeller may be protruded from the surface of fan frame. Make sure that impeller does not touch cover such as finger guard and mounting plate. Do not give excessive shock to fan to avoid fan failure and deteriorate of fan performance.
- Pulling or pinching the lead wires could result in damage to the wire, and you should avoid placing excessive stresses on these wires. The device should also be installed so that the lead wires are not allowed to come into contact with the rotor or blades. Failure to do so might result in damage or exposure to electrical shock.
- Take proper precautions against static electricity when making electrical connections. Failure to do so might cause the breakdown of the fan or device.
- Install a finger guard or other cover if there is any danger of fingers, hands or objects coming into contact with the rotor or blades. Failure to do so might result in bodily injury or mechanical breakdown.
- Install the finger guard, filter, and plate to the fan in the correct position while avoiding touching of the rotor blade. Avoiding this will prevent device failure. Please use SANYO DENKI genuine finger guards and filter kits.
- Make electrical connections properly. If not, there is a possibility that breakdown of device, malfunction, breakdown and deterioration of product might cause.

Installation of Centrifugal Fan

- The fan shall be fixed with screws. For screw size of each fan type, refer to drawing or catalog.
- Do not use the screws with length over the depth of mounting screw. Fan might not be fixed by damaging threaded hole. For depth of mounting screw of each fan type, refer to drawing or catalogue.
- When fixing the fan with screws, ensure the screwing torque. If the screwing torque is over the recommended screw torque, threaded holes may be damaged. Also, in order to prevent from loosening screw, please use plain washer and spring lock washer. For screwing torque of each fan type, contact SANYO DENKI or SANYO DENKI distributor.
- When excessive shock is given to fan, impeller may be protruded. Make sure that impeller does not touch cover such as inlet nozzle and finger guard, and mounting plate. For positional relation among the fan, inlet nozzle, and plate of each fan type, refer to drawing or catalog.
- Install the inlet nozzle, finger guard, and plate to the fan in the correct position while avoiding touching of the rotor blade. Avoiding this will prevent device failure. Please use SANYO DENKI genuine inlet nozzle.

Environment of usage

- The product must not be used or stored in a flammable or corrosive gas atmosphere, in a place where water or oil splashes (not applicable to Splash Proof or Oil Proof Fans), in a place where there is much dust or humidity, in a place where condensation occurs, in a place where the product is exposed to radioactive rays or is in direct sunlight, in a place where a salty sea breeze blows or seawater splashes, or in an environment where the product may be contaminated by such corrosive materials as sulfurous water, sulfurous volcanic ash, organic solvents, acidic chemicals, alkali chemicals, etc., such hazardous substances as nuclear fuel materials, etc. If it is used or stored in such places or environments, there is the possibility that a fire may occur, the product may malfunction or its performance may deteriorate.
- Avoid using or storing the product in locations and an environment where it could be constantly exposed to vibrations, strong shocks, centrifugal force, acceleration, magnetic or electromagnetic noise, and which the electromagnetic noise overlaps into power voltage. This might result in product breakdown or substandard operation.
- Avoid using or storing the product under environments where rapidly changed such as thermal and humidity change. This might result in product breakdown or deterioration.

Maintenance

- Maintenance and inspections should always be performed by personnel with sufficient training and knowledge. Failure to do so might result in fire, burns, bodily injury, or electrical shock.
- Never perform any maintenance or inspections while the product is in operation. Also note that the blades continue to rotate for some time immediately after operation ceases. You should always be sure to check to see that all rotating parts have come to a stop before beginning work.
- Never use gasoline, paint thinner, benzene, or any other organic solvents to clean the product as this could result in the deformation or substandard operation.

Safety Standards

List of safety standards acquired → refer to the index (pp. 495 to 517)

Description of safety standards

1. UL ratings (USA)



Underwriters Laboratories Inc. was established by the American Union of Fire Insurance Underwriters. The purpose of UL is to ensure safety of machines, equipment, and materials and protect human lives and property from fire and other accidents. To that end, UL has conducted numerous tests and extensive research and, as a result, set up UL ratings. Any seller of products in any of the majority of the states of the USA must produce their products according to the UL ratings, have them pass UL-specified safety inspections, and have them listed in UL's registration book. Therefore, to export and sell any product in the United States, one must in most cases apply for UL-listing. Additionally, UL is accredited by The Standards Council of Canada (SCC) as both a Certification Organization (CO) and a Testing Organization (TO) and is officially recognized in all provinces and territories throughout Canada. Accordingly, our products can be tested by UL for compliance with Canadian safety standards. Certified products are entitled to display the C-UL Mark, which authorizes their use and sale in Canada. If products are deemed to be compliant with both U.S. and Canadian standards, then both the UL Mark and C-UL Mark can be displayed or a combination U.S. and Canadian mark (bottom left). Our products are certified as satisfying all UL507 requirements.

2. CSA standards (Canada)



The Canadian Standards Association (CSA) was set up in response to the advice of the Canadian government. In Canada, the law prohibits the use and sale of any product other than those approved under CSA in terms of safety. CSA has set up CSA standards as inspection procedures and other requirements to ensure product safety. Our products are certified as satisfying the CSA standard C22.2 No. 113.

3. EN standards (EU members)



In the EU territory, the harmonization of industrial standards and safety standards of different countries is under way. The unified standards are called Harmonized Standards. Each of these standards is marked EN above the standard number. EN standards offer the grounds in design and manufacture when one exports a product to the EU territory. In order for a product to receive a safety marking, the product must be found to conform to TÜV, VDE, or other relevant standard. Our products are certified as satisfying all TÜV Rheinland EN60950 requirements.

4. Electrical appliance and material safety law



As of April 1, 2001, the Electrical Appliance and Material Control Law has been revised and reenacted as the Electrical Appliance and Material Safety Law. AC fans are classified as 'Blowers' under 'Electric motor-operated appliances'. They are categorized as electrical products other than specific electrical appliances (with the exception of some models) and are required to be labeled to indicate PSE certification.

5. CE marking



To distribute their equipment in the EU territory, manufacturers are obligated to give a CE marking as proof that the equipment conforms to related EU directives. Manufacturers use EN standards as criteria of judgment as to whether the equipment satisfies the requirements of specific directives or, in the absence of applicable EN standards, they use IEC standards. Manufacturers then prepare a self-declaration to indicate that the equipment conforms to related directives and apply a CE marking. (Depending on the degree of risk of the equipment, some kinds of equipment are required to receive type tests conducted by certified authorities and, after a type test certificate is obtained, manufacturers make a self-declaration.)

Scope of application and compulsory timing of major EC directives

Machine directives

These directives apply to equipment that has a moving part that may injure humans. The directives generally apply to a wide range of machine tools and other industrial machines.

EMC directives

They apply to equipment which may be affected by electromagnetic interference (EMI) or has electromagnetic susceptibility (EMS).

Low-voltage directive

This directive applies to equipment that is used in an AC range between 50 and 1,000V and in a DC range between 75 and 1,500V.

JIS: Japanese Industrial Standards

Japan's national standards related to mining and manufacturing industries

IEC: International Electrotechnical Commission

This is an international commission on electrical standardization. This commission promotes the unification and cooperation of international standards related to electric and electronics engineering and issues IEC standards in order eventually to allow different countries to conform to the international standards.

DIN: Deutsches Institut für Normung e.V.

This is a German standards institute. The institute uses a wide-range set of standards covering many industrial sectors. The set of standards includes basic standards.

VDE: Verband Deutscher Elektrotechniker e.V.

It is a German association of electric engineers. VDE establishes safety standards related to electrical engineering and issues them as DIN-VDE standards.

RoHS Directive

Since October 2012, all the products in this catalog have complied with the maximum concentration values of the hazardous substances referred to in the Annex II to EU RoHS Directive 2011/65/EU,* except for the exempted applications specified in the Annex III to the Directive.

Please note that SANYO DENKI does not use exemption 7(c)-III: Lead in dielectric ceramic in capacitors for a rated voltage of less than 125 V AC or 250 V DC, for those products.

* Lead, mercury, cadmium, hexavalent chromium, polybrominated biphenyls (PBB) and polybrominated diphenyl ethers (PBDE)

RoHS Directive:

DIRECTIVE 2011/65/EU OF THE EUROPEAN PARLIAMENT AND OF THE COUNCIL of 8 June 2011 on the restriction of the use of certain hazardous substances in electrical and electronic equipment



Index by Model No./Safety Standards List - DC Fans DC

Models listed in the main section of this catalog	List of models (models not listed in the main section of this catalog are options. Standards for optional model numbers may differ from the certified standards listed at right. Contact us for details of models with "-" model numbers.)				Frame Size	Rib	Standard (certification status is for the models listed in this catalog, and standards for optional model numbers may differ.)			page
	Without sensor	With pulse sensor	With lock sensor	With PWM control function and pulse sensor			UL (cUL)	CSA (cUL)	TÜV	
	109BC12FC7-1	109BC12FA7-1	109BC12FC7-1	109BC12FD7-1			—	52mm×15mm	—	
109BC12GC7-1	109BC12GA7-1	109BC12GC7-1	109BC12GD7-1	—	52mm×15mm	—	✓	✓	✓	393
109BC12HC7-1	109BC12HA7-1	109BC12HC7-1	109BC12HD7-1	—	52mm×15mm	—	✓	✓	✓	393
109BC12MC7-1	109BC12MA7-1	109BC12MC7-1	109BC12MD7-1	—	52mm×15mm	—	✓	✓	✓	393
109BC24FC7-1	109BC24FA7-1	109BC24FC7-1	109BC24FD7-1	—	52mm×15mm	—	✓	✓	✓	393
109BC24GC7-1	109BC24GA7-1	109BC24GC7-1	109BC24GD7-1	—	52mm×15mm	—	✓	✓	✓	393
109BC24HC7-1	109BC24HA7-1	109BC24HC7-1	109BC24HD7-1	—	52mm×15mm	—	✓	✓	✓	393
109BD12FC2	109BD12FA2	109BD12FC2	109BD12FD2	—	76mm×30mm	—	✓	✓	✓	397
109BD12HC2	109BD12HA2	109BD12HC2	109BD12HD2	109BD12P2H01	76mm×30mm	—	✓	✓	✓	397
109BD12MC2	109BD12MA2	109BD12MC2	109BD12MD2	—	76mm×30mm	—	✓	✓	✓	397
109BD24FC2	109BD24FA2	109BD24FC2	109BD24FD2	—	76mm×30mm	—	✓	✓	✓	397
109BD24HC2	109BD24HA2	109BD24HC2	109BD24HD2	—	76mm×30mm	—	✓	✓	✓	397
109BD24MC2	109BD24MA2	109BD24MC2	109BD24MD2	—	76mm×30mm	—	✓	✓	✓	397
109BG12HC1	109BG12HA1	109BG12HC1	109BG12HD1	—	160mm×40mm	—	✓	✓	✓	410
109BG12MC1	109BG12MA1	109BG12MC1	109BG12MD1	—	160mm×40mm	—	✓	✓	✓	410
109BG24HC1	109BG24HA1	109BG24HC1	109BG24HD1	—	160mm×40mm	—	✓	✓	✓	410
109BG24MC1	109BG24MA1	109BG24MC1	109BG24MD1	—	160mm×40mm	—	✓	✓	✓	410
109BJ12HC2	109BJ12HA2	109BJ12HC2	109BJ12HD2	—	127mm×32mm	—	✓	✓	✓	409
109BJ12MC2	109BJ12MA2	109BJ12MC2	109BJ12MD2	—	127mm×32mm	—	✓	✓	✓	409
109BJ24HC2	109BJ24HA2	109BJ24HC2	109BJ24HD2	—	127mm×32mm	—	✓	✓	✓	409
109BJ24MC2	109BJ24MA2	109BJ24MC2	109BJ24MD2	—	127mm×32mm	—	✓	✓	✓	409
109BM12GC2-1	109BM12GA2-1	109BM12GC2-1	109BM12GD2-1	—	97mm×33mm	—	✓	✓	✓	399
109BM12HC2-1	109BM12HA2-1	109BM12HC2-1	109BM12HD2-1	—	97mm×33mm	—	✓	✓	✓	399
109BM12MC2-1	109BM12MA2-1	109BM12MC2-1	109BM12MD2-1	109BM12P2M01	97mm×33mm	—	✓	✓	✓	399
109BM24GC2-1	109BM24GA2-1	109BM24GC2-1	109BM24GD2-1	—	97mm×33mm	—	✓	✓	✓	399
109BM24HC2-1	109BM24HA2-1	109BM24HC2-1	109BM24HD2-1	—	97mm×33mm	—	✓	✓	✓	399
109BM24MC2-1	109BM24MA2-1	109BM24MC2-1	109BM24MD2-1	—	97mm×33mm	—	✓	✓	✓	399
109E1312A101	109E1312A102	109E1312A101	109E1312A1D01	—	127×127×38mm	No	✓	✓	✓	181
109E1312S101	109E1312S102	109E1312S101	109E1312S1D01	—	127×127×38mm	No	✓	✓	✓	181
109E1324A101	109E1324A102	109E1324A101	109E1324A1D01	—	127×127×38mm	No	✓	✓	✓	181
109E1324G101	109E1324G102	109E1324G101	109E1324G1D01	—	127×127×38mm	No	✓	✓	✓	181
109E1324S101	109E1324S102	109E1324S101	109E1324S1D01	—	127×127×38mm	No	✓	✓	✓	181
109E1348A101	109E1348A102	109E1348A101	109E1348A1D01	—	127×127×38mm	No	✓	✓	✓	181
109E1348G101	109E1348G102	109E1348G101	109E1348G1D01	—	127×127×38mm	No	✓	✓	✓	181
109E1348S101	109E1348S102	109E1348S101	109E1348S1D01	—	127×127×38mm	No	✓	✓	✓	181
109E1712F501	109E1712F502	109E1712F501	109E1712F5D01	—	φ172mm×51mm	No	✓	✓	✓	201
109E1712H501	109E1712H502	109E1712H501	109E1712H5D01	—	φ172mm×51mm	No	✓	✓	✓	201
109E1712K501	109E1712K502	109E1712K501	—	—	φ172mm×51mm	No	✓	✓	✓	201
109E1712M501	109E1712M502	109E1712M501	—	—	φ172mm×51mm	No	✓	✓	✓	201
109E1712Y501	109E1712Y502	109E1712Y501	—	—	φ172mm×51mm	No	✓	✓	✓	201
109E1724C501	109E1724C502	109E1724C501	109E1724C5D01	9EH1724P5C01	φ172mm×51mm	No	✓	✓	✓	201
109E1724F501	109E1724F502	109E1724F501	109E1724F5D01	—	φ172mm×51mm	No	✓	✓	✓	201
109E1724H501	109E1724H502	109E1724H501	109E1724H5D01	—	φ172mm×51mm	No	✓	✓	✓	201
109E1724K501	109E1724K502	109E1724K501	109E1724K5D01	—	φ172mm×51mm	No	✓	✓	✓	201
109E1724M501	109E1724M502	109E1724M501	109E1724M5D01	—	φ172mm×51mm	No	✓	✓	✓	201
109E1748C501	109E1748C502	109E1748C501	—	—	φ172mm×51mm	No	✓	✓	✓	201
109E1748F501	109E1748F502	109E1748F501	—	—	φ172mm×51mm	No	✓	✓	✓	201
109E1748H501	109E1748H502	109E1748H501	109E1748H5D01	—	φ172mm×51mm	No	✓	✓	✓	201
109E1748K501	109E1748K502	109E1748K501	—	109E1748P5K03	φ172mm×51mm	No	✓	✓	✓	201
109E1748M501	109E1748M502	109E1748M501	—	—	φ172mm×51mm	No	✓	✓	✓	201
109E4712L401	109E4712L402	109E4712L401	109E4712L4D01	—	φ172mm×147mm×25mm	No	✓	✓	✓	191
109E4712M401	109E4712M402	109E4712M401	109E4712M4D01	—	φ172mm×147mm×25mm	No	✓	✓	✓	191
109E4724F401	109E4724F402	109E4724F401	109E4724F4D01	—	φ172mm×147mm×25mm	No	✓	✓	✓	191
109E4724H401	109E4724H402	109E4724H401	109E4724H4D01	109E4724P4H01	φ172mm×147mm×25mm	No	✓	✓	✓	191

Please contact your point of sale regarding low-speed sensors.

Standard name	Certification number
UL	E46810
CSA	172248

※TÜV certification numbers differ by model.

※The content of this catalog is current as of September 2016.

Please ask us about new products that we released after September 2016 if you want.

Models listed in the main section of this catalog	List of models (models not listed in the main section of this catalog are options. Standards for optional model numbers may differ from the certified standards listed at right. Contact us for details of models with "-" model numbers.)				Frame Size	Rib	Standard (certification status is for the models listed in this catalog, and standards for optional model numbers may differ.)			page
	Without sensor	With pulse sensor	With lock sensor	With PWM control function and pulse sensor			UL (cUL)	CSA (cUL)	TÜV	
							✓	✓	✓	
109E4724L401	109E4724L402	109E4724L401	109E4724L4D01	—	φ172mm×147mm×25mm	No	✓	✓	✓	191
109E4724M401	109E4724M402	109E4724M401	109E4724M4D01	—	φ172mm×147mm×25mm	No	✓	✓	✓	191
109E4748F401	109E4748F402	109E4748F401	109E4748F4D01	—	φ172mm×147mm×25mm	No	✓	✓	✓	191
109E4748H401	109E4748H402	109E4748H401	109E4748H4D01	—	φ172mm×147mm×25mm	No	✓	✓	✓	191
109E4748L401	109E4748L402	109E4748L401	109E4748L4D01	—	φ172mm×147mm×25mm	No	✓	✓	✓	191
109E4748M401	109E4748M402	109E4748M401	109E4748M4D01	—	φ172mm×147mm×25mm	No	✓	✓	✓	191
109E4748S401	109E4748S402	109E4748S401	109E4748S4D01	—	φ172mm×147mm×25mm	No	✓	✓	✓	191
109E5712F501	109E5712F502	109E5712F501	—	—	φ172mm×150mm×51mm	No	✓	✓	✓	199
109E5712H501	109E5712H502	109E5712H501	109E5712H5D01	—	φ172mm×150mm×51mm	No	✓	✓	✓	199
109E5712K501	109E5712K502	109E5712K501	109E5712K5D01	109E5712P5K04	φ172mm×150mm×51mm	No	✓	✓	✓	199
109E5712M501	109E5712M502	109E5712M501	109E5712M5D01	—	φ172mm×150mm×51mm	No	✓	✓	✓	199
109E5712Y501	109E5712Y502	109E5712Y501	—	—	φ172mm×150mm×51mm	No	✓	✓	✓	199
109E5724C501	109E5724C502	109E5724C501	109E5724C5D01	9EH5724P5C01	φ172mm×150mm×51mm	No	✓	✓	✓	199
109E5724F501	109E5724F502	109E5724F501	—	—	φ172mm×150mm×51mm	No	✓	✓	✓	199
109E5724H501	109E5724H502	109E5724H501	109E5724H5D01	—	φ172mm×150mm×51mm	No	✓	✓	✓	199
109E5724K501	109E5724K502	109E5724K501	109E5724K5D01	—	φ172mm×150mm×51mm	No	✓	✓	✓	199
109E5724M501	109E5724M502	109E5724M501	—	—	φ172mm×150mm×51mm	No	✓	✓	✓	199
109E5748C501	109E5748C502	109E5748C501	—	—	φ172mm×150mm×51mm	No	✓	✓	✓	199
109E5748F501	109E5748F502	109E5748F501	—	—	φ172mm×150mm×51mm	No	✓	✓	✓	199
109E5748H501	109E5748H502	109E5748H501	109E5748H5D01	—	φ172mm×150mm×51mm	No	✓	✓	✓	199
109E5748K501	109E5748K502	109E5748K501	—	—	φ172mm×150mm×51mm	No	✓	✓	✓	199
109E5748M501	109E5748M502	109E5748M501	—	—	φ172mm×150mm×51mm	No	✓	✓	✓	199
109L1412H101	109L1412H102	109L1412H101	109L1412H1D01	—	140×140×38mm	No	✓	✓	✓	349
109L1412M101	109L1412M102	109L1412M101	—	—	140×140×38mm	No	✓	✓	✓	349
109L1424H101	109L1424H102	109L1424H101	109L1424H1D01	—	140×140×38mm	No	✓	✓	✓	349
109L1424M101	109L1424M102	109L1424M101	109L1424M1D01	—	140×140×38mm	No	✓	✓	✓	349
109L1448H101	109L1448H102	109L1448H101	109L1448H1D01	—	140×140×38mm	No	✓	✓	✓	349
109L1448M101	109L1448M102	109L1448M101	109L1448M1D01	—	140×140×38mm	No	✓	✓	✓	349
109L1712H501	109L1712H502	109L1712H501	109L1712H5D01	—	φ172mm×51mm	No	✓	✓	✓	355
109L1712M501	109L1712M502	109L1712M501	109L1712M5D01	—	φ172mm×51mm	No	✓	✓	✓	355
109L1724H501	109L1724H502	109L1724H501	109L1724H5D01	—	φ172mm×51mm	No	✓	✓	✓	355
109L1724M501	109L1724M502	109L1724M501	109L1724M5D01	—	φ172mm×51mm	No	✓	✓	✓	355
109L1748H501	109L1748H502	109L1748H501	109L1748H5D01	—	φ172mm×51mm	No	✓	✓	✓	355
109L1748M501	109L1748M502	109L1748M501	109L1748M5D01	—	φ172mm×51mm	No	✓	✓	✓	355
109L5712H501	109L5712H502	109L5712H501	109L5712H5D01	—	φ172mm×150mm×51mm	No	✓	✓	✓	353
109L5712M501	109L5712M502	109L5712M501	109L5712M5D01	—	φ172mm×150mm×51mm	No	✓	✓	✓	353
109L5724H501	109L5724H502	109L5724H501	109L5724H5D01	—	φ172mm×150mm×51mm	No	✓	✓	✓	353
109L5724M501	109L5724M502	109L5724M501	109L5724M5D01	—	φ172mm×150mm×51mm	No	✓	✓	✓	353
109L5748H501	109L5748H502	109L5748H501	109L5748H5D01	—	φ172mm×150mm×51mm	No	✓	✓	✓	353
109L5748M501	109L5748M502	109L5748M501	109L5748M5D01	—	φ172mm×150mm×51mm	No	✓	✓	✓	353
109P0405F3013	109P0405F3023	109P0405F3013	109P0405F3D013	—	40×40×28mm	Yes	✓	✓	✓	43
109P0405F601	109P0405F602	109P0405F601	109P0405F6D01	—	40×40×20mm	Yes	✓	✓	✓	27
109P0405H3013	109P0405H3023	109P0405H3013	109P0405H3D013	—	40×40×28mm	Yes	✓	✓	✓	43
109P0405H601	109P0405H602	109P0405H601	109P0405H6D01	—	40×40×20mm	Yes	✓	✓	✓	27
109P0405H701	109P0405H702	109P0405H701	109P0405H7D01	—	40×40×15mm	Yes	✓	✓	✓	21
109P0405H901	109P0405H902	109P0405H901	109P0405H9D01	—	40×40×10mm	Yes	✓	✓	✓	17
109P0405J601	109P0405J602	109P0405J601	—	—	40×40×20mm	Yes	✓	✓	✓	27
109P0405M601	109P0405M602	109P0405M601	109P0405M6D01	—	40×40×20mm	Yes	✓	✓	✓	27
109P0405M701	109P0405M702	109P0405M701	109P0405M7D01	—	40×40×15mm	Yes	✓	✓	✓	21
109P0405M901	109P0405M902	109P0405M901	109P0405M9D01	—	40×40×10mm	Yes	✓	✓	✓	17
109P0412B3013	109P0412B3023	109P0412B3013	109P0412B3D013	109P0412P3B013	40×40×28mm	Yes	✓	✓	✓	43
109P0412D601	109P0412D602	109P0412D601	109P0412D6D01	—	40×40×20mm	Yes	✓	✓	✓	27
109P0412E601	109P0412E602	109P0412E601	109P0412E6D01	—	40×40×20mm	Yes	✓	✓	✓	27
109P0412F3013	109P0412F3023	109P0412F3013	109P0412F3D013	—	40×40×28mm	Yes	✓	✓	✓	43
109P0412F601	109P0412F602	109P0412F601	109P0412F6D01	—	40×40×20mm	Yes	✓	✓	✓	27
109P0412G3013	109P0412G3023	109P0412G3013	109P0412G3D013	—	40×40×28mm	Yes	✓	✓	✓	43
109P0412G601	109P0412G602	109P0412G601	109P0412G6D01	—	40×40×20mm	Yes	✓	✓	✓	27
109P0412H3013	109P0412H3023	109P0412H3013	109P0412H3D013	109P0412P3H013	40×40×28mm	Yes	✓	✓	✓	43
109P0412H601	109P0412H602	109P0412H601	109P0412H6D01	—	40×40×20mm	Yes	✓	✓	✓	27
109P0412H701	109P0412H702	109P0412H701	109P0412H7D01	—	40×40×15mm	Yes	✓	✓	✓	21
109P0412H901	109P0412H902	109P0412H901	109P0412H9D01	—	40×40×10mm	Yes	✓	✓	✓	17
109P0412J3013	109P0412J3023	109P0412J3013	109P0412J3D013	—	40×40×28mm	Yes	✓	✓	✓	43

Models listed in the main section of this catalog	List of models (models not listed in the main section of this catalog are options. Standards for optional model numbers may differ from the certified standards listed at right. Contact us for details of models with "-" model numbers.)				Frame Size	Rib	Standard (certification status is for the models listed in this catalog, and standards for optional model numbers may differ.)			page
	Without sensor	With pulse sensor	With lock sensor	With PWM control function and pulse sensor			UL (cUL)	CSA (cUL)	TÜV	
	109P0412K3013	109P0412K3023	109P0412K3013	109P0412K3D013			9PH0412P3K033	40×40×28mm	Yes	
109P0412M3013	109P0412M3023	109P0412M3013	109P0412M3D013	—	40×40×28mm	Yes	✓	✓	✓	43
109P0412M601	109P0412M602	109P0412M601	109P0412M6D01	—	40×40×20mm	Yes	✓	✓	✓	27
109P0412M701	109P0412M702	109P0412M701	109P0412M7D01	—	40×40×15mm	Yes	✓	✓	✓	21
109P0412M901	109P0412M902	109P0412M901	109P0412M9D01	—	40×40×10mm	Yes	✓	✓	✓	17
109P0412R701	109P0412R702	109P0412R701	109P0412R7D01	—	40×40×15mm	Yes	✓	✓	✓	21
109P0412S701	109P0412S702	109P0412S701	109P0412S7D01	—	40×40×15mm	Yes	✓	✓	✓	21
109P0424B3013	109P0424B3023	109P0424B3013	109P0424B3D013	—	40×40×28mm	Yes	✓	✓	✓	43
109P0424B601	109P0424B602	109P0424B601	109P0424B6D01	—	40×40×20mm	Yes	✓	✓	✓	27
109P0424D601	109P0424D602	109P0424D601	109P0424D6D01	—	40×40×20mm	Yes	✓	✓	✓	27
109P0424F3013	109P0424F3023	109P0424F3013	109P0424F3D013	—	40×40×28mm	Yes	✓	✓	✓	43
109P0424F601	109P0424F602	109P0424F601	109P0424F6D01	—	40×40×20mm	Yes	✓	✓	✓	27
109P0424G3013	109P0424G3023	109P0424G3013	109P0424G3D013	—	40×40×28mm	Yes	✓	✓	✓	43
109P0424G601	109P0424G602	109P0424G601	109P0424G6D01	—	40×40×20mm	Yes	✓	✓	✓	27
109P0424H3013	109P0424H3023	109P0424H3013	109P0424H3D013	—	40×40×28mm	Yes	✓	✓	✓	43
109P0424H601	109P0424H602	109P0424H601	109P0424H6D01	—	40×40×20mm	Yes	✓	✓	✓	27
109P0424H701	109P0424H702	109P0424H701	109P0424H7D01	—	40×40×15mm	Yes	✓	✓	✓	21
109P0424J3013	109P0424J3023	109P0424J3013	109P0424J3D013	—	40×40×28mm	Yes	✓	✓	✓	43
109P0424R3013	109P0424R3023	109P0424R3013	—	—	40×40×28mm	Yes	—	—	—	43
109P0505M701	109P0505M702	109P0505M701	109P0505M7D01	—	52×52×15mm	Yes	✓	✓	✓	51
109P0512A701	109P0512A702	109P0512A701	109P0512A7D01	—	52×52×15mm	Yes	✓	✓	✓	51
109P0512H701	109P0512H702	109P0512H701	109P0512H7D01	—	52×52×15mm	Yes	✓	✓	✓	51
109P0512M701	109P0512M702	109P0512M701	109P0512M7D01	—	52×52×15mm	Yes	✓	✓	✓	51
109P0524A701	109P0524A702	109P0524A701	109P0524A7D01	—	52×52×15mm	Yes	✓	✓	✓	51
109P0524H701	109P0524H702	109P0524H701	109P0524H7D01	—	52×52×15mm	Yes	✓	✓	✓	51
109P0524M701	109P0524M702	109P0524M701	109P0524M7D01	—	52×52×15mm	Yes	✓	✓	✓	51
109P0605H701	109P0605H702	109P0605H701	109P0605H7D01	—	60×60×15mm	Yes	✓	✓	✓	59
109P0605M701	109P0605M702	109P0605M701	109P0605M7D01	—	60×60×15mm	Yes	✓	✓	✓	59
109P0612B701	109P0612B702	109P0612B701	109P0612B7D01	—	60×60×15mm	Yes	✓	✓	✓	59
109P0612H601	109P0612H602	109P0612H601	109P0612H6D01	—	60×60×20mm	Yes	✓	✓	✓	65
109P0612H701	109P0612H702	109P0612H701	109P0612H7D01	—	60×60×15mm	Yes	✓	✓	✓	59
109P0612K701	109P0612K702	109P0612K701	109P0612K7D01	—	60×60×15mm	Yes	✓	✓	✓	59
109P0612M601	109P0612M602	109P0612M601	109P0612M6D01	—	60×60×20mm	Yes	✓	✓	✓	65
109P0612M701	109P0612M702	109P0612M701	109P0612M7D01	—	60×60×15mm	Yes	✓	✓	✓	59
109P0612S701	109P0612S702	109P0612S701	109P0612S7D01	—	60×60×15mm	Yes	✓	✓	✓	59
109P0612V601	109P0612V602	109P0612V601	109P0612V6D01	—	60×60×20mm	Yes	✓	✓	✓	65
109P0624H601	109P0624H602	109P0624H601	109P0624H6D01	—	60×60×20mm	Yes	✓	✓	✓	65
109P0624H701	109P0624H702	109P0624H701	109P0624H7D01	—	60×60×15mm	Yes	✓	✓	✓	59
109P0624J701	109P0624J702	109P0624J701	109P0624J7D01	—	60×60×15mm	Yes	✓	✓	✓	59
109P0624M601	109P0624M602	109P0624M601	109P0624M6D01	—	60×60×20mm	Yes	✓	✓	✓	65
109P0624M701	109P0624M702	109P0624M701	109P0624M7D01	—	60×60×15mm	Yes	✓	✓	✓	59
109P0624S701	109P0624S702	109P0624S701	109P0624S7D01	—	60×60×15mm	Yes	✓	✓	✓	59
109P0624V601	109P0624V602	109P0624V601	109P0624V6D01	—	60×60×20mm	Yes	✓	✓	✓	65
109P0648H601	109P0648H602	109P0648H601	109P0648H6D01	—	60×60×20mm	Yes	✓	✓	✓	65
109P0812A201	109P0812A202	109P0812A201	109P0812A2D01	—	80×80×32mm	Yes	✓	✓	✓	121
109P0812A2011	109P0812A2021	109P0812A2011	109P0812A2D011	—	80×80×32mm	No	✓	✓	✓	121
109P0812C601	109P0812C602	109P0812C601	109P0812C6D01	—	80×80×20mm	Yes	—	—	—	99
109P0812H201	109P0812H202	109P0812H201	109P0812H2D01	—	80×80×32mm	Yes	✓	✓	✓	121
109P0812H2011	109P0812H2021	109P0812H2011	109P0812H2D011	—	80×80×32mm	No	✓	✓	✓	121
109P0812H601	109P0812H602	109P0812H601	109P0812H6D01	—	80×80×20mm	Yes	✓	✓	✓	99
109P0812H701	109P0812H702	109P0812H701	109P0812H7D01	—	80×80×15mm	Yes	✓	✓	✓	95
109P0812M201	109P0812M202	109P0812M201	109P0812M2D01	—	80×80×32mm	Yes	✓	✓	✓	121
109P0812M2011	109P0812M2021	109P0812M2011	109P0812M2D011	—	80×80×32mm	No	✓	✓	✓	121
109P0812M601	109P0812M602	109P0812M601	109P0812M6D01	—	80×80×20mm	Yes	✓	✓	✓	99
109P0812M701	109P0812M702	109P0812M701	109P0812M7D01	—	80×80×15mm	Yes	✓	✓	✓	95
109P0824A201	109P0824A202	109P0824A201	109P0824A2D01	—	80×80×32mm	Yes	✓	✓	✓	121
109P0824A2011	109P0824A2021	109P0824A2011	—	—	80×80×32mm	No	✓	✓	✓	121
109P0824H201	109P0824H202	109P0824H201	109P0824H2D01	—	80×80×32mm	Yes	✓	✓	✓	121
109P0824H2011	109P0824H2021	109P0824H2011	109P0824H2D011	—	80×80×32mm	No	✓	✓	✓	121
109P0824H601	109P0824H602	109P0824H601	109P0824H6D01	—	80×80×20mm	Yes	✓	✓	✓	99
109P0824H701	109P0824H702	109P0824H701	109P0824H7D01	—	80×80×15mm	Yes	✓	✓	✓	95
109P0824M201	109P0824M202	109P0824M201	109P0824M2D01	—	80×80×32mm	Yes	✓	✓	✓	121

Models listed in the main section of this catalog	List of models (models not listed in the main section of this catalog are options. Standards for optional model numbers may differ from the certified standards listed at right. Contact us for details of models with "-" model numbers.)				Frame Size	Rib	Standard (certification status is for the models listed in this catalog, and standards for optional model numbers may differ.)			page
	Without sensor	With pulse sensor	With lock sensor	With PWM control function and pulse sensor			UL	CSA	TÜV	
							(cUL)	(cUL)		
109P0824M2011	109P0824M2021	109P0824M2011	109P0824M2D011	—	80×80×32mm	No	✓	✓	✓	121
109P0824M601	109P0824M602	109P0824M601	109P0824M6D01	—	80×80×20mm	Yes	✓	✓	✓	99
109P0824M701	109P0824M702	109P0824M701	109P0824M7D01	—	80×80×15mm	Yes	✓	✓	✓	95
109P0848C601	109P0848C602	109P0848C601	109P0848C6D01	—	80×80×20mm	Yes	✓	✓	✓	99
109P0848H201	109P0848H202	109P0848H201	109P0848H2D01	—	80×80×32mm	Yes	✓	✓	✓	121
109P0848H2011	109P0848H2021	109P0848H2011	—	—	80×80×32mm	No	✓	✓	✓	121
109P0848H601	—	109P0848H601	109P0848H6D01	—	80×80×20mm	Yes	✓	✓	✓	99
109P1312H101	109P1312H102	109P1312H101	109P1312H1D01	—	127×127×38mm	Yes	✓	✓	✓	179
109P1312H1011	109P1312H1021	109P1312H1011	109P1312H1D011	—	127×127×38mm	No	✓	✓	✓	179
109P1312S101	109P1312S102	109P1312S101	109P1312S1D01	—	127×127×38mm	Yes	✓	✓	✓	179
109P1312S1011	109P1312S1021	109P1312S1011	109P1312S1D011	—	127×127×38mm	No	✓	✓	✓	179
109P1324H101	109P1324H102	109P1324H101	109P1324H1D01	—	127×127×38mm	Yes	✓	✓	✓	179
109P1324H1011	109P1324H1021	109P1324H1011	109P1324H1D011	—	127×127×38mm	No	✓	✓	✓	179
109P1324S101	109P1324S102	109P1324S101	109P1324S1D01	—	127×127×38mm	Yes	✓	✓	✓	179
109P1324S1011	109P1324S1021	109P1324S1011	109P1324S1D011	—	127×127×38mm	No	✓	✓	✓	179
109P1348H101	109P1348H102	109P1348H101	109P1348H1D01	—	127×127×38mm	Yes	✓	✓	✓	179
109P1348H1011	109P1348H1021	109P1348H1011	109P1348H1D011	—	127×127×38mm	No	✓	✓	✓	179
109P1348S101	109P1348S102	109P1348S101	109P1348S1D01	—	127×127×38mm	Yes	✓	✓	✓	179
109P1348S1011	109P1348S1021	109P1348S1011	109P1348S1D011	—	127×127×38mm	No	✓	✓	✓	179
109P1412H101	109P1412H102	109P1412H101	109P1412H1D01	—	140×140×38mm	Yes	✓	✓	✓	187
109P1412M101	109P1412M102	109P1412M101	—	—	140×140×38mm	Yes	✓	✓	✓	187
109P1424H101	109P1424H102	109P1424H101	109P1424H1D01	—	140×140×38mm	Yes	✓	✓	✓	187
109P1424M101	109P1424M102	109P1424M101	—	—	140×140×38mm	Yes	✓	✓	✓	187
109P1448H101	109P1448H102	109P1448H101	—	—	140×140×38mm	Yes	✓	✓	✓	187
109P1448M101	109P1448M102	109P1448M101	—	—	140×140×38mm	Yes	✓	✓	✓	187
109R0605F401	109R0605F402	109R0605F401	109R0605F4D01	—	60×60×25mm	Yes	✓	✓	✓	71
109R0605F4011	109R0605F4021	109R0605F4011	—	—	60×60×25mm	No	✓	✓	✓	71
109R0605H401	109R0605H402	109R0605H401	109R0605H4D01	—	60×60×25mm	Yes	✓	✓	✓	71
109R0605H4011	109R0605H4021	109R0605H4011	—	—	60×60×25mm	No	✓	✓	✓	71
109R0605M401	109R0605M402	109R0605M401	109R0605M4D01	—	60×60×25mm	Yes	✓	✓	✓	71
109R0605M4011	109R0605M4021	109R0605M4011	—	—	60×60×25mm	No	✓	✓	✓	71
109R0612D401	109R0612D402	109R0612D401	109R0612D4D01	—	60×60×25mm	Yes	✓	✓	✓	71
109R0612D4011	109R0612D4021	109R0612D4011	109R0612D4D011	—	60×60×25mm	No	✓	✓	✓	71
109R0612F401	109R0612F402	109R0612F401	109R0612F4D01	—	60×60×25mm	Yes	✓	✓	✓	71
109R0612F4011	109R0612F4021	109R0612F4011	109R0612F4D011	—	60×60×25mm	No	✓	✓	✓	71
109R0612G401	109R0612G402	109R0612G401	109R0612G4D01	—	60×60×25mm	Yes	✓	✓	✓	71
109R0612G4011	109R0612G4021	109R0612G4011	109R0612G4D011	—	60×60×25mm	No	✓	✓	✓	71
109R0612H401	109R0612H402	109R0612H401	109R0612H4D01	—	60×60×25mm	Yes	✓	✓	✓	71
109R0612H4011	109R0612H4021	109R0612H4011	109R0612H4D011	—	60×60×25mm	No	✓	✓	✓	71
109R0612J401	109R0612J402	109R0612J401	109R0612J4D01	109R0612P4J03	60×60×25mm	Yes	✓	✓	✓	71
109R0612J4011	109R0612J4021	109R0612J4011	109R0612J4D011	109R0612P4J061	60×60×25mm	No	✓	✓	✓	71
109R0612M401	109R0612M402	109R0612M401	109R0612M4D01	—	60×60×25mm	Yes	✓	✓	✓	71
109R0612M4011	109R0612M4021	109R0612M4011	109R0612M4D011	—	60×60×25mm	No	✓	✓	✓	71
109R0612S401	109R0612S402	109R0612S401	109R0612S4D01	—	60×60×25mm	Yes	✓	✓	✓	71
109R0612S4011	109R0612S4021	109R0612S4011	109R0612S4D011	—	60×60×25mm	No	✓	✓	✓	71
109R0624D401	109R0624D402	109R0624D401	109R0624D4D01	—	60×60×25mm	Yes	✓	✓	✓	71
109R0624D4011	109R0624D4021	109R0624D4011	—	—	60×60×25mm	No	✓	✓	✓	71
109R0624F401	109R0624F402	109R0624F401	109R0624F4D01	—	60×60×25mm	Yes	✓	✓	✓	71
109R0624F4011	109R0624F4021	109R0624F4011	109R0624F4D011	—	60×60×25mm	No	✓	✓	✓	71
109R0624G401	109R0624G402	109R0624G401	109R0624G4D01	—	60×60×25mm	Yes	✓	✓	✓	71
109R0624G4011	109R0624G4021	109R0624G4011	109R0624G4D011	—	60×60×25mm	No	✓	✓	✓	71
109R0624H401	109R0624H402	109R0624H401	109R0624H4D01	—	60×60×25mm	Yes	✓	✓	✓	71
109R0624H4011	109R0624H4021	109R0624H4011	109R0624H4D011	—	60×60×25mm	No	✓	✓	✓	71
109R0624J401	109R0624J402	109R0624J401	109R0624J4D01	9RH0624P4J01	60×60×25mm	Yes	✓	✓	✓	71
109R0624J4011	109R0624J4021	109R0624J4011	109R0624J4D011	—	60×60×25mm	No	✓	✓	✓	71
109R0624M401	109R0624M402	109R0624M401	109R0624M4D01	—	60×60×25mm	Yes	✓	✓	✓	71
109R0624M4011	109R0624M4021	109R0624M4011	109R0624M4D011	—	60×60×25mm	No	✓	✓	✓	71
109R0624S401	109R0624S402	109R0624S401	109R0624S4D01	—	60×60×25mm	Yes	✓	✓	✓	71
109R0624S4011	109R0624S4021	109R0624S4011	109R0624S4D011	—	60×60×25mm	No	✓	✓	✓	71
109R0648G401	109R0648G402	109R0648G401	109R0648G4D01	—	60×60×25mm	Yes	✓	✓	✓	71
109R0648G4011	109R0648G4021	109R0648G4011	109R0648G4D011	—	60×60×25mm	No	✓	✓	✓	71
109R0648H401	109R0648H402	109R0648H401	109R0648H4D01	—	60×60×25mm	Yes	✓	✓	✓	71

Models listed in the main section of this catalog	List of models (models not listed in the main section of this catalog are options. Standards for optional model numbers may differ from the certified standards listed at right. Contact us for details of models with "-" model numbers.)				Frame Size	Rib	Standard (certification status is for the models listed in this catalog, and standards for optional model numbers may differ.)			page
	Without sensor	With pulse sensor	With lock sensor	With PWM control function and pulse sensor			UL (cUL)	CSA (cUL)	TÜV	
							✓	✓	✓	
109R0648H4011	109R0648H4021	109R0648H4011	109R0648H4D011	—	60×60×25mm	No	✓	✓	✓	71
109R0648J401	109R0648J402	109R0648J401	109R0648J4D01	—	60×60×25mm	Yes	✓	✓	✓	71
109R0648J4011	109R0648J4021	109R0648J4011	—	—	60×60×25mm	No	✓	✓	✓	71
109R0805F401	109R0805F402	109R0805F401	109R0805F4D01	—	80×80×25mm	Yes	✓	✓	✓	111
109R0805F4011	109R0805F4021	109R0805F4011	—	—	80×80×25mm	No	✓	✓	✓	111
109R0805M401	109R0805M402	109R0805M401	109R0805M4D01	—	80×80×25mm	Yes	✓	✓	✓	111
109R0805M4011	109R0805M4021	109R0805M4011	—	—	80×80×25mm	No	✓	✓	✓	111
109R0812E401	109R0812E402	109R0812E401	—	—	80×80×25mm	Yes	—	—	—	111
109R0812E4011	—	109R0812E4011	—	—	80×80×25mm	No	—	—	—	111
109R0812F401	109R0812F402	109R0812F401	109R0812F4D01	—	80×80×25mm	Yes	✓	✓	✓	111
109R0812F4011	109R0812F4021	109R0812F4011	109R0812F4D011	—	80×80×25mm	No	✓	✓	✓	111
109R0812G401	109R0812G402	109R0812G401	109R0812G4D01	—	80×80×25mm	Yes	✓	✓	✓	111
109R0812G4011	109R0812G4021	109R0812G4011	109R0812G4D011	—	80×80×25mm	No	✓	✓	✓	111
109R0812H401	109R0812H402	109R0812H401	109R0812H4D01	—	80×80×25mm	Yes	✓	✓	✓	111
109R0812H4011	109R0812H4021	109R0812H4011	109R0812H4D011	—	80×80×25mm	No	✓	✓	✓	111
109R0812L401	109R0812L402	109R0812L401	109R0812L4D01	—	80×80×25mm	Yes	✓	✓	✓	111
109R0812L4011	109R0812L4021	109R0812L4011	109R0812L4D011	—	80×80×25mm	No	✓	✓	✓	111
109R0812M401	109R0812M402	109R0812M401	109R0812M4D01	—	80×80×25mm	Yes	✓	✓	✓	111
109R0812M4011	109R0812M4021	109R0812M4011	109R0812M4D011	—	80×80×25mm	No	✓	✓	✓	111
109R0812S401	109R0812S402	109R0812S401	109R0812S4D01	—	80×80×25mm	Yes	✓	✓	✓	111
109R0812S4011	109R0812S4021	109R0812S4011	109R0812S4D011	—	80×80×25mm	No	✓	✓	✓	111
109R0824F401	109R0824F402	109R0824F401	109R0824F4D01	—	80×80×25mm	Yes	✓	✓	✓	111
109R0824F4011	109R0824F4021	109R0824F4011	109R0824F4D011	—	80×80×25mm	No	✓	✓	✓	111
109R0824G401	109R0824G402	109R0824G401	109R0824G4D01	—	80×80×25mm	Yes	✓	✓	✓	111
109R0824G4011	109R0824G4021	109R0824G4011	109R0824G4D011	—	80×80×25mm	No	✓	✓	✓	111
109R0824H401	109R0824H402	109R0824H401	109R0824H4D01	—	80×80×25mm	Yes	✓	✓	✓	111
109R0824H4011	109R0824H4021	109R0824H4011	109R0824H4D011	—	80×80×25mm	No	✓	✓	✓	111
109R0824L401	109R0824L402	109R0824L401	109R0824L4D01	—	80×80×25mm	Yes	✓	✓	✓	111
109R0824L4011	109R0824L4021	109R0824L4011	109R0824L4D011	—	80×80×25mm	No	✓	✓	✓	111
109R0824M401	109R0824M402	109R0824M401	109R0824M4D01	—	80×80×25mm	Yes	✓	✓	✓	111
109R0824M4011	109R0824M4021	109R0824M4011	109R0824M4D011	—	80×80×25mm	No	✓	✓	✓	111
109R0824S401	109R0824S402	109R0824S401	109R0824S4D01	—	80×80×25mm	Yes	✓	✓	✓	111
109R0824S4011	109R0824S4021	109R0824S4011	109R0824S4D011	—	80×80×25mm	No	✓	✓	✓	111
109R0848K401	109R0848K402	109R0848K401	109R0848K4D01	—	80×80×25mm	Yes	✓	✓	✓	111
109R0848K4011	109R0848K4021	109R0848K4011	109R0848K4D011	—	80×80×25mm	No	✓	✓	✓	111
109R0848S401	109R0848S402	109R0848S401	109R0848S4D01	—	80×80×25mm	Yes	✓	✓	✓	111
109R0848S4011	109R0848S4021	109R0848S4011	109R0848S4D011	—	80×80×25mm	No	✓	✓	✓	111
109W1412H101-U	109W1412H102-U	109W1412H101-U	—	—	140×140×38mm	No	✓	✓	✓	285
109W1412M101-U	109W1412M102-U	109W1412M101-U	109W1412M1D01-U	—	140×140×38mm	No	✓	✓	✓	285
109W1424H101-U	109W1424H102-U	109W1424H101-U	—	—	140×140×38mm	No	✓	✓	✓	285
109W1424M101-U	109W1424M102-U	109W1424M101-U	—	—	140×140×38mm	No	✓	✓	✓	285
109W1448H101-U	109W1448H102-U	109W1448H101-U	109W1448H1D01-U	—	140×140×38mm	No	✓	✓	✓	285
109W1448M101-U	109W1448M102-U	109W1448M101-U	—	—	140×140×38mm	No	✓	✓	✓	285
9A0612F401	9A0612F402	9A0612F401	9A0612F4D01	—	60×60×25mm	Yes	✓	✓	✓	75
9A0612F4011	9A0612F4021	9A0612F4011	9A0612F4D011	—	60×60×25mm	No	✓	✓	✓	75
9A0612G401	9A0612G402	9A0612G401	9A0612G4D01	9AH0612P4G03	60×60×25mm	Yes	✓	✓	✓	75
9A0612G4011	9A0612G4021	9A0612G4011	9A0612G4D011	—	60×60×25mm	No	✓	✓	✓	75
9A0612H401	9A0612H402	9A0612H401	9A0612H4D01	9AH0612P4H05	60×60×25mm	Yes	✓	✓	✓	75
9A0612H4011	9A0612H4021	9A0612H4011	9A0612H4D011	—	60×60×25mm	No	✓	✓	✓	75
9A0612M401	9A0612M402	9A0612M401	9A0612M4D01	—	60×60×25mm	Yes	✓	✓	✓	75
9A0612M4011	9A0612M4021	9A0612M4011	9A0612M4D011	—	60×60×25mm	No	✓	✓	✓	75
9A0612S401	9A0612S402	9A0612S401	9A0612S4D01	—	60×60×25mm	Yes	✓	✓	✓	75
9A0612S4011	9A0612S4021	9A0612S4011	9A0612S4D011	—	60×60×25mm	No	✓	✓	✓	75
9A0624F401	9A0624F402	9A0624F401	9A0624F4D01	—	60×60×25mm	Yes	✓	✓	✓	75
9A0624F4011	9A0624F4021	9A0624F4011	9A0624F4D011	—	60×60×25mm	No	✓	✓	✓	75
9A0624G401	9A0624G402	9A0624G401	9A0624G4D01	—	60×60×25mm	Yes	✓	✓	✓	75
9A0624G4011	9A0624G4021	9A0624G4011	—	—	60×60×25mm	No	✓	✓	✓	75
9A0624H401	9A0624H402	9A0624H401	9A0624H4D01	—	60×60×25mm	Yes	✓	✓	✓	75
9A0624H4011	9A0624H4021	9A0624H4011	9A0624H4D011	—	60×60×25mm	No	✓	✓	✓	75
9A0624M401	9A0624M402	9A0624M401	9A0624M4D01	—	60×60×25mm	Yes	✓	✓	✓	75
9A0624M4011	9A0624M4021	9A0624M4011	9A0624M4D011	—	60×60×25mm	No	✓	✓	✓	75
9A0624S401	9A0624S402	9A0624S401	9A0624S4D01	—	60×60×25mm	Yes	✓	✓	✓	75

Models listed in the main section of this catalog	List of models (models not listed in the main section of this catalog are options. Standards for optional model numbers may differ from the certified standards listed at right. Contact us for details of models with "-" model numbers.)				Frame Size	Rib	Standard (certification status is for the models listed in this catalog, and standards for optional model numbers may differ.)			page
	Without sensor	With pulse sensor	With lock sensor	With PWM control function and pulse sensor			UL (cUL)	CSA (cUL)	TÜV	
	9A0624S4011	9A0624S4021	9A0624S4011	9A0624S4D011			—	60×60×25mm	No	
9A0812F401	9A0812F402	9A0812F401	9A0812F4D01	—	80×80×25mm	Yes	✓	✓	✓	115
9A0812F4011	9A0812F4021	9A0812F4011	9A0812F4D011	—	80×80×25mm	No	✓	✓	✓	115
9A0812G401	9A0812G402	9A0812G401	9A0812G4D01	9AH0812P4G04	80×80×25mm	Yes	✓	✓	✓	115
9A0812G4011	9A0812G4021	9A0812G4011	9A0812G4D011	9AH0812P4G011	80×80×25mm	No	✓	✓	✓	115
9A0812H401	9A0812H402	9A0812H401	9A0812H4D01	9AH0812P4H04	80×80×25mm	Yes	✓	✓	✓	115
9A0812H4011	9A0812H4021	9A0812H4011	9A0812H4D011	—	80×80×25mm	No	✓	✓	✓	115
9A0812L401	9A0812L402	9A0812L401	9A0812L4D01	—	80×80×25mm	Yes	✓	✓	✓	115
9A0812L4011	9A0812L4021	9A0812L4011	9A0812L4D011	—	80×80×25mm	No	✓	✓	✓	115
9A0812M401	9A0812M402	9A0812M401	9A0812M4D01	—	80×80×25mm	Yes	✓	✓	✓	115
9A0812M4011	9A0812M4021	9A0812M4011	9A0812M4D011	—	80×80×25mm	No	✓	✓	✓	115
9A0812S401	9A0812S402	9A0812S401	9A0812S4D01	—	80×80×25mm	Yes	✓	✓	✓	115
9A0812S4011	9A0812S4021	9A0812S4011	9A0812S4D011	—	80×80×25mm	No	✓	✓	✓	115
9A0824F401	9A0824F402	9A0824F401	9A0824F4D01	—	80×80×25mm	Yes	✓	✓	✓	115
9A0824F4011	9A0824F4021	9A0824F4011	9A0824F4D011	—	80×80×25mm	No	✓	✓	✓	115
9A0824G401	9A0824G402	9A0824G401	9A0824G4D01	—	80×80×25mm	Yes	✓	✓	✓	115
9A0824G4011	9A0824G4021	9A0824G4011	9A0824G4D011	—	80×80×25mm	No	✓	✓	✓	115
9A0824H401	9A0824H402	9A0824H401	9A0824H4D01	—	80×80×25mm	Yes	✓	✓	✓	115
9A0824H4011	9A0824H4021	9A0824H4011	9A0824H4D011	—	80×80×25mm	No	✓	✓	✓	115
9A0824L401	9A0824L402	9A0824L401	9A0824L4D01	—	80×80×25mm	Yes	✓	✓	✓	115
9A0824L4011	9A0824L4021	9A0824L4011	9A0824L4D011	—	80×80×25mm	No	✓	✓	✓	115
9A0824M401	9A0824M402	9A0824M401	9A0824M4D01	—	80×80×25mm	Yes	✓	✓	✓	115
9A0824M4011	9A0824M4021	9A0824M4011	9A0824M4D011	—	80×80×25mm	No	✓	✓	✓	115
9A0824S401	9A0824S402	9A0824S401	9A0824S4D01	—	80×80×25mm	Yes	✓	✓	✓	115
9A0824S4011	9A0824S4021	9A0824S4011	9A0824S4D011	—	80×80×25mm	No	✓	✓	✓	115
9A0912F401	9A0912F402	9A0912F401	9A0912F4D01	—	92×92×25mm	Yes	✓	✓	✓	143
9A0912F4011	9A0912F4021	9A0912F4011	9A0912F4D011	—	92×92×25mm	No	✓	✓	✓	143
9A0912G401	9A0912G402	9A0912G401	9A0912G4D01	9AH0912P4G03	92×92×25mm	Yes	✓	✓	✓	143
9A0912G4011	9A0912G4021	9A0912G4011	9A0912G4D011	—	92×92×25mm	No	✓	✓	✓	143
9A0912H401	9A0912H402	9A0912H401	9A0912H4D01	9AH0912P4H03	92×92×25mm	Yes	✓	✓	✓	143
9A0912H4011	9A0912H4021	9A0912H4011	9A0912H4D011	—	92×92×25mm	No	✓	✓	✓	143
9A0912L401	9A0912L402	9A0912L401	9A0912L4D01	—	92×92×25mm	Yes	✓	✓	✓	143
9A0912L4011	9A0912L4021	9A0912L4011	9A0912L4D011	—	92×92×25mm	No	✓	✓	✓	143
9A0912M401	9A0912M402	9A0912M401	9A0912M4D01	—	92×92×25mm	Yes	✓	✓	✓	143
9A0912M4011	9A0912M4021	9A0912M4011	9A0912M4D011	—	92×92×25mm	No	✓	✓	✓	143
9A0912S401	9A0912S402	9A0912S401	9A0912S4D01	—	92×92×25mm	Yes	✓	✓	✓	143
9A0912S4011	9A0912S4021	9A0912S4011	9A0912S4D011	—	92×92×25mm	No	✓	✓	✓	143
9A0924F401	9A0924F402	9A0924F401	9A0924F4D01	—	92×92×25mm	Yes	✓	✓	✓	143
9A0924F4011	9A0924F4021	9A0924F4011	9A0924F4D011	—	92×92×25mm	No	✓	✓	✓	143
9A0924G401	9A0924G402	9A0924G401	9A0924G4D01	—	92×92×25mm	Yes	✓	✓	✓	143
9A0924G4011	9A0924G4021	9A0924G4011	—	—	92×92×25mm	No	✓	✓	✓	143
9A0924H401	9A0924H402	9A0924H401	9A0924H4D01	—	92×92×25mm	Yes	✓	✓	✓	143
9A0924H4011	9A0924H4021	9A0924H4011	9A0924H4D011	—	92×92×25mm	No	✓	✓	✓	143
9A0924L401	9A0924L402	9A0924L401	9A0924L4D01	—	92×92×25mm	Yes	✓	✓	✓	143
9A0924L4011	9A0924L4021	9A0924L4011	9A0924L4D011	—	92×92×25mm	No	✓	✓	✓	143
9A0924M401	9A0924M402	9A0924M401	9A0924M4D01	—	92×92×25mm	Yes	✓	✓	✓	143
9A0924M4011	9A0924M4021	9A0924M4011	9A0924M4D011	—	92×92×25mm	No	✓	✓	✓	143
9A0924S401	9A0924S402	9A0924S401	9A0924S4D01	—	92×92×25mm	Yes	✓	✓	✓	143
9A0924S4011	9A0924S4021	9A0924S4011	9A0924S4D011	—	92×92×25mm	No	✓	✓	✓	143
9A0948S401	9A0948S402	9A0948S401	9A0948S4D01	—	92×92×25mm	Yes	✓	✓	✓	143
9A0948S4011	9A0948S4021	9A0948S4011	—	—	92×92×25mm	No	✓	✓	✓	143
9B1TP24P0H001	—	—	—	9B1TP24P0H001	φ270mm×99mm	—	✓	✓	✓	387
9B1TP48P0H001	—	—	—	9B1TP48P0H001	φ270mm×99mm	—	✓	✓	✓	387
9B1TP48P0G001	—	—	—	9B1TP48P0G001	φ270mm×99mm	—	✓	✓	✓	387
9B1TS48P0H001	—	—	—	9B1TS48P0H001	φ270mm×119mm	—	✓	✓	✓	389
9B1TS48P0G001	—	—	—	9B1TS48P0G001	φ270mm×119mm	—	✓	✓	✓	389
9BD12FC6-1	9BD12FA6-1	9BD12FC6-1	9BD12FD6-1	—	76mm×20mm	—	✓	✓	✓	395
9BD12HC6-1	9BD12HA6-1	9BD12HC6-1	9BD12HD6-1	—	76mm×20mm	—	✓	✓	✓	395
9BD12SC6-1	9BD12SA6-1	9BD12SC6-1	9BD12SD6-1	9BD12P6S01	76mm×20mm	—	✓	✓	✓	395
9BD24FC6-1	9BD24FA6-1	9BD24FC6-1	9BD24FD6-1	—	76mm×20mm	—	✓	✓	✓	395
9BD24HC6-1	9BD24HA6-1	9BD24HC6-1	9BD24HD6-1	—	76mm×20mm	—	✓	✓	✓	395
9BD24SC6-1	9BD24SA6-1	9BD24SC6-1	9BD24SD6-1	9BD24P6S06	76mm×20mm	—	✓	✓	✓	395

Models listed in the main section of this catalog	List of models (models not listed in the main section of this catalog are options. Standards for optional model numbers may differ from the certified standards listed at right. Contact us for details of models with "-" model numbers.)				Frame Size	Rib	Standard (certification status is for the models listed in this catalog, and standards for optional model numbers may differ.)			page
	Without sensor	With pulse sensor	With lock sensor	With PWM control function and pulse sensor			UL (cUL)	CSA (cUL)	TÜV	
							✓	✓	✓	
9BFB12P2H003	—	—	—	9BFB12P2H003	120mm×32mm	—	✓	✓	✓	407
9BFB24P2H003	—	—	—	9BFB24P2H003	120mm×32mm	—	✓	✓	✓	407
9BMB12F201	9BMB12F202	9BMB12F201	9BMB12F2D01	9BMB12P2F01	97mm×33mm	—	✓	✓	✓	401
9BMB12G201	9BMB12G202	9BMB12G201	9BMB12G2D01	9BMB12P2G01	97mm×33mm	—	✓	✓	✓	401
9BMB12H201	9BMB12H202	9BMB12H201	9BMB12H2D01	9BMB12P2H01	97mm×33mm	—	✓	✓	✓	401
9BMB12K201	9BMB12K202	9BMB12K201	—	9BMB12P2K01	97mm×33mm	—	✓	✓	✓	401
9BMB12P2F01	9BMB12F202	9BMB12F201	9BMB12F2D01	9BMB12P2F01	97mm×33mm	—	✓	✓	✓	401
9BMB12P2G01	9BMB12G202	9BMB12G201	9BMB12G2D01	9BMB12P2G01	97mm×33mm	—	✓	✓	✓	401
9BMB12P2H01	9BMB12H202	9BMB12H201	9BMB12H2D01	9BMB12P2H01	97mm×33mm	—	✓	✓	✓	401
9BMB12P2K01	9BMB12K202	9BMB12K201	—	9BMB12P2K01	97mm×33mm	—	✓	✓	✓	401
9BMB12P2S01	9BMB12S202	9BMB12S201	—	9BMB12P2S01	97mm×33mm	—	✓	✓	✓	401
9BMB12S201	9BMB12S202	9BMB12S201	—	9BMB12P2S01	97mm×33mm	—	✓	✓	✓	401
9BMB24F201	9BMB24F202	9BMB24F201	9BMB24F2D01	9BMB24P2F01	97mm×33mm	—	✓	✓	✓	401
9BMB24G201	9BMB24G202	9BMB24G201	9BMB24G2D01	9BMB24P2G01	97mm×33mm	—	✓	✓	✓	401
9BMB24H201	9BMB24H202	9BMB24H201	9BMB24H2D01	9BMB24P2H01	97mm×33mm	—	✓	✓	✓	401
9BMB24K201	9BMB24K202	9BMB24K201	—	9BMB24P2K01	97mm×33mm	—	✓	✓	✓	401
9BMB24P2F01	9BMB24F202	9BMB24F201	9BMB24F2D01	9BMB24P2F01	97mm×33mm	—	✓	✓	✓	401
9BMB24P2G01	9BMB24G202	9BMB24G201	9BMB24G2D01	9BMB24P2G01	97mm×33mm	—	✓	✓	✓	401
9BMB24P2H01	9BMB24H202	9BMB24H201	9BMB24H2D01	9BMB24P2H01	97mm×33mm	—	✓	✓	✓	401
9BMB24P2K01	9BMB24K202	9BMB24K201	—	9BMB24P2K01	97mm×33mm	—	✓	✓	✓	401
9BMB24P2S01	9BMB24S202	9BMB24S201	—	9BMB24P2S01	97mm×33mm	—	✓	✓	✓	401
9BMB24S201	9BMB24S202	9BMB24S201	—	9BMB24P2S01	97mm×33mm	—	✓	✓	✓	401
9CR0612P5G03	9CR0612G502	9CR0612G501	—	9CR0612P5G03	60×60×51mm	—	✓	✓	✓	221
9CR0612P5H03	—	9CR0612H501	—	9CR0612P5H03	60×60×51mm	—	✓	✓	✓	221
9CR1212P0G03	9CR1212G002	9CR1212G001	—	9CR1212P0G03	120×120×76mm	—	✓	✓	✓	237
9CR5748P9G001	—	—	—	9CR5748P9G001	φ172mm×150mm×102mm	—	✓	✓	✓	239
9CRA0312P4J03	—	9CRA0312J401	—	9CRA0312P4J03	38×38×48mm	—	✓	✓	✓	209
9CRA0312P4K03	9CRA0312K402	—	—	9CRA0312P4K03	38×38×48mm	—	✓	✓	✓	209
9CRA0412P4G03	9CRA0412G402	—	—	9CRA0412P4G03	40×40×48mm	—	✓	✓	✓	211
9CRA0412P4J03	9CRA0412J402	9CRA0412J401	—	9CRA0412P4J03	40×40×48mm	—	✓	✓	✓	211
9CRA0412P4K03	9CRA0412K402	9CRA0412K401	—	9CRA0412P4K03	40×40×48mm	—	✓	✓	✓	211
9CRA0612P0G001	—	—	—	9CRA0612P0G001	60×60×76mm	—	✓	✓	✓	227
9CRA0612P0S001	—	—	—	9CRA0612P0S001	60×60×76mm	—	✓	✓	✓	227
9CRA0612P6G001	—	—	—	9CRA0612P6G001	60×60×56mm	—	✓	✓	✓	223
9CRA0612P6J001	—	—	—	9CRA0612P6J001	60×60×56mm	—	✓	✓	✓	223
9CRA0612P6K001	—	—	—	9CRA0612P6K001	60×60×56mm	—	✓	✓	✓	223
9CRA0812P8G001	—	9CRA0812G8001	—	9CRA0812P8G001	80×80×80mm	—	✓	✓	✓	233
9CRA0824P8G001	—	—	—	9CRA0824P8G001	80×80×80mm	—	✓	✓	✓	233
9CRA0848P8G001	—	—	—	9CRA0848P8G001	80×80×80mm	—	✓	✓	✓	233
9CRA0912P0G001	—	—	—	9CRA0912P0G001	92×92×76mm	—	✓	✓	✓	235
9CRA0948P0G601	—	—	—	9CRA0948P0G601	92×92×76mm	—	✓	✓	✓	235
9CRB0412P5J201	—	—	—	9CRB0412P5J201	40×40×56mm	—	✓	✓	✓	213
9CRB0412P5K001	—	—	—	9CRB0412P5K001	40×40×56mm	—	✓	✓	✓	213
9CRB0412P5S201	—	—	—	9CRB0412P5S201	40×40×56mm	—	✓	✓	✓	213
9CRB0812P8G001	—	—	—	9CRB0812P8G001	80×80×80mm	—	✓	✓	✓	229
9CRD0412P5G03	—	—	—	9CRD0412P5G03	40×40×56mm	—	✓	✓	✓	215
9CRD0412P5H03	—	—	—	9CRD0412P5H03	40×40×56mm	—	✓	✓	✓	215
9CRD0412P5J03	—	—	—	9CRD0412P5J03	40×40×56mm	—	✓	✓	✓	215
9CRD0412P5M03	—	—	—	9CRD0412P5M03	40×40×56mm	—	✓	✓	✓	215
9CRE0412P5J03	9CRE0412J502	—	—	9CRE0412P5J03	40×40×56mm	—	✓	✓	✓	219
9CRE0612P0G001	—	—	—	9CRE0612P0G001	60×60×76mm	—	✓	✓	✓	225
9CRE0812P8G001	—	—	—	9CRE0812P8G001	80×80×80mm	—	✓	✓	✓	231
9CRL0612P0G001	—	—	—	9CRL0612P0G001	60×60×76mm	No	✓	✓	✓	327
9CRL0812P8G001	—	—	—	9CRL0812P8G001	80×80×80mm	No	✓	✓	✓	333
9EC2024H001	9EC2024H002	9EC2024H001	9EC2024H0D01	—	φ200mm×70mm	No	✓	✓	✓	205
9EC2048A001	9EC2048A002	9EC2048A001	9EC2048A0D01	9EC2048P0A01	φ200mm×70mm	No	✓	✓	✓	205
9EC2048H001	9EC2048H002	9EC2048H001	—	—	φ200mm×70mm	No	✓	✓	✓	205
9EC2048J001	9EC2048J002	9EC2048J001	—	9EC2048P0J01	φ200mm×70mm	No	—	—	—	205
9G0612G101	9G0612G102	9G0612G101	9G0612G1D01	9G0612P1G03	60×60×38mm	Yes	✓	✓	✓	87
9G0612G1011	9G0612G1021	9G0612G1011	9G0612G1D011	9G0612P1G011	60×60×38mm	No	✓	✓	✓	87
9G0612P4H001	9G0612H4002	—	9G0612H4D001	9G0612P4H001	60×60×25mm	Yes	✓	✓	✓	69
9G0612P4H0011	9G0612H40021	9G0612H40011	—	9G0612P4H0011	60×60×25mm	No	✓	✓	✓	69

Models listed in the main section of this catalog	List of models (models not listed in the main section of this catalog are options. Standards for optional model numbers may differ from the certified standards listed at right. Contact us for details of models with "-" model numbers.)				Frame Size	Rib	Standard (certification status is for the models listed in this catalog, and standards for optional model numbers may differ.)			page
	Without sensor	With pulse sensor	With lock sensor	With PWM control function and pulse sensor			UL	CSA	TÜV	
							(cUL)	(cUL)		
9G0612P4S001	9G0612S4002	9G0612S4001	—	9G0612P4S001	60×60×25mm	Yes	✓	✓	✓	69
9G0612P4S0011	9G0612S40021	—	—	9G0612P4S0011	60×60×25mm	No	✓	✓	✓	69
9G0612S101	9G0612S102	9G0612S101	9G0612S1D01	—	60×60×38mm	Yes	✓	✓	✓	87
9G0612S1011	9G0612S1021	9G0612S1011	—	—	60×60×38mm	No	✓	✓	✓	87
9G0624G101	9G0624G102	9G0624G101	9G0624G1D01	9G0624P1G03	60×60×38mm	Yes	✓	✓	✓	87
9G0624G1011	9G0624G1021	9G0624G1011	9G0624G1D011	9G0624P1G031	60×60×38mm	No	✓	✓	✓	87
9G0624H101	9G0624H102	9G0624H101	9G0624H1D01	—	60×60×38mm	Yes	✓	✓	✓	87
9G0624H1011	9G0624H1021	9G0624H1011	—	—	60×60×38mm	No	✓	✓	✓	87
9G0624P4H001	9G0624H4002	9G0624H4001	9G0624H4D001	9G0624P4H001	60×60×25mm	Yes	✓	✓	✓	69
9G0624P4H0011	9G0624H40021	—	—	9G0624P4H0011	60×60×25mm	No	✓	✓	✓	69
9G0624P4S001	9G0624S4002	—	9G0624S4D001	9G0624P4S001	60×60×25mm	Yes	✓	✓	✓	69
9G0624P4S0011	—	—	—	9G0624P4S0011	60×60×25mm	No	✓	✓	✓	69
9G0624S101	9G0624S102	9G0624S101	9G0624S1D01	—	60×60×38mm	Yes	✓	✓	✓	87
9G0624S1011	9G0624S1021	9G0624S1011	—	—	60×60×38mm	No	✓	✓	✓	87
9G0648G101	9G0648G102	9G0648G101	9G0648G1D01	9G0648P1G01	60×60×38mm	Yes	✓	✓	✓	87
9G0648G1011	9G0648G1021	9G0648G1011	—	9G0648P1G011	60×60×38mm	No	✓	✓	✓	87
9G0648P4S001	—	—	—	9G0648P4S001	60×60×25mm	Yes	✓	✓	✓	69
9G0648P4S0011	—	—	—	9G0648P4S0011	60×60×25mm	No	✓	✓	✓	69
9G0648S101	9G0648S102	9G0648S101	9G0648S1D01	—	60×60×38mm	Yes	✓	✓	✓	87
9G0648S1011	9G0648S1021	9G0648S1011	—	—	60×60×38mm	No	✓	✓	✓	87
9G0812G101	9G0812G102	9G0812G101	9G0812G1D01	9G0812P1G04	80×80×38mm	Yes	✓	✓	✓	135
9G0812G1011	9G0812G1021	9G0812G1011	9G0812G1D011	9G0812P1G081	80×80×38mm	No	✓	✓	✓	135
9G0812H101	9G0812H102	9G0812H101	9G0812H1D01	9G0812P1H03	80×80×38mm	Yes	✓	✓	✓	135
9G0812H1011	9G0812H1021	9G0812H1011	9G0812H1D011	9G0812P1H051	80×80×38mm	No	✓	✓	✓	135
9G0812K101	9G0812K102	9G0812K101	9G0812K1D01	9G0812P1K08	80×80×38mm	Yes	✓	✓	✓	135
9G0812K1011	9G0812K1021	9G0812K1011	—	9G0812P1K081	80×80×38mm	No	✓	✓	✓	135
9G0824G101	9G0824G102	9G0824G101	9G0824G1D01	9G0824P1G04	80×80×38mm	Yes	✓	✓	✓	135
9G0824G1011	9G0824G1021	9G0824G1011	9G0824G1D011	—	80×80×38mm	No	✓	✓	✓	135
9G0824H101	9G0824H102	9G0824H101	9G0824H1D01	—	80×80×38mm	Yes	✓	✓	✓	135
9G0824H1011	9G0824H1021	9G0824H1011	9G0824H1D011	—	80×80×38mm	No	✓	✓	✓	135
9G0848G101	9G0848G102	9G0848G101	9G0848G1D01	9G0848P1G03	80×80×38mm	Yes	✓	✓	✓	135
9G0848G1011	9G0848G1021	9G0848G1011	9G0848G1D011	—	80×80×38mm	No	✓	✓	✓	135
9G0848H101	9G0848H102	9G0848H101	9G0848H1D01	9G0848P1H04	80×80×38mm	Yes	✓	✓	✓	135
9G0848H1011	9G0848H1021	9G0848H1011	—	—	80×80×38mm	No	✓	✓	✓	135
9G0912A201	9G0912A202	9G0912A201	9G0912A2D01	—	92×92×32mm	Yes	✓	✓	✓	145
9G0912A2011	9G0912A2021	9G0912A2011	9G0912A2D011	—	92×92×32mm	No	✓	✓	✓	145
9G0912G101	9G0912G102	9G0912G101	9G0912G1D01	9G0912P1G03	92×92×38mm	Yes	✓	✓	✓	155
9G0912G1011	9G0912G1021	9G0912G1011	—	9G0912P1G031	92×92×38mm	No	✓	✓	✓	155
9G0912H101	9G0912H102	9G0912H101	9G0912H1D01	9G0912P1H05	92×92×38mm	Yes	✓	✓	✓	155
9G0912H1011	9G0912H1021	9G0912H1011	9G0912H1D011	—	92×92×38mm	No	✓	✓	✓	155
9G0912H201	9G0912H202	9G0912H201	9G0912H2D01	9G0912P2H01	92×92×32mm	Yes	✓	✓	✓	145
9G0912H2011	9G0912H2021	9G0912H2011	9G0912H2D011	—	92×92×32mm	No	✓	✓	✓	145
9G0912M201	9G0912M202	9G0912M201	9G0912M2D01	—	92×92×32mm	Yes	✓	✓	✓	145
9G0912M2011	9G0912M2021	9G0912M2011	9G0912M2D011	—	92×92×32mm	No	✓	✓	✓	145
9G0912S201	9G0912S202	9G0912S201	9G0912S2D01	9G0912P2S01	92×92×32mm	Yes	✓	✓	✓	145
9G0912S2011	9G0912S2021	9G0912S2011	9G0912S2D011	—	92×92×32mm	No	✓	✓	✓	145
9G0924A201	9G0924A202	9G0924A201	9G0924A2D01	—	92×92×32mm	Yes	✓	✓	✓	145
9G0924A2011	9G0924A2021	9G0924A2011	9G0924A2D011	—	92×92×32mm	No	✓	✓	✓	145
9G0924G101	9G0924G102	9G0924G101	9G0924G1D01	—	92×92×38mm	Yes	✓	✓	✓	155
9G0924G1011	9G0924G1021	9G0924G1011	9G0924G1D011	—	92×92×38mm	No	✓	✓	✓	155
9G0924H101	9G0924H102	9G0924H101	9G0924H1D01	—	92×92×38mm	Yes	✓	✓	✓	155
9G0924H1011	9G0924H1021	9G0924H1011	9G0924H1D011	—	92×92×38mm	No	✓	✓	✓	155
9G0924H201	9G0924H202	9G0924H201	9G0924H2D01	—	92×92×32mm	Yes	✓	✓	✓	145
9G0924H2011	9G0924H2021	9G0924H2011	9G0924H2D011	—	92×92×32mm	No	✓	✓	✓	145
9G0924M201	9G0924M202	9G0924M201	9G0924M2D01	—	92×92×32mm	Yes	✓	✓	✓	145
9G0924M2011	9G0924M2021	9G0924M2011	9G0924M2D011	—	92×92×32mm	No	✓	✓	✓	145
9G0924S201	9G0924S202	9G0924S201	9G0924S2D01	—	92×92×32mm	Yes	✓	✓	✓	145
9G0924S2011	9G0924S2021	9G0924S2011	9G0924S2D011	—	92×92×32mm	No	✓	✓	✓	145
9G0948A201	9G0948A202	9G0948A201	9G0948A2D01	—	92×92×32mm	Yes	✓	✓	✓	145
9G0948A2011	9G0948A2021	9G0948A2011	9G0948A2D011	—	92×92×32mm	No	✓	✓	✓	145
9G0948G101	9G0948G102	9G0948G101	9G0948G1D01	—	92×92×38mm	Yes	✓	✓	✓	155
9G0948G1011	9G0948G1021	9G0948G1011	—	—	92×92×38mm	No	✓	✓	✓	155

Please contact your point of sale regarding low-speed sensors.

Models listed in the main section of this catalog	List of models (models not listed in the main section of this catalog are options. Standards for optional model numbers may differ from the certified standards listed at right. Contact us for details of models with "-" model numbers.)				Frame Size	Rib	Standard (certification status is for the models listed in this catalog, and standards for optional model numbers may differ.)			page
	Without sensor	With pulse sensor	With lock sensor	With PWM control function and pulse sensor			UL (cUL)	CSA (cUL)	TÜV	
							✓	✓	✓	
9G0948H101	9G0948H102	9G0948H101	9G0948H1D01	—	92×92×38mm	Yes	✓	✓	✓	155
9G0948H1011	—	9G0948H1011	—	—	92×92×38mm	No	✓	✓	✓	155
9G0948H201	9G0948H202	9G0948H201	9G0948H2D01	—	92×92×32mm	Yes	✓	✓	✓	145
9G0948H2011	9G0948H2021	9G0948H2011	9G0948H2D011	—	92×92×32mm	No	✓	✓	✓	145
9G0948J101	—	9G0948J101	—	—	92×92×38mm	Yes	✓	✓	✓	155
9G0948J1011	—	9G0948J1011	—	9G0948P1J031	92×92×38mm	No	✓	✓	✓	155
9G0948M201	9G0948M202	9G0948M201	9G0948M2D01	—	92×92×32mm	Yes	✓	✓	✓	145
9G0948M2011	9G0948M2021	9G0948M2011	9G0948M2D011	—	92×92×32mm	No	✓	✓	✓	145
9G0948S201	9G0948S202	9G0948S201	9G0948S2D01	—	92×92×32mm	Yes	✓	✓	✓	145
9G0948S2011	9G0948S2021	9G0948S2011	9G0948S2D011	—	92×92×32mm	No	✓	✓	✓	145
9G1212A401	9G1212A402	9G1212A401	9G1212A4D01	—	120×120×25mm	Yes	✓	✓	✓	163
9G1212A4011	9G1212A4021	9G1212A4011	9G1212A4D011	—	120×120×25mm	No	✓	✓	✓	163
9G1212B401	—	9G1212B401	—	—	120×120×25mm	Yes	—	—	—	163
9G1212B4011	—	9G1212B4011	—	—	120×120×25mm	No	—	—	—	163
9G1212E101	9G1212E102	9G1212E101	9G1212E1D01	—	120×120×38mm	Yes	✓	✓	✓	173
9G1212E1011	9G1212E1021	9G1212E1011	9G1212E1D011	—	120×120×38mm	No	✓	✓	✓	173
9G1212E401	9G1212E402	9G1212E401	9G1212E4D01	9G1212P4E05	120×120×25mm	Yes	✓	✓	✓	163
9G1212E4011	9G1212E4021	9G1212E4011	9G1212E4D011	9G1212P4E041	120×120×25mm	No	✓	✓	✓	163
9G1212F101	9G1212F102	9G1212F101	—	—	120×120×38mm	Yes	✓	✓	✓	173
9G1212F1011	9G1212F1021	9G1212F1011	—	—	120×120×38mm	No	✓	✓	✓	173
9G1212F401	9G1212F402	9G1212F401	9G1212F4D01	—	120×120×25mm	Yes	✓	✓	✓	163
9G1212F4011	9G1212F4021	9G1212F4011	9G1212F4D011	—	120×120×25mm	No	✓	✓	✓	163
9G1212G101	9G1212G102	9G1212G101	9G1212G1D01	9G1212P1G04	120×120×38mm	Yes	✓	✓	✓	173
9G1212G1011	9G1212G1021	9G1212G1011	9G1212G1D011	9G1212P1G081	120×120×38mm	No	✓	✓	✓	173
9G1212G401	9G1212G402	9G1212G401	9G1212G4D01	9G1212P4G03	120×120×25mm	Yes	✓	✓	✓	163
9G1212G4011	9G1212G4021	9G1212G4011	9G1212G4D011	9G1212P4G031	120×120×25mm	No	✓	✓	✓	163
9G1212H101	9G1212H102	9G1212H101	9G1212H1D01	—	120×120×38mm	Yes	✓	✓	✓	173
9G1212H1011	9G1212H1021	9G1212H1011	9G1212H1D011	—	120×120×38mm	No	✓	✓	✓	173
9G1212H401	9G1212H402	9G1212H401	9G1212H4D01	9G1212P4H04	120×120×25mm	Yes	✓	✓	✓	163
9G1212H4011	9G1212H4021	9G1212H4011	9G1212H4D011	9G1212P4H091	120×120×25mm	No	✓	✓	✓	163
9G1212M101	9G1212M102	9G1212M101	9G1212M1D01	—	120×120×38mm	Yes	✓	✓	✓	173
9G1212M1011	9G1212M1021	9G1212M1011	9G1212M1D011	—	120×120×38mm	No	✓	✓	✓	173
9G1212M401	9G1212M402	9G1212M401	9G1212M4D01	—	120×120×25mm	Yes	✓	✓	✓	163
9G1212M4011	9G1212M4021	9G1212M4011	9G1212M4D011	—	120×120×25mm	No	✓	✓	✓	163
9G1224A401	9G1224A402	9G1224A401	9G1224A4D01	—	120×120×25mm	Yes	✓	✓	✓	163
9G1224A4011	9G1224A4021	9G1224A4011	9G1224A4D011	—	120×120×25mm	No	✓	✓	✓	163
9G1224E101	9G1224E102	9G1224E101	9G1224E1D01	—	120×120×38mm	Yes	✓	✓	✓	173
9G1224E1011	9G1224E1021	9G1224E1011	9G1224E1D011	—	120×120×38mm	No	✓	✓	✓	173
9G1224E401	9G1224E402	9G1224E401	9G1224E4D01	9G1224P4E01	120×120×25mm	Yes	✓	✓	✓	163
9G1224E4011	9G1224E4021	9G1224E4011	9G1224E4D011	—	120×120×25mm	No	✓	✓	✓	163
9G1224F101	9G1224F102	9G1224F101	9G1224F1D01	—	120×120×38mm	Yes	✓	✓	✓	173
9G1224F1011	9G1224F1021	9G1224F1011	—	—	120×120×38mm	No	✓	✓	✓	173
9G1224F401	9G1224F402	9G1224F401	9G1224F4D01	—	120×120×25mm	Yes	✓	✓	✓	163
9G1224F4011	9G1224F4021	9G1224F4011	9G1224F4D011	—	120×120×25mm	No	✓	✓	✓	163
9G1224G101	9G1224G102	9G1224G101	9G1224G1D01	9G1224P1G01	120×120×38mm	Yes	✓	✓	✓	173
9G1224G1011	9G1224G1021	9G1224G1011	9G1224G1D011	—	120×120×38mm	No	✓	✓	✓	173
9G1224G401	9G1224G402	9G1224G401	9G1224G4D01	—	120×120×25mm	Yes	✓	✓	✓	163
9G1224G4011	9G1224G4021	9G1224G4011	9G1224G4D011	—	120×120×25mm	No	✓	✓	✓	163
9G1224H101	9G1224H102	9G1224H101	9G1224H1D01	—	120×120×38mm	Yes	✓	✓	✓	173
9G1224H1011	9G1224H1021	9G1224H1011	9G1224H1D011	—	120×120×38mm	No	✓	✓	✓	173
9G1224H401	9G1224H402	9G1224H401	9G1224H4D01	—	120×120×25mm	Yes	✓	✓	✓	163
9G1224H4011	9G1224H4021	9G1224H4011	9G1224H4D011	—	120×120×25mm	No	✓	✓	✓	163
9G1224M101	9G1224M102	9G1224M101	9G1224M1D01	—	120×120×38mm	Yes	✓	✓	✓	173
9G1224M1011	9G1224M1021	9G1224M1011	9G1224M1D011	—	120×120×38mm	No	✓	✓	✓	173
9G1224M401	9G1224M402	9G1224M401	9G1224M4D01	—	120×120×25mm	Yes	✓	✓	✓	163
9G1224M4011	9G1224M4021	9G1224M4011	9G1224M4D011	—	120×120×25mm	No	✓	✓	✓	163
9G1248A401	9G1248A402	9G1248A401	9G1248A4D01	—	120×120×25mm	Yes	✓	✓	✓	163
9G1248A4011	9G1248A4021	9G1248A4011	9G1248A4D011	—	120×120×25mm	No	✓	✓	✓	163
9G1248E101	9G1248E102	9G1248E101	9G1248E1D01	—	120×120×38mm	Yes	✓	✓	✓	173
9G1248E1011	9G1248E1021	9G1248E1011	9G1248E1D011	—	120×120×38mm	No	✓	✓	✓	173
9G1248E401	9G1248E402	9G1248E401	9G1248E4D01	9G1248P4E05	120×120×25mm	Yes	✓	✓	✓	163
9G1248E4011	9G1248E4021	9G1248E4011	9G1248E4D011	—	120×120×25mm	No	✓	✓	✓	163

Models listed in the main section of this catalog	List of models (models not listed in the main section of this catalog are options. Standards for optional model numbers may differ from the certified standards listed at right. Contact us for details of models with "-" model numbers.)				Frame Size	Rib	Standard (certification status is for the models listed in this catalog, and standards for optional model numbers may differ.)			page
	Without sensor	With pulse sensor	With lock sensor	With PWM control function and pulse sensor			UL (cUL)	CSA (cUL)	TÜV	
							✓	✓	✓	
9G1248F101	9G1248F102	9G1248F101	9G1248F1D01	—	120×120×38mm	Yes	✓	✓	✓	173
9G1248F1011	9G1248F1021	9G1248F1011	—	—	120×120×38mm	No	✓	✓	✓	173
9G1248F401	9G1248F402	9G1248F401	9G1248F4D01	—	120×120×25mm	Yes	✓	✓	✓	163
9G1248F4011	9G1248F4021	9G1248F4011	9G1248F4D011	—	120×120×25mm	No	✓	✓	✓	163
9G1248G101	9G1248G102	9G1248G101	9G1248G1D01	9G1248P1G04	120×120×38mm	Yes	✓	✓	✓	173
9G1248G1011	9G1248G1021	9G1248G1011	9G1248G1D011	9G1248P1G041	120×120×38mm	No	✓	✓	✓	173
9G1248G401	9G1248G402	9G1248G401	9G1248G4D01	9G1248P4G04	120×120×25mm	Yes	✓	✓	✓	163
9G1248G4011	9G1248G4021	9G1248G4011	9G1248G4D011	—	120×120×25mm	No	✓	✓	✓	163
9G1248H101	9G1248H102	9G1248H101	9G1248H1D01	—	120×120×38mm	Yes	✓	✓	✓	173
9G1248H1011	9G1248H1021	9G1248H1011	9G1248H1D011	—	120×120×38mm	No	✓	✓	✓	173
9G1248H401	9G1248H402	9G1248H401	9G1248H4D01	—	120×120×25mm	Yes	✓	✓	✓	163
9G1248H4011	9G1248H4021	9G1248H4011	9G1248H4D011	—	120×120×25mm	No	✓	✓	✓	163
9G1248M101	9G1248M102	9G1248M101	9G1248M1D01	—	120×120×38mm	Yes	✓	✓	✓	173
9G1248M1011	9G1248M1021	9G1248M1011	9G1248M1D011	—	120×120×38mm	No	✓	✓	✓	173
9G1248M401	9G1248M402	9G1248M401	9G1248M4D01	—	120×120×25mm	Yes	✓	✓	✓	163
9G1248M4011	9G1248M4021	9G1248M4011	9G1248M4D011	—	120×120×25mm	No	✓	✓	✓	163
9GA0312P3G001	—	9GA0312G3001	—	9GA0312P3G001	38×38×28mm	Yes	✓	✓	✓	13
9GA0312P3G0011	—	—	—	9GA0312P3G0011	38×38×28mm	No	✓	✓	✓	13
9GA0312P3J001	—	9GA0312J3001	—	9GA0312P3J001	38×38×28mm	Yes	✓	✓	✓	13
9GA0312P3J0011	—	—	—	9GA0312P3J0011	38×38×28mm	No	✓	✓	✓	13
9GA0312P3K001	—	9GA0312K3001	—	9GA0312P3K001	38×38×28mm	Yes	✓	✓	✓	13
9GA0312P3K0011	—	—	—	9GA0312P3K0011	38×38×28mm	No	✓	✓	✓	13
9GA0405P6F001	9GA0405F6002	9GA0405F6001	—	9GA0405P6F001	40×40×20mm	Yes	✓	✓	✓	23
9GA0405P6H001	9GA0405H6002	9GA0405H6001	—	9GA0405P6H001	40×40×20mm	Yes	✓	✓	✓	23
9GA0412G7001	9GA0412G7002	9GA0412G7001	9GA0412G7D001	9GA0412P7G001	40×40×15mm	Yes	✓	✓	✓	19
9GA0412H7001	9GA0412H7002	9GA0412H7001	9GA0412H7D001	—	40×40×15mm	Yes	✓	✓	✓	19
9GA0412P3G01	9GA0412G302	9GA0412G301	—	9GA0412P3G01	40×40×28mm	Yes	✓	✓	✓	35
9GA0412P3G011	9GA0412G3021	9GA0412G3011	—	9GA0412P3G011	40×40×28mm	No	✓	✓	✓	35
9GA0412P3H01	9GA0412H302	9GA0412H301	9GA0412H3D01	9GA0412P3H01	40×40×28mm	Yes	✓	✓	✓	35
9GA0412P3H011	9GA0412H3021	9GA0412H3011	9GA0412H3D011	9GA0412P3H011	40×40×28mm	No	✓	✓	✓	35
9GA0412P3J01	9GA0412J302	9GA0412J301	9GA0412J3D01	9GA0412P3J01	40×40×28mm	Yes	✓	✓	✓	35
9GA0412P3J011	9GA0412J3021	9GA0412J3011	—	9GA0412P3J011	40×40×28mm	No	✓	✓	✓	35
9GA0412P3K01	9GA0412K302	9GA0412K301	9GA0412K3D01	9GA0412P3K01	40×40×28mm	Yes	✓	✓	✓	35
9GA0412P3K011	9GA0412K3021	9GA0412K3011	—	9GA0412P3K011	40×40×28mm	No	✓	✓	✓	35
9GA0412P3M01	9GA0412M302	9GA0412M301	9GA0412M3D01	9GA0412P3M01	40×40×28mm	Yes	✓	✓	✓	35
9GA0412P3M011	9GA0412M3021	9GA0412M3011	—	9GA0412P3M011	40×40×28mm	No	✓	✓	✓	35
9GA0412P6F001	9GA0412F6002	9GA0412F6001	—	9GA0412P6F001	40×40×20mm	Yes	✓	✓	✓	23
9GA0412P6G001	9GA0412G6002	9GA0412G6001	—	9GA0412P6G001	40×40×20mm	Yes	✓	✓	✓	23
9GA0412P6H001	9GA0412H6002	9GA0412H6001	—	9GA0412P6H001	40×40×20mm	Yes	✓	✓	✓	23
9GA0412P7G001	9GA0412G7002	9GA0412G7001	9GA0412G7D001	9GA0412P7G001	40×40×15mm	Yes	✓	✓	✓	19
9GA0424P3G001	9GA0424G3002	9GA0424G3001	9GA0424G3D001	9GA0424P3G001	40×40×28mm	Yes	✓	✓	✓	35
9GA0424P3G0011	9GA0424G30021	9GA0424G30011	—	9GA0424P3G0011	40×40×28mm	No	✓	✓	✓	35
9GA0424P3H001	9GA0424H3002	9GA0424H3001	9GA0424H3D001	9GA0424P3H001	40×40×28mm	Yes	✓	✓	✓	35
9GA0424P3H0011	9GA0424H30021	9GA0424H30011	—	9GA0424P3H0011	40×40×28mm	No	✓	✓	✓	35
9GA0424P3J001	9GA0424J3002	9GA0424J3001	9GA0424J3D001	9GA0424P3J001	40×40×28mm	Yes	✓	✓	✓	35
9GA0424P3J0011	9GA0424J30021	9GA0424J30011	—	9GA0424P3J0011	40×40×28mm	No	✓	✓	✓	35
9GA0424P3M001	9GA0424M3002	9GA0424M3001	—	9GA0424P3M001	40×40×28mm	Yes	✓	✓	✓	35
9GA0424P3M0011	9GA0424M30021	9GA0424M30011	9GA0424M3D001	9GA0424P3M0011	40×40×28mm	No	✓	✓	✓	35
9GA0424P6F001	9GA0424F6002	9GA0424F6001	—	9GA0424P6F001	40×40×20mm	Yes	✓	✓	✓	23
9GA0424P6G001	9GA0424G6002	9GA0424G6001	9GA0424G6D001	9GA0424P6G001	40×40×20mm	Yes	✓	✓	✓	23
9GA0424P6H001	9GA0424H6002	9GA0424H6001	9GA0424H6D001	9GA0424P6H001	40×40×20mm	Yes	✓	✓	✓	23
9GA0512P7A001	9GA0512A7002	9GA0512A7001	—	9GA0512P7A001	52×52×15mm	Yes	✓	✓	✓	47
9GA0512P7G001	9GA0512G7002	9GA0512G7001	—	9GA0512P7G001	52×52×15mm	Yes	✓	✓	✓	47
9GA0512P7H001	9GA0512H7002	9GA0512H7001	—	9GA0512P7H001	52×52×15mm	Yes	✓	✓	✓	47
9GA0512P7M001	9GA0512M7002	9GA0512M7001	—	9GA0512P7M001	52×52×15mm	Yes	✓	✓	✓	47
9GA0524P7A001	9GA0524A7002	9GA0524A7001	—	9GA0524P7A001	52×52×15mm	Yes	✓	✓	✓	47
9GA0524P7G001	9GA0524G7002	9GA0524G7001	—	9GA0524P7G001	52×52×15mm	Yes	✓	✓	✓	47
9GA0524P7H001	9GA0524H7002	9GA0524H7001	—	9GA0524P7H001	52×52×15mm	Yes	✓	✓	✓	47
9GA0524P7M001	9GA0524M7002	9GA0524M7001	—	9GA0524P7M001	52×52×15mm	Yes	✓	✓	✓	47
9GA0612G701	9GA0612G702	9GA0612G701	9GA0612G7D01	9GA0612P7G01	60×60×15mm	Yes	✓	✓	✓	55
9GA0612G9001	9GA0612G9002	9GA0612G9001	9GA0612G9D001	9GA0612P9G001	60×60×10mm	No	✓	✓	✓	53
9GA0612H6001	9GA0612H6002	9GA0612H6001	9GA0612H6D001	—	60×60×20mm	Yes	✓	✓	✓	61

Please contact your point of sale regarding low-speed sensors.

Models listed in the main section of this catalog	List of models (models not listed in the main section of this catalog are options. Standards for optional model numbers may differ from the certified standards listed at right. Contact us for details of models with "-" model numbers.)				Frame Size	Rib	Standard (certification status is for the models listed in this catalog, and standards for optional model numbers may differ.)			page
	Without sensor	With pulse sensor	With lock sensor	With PWM control function and pulse sensor			UL (cUL)	CSA (cUL)	TÜV	
							✓	✓	✓	
9GA0612H701	9GA0612H702	9GA0612H701	9GA0612H7D01	9GA0612P7H01	60×60×15mm	Yes	✓	✓	✓	55
9GA0612H9001	9GA0612H9002	9GA0612H9001	9GA0612H9D001	—	60×60×10mm	No	✓	✓	✓	53
9GA0612L701	9GA0612L702	9GA0612L701	9GA0612L7D01	—	60×60×15mm	Yes	✓	✓	✓	55
9GA0612L9001	9GA0612L9002	9GA0612L9001	9GA0612L9D001	—	60×60×10mm	No	✓	✓	✓	53
9GA0612M6001	9GA0612M6002	9GA0612M6001	9GA0612M6D001	—	60×60×20mm	Yes	✓	✓	✓	61
9GA0612M701	9GA0612M702	9GA0612M701	—	—	60×60×15mm	Yes	✓	✓	✓	55
9GA0612P1H03	9GA0612H102	9GA0612H101	—	9GA0612P1H03	60×60×38mm	Yes	✓	✓	✓	79
9GA0612P1H031	9GA0612H1021	9GA0612H1011	—	9GA0612P1H031	60×60×38mm	No	✓	✓	✓	79
9GA0612P1J03	9GA0612J102	9GA0612J101	9GA0612J1D01	9GA0612P1J03	60×60×38mm	Yes	✓	✓	✓	79
9GA0612P1J031	9GA0612J1021	9GA0612J1011	—	9GA0612P1J031	60×60×38mm	No	✓	✓	✓	79
9GA0612P1K03	9GA0612K102	9GA0612K101	9GA0612K1D011	9GA0612P1K03	60×60×38mm	Yes	✓	✓	✓	79
9GA0612P1K031	9GA0612K1021	9GA0612K1011	—	9GA0612P1K031	60×60×38mm	No	✓	✓	✓	79
9GA0612P1K60	—	—	—	9GA0612P1K60	60×60×38mm	Yes	✓	✓	✓	79
9GA0612P1K601	—	—	—	9GA0612P1K601	60×60×38mm	No	✓	✓	✓	79
9GA0612P6G001	9GA0612G6002	9GA0612G6001	—	9GA0612P6G001	60×60×20mm	Yes	✓	✓	✓	61
9GA0612P6S001	9GA0612S6002	9GA0612S6001	—	9GA0612P6S001	60×60×20mm	Yes	✓	✓	✓	61
9GA0612P7G01	9GA0612G702	9GA0612G701	9GA0612G7D01	9GA0612P7G01	60×60×15mm	Yes	✓	✓	✓	55
9GA0612P7H01	9GA0612H702	9GA0612H701	9GA0612H7D01	9GA0612P7H01	60×60×15mm	Yes	✓	✓	✓	55
9GA0624H6001	9GA0624H6002	9GA0624H6001	9GA0624H6D001	—	60×60×20mm	Yes	✓	✓	✓	61
9GA0624M6001	9GA0624M6002	9GA0624M6001	9GA0624M6D001	—	60×60×20mm	Yes	✓	✓	✓	61
9GA0624P1J03	9GA0624J102	9GA0624J101	—	9GA0624P1J03	60×60×38mm	Yes	✓	✓	✓	79
9GA0624P1J031	9GA0624J1021	9GA0624J1011	—	9GA0624P1J031	60×60×38mm	No	✓	✓	✓	79
9GA0624P1K03	—	—	—	9GA0624P1K03	60×60×38mm	Yes	✓	✓	✓	79
9GA0624P1K031	—	—	—	9GA0624P1K031	60×60×38mm	No	✓	✓	✓	79
9GA0624P6G001	9GA0624G6002	—	—	9GA0624P6G001	60×60×20mm	Yes	✓	✓	✓	61
9GA0624P6S001	9GA0624S6002	—	—	9GA0624P6S001	60×60×20mm	Yes	✓	✓	✓	61
9GA0624P7G01	9GA0624G702	—	—	9GA0624P7G01	60×60×15mm	Yes	—	—	✓	55
9GA0712P1G001	—	—	—	9GA0712P1G001	70×70×38mm	Yes	✓	✓	✓	89
9GA0712P1G0011	—	—	—	9GA0712P1G0011	70×70×38mm	No	✓	✓	✓	89
9GA0712P1H001	—	—	—	9GA0712P1H001	70×70×38mm	Yes	✓	✓	✓	89
9GA0712P1H0011	—	—	—	9GA0712P1H0011	70×70×38mm	No	✓	✓	✓	89
9GA0812H7001	—	9GA0812H7001	9GA0812H7D001	—	80×80×15mm	Yes	—	—	—	91
9GA0812P1G61	—	—	—	9GA0812P1G61	80×80×38mm	Yes	✓	✓	✓	127
9GA0812P1G611	—	—	—	9GA0812P1G611	80×80×38mm	No	✓	✓	✓	127
9GA0812P1H61	9GA0812H162	9GA0812H161	9GA0812H1D61	9GA0812P1H61	80×80×38mm	Yes	✓	✓	✓	127
9GA0812P1H611	9GA0812H1621	9GA0812H1611	—	9GA0812P1H611	80×80×38mm	No	✓	✓	✓	127
9GA0812P1S61	9GA0812S162	9GA0812S161	9GA0812S1D61	9GA0812P1S61	80×80×38mm	Yes	✓	✓	✓	127
9GA0812P1S611	9GA0812S1621	9GA0812S1611	—	9GA0812P1S611	80×80×38mm	No	✓	✓	✓	127
9GA0812P2H001	—	—	—	9GA0812P2H001	80×80×32mm	Yes	✓	✓	✓	117
9GA0812P2H0011	—	—	—	9GA0812P2H0011	80×80×32mm	No	✓	✓	✓	117
9GA0812P2M001	—	—	—	9GA0812P2M001	80×80×32mm	Yes	✓	✓	✓	117
9GA0812P2M0011	—	—	—	9GA0812P2M0011	80×80×32mm	No	✓	✓	✓	117
9GA0812P2S001	—	9GA0812S2001	—	9GA0812P2S001	80×80×32mm	Yes	✓	✓	✓	117
9GA0812P2S0011	—	—	—	9GA0812P2S0011	80×80×32mm	No	✓	✓	✓	117
9GA0812P4G001	9GA0812G4002	9GA0812G4001	—	9GA0812P4G001	80×80×25mm	Yes	✓	✓	✓	101
9GA0812P4G0011	9GA0812G40021	9GA0812G40011	—	9GA0812P4G0011	80×80×25mm	No	✓	✓	✓	101
9GA0812P4H001	9GA0812H4002	9GA0812H4001	—	9GA0812P4H001	80×80×25mm	Yes	✓	✓	✓	101
9GA0812P4H0011	9GA0812H40021	9GA0812H40011	—	9GA0812P4H0011	80×80×25mm	No	✓	✓	✓	101
9GA0812P4J001	9GA0812J4002	9GA0812J4001	9GA0812J4D001	9GA0812P4J001	80×80×25mm	Yes	✓	✓	✓	101
9GA0812P4J0011	9GA0812J40021	9GA0812J40011	—	9GA0812P4J0011	80×80×25mm	No	✓	✓	✓	101
9GA0812P6G001	9GA0812G6002	9GA0812G6001	—	9GA0812P6G001	80×80×20mm	Yes	✓	✓	✓	97
9GA0812P6M001	9GA0812M6002	9GA0812M6001	—	9GA0812P6M001	80×80×20mm	Yes	✓	✓	✓	97
9GA0812P7G001	—	—	—	9GA0812P7G001	80×80×15mm	Yes	✓	✓	✓	91
9GA0812P7S001	—	—	—	9GA0812P7S001	80×80×15mm	Yes	✓	✓	✓	91
9GA0824H7001	9GA0824H7002	9GA0824H7001	9GA0824H7D001	—	80×80×15mm	Yes	✓	✓	✓	91
9GA0824P1H61	9GA0824H162	9GA0824H161	—	9GA0824P1H61	80×80×38mm	Yes	✓	✓	✓	127
9GA0824P1H611	9GA0824H1621	9GA0824H1611	—	9GA0824P1H611	80×80×38mm	No	✓	✓	✓	127
9GA0824P1S61	9GA0824S162	9GA0824S161	—	9GA0824P1S61	80×80×38mm	Yes	✓	✓	✓	127
9GA0824P1S611	9GA0824S1621	9GA0824S1611	—	9GA0824P1S611	80×80×38mm	No	✓	✓	✓	127
9GA0824P2S001	9GA0824S2002	—	—	9GA0824P2S001	80×80×32mm	Yes	✓	✓	✓	117
9GA0824P2S0011	—	—	—	9GA0824P2S0011	80×80×32mm	No	✓	✓	✓	117
9GA0824P4G001	9GA0824G4002	9GA0824G4001	—	9GA0824P4G001	80×80×25mm	Yes	✓	✓	✓	101

Models listed in the main section of this catalog	List of models (models not listed in the main section of this catalog are options. Standards for optional model numbers may differ from the certified standards listed at right. Contact us for details of models with "-" model numbers.)				Frame Size	Rib	Standard (certification status is for the models listed in this catalog, and standards for optional model numbers may differ.)			page
	Without sensor	With pulse sensor	With lock sensor	With PWM control function and pulse sensor			UL (cUL)	CSA (cUL)	TÜV	
							✓	✓	✓	
9GA0824P4G0011	9GA0824G40021	9GA0824G40011	—	9GA0824P4G0011	80×80×25mm	No	✓	✓	✓	101
9GA0824P4H001	9GA0824H4002	9GA0824H4001	—	9GA0824P4H001	80×80×25mm	Yes	✓	✓	✓	101
9GA0824P4H0011	9GA0824H40021	9GA0824H40011	—	9GA0824P4H0011	80×80×25mm	No	✓	✓	✓	101
9GA0824P4J001	9GA0824J4002	9GA0824J4001	9GA0824J4D001	9GA0824P4J001	80×80×25mm	Yes	✓	✓	✓	101
9GA0824P4J0011	9GA0824J40021	9GA0824J40011	—	9GA0824P4J0011	80×80×25mm	No	✓	✓	✓	101
9GA0824P6G001	9GA0824G6002	9GA0824G6001	—	9GA0824P6G001	80×80×20mm	Yes	✓	✓	✓	97
9GA0824P6M001	9GA0824M6002	9GA0824M6001	—	9GA0824P6M001	80×80×20mm	Yes	✓	✓	✓	97
9GA0824P7G001	—	—	—	9GA0824P7G001	80×80×15mm	Yes	✓	✓	✓	91
9GA0824P7S001	—	—	—	9GA0824P7S001	80×80×15mm	Yes	✓	✓	✓	91
9GA0848P1S61	—	—	—	9GA0848P1S61	80×80×38mm	Yes	✓	✓	✓	127
9GA0848P1S611	—	—	—	—	80×80×38mm	No	✓	✓	✓	127
9GA0848P2S001	—	—	—	9GA0848P2S001	80×80×32mm	Yes	✓	✓	✓	117
9GA0848P2S0011	—	—	—	—	80×80×32mm	No	✓	✓	✓	117
9GA0912P1H03	9GA0912H102	9GA0912H101	9GA0912H1D01	9GA0912P1H03	92×92×38mm	Yes	✓	✓	✓	147
9GA0912P1H031	9GA0912H1021	9GA0912H1011	—	9GA0912P1H031	92×92×38mm	No	✓	✓	✓	147
9GA0912P4G03	9GA0912G402	9GA0912G401	9GA0912G4D01	9GA0912P4G03	92×92×25mm	Yes	✓	✓	✓	137
9GA0912P4G031	9GA0912G4021	9GA0912G4011	—	9GA0912P4G031	92×92×25mm	No	✓	✓	✓	137
9GA0912P4J03	9GA0912J402	9GA0912J401	9GA0912J4D01	9GA0912P4J03	92×92×25mm	Yes	✓	✓	✓	137
9GA0912P4J031	9GA0912J4021	9GA0912J4011	—	9GA0912P4J031	92×92×25mm	No	✓	✓	✓	137
9GA0912P4S03	9GA0912S402	9GA0912S401	—	9GA0912P4S03	92×92×25mm	Yes	✓	✓	✓	137
9GA0912P4S031	9GA0912S4021	9GA0912S4011	—	9GA0912P4S031	92×92×25mm	No	✓	✓	✓	137
9GA0924P1H01	9GA0924H102	9GA0924H101	9GA0924H1D01	9GA0924P1H01	92×92×38mm	Yes	✓	✓	✓	147
9GA0924P1H011	—	9GA0924H1011	9GA0924H1D011	9GA0924P1H011	92×92×38mm	No	✓	✓	✓	147
9GA0924P4G03	9GA0924G402	9GA0924G401	9GA0924G4D01	9GA0924P4G03	92×92×25mm	Yes	✓	✓	✓	137
9GA0924P4G031	9GA0924G4021	9GA0924G4011	—	9GA0924P4G031	92×92×25mm	No	✓	✓	✓	137
9GA0924P4J03	9GA0924J402	9GA0924J401	9GA0924J4D01	9GA0924P4J03	92×92×25mm	Yes	✓	✓	✓	137
9GA0924P4J031	9GA0924J4021	9GA0924J4011	—	9GA0924P4J031	92×92×25mm	No	✓	✓	✓	137
9GA0924P4S03	9GA0924S402	9GA0924S401	—	9GA0924P4S03	92×92×25mm	Yes	✓	✓	✓	137
9GA0924P4S031	9GA0924S4021	9GA0924S4011	—	9GA0924P4S031	92×92×25mm	No	✓	✓	✓	137
9GA0948P1H03	9GA0948H102	9GA0948H101	—	9GA0948P1H03	92×92×38mm	Yes	✓	✓	✓	147
9GA0948P1H031	—	—	—	9GA0948P1H031	92×92×38mm	No	✓	✓	✓	147
9GAX0412P3K001	—	—	—	9GAX0412P3K001	40×40×28mm	Yes	✓	✓	✓	33
9GAX0412P3K0011	—	—	—	9GAX0412P3K0011	40×40×28mm	No	✓	✓	✓	33
9GAX0412P3K003	—	—	—	9GAX0412P3K003	40×40×28mm	Yes	✓	✓	✓	33
9GAX0412P3K0031	—	—	—	9GAX0412P3K0031	40×40×28mm	No	✓	✓	✓	33
9GAX0412P3S001	—	—	—	9GAX0412P3S001	40×40×28mm	Yes	✓	✓	✓	33
9GAX0412P3S0011	—	—	—	9GAX0412P3S0011	40×40×28mm	No	✓	✓	✓	33
9GAX0412P3S003	—	—	—	9GAX0412P3S003	40×40×28mm	Yes	✓	✓	✓	33
9GAX0412P3S0031	—	—	—	9GAX0412P3S0031	40×40×28mm	No	✓	✓	✓	33
9GE0412P3G03	—	—	9GE0412G3D01	9GE0412P3G03	40×40×28mm	No	✓	✓	✓	39
9GE0412P3J03	—	9GE0412J301	9GE0412J3D01	9GE0412P3J03	40×40×28mm	No	✓	✓	✓	39
9GE0412P3K03	—	9GE0412K301	9GE0412K3D01	9GE0412P3K03	40×40×28mm	No	✓	✓	✓	39
9GL1212E101	9GL1212E102	9GL1212E101	9GL1212E1D01	—	120×120×38mm	No	✓	✓	✓	345
9GL1212F101	9GL1212F102	9GL1212F101	9GL1212F1D01	—	120×120×38mm	No	✓	✓	✓	345
9GL1212G101	9GL1212G102	9GL1212G101	9GL1212G1D01	—	120×120×38mm	No	✓	✓	✓	345
9GL1212H101	9GL1212H102	9GL1212H101	9GL1212H1D01	—	120×120×38mm	No	✓	✓	✓	345
9GL1212M101	9GL1212M102	9GL1212M101	9GL1212M1D01	—	120×120×38mm	No	✓	✓	✓	345
9GL1224E101	9GL1224E102	9GL1224E101	9GL1224E1D01	—	120×120×38mm	No	✓	✓	✓	345
9GL1224F101	9GL1224F102	9GL1224F101	9GL1224F1D01	—	120×120×38mm	No	✓	✓	✓	345
9GL1224G101	9GL1224G102	9GL1224G101	9GL1224G1D01	—	120×120×38mm	No	✓	✓	✓	345
9GL1224H101	9GL1224H102	9GL1224H101	9GL1224H1D01	—	120×120×38mm	No	✓	✓	✓	345
9GL1224M101	9GL1224M102	9GL1224M101	9GL1224M1D01	—	120×120×38mm	No	✓	✓	✓	345
9GL1248E101	9GL1248E102	9GL1248E101	9GL1248E1D01	—	120×120×38mm	No	✓	✓	✓	345
9GL1248F101	9GL1248F102	9GL1248F101	9GL1248F1D01	—	120×120×38mm	No	✓	✓	✓	345
9GL1248G101	9GL1248G102	9GL1248G101	9GL1248G1D01	—	120×120×38mm	No	✓	✓	✓	345
9GL1248H101	9GL1248H102	9GL1248H101	9GL1248H1D01	—	120×120×38mm	No	✓	✓	✓	345
9GL1248M101	9GL1248M102	9GL1248M101	9GL1248M1D01	—	120×120×38mm	No	✓	✓	✓	345
9GT0412P3J001	9GT0412J3002	9GT0412J3001	9GT0412J3D001	9GT0412P3J001	40×40×28mm	No	✓	✓	✓	359
9GT0424P3J001	9GT0424J3002	9GT0424J3001	9GT0424J3D001	9GT0424P3J001	40×40×28mm	No	✓	✓	✓	359
9GT0612P4G001	9GT0612G4002	9GT0612G4001	9GT0612G4D001	9GT0612P4G001	60×60×25mm	No	✓	✓	✓	361
9GT0624P4G001	9GT0624G4002	9GT0624G4001	—	9GT0624P4G001	60×60×25mm	No	✓	✓	✓	361
9GT0812P4S001	9GT0812S4002	9GT0812S4001	9GT0812S4D001	9GT0812P4S001	80×80×25mm	No	✓	✓	✓	363

Please contact your point of sale regarding low-speed sensors.

Models listed in the main section of this catalog	List of models (models not listed in the main section of this catalog are options. Standards for optional model numbers may differ from the certified standards listed at right. Contact us for details of models with "-" model numbers.)				Frame Size	Rib	Standard (certification status is for the models listed in this catalog, and standards for optional model numbers may differ.)			page
	Without sensor	With pulse sensor	With lock sensor	With PWM control function and pulse sensor			UL	CSA	TÜV	
							(cUL)	(cUL)		
9GT0824P4S001	9GT0824S4002	9GT0824S4001	—	9GT0824P4S001	80×80×25mm	No	✓	✓	✓	363
9GT0912P1M001	9GT0912M1002	9GT0912M1001	9GT0912M1D001	9GT0912P1M001	92×92×38mm	No	✓	✓	✓	367
9GT0912P4J001	9GT0912J4002	9GT0912J4001	9GT0912J4D001	9GT0912P4J001	92×92×25mm	No	✓	✓	✓	365
9GT0924P1M001	9GT0924M1002	—	—	9GT0924P1M001	92×92×38mm	No	✓	✓	✓	367
9GT0924P4J001	9GT0924J4002	9GT0924J4001	—	9GT0924P4J001	92×92×25mm	No	✓	✓	✓	365
9GT1212P1S001	—	—	—	9GT1212P1S001	120×120×38mm	No	✓	✓	✓	369
9GT1224P1S001	9GT1224S1002	—	9GT1224S1D001	9GT1224P1S001	120×120×38mm	No	✓	✓	✓	369
9GV0312E301	9GV0312E302	9GV0312E301	9GV0312E3D01	—	38×38×28mm	Yes	✓	✓	✓	15
9GV0312E3011	—	9GV0312E3011	9GV0312E3D011	—	38×38×28mm	No	✓	✓	✓	15
9GV0312G301	9GV0312G302	9GV0312G301	9GV0312G3D01	9GV0312P3G03	38×38×28mm	Yes	✓	✓	✓	15
9GV0312G3011	9GV0312G3021	9GV0312G3011	—	—	38×38×28mm	No	✓	✓	✓	15
9GV0312H301	9GV0312H302	9GV0312H301	—	—	38×38×28mm	Yes	✓	✓	✓	15
9GV0312H3011	—	9GV0312H3011	—	—	38×38×28mm	No	✓	✓	✓	15
9GV0312J301	9GV0312J302	9GV0312J301	9GV0312J3D01	9GV0312P3J03	38×38×28mm	Yes	✓	✓	✓	15
9GV0312J3011	9GV0312J3021	9GV0312J3011	—	9GV0312P3J031	38×38×28mm	No	✓	✓	✓	15
9GV0312K301	—	9GV0312K301	9GV0312K3D01	9GV0312P3K01	38×38×28mm	Yes	✓	✓	✓	15
9GV0312K3011	—	9GV0312K3011	—	—	38×38×28mm	No	✓	✓	✓	15
9GV0412C301	—	9GV0412C301	9GV0412C3D01	—	40×40×28mm	Yes	✓	✓	✓	41
9GV0412C3011	—	9GV0412C3011	9GV0412C3D011	—	40×40×28mm	No	✓	✓	✓	41
9GV0412G301	9GV0412G302	9GV0412G301	9GV0412G3D01	9GV0412P3G03	40×40×28mm	Yes	✓	✓	✓	41
9GV0412G3011	9GV0412G3021	9GV0412G3011	9GV0412G3D011	9GV0412P3G031	40×40×28mm	No	✓	✓	✓	41
9GV0412H301	—	9GV0412H301	9GV0412H3D01	9GV0412P3H01	40×40×28mm	Yes	✓	✓	✓	41
9GV0412H3011	—	9GV0412H3011	—	—	40×40×28mm	No	✓	✓	✓	41
9GV0412J301	9GV0412J302	9GV0412J301	9GV0412J3D01	9GV0412P3J03	40×40×28mm	Yes	✓	✓	✓	41
9GV0412J3011	9GV0412J3021	9GV0412J3011	9GV0412J3D011	9GV0412P3J031	40×40×28mm	No	✓	✓	✓	41
9GV0412K301	9GV0412K302	9GV0412K301	9GV0412K3D01	9GV0412P3K03	40×40×28mm	Yes	✓	✓	✓	41
9GV0412K3011	—	9GV0412K3011	—	—	40×40×28mm	No	✓	✓	✓	41
9GV0612P1G03	9GV0612G102	9GV0612G101	9GV0612G1D01	9GV0612P1G03	60×60×38mm	Yes	✓	✓	✓	83
9GV0612P1G031	9GV0612G1021	9GV0612G1011	9GV0612G1D011	9GV0612P1G031	60×60×38mm	No	✓	✓	✓	83
9GV0612P1H03	9GV0612H102	9GV0612H101	9GV0612H1D01	9GV0612P1H03	60×60×38mm	Yes	✓	✓	✓	83
9GV0612P1H031	9GV0612H1021	9GV0612H1011	9GV0612H1D011	9GV0612P1H031	60×60×38mm	No	✓	✓	✓	83
9GV0612P1L01	9GV0612L102	—	—	9GV0612P1L01	60×60×38mm	Yes	✓	✓	✓	83
9GV0612P1L011	9GV0612L1021	9GV0612L1011	9GV0612L1D011	9GV0612P1L011	60×60×38mm	No	✓	✓	✓	83
9GV0612P1M03	—	9GV0612M101	9GV0612M1D01	9GV0612P1M03	60×60×38mm	Yes	✓	✓	✓	83
9GV0612P1M031	—	9GV0612M1011	9GV0612M1D011	9GV0612P1M031	60×60×38mm	No	✓	✓	✓	83
9GV0624P1G03	9GV0624G102	—	9GV0624G1D01	9GV0624P1G03	60×60×38mm	Yes	✓	✓	✓	83
9GV0624P1G031	9GV0624G1021	—	—	9GV0624P1G031	60×60×38mm	No	✓	✓	✓	83
9GV0624P1M03	9GV0624M102	9GV0624M101	—	9GV0624P1M03	60×60×38mm	Yes	✓	✓	✓	83
9GV0624P1M031	—	—	—	9GV0624P1M031	60×60×38mm	No	✓	✓	✓	83
9GV0648P1H03	—	—	—	9GV0648P1H03	60×60×38mm	Yes	✓	✓	✓	83
9GV0648P1H031	—	—	—	9GV0648P1H031	60×60×38mm	No	✓	✓	✓	83
9GV0812P1F03	—	—	—	9GV0812P1F03	80×80×38mm	Yes	✓	✓	✓	131
9GV0812P1F031	—	—	—	9GV0812P1F031	80×80×38mm	No	✓	✓	✓	131
9GV0812P1G03	9GV0812G102	9GV0812G101	—	9GV0812P1G03	80×80×38mm	Yes	✓	✓	✓	131
9GV0812P1G031	9GV0812G1021	9GV0812G1011	—	9GV0812P1G031	80×80×38mm	No	✓	✓	✓	131
9GV0812P1H03	9GV0812H102	9GV0812H101	—	9GV0812P1H03	80×80×38mm	Yes	✓	✓	✓	131
9GV0812P1H031	9GV0812H1021	9GV0812H1011	—	9GV0812P1H031	80×80×38mm	No	✓	✓	✓	131
9GV0812P1M03	—	—	—	9GV0812P1M03	80×80×38mm	Yes	✓	✓	✓	131
9GV0812P1M031	—	—	—	9GV0812P1M031	80×80×38mm	No	✓	✓	✓	131
9GV0812P4J03	9GV0812J402	9GV0812J401	—	9GV0812P4J03	80×80×25mm	Yes	✓	✓	✓	107
9GV0812P4J031	9GV0812J4021	9GV0812J4011	—	9GV0812P4J031	80×80×25mm	No	✓	✓	✓	107
9GV0812P4K03	—	9GV0812K401	9GV0812K4D01	9GV0812P4K03	80×80×25mm	Yes	✓	✓	✓	107
9GV0812P4K031	9GV0812K4021	9GV0812K4011	9GV0812K4D011	9GV0812P4K031	80×80×25mm	No	✓	✓	✓	107
9GV0824P1G03	9GV0824G102	9GV0824G101	—	9GV0824P1G03	80×80×38mm	Yes	✓	✓	✓	131
9GV0824P1G031	—	—	—	9GV0824P1G031	80×80×38mm	No	✓	✓	✓	131
9GV0824P4K01	9GV0824K402	9GV0824K401	—	9GV0824P4K01	80×80×25mm	Yes	✓	✓	✓	107
9GV0824P4K011	—	—	—	9GV0824P4K011	80×80×25mm	No	✓	✓	✓	107
9GV0848P1G03	9GV0848G102	9GV0848G101	—	9GV0848P1G03	80×80×38mm	Yes	✓	✓	✓	131
9GV0848P1G031	—	9GV0848G1011	—	9GV0848P1G031	80×80×38mm	No	✓	✓	✓	131
9GV0848P4K03	—	9GV0848K401	—	9GV0848P4K03	80×80×25mm	Yes	✓	✓	✓	107
9GV0848P4K031	—	—	—	9GV0848P4K031	80×80×25mm	No	✓	✓	✓	107
9GV0912P1F03	—	—	—	9GV0912P1F03	92×92×38mm	Yes	✓	✓	✓	151

Models listed in the main section of this catalog	List of models (models not listed in the main section of this catalog are options. Standards for optional model numbers may differ from the certified standards listed at right. Contact us for details of models with "-" model numbers.)				Frame Size	Rib	Standard (certification status is for the models listed in this catalog, and standards for optional model numbers may differ.)			page
	Without sensor	With pulse sensor	With lock sensor	With PWM control function and pulse sensor			UL (cUL)	CSA (cUL)	TÜV	
							✓	✓	✓	
9GV0912P1F031	—	—	—	9GV0912P1F031	92×92×38mm	No	✓	✓	✓	151
9GV0912P1G03	—	—	—	9GV0912P1G03	92×92×38mm	Yes	✓	✓	✓	151
9GV0912P1G031	—	—	—	9GV0912P1G031	92×92×38mm	No	✓	✓	✓	151
9GV0912P1H03	9GV0912H102	—	9GV0912H1D01	9GV0912P1H03	92×92×38mm	Yes	✓	✓	✓	151
9GV0912P1H031	—	—	—	9GV0912P1H031	92×92×38mm	No	✓	✓	✓	151
9GV0948P1F03	—	—	—	9GV0948P1F03	92×92×38mm	Yes	✓	✓	✓	151
9GV0948P1F031	—	—	—	9GV0948P1F031	92×92×38mm	No	✓	✓	✓	151
9GV0948P1H03	9GV0948H102	9GV0948H101	—	9GV0948P1H03	92×92×38mm	Yes	✓	✓	✓	151
9GV0948P1H031	9GV0948H1021	—	—	9GV0948P1H031	92×92×38mm	No	✓	✓	✓	151
9GV1212P1G01	—	—	—	9GV1212P1G01	120×120×38mm	Yes	✓	✓	✓	169
9GV1212P1G011	—	9GV1212G1011	—	9GV1212P1G011	120×120×38mm	No	✓	✓	✓	169
9GV1212P1J01	9GV1212J102	9GV1212J101	—	9GV1212P1J01	120×120×38mm	Yes	✓	✓	✓	169
9GV1212P1J011	9GV1212J1021	9GV1212J1011	—	9GV1212P1J011	120×120×38mm	No	✓	✓	✓	169
9GV1212P4G01	9GV1212G402	9GV1212G401	—	9GV1212P4G01	120×120×25mm	Yes	✓	✓	✓	159
9GV1212P4G011	9GV1212G4021	9GV1212G4011	—	9GV1212P4G011	120×120×25mm	No	✓	✓	✓	159
9GV1224P1H01	9GV1224H102	9GV1224H101	9GV1224H1D01	9GV1224P1H01	120×120×38mm	Yes	✓	✓	✓	169
9GV1224P1H011	9GV1224H1021	9GV1224H1011	9GV1224H1D011	9GV1224P1H011	120×120×38mm	No	✓	✓	✓	169
9GV1224P1J01	9GV1224J102	9GV1224J101	9GV1224J1D01	9GV1224P1J01	120×120×38mm	Yes	✓	✓	✓	169
9GV1224P1J011	9GV1224J1021	9GV1224J1011	9GV1224J1D011	9GV1224P1J011	120×120×38mm	No	✓	✓	✓	169
9GV1224P4G01	9GV1224G402	9GV1224G401	9GV1224G4D01	9GV1224P4G01	120×120×25mm	Yes	✓	✓	✓	159
9GV1224P4G011	9GV1224G4021	—	—	9GV1224P4G011	120×120×25mm	No	✓	✓	✓	159
9GV1248P1J01	9GV1248J102	9GV1248J101	9GV1248J1D01	9GV1248P1J01	120×120×38mm	Yes	✓	✓	✓	169
9GV1248P1J011	9GV1248J1021	9GV1248J1011	—	9GV1248P1J011	120×120×38mm	No	✓	✓	✓	169
9GV1248P4G01	9GV1248G402	9GV1248G401	—	9GV1248P4G01	120×120×25mm	Yes	✓	✓	✓	159
9GV1248P4G011	—	9GV1248G4011	—	9GV1248P4G011	120×120×25mm	No	✓	✓	✓	159
9GV1248P4H01	9GV1248H402	9GV1248H401	—	9GV1248P4H01	120×120×25mm	Yes	✓	✓	✓	159
9GV1248P4H011	—	—	—	9GV1248P4H011	120×120×25mm	No	✓	✓	✓	159
9GV1248P4J01	—	—	—	9GV1248P4J01	120×120×25mm	Yes	✓	✓	✓	159
9GV1248P4J011	—	—	—	9GV1248P4J011	120×120×25mm	No	✓	✓	✓	159
9GV1412P1G001	—	—	—	9GV1412P1G001	140×140×38mm	No	✓	✓	✓	183
9GV1412P1H001	—	—	—	9GV1412P1H001	140×140×38mm	No	✓	✓	✓	183
9GV1412P1S001	—	—	—	9GV1412P1S001	140×140×38mm	No	✓	✓	✓	183
9GV1424P1G001	—	—	—	9GV1424P1G001	140×140×38mm	No	✓	✓	✓	183
9GV1424P1H001	—	—	—	9GV1424P1H001	140×140×38mm	No	✓	✓	✓	183
9GV1424P1S001	—	—	—	9GV1424P1S001	140×140×38mm	No	✓	✓	✓	183
9GV1448P1G001	—	—	—	9GV1448P1G001	140×140×38mm	No	✓	✓	✓	183
9GV1448P1H001	—	—	—	9GV1448P1H001	140×140×38mm	No	✓	✓	✓	183
9GV1448P1S001	—	—	—	9GV1448P1S001	140×140×38mm	No	✓	✓	✓	183
9GV1512H501	9GV1512H502	9GV1512H501	—	9GV1512P5H03	150×150×50mm	Yes	✓	✓	✓	189
9GV1512H5011	9GV1512H5021	9GV1512H5011	—	—	150×150×50mm	No	✓	✓	✓	189
9GV1512M501	9GV1512M502	9GV1512M501	—	9GV1512P5M03	150×150×50mm	Yes	✓	✓	✓	189
9GV1512M5011	9GV1512M5021	9GV1512M5011	—	—	150×150×50mm	No	✓	✓	✓	189
9GV1524M501	9GV1524M502	9GV1524M501	9GV1524M5D01	—	150×150×50mm	Yes	✓	✓	✓	189
9GV1524M5011	—	9GV1524M5011	—	—	150×150×50mm	No	✓	✓	✓	189
9GV2048P0G201	9GV2048G0202	—	—	9GV2048P0G201	φ200mm×70mm	No	✓	✓	✓	203
9GV3612G301	9GV3612G302	9GV3612G301	9GV3612G3D01	9GV3612P3G03	36×36×28mm	Yes	✓	✓	✓	11
9GV3612J301	9GV3612J302	9GV3612J301	9GV3612J3D01	9GV3612P3J03	36×36×28mm	Yes	✓	✓	✓	11
9GV5724H501	9GV5724H502	9GV5724H501	—	9GV5724P5H03	φ172mm×150mm×51mm	No	✓	✓	✓	197
9GV5748H501	9GV5748H502	9GV5748H501	—	9GV5748P5H01	φ172mm×150mm×51mm	No	✓	✓	✓	197
9GX3612P3K001	—	—	—	9GX3612P3K001	36×36×28mm	Yes	✓	✓	✓	11
9HV0412P3K001	—	—	—	9HV0412P3K001	40×40×28mm	No	✓	✓	✓	31
9HV0612P1J001	—	—	—	9HV0612P1J001	60×60×38mm	Yes	✓	✓	✓	77
9HV0612P1J0011	—	—	—	9HV0612P1J0011	60×60×38mm	No	✓	✓	✓	77
9HV0812P1G001	9HV0812G1002	9HV0812G1001	—	9HV0812P1G001	80×80×38mm	Yes	✓	✓	✓	125
9HV0812P1G0011	9HV0812G10021	9HV0812G10011	—	9HV0812P1G0011	80×80×38mm	No	✓	✓	✓	125
9HV0824P1G003	—	—	9HV0824G1D001	9HV0824P1G003	80×80×38mm	Yes	✓	✓	✓	125
9HV0824P1G0011	—	—	—	9HV0824P1G0011	80×80×38mm	No	✓	✓	✓	125
9HV0848P1G001	9HV0848G1002	9HV0848G1001	9HV0848G1D001	9HV0848P1G001	80×80×38mm	Yes	✓	✓	✓	125
9HV0848P1G0011	9HV0848G10021	9HV0848G10011	—	9HV0848P1G0011	80×80×38mm	No	✓	✓	✓	125
9HV0912P1G001	—	—	—	9HV0912P1G001	92×92×38mm	Yes	✓	✓	✓	149
9HV0912P1G0011	—	—	—	9HV0912P1G0011	92×92×38mm	No	✓	✓	✓	149
9HV0948P1G001	—	—	—	9HV0948P1G001	92×92×38mm	Yes	✓	✓	✓	149

Please contact your point of sale regarding low-speed sensors.

Models listed in the main section of this catalog	List of models (models not listed in the main section of this catalog are options. Standards for optional model numbers may differ from the certified standards listed at right. Contact us for details of models with "-" model numbers.)				Frame Size	Rib	Standard (certification status is for the models listed in this catalog, and standards for optional model numbers may differ.)			page
	Without sensor	With pulse sensor	With lock sensor	With PWM control function and pulse sensor			UL (cUL)	CSA (cUL)	TÜV	
							✓	✓	✓	
9HV0948P1G0011	—	—	—	9HV0948P1G0011	92×92×38mm	No	✓	✓	✓	149
9HV1224P1A001	—	—	—	9HV1224P1A001	120×120×38mm	No	✓	✓	✓	167
9HV1248P1G001	9HV1248G1002	9HV1248G1001	—	9HV1248P1G001	120×120×38mm	No	✓	✓	✓	167
9HV1248P1H001	9HV1248H1002	9HV1248H1001	—	9HV1248P1H001	120×120×38mm	No	✓	✓	✓	167
9HV5724P5H001	—	—	9HV5724H5D001	9HV5724P5H001	φ172mm×150mm×51mm	No	✓	✓	✓	193
9HV5748P5G001	—	—	—	9HV5748P5G001	φ172mm×150mm×51mm	No	✓	✓	✓	193
9HVA0812P1G001	—	—	—	9HVA0812P1G001	80×80×38mm	Yes	✓	✓	✓	123
9HVA0812P1G0011	—	—	—	9HVA0812P1G0011	80×80×38mm	No	✓	✓	✓	123
9L0412H301	9L0412H302	9L0412H301	9L0412H3D01	—	40×40×28mm	No	✓	✓	✓	319
9L0412J301	9L0412J302	9L0412J301	9L0412J3D01	9L0412P3J01	40×40×28mm	No	✓	✓	✓	319
9L0412M301	9L0412M302	9L0412M301	9L0412M3D01	—	40×40×28mm	No	✓	✓	✓	319
9LB1412H501	9LB1412H502	9LB1412H501	9LB1412H5D01	—	140×140×51mm	No	✓	✓	✓	351
9LB1412M501	9LB1412M502	9LB1412M501	9LB1412M5D01	—	140×140×51mm	No	✓	✓	✓	351
9LB1412S501	9LB1412S502	9LB1412S501	9LB1412S5D01	—	140×140×51mm	No	✓	✓	✓	351
9LB1424B501	9LB1424B502	9LB1424B501	—	—	140×140×51mm	No	—	—	—	351
9LB1424H501	9LB1424H502	9LB1424H501	9LB1424H5D01	—	140×140×51mm	No	✓	✓	✓	351
9LB1424M501	9LB1424M502	9LB1424M501	9LB1424M5D01	—	140×140×51mm	No	✓	✓	✓	351
9LB1424S501	9LB1424S502	9LB1424S501	9LB1424S5D01	—	140×140×51mm	No	✓	✓	✓	351
9LB1448F501	—	9LB1448F501	—	—	140×140×51mm	No	—	—	—	351
9LB1448H501	9LB1448H502	9LB1448H501	9LB1448H5D01	—	140×140×51mm	No	✓	✓	✓	351
9LB1448M501	9LB1448M502	9LB1448M501	9LB1448M5D01	—	140×140×51mm	No	✓	✓	✓	351
9LB1448S501	9LB1448S502	9LB1448S501	9LB1448S5D01	—	140×140×51mm	No	✓	✓	✓	351
9LG0612P4H001	—	9LG0612H4001	9LG0612H4D001	9LG0612P4H001	60×60×25mm	No	✓	✓	✓	321
9LG0612P4J001	—	—	9LG0612J4D001	9LG0612P4J001	60×60×25mm	No	✓	✓	✓	321
9LG0612P4M001	—	9LG0624M4001	9LG0612M4D001	9LG0612P4M001	60×60×25mm	No	✓	✓	✓	321
9LG0612P4S001	—	9LG0612S4001	—	9LG0612P4S001	60×60×25mm	No	✓	✓	✓	321
9LG0624P4H001	—	—	—	9LG0624P4H001	60×60×25mm	No	✓	✓	✓	321
9LG0624P4J001	—	—	—	9LG0624P4J001	60×60×25mm	No	✓	✓	✓	321
9LG0624P4M001	—	9LG0624M4001	—	9LG0624P4M001	60×60×25mm	No	✓	✓	✓	321
9LG0624P4S001	—	—	—	9LG0624P4S001	60×60×25mm	No	✓	✓	✓	321
9LG0648P4H001	—	—	—	9LG0648P4H001	60×60×25mm	No	✓	✓	✓	321
9LG0648P4J001	—	—	—	9LG0648P4J001	60×60×25mm	No	✓	✓	✓	321
9LG0648P4M001	—	—	—	9LG0648P4M001	60×60×25mm	No	✓	✓	✓	321
9LG0648P4S001	—	—	—	9LG0648P4S001	60×60×25mm	No	✓	✓	✓	321
9LG0812P4G001	—	—	—	9LG0812P4G001	80×80×25mm	No	✓	✓	✓	329
9LG0812P4H001	—	—	—	9LG0812P4H001	80×80×25mm	No	✓	✓	✓	329
9LG0812P4J001	—	—	9LG0812J4D001	9LG0812P4J001	80×80×25mm	No	✓	✓	✓	329
9LG0824P4G001	9LG0824G4002	—	9LG0824G4D001	9LG0824P4G001	80×80×25mm	No	✓	✓	✓	329
9LG0824P4H001	—	—	—	9LG0824P4H001	80×80×25mm	No	✓	✓	✓	329
9LG0824P4J001	—	—	9LG0824J4D001	9LG0824P4J001	80×80×25mm	No	✓	✓	✓	329
9LG0912P1F001	—	—	—	9LG0912P1F001	92×92×38mm	No	✓	✓	✓	339
9LG0912P1H001	—	—	—	9LG0912P1H001	92×92×38mm	No	✓	✓	✓	339
9LG0912P4G001	9LG0912G4002	—	—	9LG0912P4G001	92×92×25mm	No	✓	✓	✓	335
9LG0912P4H001	—	—	—	9LG0912P4H001	92×92×25mm	No	✓	✓	✓	335
9LG0912P4J001	—	—	—	9LG0912P4J001	92×92×25mm	No	✓	✓	✓	335
9LG0912P4S001	—	—	—	9LG0912P4S001	92×92×25mm	No	✓	✓	✓	335
9LG0924P1F001	—	—	—	9LG0924P1F001	92×92×38mm	No	✓	✓	✓	339
9LG0924P1H001	—	—	—	9LG0924P1H001	92×92×38mm	No	✓	✓	✓	339
9LG0924P4G001	—	—	—	9LG0924P4G001	92×92×25mm	No	✓	✓	✓	335
9LG0924P4H001	—	—	—	9LG0924P4H001	92×92×25mm	No	✓	✓	✓	335
9LG0924P4J001	—	—	9LG0924J4D001	9LG0924P4J001	92×92×25mm	No	✓	✓	✓	335
9LG0924P4S001	—	—	9LG0924S4D001	9LG0924P4S001	92×92×25mm	No	✓	✓	✓	335
9LG1212P1G001	—	—	—	9LG1212P1G001	120×120×38mm	No	✓	✓	✓	341
9LG1212P1H001	—	—	—	9LG1212P1H001	120×120×38mm	No	✓	✓	✓	341
9LG1212P1S001	—	—	—	9LG1212P1S001	120×120×38mm	No	✓	✓	✓	341
9LG1224P1G001	—	—	9LG1224G1D001	9LG1224P1G001	120×120×38mm	No	✓	✓	✓	341
9LG1224P1H001	—	—	9LG1224H1D001	9LG1224P1H001	120×120×38mm	No	✓	✓	✓	341
9LG1224P1S001	—	9LG1224S1001	9LG1224S1D001	9LG1224P1S001	120×120×38mm	No	✓	✓	✓	341
9LG1248P1G001	9LG1248G1002	—	—	9LG1248P1G001	120×120×38mm	No	✓	✓	✓	341
9LG1248P1H001	—	—	—	9LG1248P1H001	120×120×38mm	No	✓	✓	✓	341
9LG1248P1S001	—	—	—	9LG1248P1S001	120×120×38mm	No	✓	✓	✓	341
9RF1312P3H001	—	—	—	9RF1312P3H001	φ136mm×28mm	No	✓	✓	✓	243

Models listed in the main section of this catalog	List of models (models not listed in the main section of this catalog are options. Standards for optional model numbers may differ from the certified standards listed at right. Contact us for details of models with "-" model numbers.)				Frame Size	Rib	Standard (certification status is for the models listed in this catalog, and standards for optional model numbers may differ.)			page
	Without sensor	With pulse sensor	With lock sensor	With PWM control function and pulse sensor			UL (cUL)	CSA (cUL)	TÜV	
							✓	✓	✓	
9RF1324P3H001	—	—	—	9RF1324P3H001	φ 136mm×28mm	No	✓	✓	✓	243
9S0612F401	9S0612F402	9S0612F401	9S0612F4D01	9S0612P4F01	60×60×25mm	Yes	✓	✓	✓	67
9S0612F4011	9S0612F4021	9S0612F4011	9S0612F4D011	9S0612P4F011	60×60×25mm	No	✓	✓	✓	67
9S0612H401	9S0612H402	9S0612H401	9S0612H4D01	9S0612P4H01	60×60×25mm	Yes	✓	✓	✓	67
9S0612H4011	9S0612H4021	9S0612H4011	9S0612H4D011	9S0612P4H011	60×60×25mm	No	✓	✓	✓	67
9S0612M401	9S0612M402	9S0612M401	9S0612M4D01	9S0612P4M01	60×60×25mm	Yes	✓	✓	✓	67
9S0612M4011	9S0612M4021	9S0612M4011	9S0612M4D011	—	60×60×25mm	No	✓	✓	✓	67
9S0612S401	9S0612S402	9S0612S401	9S0612S4D01	9S0612P4S01	60×60×25mm	Yes	✓	✓	✓	67
9S0612S4011	—	9S0612S4011	—	—	60×60×25mm	No	✓	✓	✓	67
9S0812F401	9S0812F402	9S0812F401	9S0812F4D01	9S0812P4F01	80×80×25mm	Yes	✓	✓	✓	105
9S0812F4011	9S0812F4021	9S0812F4011	9S0812F4D011	9S0812P4F011	80×80×25mm	No	✓	✓	✓	105
9S0812H401	9S0812H402	9S0812H401	9S0812H4D01	—	80×80×25mm	Yes	✓	✓	—	105
9S0812H4011	—	9S0812H4011	9S0812H4D011	—	80×80×25mm	No	✓	✓	—	105
9S0812L401	9S0812L402	9S0812L401	9S0812L4D01	—	80×80×25mm	Yes	✓	✓	✓	105
9S0812L4011	9S0812L4021	9S0812L4011	9S0812L4D011	—	80×80×25mm	No	✓	✓	✓	105
9S0812M401	9S0812M402	9S0812M401	9S0812M4D01	9S0812P4M01	80×80×25mm	Yes	✓	✓	✓	105
9S0812M4011	9S0812M4021	9S0812M4011	9S0812M4D011	9S0812P4M011	80×80×25mm	No	✓	✓	✓	105
9S0824L401	9S0824L402	9S0824L401	9S0824L4D01	—	80×80×25mm	Yes	✓	✓	✓	105
9S0824L4011	9S0824L4021	9S0824L4011	9S0824L4D011	—	80×80×25mm	No	✓	✓	✓	105
9S0824M401	9S0824M402	9S0824M401	9S0824M4D01	—	80×80×25mm	Yes	✓	✓	✓	105
9S0824M4011	9S0824M4021	9S0824M4011	9S0824M4D011	—	80×80×25mm	No	✓	✓	✓	105
9S0912F401	9S0912F402	9S0912F401	9S0912F4D01	9S0912P4F01	92×92×25mm	Yes	✓	✓	✓	141
9S0912F4011	9S0912F4021	9S0912F4011	9S0912F4D011	9S0912P4F011	92×92×25mm	No	✓	✓	✓	141
9S0912L401	9S0912L402	9S0912L401	9S0912L4D01	—	92×92×25mm	Yes	✓	✓	✓	141
9S0912L4011	9S0912L4021	9S0912L4011	9S0912L4D011	—	92×92×25mm	No	✓	✓	✓	141
9S0912M401	9S0912M402	9S0912M401	9S0912M4D01	9S0912P4M01	92×92×25mm	Yes	✓	✓	✓	141
9S0912M4011	9S0912M4021	9S0912M4011	9S0912M4D011	9S0912P4M011	92×92×25mm	No	✓	✓	✓	141
9S0924F401	9S0924F402	9S0924F401	9S0924F4D01	—	92×92×25mm	Yes	✓	✓	✓	141
9S0924F4011	9S0924F4021	9S0924F4011	—	—	92×92×25mm	No	✓	✓	✓	141
9S0924L401	9S0924L402	9S0924L401	9S0924L4D01	—	92×92×25mm	Yes	✓	✓	✓	141
9S0924L4011	9S0924L4021	9S0924L4011	—	—	92×92×25mm	No	✓	✓	✓	141
9S0924M401	9S0924M402	9S0924M401	9S0924M4D01	—	92×92×25mm	Yes	✓	✓	✓	141
9S0924M4011	9S0924M4021	9S0924M4011	—	—	92×92×25mm	No	✓	✓	✓	141
9S1212F401	9S1212F402	9S1212F401	9S1212F4D01	9S1212P4F01	120×120×25mm	Yes	✓	✓	✓	157
9S1212F4011	9S1212F4021	9S1212F4011	9S1212F4D011	9S1212P4F011	120×120×25mm	No	✓	✓	✓	157
9S1212H401	9S1212H402	9S1212H401	9S1212H4D01	9S1212P4H01	120×120×25mm	Yes	✓	✓	✓	157
9S1212H4011	9S1212H4021	9S1212H4011	—	9S1212P4H011	120×120×25mm	No	✓	✓	✓	157
9S1212L401	9S1212L402	9S1212L401	9S1212L4D01	—	120×120×25mm	Yes	✓	✓	✓	157
9S1212L4011	9S1212L4021	9S1212L4011	9S1212L4D011	9S1212P4L011	120×120×25mm	No	✓	✓	✓	157
9S1212M401	9S1212M402	9S1212M401	9S1212M4D01	9S1212P4M01	120×120×25mm	Yes	✓	✓	✓	157
9S1212M4011	9S1212M4021	9S1212M4011	9S1212M4D011	9S1212P4M011	120×120×25mm	No	✓	✓	✓	157
9S1224M401	9S1224M402	9S1224M401	9S1224M4D01	—	120×120×25mm	Yes	✓	✓	✓	157
9S1224M4011	9S1224M4021	9S1224M4011	9S1224M4D011	—	120×120×25mm	No	✓	✓	✓	157
9SG1212G101	9SG1212G102	9SG1212G101	9SG1212G1D01	9SG1212P1G01	120×120×38mm	No	✓	✓	✓	177
9SG1224G101	9SG1224G102	9SG1224G101	9SG1224G1D01	9SG1224P1G01	120×120×38mm	No	✓	✓	✓	177
9SG1224H101	9SG1224H102	9SG1224H101	9SG1224H1D01	—	120×120×38mm	No	—	—	—	177
9SG1248G101	9SG1248G102	9SG1248G101	—	9SG1248P1G01	120×120×38mm	No	✓	✓	✓	177
9SG5724P5H61	9SG5724H562	—	—	9SG5724P5H61	φ172mm×150mm×51mm	No	✓	✓	✓	195
9SG5748P5G01	—	—	—	9SG5748P5G01	φ172mm×150mm×51mm	No	✓	✓	✓	195
9SG5748P5H01	—	—	—	9SG5748P5H01	φ172mm×150mm×51mm	No	✓	✓	✓	195
9TG24P0G01	9TG24G002	9TG24G001	—	9TG24P0G01	φ175mm×69mm	—	✓	✓	✓	381
9TG24P0S01	9TG24S002	9TG24S001	—	9TG24P0S01	φ175mm×69mm	—	✓	✓	✓	381
9TGA24P0H001	—	—	—	9TGA24P0H001	φ175mm×69mm	—	✓	✓	✓	379
9TGA48P0G001	—	—	—	9TGA48P0G001	φ175mm×69mm	—	✓	✓	✓	379
9TG48P0G01	—	—	—	9TG48P0G01	φ175mm×69mm	—	✓	✓	✓	381
9TJ24P0H61	—	—	—	9TJ24P0H61	φ133mm×91mm	—	✓	✓	✓	375
9TJ48P0H01	—	—	—	9TJ48P0H01	φ133mm×91mm	—	✓	✓	✓	375
9TM24P4H01	—	—	—	9TM24P4H01	φ100mm×25mm	—	✓	✓	✓	373
9TM48P4H01	—	—	—	9TM48P4H01	φ100mm×25mm	—	✓	✓	✓	373
9TN24P1H01	—	—	—	9TN24P1H01	φ150mm×35mm	—	✓	✓	✓	377
9TN48P1H01	—	—	—	9TN48P1H01	φ150mm×35mm	—	✓	✓	✓	377
9TP24P0H001	—	—	—	9TP24P0H001	φ221mm×71mm	—	✓	✓	✓	383

Models listed in the main section of this catalog	List of models (models not listed in the main section of this catalog are options. Standards for optional model numbers may differ from the certified standards listed at right. Contact us for details of models with "-" model numbers.)				Frame Size	Rib	Standard (certification status is for the models listed in this catalog, and standards for optional model numbers may differ.)			page
	Without sensor	With pulse sensor	With lock sensor	With PWM control function and pulse sensor			UL (cUL)	CSA (cUL)	TÜV	
							✓	✓	✓	
9TP48P0G001	—	—	—	9TP48P0G001	φ 221mm×71mm	—	✓	✓	✓	383
9TP48P0H001	—	—	—	9TP48P0H001	φ 221mm×71mm	—	✓	✓	✓	383
9TS48P0G001	—	—	—	9TS48P0G001	φ 225mm×99mm	—	✓	✓	✓	385
9TS48P0H001	—	—	—	9TS48P0H001	φ 225mm×99mm	—	✓	✓	✓	385
9W1TG48P0H61	—	—	—	9W1TG48P0H61	φ 175mm×69mm	—	✓	✓	✓	301
9W1TJ24P0H61	—	—	—	9W1TJ24P0H61	φ 133mm×91mm	—	✓	✓	✓	297
9W1TJ48P0H61	—	—	—	9W1TJ48P0H61	φ 133mm×91mm	—	✓	✓	✓	297
9W1TM48P4G01	—	—	—	9W1TM48P4G01	φ 100mm×25mm	—	✓	✓	✓	295
9W1TM48P4H01	—	—	—	9W1TM48P4H01	φ 100mm×25mm	—	✓	✓	✓	295
9W1TN48P1H01	—	—	—	9W1TN48P1H01	φ 150mm×35mm	—	✓	✓	✓	299
9WB1412H501	9WB1412H502	9WB1412H501	—	—	140×140×51mm	No	✓	✓	✓	287
9WB1412M501	9WB1412M502	9WB1412M501	9WB1412M5D01	—	140×140×51mm	No	✓	✓	✓	287
9WB1412S501	9WB1412S502	9WB1412S501	9WB1412S5D01	—	140×140×51mm	No	✓	✓	✓	287
9WB1424H501	9WB1424H502	9WB1424H501	9WB1424H5D01	—	140×140×51mm	No	✓	✓	✓	287
9WB1424M501	9WB1424M502	9WB1424M501	—	—	140×140×51mm	No	✓	✓	✓	287
9WB1448H501	9WB1448H502	9WB1448H501	9WB1448H5D01	—	140×140×51mm	No	✓	✓	✓	287
9WB1448S501	9WB1448S502	9WB1448S501	9WB1448S5D01	—	140×140×51mm	No	✓	✓	✓	287
9WE1724K501	9WE1724K502	9WE1724K501	—	—	φ 172mm×51mm	No	✓	✓	✓	292
9WE5724K501	9WE5724K502	9WE5724K501	—	—	φ 172mm×150mm×51mm	No	✓	✓	✓	291
9WE5748K501	9WE5748K502	9WE5748K501	9WE5748K5D01	9WE5748P5K01	φ 172mm×150mm×51mm	No	✓	✓	✓	291
9WF0424F601	9WF0424F602	9WF0424F601	9WF0424F6D01	—	40×40×20mm	Yes	✓	✓	✓	306
9WF0424H601	9WF0424H602	9WF0424H601	9WF0424H6D01	—	40×40×20mm	Yes	✓	✓	✓	306
9WF0424H701	9WF0424H702	9WF0424H701	9WF0424H7D01	—	40×40×15mm	Yes	✓	✓	✓	305
9WF0624H401	9WF0624H402	9WF0624H401	9WF0624H4D01	—	60×60×25mm	Yes	✓	✓	✓	309
9WF0624H601	—	9WF0624H601	9WF0624H6D01	—	60×60×20mm	Yes	✓	✓	✓	308
9WF0624H701	9WF0624H702	9WF0624H701	9WF0624H7D01	—	60×60×15mm	Yes	✓	✓	✓	307
9WF0824S401	9WF0824S402	9WF0824S401	9WF0824S4D01	—	80×80×25mm	Yes	✓	✓	✓	310
9WF0924H201	9WF0924H202	9WF0924H201	9WF0924H2D01	—	92×92×32mm	Yes	✓	✓	✓	313
9WF0924H2011	—	—	—	—	92×92×32mm	No	✓	✓	✓	313
9WF0924H401	9WF0924H402	9WF0924H401	9WF0924H4D01	—	92×92×25mm	Yes	✓	✓	✓	311
9WF0924H4011	—	—	9WF0924H4D011	—	92×92×25mm	No	✓	✓	✓	311
9WF0924S201	9WF0924S202	9WF0924S201	9WF0924S2D01	—	92×92×32mm	Yes	✓	✓	✓	313
9WF0924S2011	—	—	—	—	92×92×32mm	No	✓	✓	✓	313
9WF1224H101	9WF1224H102	9WF1224H101	9WF1224H1D01	—	120×120×38mm	Yes	✓	✓	✓	315
9WG1212E101-E	9WG1212E102-E	9WG1212E101-E	9WG1212E1D01-E	—	120×120×38mm	No	✓	✓	✓	281
9WG1212F101-E	9WG1212F102-E	9WG1212F101-E	—	—	120×120×38mm	No	✓	✓	✓	281
9WG1212G101-E	9WG1212G102-E	9WG1212G101-E	9WG1212G1D01-E	—	120×120×38mm	No	✓	✓	✓	281
9WG1212H101-E	9WG1212H102-E	9WG1212H101-E	9WG1212H1D01-E	—	120×120×38mm	No	✓	✓	✓	281
9WG1212M101-E	9WG1212M102-E	9WG1212M101-E	—	—	120×120×38mm	No	✓	✓	✓	281
9WG1224E101-E	9WG1224E102-E	9WG1224E101-E	9WG1224E1D01-E	—	120×120×38mm	No	✓	✓	✓	281
9WG1224F101-E	9WG1224F102-E	9WG1224F101-E	9WG1224F1D01-E	—	120×120×38mm	No	✓	✓	✓	281
9WG1224G101-E	9WG1224G102-E	9WG1224G101-E	9WG1224G1D01-E	—	120×120×38mm	No	✓	✓	✓	281
9WG1224H101-E	9WG1224H102-E	9WG1224H101-E	9WG1224H1D01-E	—	120×120×38mm	No	✓	✓	✓	281
9WG1224M101-E	9WG1224M102-E	9WG1224M101-E	—	—	120×120×38mm	No	✓	✓	✓	281
9WG1248E101-E	9WG1248E102-E	9WG1248E101-E	—	—	120×120×38mm	No	✓	✓	✓	281
9WG1248F101-E	9WG1248F102-E	9WG1248F101-E	—	—	120×120×38mm	No	✓	✓	✓	281
9WG1248G101-E	9WG1248G102-E	9WG1248G101-E	—	—	120×120×38mm	No	✓	✓	✓	281
9WG1248H101-E	9WG1248H102-E	9WG1248H101-E	9WG1248H1D01-E	—	120×120×38mm	No	✓	✓	✓	281
9WG1248M101-E	9WG1248M102-E	9WG1248M101-E	—	—	120×120×38mm	No	✓	✓	✓	281
9WG5748P5G001	9WG5748G5002	—	—	9WG5748P5G001	φ 172mm×150mm×51mm	No	✓	✓	✓	289
9WG5748P5H001	—	9WG5748H5001	9WG5748H5D001	9WG5748P5H001	φ 172mm×150mm×51mm	No	✓	✓	✓	289
9WL0412P3G001	—	9WL0412G3001	—	9WL0412P3G001	40×40×28mm	No	✓	✓	✓	248
9WL0412P3J001	9WL0412J3002	9WL0412J3001	—	9WL0412P3J001	40×40×28mm	No	✓	✓	✓	248
9WL0424P3G001	9WL0424G3002	9WL0424G3001	—	9WL0424P3G001	40×40×28mm	No	✓	✓	✓	248
9WL0424P3J001	9WL0424J3002	9WL0424J3001	—	9WL0424P3J001	40×40×28mm	No	✓	✓	✓	248
9WL0612P4H001	—	—	—	9WL0612P4H001	60×60×25mm	No	✓	✓	✓	251
9WL0612P4J001	9WL0612J4002	—	9WL0612J4D001	9WL0612P4J001	60×60×25mm	No	✓	✓	✓	251
9WL0612P4S001	9WL0612S4002	—	9WL0612S4D001	9WL0612P4S001	60×60×25mm	No	✓	✓	✓	251
9WL0624P4H001	—	—	—	9WL0624P4H001	60×60×25mm	No	✓	✓	✓	251
9WL0624P4J001	—	—	—	9WL0624P4J001	60×60×25mm	No	✓	✓	✓	251
9WL0624P4S001	—	—	—	9WL0624P4S001	60×60×25mm	No	✓	✓	✓	251
9WL0812P4G001	—	—	9WL0812G4D001	9WL0812P4G001	80×80×25mm	No	✓	✓	✓	257

Models listed in the main section of this catalog	List of models (models not listed in the main section of this catalog are options. Standards for optional model numbers may differ from the certified standards listed at right. Contact us for details of models with "-" model numbers.)				Frame Size	Rib	Standard (certification status is for the models listed in this catalog, and standards for optional model numbers may differ.)			page
	Without sensor	With pulse sensor	With lock sensor	With PWM control function and pulse sensor			UL (cUL)	CSA (cUL)	TÜV	
							✓	✓	✓	
9WL0812P4H001	—	—	—	9WL0812P4H001	80×80×25mm	No	✓	✓	✓	257
9WL0812P4J001	—	—	—	9WL0812P4J001	80×80×25mm	No	✓	✓	✓	257
9WL0824P4G001	—	—	—	9WL0824P4G001	80×80×25mm	No	✓	✓	✓	257
9WL0824P4H001	—	—	—	9WL0824P4H001	80×80×25mm	No	✓	✓	✓	257
9WL0824P4J001	—	—	—	9WL0824P4J001	80×80×25mm	No	✓	✓	✓	257
9WL0912P4G001	—	—	—	9WL0912P4G001	92×92×25mm	No	✓	✓	✓	267
9WL0912P4H001	—	—	—	9WL0912P4H001	92×92×25mm	No	✓	✓	✓	267
9WL0912P4J001	9WL0912J4002	—	—	9WL0912P4J001	92×92×25mm	No	✓	✓	✓	267
9WL0912P4S001	—	—	—	9WL0912P4S001	92×92×25mm	No	✓	✓	✓	267
9WL0924P4H001	—	—	—	9WL0924P4H001	92×92×25mm	No	✓	✓	✓	267
9WL0924P4J001	—	—	—	9WL0924P4J001	92×92×25mm	No	✓	✓	✓	267
9WL0924P4S001	—	—	—	9WL0924P4S001	92×92×25mm	No	✓	✓	✓	267
9WP0412F6001	9WP0412F6002	9WP0412F6001	—	—	40×40×20mm	Yes	✓	✓	✓	247
9WP0412H6001	9WP0412H6002	9WP0412H6001	—	—	40×40×20mm	Yes	✓	✓	✓	247
9WP0612D401	9WP0612D402	9WP0612D401	9WP0612D4D01	—	60×60×25mm	Yes	✓	✓	✓	255
9WP0612D4011	—	9WP0612D4011	9WP0612D4D011	—	60×60×25mm	No	✓	✓	✓	255
9WP0612G401	9WP0612G402	9WP0612G401	9WP0612G4D01	9WP0612P4G01	60×60×25mm	Yes	✓	✓	✓	255
9WP0612G4011	9WP0612G4021	9WP0612G4011	—	—	60×60×25mm	No	✓	✓	✓	255
9WP0612H401	9WP0612H402	9WP0612H401	9WP0612H4D01	—	60×60×25mm	Yes	✓	✓	✓	255
9WP0612H4011	9WP0612H4021	9WP0612H4011	9WP0612H4D011	—	60×60×25mm	No	✓	✓	✓	255
9WP0624G401	9WP0624G402	9WP0624G401	9WP0624G4D01	—	60×60×25mm	Yes	✓	✓	✓	255
9WP0624G4011	—	9WP0624G4011	—	—	60×60×25mm	No	✓	✓	✓	255
9WP0624H401	9WP0624H402	9WP0624H401	9WP0624H4D01	—	60×60×25mm	Yes	✓	✓	✓	255
9WP0624H4011	9WP0624H4021	9WP0624H4011	9WP0624H4D011	—	60×60×25mm	No	✓	✓	✓	255
9WP0624J401	9WP0624J402	9WP0624J401	—	—	60×60×25mm	Yes	✓	✓	✓	255
9WP0624J4011	—	—	—	—	60×60×25mm	No	✓	✓	✓	255
9WP0648H401	9WP0648H402	9WP0648H401	9WP0648H4D01	—	60×60×25mm	Yes	✓	✓	✓	255
9WP0648H4011	9WP0648H4021	9WP0648H4011	9WP0648H4D011	—	60×60×25mm	No	✓	✓	✓	255
9WP0812G401	9WP0812G402	9WP0812G401	9WP0812G4D01	9WP0812P4G01	80×80×25mm	Yes	✓	✓	✓	261
9WP0812G4011	9WP0812G4021	9WP0812G4011	9WP0812G4D011	—	80×80×25mm	No	✓	✓	✓	261
9WP0812H401	9WP0812H402	9WP0812H401	9WP0812H4D01	—	80×80×25mm	Yes	✓	✓	✓	261
9WP0812H4011	9WP0812H4021	9WP0812H4011	9WP0812H4D011	—	80×80×25mm	No	✓	✓	✓	261
9WP0824H401	9WP0824H402	9WP0824H401	9WP0824H4D01	—	80×80×25mm	Yes	✓	✓	✓	261
9WP0824H4011	9WP0824H4021	9WP0824H4011	9WP0824H4D011	—	80×80×25mm	No	✓	✓	✓	261
9WP0824S401	9WP0824S402	9WP0824S401	9WP0824S4D01	—	80×80×25mm	Yes	✓	✓	✓	261
9WP0824S4011	—	9WP0824S4011	—	—	80×80×25mm	No	✓	✓	✓	261
9WP0848S401	9WP0848S402	9WP0848S401	9WP0848S4D01	—	80×80×25mm	Yes	✓	✓	✓	261
9WP0848S4011	9WP0848S4021	9WP0848S4011	9WP0848S4D011	—	80×80×25mm	No	✓	✓	✓	261
9WP0912F401	9WP0912F402	9WP0912F401	9WP0912F4D01	—	92×92×25mm	Yes	—	—	—	273
9WP0912F4011	—	—	—	—	92×92×25mm	No	—	—	—	273
9WP0912S401	—	9WP0912S401	9WP0912S4D01	—	92×92×25mm	Yes	—	—	—	273
9WP0912S4011	—	9WP0912S4011	—	—	92×92×25mm	No	—	—	—	273
9WP0924B401	9WP0924B402	9WP0924B401	9WP0924B4D01	—	92×92×25mm	Yes	✓	✓	✓	273
9WP0924B4011	9WP0924B4021	9WP0924B4011	9WP0924B4D011	—	92×92×25mm	No	✓	✓	✓	273
9WP0924F401	9WP0924F402	9WP0924F401	9WP0924F4D01	—	92×92×25mm	Yes	✓	✓	✓	273
9WP0924F4011	9WP0924F4021	9WP0924F4011	9WP0924F4D011	—	92×92×25mm	No	✓	✓	✓	273
9WP0924G401	9WP0924G402	9WP0924G401	9WP0924G4D01	—	92×92×25mm	Yes	✓	✓	✓	273
9WP0924G4011	—	9WP0924G4011	—	—	92×92×25mm	No	✓	✓	✓	273
9WP0924H401	9WP0924H402	9WP0924H401	9WP0924H4D01	—	92×92×25mm	Yes	✓	✓	✓	273
9WP0924H4011	—	—	—	—	92×92×25mm	No	✓	✓	✓	273
9WP0924S401	9WP0924S402	9WP0924S401	9WP0924S4D01	—	92×92×25mm	Yes	—	—	—	273
9WP0924S4011	—	—	—	—	92×92×25mm	No	✓	✓	✓	273
9WP1212H101	9WP1212H102	9WP1212H101	9WP1212H1D01	—	120×120×38mm	Yes	✓	✓	✓	279
9WP1212H1011	9WP1212H1021	9WP1212H1011	9WP1212H1D011	—	120×120×38mm	No	✓	✓	✓	279
9WP1212L101	—	9WP1212L101	—	—	120×120×38mm	Yes	✓	✓	✓	279
9WP1212L1011	—	—	—	—	120×120×38mm	No	✓	✓	✓	279
9WP1224H101	9WP1224H102	9WP1224H101	9WP1224H1D01	—	120×120×38mm	Yes	✓	✓	✓	279
9WP1224H1011	9WP1224H1021	9WP1224H1011	9WP1224H1D011	—	120×120×38mm	No	✓	✓	✓	279
9WP1248H101	9WP1248H102	9WP1248H101	9WP1248H1D01	—	120×120×38mm	Yes	✓	✓	✓	279
9WP1248H1011	9WP1248H1021	9WP1248H1011	9WP1248H1D011	—	120×120×38mm	No	✓	✓	✓	279
9WS0812F401	9WS0812F402	9WS0812F401	9WS0812F4D01	—	80×80×25mm	Yes	✓	✓	✓	263
9WS0812F4011	9WS0812F4021	9WS0812F4011	—	—	80×80×25mm	No	✓	✓	✓	263

Please contact your point of sale regarding low-speed sensors.

Models listed in the main section of this catalog	List of models (models not listed in the main section of this catalog are options. Standards for optional model numbers may differ from the certified standards listed at right. Contact us for details of models with "-" model numbers.)				Frame Size	Rib	Standard (certification status is for the models listed in this catalog, and standards for optional model numbers may differ.)			page
	Without sensor	With pulse sensor	With lock sensor	With PWM control function and pulse sensor			UL (cUL)	CSA (cUL)	TÜV	
							✓	✓	✓	
9WS0812H401	9WS0812H402	9WS0812H401	—	—	80×80×25mm	Yes	✓	✓	✓	263
9WS0812H4011	9WS0812H4021	9WS0812H4011	—	—	80×80×25mm	No	✓	✓	✓	263
9WS0812M401	9WS0812M402	9WS0812M401	9WS0812M4D01	—	80×80×25mm	Yes	✓	✓	✓	263
9WS0812M4011	9WS0812M4021	9WS0812M4011	—	—	80×80×25mm	No	✓	✓	✓	263
9WS0824F401	9WS0824F402	9WS0824F401	—	—	80×80×25mm	Yes	✓	✓	✓	263
9WS0824F4011	9WS0824F4021	9WS0824F4011	—	—	80×80×25mm	No	✓	✓	✓	263
9WS0824H401	9WS0824H402	9WS0824H401	9WS0824H4D01	—	80×80×25mm	Yes	✓	✓	✓	263
9WS0824H4011	9WS0824H4021	9WS0824H4011	—	—	80×80×25mm	No	✓	✓	✓	263
9WS0824M401	9WS0824M402	9WS0824M401	9WS0824M4D01	—	80×80×25mm	Yes	✓	✓	✓	263
9WS0824M4011	9WS0824M4021	9WS0824M4011	—	—	80×80×25mm	No	✓	✓	✓	263
9WS0912F401	9WS0912F402	9WS0912F401	9WS0912F4D01	—	92×92×25mm	Yes	✓	✓	✓	271
9WS0912H401	9WS0912H402	9WS0912H401	—	—	92×92×25mm	Yes	✓	✓	✓	271
9WS0912L401	9WS0912L402	9WS0912L401	—	—	92×92×25mm	Yes	✓	✓	✓	271
9WS0912M401	9WS0912M402	9WS0912M401	—	—	92×92×25mm	Yes	✓	✓	✓	271
9WS0924F401	9WS0924F402	9WS0924F401	—	—	92×92×25mm	Yes	✓	✓	✓	271
9WS0924H401	9WS0924H402	9WS0924H401	9WS0924H4D01	—	92×92×25mm	Yes	✓	✓	✓	271
9WS0924L401	9WS0924L402	9WS0924L401	—	—	92×92×25mm	Yes	✓	✓	✓	271
9WS0924M401	9WS0924M402	9WS0924M401	9WS0924M4D01	—	92×92×25mm	Yes	✓	✓	✓	271
9WS1212H101	9WS1212H102	9WS1212H101	—	—	120×120×38mm	Yes	✓	✓	✓	283
9WS1212H1011	9WS1212H1021	9WS1212H1011	—	—	120×120×38mm	No	✓	✓	✓	283
9WS1212M101	9WS1212M102	9WS1212M101	—	—	120×120×38mm	Yes	✓	✓	✓	283
9WS1212M1011	9WS1212M1021	9WS1212M1011	—	—	120×120×38mm	No	✓	✓	✓	283
9WS1224H101	9WS1224H102	9WS1224H101	—	—	120×120×38mm	Yes	✓	✓	✓	283
9WS1224H1011	9WS1224H1021	9WS1224H1011	—	—	120×120×38mm	No	✓	✓	✓	283
9WS1224M101	9WS1224M102	9WS1224M101	—	—	120×120×38mm	Yes	✓	✓	✓	283
9WS1224M1011	9WS1224M1021	9WS1224M1011	—	—	120×120×38mm	No	✓	✓	✓	283
9WS1248H101	9WS1248H102	9WS1248H101	9WS1248H1D01	—	120×120×38mm	Yes	✓	✓	✓	283
9WS1248H1011	9WS1248H1021	9WS1248H1011	9WS1248H1D011	—	120×120×38mm	No	✓	✓	✓	283
9WS1248M101	9WS1248M102	9WS1248M101	9WS1248M1D01	—	120×120×38mm	Yes	✓	✓	✓	283
9WS1248M1011	9WS1248M1021	9WS1248M1011	9WS1248M1D011	—	120×120×38mm	No	✓	✓	✓	283
9WV0812P1M001	—	9WV0812M1001	9WV0812M1D001	9WV0812P1M001	80×80×38mm	Yes	✓	✓	✓	265
9WV0848P1H001	—	—	—	9WV0848P1H001	80×80×38mm	Yes	✓	✓	✓	265
9WV0848P1H0011	—	—	—	9WV0848P1H0011	80×80×38mm	No	✓	✓	✓	265
9WV0924P1H001	—	—	—	9WV0924P1H001	92×92×38mm	Yes	✓	✓	✓	275
9WV0948P1H001	—	—	—	9WV0948P1H001	92×92×38mm	Yes	✓	✓	✓	275
9WV1212P1J001	9WV1212J1002	—	—	9WV1212P1J001	120×120×38mm	No	✓	✓	✓	277
9WV1224P1H001	9WV1224H102	9WV1224H101	9WV1224H1D001	9WV1224P1H001	120×120×38mm	No	✓	✓	✓	277
9WV1224P1J601	—	9WV1224J1001	—	9WV1224P1J601	120×120×38mm	No	✓	✓	✓	277
9WV1248P1J001	9WV1248J1002	9WV1248J1001	9WV1248J1D001	9WV1248P1J001	120×120×38mm	No	✓	✓	✓	277

Please contact your point of sale regarding low-speed sensors.

Index by Model No./Safety Standards List - ACDC Fans **AC**

Models listed in the main section of this catalog	Frame Size	Model	Rated Voltage [V]	UL (cUL)	CSA (cUL)	TÜV	CE	PSE	Note	page
9AD0901H12	92×92×38mm	San Ace 92AD	100 to 240	✓	✓	✓	✓	✓	Ribbed	413
9AD0901H121	92×92×38mm	San Ace 92AD	100 to 240	✓	✓	✓	✓	✓	Ribless	413
9AD0901H1H	92×92×38mm	San Ace 92AD	100 to 240	✓	✓	✓	✓	✓	Ribbed	413
9AD0901H1H1	92×92×38mm	San Ace 92AD	100 to 240	✓	✓	✓	✓	✓	Ribless	413
9AD0901M12	92×92×38mm	San Ace 92AD	100 to 240	✓	✓	✓	✓	✓	Ribbed	413
9AD0901M121	92×92×38mm	San Ace 92AD	100 to 240	✓	✓	✓	✓	✓	Ribless	413
9AD0901M1H	92×92×38mm	San Ace 92AD	100 to 240	✓	✓	✓	✓	✓	Ribbed	413
9AD0901M1H1	92×92×38mm	San Ace 92AD	100 to 240	✓	✓	✓	✓	✓	Ribless	413
9AD1201H12	120×120×38mm	San Ace 120AD	100 to 240	✓	✓	✓	✓	✓	Ribbed	417
9AD1201H121	120×120×38mm	San Ace 120AD	100 to 240	✓	✓	✓	✓	✓	Ribless	417
9AD1201H1H	120×120×38mm	San Ace 120AD	100 to 240	✓	✓	✓	✓	✓	Ribbed	417
9AD1201H1H1	120×120×38mm	San Ace 120AD	100 to 240	✓	✓	✓	✓	✓	Ribless	417

Please contact your point of sale for pulse sensors and lock sensors.

Index by Model No./Safety Standards List - AC Fans **AC**

Models listed in the main section of this catalog	Frame Size	Model	Rated Voltage [V]	UL	CSA	TÜV	CE	PSE	Note	page
109-033UL	80×80×42mm	San Ace 80	115	✓	✓	✓	✓	✓		433
109-040UL	80×80×42mm	San Ace 80	100	✓	✓	✓	✓	✓		433
109-041UL	80×80×42mm	San Ace 80	200	✓	✓	✓	✓	✓		433
109-043UL	80×80×42mm	San Ace 80	115	✓	✓	✓	✓	✓		433
109-044UL	80×80×42mm	San Ace 80	230	✓	✓	✓	✓	✓		433
109-047UL	80×80×42mm	San Ace 80	100	✓	✓	✓	✓	✓		433
109-130	60×60×38mm	San Ace 60	100	✓	—	✓	✓	—		425
109-133	60×60×38mm	San Ace 60	115	✓	—	✓	✓	—		425
109-150	80×80×38mm	San Ace 80	100	✓	✓	✓	✓	✓		431
109-151	80×80×38mm	San Ace 80	200	✓	✓	✓	✓	✓		431
109-153	80×80×38mm	San Ace 80	115	✓	✓	✓	✓	✓		431
109-154	80×80×38mm	San Ace 80	230	✓	✓	✓	✓	✓		431
109-180	60×60×28mm	San Ace 60	100	✓	—	✓	✓	—		423
109-183	60×60×28mm	San Ace 60	115	✓	—	✓	✓	—		423
109-210	80×80×20mm	San Ace 80	100	✓	✓	✓	✓	—		427
109-213	80×80×20mm	San Ace 80	115	✓	✓	✓	✓	—		427
109-311	φ 172mm×51mm (Round type)	San Ace 172	100	✓	✓	✓	✓	✓		451
109-312	φ 172mm×51mm (Round type)	San Ace 172	200	✓	✓	✓	✓	✓		451
109-313	φ 172mm×51mm (Round type)	San Ace 172	230	✓	✓	✓	✓	✓		451
109-314	φ 172mm×51mm (Round type)	San Ace 172	115	✓	✓	✓	✓	✓		451
109-371	φ 172mm×51mm (with sensor)	San Ace 172	100	✓	—	✓	✓	✓		451
109-372	φ 172mm×51mm (with sensor)	San Ace 172	200	✓	—	✓	✓	✓		451
109-373	φ 172mm×51mm (with sensor)	San Ace 172	230	✓	—	✓	✓	✓		451
109-374	φ 172mm×51mm (with sensor)	San Ace 172	115	✓	—	✓	✓	✓		451
109-601	160×160×51mm	San Ace 160	100	✓	✓	✓	✓	✓		447
109-602	160×160×51mm	San Ace 160	200	✓	✓	✓	✓	✓		447
109-603	160×160×51mm	San Ace 160	230	✓	✓	✓	✓	✓		447
109-604	160×160×51mm	San Ace 160	115	✓	✓	✓	✓	✓		447
109-641	160×160×51mm (with sensor)	San Ace 160	100	✓	—	✓	✓	✓		447
109-642	160×160×51mm (with sensor)	San Ace 160	200	✓	—	✓	✓	✓		447
109-643	160×160×51mm (with sensor)	San Ace 160	230	✓	—	✓	✓	✓		447
109-644	160×160×51mm (with sensor)	San Ace 160	115	✓	—	✓	✓	✓		447
109S005	120×120×38mm	San Ace 120	100	—	—	—	—	✓		443
109S005UL	120×120×38mm	San Ace 120	100	✓	✓	✓	✓	✓		443
109S006	120×120×38mm	San Ace 120	100	—	—	—	—	✓		443
109S006UL	120×120×38mm	San Ace 120	100/115	✓	✓	✓	✓	✓		443
109S008	120×120×38mm	San Ace 120	200	—	—	—	—	✓		443
109S008UL	120×120×38mm	San Ace 120	200	✓	✓	✓	✓	✓		443
109S010	120×120×38mm	San Ace 120	200	—	—	—	—	✓		443
109S010UL	120×120×38mm	San Ace 120	200/240	✓	✓	✓	✓	✓		443
109S013	120×120×38mm	San Ace 120	100	—	—	—	—	✓		443
109S013UL	120×120×38mm	San Ace 120	100	✓	✓	✓	✓	✓		443
109S024	120×120×38mm	San Ace 120	120	—	—	—	—	✓		443
109S024UL	120×120×38mm	San Ace 120	115	✓	✓	✓	✓	✓		443
109S025	120×120×38mm	San Ace 120	230	—	—	—	—	✓		443
109S025UL	120×120×38mm	San Ace 120	230	✓	✓	✓	✓	✓		443
109S029UL	120×120×38mm	San Ace 120	100	✓	✓	✓	✓	✓		443

Models listed in the main section of this catalog	Frame Size	Model	Rated Voltage [V]	UL	CSA	TÜV	CE	PSE	Note	page
109S030	80×80×25mm	San Ace 80	100	✓	✓	✓	✓	✓		429
109S031	80×80×25mm	San Ace 80	200	✓	✓	✓	✓	✓		429
109S033	80×80×25mm	San Ace 80	115	✓	✓	✓	✓	✓		429
109S034	80×80×25mm	San Ace 80	230	✓	✓	✓	✓	✓		429
109S050	80×80×25mm	San Ace 80	100	✓	✓	✓	✓	✓		429
109S051	80×80×25mm	San Ace 80	200	✓	✓	✓	✓	✓		429
109S053	80×80×25mm	San Ace 80	115	✓	✓	✓	✓	✓		429
109S054	80×80×25mm	San Ace 80	230	✓	✓	✓	✓	✓		429
109S072UL	120×120×38mm	San Ace 120	230	✓	✓	✓	✓	✓		443
109S074UL	120×120×38mm	San Ace 120	115	✓	✓	✓	✓	✓		443
109S075UL	120×120×38mm	San Ace 120	100	✓	✓	✓	✓	✓		443
109S078UL	120×120×38mm	San Ace 120	200	✓	✓	✓	✓	✓		443
109S081	120×120×25mm	San Ace 120	100	✓	✓	✓	✓	✓		439
109S082	120×120×25mm	San Ace 120	200	✓	✓	✓	✓	✓		439
109S083	120×120×25mm	San Ace 120	115	✓	✓	✓	✓	✓		439
109S084	120×120×25mm	San Ace 120	115	✓	✓	✓	✓	✓		439
109S085	120×120×25mm	San Ace 120	100	✓	✓	✓	✓	✓		439
109S086	120×120×25mm	San Ace 120	100	✓	✓	✓	✓	✓		439
109S087	120×120×25mm	San Ace 120	230	✓	✓	✓	✓	✓		439
109S088	120×120×25mm	San Ace 120	200	✓	✓	✓	✓	✓		439
109S089	120×120×25mm	San Ace 120	230	✓	✓	✓	✓	✓		439
109S091	92×92×25mm	San Ace 92	100	✓	✓	✓	✓	✓		435
109S092	92×92×25mm	San Ace 92	200	✓	✓	✓	✓	✓		435
109S093	92×92×25mm	San Ace 92	115	✓	✓	✓	✓	✓		435
109S094	92×92×25mm	San Ace 92	230	✓	✓	✓	✓	✓		435
109S095	92×92×25mm	San Ace 92	100	✓	✓	✓	✓	✓		435
109S096	92×92×25mm	San Ace 92	100	✓	✓	✓	✓	✓		435
109S192	92×92×25mm	San Ace 92	200	✓	✓	✓	✓	✓		435
109S193	92×92×25mm	San Ace 92	115	✓	✓	✓	✓	✓		435
109S194	92×92×25mm	San Ace 92	230	✓	✓	✓	✓	✓		435
109S301	φ172mm×150mm×51mm (Sidecut type)	San Ace 172	100	✓	✓	✓	✓	✓		449
109S302	φ172mm×150mm×51mm (Sidecut type)	San Ace 172	200	✓	✓	✓	✓	✓		449
109S303	φ172mm×150mm×51mm (Sidecut type)	San Ace 172	230	✓	✓	✓	✓	✓		449
109S304	φ172mm×150mm×51mm (Sidecut type)	San Ace 172	115	✓	✓	✓	✓	✓		449
109S405UL	120×120×38mm (with sensor)	San Ace 120	100	✓	—	✓	✓	✓		443
109S406UL	120×120×38mm (with sensor)	San Ace 120	100	✓	—	✓	✓	✓		443
109S408UL	120×120×38mm (with sensor)	San Ace 120	200	✓	—	✓	✓	✓		443
109S424UL	120×120×38mm (with sensor)	San Ace 120	115	✓	—	✓	✓	✓		443
109S425UL	120×120×38mm (with sensor)	San Ace 120	230	✓	—	✓	✓	✓		443
109S429UL	120×120×38mm (with sensor)	San Ace 120	100	✓	—	✓	✓	✓		443
109S472UL	120×120×38mm (with sensor)	San Ace 120	230	✓	—	✓	✓	✓		443
109S474UL	120×120×38mm (with sensor)	San Ace 120	115	✓	—	✓	✓	✓		443
109S475UL	120×120×38mm (with sensor)	San Ace 120	100	✓	—	✓	✓	✓		443
109S478UL	120×120×38mm (with sensor)	San Ace 120	200	✓	—	✓	✓	✓		443
109S484	120×120×25mm (with sensor)	San Ace 120	115	✓	—	✓	✓	✓		439
109S485	120×120×25mm (with sensor)	San Ace 120	100	✓	—	✓	✓	✓		439
109S486	120×120×25mm (with sensor)	San Ace 120	100	✓	—	✓	✓	✓		439
109S487	120×120×25mm (with sensor)	San Ace 120	230	✓	—	✓	✓	✓		439
109S488	120×120×25mm (with sensor)	San Ace 120	200	✓	—	✓	✓	✓		439
109S491	92×92×25mm (with sensor)	San Ace 92	100	✓	—	✓	✓	✓		435
109S492	92×92×25mm (with sensor)	San Ace 92	200	✓	—	✓	✓	✓		435
109S493	92×92×25mm (with sensor)	San Ace 92	115	✓	—	✓	✓	✓		435
109S494	92×92×25mm (with sensor)	San Ace 92	230	✓	—	✓	✓	✓		435
109S495	92×92×25mm (with sensor)	San Ace 92	100	✓	—	✓	✓	✓		435
109S496	92×92×25mm (with sensor)	San Ace 92	100	✓	—	✓	✓	✓		435

Index by Model No. - Options

■ Finger Guards **DC** **AC**

Model No.	Category	Matching Fan Size	page
109-019C	Finger Guards	120mm sq. type	470
109-019E	Finger Guards	120mm sq. type	471
109-019H	Finger Guards	120mm sq. type	470
109-019K	Finger Guards	120mm sq. type	471
109-049C	Finger Guards	80mm sq. type	470
109-049E	Finger Guards	80mm sq. type	470
109-049H	Finger Guards	80mm sq. type	470
109-059	Finger Guards	40mm sq. type	470
109-059H	Finger Guards	40mm sq. type	470
109-099C	Finger Guards	92mm sq. type	470
109-099E	Finger Guards	92mm sq., ϕ 100mm type	470
109-099H	Finger Guards	92mm sq., ϕ 100mm type	470
109-1050	Finger Guards	36mm sq. type	470
109-1051	Finger Guards	150mm sq. type	471
109-1052	Finger Guards	150mm sq. type	471
109-1065	Finger Guards	38mm sq. type	470
109-1066	Finger Guards	ϕ 172mm type	472
109-1068	Finger Guards	ϕ 172mm type	472
109-1102	Finger Guards	ϕ 200mm type	472
109-1103	Finger Guards	ϕ 200mm type	473
109-1104	Finger Guards	ϕ 150mm type	471
109-1104H	Finger Guards	ϕ 150mm type	471
109-1112	Finger Guards	ϕ 133mm type	471
109-1128	Finger Guards	72mm sq. type	470
109-1137	Finger Guards	ϕ 225mm type	473
109-1138	Finger Guards	ϕ 221mm type	473
109-1139	Finger Guards	ϕ 136mm type	471
109-1146	Finger Guards	270mm sq. type	472
109-139E	Finger Guards	60mm sq. type	470
109-139H	Finger Guards	60mm sq. type	470
109-149	Finger Guards	52mm sq. type	470
109-149E	Finger Guards	52mm sq. type	470
109-319E	Finger Guards	ϕ 172mm type	472
109-319H	Finger Guards	ϕ 172mm type	472
109-319J	Finger Guards	ϕ 172mm type	472
109-320	Finger Guards	ϕ 172mm type	472
109-619E	Finger Guards	160mm sq. type	471
109-619H	Finger Guards	160mm sq. type	471
109-620	Finger Guards	160mm sq. type	471
109-719	Finger Guards	140mm sq. type	471
109-719H	Finger Guards	140mm sq. type	471
109-720	Finger Guards	ϕ 200mm type	473
109-720H	Finger Guards	ϕ 200mm type	473
109-721	Finger Guards	ϕ 200mm type	473
109-721H	Finger Guards	ϕ 200mm type	473
109-722	Finger Guards	127mm sq., ϕ 175mm type	471
109-723	Finger Guards	127mm sq. type	471

■ Resin Finger Guards/Resin Filter Kits **DC** **AC**

Model No.	Category	Matching Fan Size	page
109-1000F13	Resin Filter Kits	120mm sq. type	475
109-1000F20	Resin Filter Kits	120mm sq. type	475
109-1000F30	Resin Filter Kits	120mm sq. type	475
109-1000F40	Resin Filter Kits	120mm sq. type	475
109-1001F13	Resin Filter Kits	92mm sq. type	475
109-1001F20	Resin Filter Kits	92mm sq. type	475
109-1001F30	Resin Filter Kits	92mm sq. type	475
109-1001F40	Resin Filter Kits	92mm sq. type	475
109-1002F13	Resin Filter Kits	80mm sq. type	475
109-1002F20	Resin Filter Kits	80mm sq. type	475
109-1002F30	Resin Filter Kits	80mm sq. type	475
109-1002F40	Resin Filter Kits	80mm sq. type	475
109-1003F13	Resin Filter Kits	60mm sq. type	475
109-1003F20	Resin Filter Kits	60mm sq. type	475
109-1003F30	Resin Filter Kits	60mm sq. type	475
109-1003F40	Resin Filter Kits	60mm sq. type	475
109-1000G	Resin Finger Guards	120mm sq. type	475
109-1001G	Resin Finger Guards	92mm sq. type	475
109-1002G	Resin Finger Guards	80mm sq. type	475
109-1003G	Resin Finger Guards	60mm sq. type	475

■ Replacement filter **DC** **AC**

Model No.	Category	Matching Fan Size	page
109-1000M13	Replacement filter	120mm sq. type	475
109-1000M20	Replacement filter	120mm sq. type	475
109-1000M30	Replacement filter	120mm sq. type	475
109-1000M40	Replacement filter	120mm sq. type	475
109-1001M13	Replacement filter	92mm sq. type	475
109-1001M20	Replacement filter	92mm sq. type	475
109-1001M30	Replacement filter	92mm sq. type	475
109-1001M40	Replacement filter	92mm sq. type	475
109-1002M13	Replacement filter	80mm sq. type	475
109-1002M20	Replacement filter	80mm sq. type	475
109-1002M30	Replacement filter	80mm sq. type	475
109-1002M40	Replacement filter	80mm sq. type	475
109-1003M13	Replacement filter	60mm sq. type	475
109-1003M20	Replacement filter	60mm sq. type	475
109-1003M30	Replacement filter	60mm sq. type	475
109-1003M40	Replacement filter	60mm sq. type	475

■ EMC guards/Inlet nozzle for centrifugal fan and splash proof centrifugal fan **DC**

Model No.	Category	Matching Fan Size	page
109-1036	EMC guards	φ 172mm type	474
109-1037	EMC guards	120mm sq. type	474
109-1038	EMC guards	80mm sq. type	474
109-1039	EMC guards	80mm sq. type	474
109-1040	EMC guards	92mm sq. type	474
109-1069	Inlet nozzle for centrifugal fan and splash proof centrifugal fan	φ 133mm type	473
109-1069H	Inlet nozzle for centrifugal fan and splash proof centrifugal fan	φ 133mm type	473
109-1073	Inlet nozzle for centrifugal fan and splash proof centrifugal fan	φ 175mm type	474
109-1073H	Inlet nozzle for centrifugal fan and splash proof centrifugal fan	φ 175mm type	474
109-1080	Inlet nozzle for centrifugal fan and splash proof centrifugal fan	φ 100mm type	473
109-1081	Inlet nozzle for centrifugal fan and splash proof centrifugal fan	φ 150mm type	474
109-1081H	Inlet nozzle for centrifugal fan and splash proof centrifugal fan	φ 150mm type	474
109-1134	Inlet nozzle for centrifugal fan and splash proof centrifugal fan	φ 225mm type	474
109-1135	Inlet nozzle for centrifugal fan and splash proof centrifugal fan	φ 221mm type	474

■ Plug Cord **AC**

Model No.	UL	CSA	PSE	Applicable model	page
489-006-L10			✓	120×120×38mm	477
489-006-L21			✓	120×120×38mm	477
489-006-L35			✓	120×120×38mm	477
489-007-L10	✓	✓		120×120×38mm	478
489-007-L21	✓	✓		120×120×38mm	478
489-008-L10			✓	80×80×42mm	477
489-008-L21			✓	80×80×42mm	477
489-008-L35			✓	80×80×42mm	477
489-016-L10			✓	120×120×25mm 92×92×25mm 80×80×25mm 80×80×38mm	477
489-016-L21			✓	120×120×25mm 92×92×25mm 80×80×25mm 80×80×38mm	477
489-037-L10			✓	120×120×38mm	477
489-037-L21			✓	120×120×38mm	477
489-037-L35			✓	120×120×38mm	477
489-047-L10	✓	✓		120×120×25mm 92×92×25mm 80×80×25mm 80×80×38mm	478
489-047-L21	✓	✓		120×120×25mm 92×92×25mm 80×80×25mm 80×80×38mm	478
489-084-L10	✓	✓		φ 172×51mm φ 172×150×51mm 160×160×51mm	478
489-084-L21	✓	✓		φ 172×51mm φ 172×150×51mm 160×160×51mm	478
489-086-L10	✓	✓		160×160×51mm	478
489-086-L21	✓	✓		160×160×51mm	478
489-1618-L10			✓	160×160×51mm	477
489-1618-L21			✓	160×160×51mm	477
489-1618-L28			✓	160×160×51mm	477
489-1619-L10			✓	φ 172×51mm φ 172×150×51mm 160×160×51mm	477
489-1619-L21			✓	φ 172×51mm φ 172×150×51mm 160×160×51mm	477
489-1635-L10	✓	✓	✓	ACDC Fan	478
489-1635-L21	✓	✓	✓		

Recommended connectors for DC fans ····· 479p

Deleted Models in this Catalog

Following models were deleted in this latest version of catalog. However, these models are not discontinued product. Please contact us for further assistance if necessary.

■ DC Fan

Size	Model No.	Frame material	Rated Voltage [V]	Operating Voltage Range [V]	Rated Current [A]	Rated Input [W]	Rated Speed [min ⁻¹]	Max. Airflow [m ³ /min] [CFM]	Max. Static Pressure [Pa] [inchH ₂ O]	SPL [dB(A)]	Operating Temperature [°C]	Life Expectancy [h]
92 × 92 × 25mm	109P0912J401	Plastics	12	6 to 13.8	0.56	6.72	4,300	2.03 71.6	92.2 0.37	47	- 20 to + 60	40,000
92 × 92 × 25mm	109P0912W401	Plastics	12	6 to 16	0.21	2.52	2,850	1.45 51.2	45 0.181	33	- 20 to + 70	40,000
92 × 92 × 25mm	109P0912H401	Plastics	12	10.2 to 13.8	0.21	2.52	2,850	1.45 51.2	45 0.181	33	- 20 to + 70	40,000
92 × 92 × 25mm	109P0912F401	Plastics	12	10.2 to 13.8	0.14	1.68	2,450	1.24 43.8	32.3 0.130	30	- 20 to + 70	40,000
92 × 92 × 25mm	109P0912M401	Plastics	12	10.2 to 13.8	0.1	1.2	2,100	1.04 36.7	23.5 0.094	27	- 20 to + 70	40,000
92 × 92 × 25mm	109P0912L401	Plastics	12	10.2 to 13.8	0.07	0.84	1,700	0.8 28.3	16.6 0.067	23	- 20 to + 70	40,000
92 × 92 × 25mm	109P0924W401	Plastics	24	12 to 30	0.12	2.88	2,850	1.45 51.2	45 0.181	33	- 20 to + 70	40,000
92 × 92 × 25mm	109P0924H401	Plastics	24	20.4 to 27.6	0.12	2.88	2,850	1.45 51.2	45 0.181	33	- 20 to + 70	40,000
92 × 92 × 25mm	109P0924F401	Plastics	24	20.4 to 27.6	0.08	1.92	2,450	1.24 43.8	32.3 0.130	30	- 20 to + 70	40,000
92 × 92 × 25mm	109P0924M401	Plastics	24	20.4 to 27.6	0.06	1.44	2,100	1.04 36.7	23.5 0.094	27	- 20 to + 70	40,000
92 × 92 × 25mm	109P0924L401	Plastics	24	20.4 to 27.6	0.05	1.2	1,700	0.8 28.3	16.6 0.067	23	- 20 to + 70	40,000
92 × 92 × 25mm	109P0948H401	Plastics	48	43 to 53	0.06	2.88	2,850	1.45 51.2	45 0.181	33	- 20 to + 70	40,000
φ 200mm × 70mm	109E2024S001	Aluminum	24	21.6 to 26.4	1.9	45.6	3,200	10.45 369	287.1 1.153	57	- 10 to + 70	40,000
φ 200mm × 70mm	109E2024H001	Aluminum	24	20.4 to 27.6	1.0	24	2,600	8.2 289.5	192 0.771	51	- 10 to + 70	40,000
					1.9	45.6	3,200	10.45 369	287.1 1.153	57	- 10 to + 70	40,000
φ 200mm × 70mm	109E2024AS001	Aluminum	24	21.6 to 26.4	1.45	34.8	2,800	9 317.8	215.6 0.865	54	- 10 to + 70	40,000
					1.0	24	2,600	8.2 289.5	192 0.771	51	- 10 to + 70	40,000
φ 200mm × 70mm	109E2024MH001	Aluminum	24	20.4 to 27.6	0.63	15.12	2,100	6.7 236.6	115.4 0.463	45	- 10 to + 70	40,000
					1.0	24	2,600	8.2 289.5	192 0.771	51	- 10 to + 70	40,000

■ Counter Rotating Fan

Size	Model No.	Frame material	Rated Voltage [V]	Operating Voltage Range [V]	Rated Current [A]	Rated Input [W]	Rated Speed [min ⁻¹]		Max. Airflow [m ³ /min] [CFM]		Max. Static Pressure [Pa] [inchH ₂ O]		SPL [dB(A)]	Operating Temperature [°C]	Life Expectancy [h]
							Inlet	Outlet							
40 × 40 × 56mm	9CRA0412K501	Plastics	12	10.8 to 12.6	1.8	21.6	17,000	13,000	0.95 33.5	650 2.61	65	- 20 to + 60	40,000		
40 × 40 × 56mm	9CRA0412J501	Plastics	12	10.8 to 13.2	1.4	16.8	15,800	12,200	0.9 31.8	570 2.29	62	- 20 to + 70	40,000		
40 × 40 × 56mm	9CRA0412G501	Plastics	12	10.8 to 13.2	1.0	12	14,000	10,400	0.77 27.2	435 1.75	59	- 20 to + 70	40,000		
60 × 60 × 76mm	9CR0612S001	Plastics	12	10.8 to 13.2	3.2	38.4	11,500	7,000	2.26 80	550 2.21	66	- 10 to + 60	40,000		
60 × 60 × 76mm	9CR0612H001	Plastics	12	10.8 to 13.2	2.7	32.4	10,300	6,500	1.98 70	450 1.81	64	- 10 to + 60	40,000		
80 × 80 × 80mm	9CR0812S801	Plastics	12	10.8 to 13.2	5.5	66.0	8,000	5,300	4.53 160	520 2.09	71	- 10 to + 60	40,000		
80 × 80 × 80mm	9CR0812H801	Plastics	12	10.8 to 13.2	3.6	43.2	7,000	4,600	3.97 140	400 1.61	68	- 10 to + 60	40,000		

Size	Model No.	Frame material	Rated Voltage [V]	PWM Frequency [kHz]	Rated Current [A]	Rated Speed [min ⁻¹]		Max. Airflow [m ³ /min] [CFM]		Max. Static Pressure [Pa] [inchH ₂ O]		SPL [dB(A)]	Expected Life [h]
						Duty Cycle 0%	Duty Cycle 100%						
60 × 60 × 76mm	9CR0612P0S03	Plastics	12	25.0	3.2	Inlet : 1,300 outlet : 800	Inlet : 11,500 outlet : 7,000	2.26	79.8	550	2.21	66	40,000
	9CR0612P0H03	Plastics	12	25.0	2.7	Inlet : 1,200 outlet : 800	Inlet : 10,300 outlet : 6,500	1.98	69.91	450	1.81	64	40,000
80 × 80 × 80mm	9CR0848P8S03	Plastics	48	25.0	1.29	Inlet : 2,000 outlet : 1,300	Inlet : 8,000 outlet : 5,300	4.53	159.95	520	2.09	71	40,000

Deleted models in this catalog

Splash Proof Fan

Size	Model No.	Frame material	Rated Voltage [V]	Operating Voltage Range [V]	Rated Current [A]	Rated Input [W]	Rated Speed [min ⁻¹]	Max. Airflow [m ³ /min] [CFM]	Max. Static Pressure [Pa] [inchH ₂ O]	SPL [dB(A)]	Operating Temperature [°C]	Life Expectancy [h]
80 × 80 × 25mm	109W0812H401-U	Aluminum	12	10.2 to 13.8	0.18	2.16	3,000	1.06 37.4	39.2 0.157	32	-10 to +70	100,000
80 × 80 × 25mm	109W0812F401-U	Aluminum	12	10.2 to 13.8	0.14	1.68	2,700	0.93 32.8	32.3 0.130	29	-10 to +70	100,000
80 × 80 × 25mm	109W0812M401-U	Aluminum	12	10.2 to 13.8	0.10	1.20	2,400	0.83 29.3	26.5 0.106	26	-10 to +70	100,000
80 × 80 × 25mm	109W0812L401-U	Aluminum	12	10.2 to 13.8	0.08	0.96	1,900	0.63 22.2	16.67 0.067	22	-10 to +70	100,000
80 × 80 × 25mm	109W0824H401-U	Aluminum	24	20.4 to 27.6	0.09	2.16	3,000	1.06 37.4	39.2 0.157	32	-10 to +70	100,000
80 × 80 × 25mm	109W0824F401-U	Aluminum	24	20.4 to 27.6	0.08	1.92	2,700	0.93 32.8	32.3 0.130	29	-10 to +70	100,000
80 × 80 × 25mm	109W0824M401-U	Aluminum	24	20.4 to 27.6	0.07	1.68	2,400	0.83 29.3	26.5 0.106	26	-10 to +70	100,000
80 × 80 × 25mm	109W0824L401-U	Aluminum	24	20.4 to 27.6	0.05	1.20	1,900	0.63 22.2	16.67 0.067	22	-10 to +70	100,000
80 × 80 × 25mm	109W0848H401-U	Aluminum	48	40.8 to 55.2	0.06	2.88	3,150	1.10 38.8	43.1 0.173	34	-10 to +70	100,000
92 × 92 × 25mm	109W0912H401-U	Aluminum	12	10.2 to 13.8	0.21	2.52	2,850	1.38 48.7	45.1 0.181	33	-10 to +70	100,000
92 × 92 × 25mm	109W0912F401-U	Aluminum	12	10.2 to 13.8	0.14	1.68	2,450	1.18 41.7	32.3 0.130	30	-10 to +70	100,000
92 × 92 × 25mm	109W0912M401-U	Aluminum	12	10.2 to 13.8	0.11	1.32	2,100	1.01 35.7	23.5 0.094	27	-10 to +70	100,000
92 × 92 × 25mm	109W0912L401-U	Aluminum	12	10.2 to 13.8	0.08	0.96	1,700	0.80 28.2	16.7 0.067	23	-10 to +70	100,000
92 × 92 × 25mm	109W0924H401-U	Aluminum	24	20.4 to 27.6	0.12	2.88	2,850	1.38 48.7	45.1 0.181	33	-10 to +70	100,000
92 × 92 × 25mm	109W0924F401-U	Aluminum	24	20.4 to 27.6	0.08	1.92	2,450	1.18 41.7	32.3 0.130	30	-10 to +70	100,000
92 × 92 × 25mm	109W0924M401-U	Aluminum	24	20.4 to 27.6	0.06	1.44	2,100	1.01 35.7	23.5 0.094	27	-10 to +70	100,000
92 × 92 × 25mm	109W0924L401-U	Aluminum	24	20.4 to 27.6	0.05	1.20	1,700	0.80 28.2	16.7 0.067	23	-10 to +70	100,000
92 × 92 × 25mm	109W0948H401-U	Aluminum	48	40.8 to 55.2	0.06	2.88	2,850	1.38 48.7	45.1 0.181	33	-10 to +70	100,000

Long Life Fan

Size	Model No.	Frame material	Rated Voltage [V]	Operating Voltage Range [V]	Rated Current [A]	Rated Input [W]	Rated Speed [min ⁻¹]	Max. Airflow [m ³ /min] [CFM]	Max. Static Pressure [Pa] [inchH ₂ O]	SPL [dB(A)]	Operating Temperature [°C]	Life Expectancy [h]
60 × 60 × 25mm	109L0612G401	Aluminum	12	10.2 to 13.8	0.24	2.88	5,600	0.78 27.5	87.3 0.35	39	-20 to +70	100,000
60 × 60 × 25mm	109L0612S401	Aluminum	12	10.2 to 13.8	0.17	2.04	4,600	0.65 23.0	56.8 0.228	33	-20 to +70	100,000
60 × 60 × 25mm	109L0612H401	Aluminum	12	10.2 to 13.8	0.11	1.32	3,800	0.53 18.7	40.2 0.161	28	-20 to +70	100,000
60 × 60 × 25mm	109L0612F401	Aluminum	12	10.2 to 13.8	0.09	1.08	3,200	0.44 15.5	29.4 0.118	24	-20 to +70	100,000
60 × 60 × 25mm	109L0612M401	Aluminum	12	10.2 to 13.8	0.06	0.72	2,600	0.36 12.7	19.6 0.079	20	-20 to +70	100,000
60 × 60 × 25mm	109L0624D401	Aluminum	24	20.4 to 27.6	0.12	2.88	5,150	0.72 25.4	73.8 0.296	37	-20 to +70	100,000
60 × 60 × 25mm	109L0624S401	Aluminum	24	20.4 to 27.6	0.08	1.92	4,600	0.65 23.0	56.8 0.230	33	-20 to +70	100,000
60 × 60 × 25mm	109L0624H401	Aluminum	24	20.4 to 27.6	0.06	1.44	3,800	0.53 18.7	40.2 0.161	28	-20 to +70	100,000
60 × 60 × 25mm	109L0624F401	Aluminum	24	20.4 to 27.6	0.05	1.20	3,200	0.44 15.5	29.4 0.118	24	-20 to +70	100,000
60 × 60 × 25mm	109L0624M401	Aluminum	24	20.4 to 27.6	0.04	0.96	2,600	0.36 12.7	19.6 0.079	20	-20 to +70	100,000
60 × 60 × 25mm	109L0648G401	Aluminum	48	40.8 to 55.2	0.07	3.36	5,600	0.78 27.5	87.3 0.35	39	-20 to +60	80,000
60 × 60 × 25mm	109L0648H401	Aluminum	48	40 to 53	0.04	1.92	3,800	0.53 18.7	40.2 0.161	28	-20 to +70	100,000
80 × 80 × 25mm	109L0812S401	Aluminum	12	10.2 to 13.8	0.26	3.12	3,400	1.2 42.4	50 0.2	37	-20 to +70	100,000
80 × 80 × 25mm	109L0812H401	Aluminum	12	10.2 to 13.8	0.18	2.16	3,000	1.06 37.4	39.2 0.157	32	-20 to +70	100,000
80 × 80 × 25mm	109L0812F401	Aluminum	12	10.2 to 13.8	0.14	1.68	2,700	0.93 32.8	32.3 0.130	29	-20 to +70	100,000
80 × 80 × 25mm	109L0812M401	Aluminum	12	10.2 to 13.8	0.1	1.2	2,400	0.83 29.3	26.5 0.106	26	-20 to +70	100,000
80 × 80 × 25mm	109L0812L401	Aluminum	12	10.2 to 13.8	0.08	0.96	1,900	0.63 22.2	16.7 0.067	22	-20 to +70	100,000
80 × 80 × 25mm	109L0824S401	Aluminum	24	20.4 to 27.6	0.11	2.64	3,400	1.2 42.4	50 0.2	37	-20 to +70	100,000
80 × 80 × 25mm	109L0824H401	Aluminum	24	20.4 to 27.6	0.09	2.16	3,000	1.06 37.4	39.2 0.157	32	-20 to +70	100,000
80 × 80 × 25mm	109L0824F401	Aluminum	24	20.4 to 27.6	0.08	1.92	2,700	0.93 32.8	32.3 0.130	29	-20 to +70	100,000
80 × 80 × 25mm	109L0824M401	Aluminum	24	20.4 to 27.6	0.07	1.68	2,400	0.83 29.3	26.5 0.106	26	-20 to +70	100,000
80 × 80 × 25mm	109L0824L401	Aluminum	24	20.4 to 27.6	0.05	1.2	1,900	0.63 22.2	16.7 0.067	22	-20 to +70	100,000
80 × 80 × 25mm	109L0848H401	Aluminum	48	40.8 to 55.2	0.06	2.88	3,150	1.1 38.8	43.1 0.173	34	-20 to +70	100,000
92 × 92 × 25mm	109L0912S401	Aluminum	12	10.2 to 13.8	0.32	3.84	3,500	1.69 59.7	66.6 0.267	39	-20 to +70	100,000
92 × 92 × 25mm	109L0912H401	Aluminum	12	10.2 to 13.8	0.21	2.52	2,850	1.38 48.7	45.1 0.181	33	-20 to +70	100,000
92 × 92 × 25mm	109L0912F401	Aluminum	12	10.2 to 13.8	0.14	1.68	2,450	1.18 41.7	32.3 0.130	30	-20 to +70	100,000
92 × 92 × 25mm	109L0912M401	Aluminum	12	10.2 to 13.8	0.11	1.32	2,100	1.01 35.7	23.5 0.094	27	-20 to +70	100,000
92 × 92 × 25mm	109L0912L401	Aluminum	12	10.2 to 13.8	0.08	0.96	1,700	0.80 28.2	16.7 0.067	23	-20 to +70	100,000
92 × 92 × 25mm	109L0924H401	Aluminum	24	20.4 to 27.6	0.12	2.88	2,850	1.38 48.7	45.1 0.181	33	-20 to +70	100,000
92 × 92 × 25mm	109L0924F401	Aluminum	24	20.4 to 27.6	0.08	1.92	2,450	1.18 41.7	32.3 0.130	30	-20 to +70	100,000
92 × 92 × 25mm	109L0924M401	Aluminum	24	20.4 to 27.6	0.06	1.44	2,100	1.01 35.7	23.5 0.094	27	-20 to +70	100,000
92 × 92 × 25mm	109L0924L401	Aluminum	24	20.4 to 27.6	0.05	1.2	1,700	0.80 28.2	16.7 0.067	23	-20 to +70	100,000
92 × 92 × 25mm	109L0948C401	Aluminum	48	43 to 53	0.1	4.8	3,400	1.65 58.3	64.2 0.258	38	-20 to +70	80,000
92 × 92 × 25mm	109L0948H401	Aluminum	48	40.8 to 55.2	0.06	2.88	2,850	1.38 48.7	45.1 0.181	33	-20 to +70	100,000
120 × 120 × 38mm	9LB1212H101	Aluminum	12	10.2 to 13.8	0.39	4.68	2,600	2.9 102.4	67.62 0.272	39	-20 to +70	200,000
120 × 120 × 38mm	9LB1212M101	Aluminum	12	10.2 to 13.8	0.22	2.64	2,000	2.2 77.7	42.14 0.169	32	-20 to +70	200,000
120 × 120 × 38mm	9LB1224S101	Aluminum	24	20.4 to 27.6	0.46	11.04	3,500	3.88 137.0	120.8 0.485	48	-20 to +70	100,000
120 × 120 × 38mm	9LB1224H101	Aluminum	24	20.4 to 27.6	0.19	4.56	2,600	2.9 102.4	67.62 0.272	39	-20 to +70	200,000
120 × 120 × 38mm	9LB1224M101	Aluminum	24	20.4 to 27.6	0.11	2.64	2,000	2.2 77.7	42.14 0.169	32	-20 to +70	200,000
120 × 120 × 38mm	9LB1248H101	Aluminum	48	40.8 to 55.2	0.11	5.28	2,600	2.9 102.4	67.62 0.272	39	-20 to +70	200,000
120 × 120 × 38mm	9LB1248M101	Aluminum	48	40.8 to 55.2	0.06	2.88	2,000	2.2 77.7	42.14 0.169	32	-20 to +70	200,000

Thermally Controlled Fan

Size	Model No.	Frame material	Rated Voltage [V]	Operating Voltage Range [V]	Rated Current [A]	Rated Input [W]	Rated Speed [min ⁻¹]	Max. Airflow [m ³ /min] [CFM]	Max. Static Pressure [Pa] [inchH ₂ O]	SPL [dB(A)]	Operating Temperature [°C]	Life Expectancy [h]
52 × 52 × 15mm	109P0512T7H12	Plastics	12	10.2 to 13.8	0.13	1.56	4,600	0.255 9.0	31.9 0.128	27	- 10 to + 70	60,000
					0.09	1.08	2,300	0.13 4.6	8.8 0.035	17		
52 × 52 × 15mm	109P0512T7H122	Plastics	12	10.2 to 13.8	0.13	1.56	4,900	0.27 9.5	36.2 0.145	28	- 10 to + 70	60,000
					0.09	1.08	2,400	0.14 4.9	9.6 0.039	17		
60 × 60 × 15mm	109P0612T7H12	Plastics	12	10.2 to 13.8	0.12	1.44	4,100	0.4 14.1	38.2 0.153	32	- 10 to + 70	60,000
					0.08	0.96	2,050	0.2 7.1	9.3 0.037	18		
60 × 60 × 15mm	109P0612T7H122	Plastics	12	10.2 to 13.8	0.12	1.44	4,300	0.42 14.8	42.0 0.169	32	- 10 to + 70	60,000
					0.08	0.96	2,100	0.2 7.0	9.7 0.039	18		
60 × 60 × 20mm	109P0612T6H12	Plastics	12	10.2 to 13.8	0.15	1.8	4,200	0.42 14.8	31.9 0.128	31	- 10 to + 70	60,000
					0.10	1.2	2,100	0.21 7.4	8.8 0.035	21		
60 × 60 × 20mm	109P0612T6H122	Plastics	12	10.2 to 13.8	0.15	1.8	4,400	0.44 15.5	35.0 0.141	33	- 10 to + 70	60,000
					0.10	1.2	2,150	0.22 7.8	9.2 0.037	21		
60 × 60 × 25mm	109R0612T4H12 109R0612T4H121	Plastics	12	10.2 to 13.8	0.13	1.56	3,800	0.53 18.7	40.2 0.161	28	- 10 to + 60	60,000
					0.10	1.20	1,900	0.26 9.2	9.8 0.039	15		
60 × 60 × 25mm	109R0612T4H122 109R0612T4H123	Plastics	12	10.2 to 13.8	0.13	1.56	3,950	0.55 19.4	41.8 0.168	28	- 10 to + 60	60,000
					0.10	1.20	1,950	0.27 9.5	10.3 0.041	15		
80 × 80 × 20mm	109P0812T6H12	Plastics	12	10.2 to 13.8	0.18	2.16	2,900	0.84 29.7	29.4 0.118	31	- 10 to + 60	60,000
					0.1	1.2	1,450	0.42 14.8	7.4 0.030	18		
80 × 80 × 20mm	109P0812T6H122	Plastics	12	10.2 to 13.8	0.18	2.16	3,050	0.88 31.0	32.5 0.131	32	- 10 to + 60	60,000
					0.1	1.2	1,450	0.42 14.8	7.4 0.030	20		
80 × 80 × 25mm	109R0812T4H12 109R0812T4H121	Plastics	12	10.2 to 13.8	0.14	1.68	2,900	1.03 36.4	35.3 0.142	29	- 10 to + 60	60,000
					0.09	1.08	1,450	0.51 18.0	8.8 0.035	14		
80 × 80 × 25mm	109R0812T4H122 109R0812T4H123	Plastics	12	10.2 to 13.8	0.14	1.68	3,000	1.07 37.8	37.7 0.151	29	- 10 to + 60	60,000
					0.09	1.08	1,450	0.51 18.0	8.8 0.035	14		
92 × 92 × 25mm	109P0912T4H12 109P0912T4H121	Plastics	12	10.2 to 13.8	0.2	2.4	2,850	1.45 51.2	45.1 0.181	33	- 10 to + 60	40,000
					0.1	1.2	1,400	0.71 25.0	11.3 0.045	18		
92 × 92 × 25mm	109P0912T4H122 109P0912T4H123	Plastics	12	10.2 to 13.8	0.2	2.4	3,000	1.52 53.7	50.0 0.201	35	- 10 to + 60	40,000
					0.1	1.2	1,400	0.71 25.0	11.3 0.045	18		
120 × 120 × 25mm	109P1212T4H12 109P1212T4H121	Plastics	12	10.2 to 13.8	0.55	6.6	2,800	2.5 88.3	53.9 0.216	40	- 10 to + 60	40,000
					0.22	2.64	1,400	1.25 44.1	13.7 0.055	25		
120 × 120 × 25mm	109P1212T4H122 109P1212T4H123	Plastics	12	10.2 to 13.8	0.55	6.6	2,800	2.5 88.3	53.9 0.216	40	- 10 to + 60	40,000
					0.22	2.64	1,400	1.25 44.1	13.7 0.055	25		
120 × 120 × 38mm	109R1212T1H12 109R1212T1H121	Plastics	12	10.2 to 13.8	0.48	5.75	2,600	2.9 102.4	64.7 0.260	39	- 10 to + 60	40,000
					0.23	2.76	1,300	1.4 49.4	16.2 0.065	24		
120 × 120 × 38mm	109R1212T1H122 109R1212T1H123	Plastics	12	10.2 to 13.8	0.48	5.75	2,600	2.9 102.4	64.7 0.260	39	- 10 to + 60	40,000
					0.23	2.76	1,300	1.4 49.4	16.2 0.065	24		

Blower

Size	Model No.	Frame material	Rated Voltage [V]	Operating Voltage Range [V]	Rated Current [A]	Rated Input [W]	Rated Speed [min ⁻¹]	Max. Airflow [m ³ /min] [CFM]	Max. Static Pressure [Pa] [inchH ₂ O]	SPL [dB(A)]	Operating Temperature [°C]	Life Expectancy [h]
120 × 32mm	109BF12HC2	Plastics	12	10.2 to 13.8	0.6	7.2	2,400	0.78 27.5	175.4 0.704	52	- 20 to + 60	40,000
120 × 32mm	109BF12MC2	Plastics	12	10.2 to 13.8	0.32	3.84	1,900	0.61 21.5	109.8 0.441	44	- 20 to + 60	40,000
120 × 32mm	109BF24HC2	Plastics	24	20.4 to 27.6	0.3	7.2	2,400	0.78 27.5	175.4 0.704	52	- 20 to + 60	40,000
120 × 32mm	109BF24MC2	Plastics	24	20.4 to 27.6	0.16	3.84	1,900	0.61 21.5	109.8 0.441	44	- 20 to + 60	40,000

• Storage temperature is -30°C to +70°C .

AUSTRALIA**BRAEMAC PTY LTD**

1/59-61 Burrows Road, Alexandria NSW 2015, Australia

TEL: +61 2 9550 6600 FAX: +61 2 9550 6377

**AUSTRALIA****Avnet Electronics Marketing Asia Sydney(NSW)**

9B, 9-11 South Street, Rydalmere NSW 2116, Australia

TEL: +61 2 9585 5511 FAX: +61 2 9585 5519

**AUSTRALIA****Arwon Solutions PTY LTD**

17a Dennis Street Cambellfield Vic 3061, Australia

TEL: +61 3 9308 9085 FAX: +61 3 9308 8644

**AUSTRALIA****Tronics PTY LTD**

85 Northgate Drive, Thomastown VIC 3074, Australia

TEL: +61 3 9464 2400 FAX: +61 3 9464 2538

**BELGIUM****SERVOTRONIC BVBA**

Harmonieleaan 2, 2960 Brecht, Belgium

TEL: +32 3 326 4666 FAX: +32 3 326 1393

**BRAZIL****Newark Electronics Corporation**

Rua Emir Macedo Nogueira, 240, Diadema, Brazil 09961-720

TEL: +55 11 4066 9400 FAX: +55 11 4066 9400

**CANADA****Arrow Electronics, Inc.**

TEL: +1 800 777 2776

**CANADA****Marsh Electronics, Inc.**

TEL: +1 800 236 8327 FAX: +1 414 771 2847

**CANADA****Mouser Electronics, Inc.**

TEL: +1 800 346 6873 FAX: +1 817 804 3899

**CANADA****Newark Electronics Corporation**

TEL: +1 800 463 9275 FAX: +1 888 551 4801

**CANADA****PUI (Projections Unlimited, Inc.)**

TEL: +1 800 551 4405 FAX: +1 949 789 0626

**CANADA****Sager Electronics, Inc.**

TEL: +1 800 724 3780 FAX: +1 905 755 8889

**CANADA****Tonar Industries**

TEL: +1 800 568 6627 FAX: +1 973 586 2075

**CANADA****Epic Technical Sales, Inc.**

1925 18th Avenue NE, Suite 115, Calgary, AB T2E 7T8, Canada

TEL: +1 403 769 1881 FAX: +1 403 769 1881

**CANADA****Pipe-Thompson Technologies Inc.**

1100 Burloak Drive, Suite 300 Burlington, Ontario, Canada L7L 6B2, Canada

TEL: +1 905 332 2758 FAX: +1 905 607 1858

**CANADA****COWPER, INC**

677-7E Avenue Lachine, Montreal, QUE, Canada

TEL: +1 514 637 6746 FAX: +1 514 637 5055

**CHINA****Shanghai TangYuan Electronics & Components Co., Ltd**

Room 417, Building A, No.7001 ZhongChun Road, MingGu Technical Park, Shanghai, China

TEL: +86 21 54796300/+86 21 54462301 FAX: +86 21 54728933

**CHINA****SHANGHAI GO-WELL ELECTRICAL TECHNOLOGY CO.,LTD.**

6th Floor, No.173, Jiangchang 3rd Road, Zhabei District, Shanghai, 200436, China

TEL: +86 21 6630 0101 FAX: +86 21 5080 2962

**CHINA****Shanghai Comtech Electronic Technology Co.Ltd.**

Room 1504 Shanghai Square, No.138 Mid Huaihai Road, Shanghai, 200021, China

TEL: +86 21 63900088 FAX: +86 21 53850872/73

**CHINA****BEIJING GO-WELL YANGHAI ELECTRICAL TECHNOLOGY CO., LTD.**

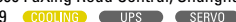
Room 1106, Weixing Building, No.63, Zhichun Road, Haidian District, Beijing 100190, China

TEL: +86 10 8286 7980 FAX: +86 10 8286 7987

**CHINA****MELCO INDUSTRIAL SUPPLIES TRADING (SHANGHAI) CO., LTD**

Flat B, 9/F, DaTong Commercial Tower, No.369 FuXing Road Central, Shanghai 200025, China

TEL: +86 21 6320 1250 FAX: +86 21 6320 0079

**CHINA****广州市美高工业器材有限公司**

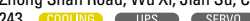
广州市越秀区一德路晏公街 36 号大同商业大厦 1801-1803 室

TEL: +86 20 8326 6170 FAX: +86 20 8326 6180

**CHINA****SHEN SING COMPANY LIMITED (Wu Xi Office)**

18th floor, Unit H, Wah Kwong Building, 333 Zhong Shan Road, Wu Xi, Jian Su, China, 214001

TEL: +86 510 8273 8091 FAX: +86 510 8276 3243

**CHINA****SHANGHAI LVMAC INTERNATIONAL TRADE CO.,LTD**

Rm 2402, Unit C, Guangda Plaza, No.70 Caobao Road, Shanghai-200235, China

TEL: +86 21 6432 6969 FAX: +86 86 21 6432 5092

**CHINA****QuadRep Electronics CO., Ltd (Shanghai)**

Room 1102, Block B, Lane 547, West Tian Mu Rd, Shanghai, China, 200070

TEL: +86 21 6317 5445 FAX: +86 21 6317 6042

**CHINA****SHANGHAI AL-CHARM INTERNATIONAL TRADING CO.,LTD.**

Unit 1303 Haisen International Mansion, No.1 Lane 829, Wanhang Du Road Shanghai, 200042, China

TEL: +86 21 6232 5024/21 6232 5025/21 6232 5026/21 6232 5027 FAX: +86 21 6232 5023

**CHINA****Kunshan Zhanxu Electronics Co., Ltd.**

8 Floor Building 1 Jiayu International Plaza Chunhui Road, Kunshan City, Jiangsu Province, China

TEL: +86 512 5035 7819 FAX: +86 512 5035 7819

**CHINA****TianJin Ringbert Trading International Co.,Ltd**

Room 618, Hua Ying Mansion, Central Avenue, Airport Free Trade Zone, Tianjin, China

TEL: +86 22 8490 6916 FAX: +86 22 8725 0855

**CHINA****广州朗豪自动化科技有限公司**

广州市番禺区大石石北工业路丰晟工业园 G 栋二楼东

TEL: +86 20 8737 0307 FAX: +86 20 8737 0501

**CHINA****GUANGZHOU GO-WELL ELECTRICAL TECHNOLOGY CO.,LTD.**

2001, Huaxin Center, 450 Huanshi East Rd, Guangzhou, Guangdong, 510075, China

TEL: +86 20 2226 3940 FAX: +86 20 2226 3947

**CHINA****北京豐裕聯恒科技有限公司**

北京市朝陽區東土城路 14 号 建達大厦 501 室

TEL: +86 10 84364529 FAX: +86 10 85271505

**CHINA****深圳海诺伟德科技有限公司**

深圳市南山区蛇口南海大道 1077 号北科创业大厦 1003 室

TEL: +86 755 2685 9975 FAX: +86 755 2685 9977

**CHINA****Capital Technology Co., Ltd.**

Room 1601-1603, TianLiao Commercial Building, TaoYuan Street, XiLi, NanShan District, Shenzhen, China

Tel: +86 755 2783 7331 / 2302 9006 FAX: +86 755 230 76120

**CHINA****ARROW ELECTRONICS(SHENZHEN) CO., LTD.**

No 2/3/F, Changpin, Honghua Road, 99 Futian Free Trade Zone, Shenzhen, China

TEL: +86 755 8250 5310 FAX: +86 755 8250 5311

**CHINA****深圳市湘聚实业有限公司**

深圳市南山区沿山路胜发大厦 A 栋三楼

TEL: +86 755 2689 1790 FAX: +86 755 2689 1794

**CHINA****浙江瓦力智能设备有限公司**

浙江省丽水市水阁工业园区龙庆路 291 号 (丽水市机器人产业创业园厂房 G 区域)

TEL: +86 769 8258 1880 FAX: +86 769 8258 1882

**CHINA****深圳市凯荣亚科技有限公司**

深圳市南山区工业八路南路悠然居六州商务中心二楼 35 号房

TEL: +86 755 2682 2456 FAX: +86 755 2682 2456

**CHINA****东莞浩洋自动化设备有限公司**

东莞市宏图路高盛科技大厦 1101 室

TEL: +86 769 89300113 FAX: +86 769 81181876

**CHINA****重庆汉卓科技发展有限公司**

重庆市科园三路 1 号南方星空 15-13

TEL: +86 23 68639783 FAX: +86 23 68621625

**CZECH REPUBLIC****ENIKA spol. s.r.o.**

Vlkov 33, Nova Paka Pod Harfou 933/86 190 00 Praha 9, Czech Republic

TEL: +420 493 77 33 11 FAX: +420 493 77 33 22

**DENMARK****SKAARUP IMCASE A/S**

Lejrvej 31 3500 Vaerlose, Denmark

TEL: +45 4485 0485 FAX: +45 4494 9989

**EGYPT****PONT EGYPT**

4, Aiashwal Street, End of Al Haram Street Giza, Egypt

TEL: +20 2 374 18 247 FAX: +20 106 1 444 501

**EGYPT****EGYELECTRONICS**

48, El-Sharifa Dina Maadi, Maadi, 11431 Cairo, Egypt

TEL: +20 1 6 8828820 FAX: +20 227 515 108



FINLAND**WEXON OY**

P.O. BOX 293 00026 Basware, Finland

TEL: +358 9 290 440 FAX: +358 9 290 44100

**FRANCE****A.E. SERVICE**

Parc Activite du Cret de Mars, 42150 La Ricamarie, France

TEL: +33 04 77 41 21 47 FAX: +33 04 77 25 80 29

**FRANCE****AUBE Electronique**

ZAC de l'écluse des Marots 10800 Saint Thibault, France

TEL: +33 03 25 40 44 41 FAX: +33 03 25 40 44 42

**GERMANY****Avnet EMG GmbH**

Gaussstrasse 10 31275 Lehrte, Germany

TEL: +49 5132 5099 0 FAX: +49 5132 5099 76

**GERMANY****Telemeter Electronic GmbH**

Joseph-Gaensler-strasse 10, 86609 Donauwoerth, Germany

TEL: +49 906 706 93 0 FAX: +49 906 706 93 50

**GERMANY****R.T.A. Deutschland GmbH**

Bublitzer Strasse 34 40599 Duesseldorf, Germany

TEL: +49 211 74966860 FAX: +49 211 74966866

**GERMANY****MJC Elektrotechnik GmbH**

Am Gielbrunnen 17 67304 Eisenberg, Germany

TEL: +49 0 63 51/1 27 67 0 FAX: +49 0 63 51/1 27 67 50

**GERMANY****Tronic One GmbH**

Mühlweg 2b, 82054 Sauerlach, Germany

TEL: +49 0 8104 90951-0 FAX: +49 0 8104 90951-69

**HONGKONG****Melco Industrial Supplies Co., Ltd.**

10th Floor, Billion Plaza 2, No.10 Cheung Yue Street, Cheung Sha Wan, Kowloon, Hong Kong

TEL: +852 2361 0102 FAX: +852 2387 4057

**HUNGARY****Q-TECH Engineering Ltd. & Co.**

Batthyany Lajos U. 8., 1161 Budapest, Hungary

TEL: +36 14 053 338 FAX: +36 14 059 134

**INDIA****System Controls Technology Solutions Pvt.Ltd.**

No: 119, 3rd Main, East of NGEF Layout, Kasturi Nagar, Bangalore - 560043, India.

TEL: +91 80 40820400,144,405,406 FAX: +91 80 40820426

**INDIA****Flexible Automation System PVT. LTD**

#412, Prestige Centre Point Cunningham Road, Bangalore -560 052, India

TEL: +91 80 2228 2427 FAX: +91 80 2225 7108

**INDIA****Strategi Automation Solutions Pvt. Ltd.**

Plot No.25/B, Doddanakundi Iddl Estate, Off Whitefield Road Behind Graphite India, Bangalore-560048, India

TEL: +91 80 32489798 FAX: +91 80 41163047

**INDIA****Arrow Electronics India Pvt. Ltd.**

Fortune Summit, Ward No.174, 6th Sector, HSR Layout, Roopena Agrahara, Bangalore - 560 068, India

TEL: +91 80 41353800 FAX: +91 80 41127784

**INDIA****Global Technocrats Inc.**

302, Gupta Tower II, G-33, Vikas Puri, New Delhi-110018, India

TEL: +91 12 42386745 FAX: +91 11 28542884

**INDONESIA****PT. DIFA DAYA SELARAS**

Jln. Palmerah Utara II No.5 Jakarta 11480, Indonesia

TEL: +62 21 536 64151 FAX: +62 21 536 52576

**INDONESIA****PT. Kumpel Durat**

Talavera Office Park 28th Floor Jl.Letjend TB.Simatupang Kav.22-26 Jakarta Selatan 12430, Indonesia

TEL: +62 217599 9876 FAX: +62 217599 9888

**INDONESIA****PT. Prasindo Agung Mandiri**

Jl. Alfalah No.18C, Ciilitan Besar Raya-Jakarta 13650, Indonesia

TEL: +62 8088 8802 TEL: +62 8088 8802

**ISRAEL****CONLOG Ltd**

Intergreen Building, POB 3265, 17 Hamefalsim Street., 49130 Petah Tikva, Israel

TEL: +972 3 9269595 FAX: +972 3 9233367

**ISRAEL****ELECTRONDART**

9 Ben Zion Gellis Street, 4927909 Petah Tikva, Israel

TEL: +972 39314447 FAX: +972 39302867

**ISRAEL****RADION ENGINEERING COMPANY LTD.**

11, Haslvim Street, P.O.B 7111 Petah Tikva, 49250, Israel

TEL: +972 3 9226688 FAX: +972 3 9226655

**ITALY****R.T.A. s.r.l.**

Via Enrico Mattei fraz. Divisa 27020 Marcignago (PV) Italy

TEL: +39 0382 929 855 FAX: +39 0382 929 150

**KOREA****HY TECH CO., LTD. (former HAN YANG CORP.)**

#1110 Renaissance Tower, 14, Mallijae-ro, Mapo-gu, Seoul, Korea

TEL: +82 2 713 4343 FAX: +82 2 713 4332

**KOREA****SAMHWA YANGHENG CO., LTD.**

63 Mapo-daero, Mapo-gu, Seoul, Korea

TEL: +82 2 716 4763 FAX: +82 2 718 1873

**KOREA****TPC Mechatronics Corp**

353, Gajung-ro, Seo-ku, Incheon, Korea

TEL: +82 32 580 0008 FAX: +82 32 578 0786

**KOREA****TELCOM INTERNATIONAL INC.**

3F, Telcom B/D, 76, Seocho-daero, Seocho-gu, Seoul, Korea

TEL: +82 2 3472 9449 FAX: +82 2 3471 9449

**KOREA****INTERDEVICE Co., Ltd.**

Rm.801, Ace Gwangmyeong Tower, 108, Haan-ro, Gwangmyeong-si, Gyeonggi-do, Korea

TEL: +82 2 897 7781 FAX: +82 2 6280 1117

**LITHUANIA****INOBTAL UAB**

H. Manto 84-310, 92294 Klaipeda, Lithuania

TEL: +370 6122 2499

MALAYSIA**Flexible Automation System Sdn Bhd (Kuala Lumpur)**

60, Jalan USJ10/1B, 47620 UEP Subang Jaya, Selangor, Malaysia

TEL: +60 03 5633 1280 FAX: +60 03 5633 6613

**MALAYSIA****GExcel TechnologiesSdn Bhd.**

No. 55, Jalan TPP 1/1, Taman Industri Puchong, 47100 Puchong, Selangor Darul Ehsan, Malaysia

TEL: +603 8062 3666 FAX: +60 03 8060 8519

**MALAYSIA****QuadRep Malaysia Sdn Bhd**

70-3B, Block F, Jalan PJJ 1/3B, SunwayMas Commercial Centre, 47301, Petaling Jaya, Selangor, Malaysia

TEL: +603 7880 9509 FAX: +603 7880 0509

**MEXICO****Arrow Electronics, Inc.**

Francisco Pimentel #98 Col. San Rafael Deleg. Cuauhtémoc C.P. 06470, México, D.F.

TEL: +52 55 5141 1680 FAX: +52 55 5703 1772

**MEXICO****Marsh Electronics, Inc.**

TEL: +1 800 236 8327 FAX: +1 414 771 2847

**MEXICO****Mouser Electronics, Inc.**

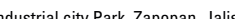
Av. Moctezuma #3515 Local 5-C Col. Ciudad del Sol, Zapopan, Jalisco, CP 45050, Mexico

TEL: +52 33 3612 7301 FAX: +52 33 3612 7356

**MEXICO****Newark Electronics Corporation**

Av. Aviacion No. 5051 Nave 18, Parque Industrial city Park, Zapopan, Jalisco, CP 45019, Mexico

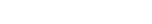
TEL: +1 800 463 9275 FAX: +1 800 800 9275

**MEXICO****PUI (Projections Unlimited, Inc.)**

TEL: +1 800 551 4405 FAX: +1 949 789 0626

**MEXICO****Sager Electronics, Inc.**

TEL: +1 800 724 3780 FAX: +1 972 312 1823

**MEXICO****Tonar Industries**

TEL: +1 800 568 6627 FAX: +1 973 586 2075

**MEXICO****Carlberg and Associates**

501 S. Rockford Drive Tempe, AZ 85281, U.S.A.

TEL: +1 480 377 0760 FAX: +1 480 377 0767

**MEXICO****Fastech México SA de CV**

Av. Jose Ma. Vigil 2986, Col. Providencia, Guadalajara, Jalisco, CP 44630, Mexico

TEL: +52 33 36 41 50 51/52

MEXICO**Westrep**

400 N Tustin Avenue Suite #130 Santa Ana, CA 92705, U.S.A.

TEL: +1 714 527 2822 FAX: +1 714 527 3868

**MOROCCO****MEST**

6 rue de Provins, 20310 Casablanca, Morocco

TEL: +212 22 30 28 24 FAX: +212 22 30 14 90

**POLAND****SEMICON Sp. Z o.o.**


Ul. Zwolenska 43/43A, 04-761 Varszawa, Poland

TEL: +48 22 615 73 71 FAX: +48 22 615 64 31





POLAND**TEKNOSYSTEM SP. Z O.O.**



UL. Malowiejska 25, 04-962 Warszawa, Poland

TEL: +48 22 590 60 30 **PORTUGAL****PROSISTAV**




Zona Industrial da Mota, RUA 7 Lte 6 A, Gafanha da Encarnacao, 3830-527 Ilhavo, Portugal

TEL: +351 234 397 210 FAX: +351 234 397 219  **RUSSIA****WEXON OOO**



192236, St. Petersburg Sofiyskaya ul., 14 Russia

TEL: +7 812 3266503 FAX: +7 812 3266504  **SINGAPORE****NEMATRON CONTROL SYSTEM (ASIA) PTE LTD**



209 Henderson Road #01-06 Henderson Ind. Park Singapore 159551

TEL: +65 6278 3289 FAX: +65 6278 8372   **SINGAPORE****QuadRep Marketing (S) Pte Ltd.**



53 Ubi Avenue 1, #03-30 Paya Ubi Industrial Park, Singapore 408934

TEL: +65 6346 1933 FAX: +65 6346 1911  **SPAIN****DIODE Espana S.A.**



C/Salvatierra, 3 28034 Madrid, Spain

TEL: +34 456 8100 FAX: +34 358 06 07  **SPAIN****RTA IBERICA**


Callegeneralitat 22, 1º 3º, 8850 Gava (Barcelona), Spain

TEL: +34 936 388 805 FAX: +34 936 334 595  **SWEDEN****OEM Electronics**


PO BOX 102, 573 29 Tranas, Sweden

TEL: +46 75 242 45 00 FAX: +46 75 242 45 09  **SWEDEN****OEM Motor AB**


PO BOX 1011, 573 28 Tranas, Sweden

TEL: +46 75 242 41 00 FAX: +46 76 242 41 19 **SWITZERLAND****Telemeter Electronic GmbH**




Kirchstrasse 28 CH-8574 Lengwil-Oberhofen/TG, Switzerland

TEL: +41 71 699 20 20 FAX: +41 71 699 20 24 **SWITZERLAND****PowerParts AG**




Schareggstrasse 1, Postfach 108, CH-5506, Mägenwil, Switzerland

TEL: +41 62 896 7080 FAX: +41 62 896 7088  **TAIWAN****YUNG HO CO., LTD.**




5th Floor, 36. Kuan Chien Road, Taipei, Taiwan, R.O.C.

TEL: +886 2 2311 6561 FAX: +886 2 2311 6469   **TAIWAN****QuadRep Electronics [T] Ltd.**



17F, No.79, Hsin Tai Wu Road, Sec.1, Hsi-Chih, New Taipei City, Taiwan, R.O.C.

TEL: +886 2 2698 9933 FAX: +886 2 2698 9911   **TAIWAN****SUNHOLY TRADING CO., LTD.**




3F, No.78, Sec 2, Chang An E. Road, Taipei, 104, Taiwan, R.O.C.

TEL: +886 2 2516 6060 FAX: +886 2 2508 0323   **THAILAND****T. N. INCORPORATED LTD.**




Rajanakarn Bldg., 183 South Sathorn Rd., Yannawa, Sathorn, Bangkok 10120, Thailand

TEL: +66 2 676 5959 FAX: +66 2 676 5968  **THAILAND****ID MART CO.,LTD**




168/57 Nakniwas Road, Khwaeng Ladprao, Khet Ladprao Bangkok 10230, Thailand

TEL: +66 2 530 0777 FAX: +66 2 530 6777   **THAILAND****PMC TECHNOLOGY CO., LTD.**


10 Ruamchitt Road, Thanonnakornchaisri, Dusit, Bangkok 10300, Thailand

TEL: +66 2 667 4501 FAX: +66 2 667 4506   **THAILAND****Flexible Automation System Co.,Ltd**



1509 Soi Ladprao 94 (Srivara Town in Town) Wangthonglang, Bangkok 10310, Thailand

TEL: +66 2 530 7900 7 FAX: +66 2 530 7908 9   **THE NETHERLANDS****M.C. TECHNOLOGY**



Buys Ballotstraat 31, IND. Area Zandhorst II, 1704 SK Heerhugowaard, the Netherlands

TEL: +31 (0)72 5717821 FAX: +31 (0)72 5718461 **THE NETHERLANDS****TOP-ELECTRONICS BV**


Postbus 439, 2920 AK Krimpen aan den IJssel, the Netherlands

TEL: +31 180 580 492  **TURKEY****NETA NAKIS VE MAKINA SANAYI TICARET**


Velibaba Mahallesi, Balpetegi Sokak NO :5 , Pendik, 34896 Istanbul, Turkey

TEL: +90 216 339 39 44 FAX: +90 216 325 52 79  **TURKEY****LINTEK MAKINA ELEKTRONIK TEKNOLOJILERI**



1348 SOK. N°3/3F Teknik Malzeme, Is Merkezi, Yenisehir, 35110 Izmir, Turkey

TEL: +90 232 457 294 FAX: +90 232 457 295 **TURKEY****ROBOSAN OTOMAYSON SAN.TIC.LTD**


Uzuncayir Cad. NO:31, Kadikoy IS Merkezi C1 Block D:12, Hasanpasa, 34722 Kadikoy, Istanbul, Turkey

TEL: +90 216 340 39 70 FAX: +90 216 340 39 64 **UNITED KINGDOM****EAO LTD.**


Albert Drive, Burgess Hill, West Sussex RH15 9TN, U.K.

TEL: +44 01444 23 6000 FAX: +44 01444 23 6641  **UNITED KINGDOM****ERIKS**

Crakley Way Paertree Industrial Park Dudley, West Midlands DY2 0UW, U.K.


TEL: +44 138 424 61 00 FAX: +44 138 424 62 46 **UNITED KINGDOM****INTELLIGENT AUTOMATION SYSTEMS Ltd**

16 Wood Stock Avenue, UB12QN Southall, Middlesex, U.K.

TEL: +44 7525 844 989 **USA****Arrow Electronics, Inc.**


9201 E Dry Creek Road, Centennial, CO 80112

Please see other locations at;


http://www.arrow.com/office_locations/nac_office_locations.htmlTEL: +1 800 777 2776 **USA****Marsh Electronics, Inc.**

1563 South 101st Street, Milwaukee, WI 53214, U.S.A.




Please see other locations at;

<http://www.marshelectronics.com/contact/branches.htm>TEL: +1 800 236 8327 FAX: +1 414 771 2847 **USA****Mouser Electronics, Inc.**

1000 North Main Street Mansfield, TX 76063, U.S.A.


TEL: +1 800 346 6873 FAX: +1 817 804 3899 **USA****Newark Electronics Corporation**

300 S. Riverside Plaza, Suite 2200, Chicago, IL 60606, U.S.A.

TEL: +1 800 463 9275 FAX: +1 888 551 4801   **USA****PUI (Projections Unlimited, Inc.)**



15311 Barranca Parkway, Irvine, CA 92618, U.S.A.

Please see other locations at;

<http://www.gopui.com/locations.htm>TEL: +1 800 551 4405 FAX: +1 949 789 0626 **USA****Sager Electronics, Inc.**


19 Leona Drive, Middleborough, MA 02346, U.S.A.

Please see other locations at;


<http://www.sager.com/about-us/locations/>TEL: +1 800 724 3780 FAX: +1 508 947 0869  **USA****Tonar Industries**

419 Franklin Avenue, Rockaway, NJ 07866, U.S.A.


Please see other locations at;

<http://www.tonar.com/contact>TEL: +1 800 568 6627 FAX: +1 973 586 2075 **USA****AID Electronics, Inc.**


2418 Marsh Lane, Suite 102, Carrollton, TX 75006, U.S.A.

TEL: +1 800 669 4761 FAX: +1 972 478 8707 **USA****Carlberg and Associates**


501 S. Rockford Drive Tempe, AZ 85281, U.S.A.

TEL: +1 480 377 0760 FAX: +1 480 377 0767 **USA****Centech, Inc.**


4025 NE Lakewood Way, Suite 290, Lee's Summit, MO 64064-1703, U.S.A.

TEL: +1 816 795 9019 FAX: +1 816 795 0070 **USA****Eastern Tech Corporation**


10195 Maxine Street, Ellicott City, MD 21042, U.S.A.

TEL: +1 410 715 2100 FAX: +1 410 715 2102 **USA****Epic Technical Sales, Inc.**


9400 SW Beaverton-Hillsdale Hwy, Suite 140, Beaverton OR 97005, U.S.A.

TEL: +1 503 292 7922 FAX: +1 503 292 7903 **USA****ExisQCI, Inc.**

1570 The Alameda Suite #150, San Jose, CA 95126, U.S.A.


TEL: +1 408 944 4600 FAX: +1 408 321 3200 **USA****Jappe Company**

29 Northgate Rd., Ipswich, MA 01938, U.S.A.


TEL: +1 781 245 9359 

USA**Marathon Technical Associates**


1115 Edgewater Drive, Orlando, FL 32804, U.S.A.

TEL: +1 954 648 2844 **USA****Northport Engineering, Inc.**


1355 Mendota Heights Road, Suite 130, Mendota Heights, MN 55120, U.S.A.

TEL: +1 651 457 8000 FAX: +1 651 457 5603 **USA****Pinnacle Marketing, Inc.**


2805 Spring Forest Road, Suite 101, Raleigh, NC 27616-1900, U.S.A.

TEL: +1 888 764 7640 FAX: +1 888 764 7641 **USA****Straube Associates**


7970 South Sheridan Blvd. Ste. C, Westminster, CO 80003, U.S.A.

TEL: +1 303 426 0890 FAX: +1 303 426 0896 **USA****Synergy Sales INC**


Allaire Airport, Rte 34, P.O. Box 2521, Farmingdale, NJ 07727-2521, U.S.A.

TEL: +1 908 489 7764 FAX: +1 609 716 0932 **USA****Tech-Tron Sales, Inc**


1305 Remington Road, Suite K, Schaumburg, IL 60173, U.S.A.

TEL: +1 847 843 7530 FAX: +1 847 843 0339 **USA****T Technical Sales**

108 Saint Patrick Drive, Rochester, NY 14623, U.S.A.


TEL: +1 585 334 3378 **USA****Westrep**

400 N Tustin Avenue Suite #130 Santa Ana, CA 92705, U.S.A.


TEL: +1 714 527 2822 FAX: +1 714 527 3868 **USA****SHEPHERD CONTROLS & ASS., INC.**

203 S. Jupiter Road, Suite A Allen, TX 75002, U.S.A.

Please see other locations at;


<http://www.shepherdcontrols.com/>TEL: +1 972 727 7300 FAX: +1 972 727 7363 **USA****KIM CONTROLS, INC.**

10045 Davenport St. Minneapolis, MN 55449, U.S.A.

TEL: +1 763 780 2991 FAX: +1 763 780 9449 **USA****IOWA FLUID POWER**


1610 Blairs Ferry Road NE, Cedar Rapids, IA 52402, U.S.A.

Please see other locations at;


<http://www.iowafluid.com/>TEL: +1 800 333 7004 FAX: +1 319 395 7027 **USA****AUTOMATION PROCESS & CONTROLS (IL)**

6323 North Avondale Suite 246, Chicago, IL 60631, U.S.A.


Please see other locations at;

<http://www.apc-inc.com/>TEL: +1 773 763 8090 FAX: +1 773 467 0152 **USA****MARSHALL WOLF AUTOMATION**


923 South Main Street, Algonquin, IL 60102, U.S.A.

TEL: +1 800 325 9653 FAX: +1 847 658 0960 **USA****ENGINEERING ADVANTAGE INC.**


S84 W 19234 Enterprise Drive, Muskego, WI 53150, U.S.A.

TEL: +1 262 971 1717 FAX: +1 262 971 1710 **USA****IN-POSITION TECHNOLOGIES**


7403 W. Boston Street Chandler, AZ 85226, U.S.A.

TEL: +1 480 893 8086 FAX: +1 877 478 3242 **USA****TECHREP COMPONENTS, INC.**


25332 Narbonne Avenue, #160 Lomita, CA 90717, U.S.A.

TEL: +1 310 539 9070 FAX: +1 310 539 0439 **USA****Bay Advanced Technologies, LLC**


1715 East Newport Circle Santa Ana, CA 92705, U.S.A.

TEL: +1 657 622 2060 FAX: +1 657 622 2070 **USA****Provoast Automation**

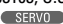
1171 N. Red Gum Street Anaheim, CA 92806, U.S.A.

TEL: +1 714 996 9417 FAX: +1 714 996 9418 **USA****Bay Advanced Technologies, LLC**


8100 Central Avenue Newark, CA 94560-3449, U.S.A.

TEL: +1 510 857 0900 FAX: +1 510 857 1400 **USA****EASTERN INDUSTRIAL AUTOMATION**


7096 South Willow Street Manchester, NH 03103, U.S.A.

TEL: +1 603 645 6885 FAX: +1 603 668 1451 **USA****INDUSTRIAL AUTOMATION & MOTION INC.**


4530 William Penn Highway #395 Murrysville, PA 15668, U.S.A.

TEL: +1 412 965 9956 FAX: +1 412 245 1509 **USA****NORTHEAST MOTION, INC.**


20 Thurber Blvd. Unit #C Smithfield, RI 02917, U.S.A.

TEL: +1 401 231 4441 FAX: +1 401 231 6785 **USA****TRILINE AUTOMATION CORP.**


250 Summit Point Drive Henrietta, NY 14467, U.S.A.

TEL: +1 585 321 9620 FAX: +1 585 321 9628 **USA****CPU AUTOMATION**


164 Westford Road, Unit 3 Tyngsboro, MA 01879, U.S.A.

TEL: +1 978 226 1633 FAX: +1 978 226 1634 **USA****SADDLE BROOK CONTROLS**


PO BOX 881 280 N Midland Avenue Saddle Brook, NJ 07663, U.S.A.

TEL: +1 201 794 9588 **USA****DELTA SIGMA AUTOMATION**


2125 Barrett Park Dr. Suite 110 Kennesaw, GA 30144, U.S.A.

TEL: +1 770 975 3992 FAX: +1 770 874 0087 **USA****LIVINGSTON AND HAVEN**


11616 Wilmar Blvd. Charlotte, NC 28241, U.S.A.

TEL: +1 704 504 8301 FAX: +1 704 504 2529 **USA****CAROLINA MOTION CONTROLS, INC.**


1200 Woodruff Road, Suite H27 Greenville, SC 29607, U.S.A.

TEL: +1 864 458 9988 FAX: +1 864 288 2190 **USA****ADVANCED MACHINE AUTOMATION**


1024 11TH Court West Birmingham, AL 35204, U.S.A.

TEL: +1 205 581 1234 FAX: +1 205 581 1222 **USA****ADAMS AIR & HYDRAULICS**


7204 EAST Adamo Drive Tampa, FL 33619, U.S.A.

TEL: +1 813 626 4128 FAX: +1 813 626 7808 **USA****INT'L POWER ASSOCIATION**


7940 Silverton Avenue, #105 San Diego, CA 92126, U.S.A.

TEL: +1 858 271 5996 **USA****GJ Associates, Inc.**

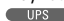
11 Shepherd Hill Road Bedford, NH 03110, U.S.A.

TEL: +1 603 644 3677 FAX: +1 978 461 0155 **USA****Baldwin technologies**




4801 Telsa Dr., Suite G Bowie, MD 20715, U.S.A.

TEL: +1 301 860 1930 FAX: +1 301 860 1937 **USA****Power Support Engineering, Inc.**



18932 Adams Country Way Lutz, FL 33559, U.S.A.

TEL: +1 813 909 1199 **VIETNAM****QuadRep**




No.88/4, Street No.18, Hiep Binh Chanh Ward, Thu Duc District, HCM City, S.R. Vietnam

TEL: +84 8 3726 2981 FAX: +84 8 3726 2985   **VIETNAM****ARKTAKE VIET NAM JOINT STOCK COMPANY**



132 Yong Street, Phuong Liet Sub-dist, Thanh Xuan District, Hanoi, Vietnam

TEL: +84 4 3767 9428 FAX: +84 4 3767 9450  **VIETNAM****DPCVietNam TRADING & SERVICE CO., LTD**

27 Block B, Truong Son Street, Ward 15, District 10, HCMC, Vietnam

TEL: +84 8 3977 1926 FAX: +84 8 3977 1935   **VIETNAM****NHON CORPORATION**

40, 11 Street, Him Lam Residential Area, Binh Hung, Binh Chanh, Hcmc, Vitenam

TEL: +84 8 5431 9266 FAX: +84 8 5431 9269  



■Eco Products

SANYO DENKI's ECO PRODUCTS are designed with the concept of lessening impact on the environment in the process from product development to waste. The product units and packaging materials are designed for reduced environmental impact. We have established our own assessment criteria on the environmental impacts applicable to all processes, ranging from design to manufacture. Those products that satisfy the criteria are accredited as ECO PRODUCTS.

<http://www.sanyodenki.com>

SANYO DENKI CO., LTD.

3-33-1 Minami-Otsuka, Toshima-ku, Tokyo 170-8451, Japan

TEL: +81 3 5927 1020

SANYO DENKI EUROPE SA.

P.A. Paris Nord II, 48 Allée des Erables-VILLEPINTE, BP.57286, F-95958 ROISSY CDG Cedex, France

TEL: +33 1 48 63 26 61

SANYO DENKI AMERICA, INC.

468 Amapola Avenue Torrance, CA 90501, U.S.A.

TEL: +1 310 783 5400

SANYO DENKI SHANGHAI CO., LTD.

Room 2106-2110, Bldg A, Far East International Plaza, No.319, Xianxia Road, Shanghai, 200051, China

TEL: +86 21 6235 1107

Beijing Branch

Room1222, Tower B, Beijing COFCO Plaza, No.8 Jianguomennei Dajie, Dong Cheng District, Beijing 100005 China

TEL: +86 10 6522 2160

SANYO DENKI (H.K.) CO., LIMITED

Room 2305, 23/F, South Tower, Concordia Plaza, 1 Science Museum Road, TST East, Kowloon, Hong Kong

TEL: +852 2312 6250

Tianjin Representative Office

Room AB 16th Floor TEDA Building, No. 256 Jie Fang Nan Road, Hexi District, Tianjin 300042 China

TEL: +86 22 2320 1186

Chengdu Representative Office

Room2105B, Block A, Times Plaza, 2 Zongfu Road, Jinjiang District, Chengdu, 610016 China

TEL: +86 28 8661 6901

SANYO DENKI TAIWAN CO., LTD.

N-711, 7F, Chia Hsin 2nd Bldg., No.96, Sec.2, Zhongshan N. Rd., Taipei 10449, Taiwan (R.O.C.)

TEL: +886 2 2511 3938

SANYO DENKI SINGAPORE PTE. LTD.

988 Toa Payoh North, #04-05/06/07/08, Singapore 319002

TEL: +65 6223 1071

Indonesia Representative Office

Summitmas II 4th Floor, Jl. Jend. Sudirman Kav.61-62, Jakarta 12190, Indonesia

TEL: + 62 21 252 3202

SANYO DENKI GERMANY GmbH

Frankfurter Strasse 80-82, 65760 Eschborn, Germany

TEL: +49 6196 76113 0

SANYO DENKI KOREA CO., LTD.

9F, Sunhwa B/D 89, Seosomun-ro, Jung-gu, seoul, 04516, Korea

TEL: +82 2 773 5623

Busan Branch

8F, CJ Korea Express Bldg., 119, Daegyo-ro, Jung-gu, Busan, 48943, Korea

TEL: +82 51 796 5151

SANYO DENKI (Shenzhen) CO., LTD.

2F 02-11, Shenzhen International Chamber of Commerce Tower, No.168 Fuhua 3 Road, Futian District, Shenzhen, 518048 China

TEL: +86 755 3337 3868

SANYO DENKI (THAILAND) CO., LTD.

388 Exchange Tower, 25th Floor, Unit 2501-1, Sukhumvit Road, Klongtoey, Klongtoey, Bangkok 10110 Thailand

TEL: +66 2261 8670

SANYO DENKI INDIA PRIVATE LIMITED

#14 (Old No.6/3), Avenue Road, Nungambakkam, Chennai - 600034, Tamil Nadu, India

TEL: +91 44 420 384 72