

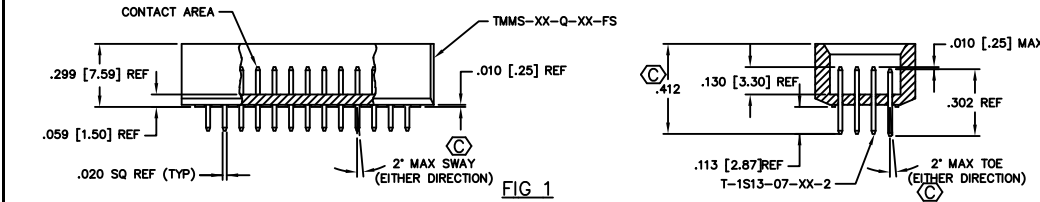
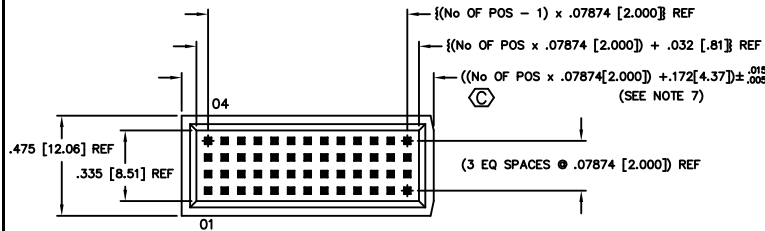
REVISIONS H

DO NOT SCALE FROM THIS PRINT

UNLESS OTHERWISE NOTED TOLERANCES ARE:
 DIMENSIONS ARE IN INCHES
 ONE PLACE DECIMALS ±.1 THREE PLACE DECIMALS ± .005 ANGLES ± 5°
 TWO PLACE DECIMALS ±.01 FOUR PLACE DECIMALS ± .002

TITLE:
 2mm QUAD ROW
 FULL SHROUD
 TERMINAL ASM

DWG NO:
 TMMS-1XX-XX-XX-Q-XX-FS
 SHEET 1 OF 2



TMMS-1XX-XX-XX-Q-XX-FS

- No. of POSITIONS _____
 -05 THRU -50
 LEAD STYLE _____
 -01: .130 [3.30] POST
 PLATING _____
 -G: 10μ" GOLD IN CONTACT AREA, 10μ" GOLD ON TAIL
 -S: 30μ" SELECTIVE GOLD IN CONTACT AREA, MATTE TIN ON TAIL
 -L: 10μ" SELECTIVE GOLD IN CONTACT AREA, MATTE TIN ON TAIL
 -F: 3μ" SELECTIVE GOLD IN CONTACT AREA, MATTE TIN ON TAIL
 -FM: 3μ" SELECTIVE GOLD IN CONTACT AREA, MATTE TIN ON TAIL
 -LM: 10μ" SELECTIVE GOLD IN CONTACT AREA, MATTE TIN ON TAIL
 -SM: 30μ" SELECTIVE GOLD IN CONTACT AREA, MATTE TIN ON TAIL

- OPTIONS _____
 -FS: FULL SHROUD (USE TMMS-XX-Q-XX-FS)
 OPTION _____
 -RA: RIGHT ANGLE (SEE FIG 2) (LEAVE BLANK FOR THRU HOLE VERSION)
 * -BL: MOLDED BOARD LOCKS (AVAILABLE WITH -RA ONLY) [USE TMMS-XX-Q-XX-BL-FS] (SEE FIG 3, SHT 2)
 * -A: MOLDED ALIGNMENT PIN (AVAILABLE WITH -RA ONLY) [USE TMMS-XX-Q-XX-A-FS] (SEE FIG.4, SHT 2)
 ROW SPECIFICATION _____
 -Q: QUAD ROW (SEE FIG. 1) (USE TMMS-XX-Q-XX-FS)

- NOTES:
 1.) MAX. ALLOWABLE BOW: .005 IN/IN AFTER ASSEMBLY.
 2.) MAX. PIN ROTATION IN BODY: 2°
 3.) PUSHOUT FORCE SHALL BE 1 lb MIN.
 4.) ϕ REPRESENTS A CRITICAL DIMENSION.
 5.) ALL DIMENSIONS IN BRACKETS [] TO BE MILLIMETERS.
 6.) ALL DIMENSIONS TO BE SYMMETRICAL ABOUT C.L. WITHIN A VARIANCE OF .002 [.051] UNLESS OTHERWISE NOTED.
 7.) .010 [.25] MAX CUT FLASH (BRUSH CLEAN AS NECESSARY).

TERMINAL 1	TERMINAL 2	TERMINAL 3	TERMINAL 4
T-1S13-13-XX-2	T-1S13-14-XX-2	T-1S13-23-XX-2	T-1S13-24-XX-2

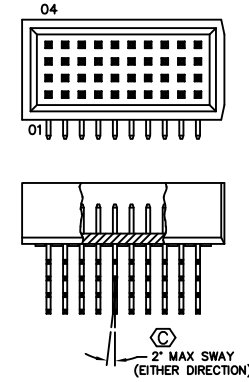
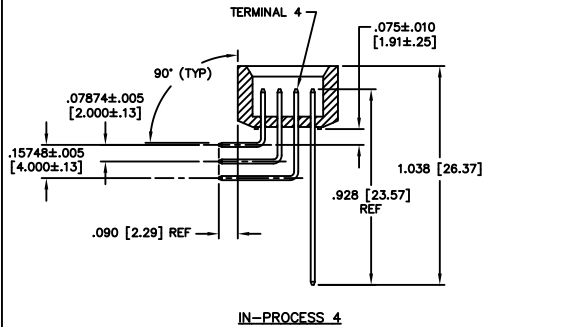
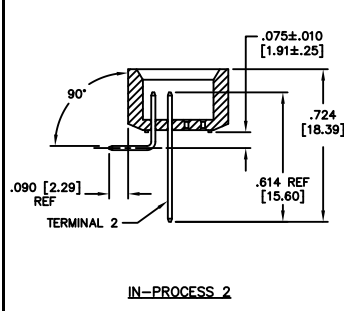
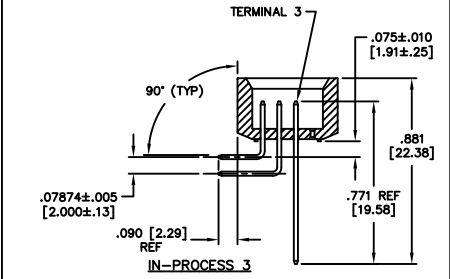
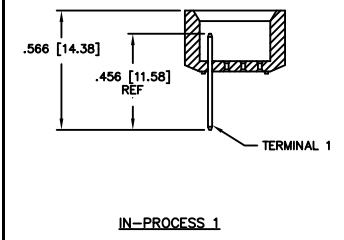
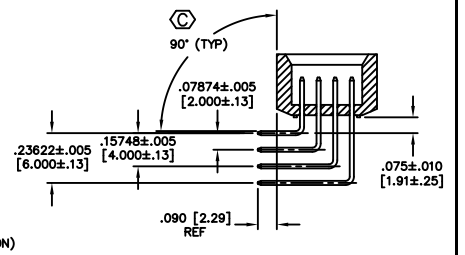


FIG 2
 -RA: RIGHT ANGLE OPTION (DIFFERENT AS SHOWN, OTHERWISE SAME AS FIG 1)



PROPRIETARY NOTE
 THIS DOCUMENT CONTAINS INFORMATION CONFIDENTIAL AND PROPRIETARY TO SAMTEC INC. AND SHALL NOT BE REPRODUCED OR TRANSMITTED TO OTHER DOCUMENTS OR DISCLOSED TO OTHERS OR USED FOR ANY PURPOSE OTHER THAN THAT FOR WHICH IT WAS OBTAINED WITHOUT THE EXPRESSED WRITTEN CONSENT OF SAMTEC INC.

MATERIAL:
 INSULATOR:
 LCP VECTRA E130, UL RATED 94V-0
 COLOR: BLACK
 TERMINAL:
 SPRING TEMPER PHOS BRONZE

samtec

520 PARK EAST BLVD. NEW ALBANY, INDIANA 47150
 PHONE (812) 944-6733 P.O. BOX 1147
 CODE 55322

MADE BY:
 CHAD F 12/17/2002

EXISPROD\ASSEMBLY\2MM
 TMSQAM1
 TMMS-1XX-XX-XX-Q-XX-FS
 SHEET 1 OF 2