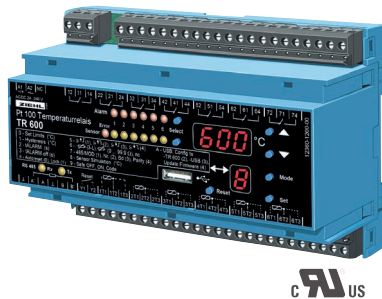


Pt100-Temperature-Relay Type TR600

Digital, 6 Sensors, 6 Limits, 2 analog outputs

TR600



Part number:
T224360 with analog output

Function

Temperature Relay for 6 Sensors Pt100

The Pt100-temperature relay TR600 monitors up to six sensors Pt100 (RTD) at the same time. Six switching points and six relays permit almost any combination of switching action. It also can select the highest temperature of groups of sensors. The temperatures of two sensors or groups of sensors can be issued to 2 analog

outputs i.e. for remote displays or further evaluation. Programming is very variable and simple.

Due to the fact that 6 type Pt100 sensors can be connected, the unit is especially suitable for temperature monitoring wherever up to 6 different measuring points must be monitored simultaneously:

- machines, bearings, plants
- motors and generators with simultaneous monitoring of bearings and coolant.
- transformers with additional monitoring of the core temperature also

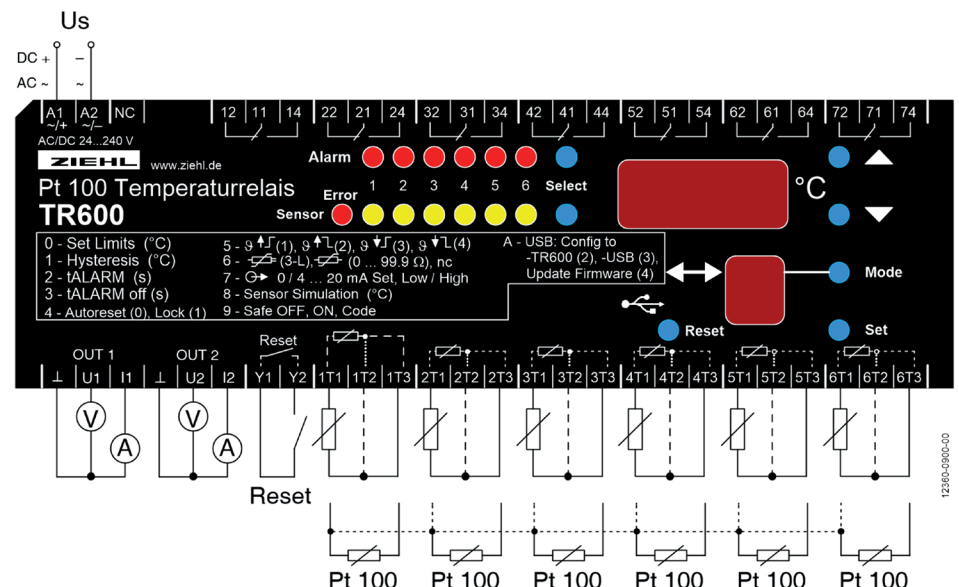
- measuring and monitoring range -199 ... +800 °C
- 6 sensor inputs with 2- or 3-wire connection
- 6 relay outputs K1 to K6 with change-over contacts
- switching points for single sensor or group of 2, 3 or 6 sensors
- sensor error relay K7 monitors sensor break or sensor short circuit as well as an interruption of the power-supply.
- 2 analog outputs, 0/4...20 mA and 0/2...10 V, with individual scaling.
- universal power supply in 2 ranges AC/DC 24 - 240 V
- USB-Stick-Terminal for up- and download of sets of parameters and for firmware-updates

Displays

- built-in 3 digit temperature display and 1 digit program-mode display
- LED Alarm showing state of the alarm relays
- LED Sensor Error blinking at sensor short circuit or sensor interruption.
- Stored Values of MIN- and MAX- temperature can be displayed
- „Sensor select“ showing temperatures of the different sensors
- „Alarm select“ showing switching points .

Programmable for each relay extra:

- hysteresis
- electronic reclosing lock or autoreset
- switch-on delay and switch-off delay
- MIN or MAX- function of relay
- relay releases or picks up when exceeding the setpoint



Technical Data TR600

Rated supply voltage U_s	tolerance DC-supply	AC/DC 24 – 240 V
	tolerance AC-supply	DC 20,4...297 V AC 20...264 V
Relay outputs	power consumption	< 4 W, < 13 VA
	frequency	0 / 50 / 60 Hz
Relay outputs	switching voltage	7 change-over contacts (co) max. AC 415 V
	switching current	max. 5 A
	switching power	max. 1250 VA (ohmic load) max. 120 W at DC 30 V
	Nominal operational current I_e	
AC 15	$I_e = 3 \text{ A}$ $U_e = 250 \text{ V}$	
DC 13	$I_e = 2 \text{ A}$ $U_e = 24 \text{ V}$ $I_e = 0,1 \text{ A}$ $U_e = 250 \text{ V}$	
Testing conditions	recommended fuse NO	4 A time-lag or miniature circuit-breaker MCB B4
	recommended fuse NC	3.15 A time-lag
	expected life mechanical	3×10^7 operations
	expected life electrical	1×10^5 operations with AC 250 V / 5 A, $\cos \varphi = 1$
Testing conditions	ambient temperature range	EN 60 010-1 - 20 ... + 65 °C
	galvanic separation	Us-Relay, Sensors, USB, Analog output Reset input -> DC 3820 V Relay - Sensors, USB, Analog output Reset input -> DC 3820 V
	No galvanic separation	Sensors, USB, Analog output, Reset input
Sensor connection	measuring accuracy	6 x Pt 100 acc. to EN 60751 / IEC 60751, 2- / 3-wire $\pm 0,5 \%$ of value ± 1 Digit
	sensor current	$\leq 0,7 \text{ mA}$
	measuring delay time t_M	<1,5 s
Temperature alarm	switch points	-199 ... +800 °C
	hysteresis	1 ... 99 K
	delay time tALARM	0,1 ... 99,9 s
	delay time tALARM off	0 ... 999 s
Analog output OUT 1/2	voltage outputs	DC 0/2 V – 10 V , max. DC 10 mA
	current outputs	DC 0/4 mA – 20 mA
	output resistance current	max. 500 Ω
	no-load voltage	max. DC 16 V
	accuracy	1% of span ± 1 K
Housing	design	V8
	dimensions (h x w x d)	90 x 140 x 58 [mm]
	line connection solid wire	1 x 1,5 mm ² (1,0 mm ² with end sleeves for strands)
	protection housing / terminals	IP 30 / IP 20
	attachment	on 35 mm DIN rail according to EN 60715 or M4 screw
	weight	app. 360 g