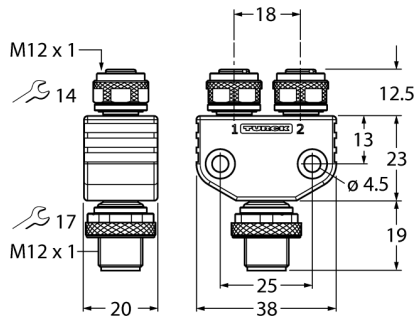
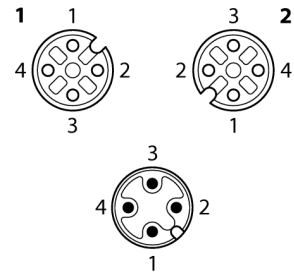


2-port Junction Systems
Y-Splitter without Cable, Male M12 x 1 - 2 x Female M12 x 1
VB2-FSM4.4-2FKM4

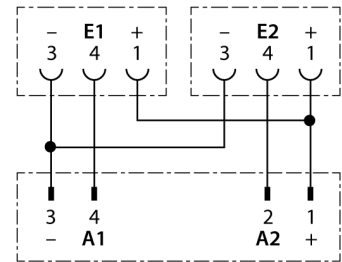


- Male M12, 4-pin
- Female M12, 3-pin
- RoHS conform
- Protection class IP67

Pin Assignment



Circuit Diagram




Type designation	VB2-FSM4.4-2FKM4
Ident no.	6930560
Splitter	Male Connector, 2 x Female Connector, M12x1 4/3
Number of pins	4/3
Contacts	Brass, CuZn, Gold-plated
Contact carriers	Plastic, TPU, Black
Connector body	Plastic, TPU, Black
Coupling nut/screw	Brass, CuZn, Nickel-plated
Seal	Plastic, FKM/FPM
Protection class	IP67, A + B side screwed together
Mechanical lifespan	> 100 Mating cycles
Pollution degree	3/2
Tightening torque	0.8 ... 1 Nm (observe max. torque of mating connector!)
Electrical properties at +20 °C	
Current	4 A
Rated voltage	250 V
Forward resistance	≤ 5 mΩ
Insulation resistance	≥ 10 ⁹ Ω
Ambient temperature	
In motion	-30...+90°C

2-port Junction Systems
Y-Splitter without Cable, Male M12 x 1 - 2 x Female M12 x 1
VB2-FSM4.4-2FKM4

TURCK

Industrial
Automation

Accessories

Type code	Ident no.	Description	
WRENCH-FW/SIZE 17MM	6936175		
TORQUE-WRENCH-SET- AS	6936170	Torque wrench set; handles with adjustable torque 0.4-1.0 Nm, torque wrench for M8 (SW9), fork wrench for M12 (SW 14)	