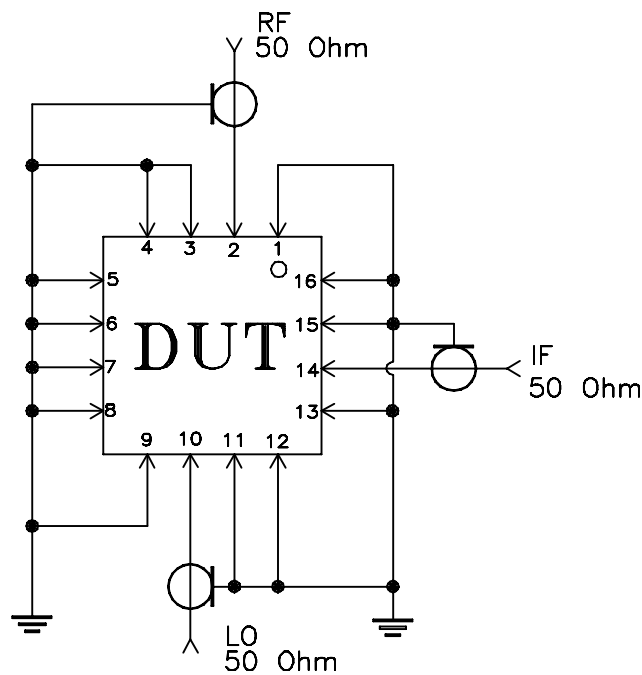
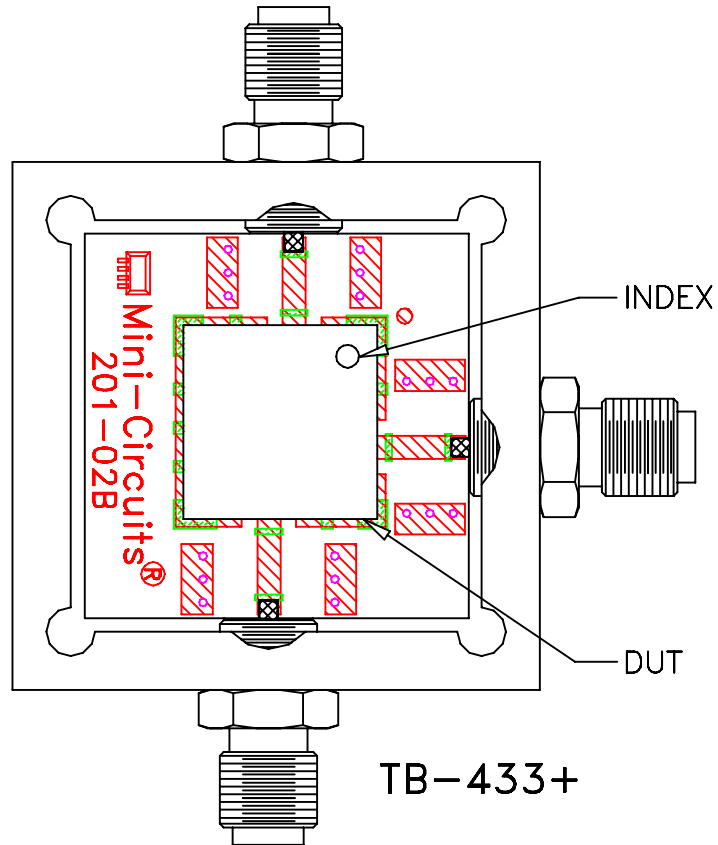



# Evaluation Board and Circuit



## Notes:

1. SMA Female connectors.
2. PCB Material: Rogers R04350 or equivalent,  
Dielectric Constant=3.5, Thickness=.028 inch.

## Schematic Diagram

 **Mini-Circuits®**