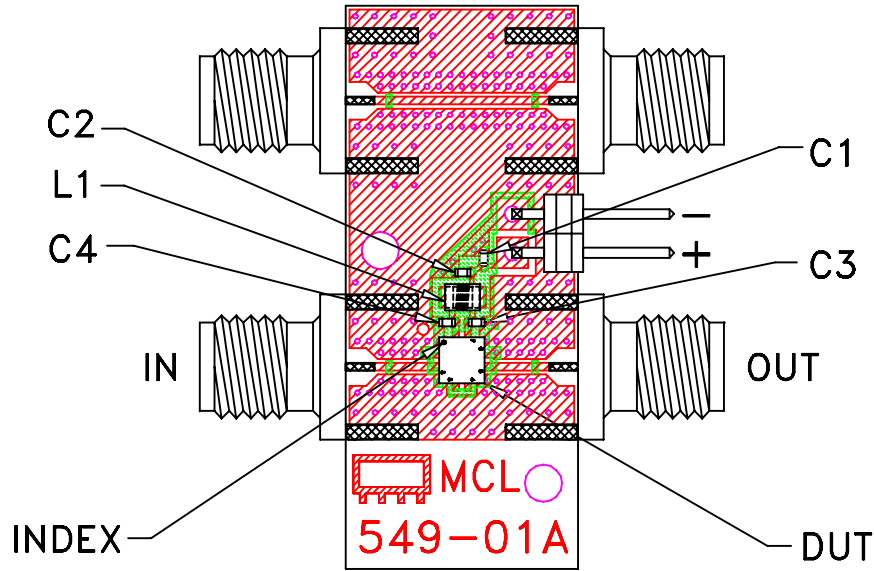
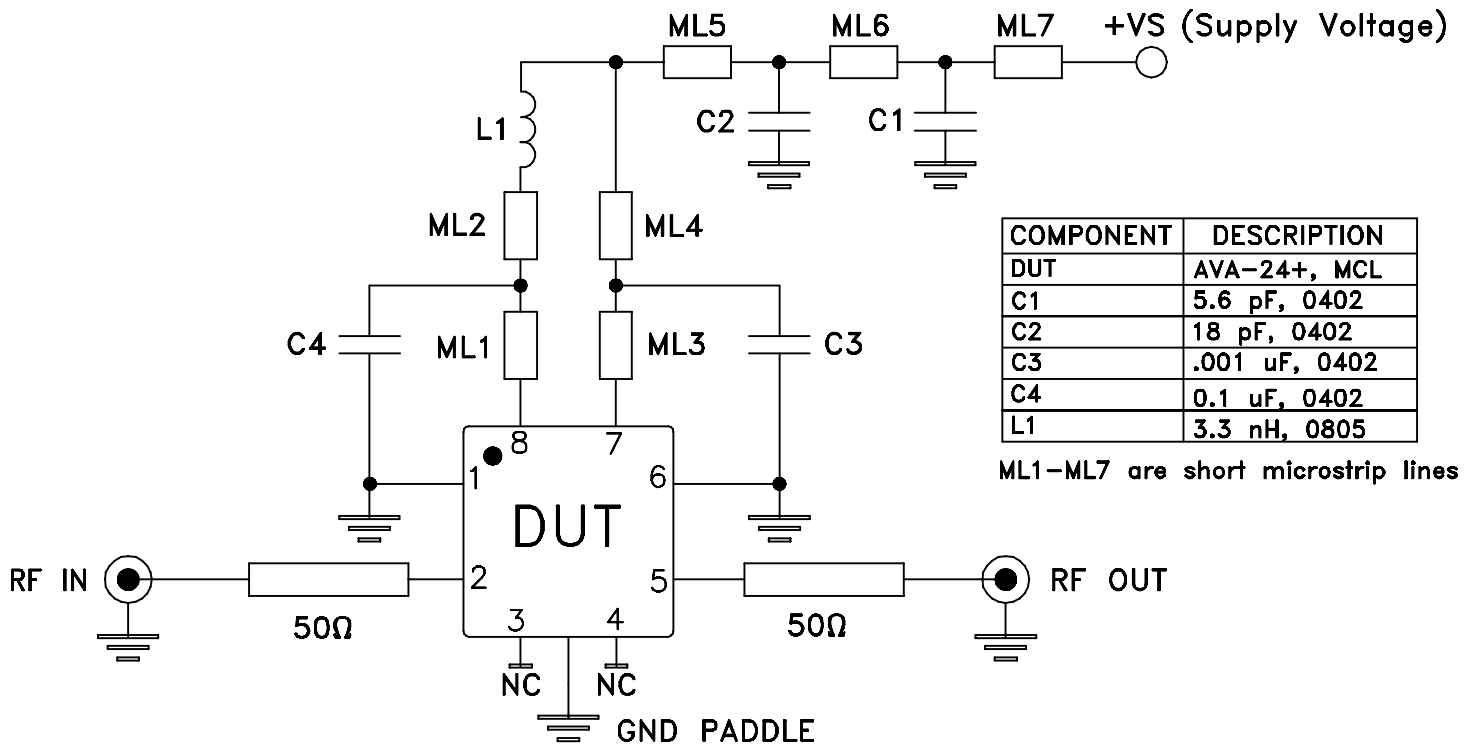


Evaluation Board and Circuit



TB-547-1+



Schematic Diagram

NOTES:

1. SMA Female connectors.
2. PCB material: Rogers R04350 or equivalent, dielectric constant=3.5, dielectric thickness=.010 inch.

Mini-Circuits®