

# MOBILITY WALLBOX HOME

FOR CHARGING ELECTRIC AND HYBRID CARS | ITEM NO.: 5555911000



**>>> THE WALLBOX FROM LAPP** enables you to easily charge your electric or hybrid car at any time at home, in the garage, in a car port, in an underground car park or in an outdoor parking area. The type 2 plug socket allows charging from the Wallbox at any time using a standard mode 3 charging cable.

## ADVANTAGES AT A GLANCE

- Fast and easy installation
- Attractive and simple design
- Robust construction
- For all standard vehicle types and classes
- Ready to use at any time with standard mode 3 charging cable
- The charging process with the Wallbox runs automatically and is ended as soon as the battery is fully charged.

## DIMENSIONS AND WEIGHTS

Width	351 mm
Height	486 mm
Depth	109 mm
Weight	8,960 g

## ASSEMBLY

Mounting	Wall mounted
Items supplied	Mounting pins, Fastening screws

## FUNCTIONS

Integrated on/off switch	Yes
DC leakage current detection	Yes, 6 mA
AC leakage current detection	No
Contactors adhesion detection	Yes
Shutdown in case of fault	Yes
Fault shutdown method	All pole
Status display	Yes

## HOUSING

Usage height	≤ 2000 m
Housing base material	Glass fibre reinforced polycarbonate
Colour	Black

## SYSTEM REQUIREMENTS

Charging power	11 kW
Charging voltage	230 V/400 V
Charging current	16 A
Connection system	Plug socket type 2
Phases	3
Vehicle communication type	Control Pilot (CP), Proximity Pilot/Plug Present (PP)
Charging mode	3
Protection rating	IP54
Protection class	I
Overvoltage category	III
Degree of contamination	3

## CONNECTION DATA (INPUT)

Connection type	Screw clamp connection
Max. cable cross-section	6 mm <sup>2</sup>
Rated input voltage	400 V
Rated input current	16 A

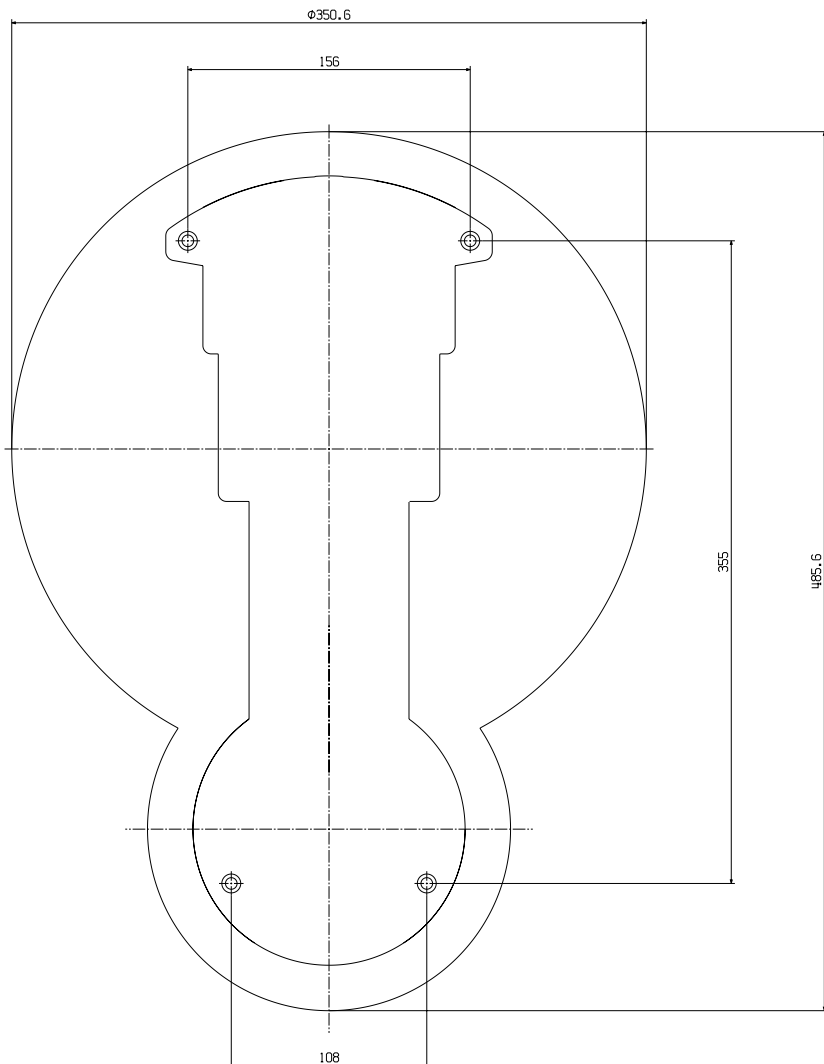
## MATERIAL DATA

Max. operating temperature	50 °C
Min.. operating temperature	-25 °C
Max. storage temperature	70 °C
Min.. storage temperature	-40 °C
Max. relative humidity for storage	95 %

# DATA SHEET

## MOBILITY WALLBOX HOME

ITEM NO.: 5555911000 | DRILLING TEMPLATE



**Lapp Mobility GmbH**  
Stuttgart Headquarters  
Oskar-Lapp-Str. 2 · D-70565 Stuttgart  
Phone: +49 711 7838 - 04  
Fax: +49 711 7838 - 3520  
[www.lappmobility.com](http://www.lappmobility.com)