

COILS FOR M&M INTERNATIONAL SOLENOID VALVES

Coils manufactured by M&M International are designed for continuous duty in conformity to the EN60730 safety standards. They are encapsulated in a self-extinguishing synthetic material and offer high mechanical protection and excellent thermal dissipation. They are fully interchangeable on all M&M International solenoid valves, thereby reducing warehouse inventories.

TECHNICAL DATA

Series **2000**: connection to DIN 46244

Electrical connection: fast on connection 6.3x0.8

Series **7000**: connection to DIN EN 175301-803 form A (ex DIN 43650-A)

Protection class: IP 65 (CEI EN60529) - NEMA 4 (UL 50) with connector and gasket

Insulation class (compliant with EN60730): "F" and "H"

Operation: continuous

Voltage tolerance:	AC	DC
	+10% ÷ -15%	+10% ÷ -5%

Coil power:	AC	DC
SERIES 2000	10VA (holding) 16VA (inrush)	7W

SERIES 7000	18VA (holding) 36VA (inrush)	14W
--------------------	---------------------------------	-----

OPTIONS

Class "H" insulation coils series 2000/7000: e.g. coil 7251

UL Approved coils series 2000/7000: e.g. coil 240R

Coil series 8000 available on request

Impregnated coils for use in damp/humid environments are available on request: e.g. coil B400 for series 2000 and D700 for series 7000. Must be used with connector and gasket (see page 45 for more information)

NOTES

Custom voltages and low power consumption available: please contact M&M Sales Department

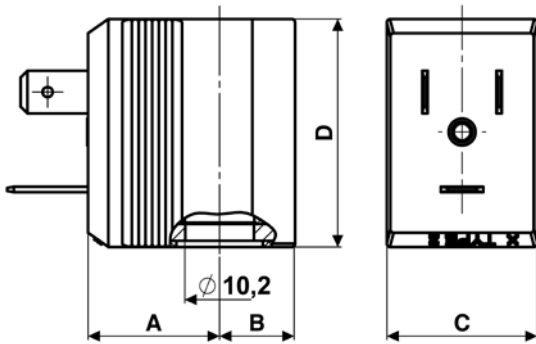
SERIES: 2000 - 7000



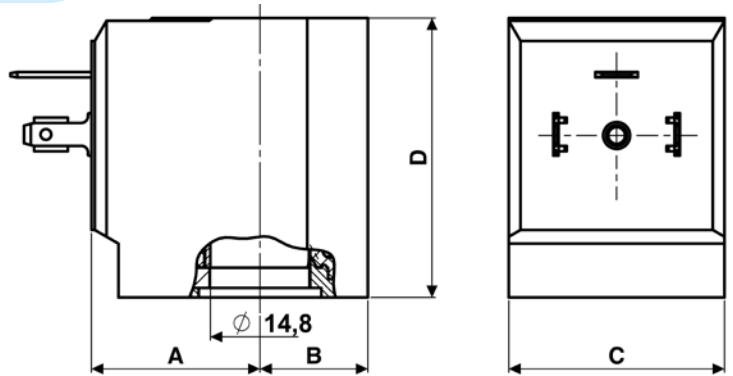
SELECTION TABLE

CODE	voltage	power		class	ambient temp.		media temp.		ED
		holding	inrush		min	max	min	max	
2150	12V DC	7W	-	"F" 155°C	-10°C	+50°C	-10°C	+130°C	100%
2250	24V DC								
2350	48V DC								
2100	12V 50/60Hz	10VA	16VA						
2200	24V 50/60Hz								
2300	48V 50/60Hz								
2400	110V 50Hz - 120V 60Hz								
2600	200V 50Hz - 220V 60Hz								
2700	230V 50Hz - 240V 60Hz								
7150	12V DC	14W	-						
7250	24V DC								
7350	48V DC								
7100	12V 50/60Hz	18VA	36VA						
7200	24V 50/60Hz								
7300	48V 50/60Hz								
7400	110V 50Hz - 120V 60Hz								
7600	200V 50Hz - 220V 60Hz								
7700	230V 50Hz - 240V 60Hz								

COILS - DIMENSIONS & WEIGHTS



Coil series 2000



Coil series 7000

DIMENSIONS & WEIGHTS

Series	A	B	C	D	weight
[code]	[mm]	[mm]	[mm]	[mm]	[kg]
2000	19.5	11.2	22.3	33.7	0.060
7000	25	16	32	41.4	0.146

DIN CONNECTORS FOR SOLENOID VALVES

Coil connectors provide the safest flexible system for connecting M&M International solenoid valves and give a protection class of IP65. They are designed and made of synthetic material offering a high level of electrical insulation. Compliance with UL 1977 and VDE Regulations.

TECHNICAL DATA

Rated voltage (Max.):	250V AC / 300V DC
Nominal current:	10 A (Rated) / 16A (Max.)
Wire cross-section:	1.5 mm ² (Max.)
Cable entry:	PG9 (6 - 8 mm)
Protection class:	IP 65 (only with gasket)
Insulation class:	group C - VDE 0110
Housing colour:	black

OPTIONS

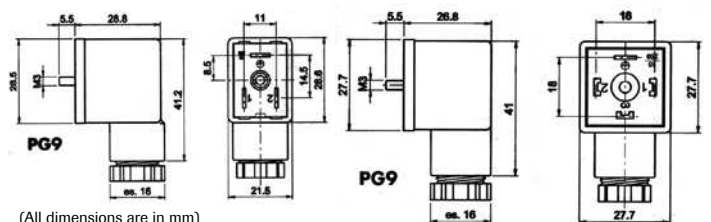
- Connectors with protection circuits
- Connectors with LED
- Connectors with flying leads

NOTES

Connectors are supplied with thermoplastic rubber bordered gasket, fixing screw and preinstalled position with ground H 12 (the connector can be spinned when connected)

Other versions available upon request and depending on quantity: please contact M&M Sales Department.

SERIES: 600 001 00- / 600 011 00-



(All dimensions are in mm)

For coil series 2000, connector code 600 001 00-, weight: 0.019 Kg

For coil series 7000, connector code 600 011 00-, weight: 0.020 Kg