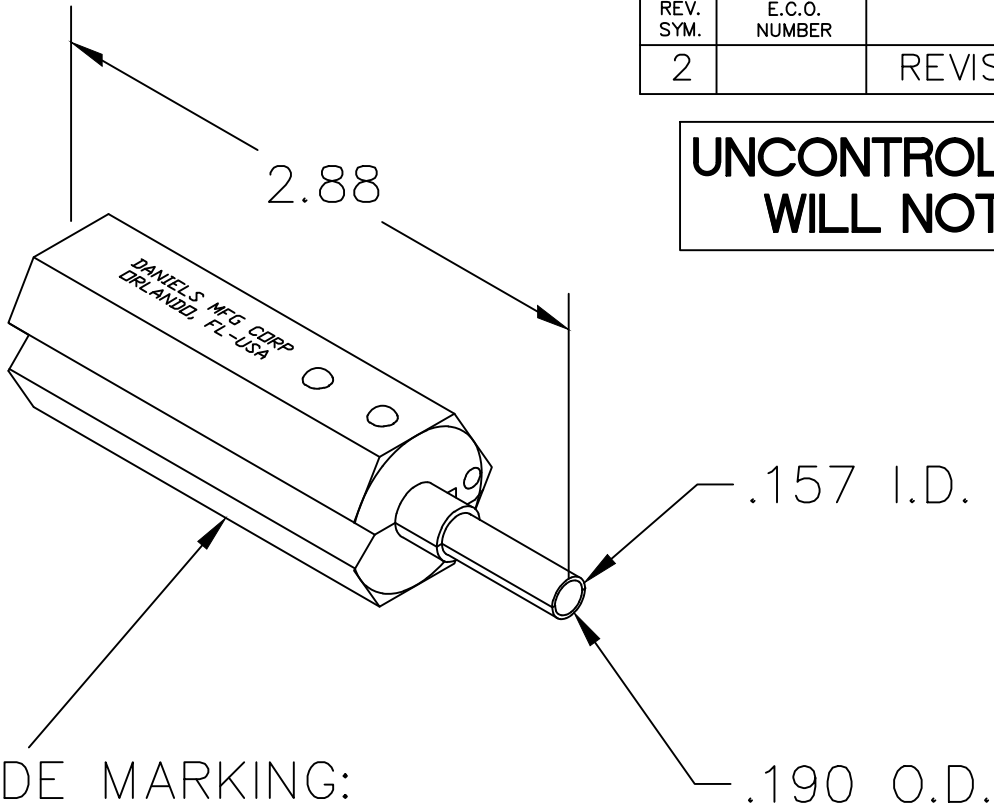


REVISIONS				
REV. SYM.	E.C.O. NUMBER	DESCRIPTION	BY DATE	APP'D DATE
2		REVISED MARKING	ENF 11/13/14	RRR 11/13/14

**UNCONTROLLED DOCUMENT
WILL NOT BE UPDATED**



BOTTOM SIDE MARKING:
DRK337 CAGE 11851

<p>RESTRICTED & CONFIDENTIAL</p> <p>CONFIDENTIAL PROPERTY OF DANIELS MANUFACTURING CORP. NOT TO BE DISCLOSED TO OTHERS, REPRODUCED OR USED FOR ANY OTHER PURPOSE, EXCEPT AS AUTHORIZED IN WRITING BY DANIELS MANUFACTURING. MUST BE RETURNED TO DANIELS MANUFACTURING CORP. ON COMPLETION OF ORDER OR OTHER PURPOSE FOR WHICH LENT.</p>	MATERIAL	ITEM	PART NO.	QTY.	DESCRIPTION/REMARKS				
	HEAT TREAT	DRN.	B. CAPERS	DATE	DANIELS MANUFACTURING CORP. ORLANDO, FLORIDA CAGE 11851				
		CHK'D.	DE	DATE					
	FINISH	APP'D.	DATE	TITLE REMOVAL TOOL ENVELOPE DRAWING WHERE USED:					
APP'D.		DATE							
<p>DO NOT SCALE DRAWING</p>	NOTE:		THIS DRAWING IS AN OUTLINE DRAWING OF THE RESPECTIVE DMC PART NUMBER INDICATED. ACTUAL DMC PART NUMBER IS DRAWING NUMBER WITHOUT THE "-ENV" SUFFIX.						
	SIZE	SCALE					CAD P/N	SHEET	OF
	A	NTS					DRK337-ENV	1	1
			POSTING	DWG. NO.		REV.			
				DRK337-ENV		2			