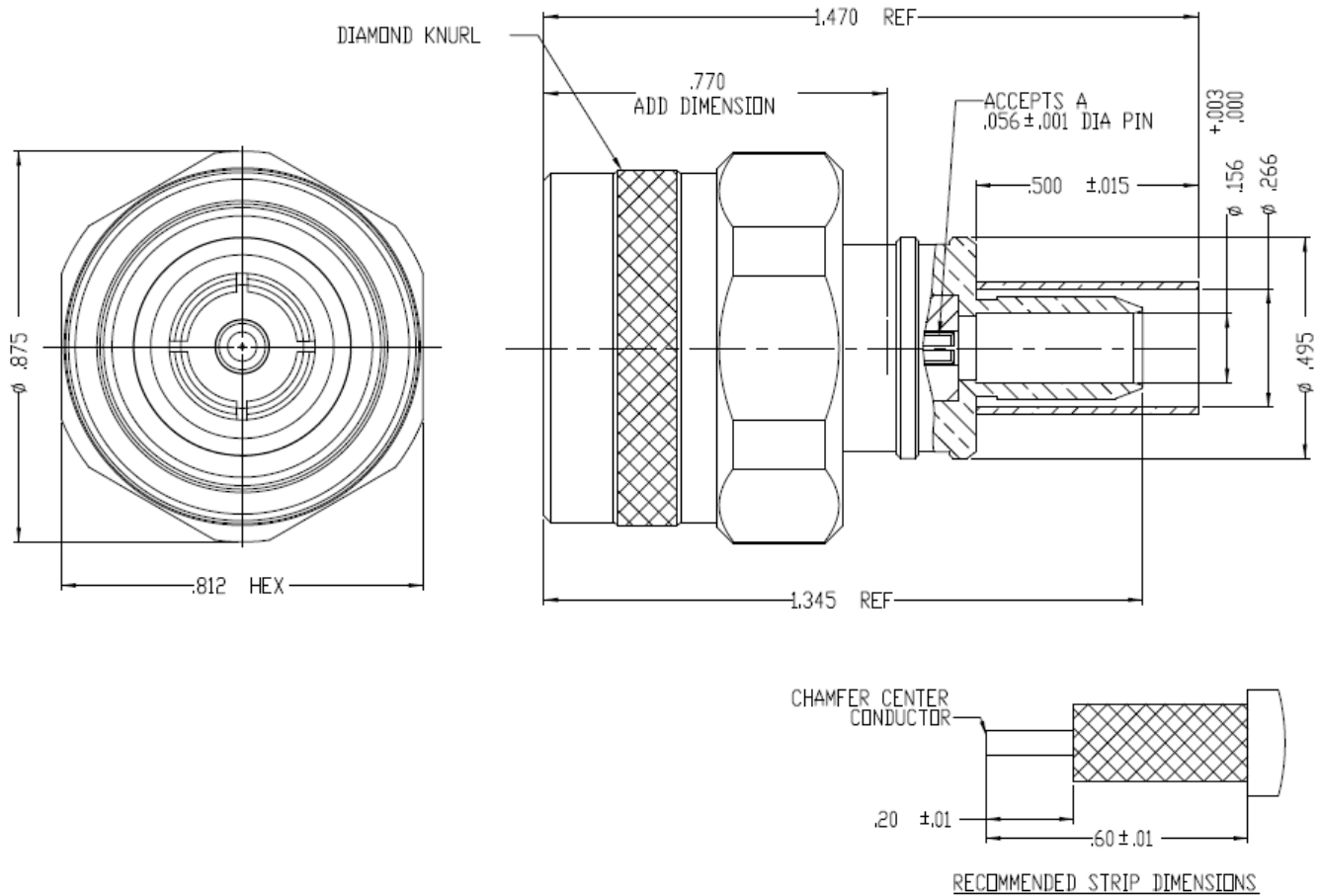


NOTICE OF PROPRIETARY RIGHTS THIS DOCUMENT CONTAINS CONFIDENTIAL TECHNICAL DATA, INCLUDING TRADE SECRETS, PROPRIETARY TO TIMES MICROWAVE SYSTEMS. DISCLOSURE OF THIS DATA IS EXPRESSLY CONDITIONED UPON YOUR ASSENT THAT ITS USE IS LIMITED TO USE WITHIN YOUR COMPANY ONLY. ANY OTHER USE IS STRICTLY PROHIBITED WITHOUT THE PRIOR WRITTEN CONSENT OF TIMES MICROWAVE SYSTEMS.

SYM	REVISION DESCRIPTION	DFTM	DATE	APPD	DATE
A	RELEASED FOR PRODUCTION	N. N. N	9/4/13	J. D. B.	9/10/13



NOTES:

- ASSEMBLED CONNECTOR INTERFACE IS DESIGNED IN ACCORDANCE WITH MIL-STD-348.
- MATERIAL:**
 - BODY, FINGERS, HEX NUT - BRASS PER ASTM B16, C36000 ALLOY, TEMPER H02
 - INSULATOR - TEFLON PER ASTM D1710, TYPE 1, GRADE 1, CLASS A
 - GASKET - SILICONE RUBBER PER A-A-59588, 50-75 DUROMETER
 - SHRINK SLEEVE - HEAT SHRINKABLE ATUM PER MIL-I-23053/4 (NOT SHOWN)
 - CRIMP SLEEVE - D.H.P. COPPER CDA, ALLOY #122, TEMPER HARD
 - CONTACT - BERYLLIUM COPPER PER ASTM B196, C17300 ALLOY, CONDITION HT
 - LOCKING RING - PHOSPHOR BRONZE PER ASTM B139, C54400 ALLOY, TEMPER HD
- FINISH:**
 - CONTACT - GOLD PLATE PER ASTM B488
 - LOCKING RING - NOT PLATED
 - CRIMP SLEEVE - SULFAMATE NICKEL PER MIL-P-27418
 - ALL OTHER METAL PARTS - ALBALDY PLATE PER DELTA SPEC. 111197

MATERIAL:	UNLESS OTHERWISE SPECIFIED ALL DIMENSIONS ARE IN INCHES MACHINED SURFACES FINISH 63 RMS MAX. REMOVE ALL BURRS .004 MAX. BREAK MACHINE CORNERS .005 MAX. FILLET R. TOLERANCES ON DECIMALS .XX \pm .01 .XXX \pm .005 ANGLES \pm 1° FRACTIONS \pm 1/64	DFTM. N. N. N	TIMES MICROWAVE SYSTEMS		
		DATE 9/4/13			
USED ON: -		CHKD. J. D. B.	EZ-240-NMH-X CONNECTOR ASSEMBLY NM for LMR-240		
		DATE 9/10/13			
SCALE: NONE	DWG. SIZE A	APPD. J. D. B.	SHEET 1 of 1	SD3190-2893	REV A
		DO NOT SCALE DRAWING			
	CODE IDENT 68999				