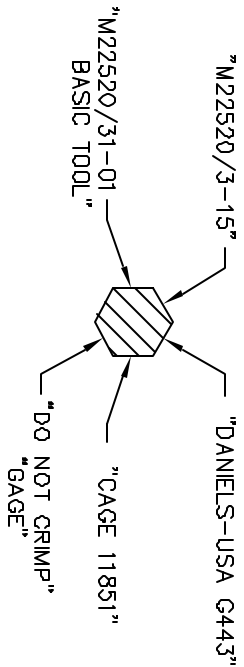
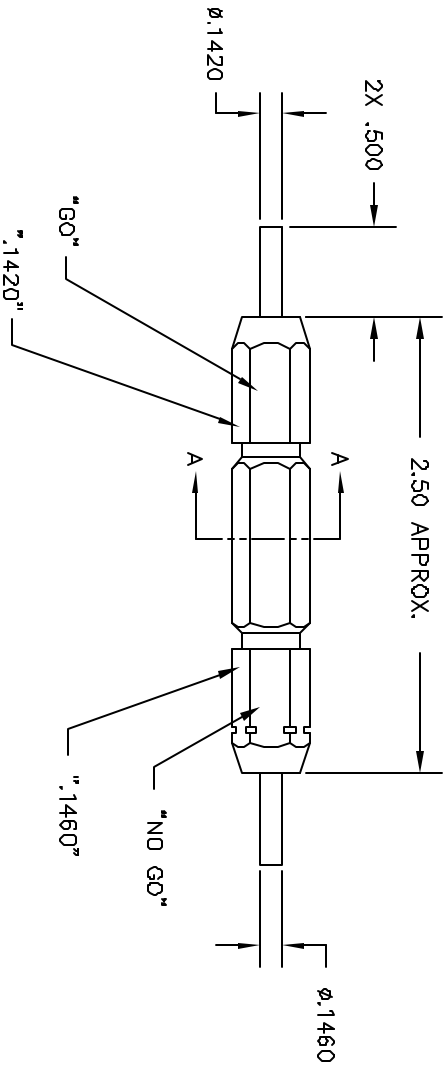


REVISIONS			
REV.	NO.	DESCRIPTION	DATE
1		ORIGINAL RELEASE	4/21/93



SECTION A-A



**UNCONTROLLED DOCUMENT  
WILL NOT BE UPDATED**

RESTRICTED & CONFIDENTIAL		MATERIAL		ITEM		PART NO.		QTY.		DESCRIPTION/REMARKS							
CONFIDENTIAL PROPERTY OF DANIELS MANUFACTURING CORP. NOT TO BE DISCLOSED TO OTHERS. REPRODUCED OR USED FOR ANY OTHER PURPOSE WITHOUT THE WRITTEN PERMISSION OF DANIELS MANUFACTURING CORP. ON COMPLETION OF ORDER OR OTHER PURPOSE FOR WHICH INTD.		HEAT TREAT		DRN	DVC	DATE	DATE	DATE	DATE	<b>Daniel's Manufacturing Corp.</b> DANIELS MANUFACTURING CORP. ORLANDO, FLORIDA CAGE 11851							
		FINISH		CHGR.	DE	DATE	DATE	DATE	DATE								
DO NOT SCALE DRAWING				APPL.						TITLE GO/NO-GO GAGE ENVELOPE DRAWING (M22520/3-15)	WHERE USED GND FAN G443-ENV	SIZE B	SCALE NTS	P/M G443-ENV	SHEET 1	OF 1	REV 1