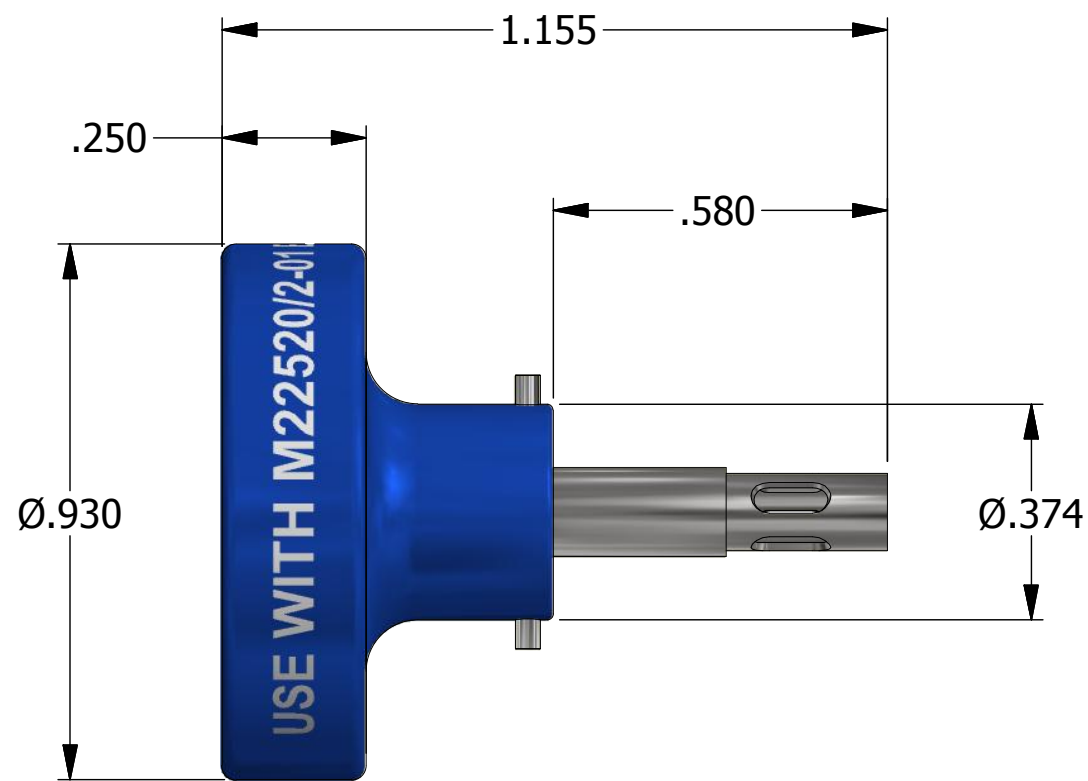
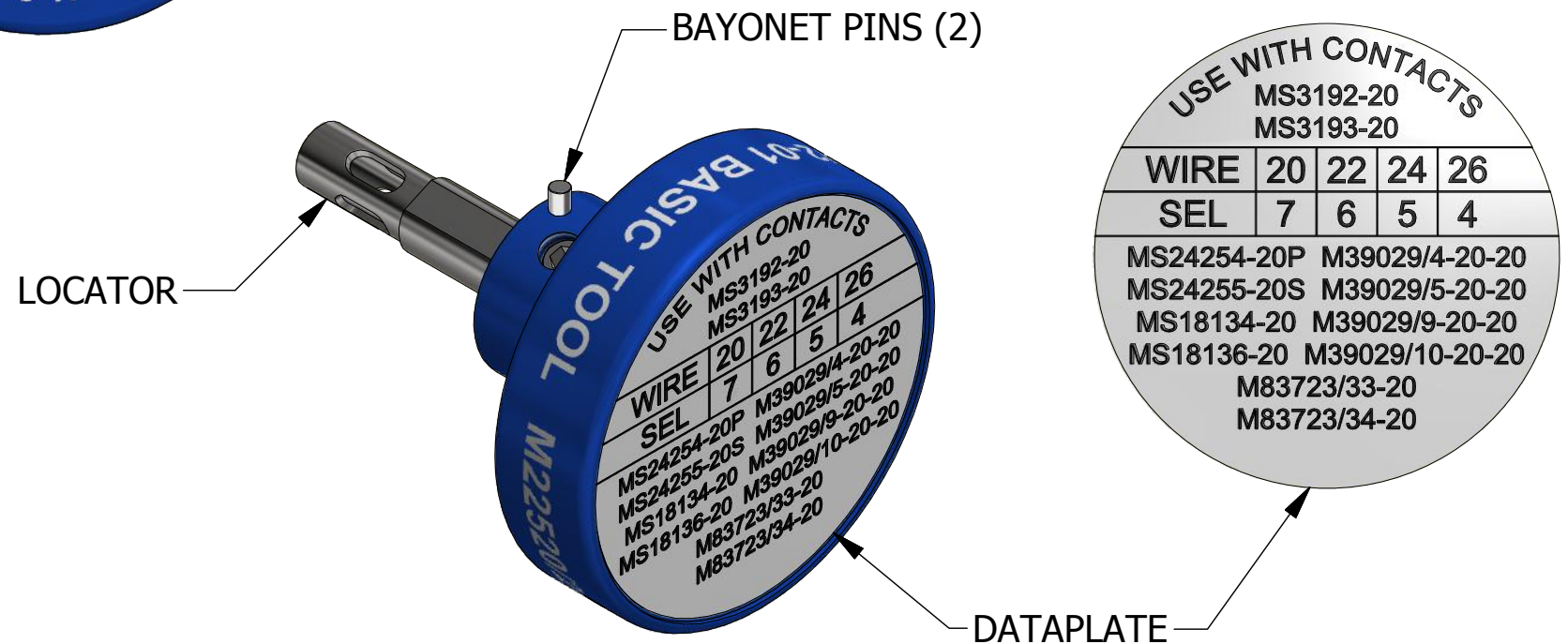



REVISIONS						
REV	ECO NO.	DESCRIPTION	BY	DATE	APP'D BY	DATE
2		REDRAWN	AAM	11/11/1999	RRR	11/11/1999
3	23573	UPDATED & REDRAWN	TonyD	4/7/2015		



**UNCONTROLLED DOCUMENT  
WILL NOT BE UPDATED**  
DIMENSIONS IN INCHES - UNLESS OTHERWISE SPECIFIED



LOCATOR	
HOLE DIMENSIONS	ADDITIONAL FEATURES
Ø.081 ▽THRU	└┘Ø.106 ▽.310

MATERIAL	ITEM	PART NO.	QTY.	DESCRIPTION / REMARKS																
N/A	DRN. DUNG CHK'D. DATE	DATE 1/27/1986		 <b>DANIELS MANUFACTURING CORP.</b> ORLANDO, FLORIDA CAGE 11851																
RESTRICTED & CONFIDENTIAL CONFIDENTIAL PROPERTY OF DANIELS MANUFACTURING CORP. NOT TO BE DISCLOSED TO OTHERS. REPRODUCTION OR USED FOR ANY OTHER PURPOSE EXCEPT AS AUTHORIZED IN WRITING BY DANIELS MANUFACTURING. MUST BE RETURNED TO DANIELS MANUFACTURING CORP. ON COMPLETION OF ORDER OR PURPOSES FOR WHICH LENT.	HEAT TREAT	N/A																		
CREATED FROM AN INVENTOR MODEL. CHANGES MUST BE REFLECTED IN THE 3D PART	FINISH	N/A		<b>NOTE:</b> THIS DRAWING IS AN OUTLINE DRAWING OF THE RESPECTIVE DMC PART NUMBER INDICATED. ACTUAL DMC PART NUMBER IS CAD PART NUMBER WITHOUT THE "-ENV" SUFFIX																
DO NOT SCALE DRAWING				<b>TITLE</b> <b>POSITIONER (M22520/2-02) ENVELOPE DRAWING</b> WHERE USED: AFM8																
				<table border="1"> <tr> <td>SIZE</td> <td>SCALE</td> <td>CAD P/N</td> <td>SHEET</td> </tr> <tr> <td>B</td> <td>3 : 1</td> <td>K1S-ENV</td> <td>1 OF 1</td> </tr> <tr> <td></td> <td></td> <td>DWG. NO.</td> <td>REV.</td> </tr> <tr> <td></td> <td></td> <td>K1S</td> <td>3</td> </tr> </table>	SIZE	SCALE	CAD P/N	SHEET	B	3 : 1	K1S-ENV	1 OF 1			DWG. NO.	REV.			K1S	3
SIZE	SCALE	CAD P/N	SHEET																	
B	3 : 1	K1S-ENV	1 OF 1																	
		DWG. NO.	REV.																	
		K1S	3																	