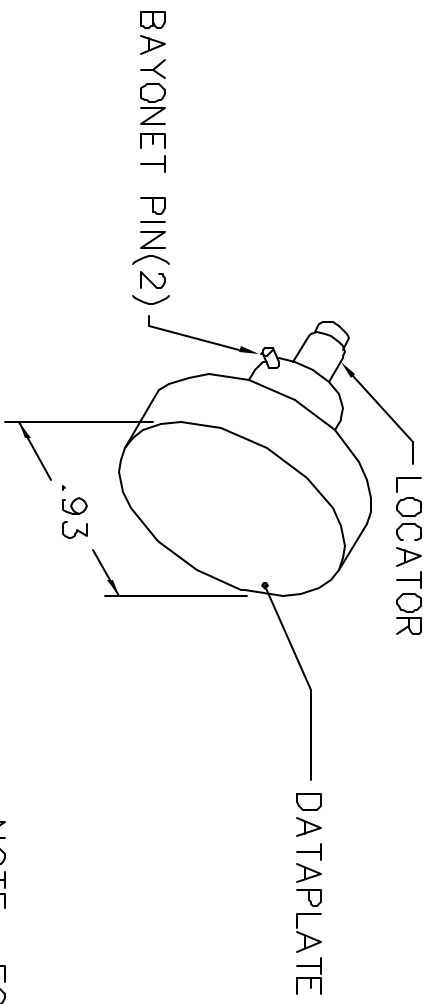
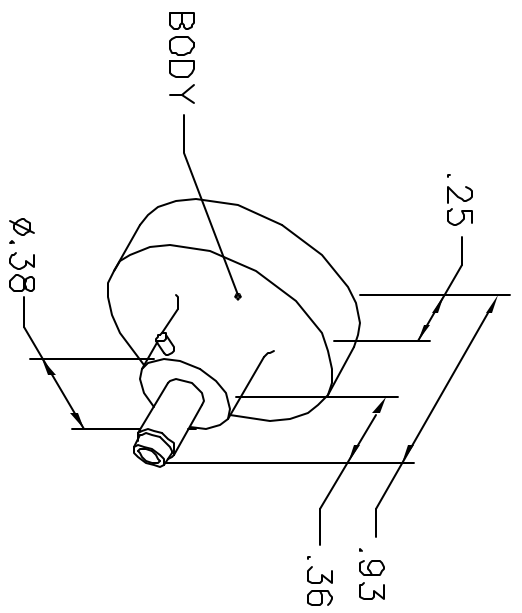


REVISIONS				
REV. SYM.	E.C.D. NUMBER	DESCRIPTION	BY DATE	APP'D DATE
1		ORIGINAL RELEASE	LLW 4/21/89	JS 4/89

**UNCONTROLLED DOCUMENT
WILL NOT BE UPDATED**



INNER P & S	
CABLE	SEL. NO.
RG179B/U, RG187A/U	3
RG180B/U, RG195A/U	3
RG161/U, RG174A/U	4
RG188A/U, RG316/U	4

M39029/27
M39029/28
M39029/75

NOTE: FOR USE WITH DANIELS CRIMP TOOLS
ACCOMMODATING "K" SERIES POSITIONERS

LOCATOR	ADDITIONAL FEATURES
HOLE DIMENSIONS	
∅.036	L ∅.054
∇.365	∇.040

RESTRICTED & CONFIDENTIAL

CONFIDENTIAL PROPERTY OF DANIELS MANUFACTURING CORP. NOT TO BE DISCLOSED TO OTHERS, REPRODUCED OR USED FOR ANY OTHER PURPOSE, EXCEPT AS AUTHORIZED IN WRITING BY DANIELS MANUFACTURING. MUST BE RETURNED TO DANIELS MANUFACTURING CORP. ON COMPLETION OF ORDER OR OTHER PURPOSE FOR WHICH LENT.

DO NOT SCALE DRAWING

DRN.	LLW	DATE
CHK'D. JS		4/21/89
APP'D. AAM		4/29/89

PMO DANIELS MANUFACTURING CORP.
ORLANDO, FLORIDA
CAGE 11851

TITLE: POSITIONER ENVELOPE DRAWING
(M22520/2-34)

WHERE USED: AFMB

SIZE	SCALE	CAD P/N	SHEET OF
A	NTS	K323-ENV	1 OF 1

POSTING: P/N K323-ENV REV. 1