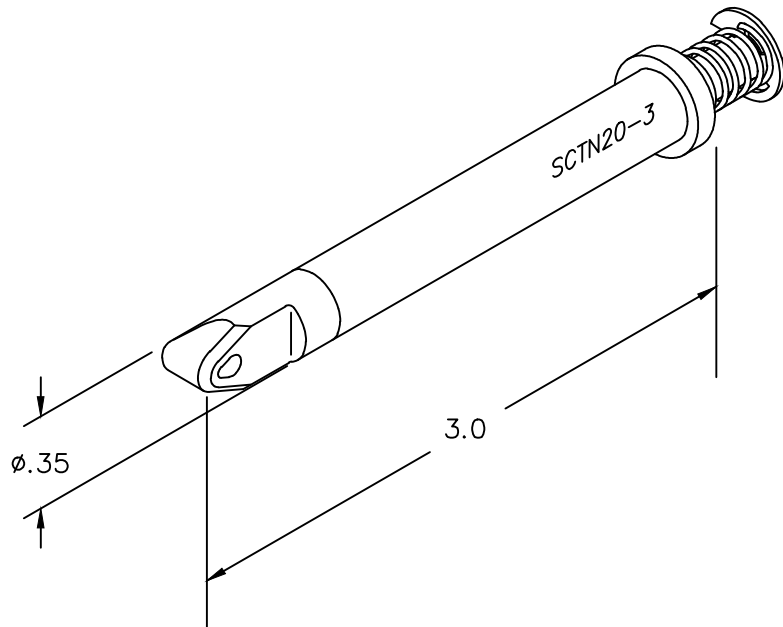
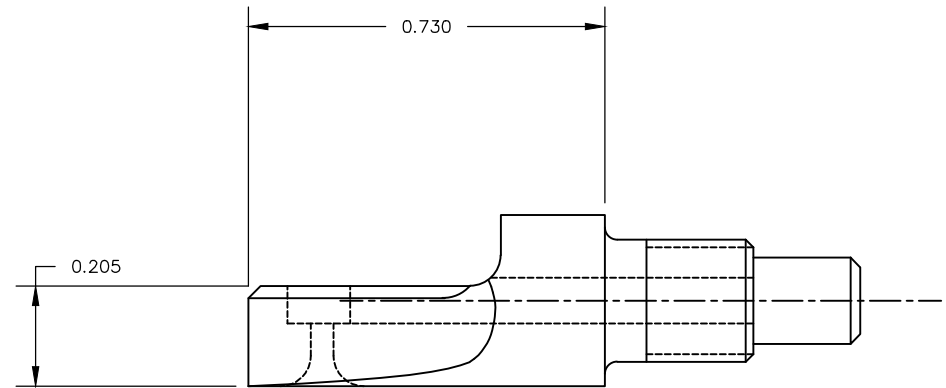
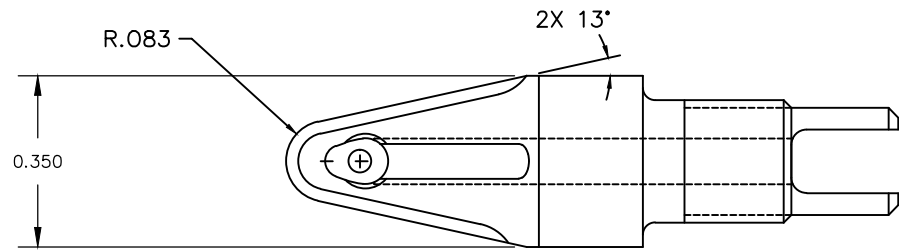



REVISIONS				
REV. SYM.	E.C.O. NUMBER	DESCRIPTION	BY DATE	APP'D DATE
2		ADDED NOSE DIMS	ENF 2/24/18	RRR 2/24/18



**UNCONTROLLED DOCUMENT
WILL NOT BE UPDATED**

MATERIAL	ITEM	PART NO.	QTY.	DESCRIPTION/REMARKS
	DRN.	J. JOYCE	DATE 5/16/04	 DANIELS MANUFACTURING CORP. ORLANDO, FLORIDA CAGE 11851
	CHKD.	RRR	DATE 5/16/04	
	APP'D.		DATE	
HEAT TREAT				TITLE NOSE ASSEMBLY, 3" $\phi.020$ SAFE-T-CABLE ENVELOPE DRAWING
FINISH	NOTE:		WHERE USED:	
	THIS DRAWING IS AN OUTLINE DRAWING OF THE RESPECTIVE DMC PART NUMBER INDICATED. ACTUAL DMC PART NUMBER IS DRAWING NUMBER WITHOUT THE "-ENV" SUFFIX.		SIZE C	SCALE NTS
			CAD P/N	SHEET OF
			POSTING	1 1
			DWG. NO.	REV.
			SCTN20-3-ENV	2