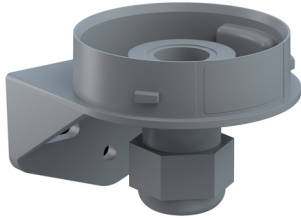


EvoSIGNAL / EvoSIGNAL Accessories

Mini elbow cable gland GY



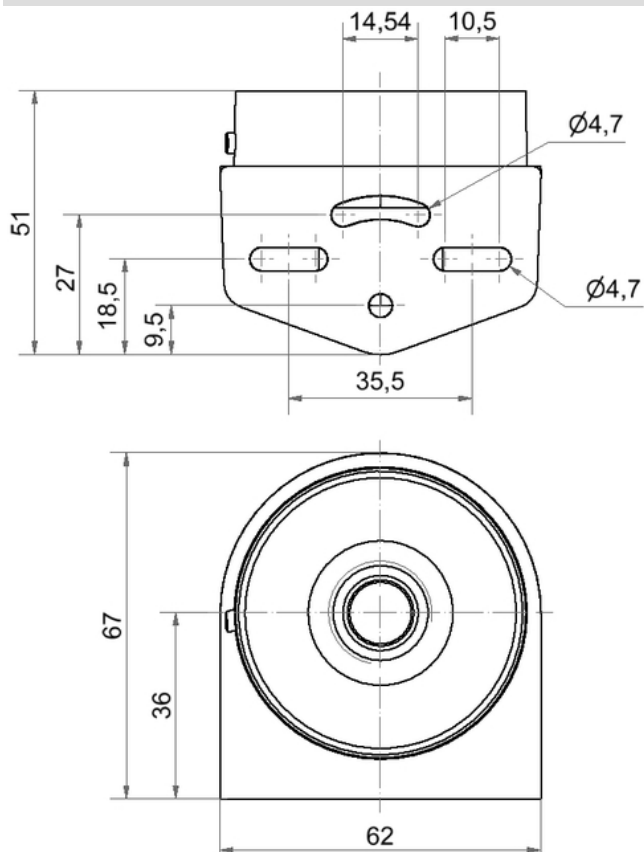
Part No.: 260.700.06

RoHS

MECHANICAL DATA	
Length	67 mm
Width	62 mm
Height	51 mm
Diameter	62 mm
Materials	PC/ABS
Housing colour	Gray
Protection category	IP66
Cable entry	Screwed cable gland
Cable entry minimum	d = 8 mm
Cable entry maximum	d = 12 mm
Tension relief	Present (conforms to VDI)
Type of fixing	Wall mounting
Working temperature minimum	-30°C
Working temperature maximum	+60°C
Weight with packaging	39 g
Product weight	35 g
ELECTRICAL DATA	
Pollution degree	3

! For additional installation and mounting information, refer to the appropriate user guide at www.werma.com. This printed copy is for information only and is subject to alteration.

EvoSIGNAL / EvoSIGNAL Accessories

Mini elbow cable gland GY**DRAWING**

For additional installation and mounting information, refer to the appropriate user guide at www.werma.com. This printed copy is for information only and is subject to alteration.