

EvoSIGNAL / EvoSIGNAL Accessories

## Maxi angle cable gland GY



|                  |                   |
|------------------|-------------------|
| <b>Part No.:</b> | <b>262.700.06</b> |
| <b>Series:</b>   | <b>EvoSIGNAL</b>  |

| MECHANICAL DATA             |                           |
|-----------------------------|---------------------------|
| Width                       | 120 mm                    |
| Height                      | 74 mm                     |
| Materials                   | PC/ABS                    |
| Housing colour              | Grey                      |
| Protection category         | IP66                      |
| Cable entry                 | Screwed cable gland       |
| Cable entry minimum         | d = 8 mm                  |
| Cable entry maximum         | d = 12 mm                 |
| Tension relief              | Present (conforms to VDE) |
| Type of fixing              | Wall mounting             |
| Working temperature minimum | -30°C                     |
| Working temperature maximum | +60°C                     |
| Weight with packaging       | 122 g                     |
| Product weight              | 122 g                     |

| ELECTRICAL DATA  |   |
|------------------|---|
| Pollution degree | 3 |

| APPROVAL DATA                 |    |
|-------------------------------|----|
| Conforms with CE              | No |
| WEEE                          | No |
| Conforms with ATEX-directive  | No |
| Conforms with CCC             | No |
| Conforms with UL              | No |
| Conforms with FCC             | No |
| Conforms with IC              | No |
| EAC certificate available     | No |
| Conforms with UKCA (Importer) | No |
| Conforms with AS-I            | No |
| ICAO Certification            | No |
| Conforms with DNV             | No |
| Conforms with RoHS CN         | No |
| Conforms with VdS             | No |

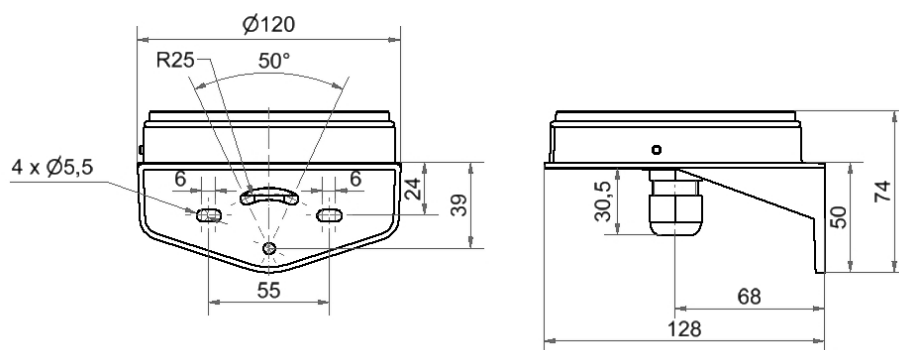


For additional installation and mounting information, refer to the appropriate user guide at [www.werma.com](http://www.werma.com). This printed copy is for information only and is subject to alteration.

EvoSIGNAL / EvoSIGNAL Accessories

**Maxi angle cable gland GY**

**DRAWING**



For additional installation and mounting information, refer to the appropriate user guide at [www.werma.com](http://www.werma.com). This printed copy is for information only and is subject to alteration.