

Mini Combination / Flash/Multi-Tone Sounder Combination 421
Flash/Sounder BM 8 tne 24VAC/DC YE


Part No.: 421.320.75

**MECHANICAL DATA**

Width	91 mm
Height	101 mm
Diameter	89 mm
Materials	PC
Dome colour	Yellow
Housing colour	Black
Protection category	IP65
Connection	Screw terminals
cross-sectional area maximum	1,50mm ² / 16AWG
Cable entry	Membrane grommet
Cable entry minimum	d = 1 mm
Cable entry maximum	d = 9 mm
Tension relief	Pull-out protection
Type of fixing	Base mounting
Service life optical	4 million flashes minimum
Acoustic service life	5,000 h minimum
Working temperature minimum	-20°C
Working temperature maximum	+50°C
Weight with packaging	154 g
Product weight	119 g

ELECTRICAL DATA

Operating voltage	24V
Operating voltage type	AC/DC
Operating voltage type	50Hz
Operating voltage tolerance	+/- 10%
Rated operational voltage	24 VDC
Rated operational current	120 mA
Rated inrush current	1.000 mA
Protection class	Protection class 2
Pollution degree	3

OPTICAL DATA

Light source	Xenon
Light colour	Yellow
Optical signal image	Flash
Flash frequency	1 Hz
Flash output	1 J

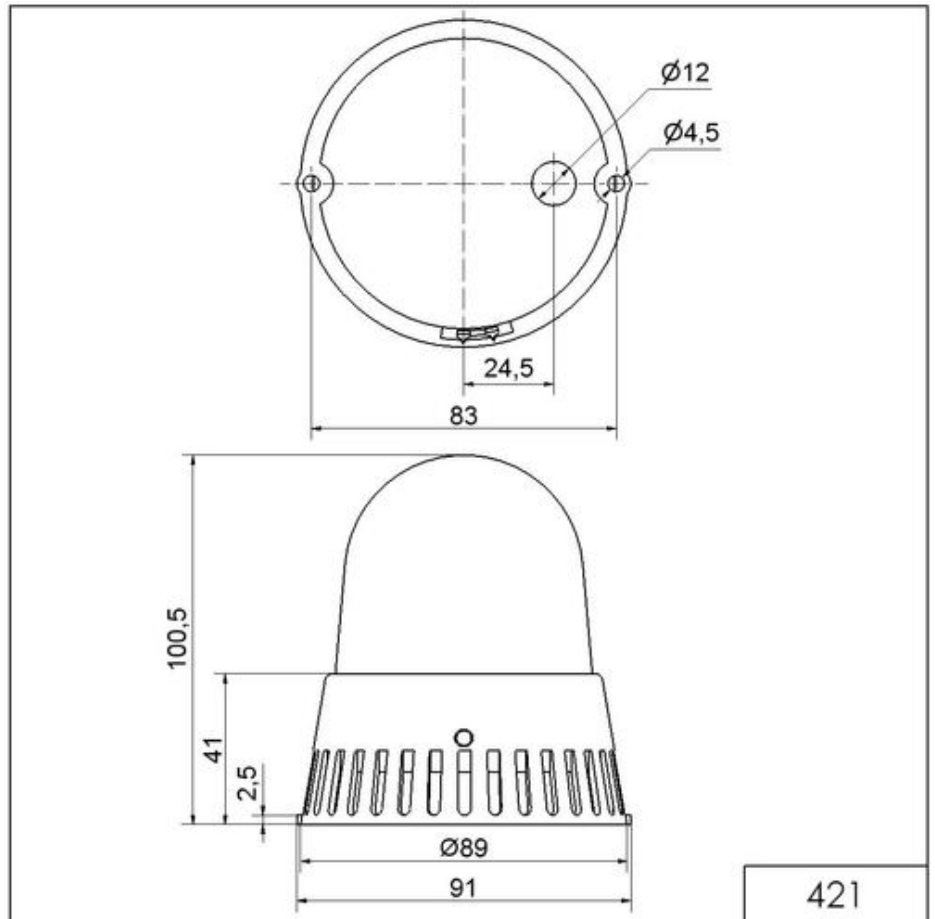


For additional installation and mounting information, refer to the appropriate user guide at www.werma.com. This printed copy is for information only and is subject to alteration.

Mini Combination / Flash/Multi-Tone Sounder Combination 421
Flash/Sounder BM 8 tne 24VAC/DC YE

ACUSTICAL DATA	
Volume/dB(max) at 1m distance	105 dB(A)
Acoustic signal image	Multi-tone
Number of tones	8 tone

DRAWING



For additional installation and mounting information, refer to the appropriate user guide at www.werma.com. This printed copy is for information only and is subject to alteration.