

Mini / Flash/Buzzer 423

Buzzer/Flash WM Contin/pulse 24VAC/DC RD

Part No.: 423.110.75

**MECHANICAL DATA**

| | |
|------------------------------|-----------------------------|
| Height | 121 mm |
| Diameter | 83 mm |
| Materials | PC |
| Dome colour | Red |
| Housing colour | Grey |
| Protection category | IP65 |
| Connection | Screw terminals |
| cross-sectional area maximum | 1,50mm ² / 16AWG |
| Cable entry | Membrane grommet |
| Cable entry minimum | d = 1 mm |
| Cable entry maximum | d = 9 mm |
| Tension relief | Pull-out protection |
| Type of fixing | Wall mounting |
| Working temperature minimum | -20°C |
| Working temperature maximum | +50°C |
| Weight with packaging | 173 g |
| Product weight | 142 g |

ELECTRICAL DATA

| | |
|-----------------------------|--------------------|
| Operating voltage | 24V |
| Operating voltage type | AC/DC |
| Operating voltage frequency | 50Hz |
| Operating voltage tolerance | +/- 10% |
| Rated operational voltage | 24 VDC |
| Rated operational current | 120 mA |
| Rated inrush current | 120 mA |
| Protection class | Protection class 2 |
| Pollution degree | 3 |

OPTICAL DATA

| | |
|----------------------|---------------------------|
| Light source | Xenon |
| Light colour | Red |
| Optical signal image | Flash |
| Flash frequency | 1 Hz |
| Flash output | 1 J |
| Service life optical | 4 million flashes minimum |

ACOUSTIC DATA

| | |
|-----------------------------|-------------|
| Volume (max) at 1m distance | 92,0 dB (A) |
|-----------------------------|-------------|



For additional installation and mounting information, refer to the appropriate user guide at www.werma.com. This printed copy is for information only and is subject to alteration.

Mini / Flash/Buzzer 423

Buzzer/Flash WM Contin/pulse 24VAC/DC RD

| | |
|-----------------------|-------------------------------|
| Acoustic signal image | Continuous tone Pulse tone |
| Audio frequency | 2300 Hz |
| Acoustic service life | 5,000 h minimum |

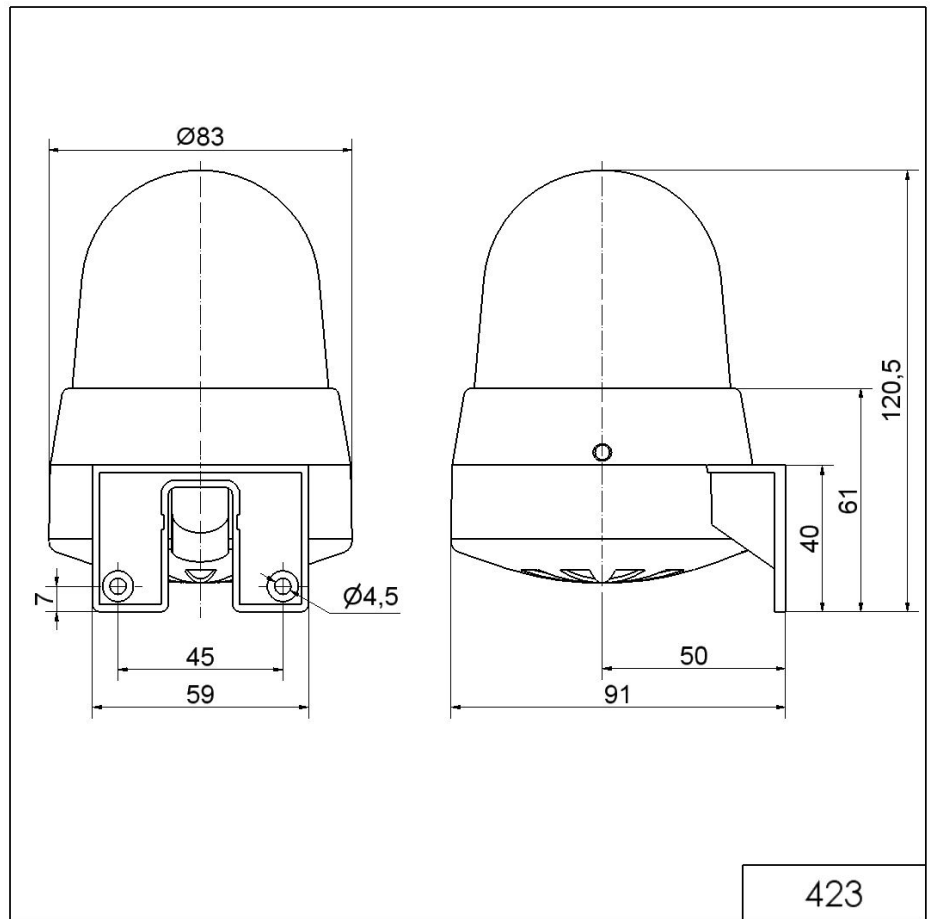
| APPROVAL DATA | |
|-------------------------------|-----------------------|
| Conforms with CE | Yes |
| WEEE | Yes |
| Conforms with ATEX-directive | No |
| Conforms with CCC | No |
| Conforms with UL | No |
| Conforms with FCC | No |
| Conforms with IC | No |
| EAC certificate available | Yes |
| Conforms with UKCA (Importer) | Yes (WERMA (UK) Ltd.) |
| Conforms with AS-I | No |
| ICAO Certification | No |
| Conforms with DNV | No |
| Conforms with RoHS CN | No |
| Conforms with VdS | No |

! For additional installation and mounting information, refer to the appropriate user guide at www.werma.com. This printed copy is for information only and is subject to alteration.

Mini / Flash/Buzzer 423

Buzzer/Flash WM Contin/pulse 24VAC/DC RD

DRAWING



! For additional installation and mounting information, refer to the appropriate user guide at www.werma.com. This printed copy is for information only and is subject to alteration.