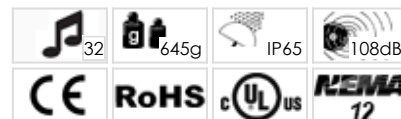


Combination LED-Beacon/Multi-t. sounder / LED/Multi-Tone Sounder
Combination 432

LED Siren WM 32 tne 24VAC/DC RD



Part No.: 432.100.75



MECHANICAL DATA

Length	144 mm
Width	134 mm
Height	235 mm
Diameter	134 mm
Materials	PC PC/ABS
Cap colour	Red
Housing colour	Gray
Protection category	IP65
Connection	Screw terminals
cross-sectional area maximum	1,50mm ² / 16AWG
Cable entry	Membrane grommet
Cable entry minimum	d = 1 mm
Cable entry maximum	d = 13 mm
Tension relief	Present (conforms to VDI)
Type of fixing	Wall mounting
Service life optical	50,000 h maximum
Acoustic service life	5,000 h minimum
Working temperature minimum	-30°C
Working temperature maximum	+50°C
Weight with packaging in g	645 g
Product weight in g	500 g

ELECTRICAL DATA

Voltage	24V
voltage type	AC/DC
Total current consumption	420 mA mA
Starting current	300 mA mA

OPTICAL DATA

Light source	LED
Light colour	Red
Optical signal image	Permanent

ACUSTICAL DATA

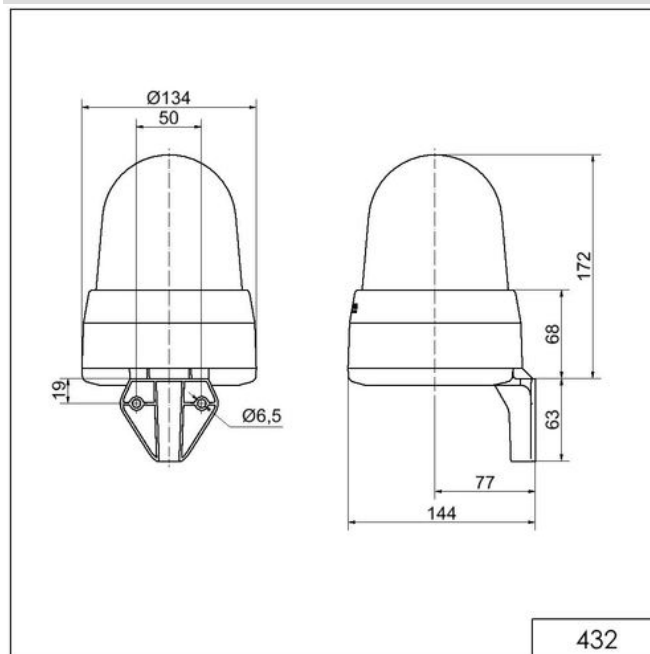
Volume/dB(max) at 1m distance	108 dB
Acoustic signal image	Multi-tone

! For additional installation and mounting instructions, refer to the appropriate user guide at www.werma.com. This printed copy is for information only and is subject to alteration.

Combination LED-Beacon/Multi-t. sounder / LED/Multi-Tone Sounder
Combination 432

LED Siren WM 32 tne 24VAC/DC RD

DRAWING



For additional installation and mounting information, refer to the appropriate user guide at www.werma.com. This printed copy is for information only and is subject to alteration.