

Midi Combination / Combination LED/Flash/EVS/Horn 435

**LED Horn WM Contin. tone 10-48VAC/DC RD**

Part No.: 435.100.70



MECHANICAL DATA	
Length	144 mm
Width	134 mm
Height	407 mm
Diameter	134 mm
Materials	PC PC/ABS
Dome colour	Red
Housing colour	Grey
Protection category	IP65
Connection	Screw terminals
cross-sectional area maximum	1,50mm <sup>2</sup> / 16AWG
Cable entry	Membrane grommet
Cable entry minimum	d = 1 mm
Cable entry maximum	d = 13 mm
Tension relief	Present (conforms to VDI)
Type of fixing	Wall mounting
Service life optical	50,000 h maximum
Acoustic service life	5,000 h minimum
Working temperature minimum	-30°C
Working temperature maximum	+50°C
UL Type Rating	Type 12
Weight with packaging	751 g
Product weight	629 g
ELECTRICAL DATA	
Operating voltage	10-48V
Operating voltage type	AC/DC
Operating voltage type	50Hz
Operating voltage tolerance	+/- 0%
Rated operational voltage	24 VDC
Rated operational current	740 mA
Rated inrush current	650 mA
Protection class	Protection class 2
Pollution degree	3
OPTICAL DATA	
Light source	LED
Light colour	Red

! For additional installation and mounting information, refer to the appropriate user guide at [www.werma.com](http://www.werma.com). This printed copy is for information only and is subject to alteration.

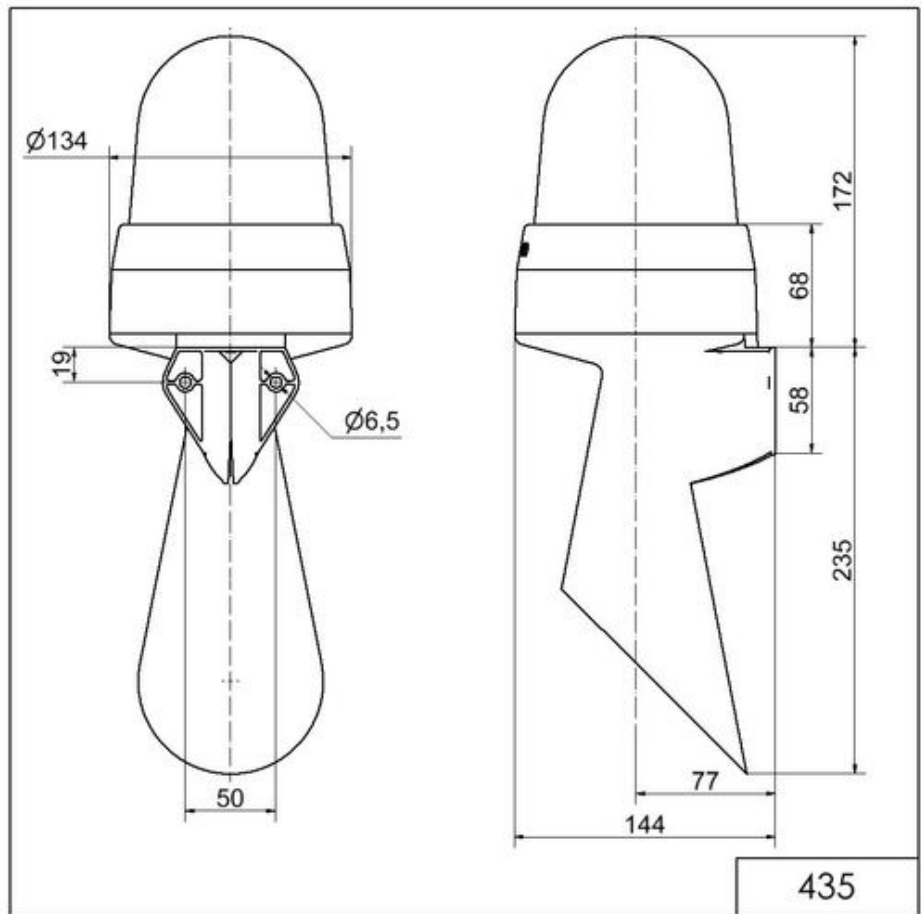
Midi Combination / Combination LED/Flash/EVS/Horn 435

**LED Horn WM Contin. tone 10-48VAC/DC RD**

Optical signal image	EVS Flash Permanent
----------------------	---------------------------

ACUSTICAL DATA	
Volume/dB(max) at 1m distance	108 dB(A)
Acoustic signal image	Continuous tone
Audio frequency	110 Hz

**DRAWING**



For additional installation and mounting information, refer to the appropriate user guide at [www.werma.com](http://www.werma.com). This printed copy is for information only and is subject to alteration.