

Heavy-Duty combination / Flash/Multi-Tone Sounder Combination 442
Flash/Sounder WM 42 tne 115-230VAC RD/YE



Part No.: 442.030.68



MECHANICAL DATA

Length	211 mm
Width	168 mm
Height	155 mm
Materials	PC/ABS
Cap colour	Yellow
Housing colour	Red
Protection category	IP66
Connection	Screw terminals
cross-sectional area minimum	0,25mm ² / 24AWG
cross-sectional area maximum	1,50mm ² / 16AWG
Cable entry	Screwed cable gland
Cable entry minimum	d = 8 mm
Cable entry maximum	d = 12 mm
Tension relief	Present (conforms to VDI)
Type of fixing	Wall mounting
Service life optical	50,000 h maximum
Acoustic service life	5,000 h minimum
Working temperature minimum	-25°C
Working temperature maximum	+75°C
Total weight in g	2300 g
Net weight in g	2200 g

ELECTRICAL DATA

Voltage	115-230V
voltage type	AC
Total current consumption	130 mA

OPTICAL DATA

Light source	Xenon
Light colour	Yellow
Optical signal image	Flash
Flash frequency	2 Hz
Flash output	3.5 J
Blink frequency (Hz)	2 Hz

ACUSTICAL DATA

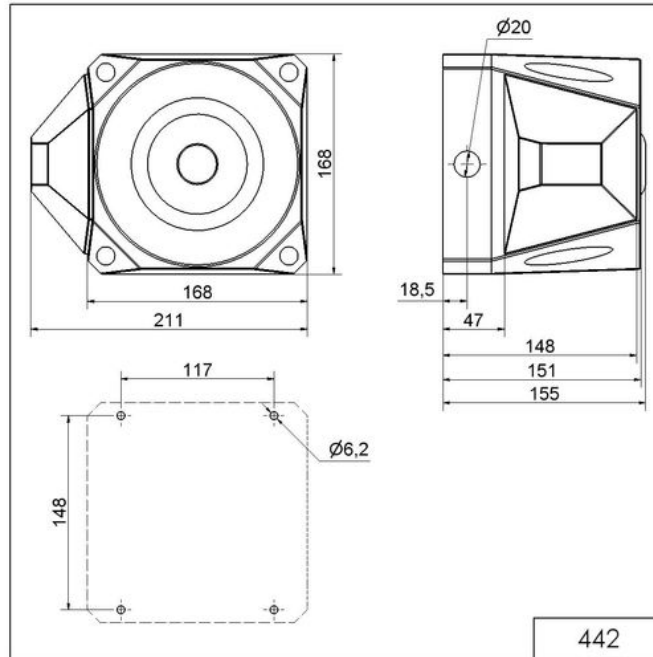
Volume/dB(max) at 1m distance	120 dB
-------------------------------	--------

! For additional installation and mounting information, refer to the appropriate user guide at www.werma.com. This printed copy is for information only and is subject to alteration.

Heavy-Duty combination / Flash/Multi-Tone Sounder Combination 442
Flash/Sounder WM 42 tne 115-230VAC RD/YE

Acoustic signal image	Multi-tone
Number of tones	42 tone

DRAWING



! For additional installation and mounting information, refer to the appropriate user guide at www.werma.com. This printed copy is for information only and is subject to alteration.