

Electromechanical Audible Signal Devices / Signal Horn 570
Signal horn WM Contin. tone 230VAC GY



Part No.: 570.052.68

 1038g	 IP55	 108dB	 CE
RoHS			

MECHANICAL DATA	
Length	152 mm
Height	350 mm
Diameter	148 mm
Materials	PC/ABS
Housing colour	Gray
Protection category	IP55
Connection	Screw terminals
cross-sectional area maximum	2,50mm ² / 14AWG
Cable entry	Through hole
Cable entry maximum	d = 10 mm
Type of fixing	Wall mounting
Service life optical	250 h minimum
Acoustic service life	250 h minimum
Working temperature minimum	-20°C
Working temperature maximum	+60°C
Total weight in g	1038 g
Net weight in g	860 g
ELECTRICAL DATA	
Voltage	230V
voltage type	AC
Total current consumption	70 mA
ACUSTICAL DATA	
Volume/dB(max) at 1m distance	108 dB
Acoustic signal image	Continuous tone

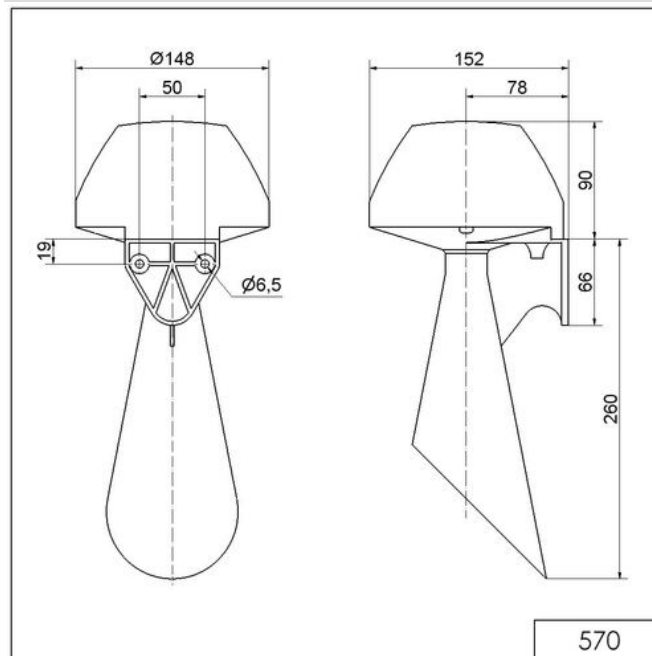


For additional installation and mounting information, refer to the appropriate user guide at www.werma.com. This printed copy is for information only and is subject to alteration.

Electromechanical Audible Signal Devices / Signal Horn 570

Signal horn WM Contin. tone 230VAC GY

DRAWING



! For additional installation and mounting information, refer to the appropriate user guide at www.werma.com. This printed copy is for information only and is subject to alteration.