

Electromechanical Audible Signal Devices / Horn for bracket mounting 574/575
Signal horn WM Contin. tone 24VAC/DC GY



Part No.: 574.000.75



MECHANICAL DATA

Height	340 mm
Diameter	134 mm
Materials	PC/ABS
Housing colour	Gray
Protection category	IP65
Connection	Screw terminals
cross-sectional area maximum	1,50mm ² / 16AWG
Cable entry	Membrane grommet
Cable entry minimum	d = 1 mm
Cable entry maximum	d = 13 mm
Type of fixing	Wall mounting
Service life optical	5,000 h minimum
Acoustic service life	5,000 h minimum
Working temperature minimum	-30°C
Working temperature maximum	+50°C
Total weight in g	620 g
Net weight in g	500 g

ELECTRICAL DATA

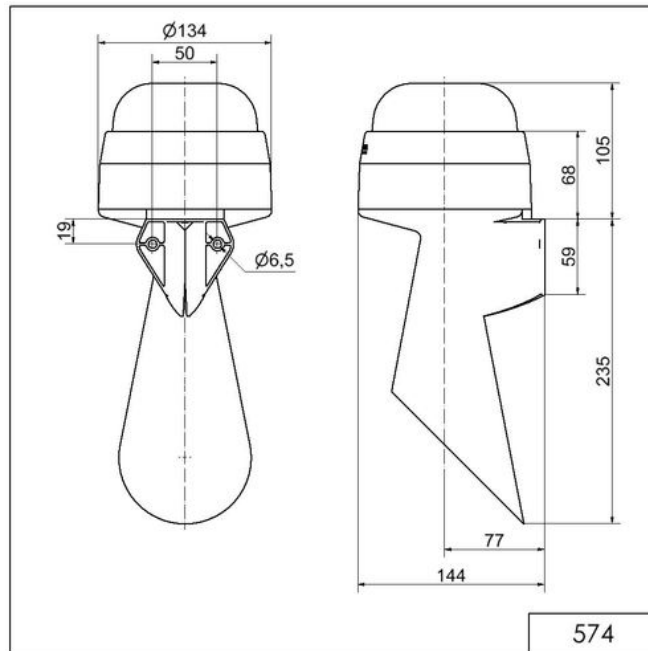
Voltage	24V
voltage type	AC/DC
Total current consumption	55 mA
Starting current	200 mA

ACUSTICAL DATA

Volume/dB(max) at 1m distance	108 dB
Acoustic signal image	Continuous tone
Audio frequency	110 Hz

! For additional installation and mounting information, refer to the appropriate user guide at www.werma.com. This printed copy is for information only and is subject to alteration.

Electromechanical Audible Signal Devices / Horn for bracket mounting 574/575
Signal horn WM Contin. tone 24VAC/DC GY

DRAWING

For additional installation and mounting information, refer to the appropriate user guide at www.werma.com. This printed copy is for information only and is subject to alteration.