

Signal tower / Pre-assembled Signal Tower
SignalSET Wireless



Part No.:	649.191.01
Series:	KombiSIGN 72



MECHANICAL DATA	
Materials	Aluminium PA-GF PC PMMA
Dome colour	Green Red
Housing colour	Black Silver White
Protection category	IP30
Cable entry	Through hole
Cable entry minimum	d = 12 mm
Tension relief	Not present
Type of fixing	Special version
Working temperature minimum	0°C
Working temperature maximum	+40°C
Weight with packaging	2000 g
Product weight	1550 g

ELECTRICAL DATA	
Operating voltage	230V
Operating voltage type	AC
Operating voltage frequency	50Hz
Operating voltage tolerance	+/- 10%
Rated operational current	1000 mA
Protection class	Protection class 2
Pollution degree	2
Isolation voltage	Ui = 250V; Uimp = 2.500V

OPTICAL DATA	
Light source	LED
Light colour	Green Red
Optical signal image	TwinLight
Service life optical	50,000 h maximum

APPROVAL DATA	
Conforms with CE	Yes
WEEE	Yes
Conforms with ATEX-directive	No
Conforms with CCC-Ex	No

! For additional installation and mounting information, refer to the appropriate user guide at www.werma.com. This printed copy is for information only and is subject to alteration.

Signal tower / Pre-assembled Signal Tower

SignalSET Wireless

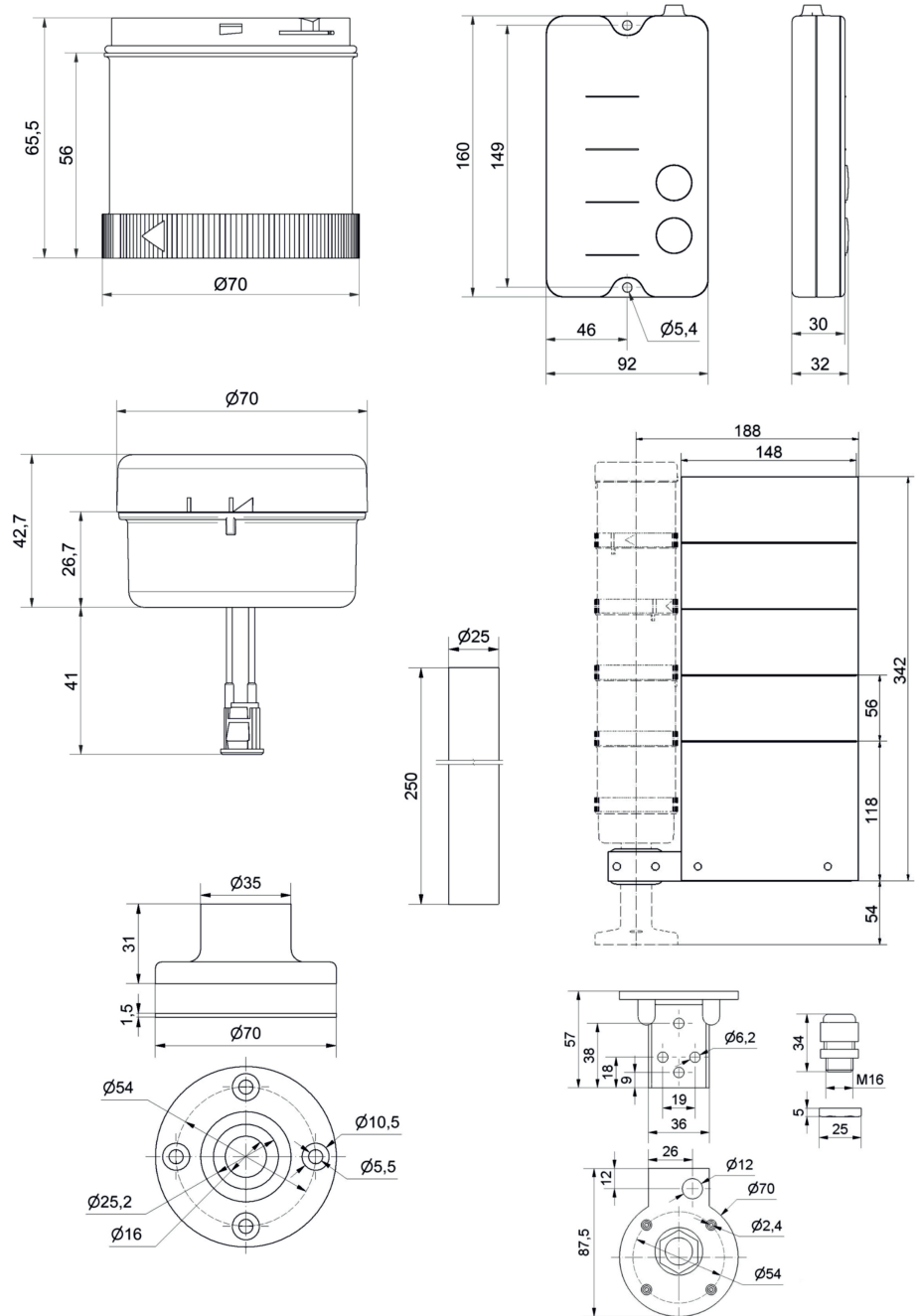
Conforms with CCC	No
Conforms with UL	No
Conforms with FCC	No
Conforms with IC	No
EAC certificate available	No
Conforms with UKCA (Importer)	No
Conforms with CMIM	No
Conforms with AS-I	No
Conforms with DNV	No
Conforms with RoHS CN	No
Conforms with VdS	No



For additional installation and mounting information, refer to the appropriate user guide at www.werma.com. This printed copy is for information only and is subject to alteration.

Signal tower / Pre-assembled Signal Tower
SignalSET Wireless

DRAWING



! For additional installation and mounting information, refer to the appropriate user guide at www.werma.com. This printed copy is for information only and is subject to alteration.