

## LED-Beacon / LED Installation Beacon 816 LED Perm. Beacon EM 24VDC MC



Part No.: 816.480.55



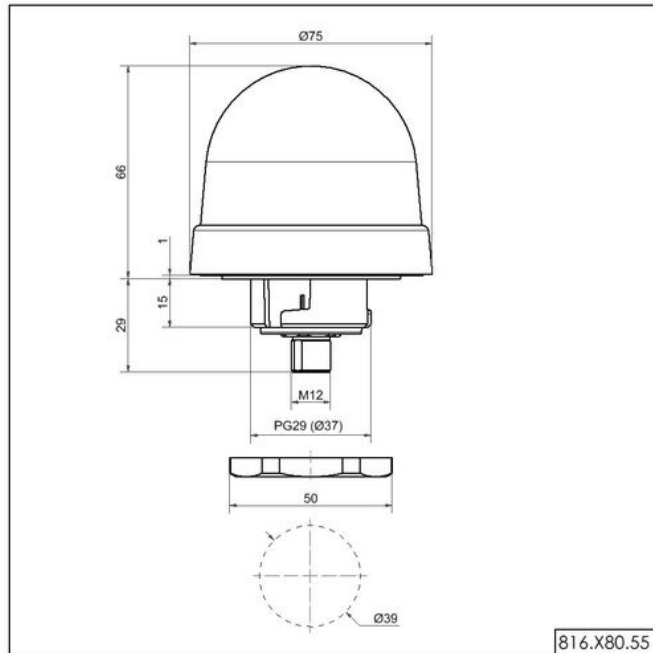
MECHANICAL DATA	
Height	97 mm
Diameter	75 mm
Materials	PC
Cap colour	Clear
Protection category	IP65
Connection	M12 plug 4-pole
Tension relief	Present (conforms to VDI)
Type of fixing	Built-in mounting
Service life optical	50,000 h maximum
Working temperature minimum	-20°C
Working temperature maximum	+50°C
Total weight in g	132 g
Net weight in g	110 g
ELECTRICAL DATA	
Voltage	24V
voltage type	DC
Total current consumption	120 mA
Starting current	500 mA
OPTICAL DATA	
Light source	LED
Light colour	Multicolour
Optical signal image	Duration



For additional installation and mounting information, refer to the appropriate user guide at [www.werma.com](http://www.werma.com). This printed copy is for information only and is subject to alteration.

LED-Beacon / LED Installation Beacon 816  
**LED Perm. Beacon EM 24VDC MC**

**DRAWING**



! For additional installation and mounting information, refer to the appropriate user guide at [www.werma.com](http://www.werma.com). This printed copy is for information only and is subject to alteration.