

LED-Beacon / LED Permanent-/ Blink-/ Revolving Light 829 LED Perm./Blink.Beacon BM 24VDC GN



Part No.: 829.200.55



MECHANICAL DATA	
Height	137 mm
Diameter	98 mm
Materials	PC PC/ABS
Cap colour	Green
Housing colour	Black
Protection category	IP65
Connection	Screw terminals
cross-sectional area maximum	2,50mm ² / 14AWG
Cable entry	Rubber pinch
Cable entry minimum	d = 5 mm
Cable entry maximum	d = 7 mm
Type of fixing	Base mounting
Service life optical	50,000 h maximum
Working temperature minimum	-20°C
Working temperature maximum	+50°C
Total weight in g	252 g
Net weight in g	157 g
ELECTRICAL DATA	
Voltage	24V
voltage type	DC
Total current consumption	150 mA
Starting current	500 mA
OPTICAL DATA	
Light source	LED
Light colour	Green
Optical signal image	Blink
Blink frequency (Hz)	1.5 Hz

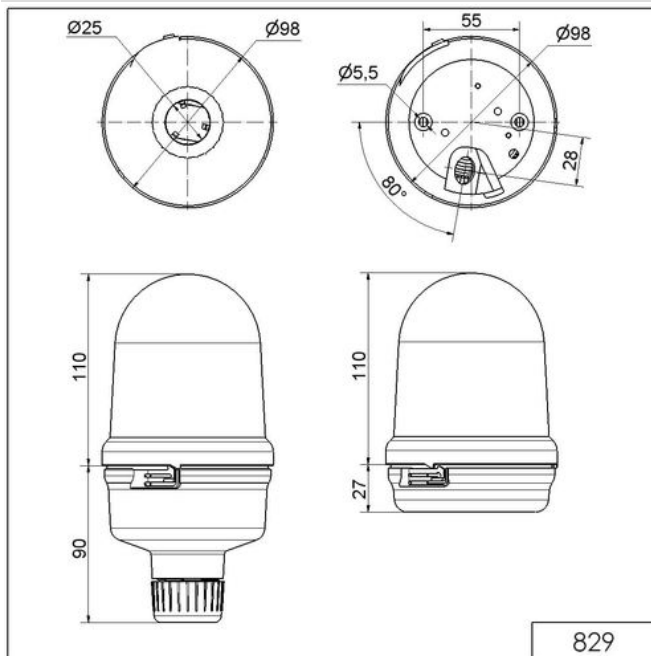


For additional installation and mounting information, refer to the appropriate user guide at www.werma.com. This printed copy is for information only and is subject to alteration.

LED-Beacon / LED Permanent-/ Blink-/ Revolving Light 829

LED Perm./Blink.Beacon BM 24VDC GN

DRAWING



! For additional installation and mounting information, refer to the appropriate user guide at www.werma.com. This printed copy is for information only and is subject to alteration.