

Heavy-Duty Beacons / LED Rotating Beacon  
**LED Rotating Beacon BM 24VDC YE**


Part No.: 839.320.55

**MECHANICAL DATA**

|                              |                             |
|------------------------------|-----------------------------|
| Height                       | 189 mm                      |
| Diameter                     | 153 mm                      |
| Materials                    | Aluminium<br>PC             |
| Dome colour                  | Yellow                      |
| Housing colour               | Black                       |
| Protection category          | IP66<br>IP67                |
| Connection                   | Screw terminals             |
| cross-sectional area maximum | 1,50mm <sup>2</sup> / 16AWG |
| Cable entry                  | Screwed cable gland         |
| Cable entry minimum          | d = 6 mm                    |
| Cable entry maximum          | d = 13 mm                   |
| Tension relief               | Present (conforms to VDE)   |
| Type of fixing               | Base mounting               |
| Working temperature minimum  | -30°C                       |
| Working temperature maximum  | +50°C                       |
| Weight with packaging        | 1378 g                      |
| Product weight               | 1228 g                      |

**ELECTRICAL DATA**

|                             |                    |
|-----------------------------|--------------------|
| Operating voltage           | 24V                |
| Operating voltage type      | DC                 |
| Operating voltage tolerance | +/- 10%            |
| Rated operational voltage   | 24 VDC             |
| Rated operational current   | 150 mA             |
| Rated inrush current        | 500 mA             |
| Protection class            | Protection class 1 |
| Pollution degree            | 3                  |

**OPTICAL DATA**

|                      |                  |
|----------------------|------------------|
| Light source         | LED              |
| Light colour         | Yellow           |
| Optical signal image | Revolving        |
| Service life optical | 50,000 h maximum |
| Rotation speed (rpm) | 180 U/min        |

**APPROVAL DATA**

|                  |     |
|------------------|-----|
| Conforms with CE | Yes |
| WEEE             | Yes |

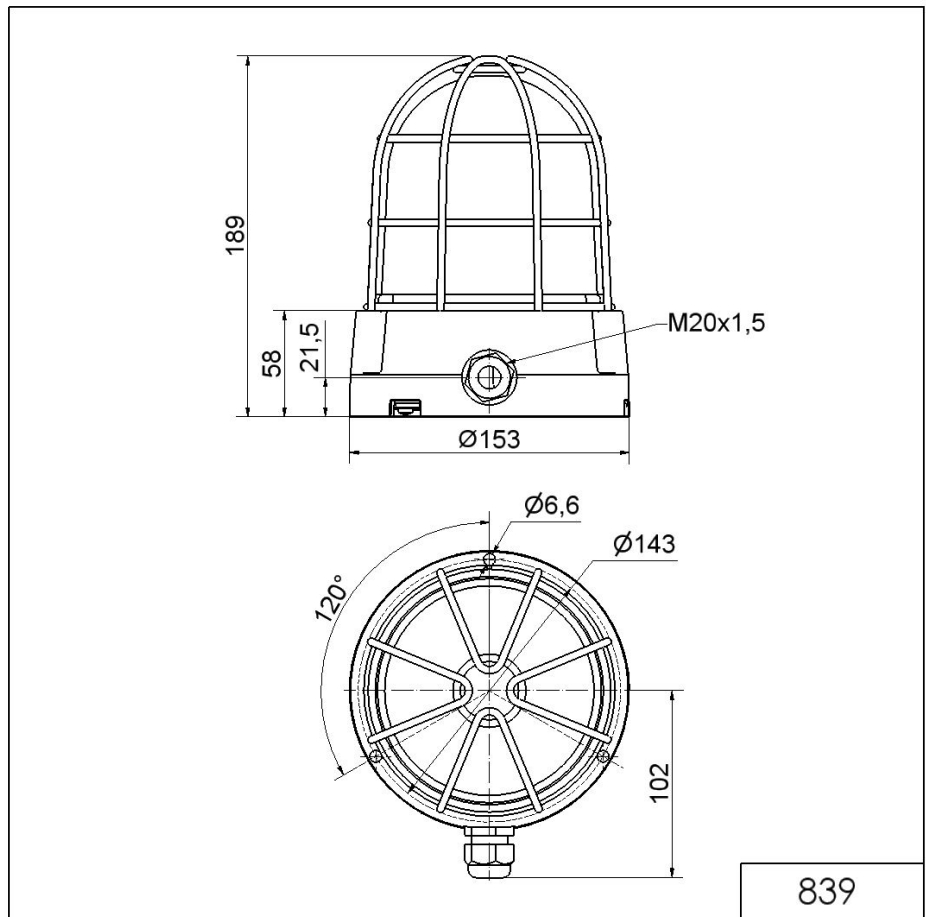


For additional installation and mounting information, refer to the appropriate user guide at [www.werma.com](http://www.werma.com). This printed copy is for information only and is subject to alteration.

Heavy-Duty Beacons / LED Rotating Beacon  
**LED Rotating Beacon BM 24VDC YE**

|                               |                       |
|-------------------------------|-----------------------|
| Conforms with ATEX-directive  | No                    |
| Conforms with CCC             | No                    |
| Conforms with UL              | No                    |
| Conforms with FCC             | No                    |
| Conforms with IC              | No                    |
| EAC certificate available     | Yes                   |
| Conforms with UKCA (Importer) | Yes (WERMA (UK) Ltd.) |
| Conforms with AS-I            | No                    |
| ICAO Certification            | No                    |
| Conforms with DNV             | No                    |
| Conforms with RoHS CN         | No                    |
| Conforms with VdS             | No                    |

**DRAWING**



! For additional installation and mounting information, refer to the appropriate user guide at [www.werma.com](http://www.werma.com). This printed copy is for information only and is subject to alteration.