

KombiSIGN 70 / Audible Devices 844

Vocal element 24VDC BK

Part No.:	844.860.55
Series:	KombiSIGN 70

**MECHANICAL DATA**

Height	118 mm
Diameter	125 mm
Materials	PC PC/ABS
Housing colour	Black
Protection category	IP54
Tension relief	Not present
Working temperature minimum	-20°C
Working temperature maximum	+50°C
Weight with packaging	786 g
Product weight	692 g

ELECTRICAL DATA

Operating voltage	24V
Operating voltage type	DC
Operating voltage tolerance	+/- 10%
Rated operational voltage	24 VDC
Rated operational current	400 mA
Rated inrush current	500 mA
Protection class	Protection class 2
Pollution degree	3

OPTICAL DATA

Service life optical	5,000 h minimum
----------------------	-----------------

ACOUSTIC DATA

Volume (max) at 1m distance	102,0 dB (A)
Volume adjustable	Potentiometer
Volume adjustment range	10-100%
Acoustic service life	5,000 h minimum

APPROVAL DATA

Conforms with CE	Yes
WEEE	Yes
Conforms with ATEX-directive	No
Conforms with CCC	No
Conforms with UL	No
Conforms with FCC	No
Conforms with IC	No
EAC certificate available	Yes



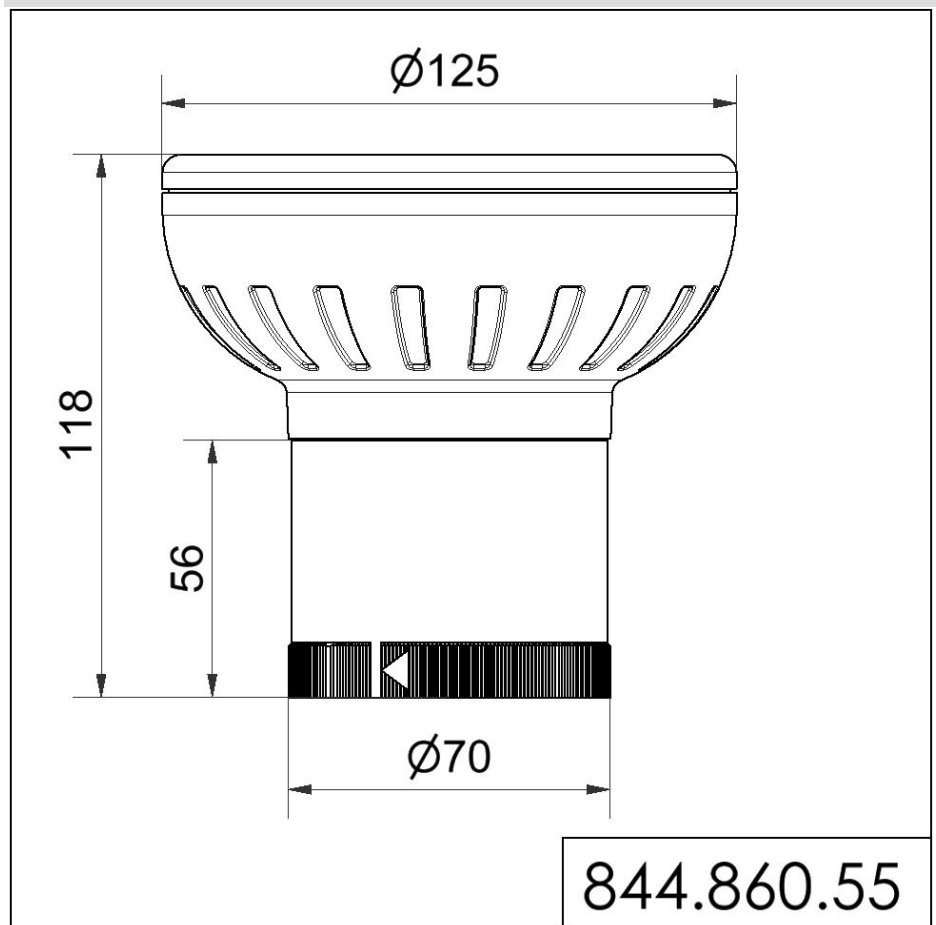
For additional installation and mounting information, refer to the appropriate user guide at www.werma.com. This printed copy is for information only and is subject to alteration.

KombiSIGN 70 / Audible Devices 844

Vocal element 24VDC BK

Conforms with UKCA (Importer)	Yes (WERMA (UK) Ltd.)
Conforms with CMIM	No
Conforms with AS-I	No
ICAO Certification	No
Conforms with DNV	No
Conforms with RoHS CN	No
Conforms with VdS	No

DRAWING



! For additional installation and mounting information, refer to the appropriate user guide at www.werma.com. This printed copy is for information only and is subject to alteration.