

KombiSIGN 40 / Accessories

Bracket assembly on profiling WM BK**Part No.:** 960.630.02**MECHANICAL DATA**

Length	70 mm
Width	41 mm
Height	57 mm
Materials	PC/ABS
Housing colour	Black
Protection category	IP66 IP69K
Cable entry minimum	d = 3 mm
Cable entry maximum	d = 6 mm
Weight with packaging	27 g
Product weight	27 g

APPROVAL DATA

Conforms with CE	No
WEEE	No
Conforms with ATEX-directive	No
Conforms with CCC	No
Conforms with UL	No
Conforms with FCC	No
Conforms with IC	No
EAC certificate available	No
Conforms with UKCA (Importer)	No
Conforms with AS-I	No
ICAO Certification	No
Conforms with DNV	No
Conforms with RoHS CN	No

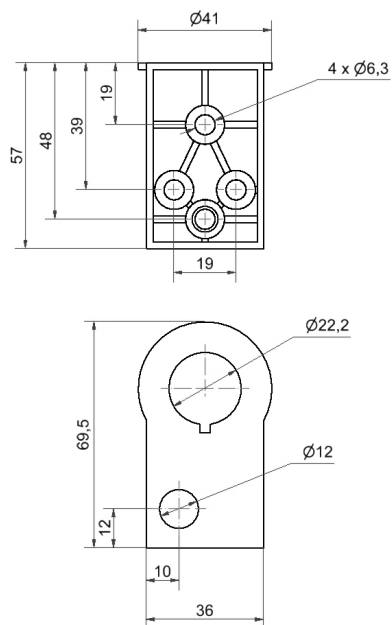


For additional installation and mounting information, refer to the appropriate user guide at www.werma.com. This printed copy is for information only and is subject to alteration.

KombiSIGN 40 / Accessories

Bracket assembly on profiling WM BK

DRAWING



! For additional installation and mounting information, refer to the appropriate user guide at www.werma.com. This printed copy is for information only and is subject to alteration.